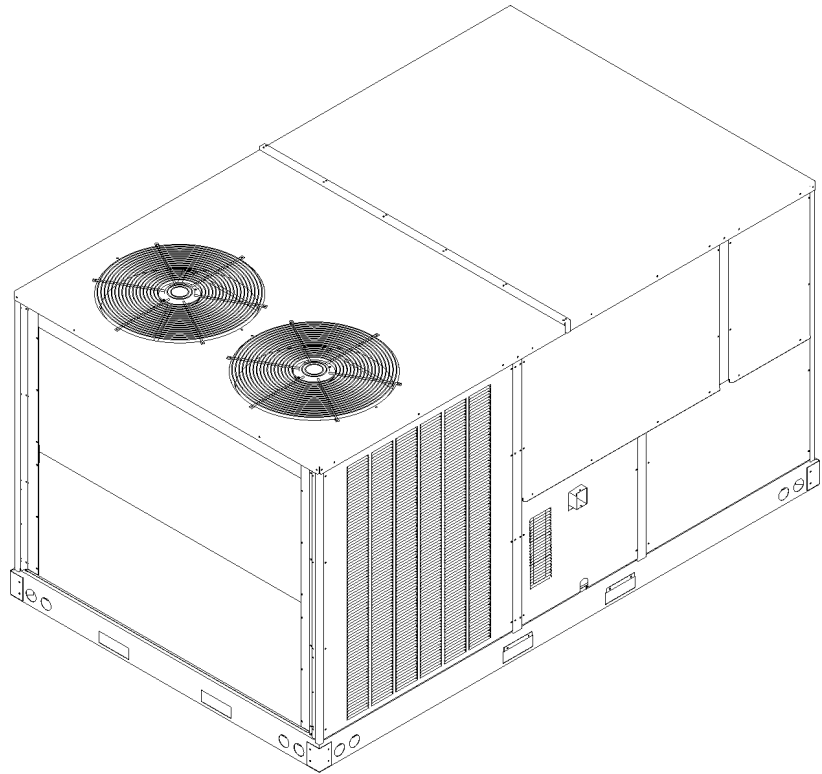


# REPAIR PARTS

---

## Commercial 7.5 Ton Package Gas Units

CPG0902103BAABBB  
CPG0902103BAAVBB  
CPG0902103BAAWBB  
CPG0902103BAAXBB  
CPG0902103BASMBB  
CPG0902103BJANBB  
CPG0902103HAABBB  
CPG0902103HAAXBB  
CPG0902104BAXXBB  
CPG0902104BHXXZBB  
CPG0902104BJANBB  
CPG0902104HXXXBB  
CPG0902107BASFBB  
CPG0902107HAAXBB  
CPG0902107HAXXBB



This manual is to be used by qualified technicians only.

This manual replaces RP-725C.

© 2012-2013, 2016 Goodman Manufacturing Company, L.P. ♦ 5151 San Felipe St., Suite 500 ♦ Houston, TX 77056

# Important Information

---

## Index

Functional Parts List .....	3
Illustration and Parts .....	4 - 19

*Views shown are for parts illustrations only, not servicing procedures*

### Text Codes:

AR - As Required

NA - Not Available

NS - Not Shown

00000000 - See Note

QTY - Quantity Example (QTY 3) (If Quantity not shown, Quantity = 1)

M - Model Example (M1) (If M Code not shown, then part is used on all Models)

### Expanded Model Nomenclature:

Example M1 - Model#1 M2 - Model#2 M3 - Model#3
---

Goodman Manufacturing Company, L.P. is not responsible for personal injury or property damage resulting from improper service. Review all service information before beginning repairs.

Warranty service must be performed by an authorized technician, using authorized factory parts. If service is required after the warranty expires, Goodman Manufacturing Company, L.P. also recommends contacting an authorized technician and using authorized factory parts.

Goodman Manufacturing Company, L.P. reserves the right to discontinue, or change at any time, specifications or designs without notice or without incurring obligations.

For assistance within the U.S.A. contact:  
Consumer Affairs Department  
Goodman Manufacturing Company, L.P.  
7401 Security Way  
Houston, Texas 77040  
877-254-4729-Telephone  
713-863-2382-Facsimile

For assistance outside the U.S.A. contact:  
International Division  
Goodman Manufacturing Company, L.P.  
7401 Security Way  
Houston, Texas 77040  
713-861-2500-Telephone  
713-863-2382-Facsimile

# Functional Parts

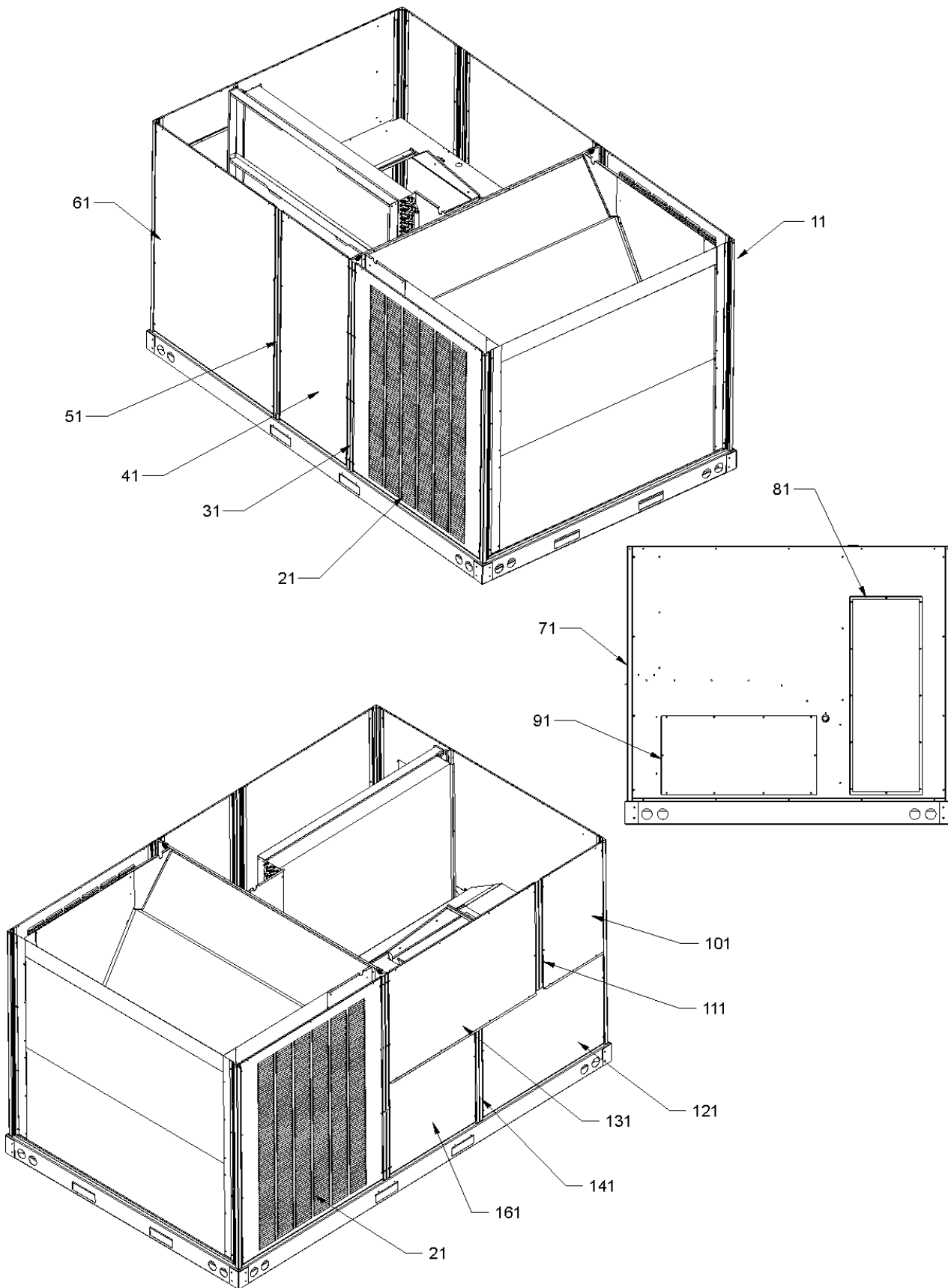
**Part No:**            **Description:**

Part No:	Description:	Expanded Model Nomenclature
0130M00025	24V RELAY	M1 - CPG0902103BAABBB
B3240007	BELT DRIVE MOTOR 1.5 HP (M1, M2, M3, M4, M5, M6, M7, M8, M9, M10, M11, M12)	M2 - CPG0902103BAAVBB
0131L00004	BELT DRIVE MOTOR 1.5 HP 575V (M13, M14, M15)	M3 - CPG0902103BAAWBB
CAP050000370VA	CAPACITOR 5/370V (QTY 2)	M4 - CPG0902103BAAXB
ZP39K5ETF5130	COMPRESSOR 39000, 200/230/60/3 (M1, M2, M3, M4, M5, M6, M7, M8)	M5 - CPG0902103BASMBB
ZP39K5ETFD130	COMPRESSOR 39000, 460/60/3 (M9, M10, M11, M12)	M6 - CPG0902103BJANBB
ZP39K5ETFE130	COMPRESSOR 39000, 575/60/3 (M13, M14, M15)	M7 - CPG0902103HAABBB
0131M00007P	COND MOTOR 1/4 HP, 1 SP, 6 PL (M1, M2, M3, M4, M5, M6, M7, M8)	M8 - CPG0902103HAAXB
B13400269	COND MOTOR 380/460 50/60 CYCLE (M9, M10, M11, M12)	M9 - CPG0902104BAXXBB
0131M00098	COND MOTOR 575V (M13, M14, M15)	M10 - CPG0902104BHXZBB
CONT3P025024V	CONTACTOR 25 AMP, 3P, 24V (QTY 3)	M11 - CPG0902104BJANBB
0130M00031	CUT-OUT SWITCH, HIGH PRESSURE	M12 - CPG0902104HXXXBB
0130M00030	CUT-OUT SWITCH, HIGH PRESSURE	M13 - CPG0902107BASFB
0130L00003	CUT-OUT SWITCH, LOW PRESSURE	M14 - CPG0902107HAAXB
0130L00002	CUT-OUT SWITCH, LOW PRESSURE	M15 - CPG0902107HAXXBB
0150G00001	FAN BLADE (QTY 2)	
0130F00010	FLAME SENSOR	
0151L00000	GAS VALVE (36H)	
PCBAG123	IGNITION BOARD, DSI INTEGRATED	
20261709	IGNITOR	
10123532	MANUAL RESET LIMIT 350°F	
0164L00001	NOTCHED FAN BELT AX49 (M7, M8, M12, M14, M15)	
0164L00000	NOTCHED FAN BELT AX51 (M7, M8, M12, M14, M15)	
11112501	PRESSURE SWITCH	
0130F00036	PRIMARY LIMIT - PINK	
B1370199	PRIMARY LIMIT SWITCH 190°F	
B1141663	TRANSFORMER 460V TO 230V, 150 VA (M9, M10, M11, M12)	
B1141653	TRANSFORMER 480V, 75VA, RESETTABLE (M9, M10, M11, M12)	
B1141672	TRANSFORMER 480V, 75VA, RESETTABLE (M1, M2, M3, M4, M5, M6, M7, M8)	
0130M00044	TRANSFORMER 575/230V (M13, M14, M15)	
0130M00045	TRANSFORMER 575/24V (M13, M14, M15)	
0131L00002	VENT MOTOR	

**SPECIAL PARTS**

B1369608            AIR FILTER 20 X 16 X 2 (QTY 4)

# Cabinet Assy



# Cabinet Assy

Ref. Part No: No:	Description:	Ref. Part No: No:	Description:
-------------------	--------------	-------------------	--------------

---

**Image 1:**

11	0121L00065RFDG	CORNER POST (QTY 4)
21	0121L00511DG	LOUVERED SIDE PANEL (QTY 2)
31	0121L00738RFDG	PNT, ROLL FORM SIDE POST (QTY 2)
41	0270L00272	INSUL FILTER DOOR ASSY
51	0121L00739RFDG	PNT, RFORM, FILTER DOOR POST
61	0270L00175	INSULATED ASSY, ECONOMIZER DOOR
71	0270L00180	INSULATED ASSY, DUCT PANEL
81	0270L00041	INSULATED ASSY, SUPPLY DUCT
91	0270L00040	INSULATED ASSY, RETURN DUCT
101	0121L00764DG	PNT, DOOR, CONTROL
111	0121L00762RFDG	POST-CONTROL DOOR
121	0270L00299	INSUL HEAT EXCH DOOR ASSY
131	0270L00298	INSUL BLWR DOOR ASSY
141	0121L00765RFDG	POST-BURNER DOOR
161	0270L00300	BURNER DOOR ASSY
NS	0121L00129	DOOR RAIN SHIELD

**Expanded Model Nomenclature**

- M1 - CPG0902103BAABBB
- M2 - CPG0902103BAAVBB
- M3 - CPG0902103BAAWBB
- M4 - CPG0902103BAAXBB
- M5 - CPG0902103BASMBB
- M6 - CPG0902103BJANBB
- M7 - CPG0902103HAABBB
- M8 - CPG0902103HAAXBB
- M9 - CPG0902104BAXXBB
- M10 - CPG0902104BHXZBB
- M11 - CPG0902104BJANBB
- M12 - CPG0902104HXXXBB
- M13 - CPG0902107BASFB
- M14 - CPG0902107HAAXBB
- M15 - CPG0902107HAXXBB

# Top Panel/Tubing Assy

Image 1

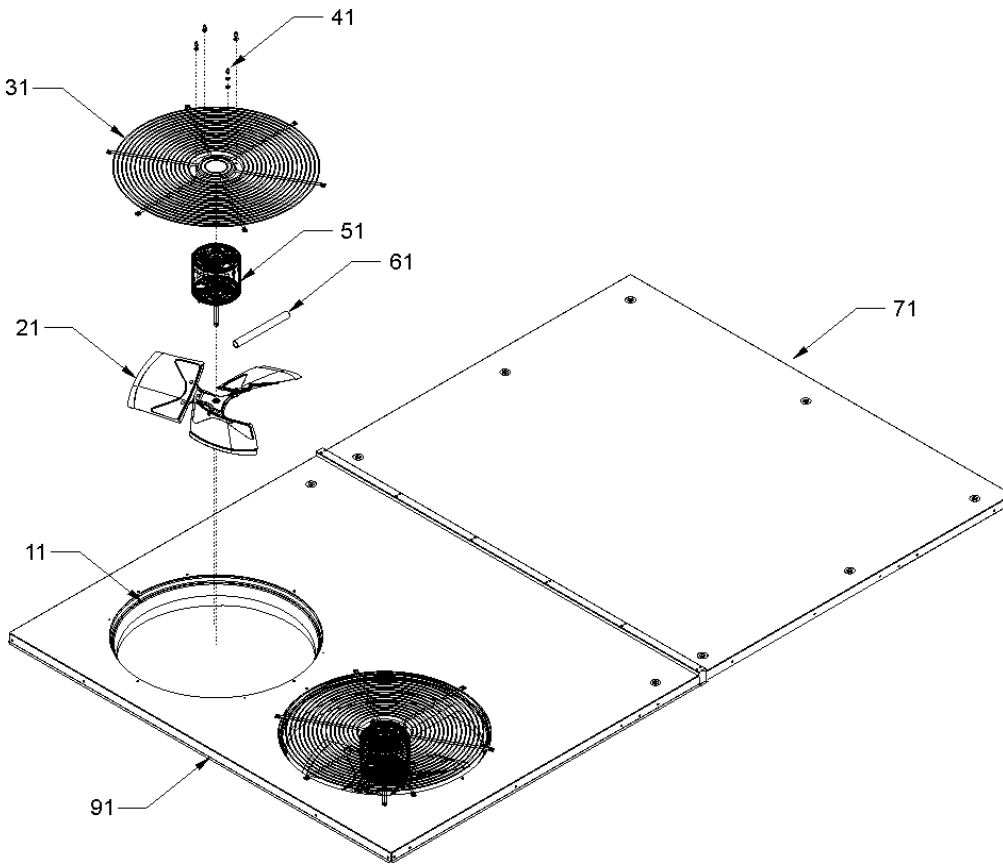
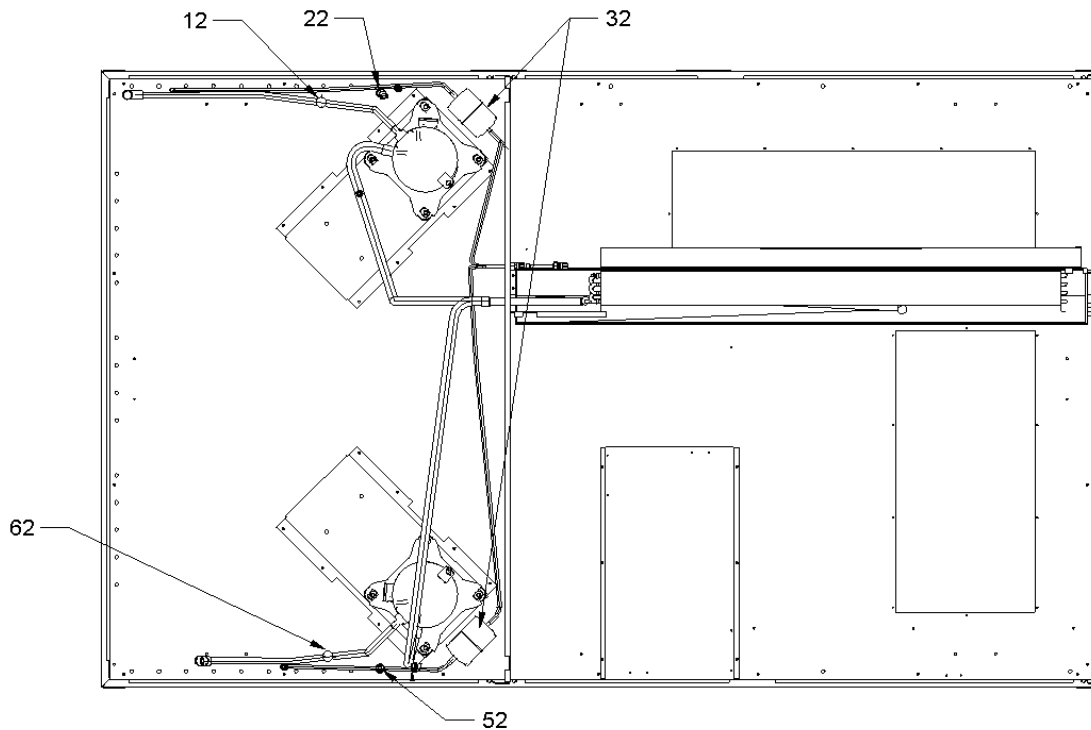


Image 2



# Top Panel/Tubing Assy

Ref. Part No: No:	Description:	Ref. Part No: No:	Description:
-------------------	--------------	-------------------	--------------

**Image 1:**

11	0161L00000	VENTURI RING 22" (QTY 2)
21	0150G00001	FAN BLADE (QTY 2)
31	0152G00003	FAN GRILLE (QTY 2)
41	0163M00006P	ACORN NUT 5/16 HEX BLACK (QTY 8)
51	0131M00007P	COND MOTOR 1/4 HP, 1 SP, 6 PL (M1, M2, M3, M4, M5, M6, M7, M8)
51	B13400269	COND MOTOR 380/460 50/60 CYCLE (M9, M10, M11, M12)
51	0131M00098	COND MOTOR 575V (M13, M14, M15)
61	17788000083F	PVC CONDUIT 8.25" (QTY 2)
71	0121L00497DG	EVAP TOP PANEL
91	0121L01014DG	COND TOP PANEL
NS	0259L00025	COND MOTOR HARNESS 230V (M1, M2, M3, M4, M5, M6, M7, M8, M13, M14, M15)
NS	0259L00027	COND MOTOR HARNESS 230V (M1, M2, M3, M4, M5, M6, M7, M8, M13, M14, M15)
NS	0259L00026	COND MOTOR HARNESS 460V (M9, M10, M11, M12)
NS	0259L00028	COND MOTOR HARNESS 460V (M9, M10, M11, M12)
NS	0259L00008	MOTOR HARNESS-BELT DRIVE
NS	20455902	SPLICE GASKET .50 X .25 (QTY 5)

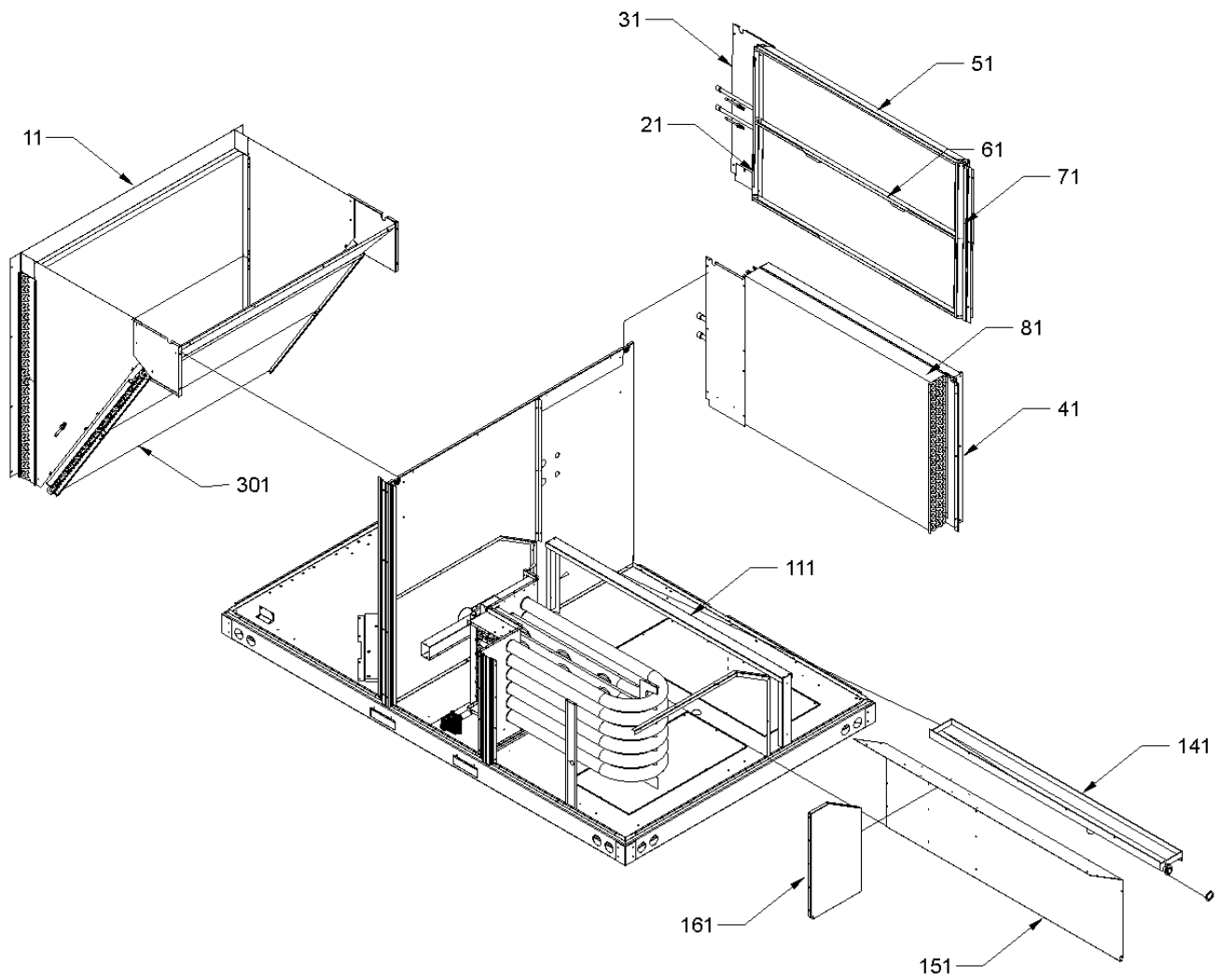
**Image 2:**

12	0130M00030	CUT-OUT SWITCH, HIGH PRESSURE
22	0130L00003	CUT-OUT SWITCH, LOW PRESSURE
32	20485201	BI-FLOW FILTER DRIER
52	0130L00002	CUT-OUT SWITCH, LOW PRESSURE
62	0130M00031	CUT-OUT SWITCH, HIGH PRESSURE

**Expanded Model Nomenclature**

M1 - CPG0902103BAABBB
M2 - CPG0902103BAAVBB
M3 - CPG0902103BAAWBB
M4 - CPG0902103BAAXB
M5 - CPG0902103BASMBB
M6 - CPG0902103BJANBB
M7 - CPG0902103HAABBB
M8 - CPG0902103HAAXB
M9 - CPG0902104BAXXBB
M10 - CPG0902104BHXZBB
M11 - CPG0902104BJANBB
M12 - CPG0902104HXXXBB
M13 - CPG0902107BASFB
M14 - CPG0902107HAAXB
M15 - CPG0902107HAXXB

# Partition Assy



# Partition Assy

Ref. Part No: No:	Description:	Ref. Part No: No:	Description:
-------------------	--------------	-------------------	--------------

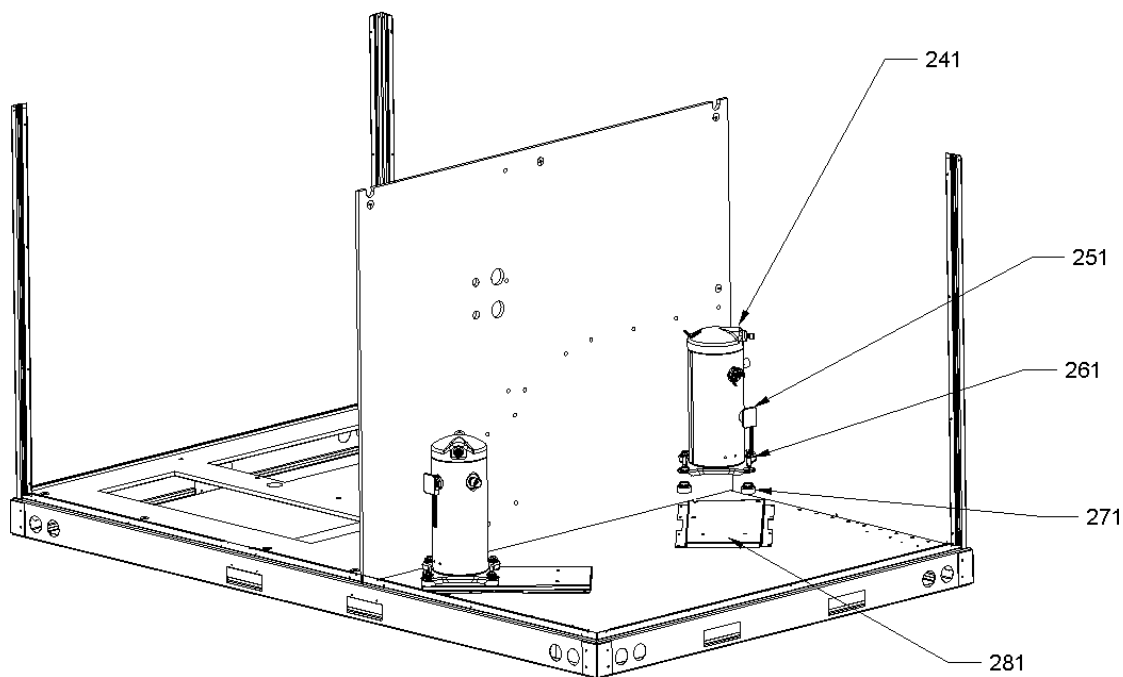
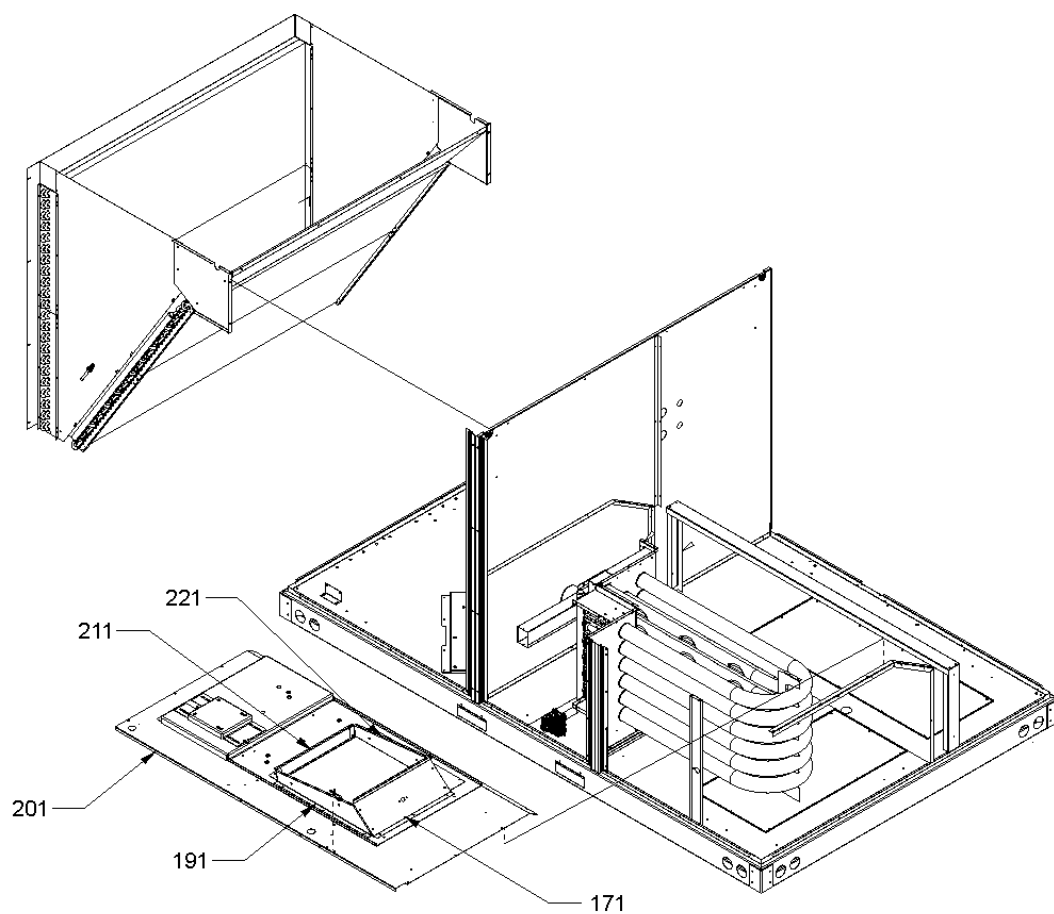
**Image 1:**

11	0201L00098	CONDENSER TUBING ASSY C1 COOL
21	0121L00357	FILTER ANGLE-VERTICAL (RETURN SIDE)
31	0121L00210	EVAP EXTENSION-RETURN SIDE
41	0121L00844	EVAP EXTENSION-HAIRPIN SIDE
51	0121L00932	FILTER ANGLE-HORIZONTAL (QTY 2)
61	0121L00298	FILTER ANGLE-HORIZONTAL (CENTER)
71	0121L00358	FILTER ANGLE-VERTICAL (HAIRPIN SIDE)
81	0202L00041	TUBING ASSY, EVAP COIL
111	0121L00508	DRAIN PAN SUPPORT
141	0161L00002	DRAIN PAN
151	0121L00374	DECK SIDE CHANNEL
161	0121L00522	HEAT EXCHANGER BLOCK-OFF
301	0201L00102	CONDENSER ASSY C2

**Expanded Model Nomenclature**

- M1 - CPG0902103BAABBB
- M2 - CPG0902103BAAVBB
- M3 - CPG0902103BAAWBB
- M4 - CPG0902103BAAXBB
- M5 - CPG0902103BASMBB
- M6 - CPG0902103BJANBB
- M7 - CPG0902103HAABBB
- M8 - CPG0902103HAAXBB
- M9 - CPG0902104BAXXBB
- M10 - CPG0902104BHXZBB
- M11 - CPG0902104BJANBB
- M12 - CPG0902104HXXXBB
- M13 - CPG0902107BASFB
- M14 - CPG0902107HAAXBB
- M15 - CPG0902107HAXXBB

# Partition Assy



# Partition Assy

Ref. Part No: No:	Description:	Ref. Part No: No:	Description:
-------------------	--------------	-------------------	--------------

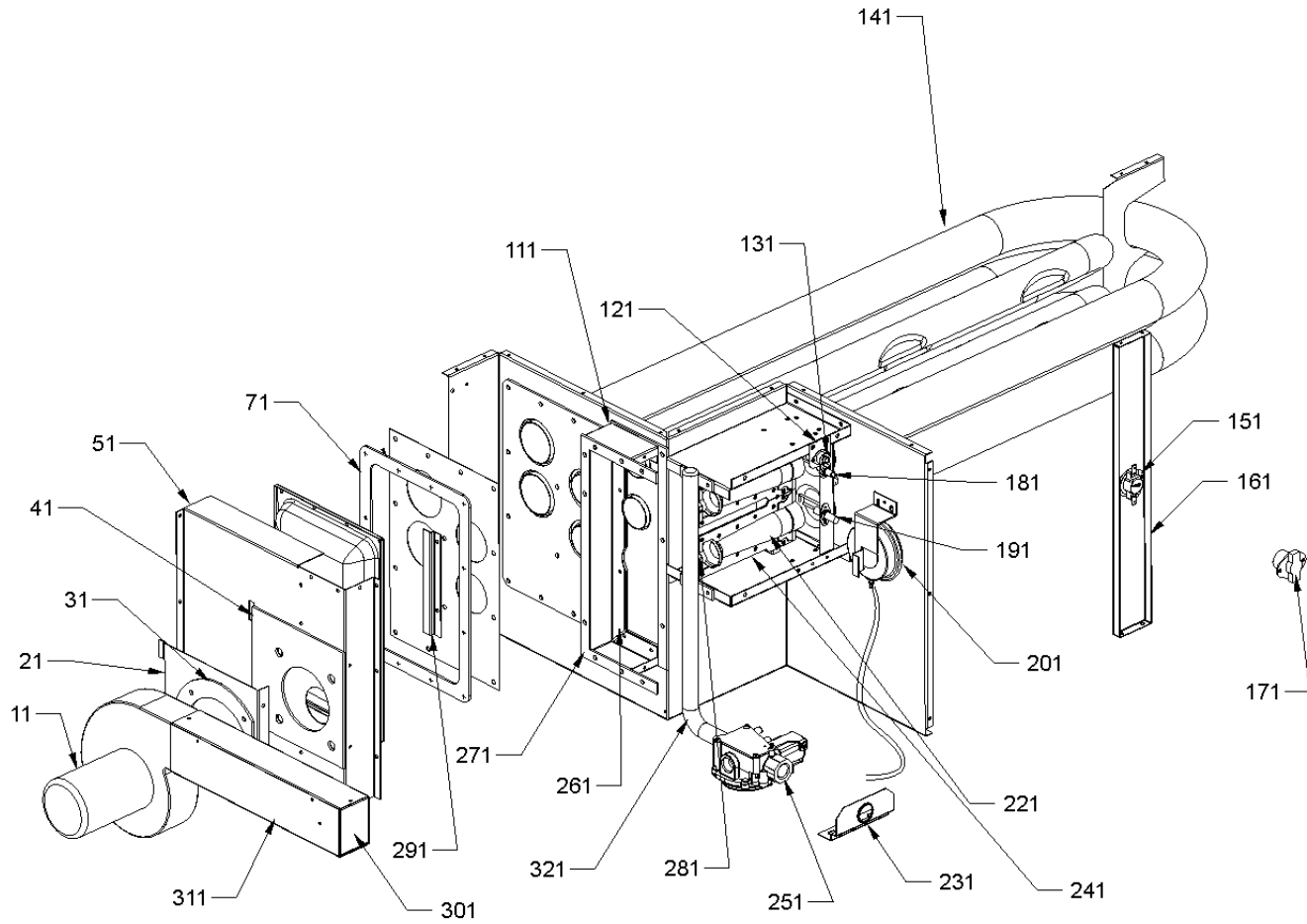
**Image 1:**

171	0121L00090	BLOWER TRANSITION, RH END
191	0121L00092	BLOWER TRANSITION, FRONT
201	0121L00928	DECK-BLOWER
211	0121L00097	BLOWER TRANSITION, LH END
221	0121L00145	BLOWER TRANSITION, BACK
241	ZP39K5ETF5130	COMPRESSOR 39000, 200/230/60/3 (M1, M2, M3, M4, M5, M6, M7, M8)
241	ZP39K5ETFD130	COMPRESSOR 39000, 460/60/3 (M9, M10, M11, M12)
241	ZP39K5ETFE130	COMPRESSOR 39000, 575/60/3 (M13, M14, M15)
251	0159L00004	COMPRESSOR SCROLL HARNESS
251	0159L00005	COMPRESSOR SCROLL HARNESS
261	M0221641	TF SHOULDER SCREW (QTY 8)
271	B1339533	COMPRESSOR GROMMET (QTY 8)
281	0121L00408	COMPRESSOR MOUNTING PLATE (QTY 2)
NS	B1369608	AIR FILTER 20 X 16 X 2 (QTY 4)
NS	0162L00015	FLOWRATOR .078 [EVAP] (QTY 2)

**Expanded Model Nomenclature**

- M1 - CPG0902103BAABBB
- M2 - CPG0902103BAAVBB
- M3 - CPG0902103BAAWBB
- M4 - CPG0902103BAAXB
- M5 - CPG0902103BASMBB
- M6 - CPG0902103BJANBB
- M7 - CPG0902103HAABBB
- M8 - CPG0902103HAAXB
- M9 - CPG0902104BAXXBB
- M10 - CPG0902104BHXZBB
- M11 - CPG0902104BJANBB
- M12 - CPG0902104HXXXBB
- M13 - CPG0902107BASFB
- M14 - CPG0902107HAAXB
- M15 - CPG0902107HAXXBB

# Heat Exchanger Assy



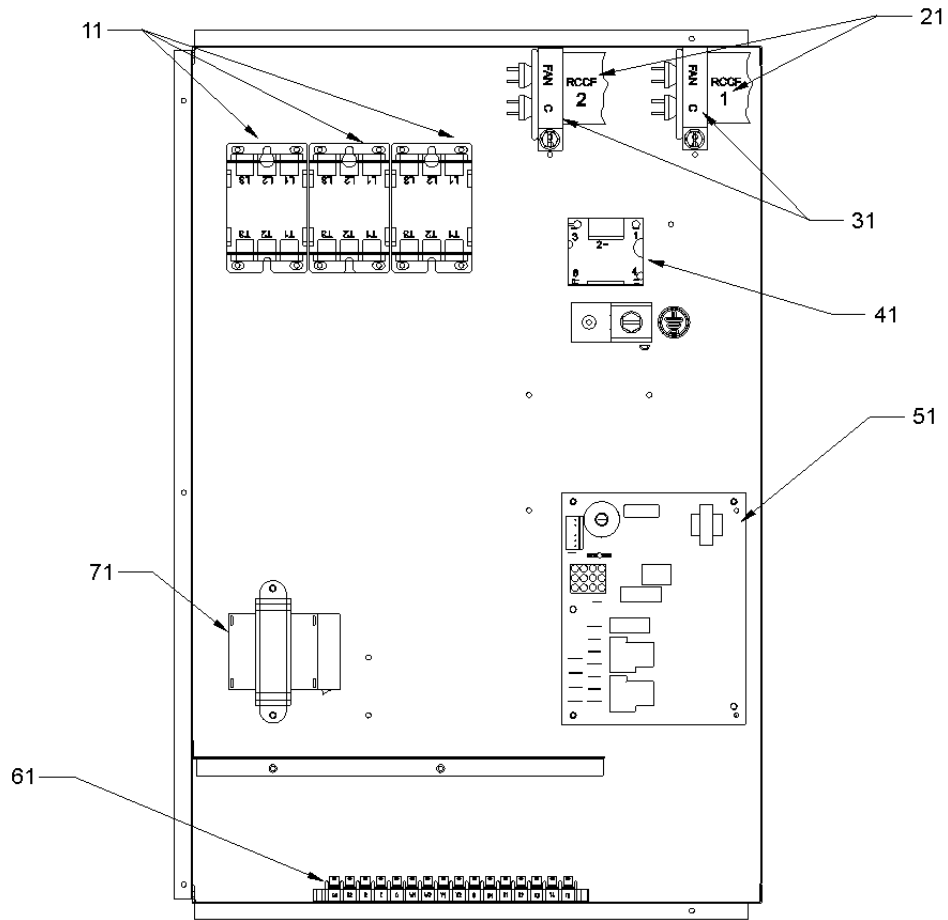
# Heat Exchanger Assy

Ref. Part No:	No:	Description:	Ref. Part No:	No:	Description:
<i>Image 1:</i>					
11	0131L00002	VENT MOTOR			
21	0121L00080	MOUNTING PLATE-ID BLOWER			
31	0154L00007	GASKET, BLOWER/ORIFICE PLATE			
41	0154L00006	GASKET, COLLECTOR/ORIFICE PLATE			
51	0121L00077	COLLECTOR BOX COVER			
71	0154L00010	REAR COVER GASKET, HEAT EXCHANGER			
111	0121L00076	COLLECTOR BOX CHANNEL			
121	0121L00323	FLAME ROLLOUT BRACKET			
131	10123532	MANUAL RESET LIMIT 350°F			
141	0270L00043	HEAT EXCHANGER ASSY 6B (M1, M2, M3, M4, M6, M7, M8, M9, M10, M11, M12, M14, M15)			
141	0270L00171	HEAT EXCHANGER ASSY 6B (M5, M13)			
151	B1370199	PRIMARY LIMIT SWITCH 190°F			
161	0121L00093	POST-LIMIT SWITCH			
171	0130F00036	PRIMARY LIMIT - PINK			
181	0130F00010	FLAME SENSOR			
191	20261709	IGNITOR			
201	11112501	PRESSURE SWITCH			
221	0163L00000	BECKETT BURNER (QTY 6)			
231	0121L00147	PIPE BRACKET-GAS VALVE			
241	0121L00075	BURNER BRACKET 6B			
251	0151L00000	GAS VALVE (36H)			
261	0154L00011	INNER GASKET, COLLECTOR BOX			
271	0154L00012	OUTER GASKET, COLLECTOR BOX			
281	0163L00007	ORIFICE #34 DRILL (QTY 6)			
291	0121L00073	TUBE RESTRICTOR			
301	0163L00006	FLUE SCREEN			
311	0121L00049	HEAT EXCHANGER FLUE (QTY 2)			
321	0163L00010	MANIFOLD - 6 BRNR			
NS	0121L00130DG	FLUE COLLAR			
NS	B1392609	SEAL STRIP, RED, 1/8 X 1/2 X 100 (QTY 3)			

## Expanded Model Nomenclature

- M1 - CPG0902103BAABBB
- M2 - CPG0902103BAAVBB
- M3 - CPG0902103BAAWBB
- M4 - CPG0902103BAAXB
- M5 - CPG0902103BASMBB
- M6 - CPG0902103BJANBB
- M7 - CPG0902103HAABBB
- M8 - CPG0902103HAAXB
- M9 - CPG0902104BAXXB
- M10 - CPG0902104BHXZBB
- M11 - CPG0902104BJANBB
- M12 - CPG0902104HXXXBB
- M13 - CPG0902107BASFB
- M14 - CPG0902107HAAXB
- M15 - CPG0902107HAXXB

# Control Box Assy



# Control Box Assy

Ref. Part No: No:	Description:	Ref. Part No: No:	Description:
-------------------	--------------	-------------------	--------------

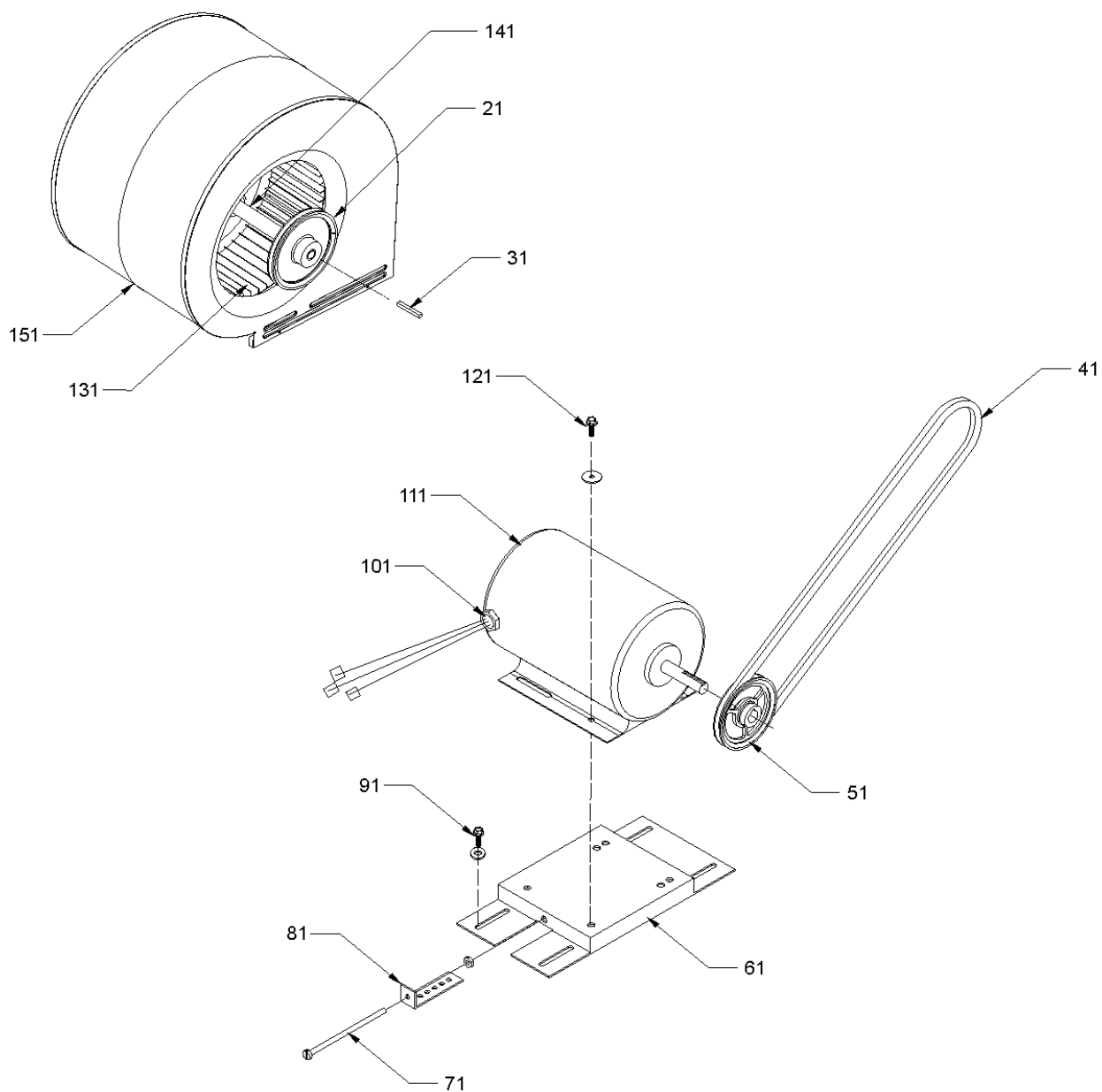
**Image 1:**

11	CONT3P025024V	CONTACTOR 25 AMP, 3P, 24V (QTY 3)
21	CAP050000370VA	CAPACITOR 5/370V (QTY 2)
31	20520901	CAPACITOR STRAP (QTY 2)
41	0130M00025	24V RELAY
51	PCBAG123	IGNITION BOARD, DSI INTEGRATED
61	0130M00038	TERMINAL BOARD
71	B1141653	TRANSFORMER 480V, 75VA, RESETTABLE (M9, M10, M11, M12)
71	B1141672	TRANSFORMER 480V, 75VA, RESETTABLE (M1, M2, M3, M4, M5, M6, M7, M8)
71	0130M00044	TRANSFORMER 575/230V (M13, M14, M15)
NS	0259L00031	12-PIN HARNESS
NS	0259L00021	CONTROL HARNESS (M9, M10, M11, M12, M13, M14, M15)
NS	0259L00022	CONTROL HARNESS (M1, M2, M3, M4, M5, M6, M7, M8)
NS	0259L00033	ECONOMIZER HARNESS
NS	B1141663	TRANSFORMER 460V TO 230V, 150 VA (M9, M10, M11, M12)
NS	0130M00045	TRANSFORMER 575/24V (M13, M14, M15)

**Expanded Model Nomenclature**

M1 - CPG0902103BAABBB
M2 - CPG0902103BAAVBB
M3 - CPG0902103BAAWBB
M4 - CPG0902103BAAXB
M5 - CPG0902103BASMBB
M6 - CPG0902103BJANBB
M7 - CPG0902103HAABBB
M8 - CPG0902103HAAXB
M9 - CPG0902104BAXXBB
M10 - CPG0902104BHXZBB
M11 - CPG0902104BJANBB
M12 - CPG0902104HXXXBB
M13 - CPG0902107BASFB
M14 - CPG0902107HAAXB
M15 - CPG0902107HAXXB

# Belt Drive Blower/Motor Assy



# Belt Drive Blower/Motor Assy

Ref. Part No:	No:	Description:	Ref. Part No:	No:	Description:
<i>Image 1:</i>					
21	B3204303	FIXED SHEAVE AK61 (M7, M8, M12, M14, M15)			
21	0163L00011	FIXED SHEAVE AK74			
31	B1398604	STEEL KEY (000158812) 2.0"			
41	0164L00001	NOTCHED FAN BELT AX49 (M7, M8, M12, M14, M15)			
41	0164L00000	NOTCHED FAN BELT AX51 (M7, M8, M12, M14, M15)			
51	0163L00024	VARIABLE PITCH SHEAVE 1VL40 X 5/8" (M13, M14, M15)			
51	0163L00012	VARIABLE PITCH SHEAVE VL40 (M1, M2, M3, M4, M5, M6, M7, M8, M9, M10, M11, M12)			
61	0270L00015	MOTOR BASE ASSY			
71	0163M00045	BOLT 1/4-20 X 4"			
81	3225000F	BELT TIGHTENER ANGLE			
91	B1446707	SCREW 5/16-18 X 1" (QTY 4)			
101	B1393726	ELECT. CONNECTING BUSHING			
111	B3240007	BELT DRIVE MOTOR 1.5 HP (M1, M2, M3, M4, M5, M6, M7, M8, M9, M10, M11, M12)			
111	0131L00004	BELT DRIVE MOTOR 1.5 HP 575V (M13, M14, M15)			
121	B1393738	BOLT 1/4-20 X 3/4" (QTY 4)			
131	03-77429	BLOWER WHEEL			
141	04-11525	BLOWER SHAFT			
151	04-01525	BLOWER HOUSING			
NS	04-02196	BLOWER BEARING & FRAME ASSY			

## Expanded Model Nomenclature

M1 - CPG0902103BAABBB
M2 - CPG0902103BAAVBB
M3 - CPG0902103BAAWBB
M4 - CPG0902103BAAXB
M5 - CPG0902103BASMBB
M6 - CPG0902103BJANBB
M7 - CPG0902103HAABBB
M8 - CPG0902103HAAXB
M9 - CPG0902104BAXXB
M10 - CPG0902104BHXZBB
M11 - CPG0902104BJANBB
M12 - CPG0902104HXXXBB
M13 - CPG0902107BASFB
M14 - CPG0902107HAAXB
M15 - CPG0902107HAXXB

# ACCESSORY PARTS LIST

# Accessory Parts

Ref. Part No:	No:	Description:	Ref. Part No:	No:	Description:
<b>Image 1:</b>					
NS	0130M00065	CIRCUIT BREAKER, CONVENIENCE OUTLET (M1, M5, M6, M7, M11)			
NS	0270L00274	CONVENIENCE OUTLET ASSY-NP (M1, M5, M6, M7, M11, M13)			
NS	DSC060B53N001FI	DISCONNECT MODULE ASSY (M10)			
NS	DSC060B53Y001FI	DISCONNECT MODULE ASSY (M6, M11)			
NS	DNECONGS90120	ECONOMIZER DOWNFLOW GAS/AC (M1, M2, M3, M4, M5, M6, M7, M8, M9, M11, M13, M14, M15)			
NS	HAILGD02FI	HAIL GUARD ASSY (M1, M2, M3, M4, M6, M7, M8, M11, M14)			
NS	LAKT03	LOW AMBIENT KIT (M2, M3, M5, M13)			
NS	SDRKT01FI75T12	SMOKE DETECTOR ASSEMBLY (M2, M6, M11)			
NS	SDSKT01FI75T12	SMOKE DETECTOR ASSEMBLY (M3)			
NS	SDSRKT01FI75T12	SMOKE DETECTOR ASSEMBLY (M10)			
NS	0130M00061	TRANSFORMER, CONVENIENCE OUTLET (M1, M5, M6, M7, M11)			

## Expanded Model Nomenclature

M1 - CPG0902103BAABBB
M2 - CPG0902103BAAVBB
M3 - CPG0902103BAAWBB
M4 - CPG0902103BAAXBB
M5 - CPG0902103BASMBB
M6 - CPG0902103BJANBB
M7 - CPG0902103HAABBB
M8 - CPG0902103HAAXBB
M9 - CPG0902104BAXXBB
M10 - CPG0902104BHXZBB
M11 - CPG0902104BJANBB
M12 - CPG0902104HXXXBB
M13 - CPG0902107BASFB
M14 - CPG0902107HAAXBB
M15 - CPG0902107HAXXBB