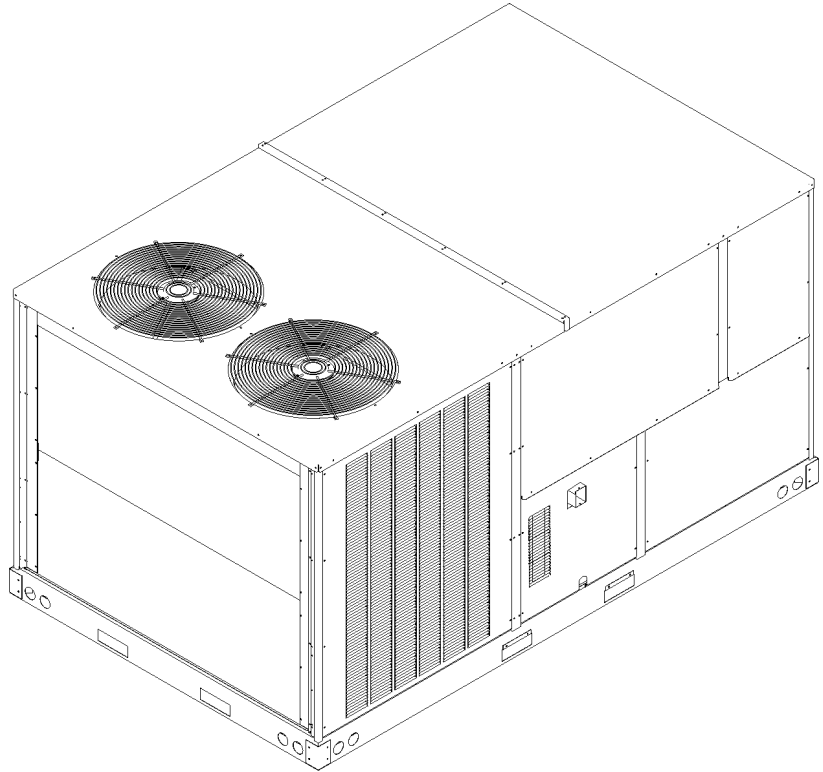


REPAIR PARTS

Commercial 7.5 Ton Package Gas Units

CPG0902103BAABCA
CPG0902103BASMCA
CPG0902103BAXXCA
CPG0902103BHXACA
CPG0902103BJANCA
CPG0902103BXAXCA
CPG0902103BXJXCA
CPG0902103BXSXCA
CPG0902103BXXBCA
CPG0902103BXXCCA
CPG0902103BXXXCA
CPG0902103HAABCA
CPG0902103HAAXCA
CPG0902103HXXXCA
CPG0902104BAXXCA
CPG0902104BHXUCA
CPG0902104BHXZCA
CPG0902104BJANCA
CPG0902104BXABCA
CPG0902104BXDCCA
CPG0902104BXSXCA
CPG0902104BXXECA
CPG0902104BXXXCA
CPG0902107BASFCA
CPG0902107BASXCA
CPG0902107BXSXCA
CPG0902107BXXXCA
CPG0902107HAAXCA
CPG0902107HAXXCA
CPG0902107HXXXCA



This manual is to be used by qualified technicians only.

This manual replaces RP-743D.

© 2012-2013, 2016 Goodman Manufacturing Company, L.P. ♦ 5151 San Felipe St., Suite 500 ♦ Houston, TX 77056

Important Information

Index

Functional Parts List	3
Illustration and Parts	4 - 19

Views shown are for parts illustrations only, not servicing procedures

Text Codes:

AR - As Required

NA - Not Available

NS - Not Shown

00000000 - See Note

QTY - Quantity Example (QTY 3) (If Quantity not shown, Quantity = 1)

M - Model Example (M1) (If M Code not shown, then part is used on all Models)

Expanded Model Nomenclature:

Example M1 - Model#1 M2 - Model#2 M3 - Model#3

Goodman Manufacturing Company, L.P. is not responsible for personal injury or property damage resulting from improper service. Review all service information before beginning repairs.

Warranty service must be performed by an authorized technician, using authorized factory parts. If service is required after the warranty expires, Goodman Manufacturing Company, L.P. also recommends contacting an authorized technician and using authorized factory parts.

Goodman Manufacturing Company, L.P. reserves the right to discontinue, or change at any time, specifications or designs without notice or without incurring obligations.

For assistance within the U.S.A. contact:
Consumer Affairs Department
Goodman Manufacturing Company, L.P.
7401 Security Way
Houston, Texas 77040
877-254-4729-Telephone
713-863-2382-Facsimile

For assistance outside the U.S.A. contact:
International Division
Goodman Manufacturing Company, L.P.
7401 Security Way
Houston, Texas 77040
713-861-2500-Telephone
713-863-2382-Facsimile

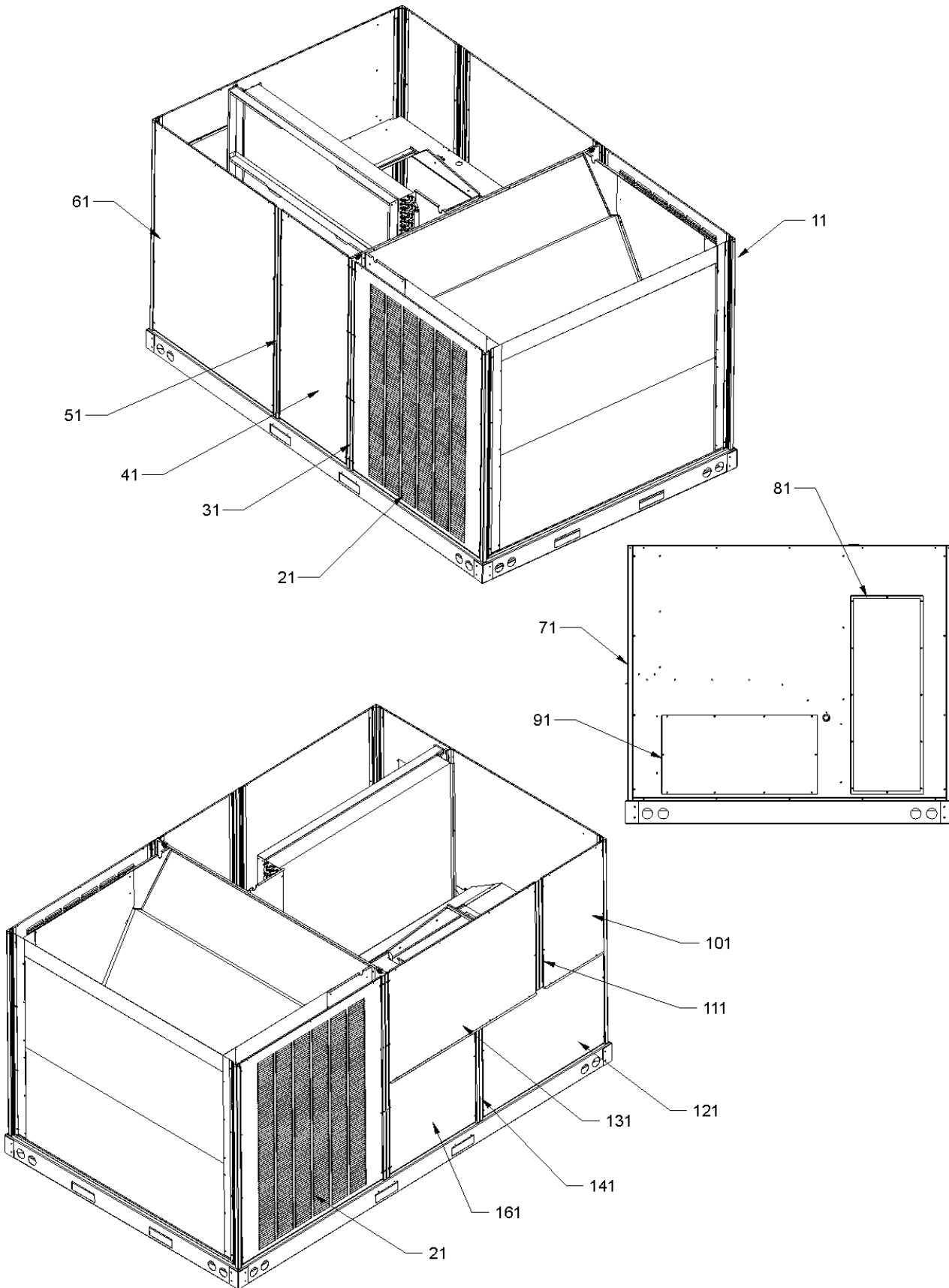
Functional Parts

Part

No: **Description:**

Part No:	Description:	Expanded Model Nomenclature
0130M00025	24V RELAY	M1 - CPG0902103BAABCA
B3240007	BELT DRIVE MOTOR 1.5 HP (M1, M2, M3, M4, M5, M6, M7, M8, M9, M10, M11, M12, M13, M14, M15, M16, M17, M18, M19, M20, M21, M22, M23)	M2 - CPG0902103BASMCA
0131L00004	BELT DRIVE MOTOR 1.5 HP 575V (M24, M25, M26, M27, M28, M29, M30)	M3 - CPG0902103BAXXCA
03-77429	BLOWER WHEEL	M4 - CPG0902103BHXACA
CAP050000370VA	CAPACITOR 5/370V (QTY 2)	M5 - CPG0902103BJANCA
ZP39K5ETF5830	COMPRESSOR 39000, 200/230/60/3 (M1, M2, M3, M4, M5, M6, M7, M8, M9, M10, M11, M12, M13, M14)	M6 - CPG0902103BXAXCA
ZP39K5ETFD130	COMPRESSOR 39000, 460/60/3 (M15, M16, M17, M18, M19, M20, M21, M22, M23)	M7 - CPG0902103BXJXCA
ZP39K5ETFE830	COMPRESSOR 39000, 575/60/3 (M24, M25, M26, M27, M28, M29, M30)	M8 - CPG0902103BXSXCA
0131M00429	COND MOTOR 1/4 HP, 1 SP,6 PL (M1, M2, M3, M4, M5, M6, M7, M8, M9, M10, M11, M12, M13, M14)	M9 - CPG0902103BXXBCA
B13400269	COND MOTOR 380/460 50/60 CYCLE (M15, M16, M17, M18, M19, M20, M21, M22, M23)	M10 - CPG0902103BXXCCA
0131M00098	COND MOTOR 575V (M24, M25, M26, M27, M28, M29, M30)	M11 - CPG0902103BXXXCA
CONT3P025024V	CONTACTOR 25 AMP, 3P, 24V (QTY 3)	M12 - CPG0902103HAABCA
0130M00031	CUT-OUT SWITCH, HIGH PRESSURE	M13 - CPG0902103HAAXCA
0130M00030	CUT-OUT SWITCH, HIGH PRESSURE	M14 - CPG0902103HXXXCA
0130L00002	CUT-OUT SWITCH, LOW PRESSURE	M15 - CPG0902104BAXXCA
0130L00003	CUT-OUT SWITCH, LOW PRESSURE	M16 - CPG0902104BHXUCA
0150G00001	FAN BLADE (QTY 2)	M17 - CPG0902104BHXZCA
0130F00010	FLAME SENSOR	M18 - CPG0902104BJANCA
0151L00000	GAS VALVE (36H)	M19 - CPG0902104BXABCA
PCBAG123	IGNITION BOARD, DSI INTEGRATED	M20 - CPG0902104BXDCCA
20261709	IGNITOR	M21 - CPG0902104BXSXCA
10123532	MANUAL RESET LIMIT 350°F	M22 - CPG0902104BXXECA
0164L00001	NOTCHED FAN BELT AX49 (M12, M13, M14, M28, M29, M30)	M23 - CPG0902104BXXXCA
0164L00000	NOTCHED FAN BELT AX51	M24 - CPG0902107BASFCFA
11112501	PRESSURE SWITCH	M25 - CPG0902107BASXCA
0130F00036	PRIMARY LIMIT - PINK	M26 - CPG0902107BXSXCA
B1370199	PRIMARY LIMIT SWITCH 190°F	M27 - CPG0902107BXXXCA
0130M00038	TERMINAL BOARD	M28 - CPG0902107HAAXCA
0130M00144	TRANSFORMER (M1, M2, M3, M4, M5, M6, M7, M8, M9, M10, M11, M12, M13, M14)	M29 - CPG0902107HAXXCA
B1141663	TRANSFORMER 460V TO 230V, 150 VA (M15, M16, M17, M18, M19, M20, M21, M22, M23)	M30 - CPG0902107HXXXCA
B1141663	TRANSFORMER 460V TO 230V, 150 VA (M15, M16, M17, M18, M19, M20, M21, M22, M23)	
0130M00044	TRANSFORMER 575/230V (M24, M25, M26, M27, M28, M29, M30)	
0130M00148	TRANSFORMER 575V to 24V, 75VA (M24, M25, M26, M27, M28, M29, M30)	
0131L00002	VENT MOTOR	

Cabinet Assy



Cabinet Assy

Ref. Part No: No:	Description:	Ref. Part No: No:	Description:
-------------------	--------------	-------------------	--------------

Image 1:

11	0121L00065RFDG	CORNER POST (QTY 4)
21	0121L00511DG	LOUVERED SIDE PANEL (QTY 2)
31	0121L00738RFDG	PNT, ROLL FORM SIDE POST (QTY 2)
41	0121L00737DG	FILTER DOOR
51	0121L00739RFDG	PNT, RFORM, FILTER DOOR POST
61	0121L00510DG	ECONOMIZER DOOR
71	0121L00506DG	DUCT PANEL
81	0121L00082DG	SUPPLY DUCT
91	0121L00099DG	RETURN DUCT
101	0121L00764DG	PNT, DOOR, CONTROL
111	0121L00762RFDG	POST-CONTROL BOX
121	0121L00767DG	HEAT EXCH DOOR
131	0121L00763DG	BLWR DOOR
141	0121L00765RFDG	POST, BURNER BOX
161	0121L00766DG	BURNER DOOR
NS	0121L00129	DOOR RAIN SHIELD (M1, M2, M3, M5, M12, M13, M15, M18, M24, M25, M28, M29)

Expanded Model Nomenclature

- M1 - CPG0902103BAABCA
- M2 - CPG0902103BASMCA
- M3 - CPG0902103BAXXCA
- M4 - CPG0902103BHXACA
- M5 - CPG0902103BJANCA
- M6 - CPG0902103BXAXCA
- M7 - CPG0902103BXJXCA
- M8 - CPG0902103BXSXCA
- M9 - CPG0902103BXXBCA
- M10 - CPG0902103BXXCCA
- M11 - CPG0902103BXXXCA
- M12 - CPG0902103HAABCA
- M13 - CPG0902103HAAXCA
- M14 - CPG0902103HXXXCA
- M15 - CPG0902104BAXXCA
- M16 - CPG0902104BHXUCA
- M17 - CPG0902104BHXZCA
- M18 - CPG0902104BJANCA
- M19 - CPG0902104BXABCA
- M20 - CPG0902104BXDCCA
- M21 - CPG0902104BXSXCA
- M22 - CPG0902104BXXECA
- M23 - CPG0902104BXXXCA
- M24 - CPG0902107BASFCA
- M25 - CPG0902107BASXCA
- M26 - CPG0902107BXSXCA
- M27 - CPG0902107BXXXCA
- M28 - CPG0902107HAAXCA
- M29 - CPG0902107HAXXCA
- M30 - CPG0902107HXXXCA

Top Panel/Tubing Assy

Image 1

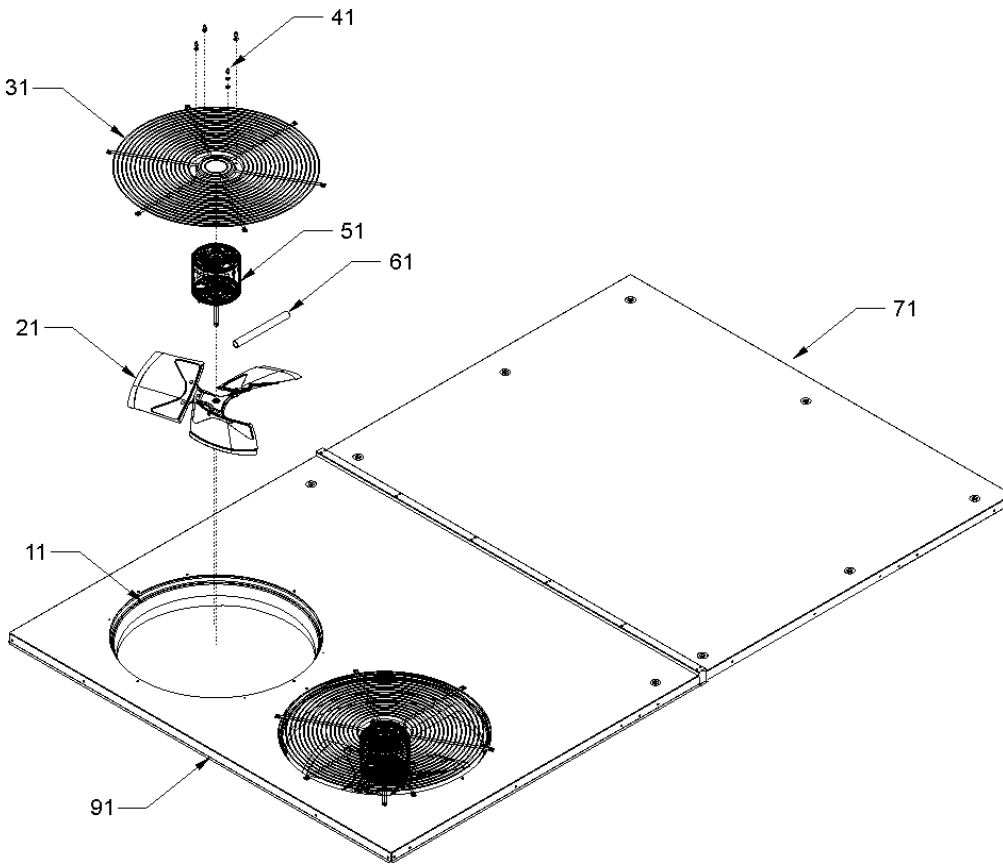
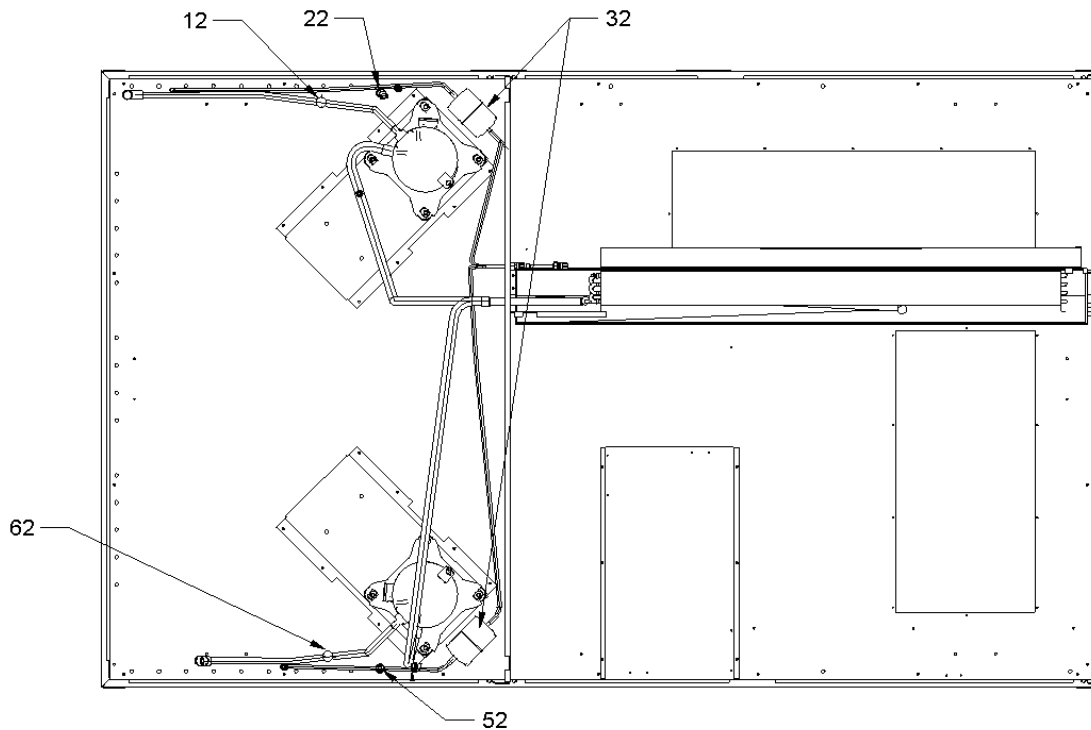


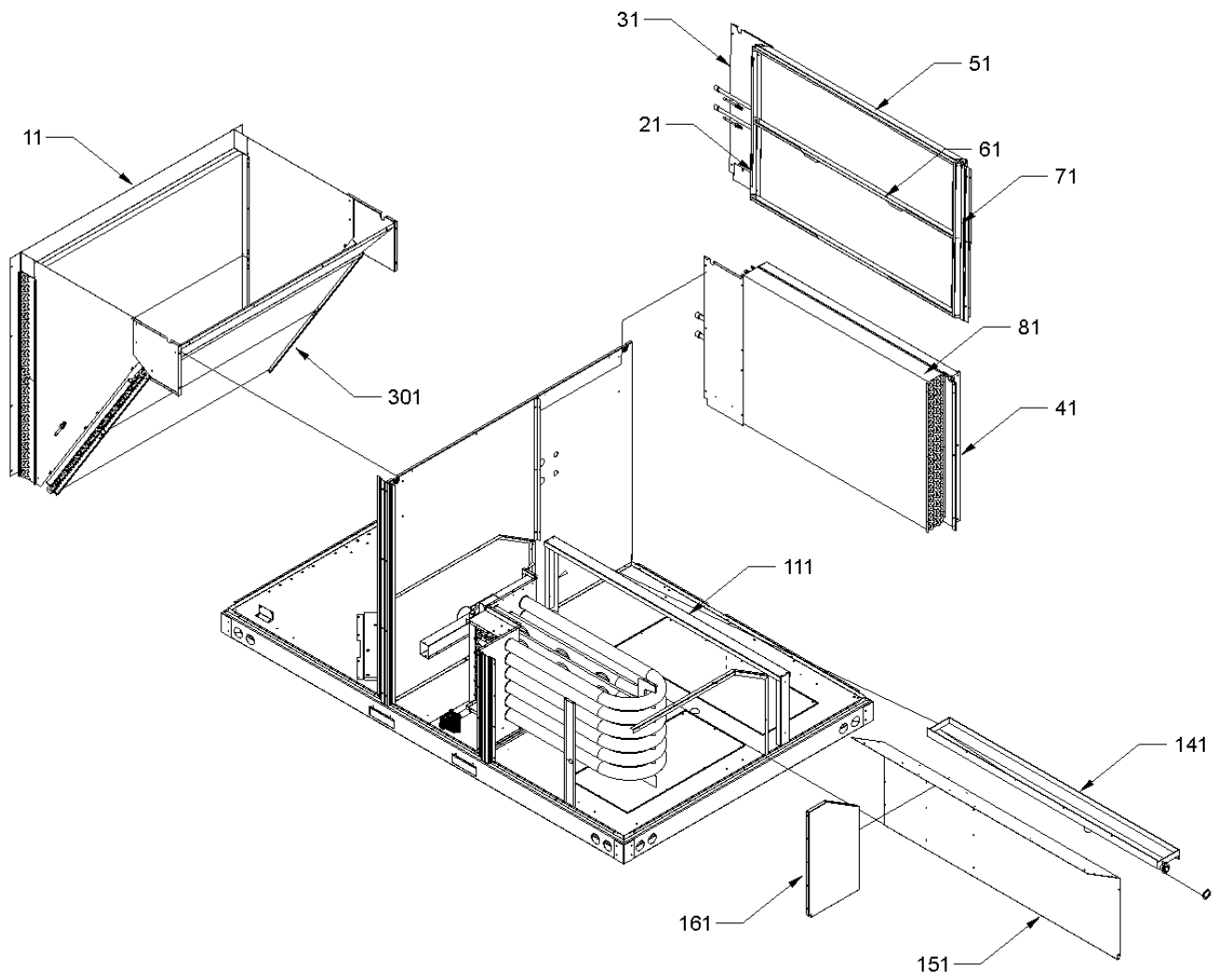
Image 2



Top Panel/Tubing Assy

Ref. Part No: No:	Description:	Ref. Part No: No:	Description:
Image 1:		Expanded Model Nomenclature	
11	0161L00000 VENTURI RING 22" (QTY 2)	M1	CPG0902103BAABCA
21	0150G00001 FAN BLADE (QTY 2)	M2	CPG0902103BASMCA
31	0152G00003 FAN GRILLE (QTY 2)	M3	CPG0902103BAXXCA
41	0163M00006P ACORN NUT 5/16 HEX BLACK (QTY 8)	M4	CPG0902103BHXACA
51	0131M00429 COND MOTOR 1/4 HP, 1 SP,6 PL (M1, M2, M3, M4, M5, M6, M7, M8, M9, M10, M11, M12, M13, M14)	M5	CPG0902103BJANCA
51	B13400269 COND MOTOR 380/460 50/60 CYCLE (M15, M16, M17, M18, M19, M20, M21, M22, M23)	M6	CPG0902103BXAXCA
51	0131M00098 COND MOTOR 575V (M24, M25, M26, M27, M28, M29, M30)	M7	CPG0902103BXJXCA
61	17788000083F PVC CONDUIT 8.25" (QTY 2)	M8	CPG0902103BXSXCA
71	0121L00497DG EVAP TOP PANEL	M9	CPG0902103BXXBCA
91	0121L01014DG COND TOP PANEL	M10	CPG0902103BXXCCA
NS	B1373315 ACCESS FITTING (QTY 4)	M11	CPG0902103BXXXCA
NS	0163M00175 CAP WITH O-RING (QTY 4)	M12	CPG0902103HAABCA
NS	0259L00025 COND MOTOR HARNESS 230V (M1, M2, M3, M4, M5, M6, M7, M8, M9, M10, M11, M12, M13, M14, M24, M25, M26, M27, M28, M29, M30)	M13	CPG0902103HAAXCA
NS	0259L00027 COND MOTOR HARNESS 230V (M1, M2, M3, M4, M5, M6, M7, M8, M9, M10, M11, M12, M13, M14, M24, M25, M26, M27, M28, M29, M30)	M14	CPG0902103HXXCA
NS	0259L00026 COND MOTOR HARNESS 460V (M15, M16, M17, M18, M19, M20, M21, M22, M23)	M15	CPG0902104BAXXCA
NS	0259L00028 COND MOTOR HARNESS 460V (M15, M16, M17, M18, M19, M20, M21, M22, M23)	M16	CPG0902104BHXUCA
NS	0259L00008 MOTOR HARNESS-BELT DRIVE	M17	CPG0902104BHXZCA
NS	20455902 SPLICE GASKET .50 X .25 (QTY 5)	M18	CPG0902104BJANCA
		M19	CPG0902104BXABCA
		M20	CPG0902104BXDCCA
		M21	CPG0902104BXSXCA
		M22	CPG0902104BXXECA
		M23	CPG0902104BXXXCA
		M24	CPG0902107BASFCA
		M25	CPG0902107BASXCA
		M26	CPG0902107BXSXCA
		M27	CPG0902107BXXXCA
		M28	CPG0902107HAAXCA
		M29	CPG0902107HAXXCA
		M30	CPG0902107HXXXCA
Image 2:			
12	0130M00030 CUT-OUT SWITCH, HIGH PRESSURE		
22	0130L00003 CUT-OUT SWITCH, LOW PRESSURE		
32	20485201 BI-FLOW FILTER DRIER		
52	0130L00002 CUT-OUT SWITCH, LOW PRESSURE		
62	0130M00031 CUT-OUT SWITCH, HIGH PRESSURE		

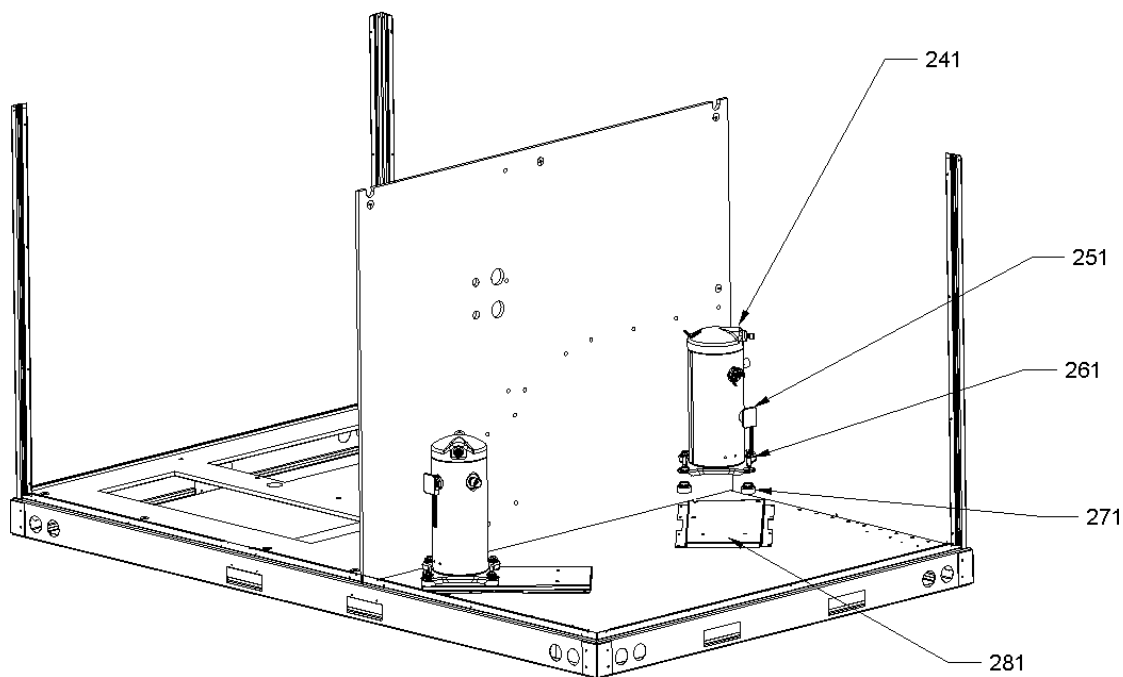
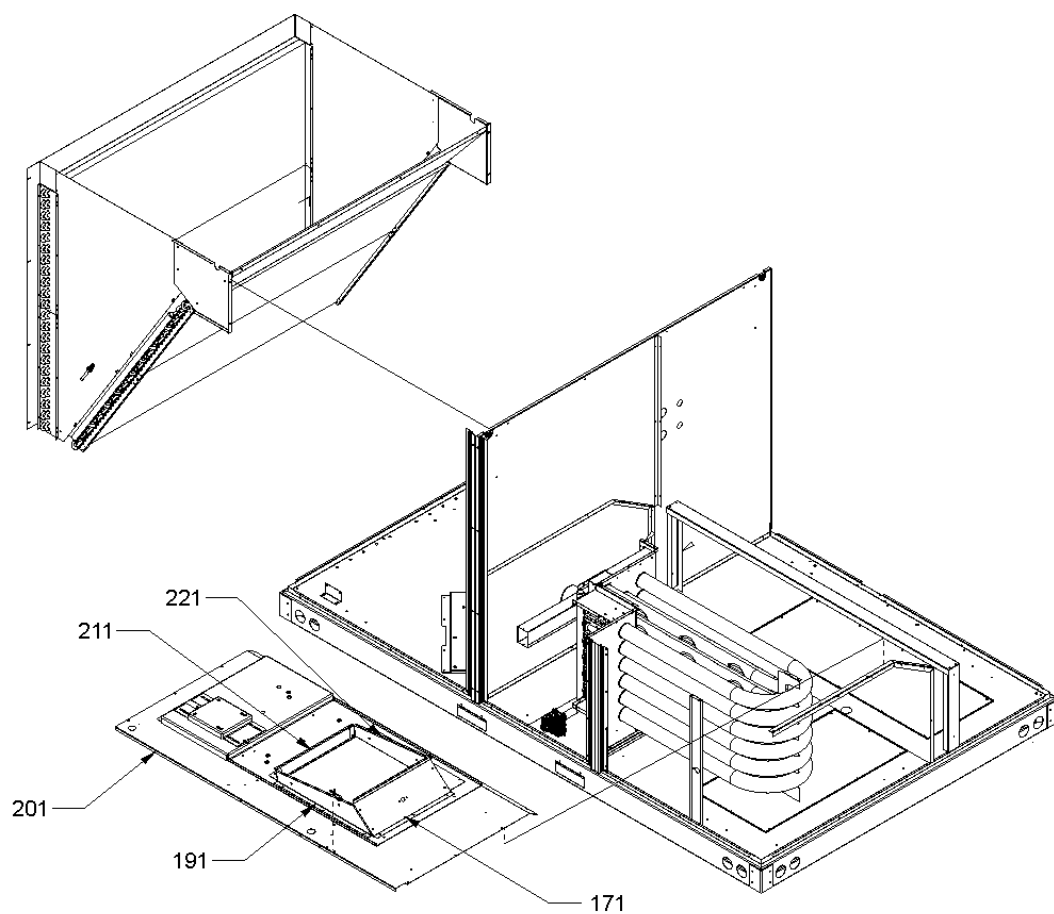
Partition Assy



Partition Assy

Ref. Part No:	Description:	Ref. Part No:	Description:
<i>Image 1:</i>		Expanded Model Nomenclature	
11	0201L00128 COND COIL ASSY, 5MM C1 (M1, M2, M3, M4, M5, M6, M8, M9, M10, M11, M12, M13, M14, M15, M16, M17, M18, M19, M21, M22, M23, M24, M25, M26, M27, M28, M29, M30)	M1 - CPG0902103BAABCA	
11	0201L00180 CONDENSER TUBING ASSY C1 COOL (M7, M20)	M2 - CPG0902103BASMCA	
21	0121L00357 FILTER ANGLE-VERTICAL (RETURN SIDE)	M3 - CPG0902103BAXXCA	
31	0121L00210 EVAP EXTENSION-RETURN SIDE	M4 - CPG0902103BHXACA	
41	0121L00498 EVAP EXTENSION-HAIRPIN SIDE	M5 - CPG0902103BJANCA	
51	0121L00932 FILTER ANGLE-HORIZONTAL (QTY 2)	M6 - CPG0902103BXAXCA	
61	0121L00298 FILTER ANGLE-HORIZONTAL (CENTER)	M7 - CPG0902103BXJXCA	
71	0121L00358 FILTER ANGLE-VERTICAL (HAIRPIN SIDE)	M8 - CPG0902103BXSXCA	
81	0202L00066 TUBING ASSY, EVAP COIL	M9 - CPG0902103BXXBCA	
111	0121L00508 DRAIN PAN SUPPORT	M10 - CPG0902103BXXCCA	
141	0161L00002 DRAIN PAN	M11 - CPG0902103BXXXCA	
151	0121L00374 DECK SIDE CHANNEL	M12 - CPG0902103HAABCA	
161	0121L00522 HEAT EXCHANGER BLOCK-OFF	M13 - CPG0902103HAAXCA	
301	0201L00129 COND COIL ASSY, 5MM C2 (M1, M2, M3, M4, M5, M6, M8, M9, M10, M11, M12, M13, M14, M15, M16, M17, M18, M19, M21, M22, M23, M24, M25, M26, M27, M28, M29, M30)	M14 - CPG0902103HXXXCA	
301	0201L00181 CONDENSER TUBING ASSY C2 COOL (M7, M20)	M15 - CPG0902104BAXXCA	
		M16 - CPG0902104BHXUCA	
		M17 - CPG0902104BHXZCA	
		M18 - CPG0902104BJANCA	
		M19 - CPG0902104BXABCA	
		M20 - CPG0902104BXDCCA	
		M21 - CPG0902104BXSXCA	
		M22 - CPG0902104BXXECA	
		M23 - CPG0902104BXXXCA	
		M24 - CPG0902107BASFCAC	
		M25 - CPG0902107BASXCA	
		M26 - CPG0902107BXSXCA	
		M27 - CPG0902107BXXXCA	
		M28 - CPG0902107HAAXCA	
		M29 - CPG0902107HAXXCA	
		M30 - CPG0902107HXXXCA	

Partition Assy



Partition Assy

Ref. Part No: No:	Description:	Ref. Part No: No:	Description:
-------------------	--------------	-------------------	--------------

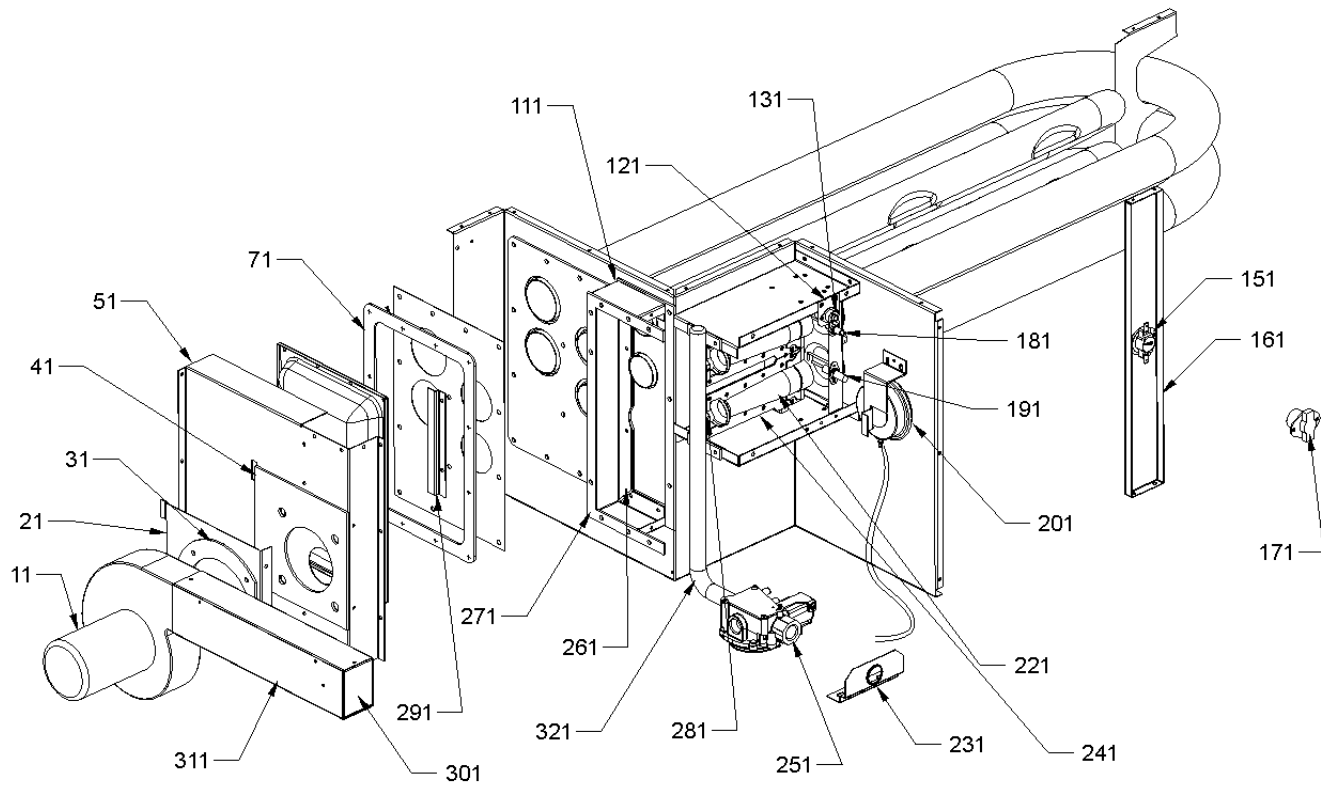
Image 1:

171	0121L00090	BLOWER TRANSITION, RH END
191	0121L00092	BLOWER TRANSITION, FRONT
201	0121L00928	DECK-BLOWER
211	0121L00097	BLOWER TRANSITION, LH END
221	0121L00145	BLOWER TRANSITION, BACK
241	ZP39K5ETF5830	COMPRESSOR 39000, 200/230/60/3 (M1, M2, M3, M4, M5, M6, M7, M8, M9, M10, M11, M12, M13, M14)
241	ZP39K5ETFD130	COMPRESSOR 39000, 460/60/3 (M15, M16, M17, M18, M19, M20, M21, M22, M23)
241	ZP39K5ETFE830	COMPRESSOR 39000, 575/60/3 (M24, M25, M26, M27, M28, M29, M30)
251	0159L00004	COMPRESSOR SCROLL HARNESS
251	0159L00005	COMPRESSOR SCROLL HARNESS
261	M0221641	TF SHOULDER SCREW (QTY 8)
271	B1339533	COMPRESSOR GROMMET (QTY 8)
281	0121L00408	COMPRESSOR MOUNTING PLATE (QTY 2)
NS	B1369608	AIR FILTER 20 X 16 X 2 (QTY 4)

Expanded Model Nomenclature

- M1 - CPG0902103BAABCA
- M2 - CPG0902103BASMCA
- M3 - CPG0902103BAXXCA
- M4 - CPG0902103BHXACA
- M5 - CPG0902103BJANCA
- M6 - CPG0902103BXAXCA
- M7 - CPG0902103BXJXCA
- M8 - CPG0902103BXSXCA
- M9 - CPG0902103BXXBCA
- M10 - CPG0902103BXXCCA
- M11 - CPG0902103BXXXCA
- M12 - CPG0902103HAABCA
- M13 - CPG0902103HAAXCA
- M14 - CPG0902103HXXXCA
- M15 - CPG0902104BAXXCA
- M16 - CPG0902104BHXUCA
- M17 - CPG0902104BHXZCA
- M18 - CPG0902104BJANCA
- M19 - CPG0902104BXABCA
- M20 - CPG0902104BXDCCA
- M21 - CPG0902104BXSXCA
- M22 - CPG0902104BXXECA
- M23 - CPG0902104BXXXCA
- M24 - CPG0902107BASFCA
- M25 - CPG0902107BASXCA
- M26 - CPG0902107BXSXCA
- M27 - CPG0902107BXXXCA
- M28 - CPG0902107HAAXCA
- M29 - CPG0902107HAXXCA
- M30 - CPG0902107HXXXCA

Heat Exchanger Assy



Heat Exchanger Assy

**Ref. Part
No: No:**

Description:

**Ref. Part
No: No:**

Description:

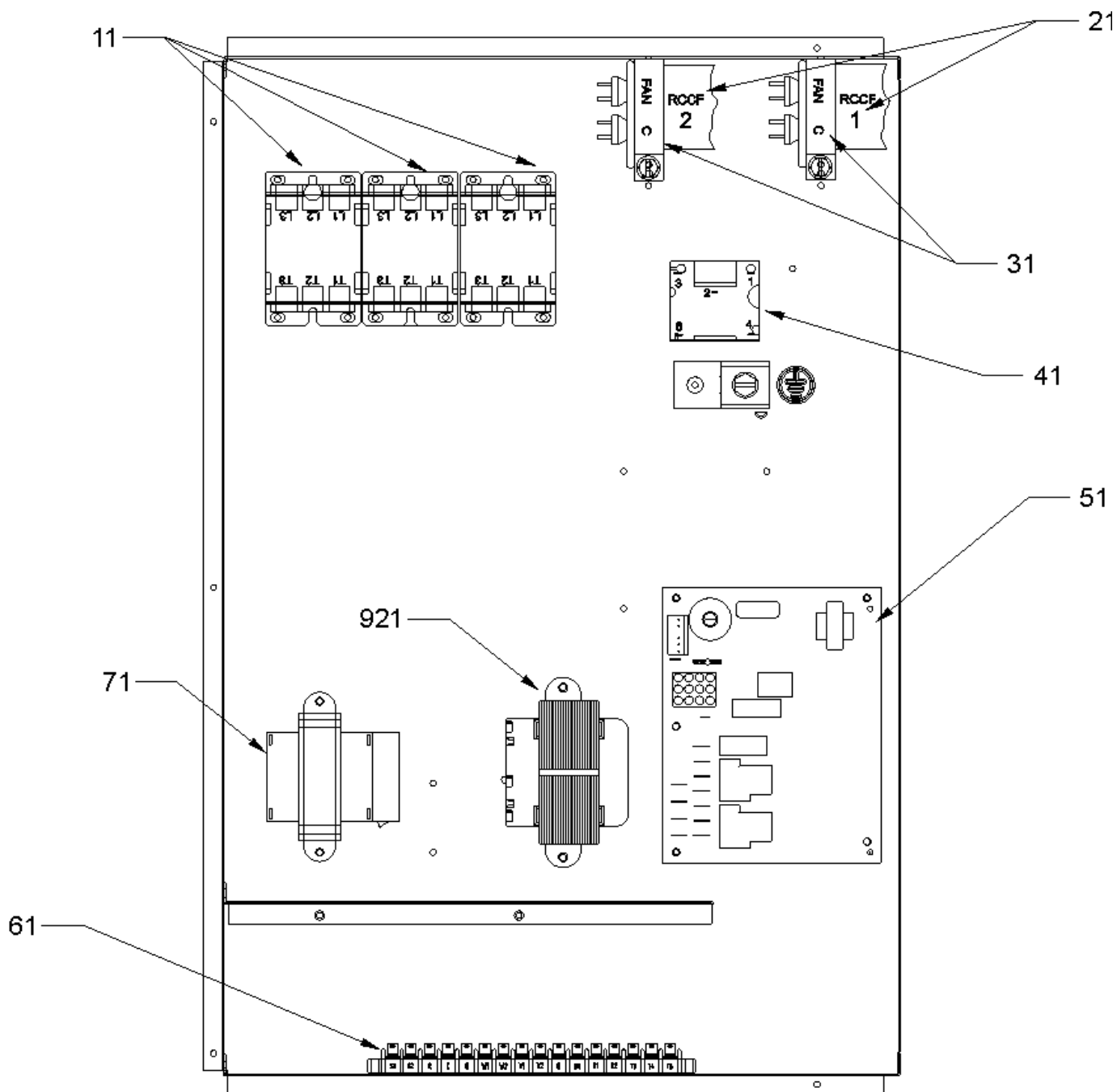
Image 1:

11	0131L00002	VENT MOTOR
21	0121L00080	MOUNTING PLATE-ID BLOWER
31	0154L00007	GASKET, BLOWER/ORIFICE PLATE
41	0154L00006	GASKET, COLLECTOR/ORIFICE PLATE
51	0121L00077	COLLECTOR BOX COVER
71	0154L00010	REAR COVER GASKET, HEAT EXCHANGER
111	0121L00076	COLLECTOR BOX CHANNEL
121	0121L00323	FLAME ROLLOUT BRACKET
131	10123532	MANUAL RESET LIMIT 350°F
151	B1370199	PRIMARY LIMIT SWITCH 190°F
161	0121L00093	LIMIT SWITCH-POST
171	0130F00036	PRIMARY LIMIT - PINK
181	0130F00010	FLAME SENSOR
191	20261709	IGNITOR
201	11112501	PRESSURE SWITCH
221	0163L00000	BECKETT BURNER (QTY 6)
231	0121L00147	PIPE BRACKET-GAS VALVE
241	0121L00075	BURNER BRACKET 6B
251	0151L00000	GAS VALVE (36H)
261	0154L00011	INNER GASKET, COLLECTOR BOX
271	0154L00012	OUTER GASKET, COLLECTOR BOX
281	0163L00007	ORIFICE #34 DRILL (QTY 6)
291	0121L00073	TUBE RESTRICTOR
301	0163L00006	FLUE SCREEN
311	0121L00049	HEAT EXCHANGER FLUE (QTY 2)
321	0163L00010	MANIFOLD - 6 BRNR
NS	0121L00130DG	FLUE COLLAR
NS	B1392609	SEAL STRIP, RED, 1/8 X 1/2 X 100 (QTY 3)

Expanded Model Nomenclature

M1 - CPG0902103BAABCA
M2 - CPG0902103BASMCA
M3 - CPG0902103BAXXCA
M4 - CPG0902103BHXACA
M5 - CPG0902103BJANCA
M6 - CPG0902103BXAXCA
M7 - CPG0902103BXJXCA
M8 - CPG0902103BXSXCA
M9 - CPG0902103BXXBCA
M10 - CPG0902103BXXCCA
M11 - CPG0902103BXXXCA
M12 - CPG0902103HAABCA
M13 - CPG0902103HAAXCA
M14 - CPG0902103HXXXCA
M15 - CPG0902104BAXXCA
M16 - CPG0902104BHXUCA
M17 - CPG0902104BHXZCA
M18 - CPG0902104BJANCA
M19 - CPG0902104BXABCA
M20 - CPG0902104BXDCCA
M21 - CPG0902104BXSXCA
M22 - CPG0902104BXXECA
M23 - CPG0902104BXXXCA
M24 - CPG0902107BASFCFA
M25 - CPG0902107BASXCA
M26 - CPG0902107BXSXCA
M27 - CPG0902107BXXXCA
M28 - CPG0902107HAAXCA
M29 - CPG0902107HAXXCA
M30 - CPG0902107HXXXCA

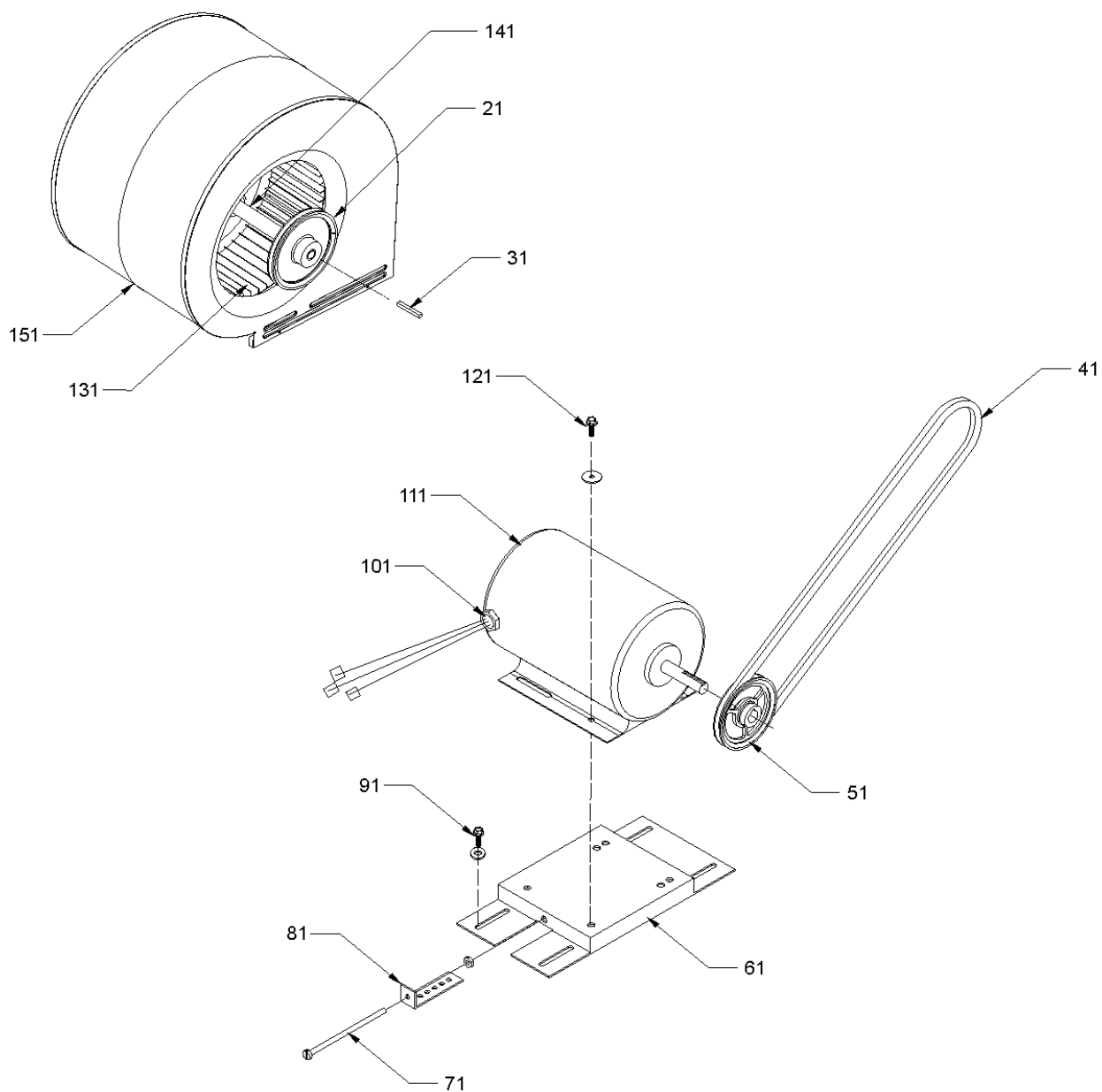
Control Box Assy



Control Box Assy

Ref. Part No:	Description:	Ref. Part No:	Description:
Image 1:		Expanded Model Nomenclature	
11	CONT3P025024V CONTACTOR 25 AMP, 3P, 24V (QTY 3)	M1	CPG0902103BAABCA
21	CAP050000370VA CAPACITOR 5/370V (QTY 2)	M2	CPG0902103BASMCA
31	20520901 CAPACITOR STRAP (QTY 2)	M3	CPG0902103BAXXCA
41	0130M00025 24V RELAY	M4	CPG0902103BHXACA
51	PCBAG123 IGNITION BOARD, DSI INTEGRATED	M5	CPG0902103BJANCA
61	0130M00038 TERMINAL BOARD	M6	CPG0902103BXAXCA
71	0130M00144 TRANSFORMER (M1, M2, M3, M4, M5, M6, M7, M8, M9, M10, M11, M12, M13, M14)	M7	CPG0902103BXJXCA
71	B1141663 TRANSFORMER 460V TO 230V, 150 VA (M15, M16, M17, M18, M19, M20, M21, M22, M23)	M8	CPG0902103BXSXCA
71	0130M00044 TRANSFORMER 575/230V (M24, M25, M26, M27, M28, M29, M30)	M9	CPG0902103BXXBCA
921	0130M00144 TRANSFORMER (M1, M2, M3, M4, M5, M6, M7, M8, M9, M10, M11, M12, M13, M14)	M10	CPG0902103BXXCCA
921	B1141663 TRANSFORMER 460V TO 230V, 150 VA (M15, M16, M17, M18, M19, M20, M21, M22, M23)	M11	CPG0902103BXXXCA
921	0130M00148 TRANSFORMER 575V to 24V, 75VA (M24, M25, M26, M27, M28, M29, M30)	M12	CPG0902103HAABCA
NS	0259L00031 12-PIN HARNESS	M13	CPG0902103HAAXCA
NS	0259L00021 CONTROL HARNESS (M15, M16, M17, M18, M19, M20, M21, M22, M23, M24, M25, M26, M27, M28, M29, M30)	M14	CPG0902103HXXCA
NS	0259L00022 CONTROL HARNESS (M1, M2, M3, M4, M5, M6, M7, M8, M9, M10, M11, M12, M13, M14)	M15	CPG0902104BAXXCA
NS	0259L00033 ECONOMIZER HARNESS	M16	CPG0902104BHXUCA
		M17	CPG0902104BHXZCA
		M18	CPG0902104BJANCA
		M19	CPG0902104BXABCA
		M20	CPG0902104BXDCCA
		M21	CPG0902104BXSXCA
		M22	CPG0902104BXXECA
		M23	CPG0902104BXXXCA
		M24	CPG0902107BASFC
		M25	CPG0902107BASXCA
		M26	CPG0902107BXSXCA
		M27	CPG0902107BXXXCA
		M28	CPG0902107HAAXCA
		M29	CPG0902107HAXXCA
		M30	CPG0902107HXXXCA

Belt Drive Blower/Motor Assy



Belt Drive Blower/Motor Assy

Ref. Part No:	Description:	Ref. Part No:	Description:
<i>Image 1:</i>		Expanded Model Nomenclature	
21	B3204303	FIXED SHEAVE AK61 (M12, M13, M14, M28, M29, M30)	M1 - CPG0902103BAABCA
21	0163L00011	FIXED SHEAVE AK74	M2 - CPG0902103BASMCA
31	B1398604	STEEL KEY (000158812) 2.0"	M3 - CPG0902103BAXXCA
41	0164L00001	NOTCHED FAN BELT AX49 (M12, M13, M14, M28, M29, M30)	M4 - CPG0902103BHXACA
41	0164L00000	NOTCHED FAN BELT AX51	M5 - CPG0902103BJANCA
51	0163L00024	VARIABLE PITCH SHEAVE 1VL40 X 5/8" (M24, M25, M26, M27, M28, M29, M30)	M6 - CPG0902103BXAXCA
51	0163L00012	VARIABLE PITCH SHEAVE VL40 (M1, M2, M3, M4, M5, M6, M7, M8, M9, M10, M11, M12, M13, M14, M15, M16, M17, M18, M19, M20, M21, M22, M23)	M7 - CPG0902103BXJXCA
61	0270L00015	MOTOR BASE ASSY	M8 - CPG0902103BXSXCA
71	0163M00045	BOLT 1/4-20 X 4"	M9 - CPG0902103BXXBCA
81	3225000F	BELT TIGHTENER ANGLE	M10 - CPG0902103BXXCCA
91	B1446707	SCREW 5/16-18 X 1" (QTY 4)	M11 - CPG0902103BXXXCA
101	B1393726	ELECT. CONNECTING BUSHING	M12 - CPG0902103HAABCA
111	B3240007	BELT DRIVE MOTOR 1.5 HP (M1, M2, M3, M4, M5, M6, M7, M8, M9, M10, M11, M12, M13, M14, M15, M16, M17, M18, M19, M20, M21, M22, M23)	M13 - CPG0902103HAAXCA
111	0131L00004	BELT DRIVE MOTOR 1.5 HP 575V (M24, M25, M26, M27, M28, M29, M30)	M14 - CPG0902103HXXCA
121	B1393738	BOLT 1/4-20 X 3/4" (QTY 4)	M15 - CPG0902104BAXXCA
131	03-77429	BLOWER WHEEL	M16 - CPG0902104BHXUCA
141	04-11525	BLOWER SHAFT	M17 - CPG0902104BHXZCA
151	04-01525	BLOWER HOUSING	M18 - CPG0902104BJANCA
NS	04-02196	BLOWER BEARING & FRAME ASSY	M19 - CPG0902104BXABCA
			M20 - CPG0902104BXDCCA
			M21 - CPG0902104BXSXCA
			M22 - CPG0902104BXXECA
			M23 - CPG0902104BXXXCA
			M24 - CPG0902107BASFC
			M25 - CPG0902107BASXCA
			M26 - CPG0902107BXSXCA
			M27 - CPG0902107BXXXCA
			M28 - CPG0902107HAAXCA
			M29 - CPG0902107HAXXCA
			M30 - CPG0902107HXXXCA

ACCESSORY PARTS LIST

Accessory Parts

Ref. Part No:	Description:	Ref. Part No:	Description:
Image 1:			
NS 0130M00065	CIRCUIT BREAKER, CONVENIENCE OUTLET (M1, M2, M5, M9, M12, M18, M19)		
NS 0270L00274	CONVENIENCE OUTLET ASSY-NP (M1, M2, M4, M5, M9, M12, M16, M18, M19, M24)		
NS DSC060B53N001FI	DISCONNECT MODULE ASSY (M4, M16, M17)		
NS DSC060B53Y001FI	DISCONNECT MODULE ASSY (M5, M18)		
NS DNECONGS90120	ECONOMIZER DOWNFLOW GAS/AC (M1, M2, M3, M5, M12, M13, M15, M18, M24, M25, M28, M29)		
NS HAILGD02FI	HAIL GUARD ASSY (M1, M5, M6, M12, M13, M18, M19, M20, M28)		
NS LAKT03	LOW AMBIENT KIT (M2, M10, M24)		
NS LAKT03	LOW AMBIENT KIT (M16, M20)		
NS SDRKT01FI75T12	SMOKE DETECTOR ASSEMBLY (M5, M16, M18)		
NS SDSKT01FI75T12	SMOKE DETECTOR ASSEMBLY (M22)		
NS SDSRKT01FI75T12	SMOKE DETECTOR ASSEMBLY (M17)		
NS 0130M00061	TRANSFORMER, CONVENIENCE OUTLET (M1, M2, M5, M9, M12, M18, M19)		

Expanded Model Nomenclature

- M1 - CPG0902103BAABCA
- M2 - CPG0902103BASMCA
- M3 - CPG0902103BAXXCA
- M4 - CPG0902103BHXACA
- M5 - CPG0902103BJANCA
- M6 - CPG0902103BXAXCA
- M7 - CPG0902103BXJXCA
- M8 - CPG0902103BXSXCA
- M9 - CPG0902103BXXBCA
- M10 - CPG0902103BXXCCA
- M11 - CPG0902103BXXXCA
- M12 - CPG0902103HAABCA
- M13 - CPG0902103HAAXCA
- M14 - CPG0902103HXXXCA
- M15 - CPG0902104BAXXCA
- M16 - CPG0902104BHXUCA
- M17 - CPG0902104BHXZCA
- M18 - CPG0902104BJANCA
- M19 - CPG0902104BXABCA
- M20 - CPG0902104BXDCCA
- M21 - CPG0902104BXSXCA
- M22 - CPG0902104BXXECA
- M23 - CPG0902104BXXXCA
- M24 - CPG0902107BASFCA
- M25 - CPG0902107BASXCA
- M26 - CPG0902107BXSXCA
- M27 - CPG0902107BXXXCA
- M28 - CPG0902107HAAXCA
- M29 - CPG0902107HAXXCA
- M30 - CPG0902107HXXXCA