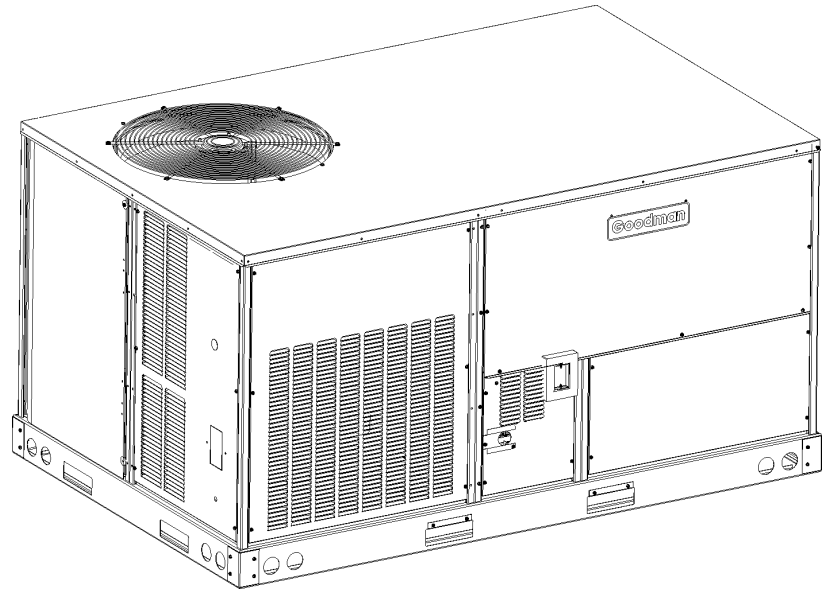


REPAIR PARTS

Commercial 5 & 6 Ton Package Gas Units

CPG0600903BXXXCA
CPG0600904BXXXCA
CPG0601403BHXBCA
CPG0601403BXXXCA
CPG0601403HXXXCA
CPG0601404BXXXCA
CPG0601407BASXCA
CPG0601407BXXXCA
CPG0721403BXXXCA
CPG0721403HXXXCA
CPG0721404BXXXCA
CPG0721407BXXXCA
CPG0721407HXXXCA



This manual is to be used by qualified technicians only.

This manual replaces RP-709B.

© 2016 Goodman Manufacturing Company, L.P. ♦ 5151 San Felipe St., Suite 500 ♦ Houston, TX 77056

Important Information

Index

Functional Parts List	3
Illustration and Parts	4 - 15

Views shown are for parts illustrations only, not servicing procedures

Text Codes:

AR - As Required

NA - Not Available

NS - Not Shown

00000000 - See Note

QTY - Quantity Example (QTY 3) (If Quantity not shown, Quantity = 1)

M - Model Example (M1) (If M Code not shown, then part is used on all Models)

Expanded Model Nomenclature:

Example M1 - Model#1 M2 - Model#2 M3 - Model#3

Goodman Manufacturing Company, L.P. is not responsible for personal injury or property damage resulting from improper service. Review all service information before beginning repairs.

Warranty service must be performed by an authorized technician, using authorized factory parts. If service is required after the warranty expires, Goodman Manufacturing Company, L.P. also recommends contacting an authorized technician and using authorized factory parts.

Goodman Manufacturing Company, L.P. reserves the right to discontinue, or change at any time, specifications or designs without notice or without incurring obligations.

For assistance within the U.S.A. contact:
Homeowner Support
Goodman Manufacturing Company, L.P.
19001 Kermier Road
Waller, Texas 77484
877-254-4729-Telephone
713-863-2382-Facsimile

For assistance outside the U.S.A. contact:
International Division
Goodman Manufacturing Company, L.P.
19001 Kermier Road
Waller, Texas 77484
713-861-2500-Telephone
713-863-2382-Facsimile

Functional Parts

Part No: **Description:**

Part No:	Description:	Expanded Model Nomenclature
0130M00025	24V RELAY	M1 - CPG0600903BXXXCA
0131L00003	BELT DRIVE MOTOR 1 HP (M1, M2, M3, M4, M6)	M2 - CPG0600904BXXXCA
B3240007	BELT DRIVE MOTOR 1.5 HP (M5, M9, M11)	M3 - CPG0601403BHXXCA
0131L00004	BELT DRIVE MOTOR 1.5 HP 575V (M7, M8, M12)	M4 - CPG0601403BXXXCA
B3240006	BELT DRIVE MOTOR 2 HP (M10)	M5 - CPG0601403HXXXCA
0131L00005	BELT DRIVE MOTOR 2 HP 575 V (M13)	M6 - CPG0601404BXXXCA
CAP050000370LA	CAPACITOR 5/370V	M7 - CPG0601407BASXCA
ZP51K5ETF5130	COMPRESSOR 51000, 208/230/60/3 (M1, M3, M4, M5)	M8 - CPG0601407BXXXCA
ZP51K5ETFD130	COMPRESSOR 51000, 460/60/3 (M2, M6)	M9 - CPG0721403BXXXCA
ZP51K5ETFE130	COMPRESSOR 51000, 575/60/3 (M7, M8)	M10 - CPG0721403HXXXCA
ZP61KCETF5130	COMPRESSOR 61500, 200/230/60/3 (M9, M10)	M11 - CPG0721404BXXXCA
ZP61KCETFD130	COMPRESSOR 61500, 460/60/3 (M11)	M12 - CPG0721407BXXXCA
ZP61KCETFE130	COMPRESSOR 61500, 575/60/3 (M12, M13)	M13 - CPG0721407HXXXCA
0131M00430	COND MOTOR 1/3 HP, 1 SP, 6 PL (M9, M10)	
B13400249	COND MOTOR 1/3 HP, 460V (M11)	
0131M00179	COND MOTOR 1/3 HP, 6 PL, 575V (M12, M13)	
0131M00429	COND MOTOR 1/4 HP, 1 SP, 6 PL (M1, M3, M4, M5)	
B13400269	COND MOTOR 380/460 50/60 CYCLE (M2, M6)	
0131M00098	COND MOTOR 575V (M7, M8)	
CONT3P025024V	CONTACTOR 25 AMP, 3P, 24V (M2, M6, M7, M8, M11, M12, M13)	
CONT3P030024V	CONTACTOR 30 AMP, 3P, 24V (M1, M3, M4, M5, M9, M10)	
0130M00074	CUT-OUT SWITCH, HIGH PRESSURE	
0130M00087	CUT-OUT SWITCH, LOW PRESSURE	
0130F00010	FLAME SENSOR	
0151F00000P	GAS VALVE - WHITE-RODGERS 2-STAGE	
PCBAG123	IGNITION BOARD, DSI INTEGRATED	
20261709	IGNITOR	
10123532	MANUAL RESET LIMIT 350°F	
11112501	PRESSURE SWITCH	
20162903	PRIMARY LIMIT - BLUE (M1, M2)	
0130M00063	PRIMARY LIMIT - GOLD 140° (M9, M10, M11, M12, M13)	
0130F00037	PRIMARY LIMIT - GRAY 150° (M9, M10, M11, M12, M13)	
0130F00035	PRIMARY LIMIT - PURPLE 220° (M3, M4, M5, M6, M7, M8)	
20162905	PRIMARY LIMIT-YELLOW (M1, M2, M3, M4, M5, M6, M7, M8)	
0130M00138	TRANSFORMER 208/230, 24V (M1, M3, M4, M5, M9, M10)	
0130M00146	TRANSFORMER 480V TO 230V, 150VA (M2, M6, M11)	
0130M00145	TRANSFORMER 480V to 24V, 75VA (M2, M6, M11)	
0130M00147	TRANSFORMER 575V TO 230V, 150VA (M7, M8, M12, M13)	
0130M00148	TRANSFORMER 575V to 24V, 75VA (M7, M8, M12, M13)	

Top Panel/Tubing Assy

Image 1

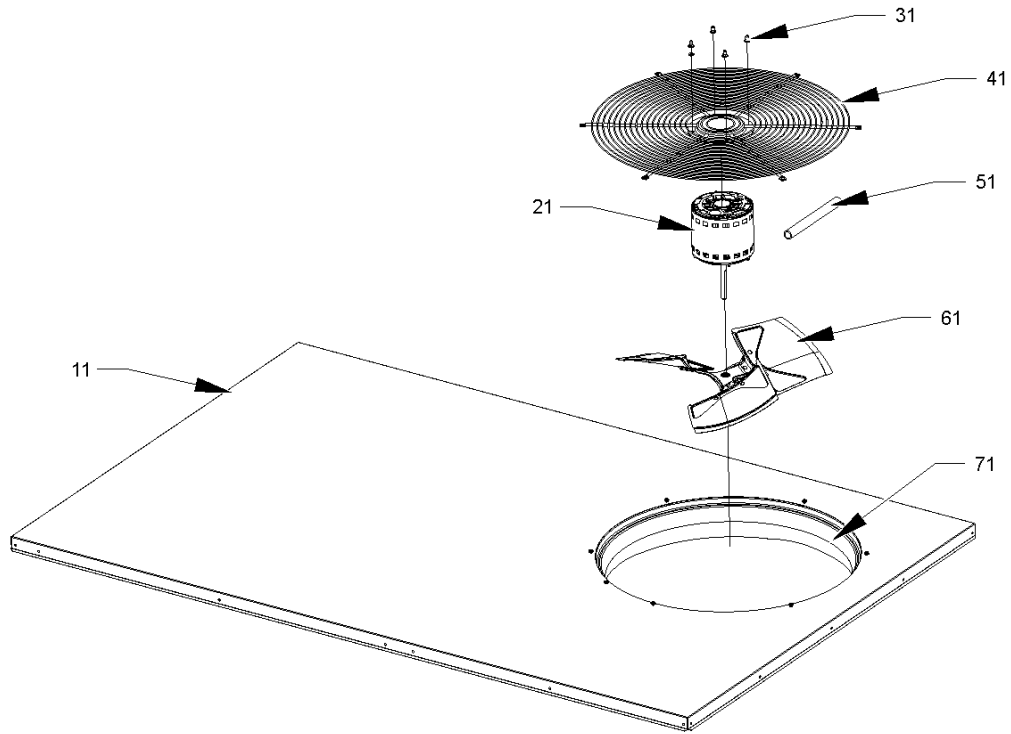
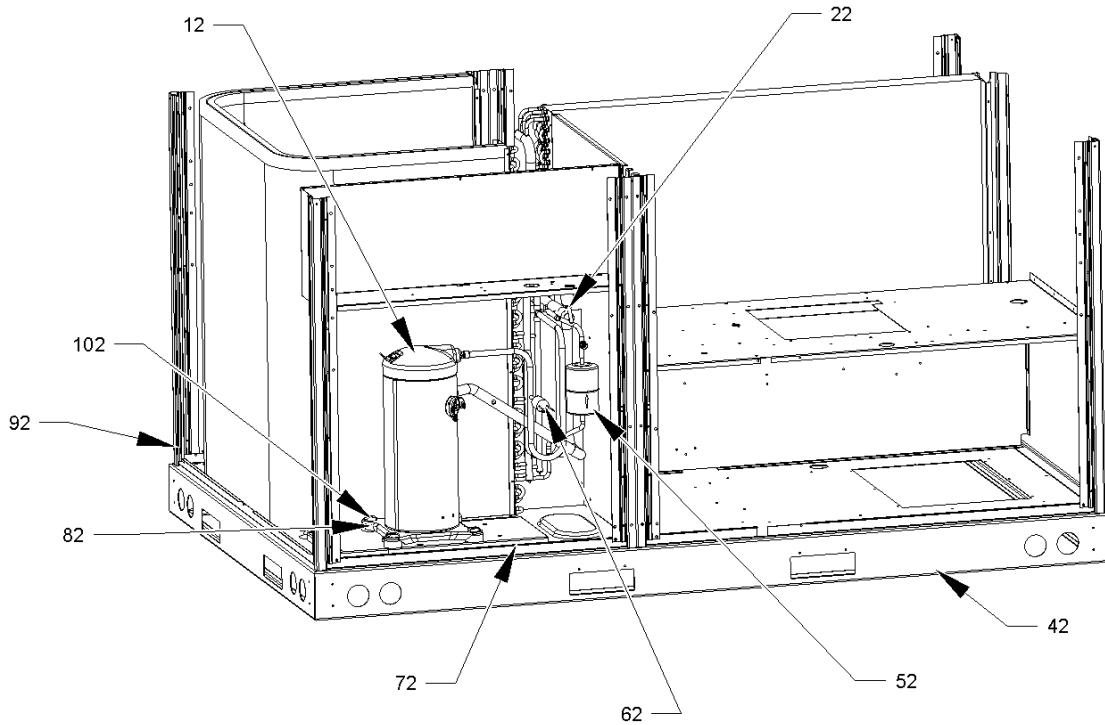


Image 2



Top Panel/Tubing Assy

Ref. Part No: No:	Description:	Ref. Part No: No:	Description:
-------------------	--------------	-------------------	--------------

Image 1:

11	0121L00235DG	TOP, PAINTED
21	0131M00430	COND MOTOR 1/3 HP, 1 SP, 6 PL (M9, M10)
21	B13400249	COND MOTOR 1/3 HP, 460V (M11)
21	0131M00179	COND MOTOR 1/3 HP, 6 PL, 575V (M12, M13)
21	0131M00429	COND MOTOR 1/4 HP, 1 SP, 6 PL (M1, M3, M4, M5)
21	B13400269	COND MOTOR 380/460 50/60 CYCLE (M2, M6)
21	0131M00098	COND MOTOR 575V (M7, M8)
31	0163M00006P	ACORN NUT 5/16 HEX BLACK (QTY 4)
41	0152G00003	FAN GRILLE
51	17788000083F	PVC CONDUIT 8.25"
61	0150G00004	FAN BLADE (M1, M2, M3, M4, M5, M6, M7, M8, M12, M13)
61	B1086765	FAN BLADE TYPE 3 (M9, M10, M11)
71	0161L00000	VENTURI RING 22"

Image 2:

12	ZP51K5ETF5130	COMPRESSOR 51000, 208/230/60/3 (M1, M3, M4, M5)
12	ZP51K5ETFD130	COMPRESSOR 51000, 460/60/3 (M2, M6)
12	ZP51K5ETFE130	COMPRESSOR 51000, 575/60/3 (M7, M8)
12	ZP61KCETF5130	COMPRESSOR 61500, 200/230/60/3 (M9, M10)
12	ZP61KCETFD130	COMPRESSOR 61500, 460/60/3 (M11)
12	ZP61KCETFE130	COMPRESSOR 61500, 575/60/3 (M12, M13)
22	0130M00087	CUT-OUT SWITCH, LOW PRESSURE
42	0121L00244RF	SIDE RAIL (QTY 2)
52	20485201	BI-FLOW FILTER DRIER (M9, M10, M11, M12, M13)
52	0162R00009	FILTER DRIER (M1, M2, M3, M4, M5, M6, M7, M8)
62	0130M00074	CUT-OUT SWITCH, HIGH PRESSURE
72	0121L00310	COMPRESSOR MOUNTING PLATE
82	B1339533	COMPRESSOR GROMMET (QTY 4)
92	0121L00245	END RAIL (QTY 2)
102	M0221641	TF SHOULDER SCREW (QTY 4)
NS	0159L00065	Harness, comp scroll

Expanded Model Nomenclature

M1 - CPG0600903BXXXCA
M2 - CPG0600904BXXXCA
M3 - CPG0601403BHXBCA
M4 - CPG0601403BXXXCA
M5 - CPG0601403HXXXCA
M6 - CPG0601404BXXXCA
M7 - CPG0601407BASXCA
M8 - CPG0601407BXXXCA
M9 - CPG0721403BXXXCA
M10 - CPG0721403HXXXCA
M11 - CPG0721404BXXXCA
M12 - CPG0721407BXXXCA
M13 - CPG0721407HXXXCA

Cabinet Assy

Image 1

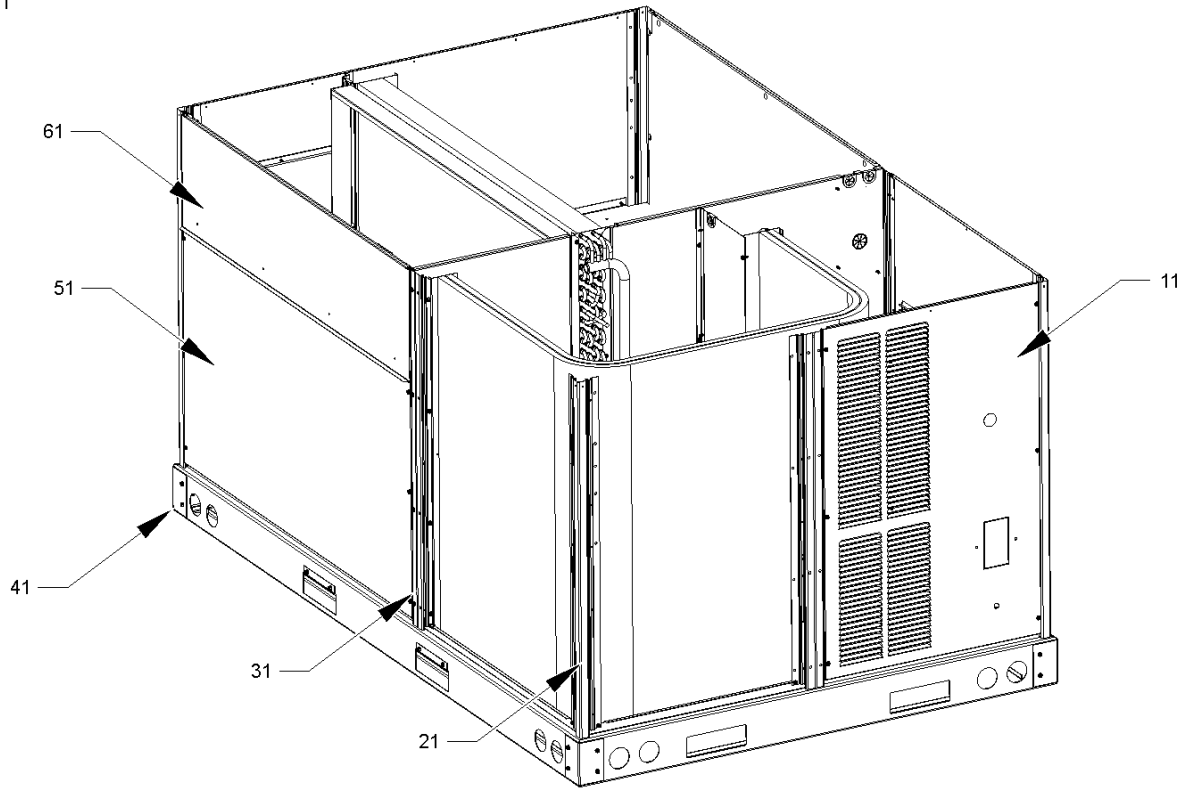
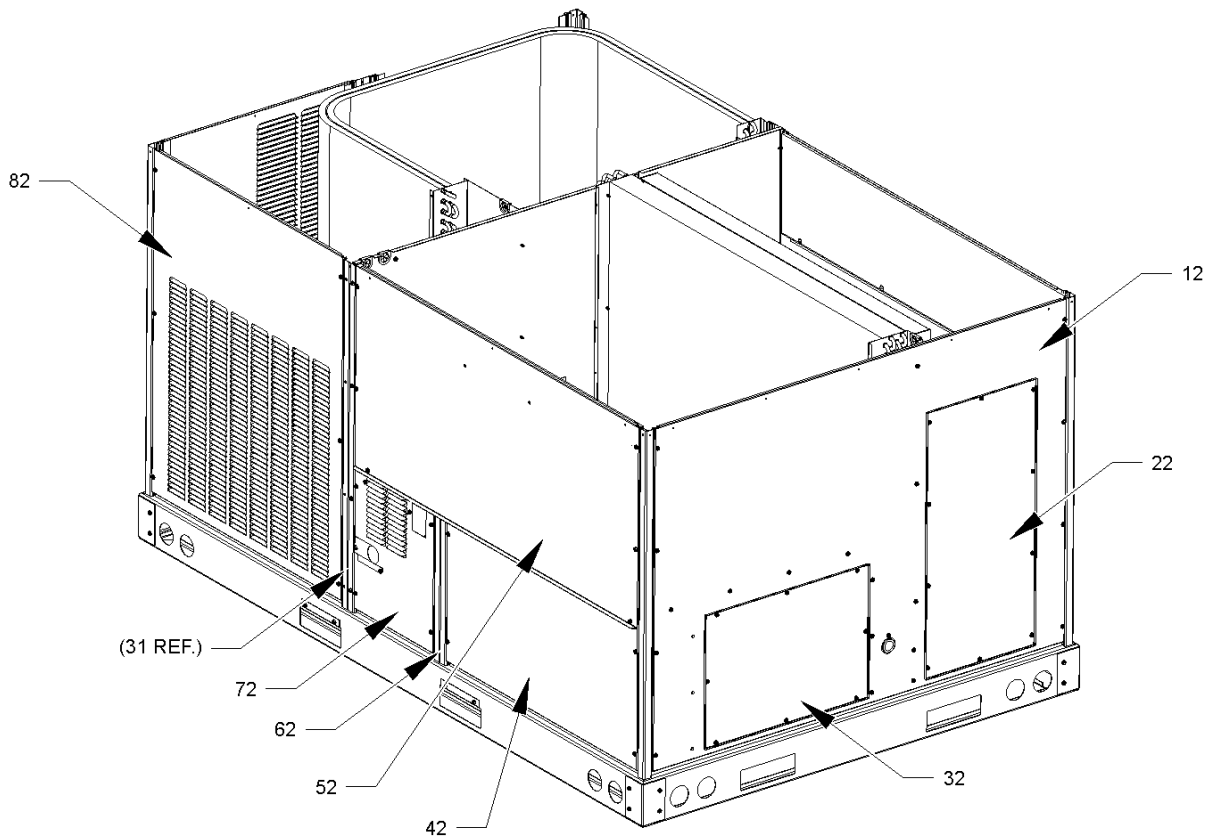


Image 2



Cabinet Assy

Ref. Part No: No:	Description:	Ref. Part No: No:	Description:
-------------------	--------------	-------------------	--------------

Image 1:

11	0121L00263DG	LOUVERED COMPRESSOR PANEL (M1, M2, M4, M5, M6, M7, M8)
11	0121L00354DG	LOUVERED COMPRESSOR PANEL (M9, M10, M11, M12, M13)
11	0121L00836DG	LOUVERED COMPRESSOR PANEL (M3)
21	0121L00237RFDG	CORNER POST (M1, M2, M3, M4, M5, M6, M7, M8)
21	0121L00344RFDG	CORNER POST (M9, M10, M11, M12, M13)
31	0121L00233RFDG	POST-SIDE SUPPORT (M1, M2, M3, M4, M5, M6, M7, M8)
31	0121L00343RFDG	POST-SIDE SUPPORT (M9, M10, M11, M12, M13)
41	0121G00301	RAIL CORNER BRACKET (QTY 4)
51	0121L00976DG	DOOR-ECONOMIZER, PAINTED
61	0270L00362DG	DOOR-FILTER, ASSY, PAINTED (M1, M2, M3, M4, M5, M6, M7, M8)
61	0270L00363DG	DOOR-FILTER, ASSY, PAINTED (M9, M10, M11, M12, M13)

Image 2:

12	0121L00342DG	DUCT PANEL-PAINTED (M9, M10, M11, M12, M13)
12	0121L00236DG	PANEL-DUCT, PAINTED (M1, M2, M3, M4, M5, M6, M7, M8)
22	0121L00023DG	PNT-RETURN DUCT COVER
32	0121L00024DG	PNT-SUPPLY DUCT COVER
42	0121L00257DG	DOOR-HEAT EXCHANGER, PAINTED
52	0121L00259DG	DOOR-BLOWER, PAINTED (M1, M2, M3, M4, M5, M6, M7, M8)
52	0121L00346DG	DOOR-BLOWER, PAINTED (M9, M10, M11, M12, M13)
62	0121L00255RFDG	POST-BURNER DOOR
72	0121L00706DG	DOOR-BURNERS, PAINTED
82	0121L00262DG	LOUVERED CONTROL PANEL (M1, M2, M3, M4, M5, M6, M7, M8)
82	0121L00353DG	LOUVERED CONTROL PANEL (M9, M10, M11, M12, M13)
NS	0121L00295DG	FLUE COLLAR
NS	0121L00689	RAIN SHIELD-DOOR

Expanded Model Nomenclature

M1 - CPG0600903BXXXCA
M2 - CPG0600904BXXXCA
M3 - CPG0601403BHXBCA
M4 - CPG0601403BXXXCA
M5 - CPG0601403HXXXCA
M6 - CPG0601404BXXXCA
M7 - CPG0601407BASXCA
M8 - CPG0601407BXXXCA
M9 - CPG0721403BXXXCA
M10 - CPG0721403HXXXCA
M11 - CPG0721404BXXXCA
M12 - CPG0721407BXXXCA
M13 - CPG0721407HXXXCA

Partition Assy

Image 1

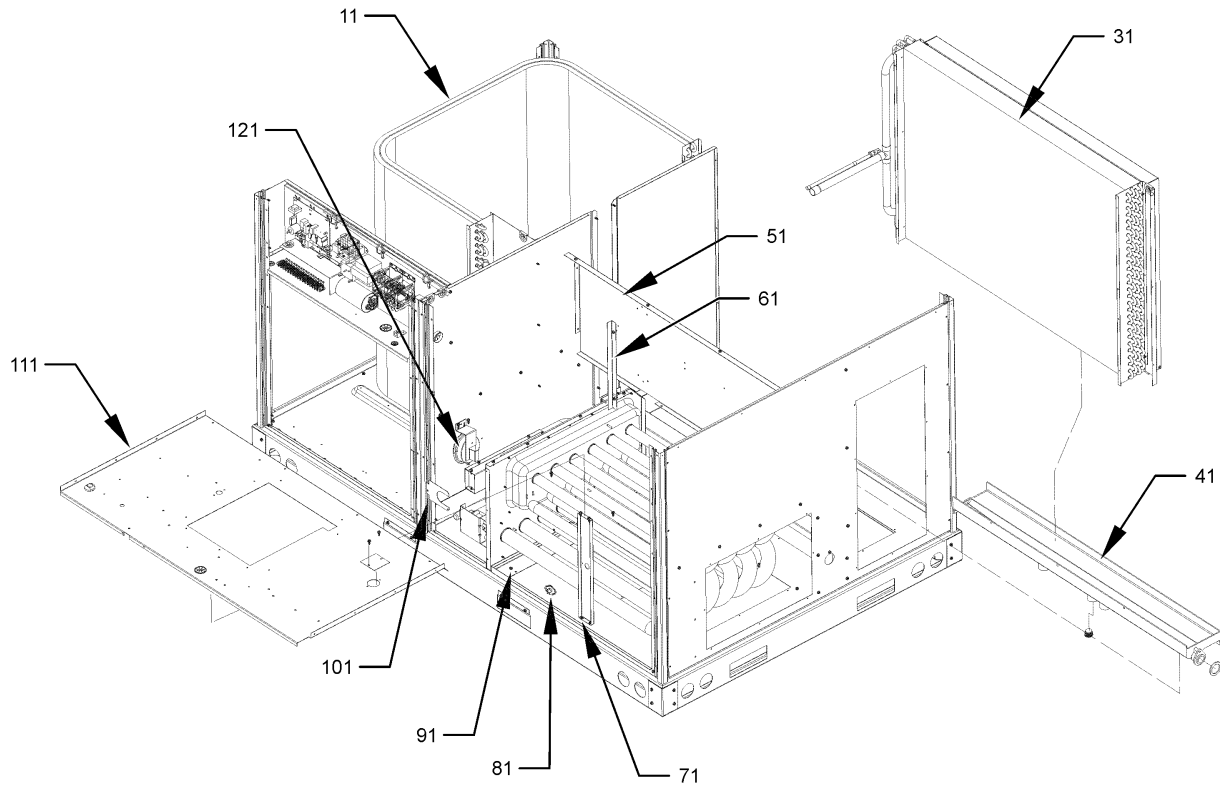
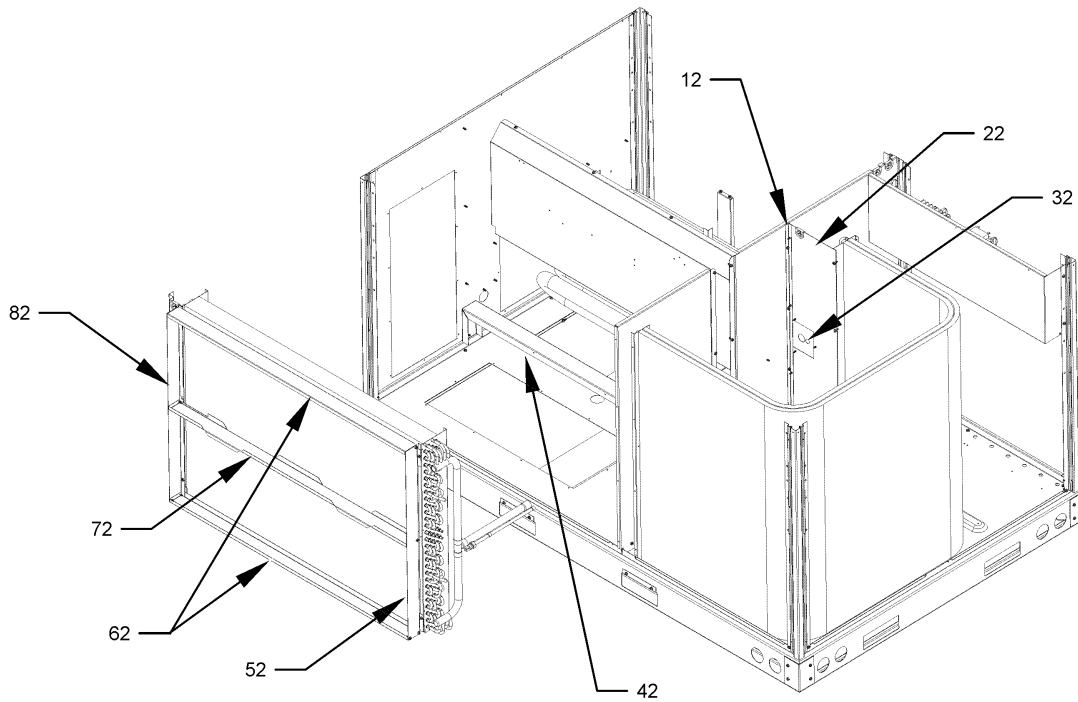


Image 2



Partition Assy

**Ref. Part
No: No:**

Description:

**Ref. Part
No: No:**

Description:

Image 1:

11	0201L00145	CONDENSER COIL ASSY (M9, M10, M11, M12, M13)
11	0201L00141	TUBING ASSY, COND COIL (M1, M2, M3, M4, M5, M6, M7, M8)
31	0202L00020	TUBING ASSY, EVAP COIL (M1, M2, M3, M4, M5, M6, M7, M8)
31	0202L00032	TUBING ASSY, EVAP COIL (M9, M10, M11, M12, M13)
41	0161L00005	DRAIN PAN
51	0121L00243	DECK SIDE CHANNEL
61	0121L00293	BACK ANGLE-HEAT EXCHANGER (QTY 2)
71	0121L00300	SUPPORT POST-DECK
81	20162903	PRIMARY LIMIT - BLUE (M1, M2)
81	0130M00063	PRIMARY LIMIT - GOLD 140° (M9, M10, M11, M12, M13)
81	0130F00035	PRIMARY LIMIT - PURPLE 220° (M3, M4, M5, M6, M7, M8)
91	0121L00266	HEAT PANEL CHANNEL (QTY 2)
101	0121L00299NG	GAS VALVE BRACKET
111	0121L01205	BLOWER DECK
121	11112501	PRESSURE SWITCH
NS	A3468601	PRESSURE SWITCH HOSE
NS	0121L00321	SMOKE DETECTOR COVER (M1, M2, M3, M4, M5, M6, M7, M8)

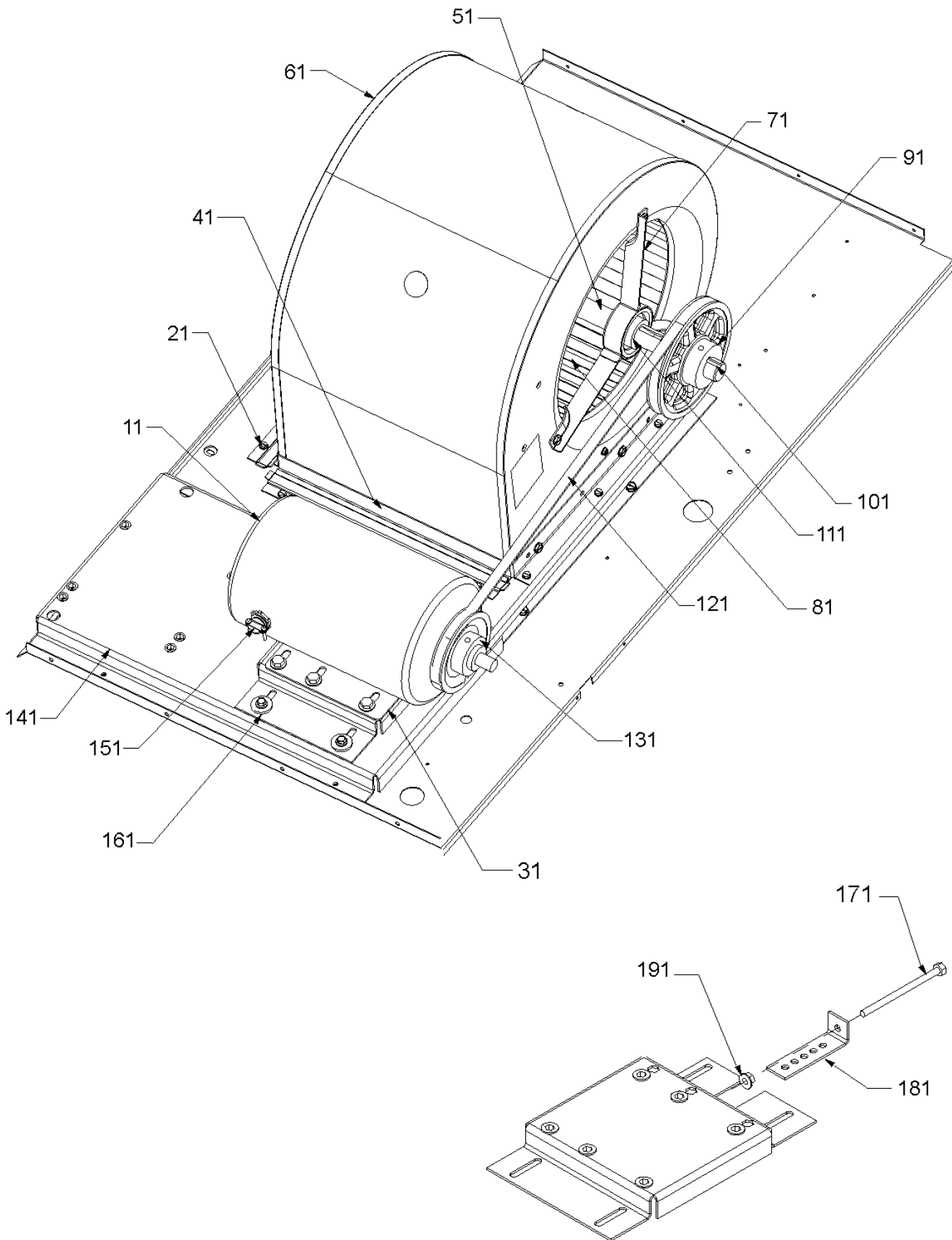
Expanded Model Nomenclature

M1 - CPG0600903BXXXCA
M2 - CPG0600904BXXXCA
M3 - CPG0601403BHXXBCA
M4 - CPG0601403BXXXCA
M5 - CPG0601403HXXXCA
M6 - CPG0601404BXXXCA
M7 - CPG0601407BASXCA
M8 - CPG0601407BXXXCA
M9 - CPG0721403BXXXCA
M10 - CPG0721403HXXXCA
M11 - CPG0721404BXXXCA
M12 - CPG0721407BXXXCA
M13 - CPG0721407HXXXCA

Image 2:

12	0121L00254	COND MOUNTING ANGLE (M1, M2, M3, M4, M5, M6, M7, M8)
12	0121L00349	COND MOUNTING ANGLE (M9, M10, M11, M12, M13)
22	0121L00882	BLOCKOFF-CONDENSER (M1, M2, M3, M4, M5, M6, M7, M8)
22	0121L00889	BLOCKOFF-CONDENSER (M9, M10, M11, M12, M13)
32	0121L00939	CONDENSER BLOCKOFF PLATE
42	0121L00238	DRAIN PAN SUPPORT
52	0121L00287	FILTER ANGLE-VERTICAL (RETURN SIDE) (M1, M2, M3, M4, M5, M6, M7, M8)
52	0121L00357	FILTER ANGLE-VERTICAL (RETURN SIDE) (M9, M10, M11, M12, M13)
62	0121L00932	FILTER ANGLE-HORIZONTAL (QTY 2)
72	0121L01255	FILTER ANGLE-HORIZONTAL (CENTER)
82	0121L00303	FILTER ANGLE-VERTICAL (HAIRPIN SIDE) (M1, M2, M3, M4, M5, M6, M7, M8)
82	0121L00358	FILTER ANGLE-VERTICAL (HAIRPIN SIDE) (M9, M10, M11, M12, M13)
NS	0160L00173	AIR FILTER 14 X 20 X 2 (M1, M2, M3, M4, M5, M6, M7, M8)
NS	B1369608	AIR FILTER 20 X 16 X 2 (M9, M10, M11, M12, M13)

Belt Drive Assy



Belt Drive Assy

Ref. Part No: No:	Description:	Ref. Part No: No:	Description:
-------------------	--------------	-------------------	--------------

Image 1:

11	0131L00003	BELT DRIVE MOTOR 1 HP (M1, M2, M3, M4, M6)
11	B3240007	BELT DRIVE MOTOR 1.5 HP (M5, M9, M11)
11	0131L00004	BELT DRIVE MOTOR 1.5 HP 575V (M7, M8, M12)
11	B3240006	BELT DRIVE MOTOR 2 HP (M10)
11	0131L00005	BELT DRIVE MOTOR 2 HP 575 V (M13)
21	0121L00297	BLOWER SIDE ANGLE (QTY 3)
31	0121L00899	MOTOR MOUNT PLATE
41	0121L00281	BLOWER MOUNTING ANGLE
51	0163L00005	BELT DRIVE BLOWER SHAFT
61	2539302F	BLOWER HOUSING 11 X 10
71	B3201300	MOUNTING BRACKET BEARING (QTY 2)
81	B1368056	BELT DRIVE BLOWER WHEEL
91	0163L00031	FIXED SHEAVE AK59 (M9, M10, M11, M12, M13)
91	B3204303	FIXED SHEAVE AK61 (M1, M2, M3, M4, M5, M6, M7, M8)
101	B1398603	STEEL KEY (000158812) 4.5"
111	B1399500	BALL BEARING 1.00" (QTY 2)
121	0164L00010	FAN BELT, NOTCHED
131	B2120001	VARIABLE PITCH SHEAVE 1VL44 X 3/8" (M1, M2, M3, M4, M6, M7, M8)
131	B2120014	VARIABLE PITCH SHEAVE 1VL44 X 7/8" (M9, M11)
131	B2120013	VARIABLE PITCH SHEAVE 1VP50 (M5, M10, M13)
141	0121L01203	BLOWER PLATE SUPPORT
151	B1393726	ELECT. CONNECTING BUSHING
161	B1393738	BOLT 1/4-20 X 3/4" (QTY 8)
171	0163M00045	BOLT 1/4-20 X 4"
181	3225000F	BELT TIGHTENER ANGLE
191	B1393023	LOCK NUT .25-20
NS	1864703F	BLOWER CUT-OFF
NS	0130F00037	PRIMARY LIMIT - GRAY 150° (M9, M10, M11, M12, M13)
NS	20162905	PRIMARY LIMIT-YELLOW (M1, M2, M3, M4, M5, M6, M7, M8)
NS	B1398603	STEEL KEY (000158812) 4.5"

Expanded Model Nomenclature

M1 - CPG0600903BXXXCA
M2 - CPG0600904BXXXCA
M3 - CPG0601403BHXBCA
M4 - CPG0601403BXXXCA
M5 - CPG0601403HXXXCA
M6 - CPG0601404BXXXCA
M7 - CPG0601407BASXCA
M8 - CPG0601407BXXXCA
M9 - CPG0721403BXXXCA
M10 - CPG0721403HXXXCA
M11 - CPG0721404BXXXCA
M12 - CPG0721407BXXXCA
M13 - CPG0721407HXXXCA

Heat Exchanger and Control Panel Assy

Image 1

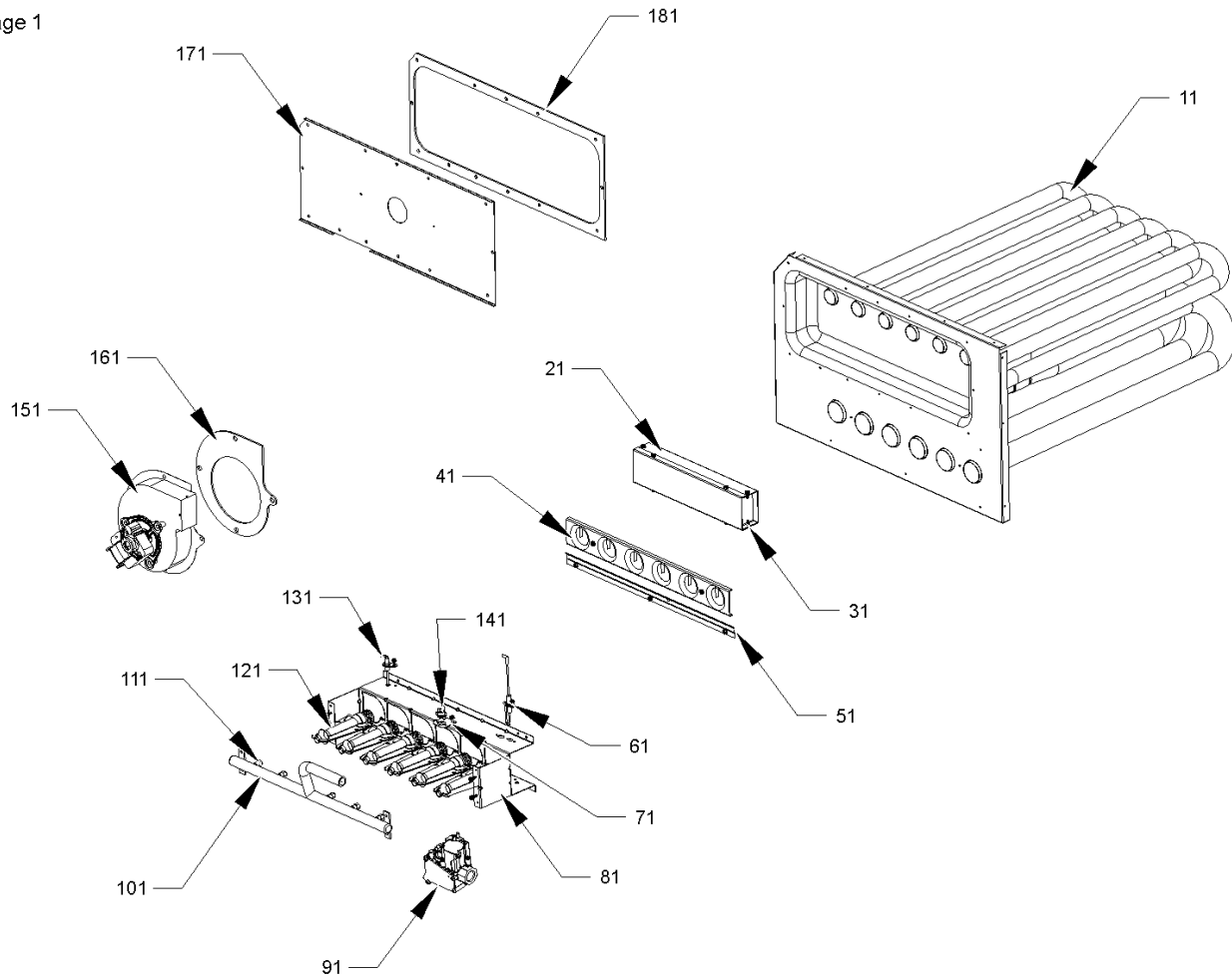
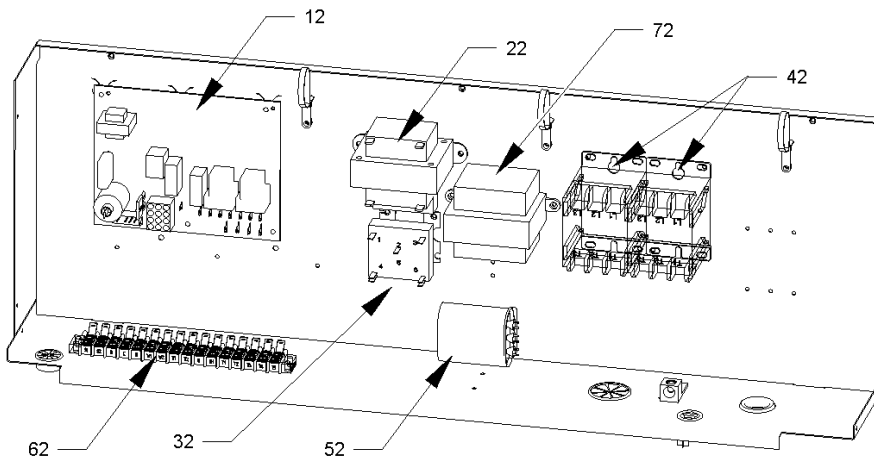


Image 2



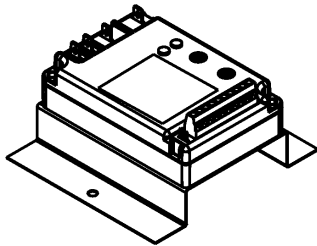
Heat Exchanger and Control Panel Assy

Ref. Part No:	Description:	Ref. Part No:	Description:
Image 1:		Image 2:	
11	0270L00092 PART/TUBE ASSY 4B (M1, M2)	NS	0259L00128 HARNESS, WIRING (M9, M10, M11, M12, M13)
11	0270L00072 PART/TUBE ASSY 6B (M3, M4, M5, M6, M8, M9, M10, M11, M12, M13)	NS	0259L00054 WIRING HARNESS (M1, M3, M4, M5, M7, M8, M9, M10, M12, M13)
11	0270L00104 PART/TUBE ASSY 6B (M7)	NS	0259L00060 WIRING HARNESS (M2, M6, M11)
21	0121L00277 FLUE CHANNEL	NS	0259L00065 WIRING HARNESS (M1, M2, M3, M4, M5, M6, M7, M8)
31	0121L00278 FLUE SIDE COVER	NS	0259L00069 WIRING HARNESS
41	11072203 ORIFICE SHIELD (M1, M2)	NS	0259L00094 WIRING HARNESS (M9, M10, M11, M12, M13)
41	11072205 ORIFICE SHIELD (M3, M4, M5, M6, M7, M8, M9, M10, M11, M12, M13)	Expanded Model Nomenclature	
51	0121L00267 BURNER SLIDE BRACKET	<div style="border: 1px solid black; padding: 5px;"> M1 - CPG0600903BXXXCA M2 - CPG0600904BXXXCA M3 - CPG0601403BHXXCA M4 - CPG0601403BXXXCA M5 - CPG0601403HXXXCA M6 - CPG0601404BXXXCA M7 - CPG0601407BASXCA M8 - CPG0601407BXXXCA M9 - CPG0721403BXXXCA M10 - CPG0721403HXXXCA M11 - CPG0721404BXXXCA M12 - CPG0721407BXXXCA M13 - CPG0721407HXXXCA </div>	
61	20261709 IGNITOR		
71	0121L00053 FLAME ROLLOUT BRACKET		
81	20190412 BURNER BRACKET 4B (M1, M2)		
81	0121F00145 BURNER BRACKET 6B (M3, M4, M5, M6, M7, M8, M9, M10, M11, M12, M13)		
91	0151F00000P GAS VALVE - WHITE-RODGERS 2-STAGE		
101	0163L00026 MANIFOLD - 4 BRNR (M1, M2)		
101	0163L00025 MANIFOLD - 6 BRNR (M3, M4, M5, M6, M7, M8, M9, M10, M11, M12, M13)		
111	0163F00018 ORIFICE (QTY 4)		
121	10735102 BECKETT BURNER (QTY 4)		
131	0130F00010 FLAME SENSOR		
141	10123532 MANUAL RESET LIMIT 350°F		
151	0131M00121 ID COMBUSTION BLOWER		
161	0154L00020 ID BLOWER GASKET		
171	0121L00241 ID BLOWER PLATE (M3, M4, M5, M6, M7, M8, M9, M10, M11, M12, M13)		
171	0121L00284 ID BLOWER PLATE 4 BRNR (M1, M2)		
181	0154L00018 ID BLOWER PLATE GASKET 4 BRNR (M1, M2)		
181	0154L00017 ID BLOWER PLATE GASKET 6 BRNR (M3, M4, M5, M6, M7, M8, M9, M10, M11, M12, M13)		
NS	0163L00072 FLUE SCREEN		
Image 2:			
12	PCBAG123 IGNITION BOARD, DSI INTEGRATED		
22	0130M00138 TRANSFORMER 208/230, 24V (M1, M3, M4, M5, M9, M10)		
22	0130M00145 TRANSFORMER 480V to 24V, 75VA (M2, M6, M11)		
22	0130M00147 TRANSFORMER 575V TO 230V, 150VA (M7, M8, M12, M13)		
32	0130M00025 24V RELAY		
42	CONT3P025024V CONTACTOR 25 AMP, 3P, 24V (M2, M6, M7, M8, M11, M12, M13)		
42	CONT3P030024V CONTACTOR 30 AMP, 3P, 24V (M1, M3, M4, M5, M9, M10)		
52	CAP050000370LA CAPACITOR 5/370V		
62	0130M00038 TERMINAL BOARD		
72	0130M00146 TRANSFORMER 480V TO 230V, 150VA (M2, M6, M11)		
72	0130M00148 TRANSFORMER 575V to 24V, 75VA (M7, M8, M12, M13)		
NS	20520901 CAPACITOR STRAP (QTY 4)		
NS	0259L00074 CONTROL HARNESS (M1, M3, M4, M5, M9, M10)		
NS	0259L00075 CONTROL HARNESS (M2, M6, M7, M8, M11, M12, M13)		
NS	0259L00125 HARNESS, WIRING (M1, M2, M3, M4, M5, M6, M7, M8)		
NS	0259L00126 HARNESS, WIRING		

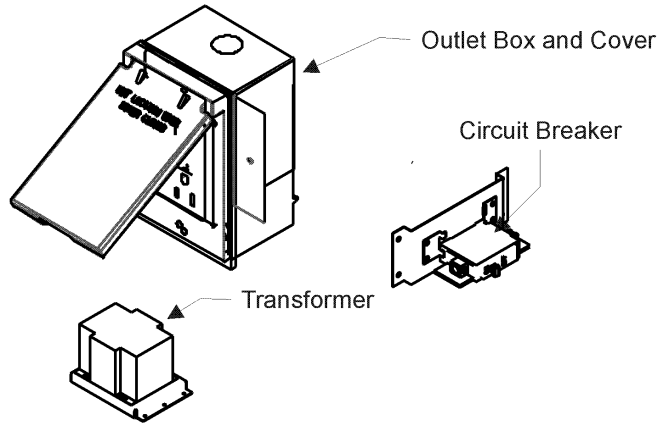
ACCESSORY PARTS LIST

NOTE: NOT ALL OPTIONS AVAILABLE FOR ALL PRODUCTS

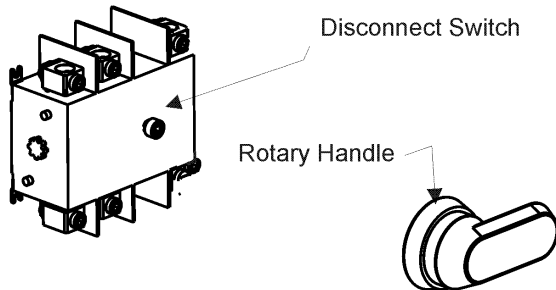
1 LOW AMBIENT KITS



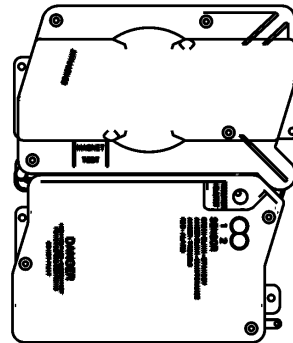
2 GFCI CONVENIENCE OUTLET



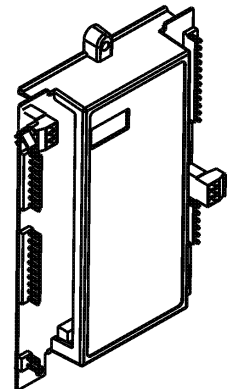
3 DISCONNECT MODULE (NON-FUSED)



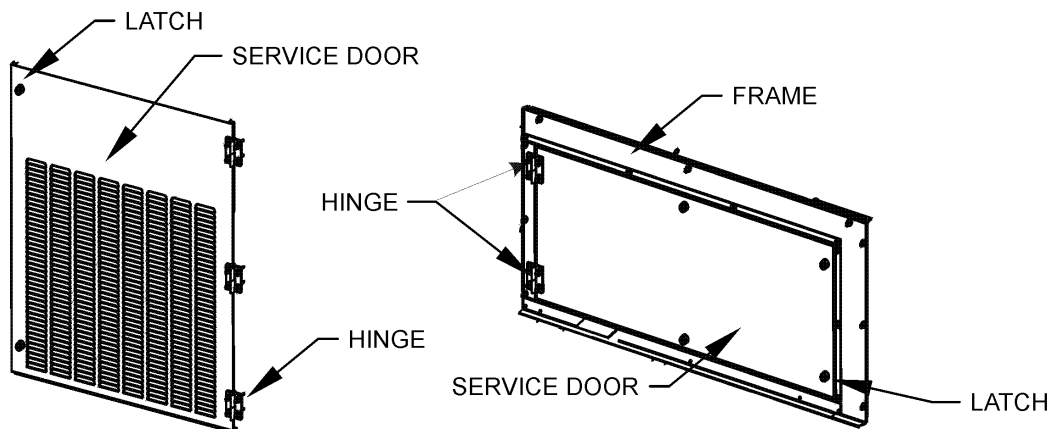
4 SMOKE DETECTORS



5 DDC CONTROL



6 HINGED DOOR ASSEMBLIES



Accessory List

Ref. Part No: No:	Description:	Ref. Part No: No:	Description:
-------------------	--------------	-------------------	--------------

Image 1:

NS 0121L00316	BRACKET-CONV OUTLET MOUNT (M3)
NS 0130M00065	CIRCUIT BREAKER, CONVENIENCE OUTLET (M3)
NS 0121L00338DG	ECONOMIZER COVER (M7)
NS 0130L00012	GANG BOX-GFCI OUTLET (M3)
NS 0130L00039	HANDLE, ROTARY (M3)
NS 0161G00012	POWER OUTLET BOX (M3)
NS 0130L00103	RECEPTACLE-GFCI OUTLET (M3)
NS 0130L00042	SHAFT, CUT (M3)
NS 0130L00049	SHAFT, DISCONNECT (M3)
NS 0130L00046	SWITCH-DISCONNECT 60A (M3)
NS 0130M00061	TRANSFORMER, CONVENIENCE OUTLET (M3)

Expanded Model Nomenclature

M1 - CPG0600903BXXXCA
M2 - CPG0600904BXXXCA
M3 - CPG0601403BHXBCA
M4 - CPG0601403BXXXCA
M5 - CPG0601403HXXXCA
M6 - CPG0601404BXXXCA
M7 - CPG0601407BASXCA
M8 - CPG0601407BXXXCA
M9 - CPG0721403BXXXCA
M10 - CPG0721403HXXXCA
M11 - CPG0721404BXXXCA
M12 - CPG0721407BXXXCA
M13 - CPG0721407HXXXCA