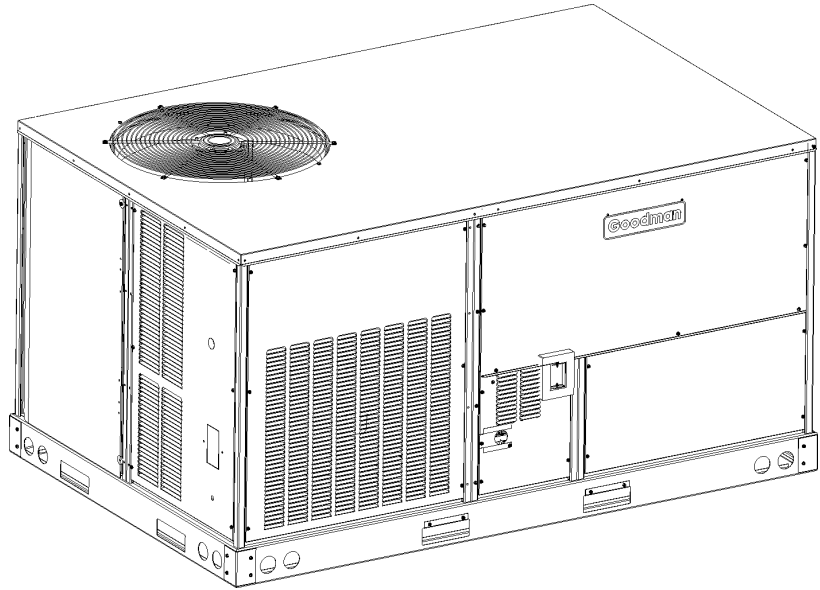


REPAIR PARTS

Commercial 6 Ton Package Gas Units

CPG0721403BAAMBA
CPG0721403BAXABA
CPG0721403BXXBBA
CPG0721403BXXCBA
CPG0721403BXXNBA
CPG0721403HAAXBA
CPG0721403HXSXBA
CPG0721404BABBBA
CPG0721404BAXCBA
CPG0721407HAJDBA
CPG0721407HAXXBA



This manual is to be used by qualified technicians only.

This manual replaces RP-706C.

© 2012-2013, 2016 Goodman Manufacturing Company, L.P. ♦ 5151 San Felipe St., Suite 500 ♦ Houston, TX 77056

Important Information

Index

Functional Parts List	3
Illustration and Parts	4 - 15

Views shown are for parts illustrations only, not servicing procedures

Text Codes:

AR - As Required

NA - Not Available

NS - Not Shown

00000000 - See Note

QTY - Quantity Example (QTY 3) (If Quantity not shown, Quantity = 1)

M - Model Example (M1) (If M Code not shown, then part is used on all Models)

Expanded Model Nomenclature:

Example M1 - Model#1 M2 - Model#2 M3 - Model#3

Goodman Manufacturing Company, L.P. is not responsible for personal injury or property damage resulting from improper service. Review all service information before beginning repairs.

Warranty service must be performed by an authorized technician, using authorized factory parts. If service is required after the warranty expires, Goodman Manufacturing Company, L.P. also recommends contacting an authorized technician and using authorized factory parts.

Goodman Manufacturing Company, L.P. reserves the right to discontinue, or change at any time, specifications or designs without notice or without incurring obligations.

For assistance within the U.S.A. contact:
Consumer Affairs Department
Goodman Manufacturing Company, L.P.
7401 Security Way
Houston, Texas 77040
877-254-4729-Telephone
713-863-2382-Facsimile

For assistance outside the U.S.A. contact:
International Division
Goodman Manufacturing Company, L.P.
7401 Security Way
Houston, Texas 77040
713-861-2500-Telephone
713-863-2382-Facsimile

Functional Parts

Part

No: Description:

0130M00025	24V RELAY
B3240007	BELT DRIVE MOTOR 1.5 HP (M1, M2, M3, M4, M5, M8, M9)
B3240006	BELT DRIVE MOTOR 2 HP (M6, M7)
0131L00005	BELT DRIVE MOTOR 2 HP 575 V (M10, M11)
CAP050000370VA	CAPACITOR 5/370V
ZP61KCETF5130	COMPRESSOR 61500, 200/230/60/3 (M1, M2, M3, M4, M5, M6, M7)
ZP61KCETFD130	COMPRESSOR 61500, 460/60/3 (M8, M9)
ZP61KCETFE130	COMPRESSOR 61500, 575/60/3 (M10, M11)
0131M00008P	COND MOTOR 1/3 HP, 1 SP, 6 PL (M1, M2, M3, M4, M5, M6, M7)
B13400249	COND MOTOR 1/3 HP, 460V (M8, M9)
0131M00179	COND MOTOR 1/3 HP, 6 PL, 575V (M10, M11)
CONT3P025024V	CONTACTOR 25 AMP, 3P, 24V (M8, M9, M10, M11)
CONT3P030024V	CONTACTOR 30 AMP, 3P, 24V (M1, M2, M3, M4, M5, M6, M7)
0130M00055	CUT-OUT SWITCH, HIGH PRESSURE
0130L00007	CUT-OUT SWITCH, LOW PRESSURE
0164L00010	FAN BELT, NOTCHED
0150G00001	FAN BLADE (M10, M11)
B1086765	FAN BLADE TYPE 3 (M1, M2, M3, M4, M5, M6, M7, M8, M9)
0130F00010	FLAME SENSOR
0151F00000P	GAS VALVE - WHITE-RODGERS 2-STAGE
PCBAG123	IGNITION BOARD, DSI INTEGRATED
20261709	IGNITOR
10123532	MANUAL RESET LIMIT 350°F
11112501	PRESSURE SWITCH
0130M00063	PRIMARY LIMIT - GOLD 140°
0130F00037	PRIMARY LIMIT - GRAY 150°
B1141643	TRANSFORMER 208/230, 24V (M1, M2, M3, M4, M5, M6, M7)
B1141663	TRANSFORMER 460V TO 230V, 150 VA (M8, M9)
B1141653	TRANSFORMER 480V, 75VA, RESETTABLE (M8, M9)
0130M00044	TRANSFORMER 575/230V (M10, M11)
0130M00045	TRANSFORMER 575/24V (M10, M11)

Expanded Model Nomenclature

M1 - CPG0721403BAAMBA
M2 - CPG0721403BAXABA
M3 - CPG0721403BXXBBA
M4 - CPG0721403BXXCBA
M5 - CPG0721403BXXNBA
M6 - CPG0721403HAAXBBA
M7 - CPG0721403HXSXBA
M8 - CPG0721404BABBBBA
M9 - CPG0721404BAXCBA
M10 - CPG0721407HAJDBA
M11 - CPG0721407HAXXBA

B1369608 AIR FILTER 20 X 16 X 2 (QTY 4)

Top Panel/Tubing Assy

Image 1

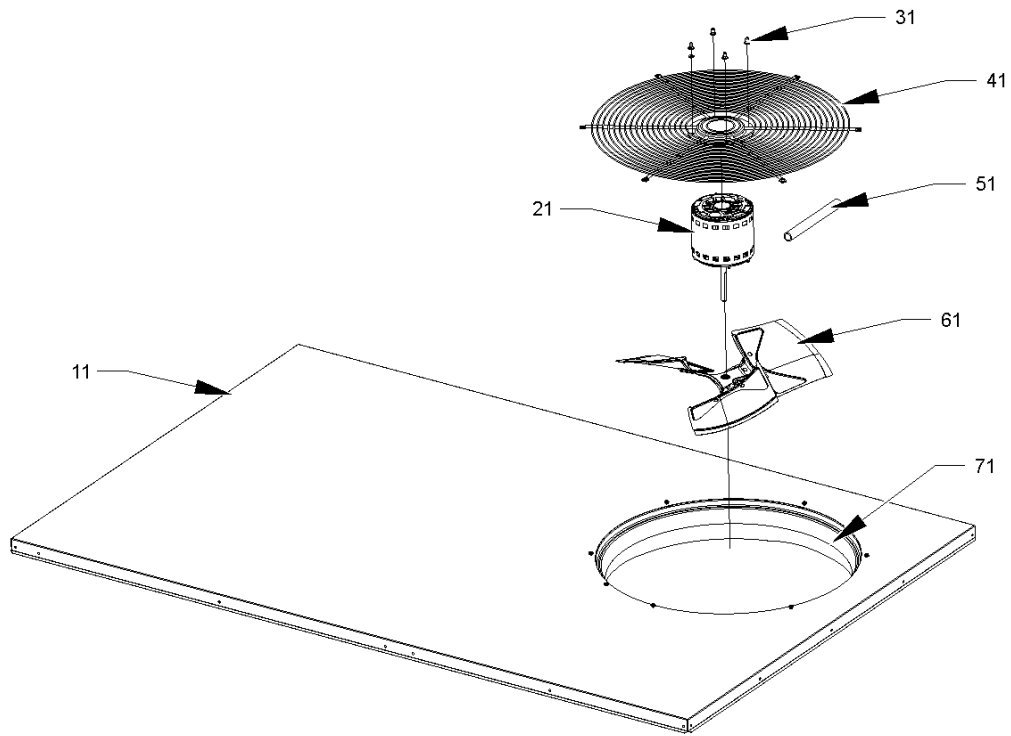
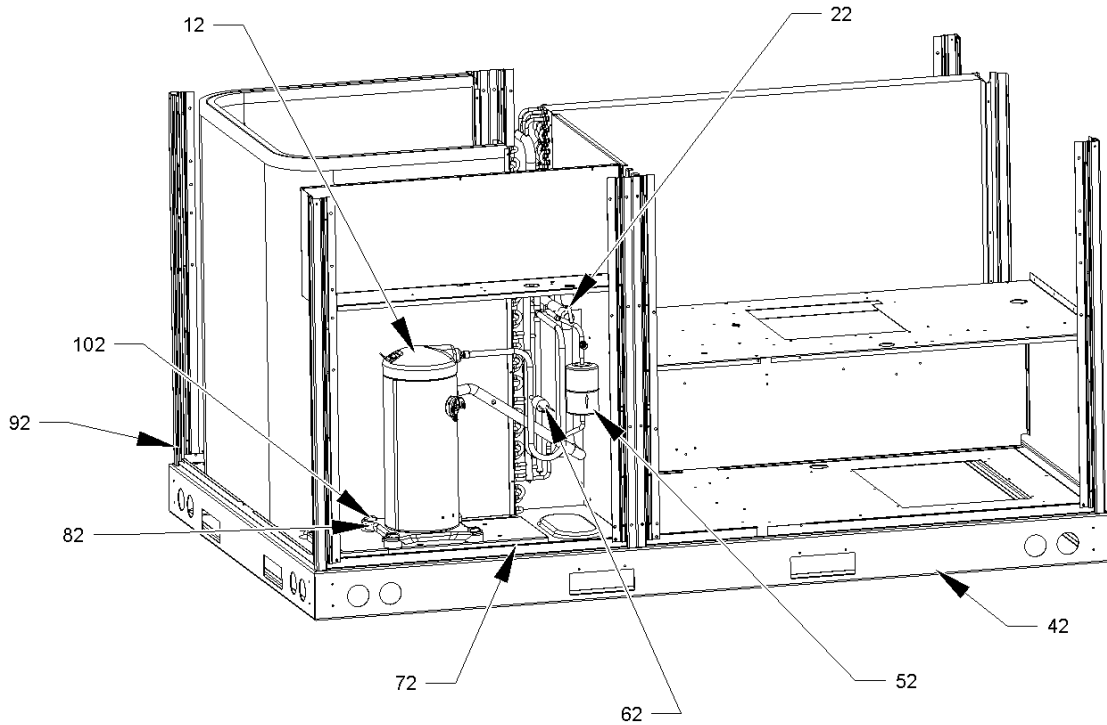


Image 2



Top Panel/Tubing Assy

Ref. Part No: No:	Description:	Ref. Part No: No:	Description:
-------------------	--------------	-------------------	--------------

Image 1:

11	0270L00086	INSULATION-TOP ASSY.
21	0131M00008P	COND MOTOR 1/3 HP, 1 SP, 6 PL (M1, M2, M3, M4, M5, M6, M7)
21	B13400249	COND MOTOR 1/3 HP, 460V (M8, M9)
21	0131M00179	COND MOTOR 1/3 HP, 6 PL, 575V (M10, M11)
31	0163M00006P	ACORN NUT 5/16 HEX BLACK (QTY 4)
41	0152G00003	FAN GRILLE
51	17788000083F	PVC CONDUIT 8.25"
61	0150G00001	FAN BLADE (M10, M11)
61	B1086765	FAN BLADE TYPE 3 (M1, M2, M3, M4, M5, M6, M7, M8, M9)
71	0161L00000	VENTURI RING 22"

Image 2:

12	ZP61KCETF5130	COMPRESSOR 61500, 200/230/60/3 (M1, M2, M3, M4, M5, M6, M7)
12	ZP61KCETFD130	COMPRESSOR 61500, 460/60/3 (M8, M9)
12	ZP61KCETFE130	COMPRESSOR 61500, 575/60/3 (M10, M11)
22	0130L00007	CUT-OUT SWITCH, LOW PRESSURE
42	0121L00244RF	SIDE RAIL (QTY 2)
52	20485201	BI-FLOW FILTER DRIER
62	0130M00055	CUT-OUT SWITCH, HIGH PRESSURE
72	0121L00310	COMPRESSOR MOUNTING PLATE
82	B1339533	COMPRESSOR GROMMET (QTY 4)
92	0121L00245	END RAIL (QTY 2)
102	M0221641	TF SHOULDER SCREW (QTY 4)
NS	0159L00028	COMPRESSOR SCROLL HARNESS

Expanded Model Nomenclature

M1 - CPG0721403BAAMBA
M2 - CPG0721403BAXABA
M3 - CPG0721403BXXBBA
M4 - CPG0721403BXXCBA
M5 - CPG0721403BXXNBA
M6 - CPG0721403HAAXBA
M7 - CPG0721403HXSXBA
M8 - CPG0721404BABBBA
M9 - CPG0721404BAXCBA
M10 - CPG0721407HAJDBA
M11 - CPG0721407HAXXBA

Cabinet Assy

Image 1

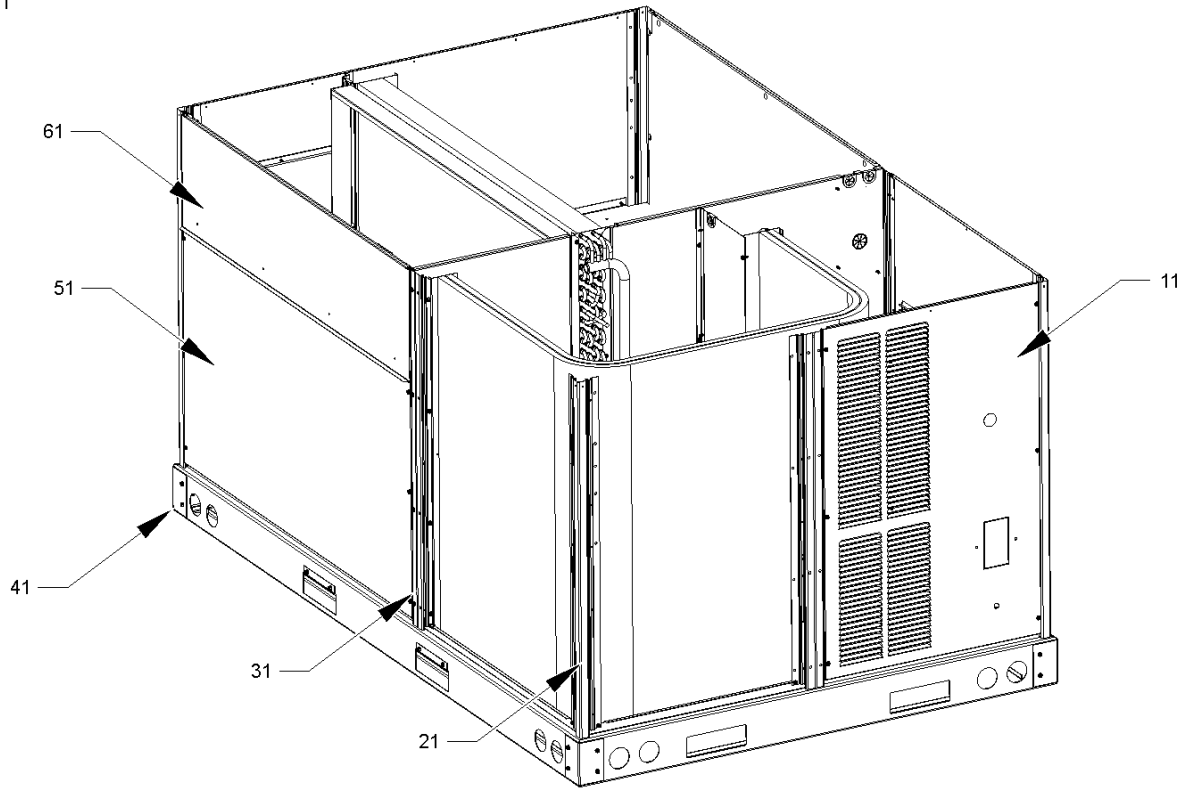
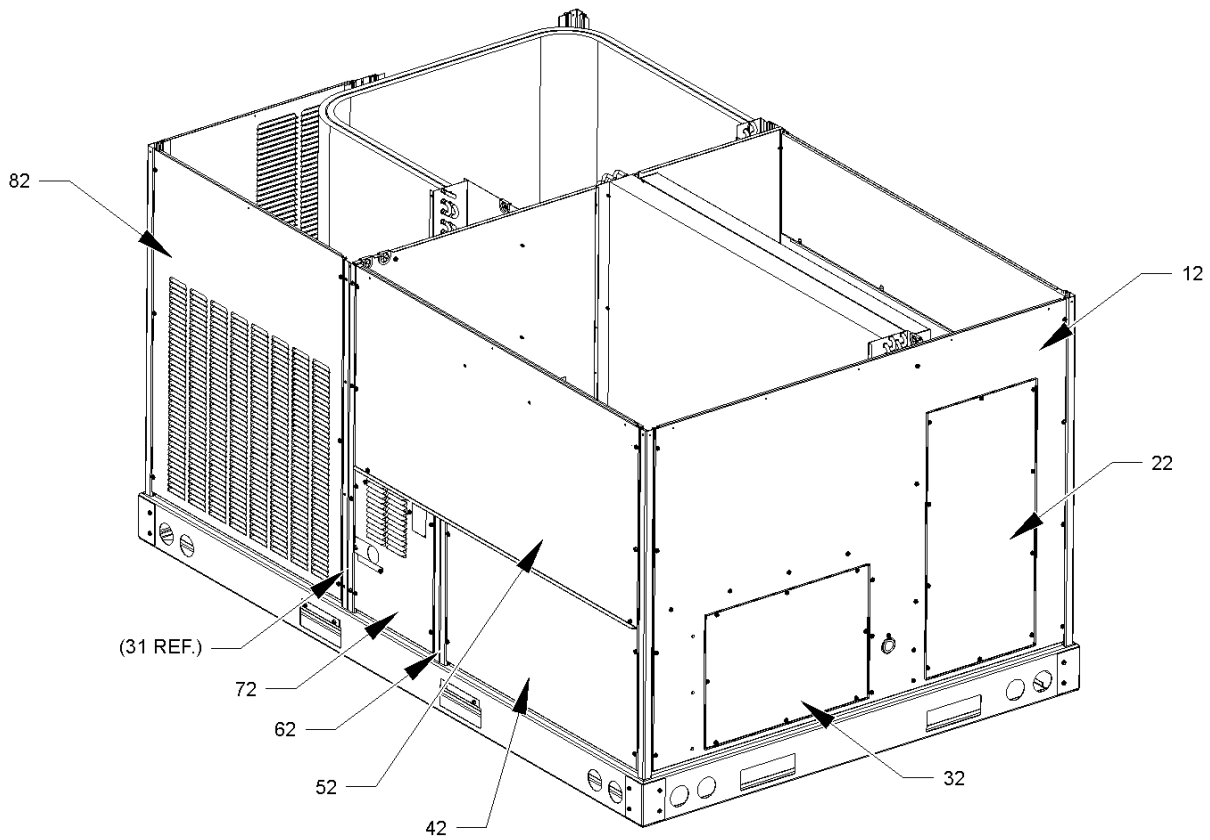


Image 2



Cabinet Assy

Ref. Part No: No:	Description:	Ref. Part No: No:	Description:
-------------------	--------------	-------------------	--------------

Image 1:

11	0121L00354DG	LOUVERED COMPRESSOR PANEL
21	0121L00344RFDG	CORNER POST (QTY 4)
31	0121L00343RFDG	POST-SIDE SUPPORT (QTY 3)
41	0121G00301	RAIL CORNER BRACKET (QTY 4)
51	0270L00081	INSULATED ASSY, ECONOMIZER DOOR
61	0270L00139	INSULATED ASSY, FILTER DOOR

Image 2:

12	0270L00145	INSULATED ASSY, DUCT PANEL
22	0270L00011	INSULATED ASSY, RETURN DUCT
32	0270L00012	INSULATED ASSY, SUPPLY DUCT
42	0270L00083	INSULATED ASSY, HEAT EXCHANGER DOOR
52	0270L00146	INSULATED ASSY, BLOWER DOOR
62	0121L00255RFDG	POST-BURNER DOOR
72	0121L00706DG	BURNER DOOR
82	0121L00353DG	LOUVERED CONTROL PANEL
NS	0121L00295	COLLAR-FLUE
NS	0121L00689	RAIN SHIELD-DOOR
NS	0121L00321	SMOKE DETECTOR COVER

Expanded Model Nomenclature

M1 - CPG0721403BAAMBA
M2 - CPG0721403BAXABA
M3 - CPG0721403BXXBBA
M4 - CPG0721403BXXCBA
M5 - CPG0721403BXXNBA
M6 - CPG0721403HAAXBA
M7 - CPG0721403HXSXBA
M8 - CPG0721404BABBBA
M9 - CPG0721404BAXCBA
M10 - CPG0721407HAJDBA
M11 - CPG0721407HAXXBA

Partition Assy

Image 1

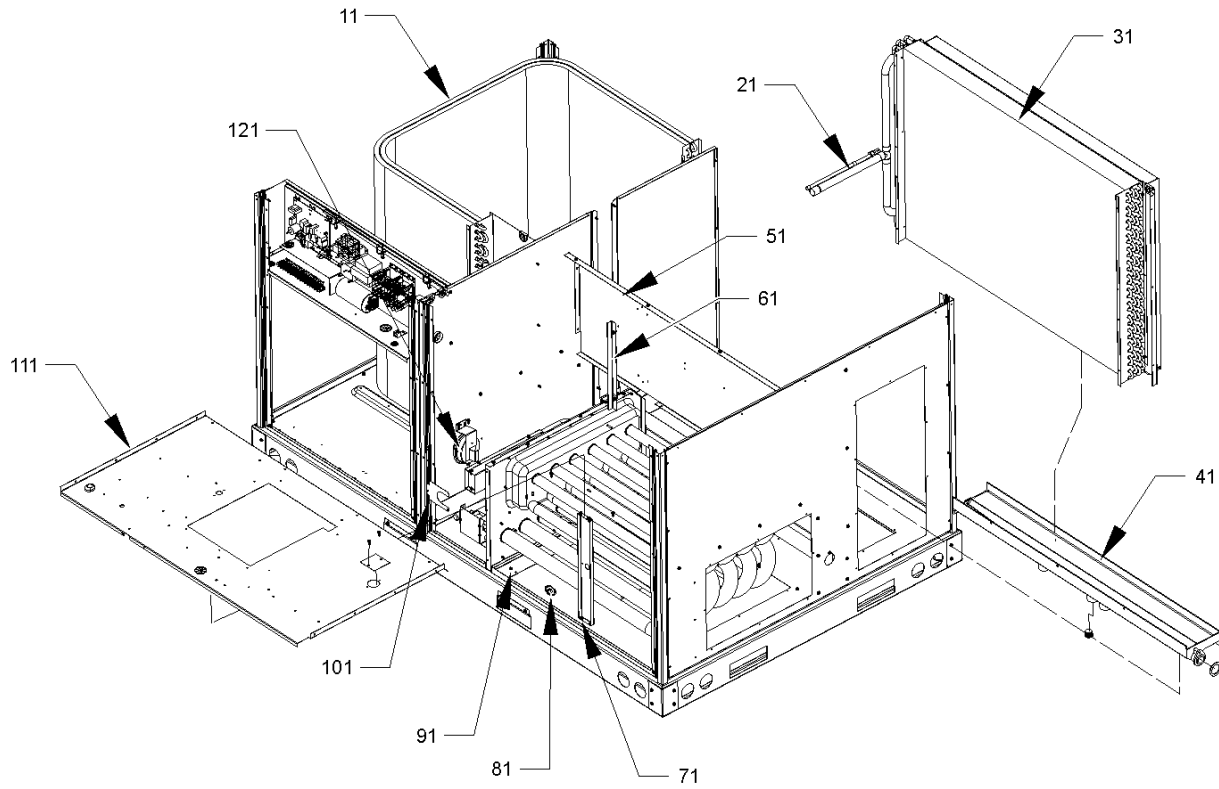
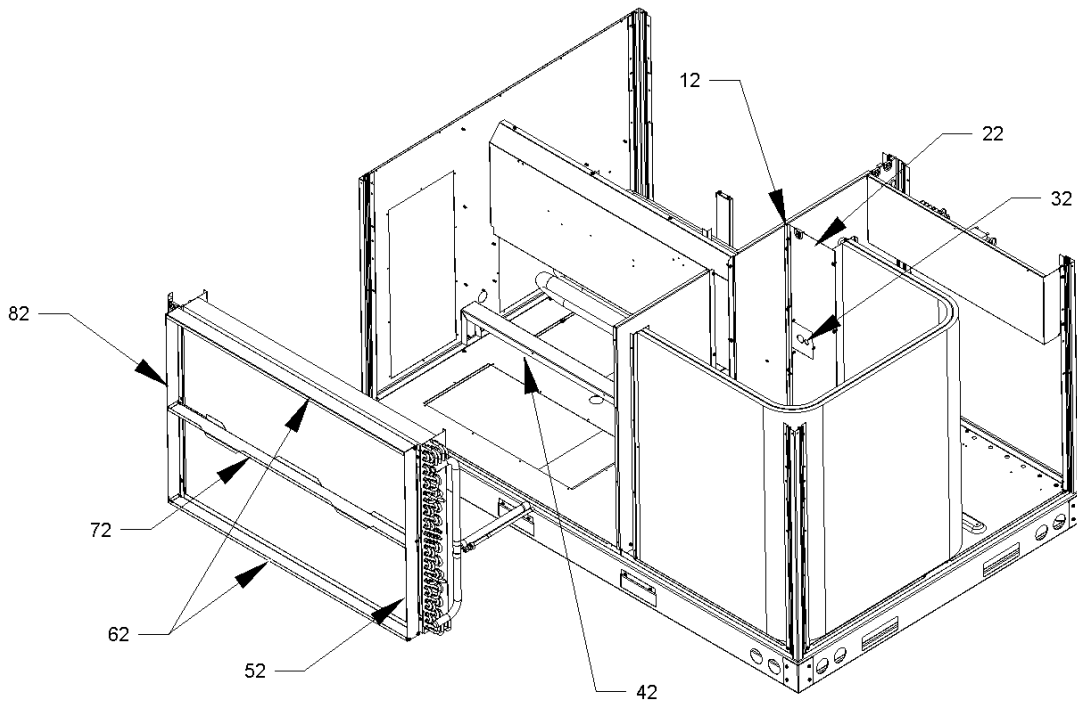


Image 2



Partition Assy

Ref. Part No: No:	Description:	Ref. Part No: No:	Description:
-------------------	--------------	-------------------	--------------

Image 1:

11	0201L00053	TUBING ASSY, COND COIL (M1, M2, M3, M4, M5, M6, M7, M9, M11)
11	0201L00055	TUBING ASSY, COND COIL (M8, M10)
21	0162M00121	FLOWRATOR [EVAP]
31	0202L00032	TUBING ASSY, EVAP COIL
41	0161L00005	DRAIN PAN
51	0121L00243	DECK SIDE CHANNEL
61	0121L00293	BACK ANGLE-HEAT EXCHANGER (QTY 2)
71	0121L00300	SUPPORT POST-DECK
81	0130M00063	PRIMARY LIMIT - GOLD 140°
81	0130F00037	PRIMARY LIMIT - GRAY 150°
91	0121L00266	HEAT PANEL CHANNEL (QTY 2)
101	0121L00299	BRACKET-GAS VALVE PIPE
111	0121L00981	DECK BLOWER
121	11112501	PRESSURE SWITCH
NS	0154L00009	DRAIN PAN GASKET
NS	0162M00120	FLOWRATOR .080 [COND]
NS	A3468601	PRESSURE SWITCH HOSE

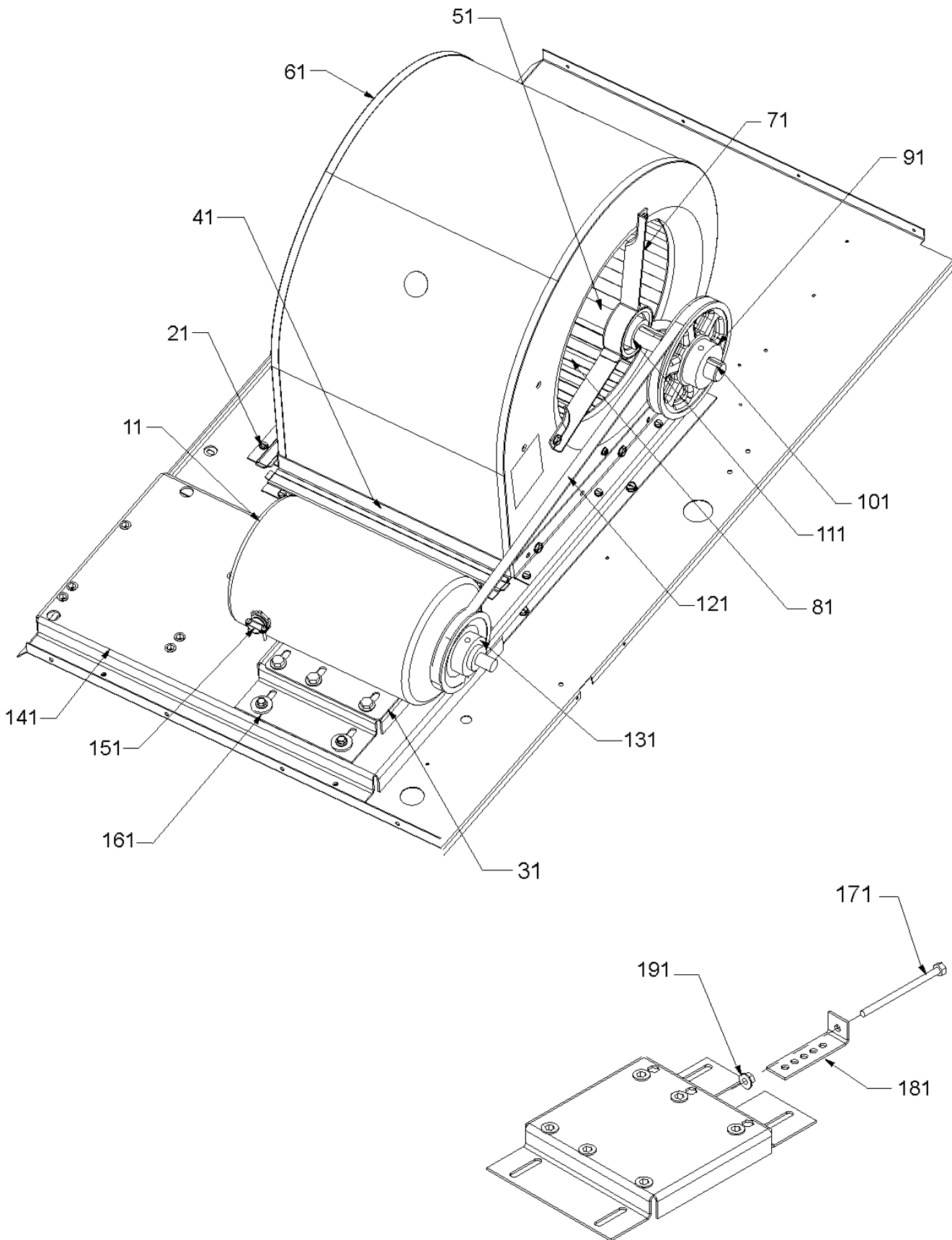
Image 2:

12	0121L00349	COND MOUNTING ANGLE
22	0121L00348	COND BLOCK-OFF
32	0121L00324	COND BLOCK-OFF PLATE
42	0121L00238	DRAIN PAN SUPPORT
52	0121L00357	FILTER ANGLE-VERTICAL (RETURN SIDE)
62	0121L00932	FILTER ANGLE-HORIZONTAL (QTY 2)
72	0121L00298	FILTER ANGLE-HORIZONTAL (CENTER)
82	0121L00358	FILTER ANGLE-VERTICAL (HAIRPIN SIDE)
NS	B1369608	AIR FILTER 20 X 16 X 2 (QTY 4)

Expanded Model Nomenclature

- | |
|------------------------|
| M1 - CPG0721403BAAMBA |
| M2 - CPG0721403BAXABA |
| M3 - CPG0721403BXXBBA |
| M4 - CPG0721403BXXCBA |
| M5 - CPG0721403BXXNBA |
| M6 - CPG0721403HAAXBA |
| M7 - CPG0721403HXSXBA |
| M8 - CPG0721404BABBBA |
| M9 - CPG0721404BAXCBA |
| M10 - CPG0721407HAJDBA |
| M11 - CPG0721407HAXXBA |

Belt Drive Assy



Belt Drive Assy

Ref. Part No: No:	Description:	Ref. Part No: No:	Description:
<i>Image 1:</i>			
11 B3240007	BELT DRIVE MOTOR 1.5 HP (M1, M2, M3, M4, M5, M8, M9)		
11 B3240006	BELT DRIVE MOTOR 2 HP (M6, M7)		
11 0131L00005	BELT DRIVE MOTOR 2 HP 575 V (M10, M11)		
21 0121L00297	BLOWER SIDE ANGLE (QTY 3)		
31 0121L00899	MOTOR BASE		
41 0121L00281	BLOWER MOUNTING ANGLE		
51 0163L00005	BELT DRIVE BLOWER SHAFT		
61 2539302F	BLOWER HOUSING 11 X 10		
71 B3201300	MOUNTING BRACKET BEARING (QTY 2)		
81 B1368056	BELT DRIVE BLOWER WHEEL		
91 0163L00031	FIXED SHEAVE AK59		
101 B1398604	STEEL KEY (000158812) 2.0"		
111 B1399500	BALL BEARING 1.00" (QTY 2)		
121 0164L00010	FAN BELT, NOTCHED		
131 B2120014	VARIABLE PITCH SHEAVE 1VL44 X 7/8" (M1, M2, M3, M4, M5, M8, M9)		
131 B2120013	VARIABLE PITCH SHEAVE 1VP50 (M6, M7, M10, M11)		
141 0121L00966	SUPPORT BLOWER PLATE		
151 B1393726	ELECT. CONNECTING BUSHING		
161 B1393738	BOLT 1/4-20 X 3/4" (QTY 5)		
171 0163M00045	BOLT 1/4-20 X 4"		
181 3225000F	BELT TIGHTENER ANGLE		
191 B1393023	NUT / LOCK .25-20		
NS 1864703F	BLOWER CUT-OFF		
NS B1398603	STEEL KEY (000158812) 4.5"		

Expanded Model Nomenclature

M1 - CPG0721403BAAMBA
M2 - CPG0721403BAXABA
M3 - CPG0721403BXXBBA
M4 - CPG0721403BXXCBA
M5 - CPG0721403BXXNBA
M6 - CPG0721403HAAXBA
M7 - CPG0721403HXSXBA
M8 - CPG0721404BABBBA
M9 - CPG0721404BAXCBA
M10 - CPG0721407HAJDBA
M11 - CPG0721407HAXXBA

Heat Exchanger and Control Panel Assy

Image 1

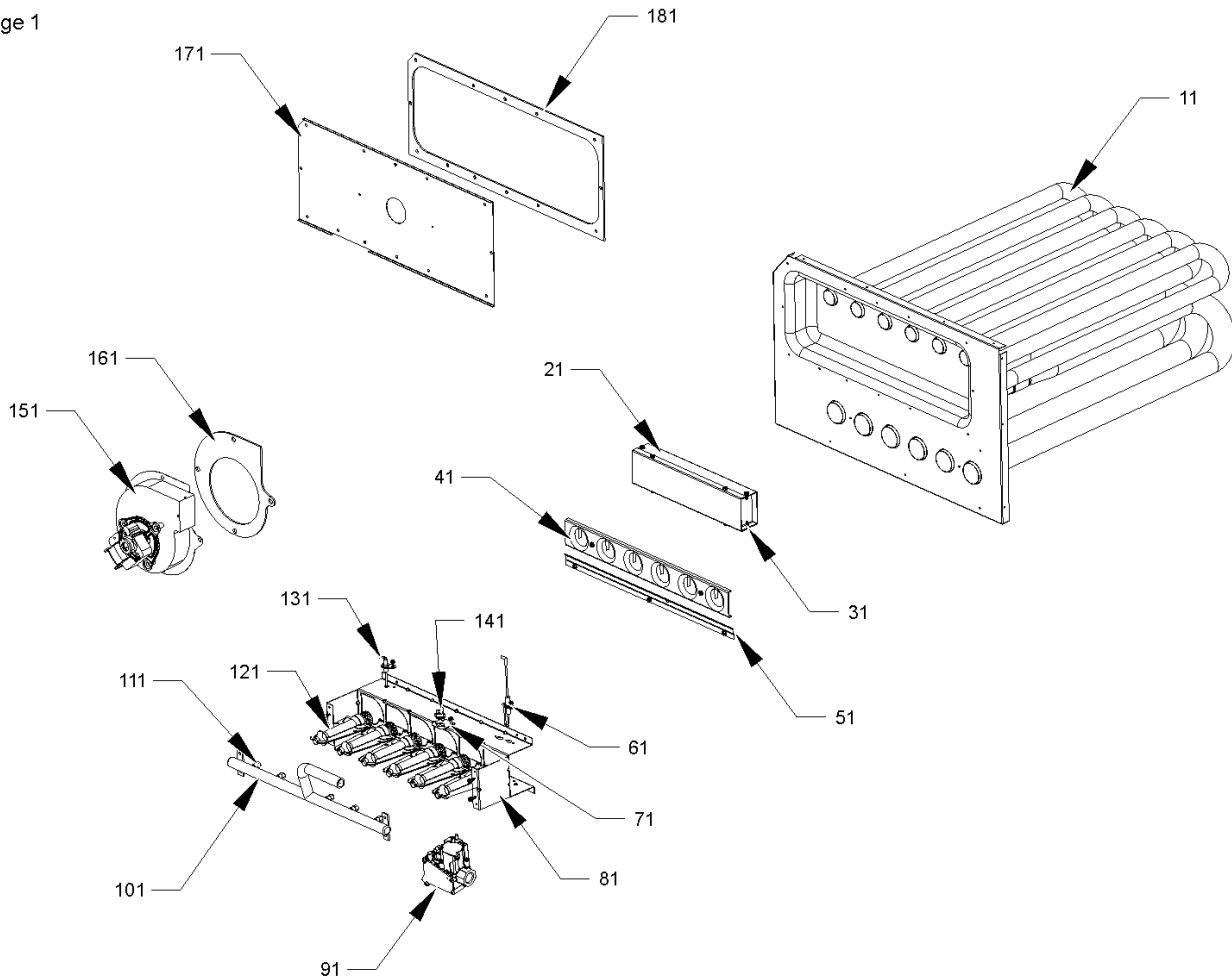
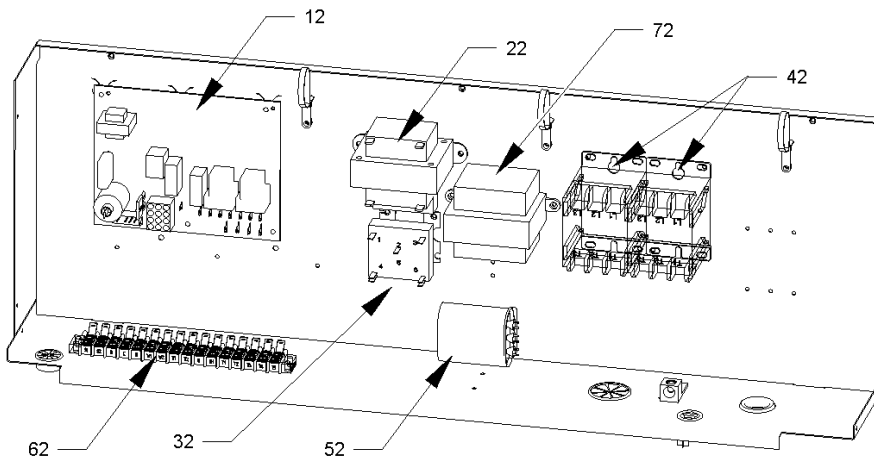


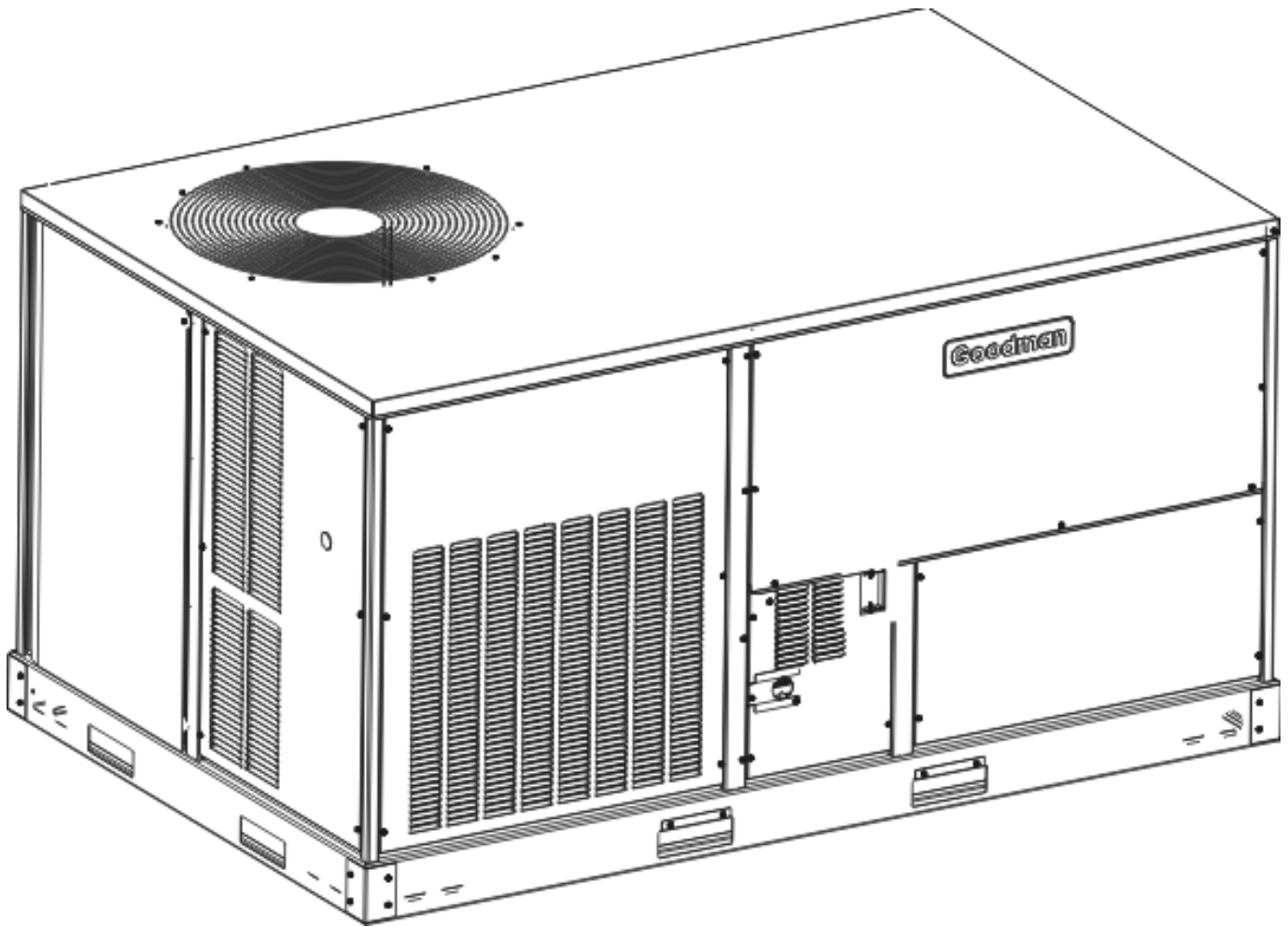
Image 2



Heat Exchanger and Control Panel Assy

Ref. Part No: No:	Description:	Ref. Part No: No:	Description:
Image 1:		Expanded Model Nomenclature	
11	0270L00072	PART/TUBE ASSY 6B (M1, M2, M3, M4, M5, M6, M8, M9, M10, M11)	M1 - CPG0721403BAAMB M2 - CPG0721403BAXABA M3 - CPG0721403BXXBBA M4 - CPG0721403BXXCBA M5 - CPG0721403BXXNBA M6 - CPG0721403HAAXBA M7 - CPG0721403HXSXBA M8 - CPG0721404BABBBA M9 - CPG0721404BAXCBA M10 - CPG0721407HAJDBA M11 - CPG0721407HAXXBA
11	0270L00104	PART/TUBE ASSY 6B (M7)	
21	0121L00277	FLUE CHANNEL	
31	0121L00278	FLUE SIDE COVER	
41	11072205	ORIFICE SHIELD	
51	0121L00267	BURNER SLIDE BRACKET	
61	20261709	IGNITOR	
71	0121L00053	FLAME ROLLOUT BRACKET	
81	0121F00145	BURNER BRACKET 6B	
91	0151F00000P	GAS VALVE - WHITE-RODGERS 2-STAGE	
101	0163L00025	MANIFOLD - 6 BRNR	
111	10716003	ORIFICE (QTY 6)	
121	10735102	BECKETT BURNER (QTY 6)	
131	0130F00010	FLAME SENSOR	
141	10123532	MANUAL RESET LIMIT 350°F	
151	0131M00121	ID COMBUSTION BLOWER	
161	0154L00020	ID BLOWER GASKET	
171	0121L00241	ID BLOWER PLATE	
181	0154L00017	ID BLOWER PLATE GASKET 6 BRNR	
NS	0163L00072	SCREEN-FLUE	
Image 2:			
12	PCBAG123	IGNITION BOARD, DSI INTEGRATED	
22	B1141643	TRANSFORMER 208/230, 24V (M1, M2, M3, M4, M5, M6, M7)	
22	B1141663	TRANSFORMER 460V TO 230V, 150 VA (M8, M9)	
22	B1141653	TRANSFORMER 480V, 75VA, RESETTABLE (M8, M9)	
22	0130M00045	TRANSFORMER 575/24V (M10, M11)	
32	0130M00025	24V RELAY	
42	CONT3P025024V	CONTACTOR 25 AMP, 3P, 24V (M8, M9, M10, M11)	
42	CONT3P030024V	CONTACTOR 30 AMP, 3P, 24V (M1, M2, M3, M4, M5, M6, M7)	
52	CAP050000370VA	CAPACITOR 5/370V	
62	0130M00038	TERMINAL BOARD	
72	0130M00044	TRANSFORMER 575/230V (M10, M11)	
NS	0259L00093	12-PIN MALE PLUG ASSY	
NS	20520901	CAPACITOR STRAP (QTY 4)	
NS	0259L00074	CONTROL HARNESS (M1, M2, M3, M4, M5, M6, M7)	
NS	0259L00075	CONTROL HARNESS (M8, M9, M10, M11)	
NS	0259L00054	WIRING HARNESS (M1, M2, M3, M4, M5, M6, M7, M10, M11)	
NS	0259L00060	WIRING HARNESS (M8, M9)	
NS	0259L00068	WIRING HARNESS	
NS	0259L00069	WIRING HARNESS	
NS	0259L00094	WIRING HARNESS	

ACCESSORY PARTS



ACCESSORY PARTS

Ref. Part No:	Part No:	Description:	Ref. Part No:	Part No:	Description:
<i>Image 1:</i>					
NS	0130M00065	CIRCUIT BREAKER, CONVENIENCE OUTLET (M1, M3, M5, M8)			
NS	0270L00107	CONVENIENCE OUTLET ASSEMBLY (M1, M2, M3, M5, M8)			
NS	DNECONGS3672B	ECONOMIZER, DOWNFLOW GAS/AC (M1, M2, M6, M8, M9, M10, M11)			
NS	HAILGD04FI	HAIL GUARD ASSEMBLY (M1, M6, M8)			
NS	LAKT01	LOW AMBIENT KIT (M1, M4, M9)			
NS	SDRKT01F16	SMOKE DETECTOR ASSEMBLY (M5, M10)			
NS	0130M00061	TRANSFORMER, CONVENIENCE OUTLET (M1, M3, M5, M8)			

Expanded Model Nomenclature

M1 - CPG0721403BAAMBA
M2 - CPG0721403BAXABA
M3 - CPG0721403BXXBBA
M4 - CPG0721403BXXCBA
M5 - CPG0721403BXXNBA
M6 - CPG0721403HAAXBA
M7 - CPG0721403HXSXBA
M8 - CPG0721404BABBBA
M9 - CPG0721404BAXCBA
M10 - CPG0721407HAJDBA
M11 - CPG0721407HAXXBA