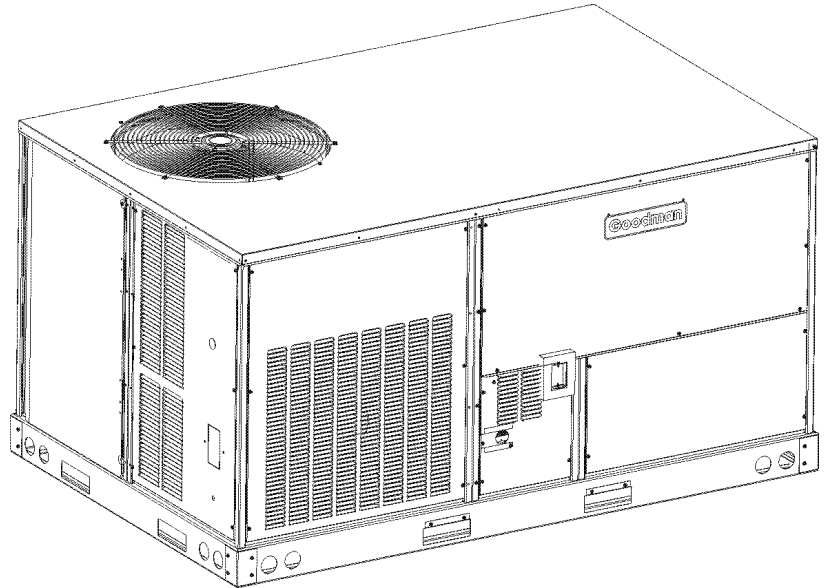


# REPAIR PARTS

## CPG 5&6 Ton Belt Drive Package Gas Unit

CPG0600903BXJXBA  
CPG0600903BXSXBA  
CPG0600903BXXXBA  
CPG0600904BXJXBA  
CPG0600904BXSXBA  
CPG0600904BXXXBA  
CPG0601403BXJXBA  
CPG0601403BXSXBA  
CPG0601403BXXXBA  
CPG0601404BXJXBA  
CPG0601404BXSXBA  
CPG0601404BXXXBA  
CPG0601407BXJXBA  
CPG0601407BXSXBA  
CPG0601407BXXXBA  
CPG0721403BXJXBA  
CPG0721403BXSXBA  
CPG0721403BXXXBA  
CPG0721404BXJXBA  
CPG0721404BXSXBA  
CPG0721404BXXXBA  
CPG0721407BXJXBA  
CPG0721407BXSXBA  
CPG0721407BXXXBA



This manual is to be used by qualified technicians only.

This manual replaces RP-530.

© 2008-2009 Goodman Manufacturing Company, L.P. ♦ 5151 San Felipe, Suite 500 ♦ Houston, TX 77056

# Important Information

---

## Index

Functional Parts List .....	3
Illustration and Parts .....	4 - 13

*Views shown are for parts illustrations only, not servicing procedures*

Rev. A: Added 6 ton models.

8.7.14: Added drain pan part number to the 5 Ton models

### Text Codes:

AR - As Required

NA - Not Available

NS - Not Shown

00000000 - See Note

QTY - Quantity Example (QTY 3) (If Quantity not shown, Quantity = 1)

M - Model Example (M1) (If M Code not shown, then part is used on all Models)

### Expanded Model Nomenclature:

Example M1 - Model#1 M2 - Model#2 M3 - Model#3
---

Goodman Manufacturing Company, L.P. is not responsible for personal injury or property damage resulting from improper service. Review all service information before beginning repairs.

Warranty service must be performed by an authorized technician, using authorized factory parts. If service is required after the warranty expires, Goodman Manufacturing Company, L.P. also recommends contacting an authorized technician and using authorized factory parts.

Goodman Manufacturing Company, L.P. reserves the right to discontinue, or change at any time, specifications or designs without notice or without incurring obligations.

For assistance within the U.S.A. contact:  
Consumer Affairs Department  
Goodman Manufacturing Company, L.P.  
7401 Security Way  
Houston, Texas 77040  
877-254-4729-Telephone  
713-863-2382-Facsimile

For assistance outside the U.S.A. contact:  
International Division  
Goodman Manufacturing Company, L.P.  
7401 Security Way  
Houston, Texas 77040  
713-861-2500-Telephone  
713-863-2382-Facsimile

# Functional Parts

## Part

## No: Description:

Part No:	Description:	Part No:	Description:
0259L00067	12-PIN MALE PLUG ASSY (M1, M2, M3, M4, M5, M6, M7, M8, M9, M10, M11, M12, M13, M14, M15)	B1141672	TRANSFORMER 480V, 75VA, RESETTABLE (M4, M5, M6, M10, M11, M12, M19, M20, M21)
0259L00093	12-PIN MALE PLUG ASSY (M16, M17, M18, M19, M20, M21, M22, M23, M24)	0130M00044	TRANSFORMER 575/230V (M13, M14, M15, M22, M23, M24)
0130M00025	24V RELAY	0130M00045	TRANSFORMER 575/24V (M13, M14, M15, M22, M23, M24)
20269903	AUXILIARY LIMIT, AUTO RESET (M16, M18, M19, M21, M22, M24)		
0131L00003	BELT DRIVE MOTOR 1 HP (M1, M2, M3, M4, M5, M6, M7, M8, M9, M10, M11, M12)		
B3240007	BELT DRIVE MOTOR 1.5 HP (M16, M17, M18, M19, M20, M21)		
0131L00004	BELT DRIVE MOTOR 1.5 HP 575V (M13, M14, M15, M22, M23, M24)		
CAP050000370VA	CAPACITOR 5/370V		
ZP51K5ETF5130	COMPRESSOR 51000, 208/230/60/3 (M1, M2, M3, M7, M8, M9)		
ZP51K5ETFD130	COMPRESSOR 51000, 460/60/3 (M4, M5, M6, M10, M11, M12)		
ZP51K5ETFE130	COMPRESSOR 51000, 575/60/3 (M13, M14, M15)		
ZP61KCETF5130	COMPRESSOR 61500, 200/230/60/3 (M16, M17, M18)		
ZP61KCETFD130	COMPRESSOR 61500, 460/60/3 (M19, M20, M21)		
ZP61KCETFE130	COMPRESSOR 61500, 575/60/3 (M22, M23, M24)		
0131M00008P	COND MOTOR 1/3 HP, 1 SP, 6 PL (M16, M17, M18)		
B13400249	COND MOTOR 1/3 HP, 460V (M19, M20, M21)		
0131M00007P	COND MOTOR 1/4 HP, 1 SP, 6 PL (M1, M2, M3, M7, M8, M9)		
B13400269	COND MOTOR 380/460 50/60 CYCLE (M4, M5, M6, M10, M11, M12)		
0131M00100	COND MOTOR 575V (M22, M23, M24)		
0131M00098	COND MOTOR 575V (M13, M14, M15)		
CONT3P025024V	CONTACTOR 25 AMP, 3P, 24V (M4, M5, M6, M10, M11, M12, M13, M14, M15, M19, M20, M21, M22, M23, M24)		
CONT3P030024V	CONTACTOR 30 AMP, 3P, 24V (M1, M2, M3, M7, M8, M9, M16, M17, M18)		
0130M00055	CUT-OUT SWITCH, HIGH PRESSURE		
0130L00007	CUT-OUT SWITCH, LOW PRESSURE		
0130F00010	FLAME SENSOR		
0151F00000P	GAS VALVE - WHITE-RODGERS 2-STAGE		
PCBAG123	IGNITION BOARD, DSI INTEGRATED		
20261709	IGNITOR		
10123532	MANUAL RESET LIMIT 350°F		
11112501	PRESSURE SWITCH		
20162903	PRIMARY LIMIT - BLUE (M1, M2, M3, M4, M5, M6)		
0130M00063	PRIMARY LIMIT - GOLD 140° (M16, M17, M18, M19, M20, M21, M22, M23, M24)		
0130F00035	PRIMARY LIMIT - PURPLE 220° (M7, M8, M9, M10, M11, M12, M13, M14, M15)		
20162905	PRIMARY LIMIT-YELLOW (M1, M2, M3, M4, M5, M6, M7, M8, M9, M10, M11, M12, M13, M14, M15, M17, M20, M23)		
0130M00038	TERMINAL BOARD		
B1141643	TRANSFORMER 208/230, 24V (M1, M2, M3, M7, M8, M9, M16, M17, M18)		
B1141663	TRANSFORMER 460V TO 230V, 150 VA (M4, M5, M6, M10, M11, M12, M19, M20, M21)		

### SPECIAL PARTS

IO-353A	INSTALLATION INSTRUCTIONS
RP-530A	REPAIR PARTS MANUAL
HI-122A	USERS MANUAL

### Expanded Model Nomenclature

M1 - CPG0600903BXJXBA
M2 - CPG0600903BXSXBA
M3 - CPG0600903BXXBBA
M4 - CPG0600904BXJXBA
M5 - CPG0600904BXSXBA
M6 - CPG0600904BXXBBA
M7 - CPG0601403BXJXBA
M8 - CPG0601403BXSXBA
M9 - CPG0601403BXXBBA
M10 - CPG0601404BXJXBA
M11 - CPG0601404BXSXBA
M12 - CPG0601404BXXBBA
M13 - CPG0601407BXJXBA
M14 - CPG0601407BXSXBA
M15 - CPG0601407BXXBBA
M16 - CPG0721403BXJXBA
M17 - CPG0721403BXSXBA
M18 - CPG0721403BXXBBA
M19 - CPG0721404BXJXBA
M20 - CPG0721404BXSXBA
M21 - CPG0721404BXXBBA
M22 - CPG0721407BXJXBA
M23 - CPG0721407BXSXBA
M24 - CPG0721407BXXBBA

# Top Panel/Tubing Assy

Image 1

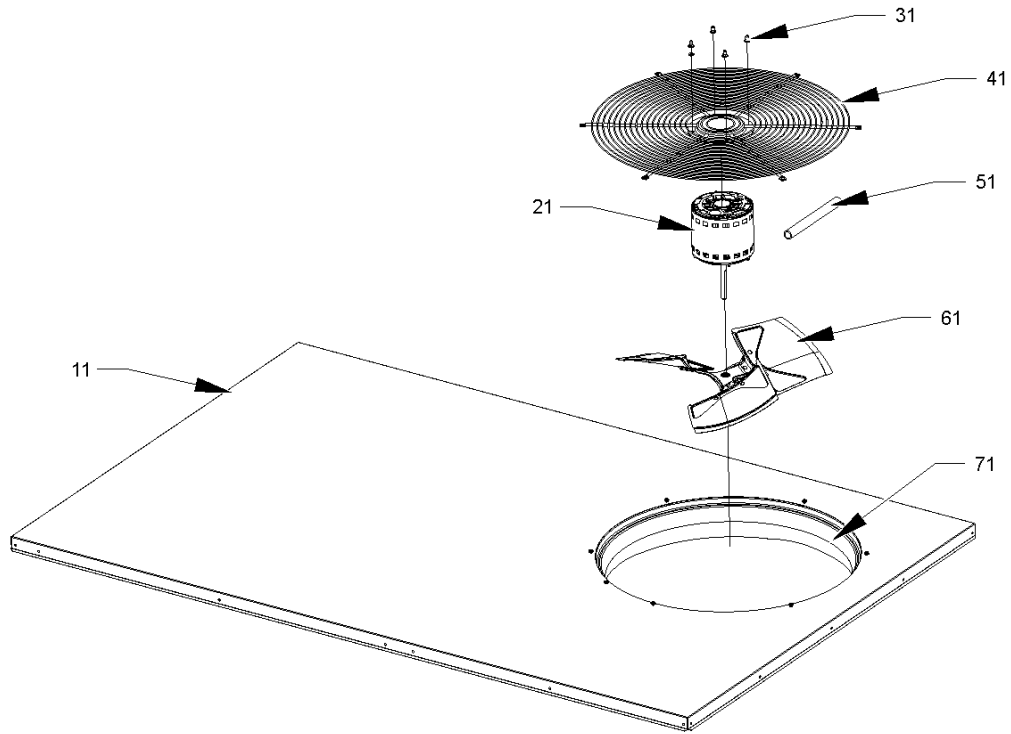
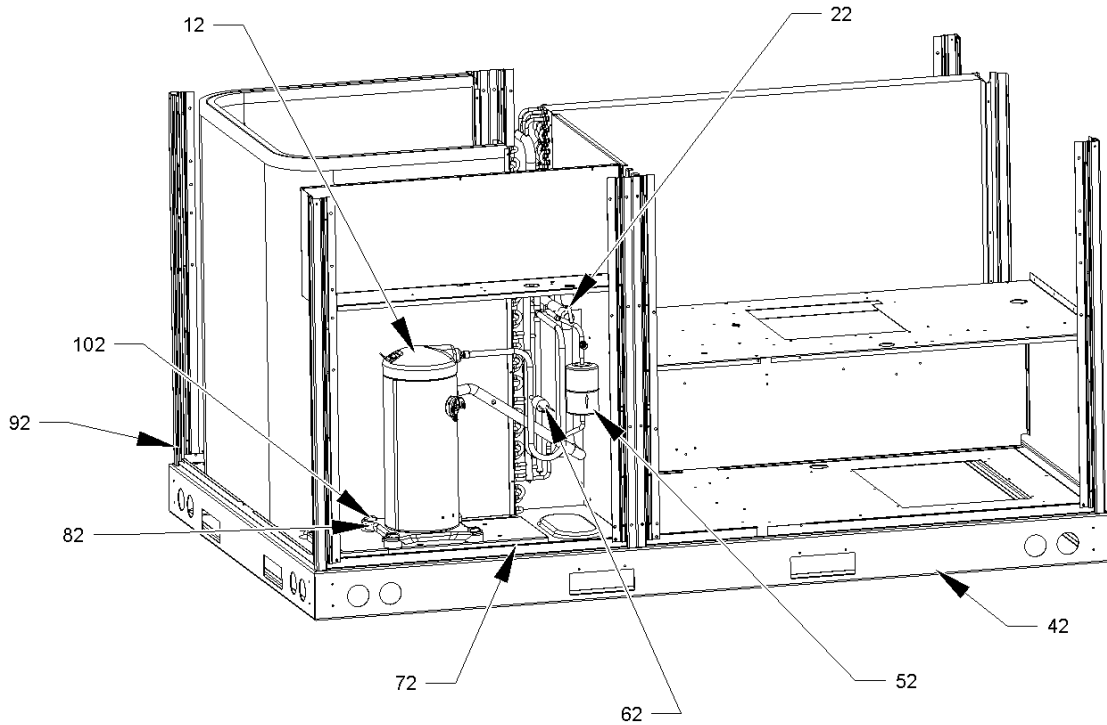


Image 2



# Top Panel/Tubing Assy

Ref. Part No: No:	Description:	Ref. Part No: No:	Description:
<b>Image 1:</b>		<b>Expanded Model Nomenclature</b>	
11	0270L00086 INSULATED ASSY, TOP PANEL	M1	CPG0600903BXJXBA
21	0131M00008P COND MOTOR 1/3 HP, 1 SP, 6 PL (M16, M17, M18)	M2	CPG0600903BXSXBA
21	B13400249 COND MOTOR 1/3 HP, 460V (M19, M20, M21)	M3	CPG0600903BXXXBA
21	0131M00007P COND MOTOR 1/4 HP, 1 SP, 6 PL (M1, M2, M3, M7, M8, M9)	M4	CPG0600904BXJXBA
21	B13400269 COND MOTOR 380/460 50/60 CYCLE (M4, M5, M6, M10, M11, M12)	M5	CPG0600904BXSXBA
21	0131M00098 COND MOTOR 575V (M13, M14, M15)	M6	CPG0600904BXXXBA
21	0131M00100 COND MOTOR 575V (M22, M23, M24)	M7	CPG0601403BXJXBA
31	0163M00006P ACORN NUT 5/16 HEX BLACK (QTY 4)	M8	CPG0601403BXSXBA
41	0152G00002 FAN GRILLE	M9	CPG0601403BXXXBA
51	17788000083F PVC CONDUIT 8.25"	M10	CPG0601404BXJXBA
61	0150G00001 FAN BLADE	M11	CPG0601404BXSXBA
71	0161L00000 VENTURI RING 22"	M12	CPG0601404BXXXBA
<b>Image 2:</b>		M13	CPG0601407BXJXBA
12	ZP51K5ETF5130 COMPRESSOR 51000, 208/230/60/3 (M1, M2, M3, M7, M8, M9)	M14	CPG0601407BXSXBA
12	ZP51K5ETFD130 COMPRESSOR 51000, 460/60/3 (M4, M5, M6, M10, M11, M12)	M15	CPG0601407BXXXBA
12	ZP51K5ETFE130 COMPRESSOR 51000, 575/60/3 (M13, M14, M15)	M16	CPG0721403BXJXBA
12	ZP61KCETF5130 COMPRESSOR 61500, 200/230/60/3 (M16, M17, M18)	M17	CPG0721403BXSXBA
12	ZP61KCETFD130 COMPRESSOR 61500, 460/60/3 (M19, M20, M21)	M18	CPG0721403BXXXBA
12	ZP61KCETFE130 COMPRESSOR 61500, 575/60/3 (M22, M23, M24)	M19	CPG0721404BXJXBA
22	0130L00007 CUT-OUT SWITCH, LOW PRESSURE	M20	CPG0721404BXSXBA
42	0121L00244RF SIDE RAIL (QTY 2)	M21	CPG0721404BXXXBA
52	20485201 BI-FLOW FILTER DRIER (M16, M17, M18, M19, M20, M21, M22, M23, M24)	M22	CPG0721407BXJXBA
52	B5134711 FILTER DRIER (M1, M2, M3, M4, M5, M6, M7, M8, M9, M10, M11, M12, M13, M14, M15)	M23	CPG0721407BXSXBA
62	0130M00055 CUT-OUT SWITCH, HIGH PRESSURE	M24	CPG0721407BXXXBA
72	0121L00310 COMPRESSOR MOUNTING PLATE		
82	B1339533 COMPRESSOR GROMMET (QTY 4)		
92	0121L00245 END RAIL (QTY 2)		
102	M0221641 TF SHOULDER SCREW (QTY 4)		
NS	0159L00028 COMPRESSOR SCROLL HARNESS		

# Cabinet Assy

Image 1

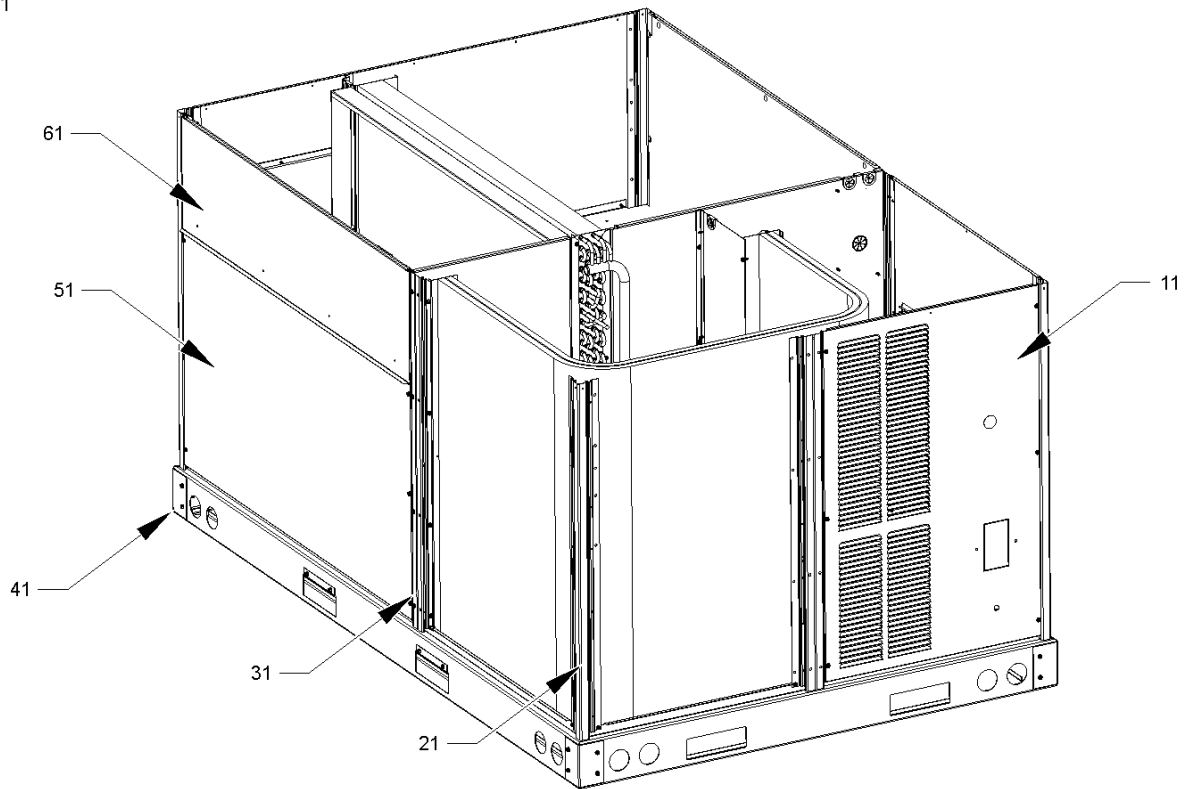
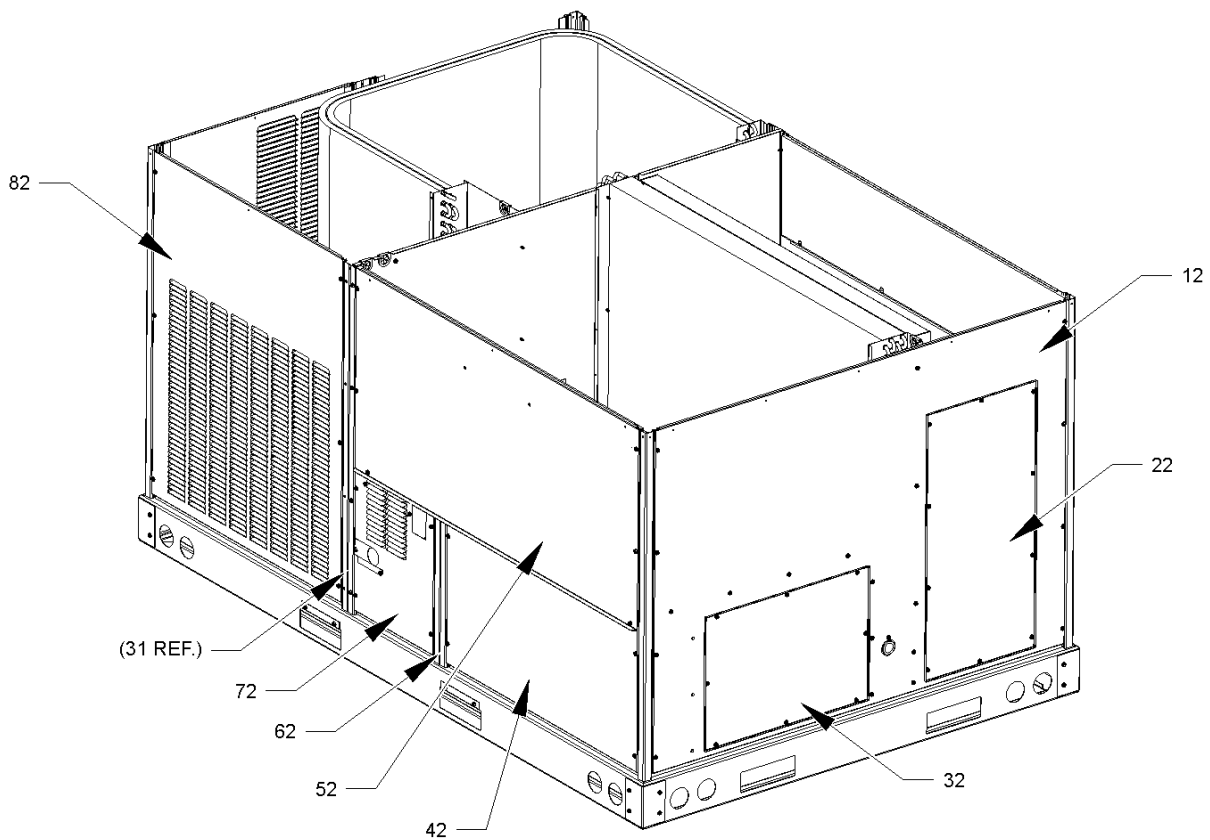


Image 2



# Cabinet Assy

Ref. Part No: No:	Description:	Ref. Part No: No:	Description:
<b>Image 1:</b>		<b>Expanded Model Nomenclature</b>	
11	0121L00263DG LOUVERED COMPRESSOR PANEL (M1, M2, M3, M4, M5, M6, M7, M8, M9, M10, M11, M12, M13, M14, M15)	M1 - CPG0600903BXJXBA	
11	0121L00354DG LOUVERED COMPRESSOR PANEL (M16, M17, M18, M19, M20, M21, M22, M23, M24)	M2 - CPG0600903BXSXBA	
21	0121L00237RFDG CORNER POST (M1, M2, M3, M4, M5, M6, M7, M8, M9, M10, M11, M12, M13, M14, M15)	M3 - CPG0600903BXXBBA	
21	0121L00344RFDG CORNER POST (M16, M17, M18, M19, M20, M21, M22, M23, M24)	M4 - CPG0600904BXJXBA	
31	0121L00233RFDG POST-SIDE SUPPORT (M1, M2, M3, M4, M5, M6, M7, M8, M9, M10, M11, M12, M13, M14, M15)	M5 - CPG0600904BXSXBA	
31	0121L00343RFDG POST-SIDE SUPPORT (M16, M17, M18, M19, M20, M21, M22, M23, M24)	M6 - CPG0600904BXXBBA	
41	0121G00301 RAIL CORNER BRACKET (QTY 4)	M7 - CPG0601403BXJXBA	
51	0270L00081 INSULATED ASSY, ECONOMIZER DOOR	M8 - CPG0601403BXSXBA	
61	0270L00080 INSULATED ASSY, FILTER DOOR (M1, M2, M3, M4, M5, M6, M7, M8, M9, M10, M11, M12, M13, M14, M15)	M9 - CPG0601403BXXBBA	
61	0270L00139 INSULATED ASSY, FILTER DOOR (M16, M17, M18, M19, M20, M21, M22, M23, M24)	M10 - CPG0601404BXJXBA	
NS	0121L00295DG FLUE COLLAR	M11 - CPG0601404BXSXBA	
NS	0121L00276 RAIN SHIELD-DOOR	M12 - CPG0601404BXXBBA	
<b>Image 2:</b>		M13 - CPG0601407BXJXBA	
12	0270L00079 INSULATED ASSY, DUCT PANEL (M1, M2, M3, M4, M5, M6, M7, M8, M9, M10, M11, M12, M13, M14, M15)	M14 - CPG0601407BXSXBA	
12	0270L00145 INSULATED ASSY, DUCT PANEL (M16, M17, M18, M19, M20, M21, M22, M23, M24)	M15 - CPG0601407BXXBBA	
22	0270L00011 INSULATED ASSY, RETURN DUCT	M16 - CPG0721403BXJXBA	
32	0270L00012 INSULATED ASSY, SUPPLY DUCT	M17 - CPG0721403BXSXBA	
42	0270L00083 INSULATED ASSY, HEAT EXCHANGER DOOR	M18 - CPG0721403BXXBBA	
52	0270L00084 INSULATED ASSY, BLOWER DOOR (M1, M2, M3, M4, M5, M6, M7, M8, M9, M10, M11, M12, M13, M14, M15)	M19 - CPG0721404BXJXBA	
52	0270L00146 INSULATED ASSY, BLOWER DOOR (M16, M17, M18, M19, M20, M21, M22, M23, M24)	M20 - CPG0721404BXSXBA	
62	0121L00255RFDG POST-BURNER DOOR	M21 - CPG0721404BXXBBA	
72	0270L00091 BURNER DOOR ASSEMBLY	M22 - CPG0721407BXJXBA	
82	0121L00262DG LOUVERED CONTROL PANEL (M1, M2, M3, M4, M5, M6, M7, M8, M9, M10, M11, M12, M13, M14, M15)	M23 - CPG0721407BXSXBA	
82	0121L00353DG LOUVERED CONTROL PANEL (M16, M17, M18, M19, M20, M21, M22, M23, M24)	M24 - CPG0721407BXXBBA	
NS	0121L00321 SMOKE DETECTOR COVER		

# Partition Assy

Image 1

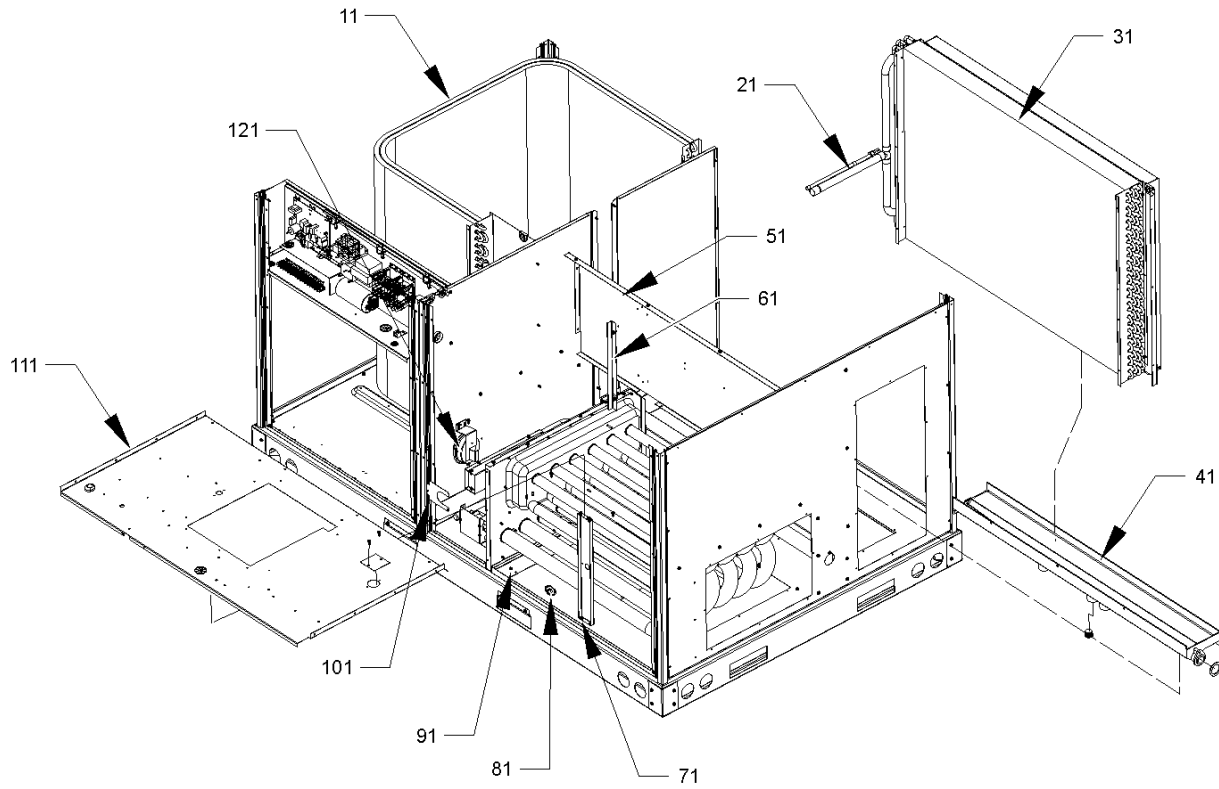
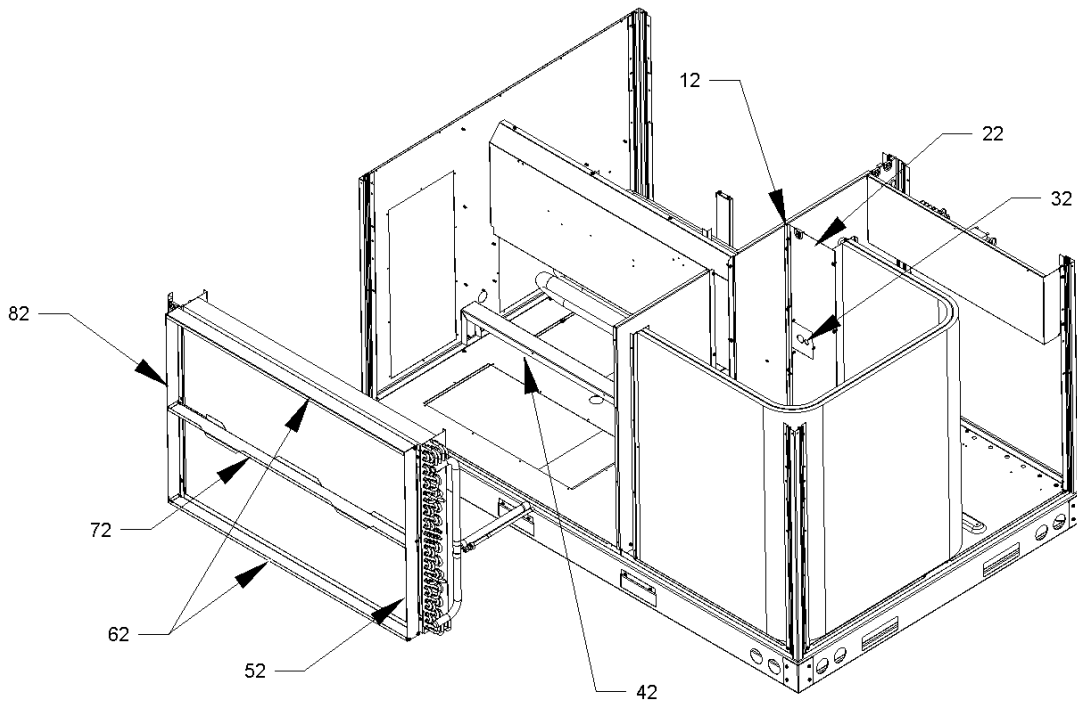


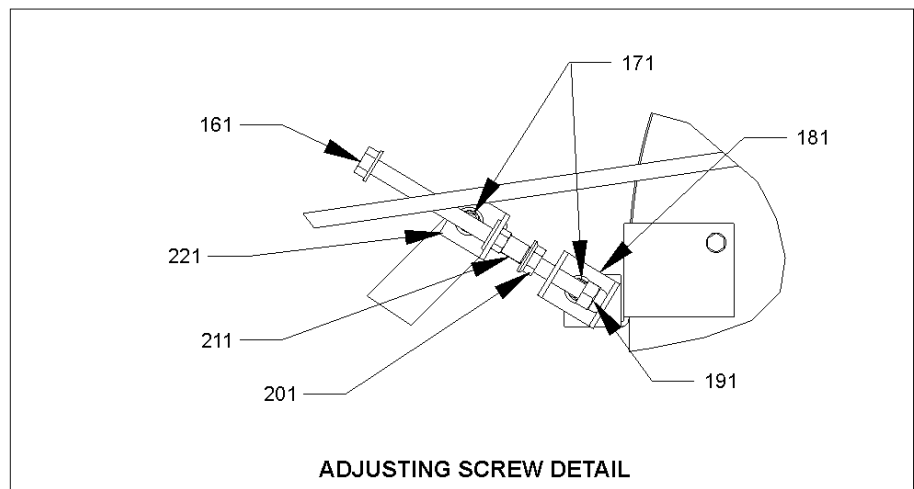
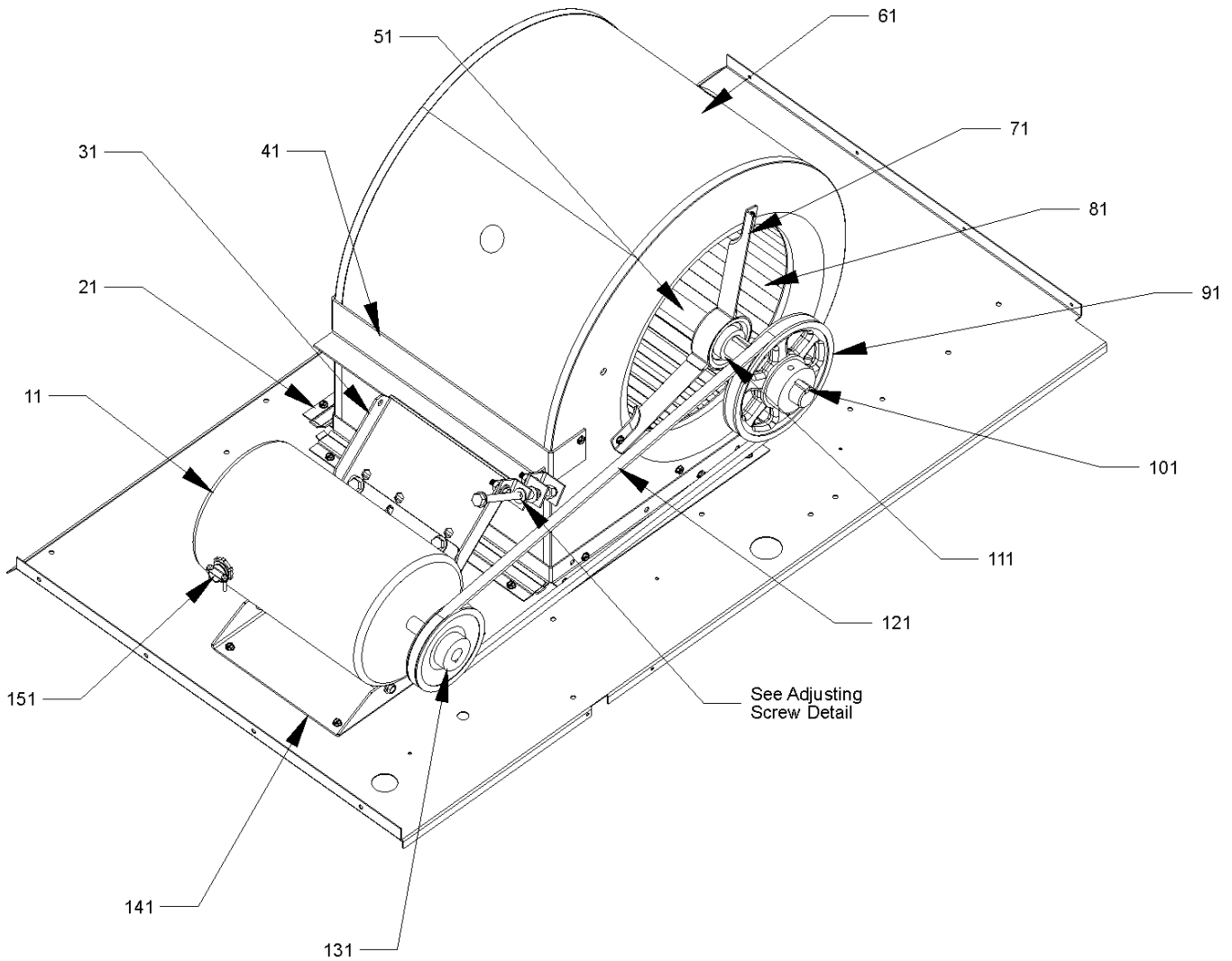
Image 2



# Partition Assy

Ref. Part No: No:	Description:	Ref. Part No: No:	Description:		
<b>Image 1:</b>		<b>Image 2:</b>			
11	0201L00034S TUBING ASSY, COND COIL (M2, M3, M5, M6, M8, M9, M11, M12, M14, M15)	82	0121L00303 FILTER ANGLE-VERTICAL (HAIRPIN SIDE) (M1, M2, M3, M4, M5, M6, M7, M8, M9, M10, M11, M12, M13, M14, M15)		
11	0201L00041 TUBING ASSY, COND COIL (M1, M4, M7, M10, M13)	82	0121L00358 FILTER ANGLE-VERTICAL (HAIRPIN SIDE) (M16, M17, M18, M19, M20, M21, M22, M23, M24)		
11	0201L00053 TUBING ASSY, COND COIL (M17, M18, M20, M21, M23, M24)	NS	B1369608 AIR FILTER 20 X 16 X 2 (M16, M17, M18, M19, M20, M21, M22, M23, M24)		
11	0201L00055 TUBING ASSY, COND COIL (M16, M19, M22)	NS	0160L00008 FILTER 14 X 20 X 2 (M1, M2, M3, M4, M5, M6, M7, M8, M9, M10, M11, M12, M13, M14, M15)		
21	0162L00012 FLOWRATOR [EVAP] (M1, M2, M3, M4, M5, M6, M7, M8, M9, M10, M11, M12, M13, M14, M15)	<b>Expanded Model Nomenclature</b>			
21	0162M00121 FLOWRATOR [EVAP] (M16, M17, M18, M19, M20, M21, M22, M23, M24)	<div style="border: 1px solid black; padding: 5px;"> M1 - CPG0600903BXJXBA  M2 - CPG0600903BXSXBA  M3 - CPG0600903BXXXBA  M4 - CPG0600904BXJXBA  M5 - CPG0600904BXSXBA  M6 - CPG0600904BXXXBA  M7 - CPG0601403BXJXBA  M8 - CPG0601403BXSXBA  M9 - CPG0601403BXXXBA  M10 - CPG0601404BXJXBA  M11 - CPG0601404BXSXBA  M12 - CPG0601404BXXXBA  M13 - CPG0601407BXJXBA  M14 - CPG0601407BXSXBA  M15 - CPG0601407BXXXBA  M16 - CPG0721403BXJXBA  M17 - CPG0721403BXSXBA  M18 - CPG0721403BXXXBA  M19 - CPG0721404BXJXBA  M20 - CPG0721404BXSXBA  M21 - CPG0721404BXXXBA  M22 - CPG0721407BXJXBA  M23 - CPG0721407BXSXBA  M24 - CPG0721407BXXXBA </div>			
31	0202L00020 TUBING ASSY, EVAP COIL (M1, M2, M3, M4, M5, M6, M7, M8, M9, M10, M11, M12, M13, M14, M15)				
31	0202L00032 TUBING ASSY, EVAP COIL (M16, M17, M18, M19, M20, M21, M22, M23, M24)				
41	0161L00005 DRAIN PAN				
51	0121L00243 DECK SIDE CHANNEL				
61	0121L00293 BACK ANGLE-HEAT EXCHANGER (M1, M2, M3, M4, M5, M6, M7, M8, M9, M10, M11, M12, M13, M14, M15)				
71	0121L00300 SUPPORT POST-DECK				
81	20162903 PRIMARY LIMIT - BLUE (M1, M2, M3, M4, M5, M6)				
81	0130M00063 PRIMARY LIMIT - GOLD 140° (M16, M17, M18, M19, M20, M21, M22, M23, M24)				
81	0130F00035 PRIMARY LIMIT - PURPLE 220° (M7, M8, M9, M10, M11, M12, M13, M14, M15)				
81	20162905 PRIMARY LIMIT-YELLOW (M1, M2, M3, M4, M5, M6, M7, M8, M9, M10, M11, M12, M13, M14, M15, M17, M20, M23)				
91	0121L00266 HEAT PANEL CHANNEL (QTY 2)				
101	0121L00299DG GAS VALVE BRACKET				
111	0121L00242 BLOWER DECK				
121	11112501 PRESSURE SWITCH				
NS	0154L00009 DRAIN PAN GASKET				
NS	0162M00120 FLOWRATOR .080 [COND] (M16, M17, M18, M19, M20, M21, M22, M23, M24)				
NS	A3468601 PRESSURE SWITCH HOSE (QTY AR)				
<b>Image 2:</b>					
12	0121L00254 COND MOUNTING ANGLE (M1, M2, M3, M4, M5, M6, M7, M8, M9, M10, M11, M12, M13, M14, M15)				
12	0121L00349 COND MOUNTING ANGLE (M16, M17, M18, M19, M20, M21, M22, M23, M24)				
22	0121L00311 COND BLOCK-OFF (M1, M2, M3, M4, M5, M6, M7, M8, M9, M10, M11, M12, M13, M14, M15)				
22	0121L00348 COND BLOCK-OFF (M16, M17, M18, M19, M20, M21, M22, M23, M24)				
32	0121L00324 COND BLOCK-OFF PLATE				
42	0121L00238 DRAIN PAN SUPPORT				
52	0121L00287 FILTER ANGLE-VERTICAL (RETURN SIDE) (M1, M2, M3, M4, M5, M6, M7, M8, M9, M10, M11, M12, M13, M14, M15)				
52	0121L00357 FILTER ANGLE-VERTICAL (RETURN SIDE) (M16, M17, M18, M19, M20, M21, M22, M23, M24)				
62	0121L00286 FILTER ANGLE-HORIZONTAL (QTY 2)				
72	0121L00298 FILTER ANGLE-HORIZONTAL (CENTER)				

# Belt Drive Assy



# Belt Drive Assy

Ref. Part No: No:	Description:	Ref. Part No: No:	Description:
<b>Image 1:</b>		<b>Expanded Model Nomenclature</b>	
11	0131L00003	BELT DRIVE MOTOR 1 HP (M1, M2, M3, M4, M5, M6, M7, M8, M9, M10, M11, M12)	M1 - CPG0600903BXJXBA
11	B3240007	BELT DRIVE MOTOR 1.5 HP (M16, M17, M18, M19, M20, M21)	M2 - CPG0600903BXSXBA
11	0131L00004	BELT DRIVE MOTOR 1.5 HP 575V (M13, M14, M15, M22, M23, M24)	M3 - CPG0600903BXXXBA
21	0121L00297	BLOWER SIDE ANGLE (QTY 3)	M4 - CPG0600904BXJXBA
31	0121L00271	MOTOR MOUNT PLATE	M5 - CPG0600904BXSXBA
41	0121L00272	MOTOR MOUNT ANGLE	M6 - CPG0600904BXXXBA
51	0163L00005	BELT DRIVE BLOWER SHAFT	M7 - CPG0601403BXJXBA
61	2539302F	BLOWER HOUSING 11 X 10	M8 - CPG0601403BXSXBA
71	B3201300	MOUNTING BRACKET BEARING (QTY 2)	M9 - CPG0601403BXXXBA
81	B1368056	BELT DRIVE BLOWER WHEEL	M10 - CPG0601404BXJXBA
91	0163L00031	FIXED SHEAVE AK59 (M16, M17, M18, M19, M20, M21, M22, M23, M24)	M11 - CPG0601404BXSXBA
91	B3204303	FIXED SHEAVE AK61 (M1, M2, M3, M4, M5, M6, M7, M8, M9, M10, M11, M12, M13, M14, M15)	M12 - CPG0601404BXXXBA
101	B1398604	STEEL KEY (000158812) 2.0"	M13 - CPG0601407BXJXBA
111	B1399500	BALL BEARING 1.00" (QTY 2)	M14 - CPG0601407BXSXBA
121	0164L00003	FAN BELT, NOTCHED	M15 - CPG0601407BXXXBA
131	B2120001	VARIABLE PITCH SHEAVE 1VL44 X 3/8" (M1, M2, M3, M4, M5, M6, M7, M8, M9, M10, M11, M12, M13, M14, M15)	M16 - CPG0721403BXJXBA
131	B2120014	VARIABLE PITCH SHEAVE 1VL44 X 7/8" (M16, M17, M18, M19, M20, M21, M22, M23, M24)	M17 - CPG0721403BXSXBA
141	0121L00273	MOTOR PIVOT ANGLE	M18 - CPG0721403BXXXBA
151	B1393726	ELECT. CONNECTING BUSHING	M19 - CPG0721404BXJXBA
161	0163M00054	BOLT	M20 - CPG0721404BXSXBA
171	B1393738	BOLT 1/4-20 X 3/4" (QTY 4)	M21 - CPG0721404BXXXBA
181	0121L00274	MOTOR ADJUST BRACKET	M22 - CPG0721407BXJXBA
191	0163M00055	ACORN NUT 5/16 X 18	M23 - CPG0721407BXSXBA
201	B1393020	FLANGED LOCKNUT 5/16-18TPI	M24 - CPG0721407BXXXBA
211	B1393027	HEX NUT INSERT 5/16-18 (QTY 5)	
221	0121L00275	MOUNTING BRACKET INSERT	
NS	20269903	AUXILIARY LIMIT, AUTO RESET (M16, M18, M19, M21, M22, M24)	
NS	1864700F	BELT DRIVE BLOWER CUT-OFF	
NS	B1398603	STEEL KEY (000158812) 4.5"	

# Heat Exchanger and Control Panel Assy

Image 1

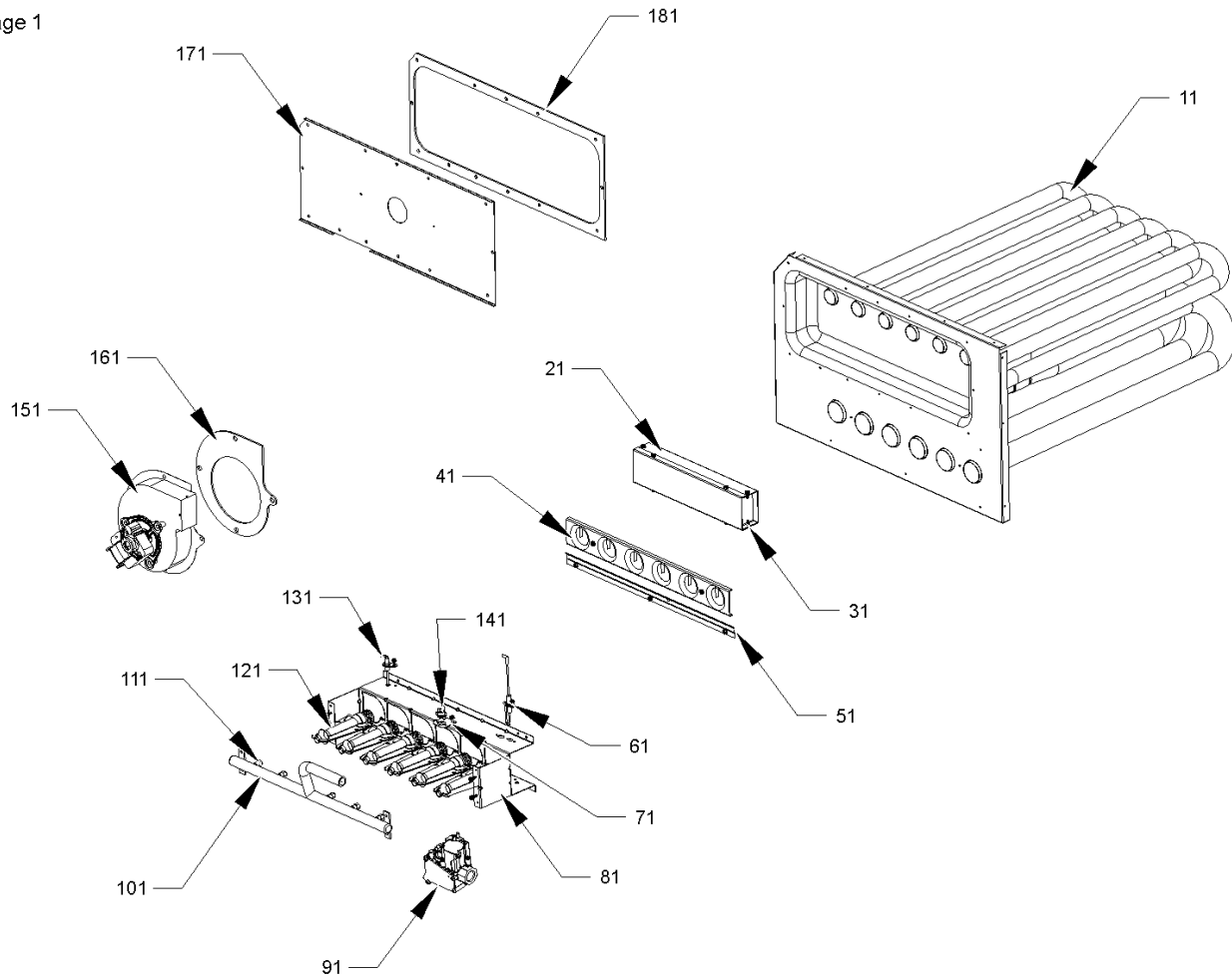
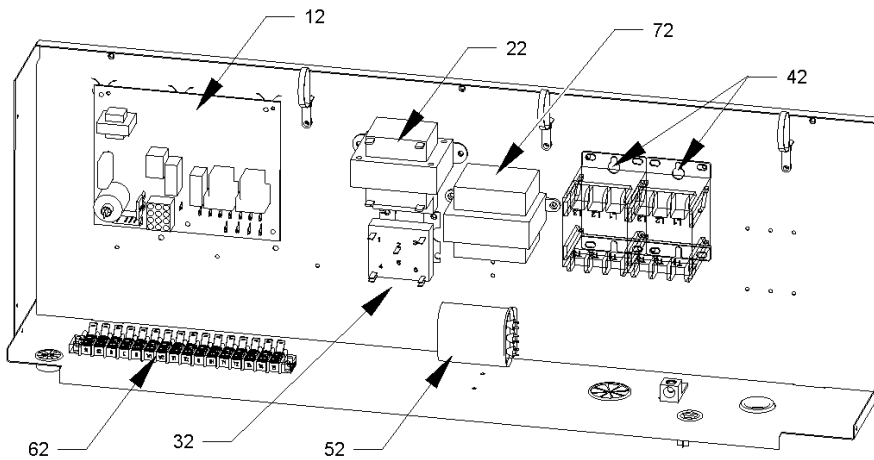


Image 2



# Heat Exchanger and Control Panel Assy

Ref. Part No: No:	Description:	Ref. Part No: No:	Description:
<b>Image 1:</b>		<b>Image 2:</b>	
11	0270L00092 PART/TUBE ASSY 4B (M1, M3, M4, M6)	72	B1141663 TRANSFORMER 460V TO 230V, 150 VA (M4, M5, M6, M10, M11, M12, M19, M20, M21)
11	0270L00105 PART/TUBE ASSY 4B (M2, M5)	72	0130M00044 TRANSFORMER 575/230V (M13, M14, M15, M22, M23, M24)
11	0270L00072 PART/TUBE ASSY 6B (M7, M9, M10, M12, M13, M15, M16, M18, M19, M21, M22, M24)	NS	0259L00067 12-PIN MALE PLUG ASSY (M1, M2, M3, M4, M5, M6, M7, M8, M9, M10, M11, M12, M13, M14, M15)
11	0270L00104 PART/TUBE ASSY 6B (M8, M11, M14, M17, M20, M23)	NS	0259L00093 12-PIN MALE PLUG ASSY (M16, M17, M18, M19, M20, M21, M22, M23, M24)
21	0121L00277 FLUE CHANNEL	NS	20520901 CAPACITOR STRAP
31	0121L00278 FLUE SIDE COVER	NS	0259L00074 CONTROL HARNESS (M1, M2, M3, M7, M8, M9, M16, M17, M18)
41	11072203 ORIFICE SHIELD (M1, M2, M3, M4, M5, M6)	NS	0259L00075 CONTROL HARNESS (M4, M5, M6, M10, M11, M12, M13, M14, M15, M19, M20, M21, M22, M23, M24)
41	11072205 ORIFICE SHIELD (M7, M8, M9, M10, M11, M12, M13, M14, M15, M16, M17, M18, M19, M20, M21, M22, M23, M24)	NS	0259L00054 WIRING HARNESS (M1, M2, M3, M7, M8, M9, M13, M14, M15, M16, M17, M18, M22, M23, M24)
51	0121L00267 BURNER SLIDE BRACKET	NS	0259L00060 WIRING HARNESS (M4, M5, M6, M10, M11, M12, M19, M20, M21)
61	20261709 IGNITOR	NS	0259L00065 WIRING HARNESS (M1, M2, M3, M4, M5, M6, M7, M8, M9, M10, M11, M12, M13, M14, M15)
71	0121L00053 FLAME ROLLOUT BRACKET	NS	0259L00068 WIRING HARNESS
81	20190412 BURNER BRACKET 4B (M1, M2, M3, M4, M5, M6)	NS	0259L00069 WIRING HARNESS
81	0121F00145 BURNER BRACKET 6B (M7, M8, M9, M10, M11, M12, M13, M14, M15, M16, M17, M18, M19, M20, M21, M22, M23, M24)	NS	0259L00094 WIRING HARNESS (M16, M17, M18, M19, M20, M21, M22, M23, M24)
91	0151F00000P GAS VALVE - WHITE-RODGERS 2-STAGE		
101	0163L00026 MANIFOLD - 4 BRNR (M1, M2, M3, M4, M5, M6)		
101	0163L00025 MANIFOLD - 6 BRNR (M7, M8, M9, M10, M11, M12, M13, M14, M15, M16, M17, M18, M19, M20, M21, M22, M23, M24)		
111	10716003 ORIFICE (QTY 4)		
121	10735102 BECKETT BURNER (QTY 4)		
131	0130F00010 FLAME SENSOR		
141	10123532 MANUAL RESET LIMIT 350°F		
151	0131M00121 ID COMBUSTION BLOWER		
161	0154L00020 ID BLOWER GASKET		
171	0121L00241 ID BLOWER PLATE (M7, M8, M9, M10, M11, M12, M13, M14, M15, M16, M17, M18, M19, M20, M21, M22, M23, M24)		
171	0121L00284 ID BLOWER PLATE 4 BRNR (M1, M2, M3, M4, M5, M6)		
181	0154L00018 ID BLOWER PLATE GASKET 4 BRNR (M1, M2, M3, M4, M5, M6)		
181	0154L00017 ID BLOWER PLATE GASKET 6 BRNR (M7, M8, M9, M10, M11, M12, M13, M14, M15, M16, M17, M18, M19, M20, M21, M22, M23, M24)		
NS	0163L00028 FLUE SCREEN		
<b>Image 2:</b>			
12	PCBAG123 IGNITION BOARD, DSI INTEGRATED		
22	B1141643 TRANSFORMER 208/230, 24V (M1, M2, M3, M7, M8, M9, M16, M17, M18)		
22	B1141672 TRANSFORMER 480V, 75VA, RESETTABLE (M4, M5, M6, M10, M11, M12, M19, M20, M21)		
22	0130M00045 TRANSFORMER 575/24V (M13, M14, M15, M22, M23, M24)		
32	0130M00025 24V RELAY		
42	CONT3P025024V CONTACTOR 25 AMP, 3P, 24V (M4, M5, M6, M10, M11, M12, M13, M14, M15, M19, M20, M21, M22, M23, M24)		
42	CONT3P030024V CONTACTOR 30 AMP, 3P, 24V (M1, M2, M3, M7, M8, M9, M16, M17, M18)		
52	CAP050000370VA CAPACITOR 5/370V		
62	0130M00038 TERMINAL BOARD		

### Expanded Model Nomenclature

M1 - CPG0600903BXJXBA
M2 - CPG0600903BXSXBA
M3 - CPG0600903BXXSBA
M4 - CPG0600904BXJXBA
M5 - CPG0600904BXSXBA
M6 - CPG0600904BXXSBA
M7 - CPG0601403BXJXBA
M8 - CPG0601403BXSXBA
M9 - CPG0601403BXXSBA
M10 - CPG0601404BXJXBA
M11 - CPG0601404BXSXBA
M12 - CPG0601404BXXSBA
M13 - CPG0601407BXJXBA
M14 - CPG0601407BXSXBA
M15 - CPG0601407BXXSBA
M16 - CPG0721403BXJXBA
M17 - CPG0721403BXSXBA
M18 - CPG0721403BXXSBA
M19 - CPG0721404BXJXBA
M20 - CPG0721404BXSXBA
M21 - CPG0721404BXXSBA
M22 - CPG0721407BXJXBA
M23 - CPG0721407BXSXBA
M24 - CPG0721407BXXSBA