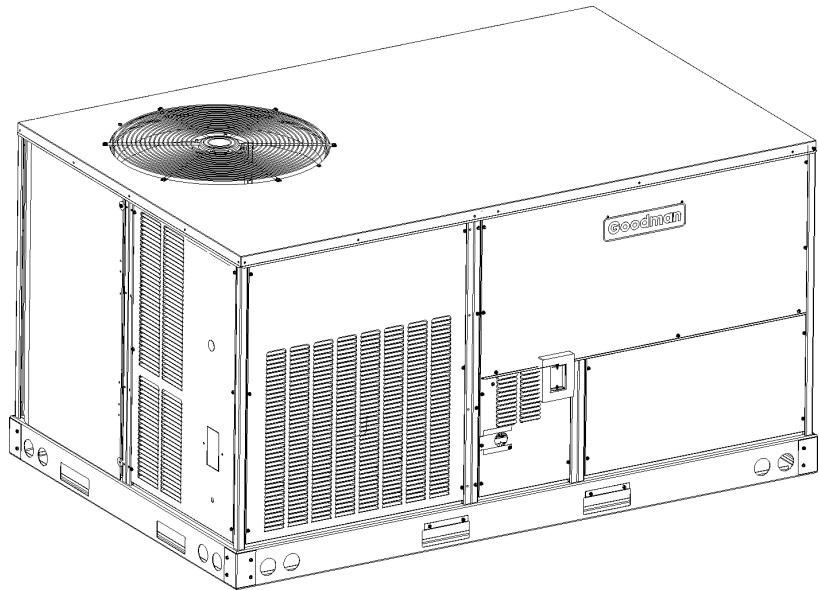


# REPAIR PARTS

## Commercial 6 Ton Package Gas Units

CPG0721403BAAMCA  
CPG0721403BASCCA  
CPG0721403BHXJCA  
CPG0721403BHXZCA  
CPG0721403BXJXCA  
CPG0721403BXSXCA  
CPG0721403BXXACA  
CPG0721403BXXDCA  
CPG0721403HAAXCA  
CPG0721404BABBCA  
CPG0721404BAXCCA  
CPG0721404BAXXCA  
CPG0721404BXABCA  
CPG0721404BXJXCA  
CPG0721404BXSXCA  
CPG0721404BXXECA  
CPG0721407BXJXCA  
CPG0721407BXSXCA  
CPG0721407HAXXCA



This manual is to be used by qualified technicians only.

This manual replaces RP-767D.

© 2012-2013, 2016 Goodman Manufacturing Company, L.P. ♦ 5151 San Felipe St., Suite 500 ♦ Houston, TX 77056

# Important Information

---

## Index

Functional Parts List .....	3
Illustration and Parts .....	4 - 15

*Views shown are for parts illustrations only, not servicing procedures*

### Text Codes:

AR - As Required

NA - Not Available

NS - Not Shown

00000000 - See Note

QTY - Quantity Example (QTY 3) (If Quantity not shown, Quantity = 1)

M - Model Example (M1) (If M Code not shown, then part is used on all Models)

### Expanded Model Nomenclature:

Example M1 - Model#1 M2 - Model#2 M3 - Model#3
---

Goodman Manufacturing Company, L.P. is not responsible for personal injury or property damage resulting from improper service. Review all service information before beginning repairs.

Warranty service must be performed by an authorized technician, using authorized factory parts. If service is required after the warranty expires, Goodman Manufacturing Company, L.P. also recommends contacting an authorized technician and using authorized factory parts.

Goodman Manufacturing Company, L.P. reserves the right to discontinue, or change at any time, specifications or designs without notice or without incurring obligations.

For assistance within the U.S.A. contact:  
Consumer Affairs Department  
Goodman Manufacturing Company, L.P.  
7401 Security Way  
Houston, Texas 77040  
877-254-4729-Telephone  
713-863-2382-Facsimile

For assistance outside the U.S.A. contact:  
International Division  
Goodman Manufacturing Company, L.P.  
7401 Security Way  
Houston, Texas 77040  
713-861-2500-Telephone  
713-863-2382-Facsimile

# Functional Parts

**Part No:**            **Description:**

Part No:	Description:	Expanded Model Nomenclature
0130M00025	24V RELAY	M1 - CPG0721403BAAMCA
B1368056	BELT DRIVE BLOWER WHEEL	M2 - CPG0721403BASCCA
B3240007	BELT DRIVE MOTOR 1.5 HP (M1, M2, M3, M4, M5, M6, M7, M8, M9, M10, M11, M12, M13, M14, M15, M16)	M3 - CPG0721403BHXJCA
0131L00004	BELT DRIVE MOTOR 1.5 HP 575V (M17, M18, M19)	M4 - CPG0721403BHXZCA
CAP100000370LA	CAPACITOR 10/370V (M1, M2, M3, M4, M5, M6, M7, M8, M9)	M5 - CPG0721403BXJXCA
CAP050000370VA	CAPACITOR 5/370V	M6 - CPG0721403BXSXCA
ZP61KCETF5830	COMP, 61500,200/230/60/3 (M1, M2, M3, M4, M5, M6, M7, M8, M9)	M7 - CPG0721403BXXACA
ZP61KCETFD830	COMP, 61500,460/60/3 (M10, M11, M12, M13, M14, M15, M16)	M8 - CPG0721403BXXDCA
ZP61KCETFE830	COMPRESSOR 61500, 575/60/3 (M17, M18, M19)	M9 - CPG0721403HAAXCA
0131M00430	COND MOTOR 1/3 HP, 1 SP, 6 PL (M1, M2, M3, M4, M5, M6, M7, M8, M9)	M10 - CPG0721404BABBCA
B13400249	COND MOTOR 1/3 HP, 460V (M10, M11, M12, M13, M14, M15, M16)	M11 - CPG0721404BAXCCA
0131M00179	COND MOTOR 1/3 HP, 6 PL, 575V (M17, M18, M19)	M12 - CPG0721404BAXXCA
CONT3P025024V	CONTACTOR 25 AMP, 3P, 24V (M10, M11, M12, M13, M14, M15, M16, M17, M18, M19)	M13 - CPG0721404BXABCA
CONT3P030024V	CONTACTOR 30 AMP, 3P, 24V (M1, M2, M3, M4, M5, M6, M7, M8, M9)	M14 - CPG0721404BXJXCA
0130M00074	CUT-OUT SWITCH, HIGH PRESSURE	M15 - CPG0721404BXSXCA
0130M00087	CUT-OUT SWITCH, LOW PRESSURE	M16 - CPG0721404BXXECA
0164L00010	FAN BELT, NOTCHED	M17 - CPG0721407BXJXCA
0150G00001	FAN BLADE (M17, M18, M19)	M18 - CPG0721407BXSXCA
B1086765S	FAN BLADE TYPE 3 (M1, M2, M3, M4, M5, M6, M7, M8, M9, M10, M11, M12, M13, M14, M15, M16)	M19 - CPG0721407HAXXCA
0130F00010	FLAME SENSOR	
0151F00000P	GAS VALVE - WHITE-RODGERS 2-STAGE	
PCBAG123	IGNITION BOARD, DSI INTEGRATED	
20261709	IGNITOR	
10123532	MANUAL RESET LIMIT 350°F	
11112501	PRESSURE SWITCH	
0130M00063	PRIMARY LIMIT - GOLD 140°	
0130F00037	PRIMARY LIMIT - GRAY 150°	
0130M00038	TERMINAL BOARD	
0130M00138	TRANSFORMER 208/230, 24V (M1, M2, M3, M4, M5, M6, M7, M8, M9)	
B1141663	TRANSFORMER 460V TO 230V, 150 VA (M10, M11, M12, M13, M14, M15, M16)	
0130M00145	TRANSFORMER 480V to 24V, 75VA (M10, M11, M12, M13, M14, M15, M16)	
0130M00044	TRANSFORMER 575/230V (M17, M18, M19)	
0130M00148	TRANSFORMER 575V to 24V, 75VA (M17, M18, M19)	

# Top Panel/Tubing Assy

Image 1

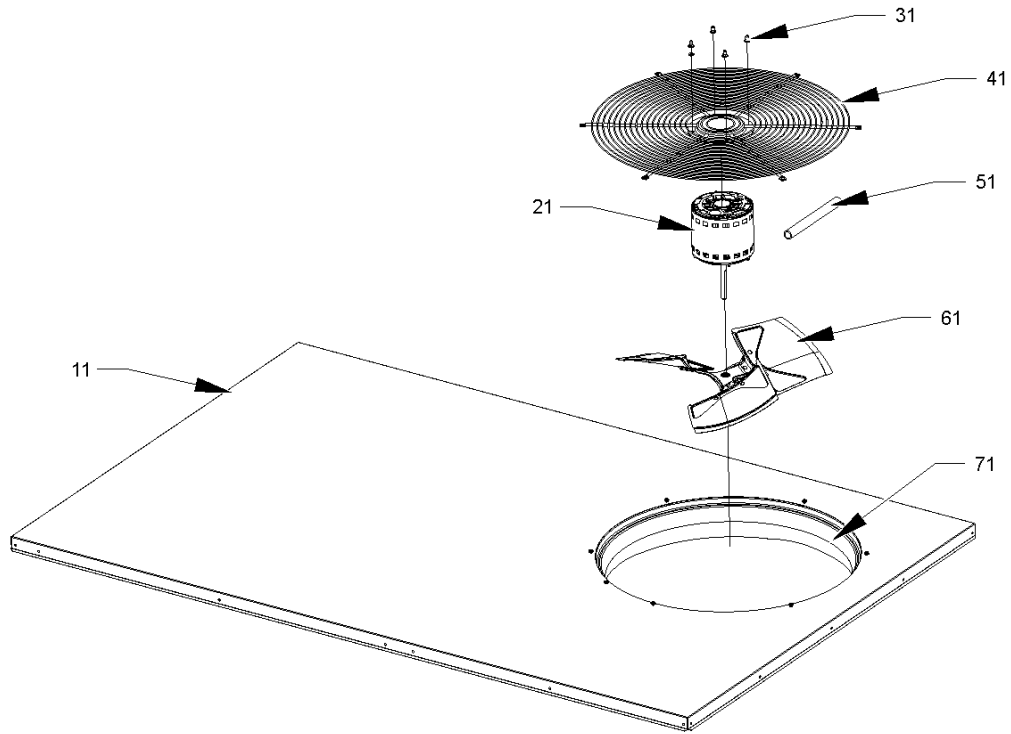
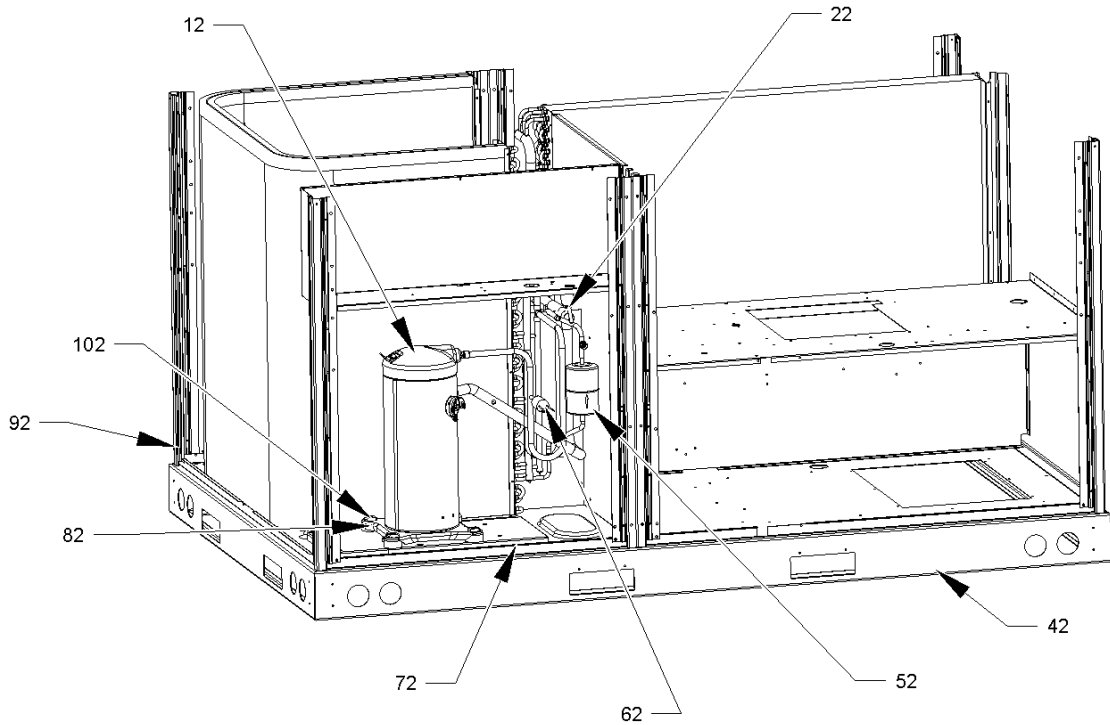


Image 2



# Top Panel/Tubing Assy

Ref. Part No: No:	Description:	Ref. Part No: No:	Description:
-------------------	--------------	-------------------	--------------

**Image 1:**

11	0121L00235DG	TOP PANEL
21	0131M00430	COND MOTOR 1/3 HP, 1 SP, 6 PL (M1, M2, M3, M4, M5, M6, M7, M8, M9)
21	B13400249	COND MOTOR 1/3 HP, 460V (M10, M11, M12, M13, M14, M15, M16)
21	0131M00179	COND MOTOR 1/3 HP, 6 PL, 575V (M17, M18, M19)
31	0163M00006P	ACORN NUT 5/16 HEX BLACK (QTY 4)
41	0152G00003	FAN GRILLE
51	17788000083F	PVC CONDUIT 8.25"
61	0150G00001	FAN BLADE (M17, M18, M19)
61	B1086765S	FAN BLADE TYPE 3 (M1, M2, M3, M4, M5, M6, M7, M8, M9, M10, M11, M12, M13, M14, M15, M16)
71	0161L00000	VENTURI RING 22"

**Image 2:**

12	ZP61KCETF5830	COMP, 61500,200/230/60/3 (M1, M2, M3, M4, M5, M6, M7, M8, M9)
12	ZP61KCETFD830	COMP, 61500,460/60/3 (M10, M11, M12, M13, M14, M15, M16)
12	ZP61KCETFE830	COMPRESSOR 61500, 575/60/3 (M17, M18, M19)
22	0130M00087	CUT-OUT SWITCH, LOW PRESSURE
42	0121L00244RF	SIDE RAIL (QTY 2)
52	20485201	BI-FLOW FILTER DRIER
62	0130M00074	CUT-OUT SWITCH, HIGH PRESSURE
72	0121L00310	COMPRESSOR MOUNTING PLATE
82	B1339533	COMPRESSOR GROMMET (QTY 4)
92	0121L00245	END RAIL (QTY 2)
102	M0221641	TF SHOULDER SCREW (QTY 4)
NS	0159L00028	COMPRESSOR SCROLL HARNESS

**Expanded Model Nomenclature**

M1 - CPG0721403BAAMCA
M2 - CPG0721403BASCCA
M3 - CPG0721403BHXJCA
M4 - CPG0721403BHXZCA
M5 - CPG0721403BXJXCA
M6 - CPG0721403BXSXCA
M7 - CPG0721403BXXACA
M8 - CPG0721403BXXDCA
M9 - CPG0721403HAAXCA
M10 - CPG0721404BABBCA
M11 - CPG0721404BAXCCA
M12 - CPG0721404BAXXCA
M13 - CPG0721404BXABCA
M14 - CPG0721404BXJXCA
M15 - CPG0721404BXSXCA
M16 - CPG0721404BXXECA
M17 - CPG0721407BXJXCA
M18 - CPG0721407BXSXCA
M19 - CPG0721407HAXXCA

# Cabinet Assy

Image 1

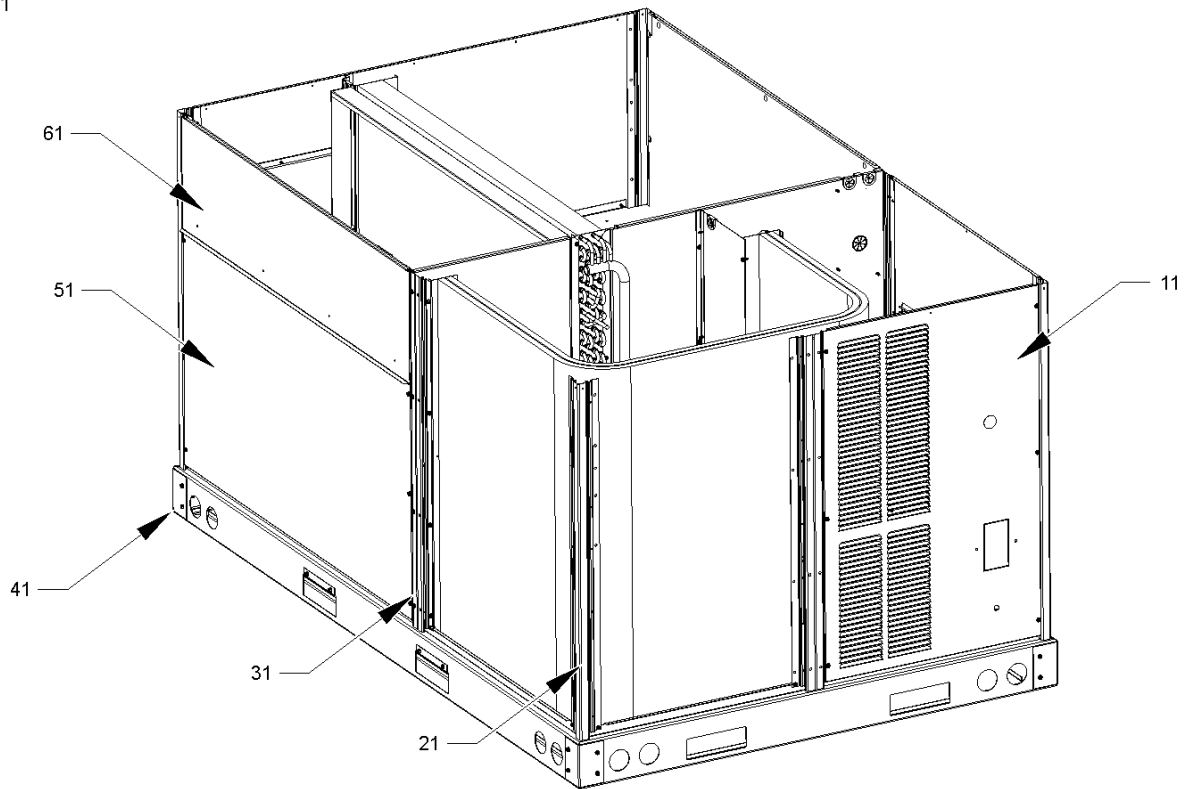
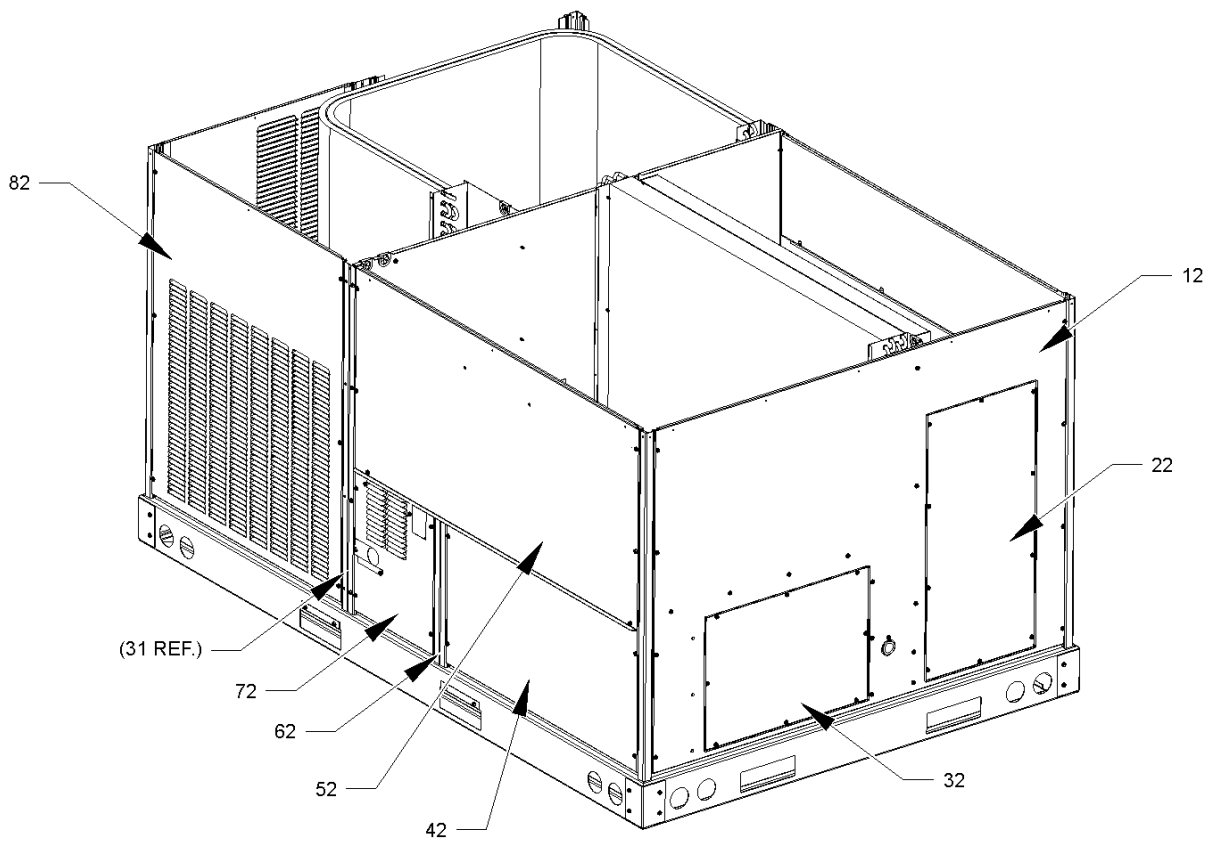


Image 2



# Cabinet Assy

Ref. Part No: No:	Description:	Ref. Part No: No:	Description:
-------------------	--------------	-------------------	--------------

**Image 1:**

11	0121L00354DG	LOUVERED COMPRESSOR PANEL (M3, M4)
21	0121L00344RFDG	CORNER POST (QTY 4)
31	0121L00343RFDG	POST-SIDE SUPPORT (QTY 3)
41	0121G00301	RAIL CORNER BRACKET (QTY 4)
51	0121L00976DG	ECONOMIZER DOOR
61	0270L00363DG	FILTER DOOR
NS	B1369608	AIR FILTER 20 X 16 X 2 (QTY 4)

**Image 2:**

12	0121L00342DG	DUCT PANEL
22	0121L00023DG	RETURN DUCT
32	0121L00024DG	SUPPLY DUCT
42	0121L00257DG	HEAT EXCHANGER DOOR
52	0121L00346DG	BLOWER DOOR
62	0121L00255RFDG	POST-BURNER DOOR
72	0121L00706DG	DOOR-BURNERS, PAINTED
82	0121L00353DG	LOUVERED CONTROL PANEL
NS	0121L00295DG	FLUE COLLAR
NS	0121L00689	RAIN SHIELD-DOOR
NS	0121L00321	SMOKE DETECTOR COVER

**Expanded Model Nomenclature**

- M1 - CPG0721403BAAMCA
- M2 - CPG0721403BASCCA
- M3 - CPG0721403BHXJCA
- M4 - CPG0721403BHXZCA
- M5 - CPG0721403BXJXCA
- M6 - CPG0721403BXSXCA
- M7 - CPG0721403BXXACA
- M8 - CPG0721403BXXDCA
- M9 - CPG0721403HAAXCA
- M10 - CPG0721404BABBCA
- M11 - CPG0721404BAXCCA
- M12 - CPG0721404BAXXCA
- M13 - CPG0721404BXABCA
- M14 - CPG0721404BXJXCA
- M15 - CPG0721404BXSXCA
- M16 - CPG0721404BXXECA
- M17 - CPG0721407BXJXCA
- M18 - CPG0721407BXSXCA
- M19 - CPG0721407HAXXCA

# Partition Assy

Image 1

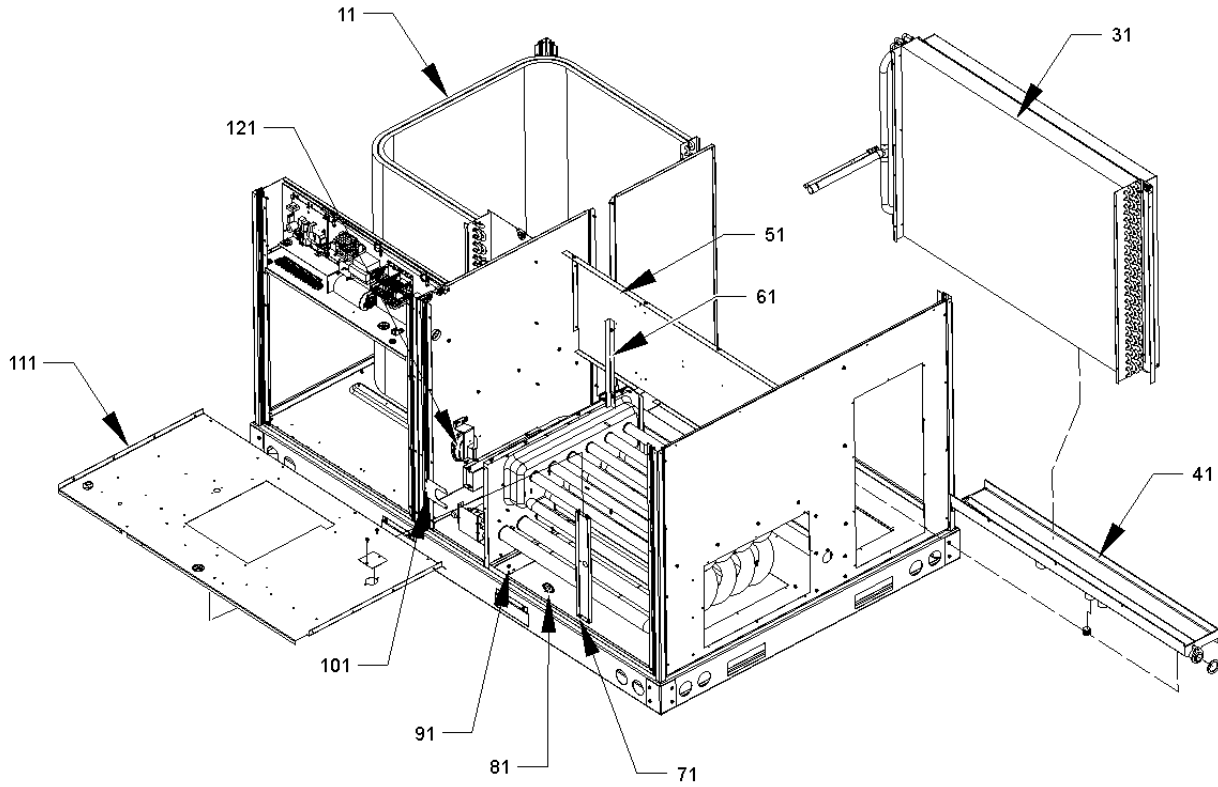
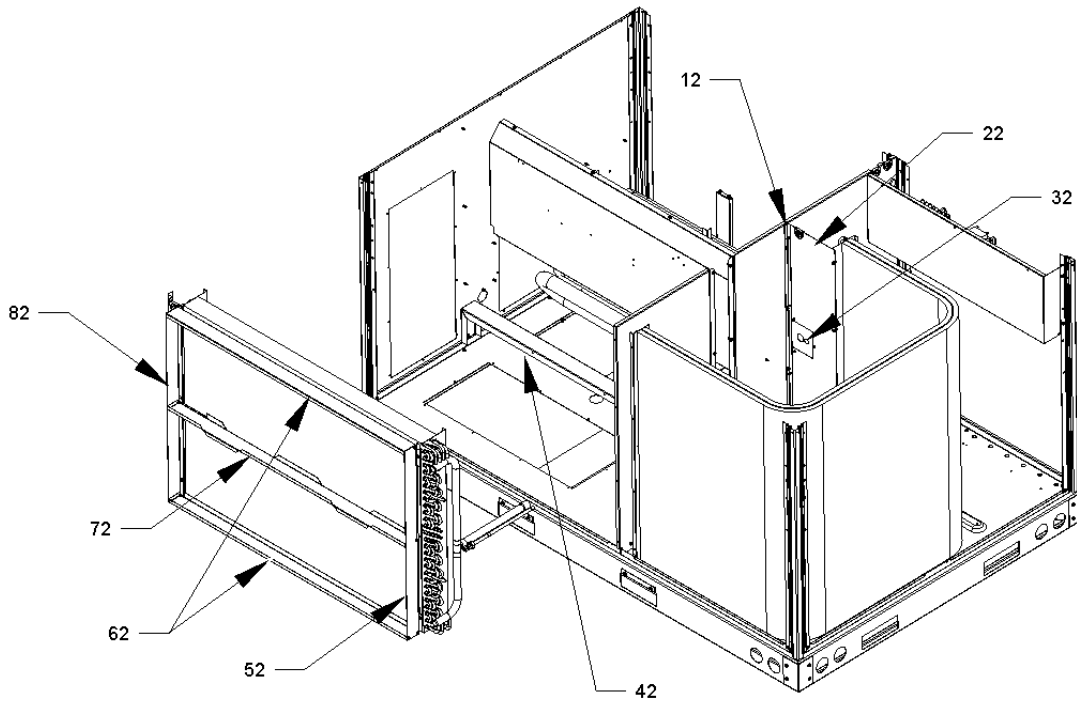


Image 2



# Partition Assy

Ref. Part No:	Part No:	Description:	Ref. Part No:	Part No:	Description:
---------------	----------	--------------	---------------	----------	--------------

**Image 1:**

11	0201L00145	CONDENSER COIL ASSY (M1, M2, M3, M4, M6, M7, M8, M9, M11, M12, M13, M15, M16, M18, M19)
11	0201L00161	CONDENSER COIL ASSY (M5, M10, M14, M17)
31	0202L00032	TUBING ASSY, EVAP COIL
41	0161L00005	DRAIN PAN
51	0121L00243	DECK SIDE CHANNEL
61	0121L00293	BACK ANGLE-HEAT EXCHANGER (QTY 2)
71	0121L00300	SUPPORT POST-DECK
81	0130M00063	PRIMARY LIMIT - GOLD 140°
91	0121L00266	HEAT PANEL CHANNEL (QTY 2)
101	0121L00299	GAS VALVE BRACKET
111	0121L00981	DECK BLOWER
121	11112501	PRESSURE SWITCH
NS	A3468602	PRESSURE SWITCH HOSE

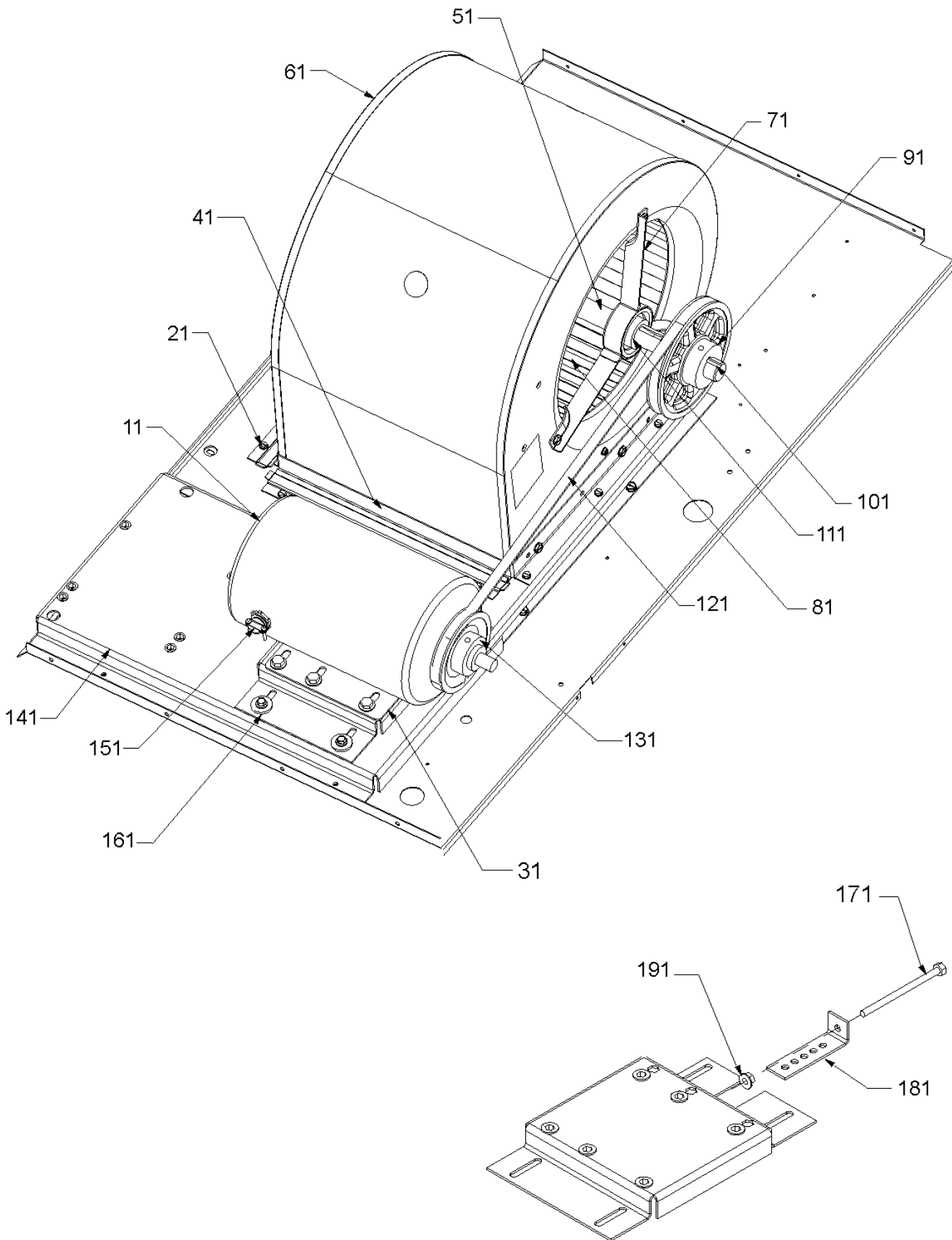
**Image 2:**

12	0121L00349	COND MOUNTING ANGLE
22	0121L00889	BLOCKOFF-CONDENSER
32	0121L00939	CONDENSER BLOCKOFF PLATE
42	0121L00238	DRAIN PAN SUPPORT
52	0121L00357	FILTER ANGLE-VERTICAL (RETURN SIDE)
62	0121L00932	FILTER ANGLE-HORIZONTAL (QTY 2)
72	0121L00298	FILTER ANGLE-HORIZONTAL (CENTER)
82	0121L00358	FILTER ANGLE-VERTICAL (HAIRPIN SIDE)

**Expanded Model Nomenclature**

- M1 - CPG0721403BAAMCA
- M2 - CPG0721403BASCCA
- M3 - CPG0721403BHXJCA
- M4 - CPG0721403BHXZCA
- M5 - CPG0721403BXJXCA
- M6 - CPG0721403BXSXCA
- M7 - CPG0721403BXXACA
- M8 - CPG0721403BXXDCA
- M9 - CPG0721403HAAXCA
- M10 - CPG0721404BABBCA
- M11 - CPG0721404BAXCCA
- M12 - CPG0721404BAXXCA
- M13 - CPG0721404BXABCA
- M14 - CPG0721404BXJXCA
- M15 - CPG0721404BXSXCA
- M16 - CPG0721404BXXECA
- M17 - CPG0721407BXJXCA
- M18 - CPG0721407BXSXCA
- M19 - CPG0721407HAXXCA

# Belt Drive Assy



# Belt Drive Assy

Ref. Part No:	No:	Description:	Ref. Part No:	No:	Description:
<b>Image 1:</b>					
11	B3240007	BELT DRIVE MOTOR 1.5 HP (M1, M2, M3, M4, M5, M6, M7, M8, M9, M10, M11, M12, M13, M14, M15, M16)			
11	0131L00004	BELT DRIVE MOTOR 1.5 HP 575V (M17, M18, M19)			
21	0121L00297	BLOWER SIDE ANGLE (QTY 3)			
31	0121L00899	MOTOR BASE			
41	0121L00281	BLOWER MOUNTING ANGLE			
51	0163L00005	BELT DRIVE BLOWER SHAFT			
61	2539302FS	BLOWER HOUSING 11 X 10			
71	B3201300	MOUNTING BRACKET BEARING (QTY 2)			
81	B1368056	BELT DRIVE BLOWER WHEEL			
91	0163L00031	FIXED SHEAVE AK59			
101	B1398604	STEEL KEY (000158812) 2.0"			
111	B1399500	BALL BEARING 1.00" (QTY 2)			
121	0164L00010	FAN BELT, NOTCHED			
131	B2120001	VARIABLE PITCH SHEAVE 1VL44 X 3/8" (M17, M18, M19)			
131	B2120014	VARIABLE PITCH SHEAVE 1VL44 X 7/8" (M1, M2, M3, M4, M5, M6, M7, M8, M9, M10, M11, M12, M13, M14, M15, M16)			
141	0121L00966	SUPPORT BLOWER PLATE			
151	B1393726	ELECT. CONNECTING BUSHING			
161	B1393738	BOLT 1/4-20 X 3/4" (M1, M10, M13)			
171	0163M00045	BOLT 1/4-20 X 4"			
181	3225000F	BELT TIGHTENER ANGLE			
191	B1393023	NUT / LOCK .25-20			
NS	1864703F	BLOWER CUT-OFF			
NS	0130F00037	PRIMARY LIMIT - GRAY 150°			
NS	B1398603	STEEL KEY (000158812) 4.5"			

## Expanded Model Nomenclature

M1 - CPG0721403BAAMCA
M2 - CPG0721403BASCCA
M3 - CPG0721403BHXJCA
M4 - CPG0721403BHXZCA
M5 - CPG0721403BXJXCA
M6 - CPG0721403BXSXCA
M7 - CPG0721403BXXACA
M8 - CPG0721403BXXDCA
M9 - CPG0721403HAAXCA
M10 - CPG0721404BABBCA
M11 - CPG0721404BAXCCA
M12 - CPG0721404BAXXCA
M13 - CPG0721404BXABCA
M14 - CPG0721404BXJXCA
M15 - CPG0721404BXSXCA
M16 - CPG0721404BXXECA
M17 - CPG0721407BXJXCA
M18 - CPG0721407BXSXCA
M19 - CPG0721407HAXXCA

# Heat Exchanger and Control Panel Assy

Image 1

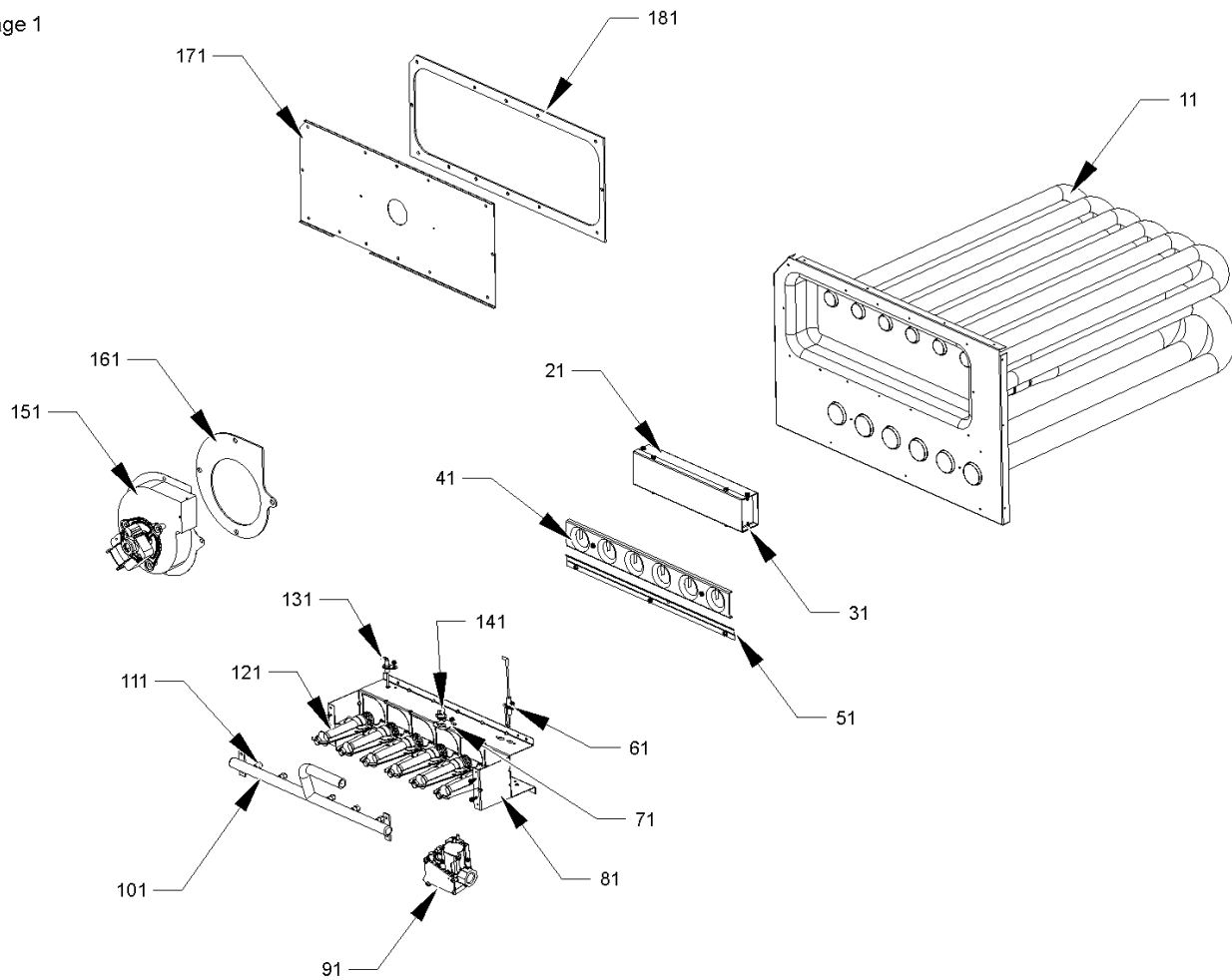
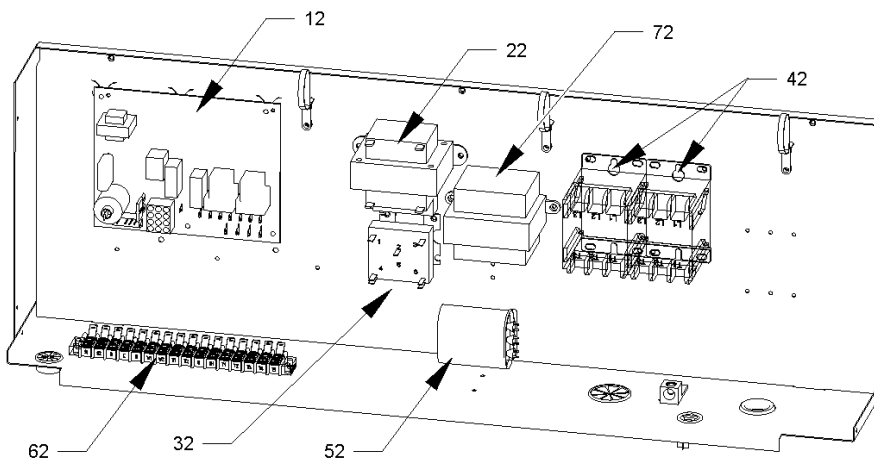


Image 2



# Heat Exchanger and Control Panel Assy

Ref. Part No: No:	Description:	Ref. Part No: No:	Description:
<b>Image 1:</b>		<b>Expanded Model Nomenclature</b>	
11	0270L00072	PART/TUBE ASSY 6B (M1, M3, M4, M5, M7, M8, M9, M10, M11, M12, M13, M14, M16, M17, M19)	M1 - CPG0721403BAAMCA
11	0270L00104	PART/TUBE ASSY 6B (M2, M6, M15, M18)	M2 - CPG0721403BASCCA
21	0121L00277	FLUE CHANNEL	M3 - CPG0721403BHJCA
31	0121L00278	FLUE SIDE COVER	M4 - CPG0721403BHJZCA
41	11072205	ORIFICE SHIELD	M5 - CPG0721403BXJXCA
51	0121L00267	BURNER SLIDE BRACKET	M6 - CPG0721403BXSXCA
61	20261709	IGNITOR	M7 - CPG0721403BXXACA
71	0121L00053	FLAME ROLLOUT BRACKET	M8 - CPG0721403BXXDCA
81	0121F00145	BURNER BRACKET 6B	M9 - CPG0721403HAAXCA
91	0151F00000P	GAS VALVE - WHITE-RODGERS 2-STAGE	M10 - CPG0721404BABBCA
101	0270L00090	MANIFOLD ASSEMBLY-6 BURNER	M11 - CPG0721404BAXCCA
111	10716003	ORIFICE (QTY 6)	M12 - CPG0721404BAXXCA
121	10735102	BECKETT BURNER (QTY 6)	M13 - CPG0721404BXABCA
131	0130F00010	FLAME SENSOR	M14 - CPG0721404BXJXCA
141	10123532	MANUAL RESET LIMIT 350°F	M15 - CPG0721404BXSXCA
151	0131M00121	ID COMBUSTION BLOWER	M16 - CPG0721404BXXECA
161	0154L00020	ID BLOWER GASKET	M17 - CPG0721407BXJXCA
171	0121L00241	ID BLOWER PLATE	M18 - CPG0721407BXSXCA
181	0154L00017	ID BLOWER PLATE GASKET 6 BRNR	M19 - CPG0721407HAXXCA
NS	0163L00072	SCREEN-FLUE	
<b>Image 2:</b>			
12	PCBAG123	IGNITION BOARD, DSI INTEGRATED	
22	0130M00138	TRANSFORMER 208/230, 24V (M1, M2, M3, M4, M5, M6, M7, M8, M9)	
22	0130M00145	TRANSFORMER 480V to 24V, 75VA (M10, M11, M12, M13, M14, M15, M16)	
22	0130M00148	TRANSFORMER 575V to 24V, 75VA (M17, M18, M19)	
32	0130M00025	24V RELAY	
42	CONT3P025024V	CONTACTOR 25 AMP, 3P, 24V (M10, M11, M12, M13, M14, M15, M16, M17, M18, M19)	
42	CONT3P030024V	CONTACTOR 30 AMP, 3P, 24V (M1, M2, M3, M4, M5, M6, M7, M8, M9)	
52	CAP100000370LA	CAPACITOR 10/370V (M1, M2, M3, M4, M5, M6, M7, M8, M9)	
52	CAP050000370VA	CAPACITOR 5/370V	
62	0130M00038	TERMINAL BOARD	
72	B1141663	TRANSFORMER 460V TO 230V, 150 VA (M10, M11, M12, M13, M14, M15, M16)	
72	0130M00044	TRANSFORMER 575/230V (M17, M18, M19)	
NS	20520901	CAPACITOR STRAP (QTY 2)	
NS	0259L00074	CONTROL HARNESS (M1, M2, M3, M4, M5, M6, M7, M8, M9)	
NS	0259L00075	CONTROL HARNESS (M10, M11, M12, M13, M14, M15, M16, M17, M18, M19)	
NS	0259L00126	HARNESS, WIRING	
NS	0259L00128	HARNESS, WIRING	
NS	0259L00054	WIRING HARNESS (M1, M2, M3, M4, M5, M6, M7, M8, M9, M17, M18, M19)	
NS	0259L00060	WIRING HARNESS (M10, M11, M12, M13, M14, M15, M16)	
NS	0259L00069	WIRING HARNESS	
NS	0259L00094	WIRING HARNESS	

# ACCESSORY PARTS LIST

# ACCESSORY PARTS

Ref. Part No:	No:	Description:	Ref. Part No:	No:	Description:
<i>Image 1:</i>					
NS	0130M00065	CIRCUIT BREAKER, CONVENIENCE OUTLET (M1, M10, M13)			
NS	0270L00107	CONVENIENCE OUTLET ASSEMBLY (M1, M3, M7, M10, M13)			
NS	DSC060A42Y001FI	DISCONNECT MODULE ASSY (M3, M4)			
NS	DNECONGS3672B	ECONOMIZER, DOWNFLOW GAS/AC (M1, M2, M9, M10, M11, M12, M19)			
NS	HAILGD04FI	HAIL GUARD ASSEMBLY (M1, M9, M10, M13)			
NS	LAKT01	LOW AMBIENT KIT (M1, M2, M11)			
NS	SDRKT01FI6	SMOKE DETECTOR ASSEMBLY (M8)			
NS	SDSKT01FI	SMOKE DETECTOR ASSEMBLY (M16)			
NS	SDSRKT01FI6	SMOKE DETECTOR ASSEMBLY (M3, M4)			
NS	0130M00061	TRANSFORMER, CONVENIENCE OUTLET (M1, M10, M13)			

## Expanded Model Nomenclature

- M1 - CPG0721403BAAMCA
- M2 - CPG0721403BASCCA
- M3 - CPG0721403BHXJCA
- M4 - CPG0721403BHXZCA
- M5 - CPG0721403BXJXCA
- M6 - CPG0721403BXSXCA
- M7 - CPG0721403BXXACA
- M8 - CPG0721403BXXDCA
- M9 - CPG0721403HAAXCA
- M10 - CPG0721404BABBCA
- M11 - CPG0721404BAXCCA
- M12 - CPG0721404BAXXCA
- M13 - CPG0721404BXABCA
- M14 - CPG0721404BXJXCA
- M15 - CPG0721404BXSXCA
- M16 - CPG0721404BXXECA
- M17 - CPG0721407BXJXCA
- M18 - CPG0721407BXSXCA
- M19 - CPG0721407HAXXCA