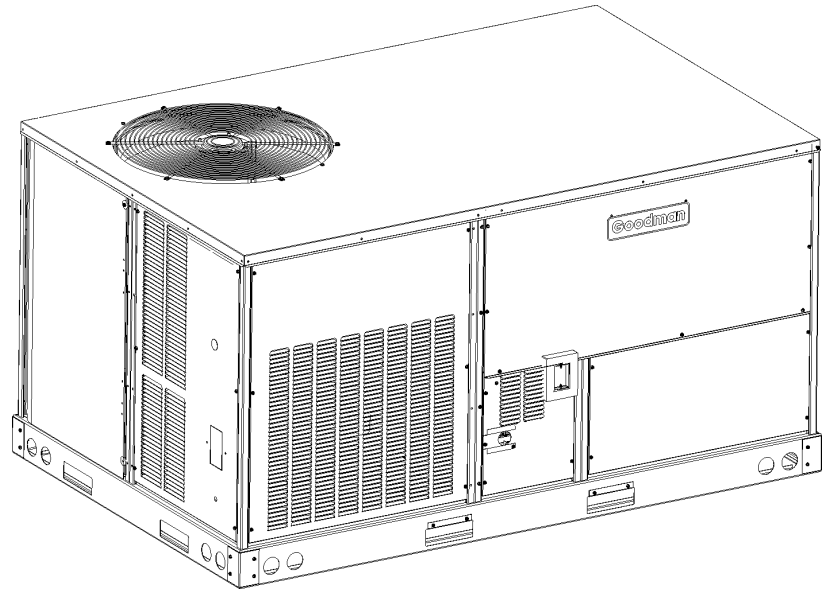


# REPAIR PARTS

---

## Commercial 5 Ton Package Gas

CPG0600903BAABBA  
CPG0600903BXXBBA  
CPG0600904BABMBA  
CPG0601403BASMBA  
CPG0601403BASXBA  
CPG0601403BHAXBA  
CPG0601403BXSBBBA  
CPG0601403HAAXBA  
CPG0601403HACMBA  
CPG0601403HHXGBA  
CPG0601404BAAXBA  
CPG0601407HAXXBA



This manual is to be used by qualified technicians only.

This manual replaces RP-682C.

© 2012,2016 Goodman Manufacturing Company, L.P. ♦ 5151 San Felipe St., Suite 500 ♦ Houston, TX 77056

# Important Information

---

## Index

Functional Parts List .....	3
Illustration and Parts .....	4 - 15

*Views shown are for parts illustrations only, not servicing procedures*

### Text Codes:

AR - As Required

NA - Not Available

NS - Not Shown

00000000 - See Note

QTY - Quantity Example (QTY 3) (If Quantity not shown, Quantity = 1)

M - Model Example (M1) (If M Code not shown, then part is used on all Models)

### Expanded Model Nomenclature:

Example M1 - Model#1 M2 - Model#2 M3 - Model#3
---

Goodman Manufacturing Company, L.P. is not responsible for personal injury or property damage resulting from improper service. Review all service information before beginning repairs.

Warranty service must be performed by an authorized technician, using authorized factory parts. If service is required after the warranty expires, Goodman Manufacturing Company, L.P. also recommends contacting an authorized technician and using authorized factory parts.

Goodman Manufacturing Company, L.P. reserves the right to discontinue, or change at any time, specifications or designs without notice or without incurring obligations.

For assistance within the U.S.A. contact:  
Consumer Affairs Department  
Goodman Manufacturing Company, L.P.  
7401 Security Way  
Houston, Texas 77040  
877-254-4729-Telephone  
713-863-2382-Facsimile

For assistance outside the U.S.A. contact:  
International Division  
Goodman Manufacturing Company, L.P.  
7401 Security Way  
Houston, Texas 77040  
713-861-2500-Telephone  
713-863-2382-Facsimile

# Functional Parts

**Part No:**            **Description:**

Part No:	Description:	Expanded Model Nomenclature
0130M00025	24V RELAY	M1 - CPG0600903BAABBA
0131L00003	BELT DRIVE MOTOR 1 HP (M1, M2, M3, M4, M5, M6, M7, M11)	M2 - CPG0600903BXXBBA
B3240007	BELT DRIVE MOTOR 1.5 HP (M8, M9, M10)	M3 - CPG0600904BABMBA
0131L00004	BELT DRIVE MOTOR 1.5 HP 575V (M12)	M4 - CPG0601403BASMBA
CAP050000370VA	CAPACITOR 5/370V	M5 - CPG0601403BASXBA
ZP51K5ETF5130	COMPRESSOR 51000, 208/230/60/3 (M1, M2, M4, M5, M6, M7, M8, M9, M10)	M6 - CPG0601403BHAXBA
ZP51K5ETFD130	COMPRESSOR 51000, 460/60/3 (M3, M11)	M7 - CPG0601403BXSBBBA
ZP51K5ETFE130	COMPRESSOR 51000, 575/60/3 (M12)	M8 - CPG0601403HAAXBA
0131M00007P	COND MOTOR 1/4 HP, 1 SP, 6 PL (M1, M2, M4, M5, M6, M7, M8, M9, M10)	M9 - CPG0601403HACMBA
B13400269	COND MOTOR 380/460 50/60 CYCLE (M3, M11)	M10 - CPG0601403HHXGBA
0131M00098	COND MOTOR 575V (M12)	M11 - CPG0601404BAAXBA
CONT3P025024V	CONTACTOR 25 AMP, 3P, 24V (M3, M11, M12)	M12 - CPG0601407HAXXBA
CONT3P030024V	CONTACTOR 30 AMP, 3P, 24V (M1, M2, M4, M5, M6, M7, M8, M9, M10)	
0130M00055	CUT-OUT SWITCH, HIGH PRESSURE	
0130L00007	CUT-OUT SWITCH, LOW PRESSURE	
0164L00010	FAN BELT, NOTCHED	
0164L00002	FAN BELT, NOTCHED (M8, M9, M10)	
0150G00001	FAN BLADE	
0130F00010	FLAME SENSOR	
0151F00000P	GAS VALVE - WHITE-RODGERS 2-STAGE	
PCBAG123	IGNITION BOARD, DSI INTEGRATED	
20261709	IGNITOR	
11112501	PRESSURE SWITCH	
20162903	PRIMARY LIMIT - BLUE (M1, M2, M3)	
0130F00035	PRIMARY LIMIT - PURPLE 220° (M4, M5, M6, M7, M8, M9, M10, M11, M12)	
20162905	PRIMARY LIMIT-YELLOW	
B1141643	TRANSFORMER 208/230, 24V (M1, M2, M4, M5, M6, M7, M8, M9, M10)	
B1141663	TRANSFORMER 460V TO 230V, 150 VA (M1, M2, M3, M4, M5, M6, M7, M8, M9, M10, M11)	
B1141653	TRANSFORMER 480V, 75VA, RESETTABLE (M3, M11)	
0130M00044	TRANSFORMER 575/230V (M12)	
0130M00045	TRANSFORMER 575/24V (M12)	

## SPECIAL PARTS

0160L00008            FILTER 14 X 20 X 2 (QTY 4)

# Top Panel/Tubing Assy

Image 1

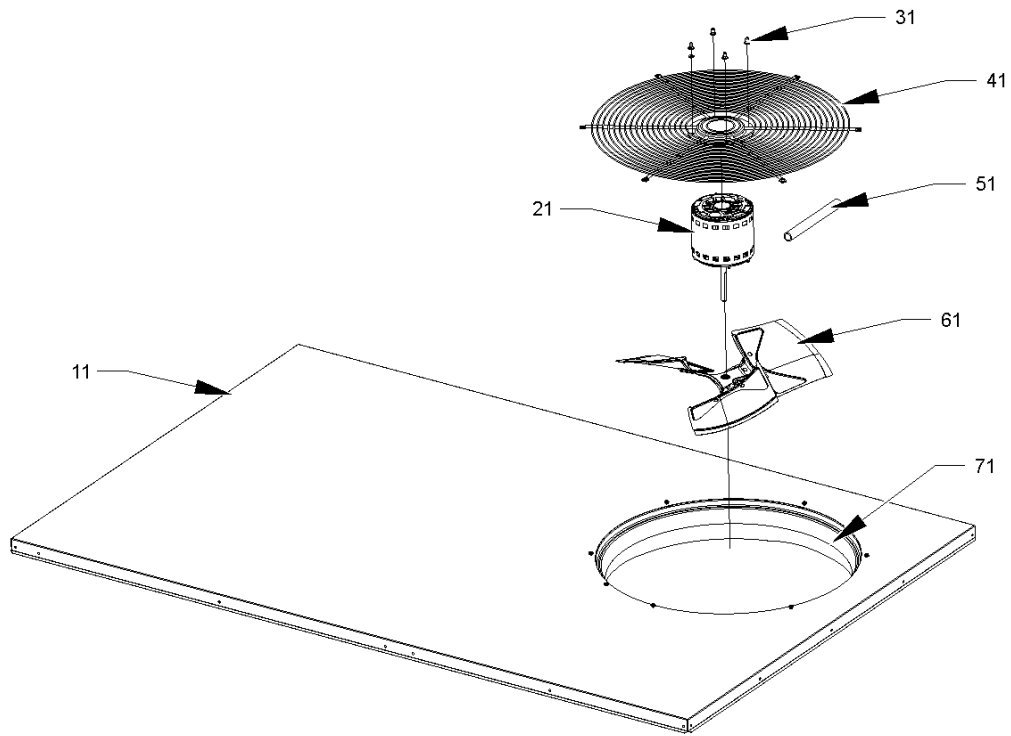
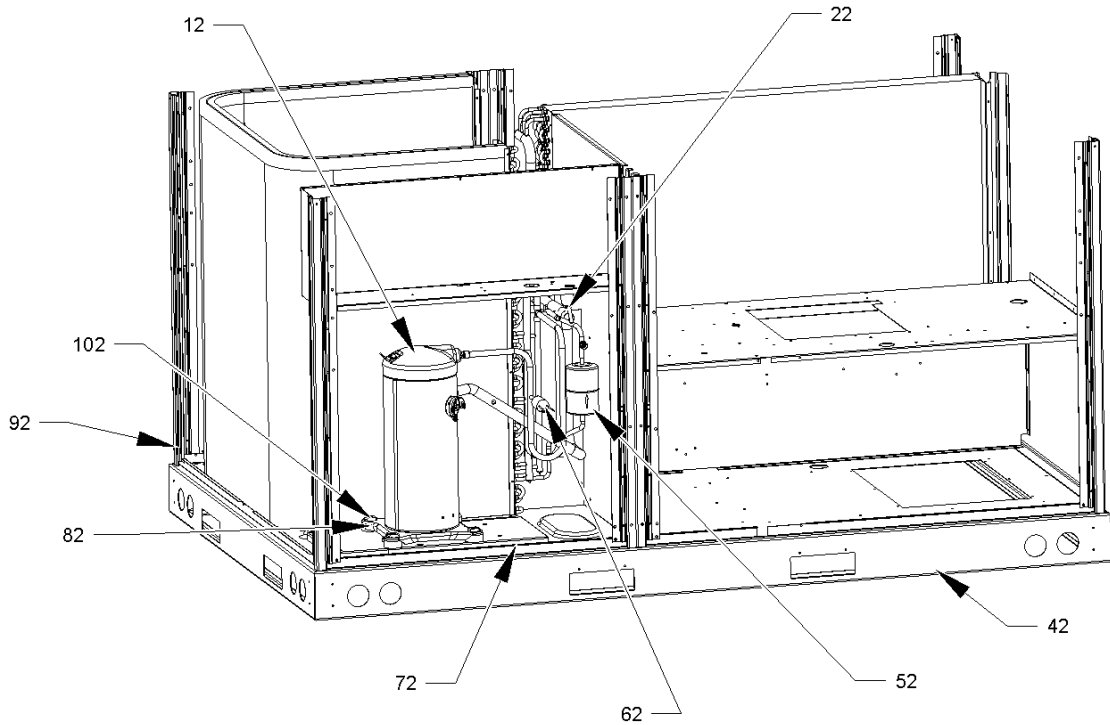


Image 2



# Top Panel/Tubing Assy

Ref. Part No: No:	Description:	Ref. Part No: No:	Description:
-------------------	--------------	-------------------	--------------

**Image 1:**

11	0270L00086	INSULATED ASSY, TOP PANEL
21	0131M0007P	COND MOTOR 1/4 HP, 1 SP, 6 PL (M1, M2, M4, M5, M6, M7, M8, M9, M10)
21	B13400269	COND MOTOR 380/460 50/60 CYCLE (M3, M11)
21	0131M00098	COND MOTOR 575V (M12)
31	0163M00006P	ACORN NUT 5/16 HEX BLACK (QTY 4)
41	0152G00003	FAN GRILLE
51	17788000083F	PVC CONDUIT 8.25"
61	0150G00001	FAN BLADE
71	0161L00000	VENTURI RING 22"

**Image 2:**

12	ZP51K5ETF5130	COMPRESSOR 51000, 208/230/60/3 (M1, M2, M4, M5, M6, M7, M8, M9, M10)
12	ZP51K5ETFD130	COMPRESSOR 51000, 460/60/3 (M3, M11)
12	ZP51K5ETFE130	COMPRESSOR 51000, 575/60/3 (M12)
22	0130L00007	CUT-OUT SWITCH, LOW PRESSURE
42	0121L00244RF	SIDE RAIL (QTY 2)
52	0162R00009	FILTER DRIER
62	0130M00055	CUT-OUT SWITCH, HIGH PRESSURE
72	0121L00310	COMPRESSOR MOUNTING PLATE
82	B1339533	COMPRESSOR GROMMET (QTY 4)
92	0121L00245	END RAIL (QTY 2)
102	M0221641	TF SHOULDER SCREW (QTY 4)
NS	0159L00028	COMPRESSOR SCROLL HARNESS

**Expanded Model Nomenclature**

M1 - CPG0600903BAABBA
M2 - CPG0600903BXXBBA
M3 - CPG0600904BABMBA
M4 - CPG0601403BASMBA
M5 - CPG0601403BASXBA
M6 - CPG0601403BHAXBA
M7 - CPG0601403BXSBBBA
M8 - CPG0601403HAAXBA
M9 - CPG0601403HACMBA
M10 - CPG0601403HHXGBA
M11 - CPG0601404BAAXBA
M12 - CPG0601407HAXXBA

# Cabinet Assy

Image 1

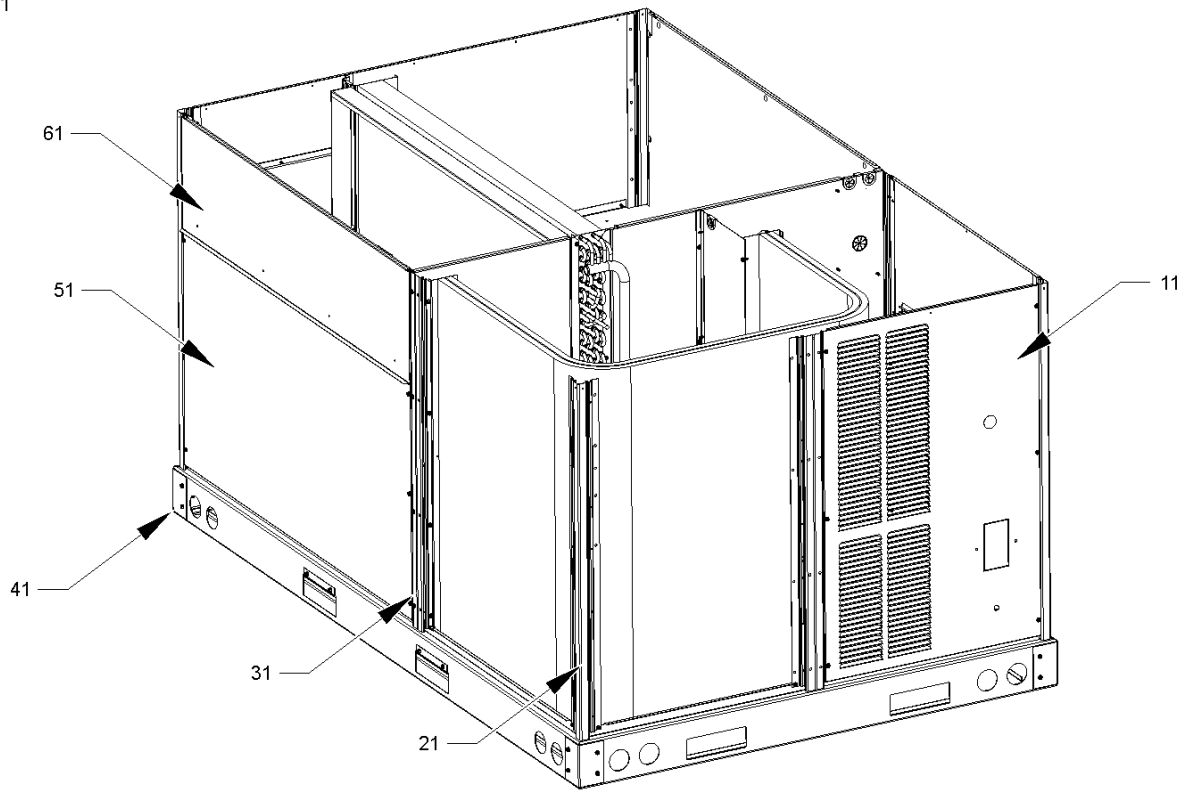
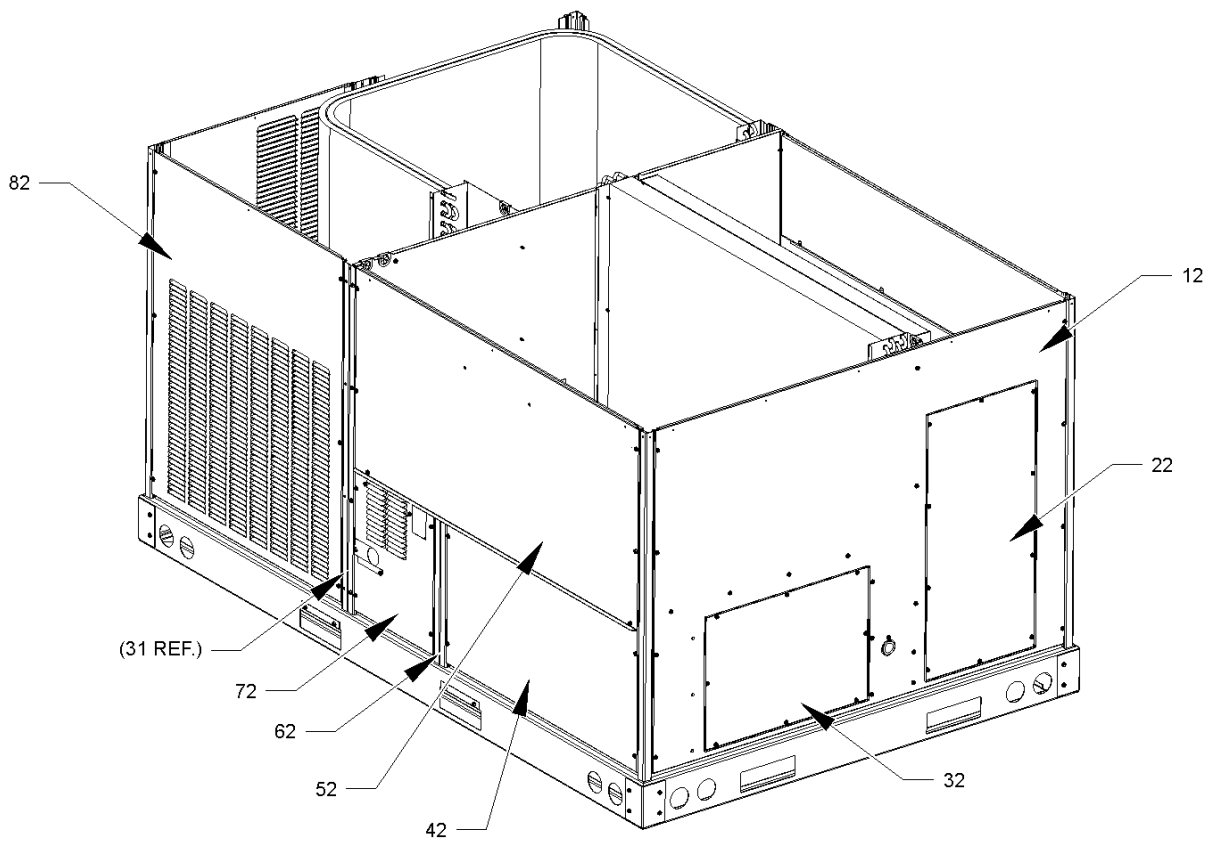


Image 2



# Cabinet Assy

Ref. Part No: No:	Description:	Ref. Part No: No:	Description:
-------------------	--------------	-------------------	--------------

---

## Image 1:

11	0121L00263DG	LOUVERED COMPRESSOR PANEL
21	0121L00237RFDG	CORNER POST (QTY 4)
31	0121L00233RFDG	POST-SIDE SUPPORT (QTY 3)
41	0121G00301	RAIL CORNER BRACKET (QTY 4)
51	0270L00081	INSULATED ASSY, ECONOMIZER DOOR
61	0270L00080	INSULATED ASSY, FILTER DOOR
NS	0160L00008	FILTER 14 X 20 X 2 (QTY 4)

## Image 2:

12	0270L00079	INSULATED ASSY, DUCT PANEL
22	0270L00011	INSULATED ASSY, RETURN DUCT
32	0270L00012	INSULATED ASSY, SUPPLY DUCT
42	0270L00083	INSULATED ASSY, HEAT EXCHANGER DOOR
52	0270L00084	INSULATED ASSY, BLOWER DOOR
62	0121L00255RFDG	POST-BURNER DOOR
72	0121L00706DG	BURNER DOOR
82	0121L00262DG	LOUVERED CONTROL PANEL
NS	0121L00295DG	FLUE COLLAR
NS	0121L00689	RAIN SHIELD-DOOR
NS	0121L00321	SMOKE DETECTOR COVER

## Expanded Model Nomenclature

- M1 - CPG0600903BAABBA
- M2 - CPG0600903BXXBBA
- M3 - CPG0600904BABMBA
- M4 - CPG0601403BASMBA
- M5 - CPG0601403BASXBA
- M6 - CPG0601403BHAXBA
- M7 - CPG0601403BXSBBBA
- M8 - CPG0601403HAAXBA
- M9 - CPG0601403HACMBA
- M10 - CPG0601403HHXGBA
- M11 - CPG0601404BAAXBA
- M12 - CPG0601407HAXXBA

# Partition Assy

Image 1

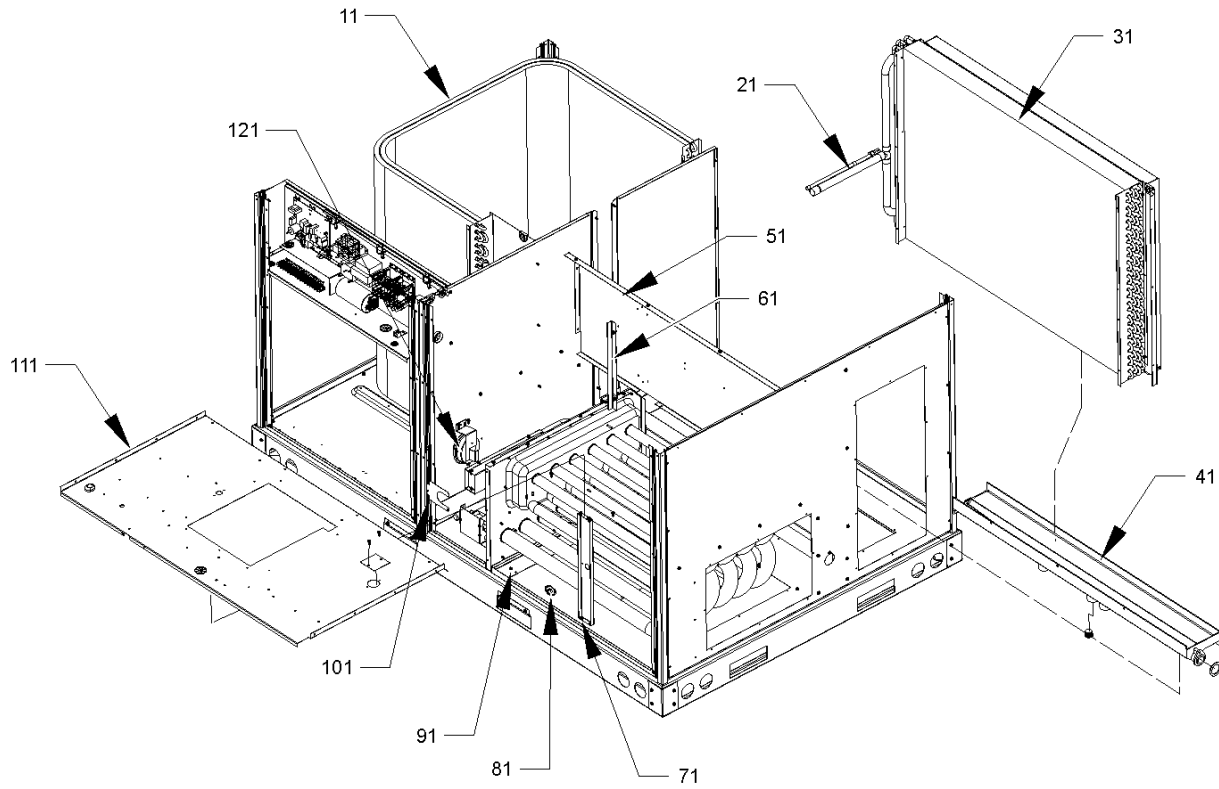
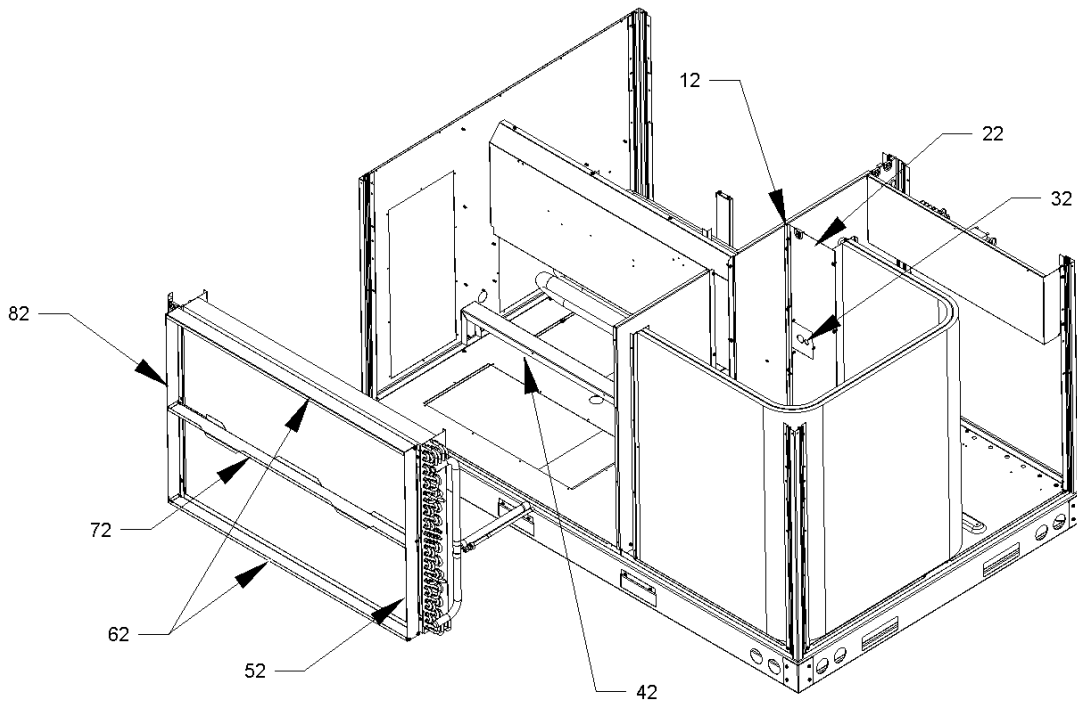


Image 2



# Partition Assy

Ref. Part No: No:	Description:	Ref. Part No: No:	Description:
-------------------	--------------	-------------------	--------------

**Image 1:**

11	0201L00034	TUBING ASSY, COND COIL (M1, M2, M4, M5, M6, M7, M8, M9, M10, M11, M12)
11	0201L00041	TUBING ASSY, COND COIL (M3)
21	0162L00012	FLOWRATOR [EVAP]
31	0202L00020	TUBING ASSY, EVAP COIL
41	0161L00005	DRAIN PAN
51	0121L00243	DECK SIDE CHANNEL
61	0121L00293	BACK ANGLE-HEAT EXCHANGER (QTY 2)
71	0121L00300	SUPPORT POST-DECK
81	20162903	PRIMARY LIMIT - BLUE (M1, M2, M3)
81	0130F00035	PRIMARY LIMIT - PURPLE 220° (M4, M5, M6, M7, M8, M9, M10, M11, M12)
91	0121L00266	HEAT PANEL CHANNEL (QTY 2)
101	0121L00299DG	GAS VALVE BRACKET
111	0121L00981	DECK BLOWER
121	11112501	PRESSURE SWITCH
NS	A3468602	PRESSURE SWITCH HOSE

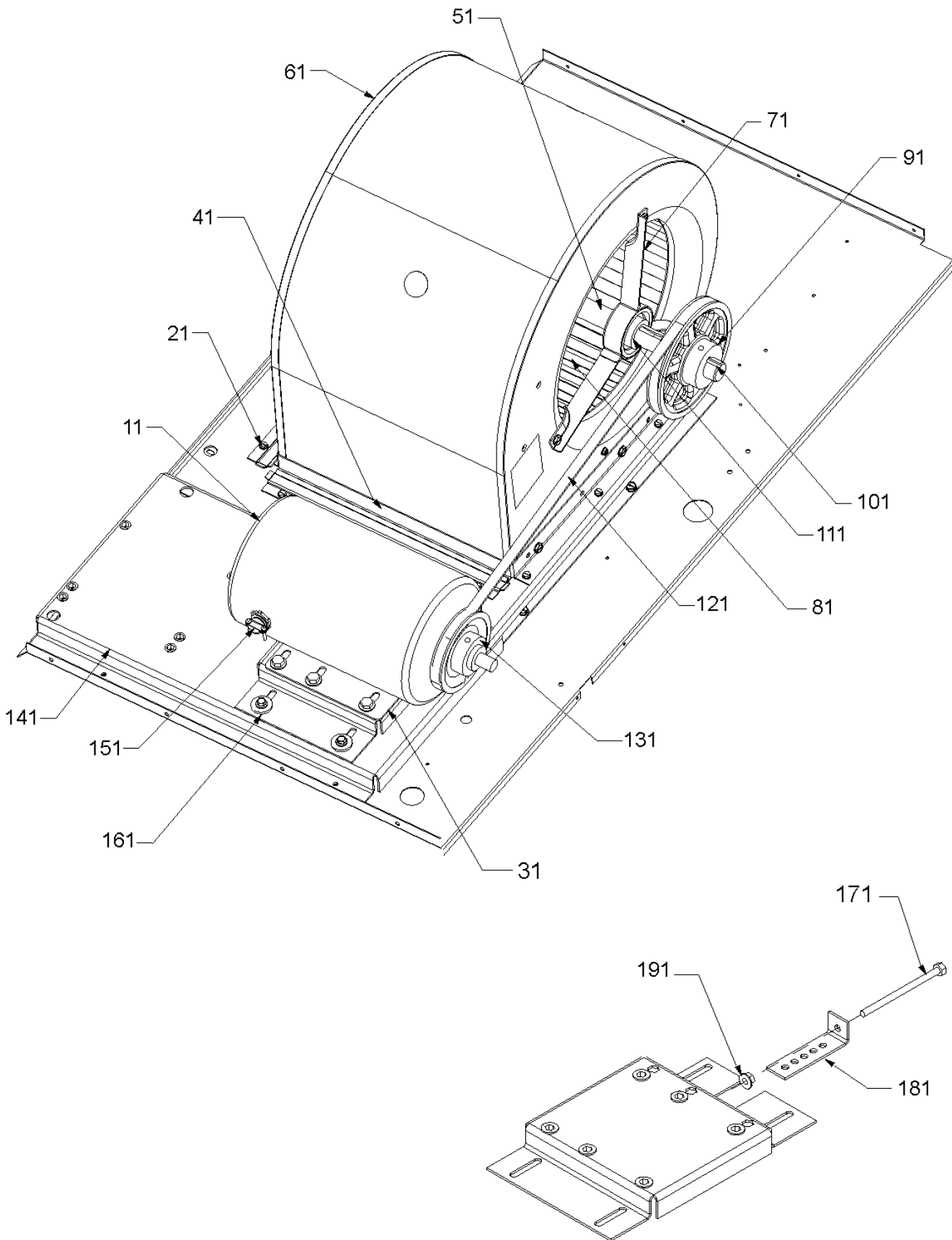
**Image 2:**

12	0121L00254	COND MOUNTING ANGLE
22	0121L00311	COND BLOCK-OFF
32	0121L00324	COND BLOCK-OFF PLATE
42	0121L00238	DRAIN PAN SUPPORT
52	0121L00287	FILTER ANGLE-VERTICAL (RETURN SIDE)
62	0121L00932	FILTER ANGLE-HORIZONTAL (QTY 2)
72	0121L00298	FILTER ANGLE-HORIZONTAL (CENTER)
82	0121L00303	FILTER ANGLE-VERTICAL (HAIRPIN SIDE)

**Expanded Model Nomenclature**

M1 - CPG0600903BAABBA
M2 - CPG0600903BXXBBA
M3 - CPG0600904BABMBA
M4 - CPG0601403BASMBA
M5 - CPG0601403BASXBA
M6 - CPG0601403BHAXBA
M7 - CPG0601403BXSBBBA
M8 - CPG0601403HAAXBA
M9 - CPG0601403HACMBA
M10 - CPG0601403HHXGBA
M11 - CPG0601404BAAXBA
M12 - CPG0601407HAXXBA

# Belt Drive Assy



# Belt Drive Assy

Ref. Part No:	No:	Description:	Ref. Part No:	No:	Description:
<i>Image 1:</i>					
11	0131L00003	BELT DRIVE MOTOR 1 HP (M1, M2, M3, M4, M5, M6, M7, M11)			
11	B3240007	BELT DRIVE MOTOR 1.5 HP (M8, M9, M10)			
11	0131L00004	BELT DRIVE MOTOR 1.5 HP 575V (M12)			
21	0121L00297	BLOWER SIDE ANGLE (QTY 3)			
31	0121L00899	MOTOR BASE			
41	0121L00281	BLOWER MOUNTING ANGLE			
51	0163L00005	BELT DRIVE BLOWER SHAFT			
61	2539302F	BLOWER HOUSING 11 X 10			
71	B3201300	MOUNTING BRACKET BEARING (QTY 2)			
81	B1368056	BELT DRIVE BLOWER WHEEL			
91	B3204303	FIXED SHEAVE AK61			
101	B1398604	STEEL KEY (000158812) 2.0"			
111	B1399500	BALL BEARING 1.00" (QTY 2)			
121	0164L00002	FAN BELT, NOTCHED (M8, M9, M10)			
121	0164L00010	FAN BELT, NOTCHED			
131	0163L00061	SHEAVE, ADJUSTABLE (M12)			
131	B2120001	VARIABLE PITCH SHEAVE 1VL44 X 3/8"			
131	B2120013	VARIABLE PITCH SHEAVE 1VP50 (M8, M9, M10)			
141	0121L00966	SUPPORT BLOWER PLATE			
151	B1393726	ELECT. CONNECTING BUSHING			
161	B1393738	BOLT 1/4-20 X 3/4" (QTY 5)			
171	0163M00045	BOLT 1/4-20 X 4"			
181	3225000F	BELT TIGHTENER ANGLE			
191	B1393023	NUT / LOCK .25-20			
NS	1864703F	BLOWER CUT-OFF			
NS	20162905	PRIMARY LIMIT-YELLOW			
NS	B1398603	STEEL KEY (000158812) 4.5"			

## Expanded Model Nomenclature

M1 - CPG0600903BAABBA
M2 - CPG0600903BXXBBA
M3 - CPG0600904BABMBA
M4 - CPG0601403BASMBA
M5 - CPG0601403BASXBA
M6 - CPG0601403BHAXBA
M7 - CPG0601403BXSBBBA
M8 - CPG0601403HAAXBA
M9 - CPG0601403HACMBA
M10 - CPG0601403HHXGBA
M11 - CPG0601404BAAXBA
M12 - CPG0601407HAXXBA

# Heat Exchanger and Control Panel Assy

Image 1

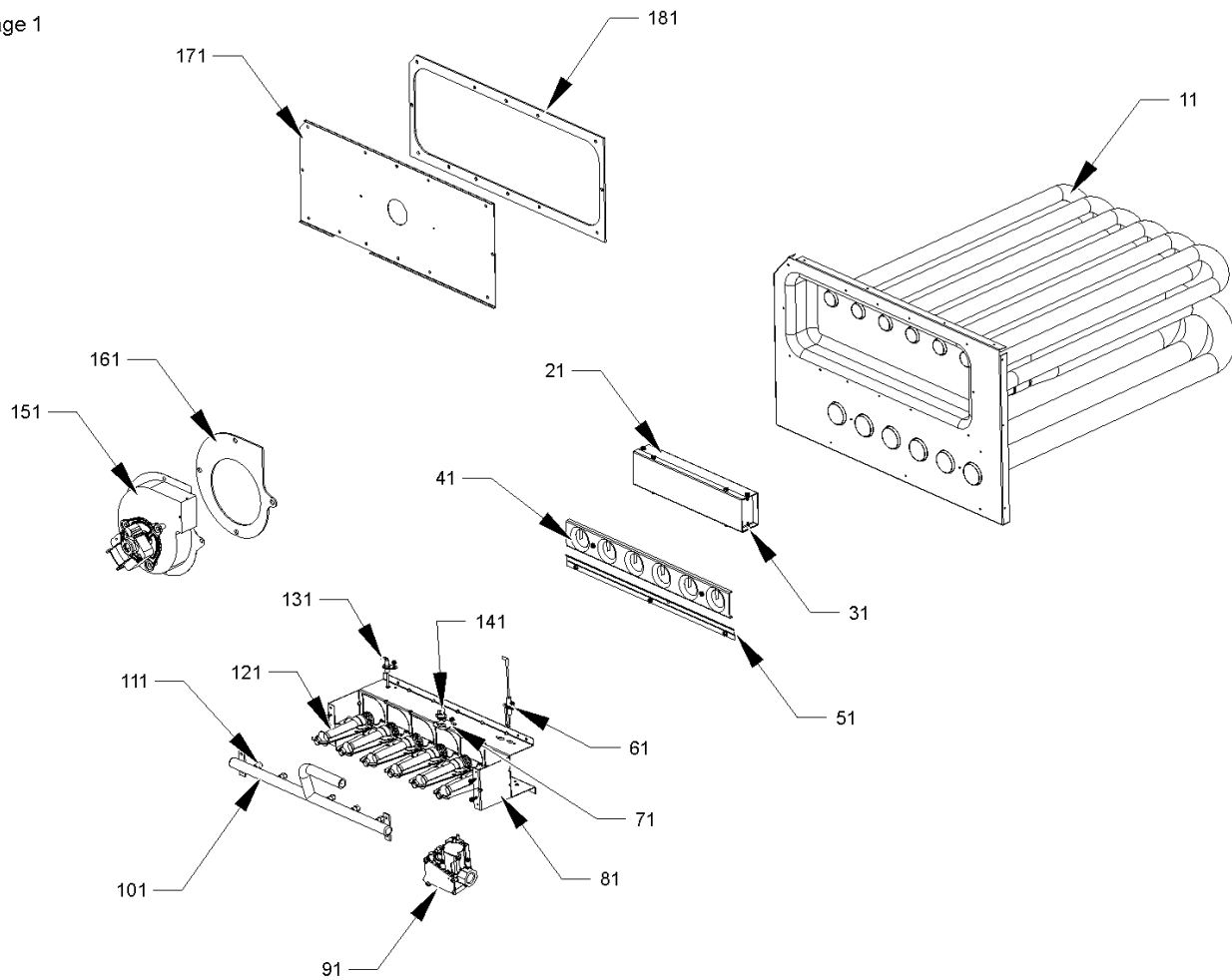
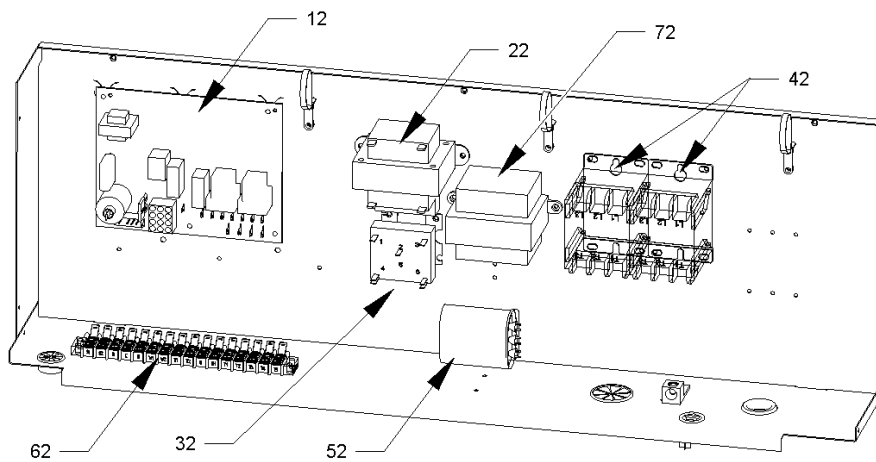


Image 2



# Heat Exchanger and Control Panel Assy

Ref. Part No: No:	Description:	Ref. Part No: No:	Description:
<b>Image 1:</b>		<b>Expanded Model Nomenclature</b>	
11	0270L00092	PART/TUBE ASSY 4B (M1, M2, M3)	M1 - CPG0600903BAABBA
11	0270L00072	PART/TUBE ASSY 6B (M6, M8, M10, M11, M12)	M2 - CPG0600903BXXBBA
11	0270L00104	PART/TUBE ASSY 6B (M4, M5, M7, M9)	M3 - CPG0600904BABMBA
21	0121L00277	FLUE CHANNEL	M4 - CPG0601403BASMBA
31	0121L00278	FLUE SIDE COVER	M5 - CPG0601403BASXBA
41	11072203	ORIFICE SHIELD (M1, M2, M3)	M6 - CPG0601403BHAXBA
41	11072205	ORIFICE SHIELD (M4, M5, M6, M7, M8, M9, M10, M11, M12)	M7 - CPG0601403BXSBBBA
51	0121L00267	BURNER SLIDE BRACKET	M8 - CPG0601403HAAXBA
61	20261709	IGNITOR	M9 - CPG0601403HACMBA
71	0121L00053	FLAME ROLLOUT BRACKET	M10 - CPG0601403HHXGBA
81	20190412	BURNER BRACKET 4B (M1, M2, M3)	M11 - CPG0601404BAAXBBA
81	0121F00145	BURNER BRACKET 6B (M4, M5, M6, M7, M8, M9, M10, M11, M12)	M12 - CPG0601407HAXXBA
91	0151F00000P	GAS VALVE - WHITE-RODGERS 2-STAGE	
101	0270L00093	MANIFOLD ASSEMBLY-4 BURNER (M1, M2, M3)	
101	0270L00090	MANIFOLD ASSEMBLY-6 BURNER (M4, M5, M6, M7, M8, M9, M10, M11, M12)	
111	10716003	ORIFICE (QTY 4)	
121	10735102	BECKETT BURNER (QTY 4)	
131	0130F00010	FLAME SENSOR	
141	10123532	MANUAL RESET LIMIT 350°F	
151	0131M00121	ID COMBUSTION BLOWER	
161	0154L00020	ID BLOWER GASKET	
171	0121L00241	ID BLOWER PLATE (M4, M5, M6, M7, M8, M9, M10, M11, M12)	
171	0121L00284	ID BLOWER PLATE 4 BRNR (M1, M2, M3)	
181	0154L00018	ID BLOWER PLATE GASKET 4 BRNR (M1, M2, M3)	
181	0154L00017	ID BLOWER PLATE GASKET 6 BRNR (M4, M5, M6, M7, M8, M9, M10, M11, M12)	
NS	0163L00072	SCREEN-FLUE	
<b>Image 2:</b>			
12	PCBAG123	IGNITION BOARD, DSI INTEGRATED	
22	B1141643	TRANSFORMER 208/230, 24V (M1, M2, M4, M5, M6, M7, M8, M9, M10)	
22	B1141653	TRANSFORMER 480V, 75VA, RESETTABLE (M3, M11)	
22	0130M00045	TRANSFORMER 575/24V (M12)	
32	0130M00025	24V RELAY	
42	CONT3P025024V	CONTACTOR 25 AMP, 3P, 24V (M3, M11, M12)	
42	CONT3P030024V	CONTACTOR 30 AMP, 3P, 24V (M1, M2, M4, M5, M6, M7, M8, M9, M10)	
52	CAP050000370VA	CAPACITOR 5/370V	
62	0130M00038	TERMINAL BOARD	
72	B1141663	TRANSFORMER 460V TO 230V, 150 VA (M1, M2, M3, M4, M5, M6, M7, M8, M9, M10, M11)	
72	0130M00044	TRANSFORMER 575/230V (M12)	
NS	0259L00067	12-PIN MALE PLUG ASSY	
NS	20520901	CAPACITOR STRAP	
NS	0259L00074	CONTROL HARNESS (M1, M2, M4, M5, M6, M7, M8, M9, M10)	
NS	0259L00075	CONTROL HARNESS (M3, M11, M12)	
NS	0259L00054	WIRING HARNESS (M1, M2, M4, M5, M6, M7, M8, M9, M10, M12)	
NS	0259L00060	WIRING HARNESS (M3, M11)	
NS	0259L00065	WIRING HARNESS	
NS	0259L00068	WIRING HARNESS	
NS	0259L00069	WIRING HARNESS	

# ACCESSORY PARTS LIST

# ACCESSORY PARTS

Ref. Part No:	No:	Description:	Ref. Part No:	No:	Description:
<i>Image 1:</i>					
NS	0130M00065	CIRCUIT BREAKER, CONVENIENCE OUTLET (M1, M2, M3, M4, M7, M9)			
NS	0270L00107	CONVENIENCE OUTLET ASSEMBLY (M1, M2, M3, M4, M7, M9, M10)			
NS	DSC060A38Y001FI	DISCONNECT MODULE ASSY (M6, M10)			
NS	DNECONGS3672B	ECONOMIZER, DOWNFLOW GAS/AC (M1, M3, M4, M5, M8, M9, M11, M12)			
NS	HAILGD03FI	HAIL GUARD ASSEMBLY (M1, M3, M6, M8, M9, M11)			
NS	LAKT01	LOW AMBIENT KIT (M3, M4, M9)			
NS	SDRKT01FI5	SMOKE DETECTOR ASSEMBLY (M10)			
NS	0130M00061	TRANSFORMER, CONVENIENCE OUTLET (M1, M2, M3, M4, M7, M9)			

## Expanded Model Nomenclature

- M1 - CPG0600903BAABBA
- M2 - CPG0600903BXXBBA
- M3 - CPG0600904BABMBA
- M4 - CPG0601403BASMBA
- M5 - CPG0601403BASXBA
- M6 - CPG0601403BHAXBA
- M7 - CPG0601403BXSBBBA
- M8 - CPG0601403HAAXBA
- M9 - CPG0601403HACMBA
- M10 - CPG0601403HHXGBA
- M11 - CPG0601404BAAXBA
- M12 - CPG0601407HAXXBA