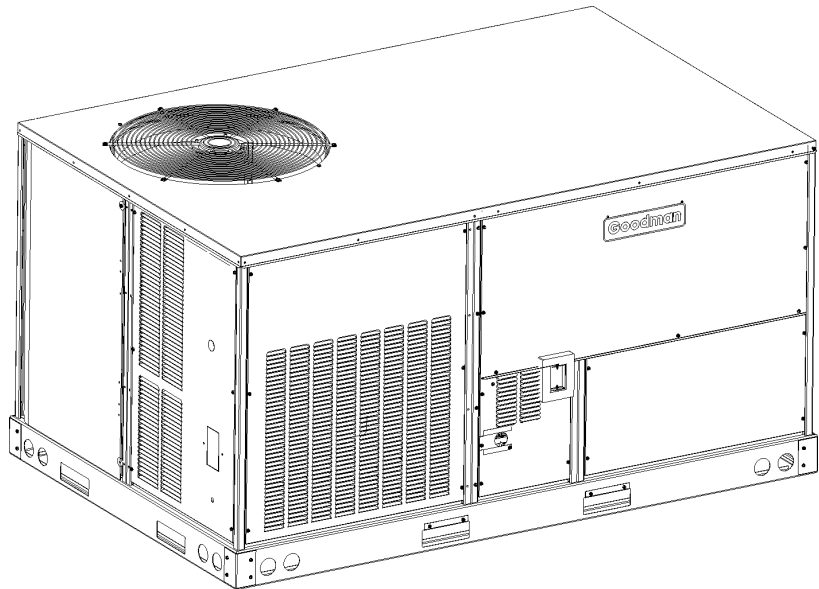


REPAIR PARTS

Commercial 5 Ton Package Gas

CPG0600903BAABCA
CPG0600903BXJXCA
CPG0600903BXSXCA
CPG0600904BABMCA
CPG0600904BHXUCA
CPG0600904BXABCA
CPG0600904BXJXCA
CPG0600904BXSXCA
CPG0600904BXXECA
CPG0601403BASXCA
CPG0601403BHXJCA
CPG0601403BXJXCA
CPG0601403BXSXCA
CPG0601403BXXBCA
CPG0601403HAACCA
CPG0601403HAAXCA
CPG0601404BXJXCA
CPG0601404BXSXCA
CPG0601404BXTXCA



This manual is to be used by qualified technicians only.

This manual replaces RP-766C.

© 2012-2013, 2016 Goodman Manufacturing Company, L.P. ♦ 5151 San Felipe St., Suite 500 ♦ Houston, TX 77056

Important Information

Index

Functional Parts List	3
Illustration and Parts	4 - 15

Views shown are for parts illustrations only, not servicing procedures

Text Codes:

AR - As Required

NA - Not Available

NS - Not Shown

00000000 - See Note

QTY - Quantity Example (QTY 3) (If Quantity not shown, Quantity = 1)

M - Model Example (M1) (If M Code not shown, then part is used on all Models)

Expanded Model Nomenclature:

Example M1 - Model#1 M2 - Model#2 M3 - Model#3

Goodman Manufacturing Company, L.P. is not responsible for personal injury or property damage resulting from improper service. Review all service information before beginning repairs.

Warranty service must be performed by an authorized technician, using authorized factory parts. If service is required after the warranty expires, Goodman Manufacturing Company, L.P. also recommends contacting an authorized technician and using authorized factory parts.

Goodman Manufacturing Company, L.P. reserves the right to discontinue, or change at any time, specifications or designs without notice or without incurring obligations.

For assistance within the U.S.A. contact:
Consumer Affairs Department
Goodman Manufacturing Company, L.P.
7401 Security Way
Houston, Texas 77040
877-254-4729-Telephone
713-863-2382-Facsimile

For assistance outside the U.S.A. contact:
International Division
Goodman Manufacturing Company, L.P.
7401 Security Way
Houston, Texas 77040
713-861-2500-Telephone
713-863-2382-Facsimile

Functional Parts

Part

No: Description:

0130M00025	24V RELAY
B1368056	BELT DRIVE BLOWER WHEEL
0131L00003	BELT DRIVE MOTOR 1 HP
CAP050000370VA	CAPACITOR 5/370V
ZP51K5ETF5130	COMPRESSOR 51000, 208/230/60/3 (M1, M2, M3, M10, M11, M12, M13, M14, M15, M16)
ZP51K5ETFD830	COMPRESSOR 51000, 460/60/3 (M4, M5, M6, M7, M8, M9, M17, M18, M19)
0131M00429	COND MOTOR 1/4 HP, 1 SP,6 PL (M1, M2, M3, M10, M11, M12, M13, M14, M15, M16)
B13400269	COND MOTOR 380/460 50/60 CYCLE (M4, M5, M6, M7, M8, M9, M17, M18, M19)
CONT3P025024V	CONTACTOR 25 AMP, 3P, 24V (M4, M5, M6, M7, M8, M9, M17, M18, M19)
CONT3P030024V	CONTACTOR 30 AMP, 3P, 24V (M1, M2, M3, M10, M11, M12, M13, M14, M15, M16)
0130M00074	CUT-OUT SWITCH, HIGH PRESSURE
0130M00087	CUT-OUT SWITCH, LOW PRESSURE
0164L00010	FAN BELT, NOTCHED
0150G00001	FAN BLADE
0130F00010	FLAME SENSOR
0151F00000P	GAS VALVE - WHITE-RODGERS 2-STAGE
PCBAG123	IGNITION BOARD, DSI INTEGRATED
20261709	IGNITOR
10123532	MANUAL RESET LIMIT 350°F
11112501	PRESSURE SWITCH
20162903	PRIMARY LIMIT - BLUE (M1, M2, M3, M4, M5, M6, M7, M8, M9)
0130F00035	PRIMARY LIMIT - PURPLE 220° (M10, M11, M12, M13, M14, M15, M16, M17, M18, M19)
20162905	PRIMARY LIMIT-YELLOW
0130M00038	TERMINAL BOARD
0130M00138	TRANSFORMER 208/230, 24V (M1, M2, M3, M10, M11, M12, M13, M14, M15, M16)
B1141663	TRANSFORMER 460V TO 230V, 150 VA (M4, M5, M6, M7, M8, M9, M17, M18, M19)
0130M00145	TRANSFORMER 480V to 24V, 75VA (M4, M5, M6, M7, M8, M9, M17, M18, M19)
0130M00061	TRANSFORMER, CONVENIENCE OUTLET (M1, M4, M6, M14)

Expanded Model Nomenclature

M1 - CPG0600903BAABCA
M2 - CPG0600903BXJXCA
M3 - CPG0600903BXSXCA
M4 - CPG0600904BABMCA
M5 - CPG0600904BHXUCA
M6 - CPG0600904BXABCA
M7 - CPG0600904BXJXCA
M8 - CPG0600904BXSXCA
M9 - CPG0600904BXXECA
M10 - CPG0601403BASXCA
M11 - CPG0601403BHXJCA
M12 - CPG0601403BXJXCA
M13 - CPG0601403BXSXCA
M14 - CPG0601403BXXBCA
M15 - CPG0601403HAACCA
M16 - CPG0601403HAAXCA
M17 - CPG0601404BXJXCA
M18 - CPG0601404BXSXCA
M19 - CPG0601404BXTXCA

Top Panel/Tubing Assy

Image 1

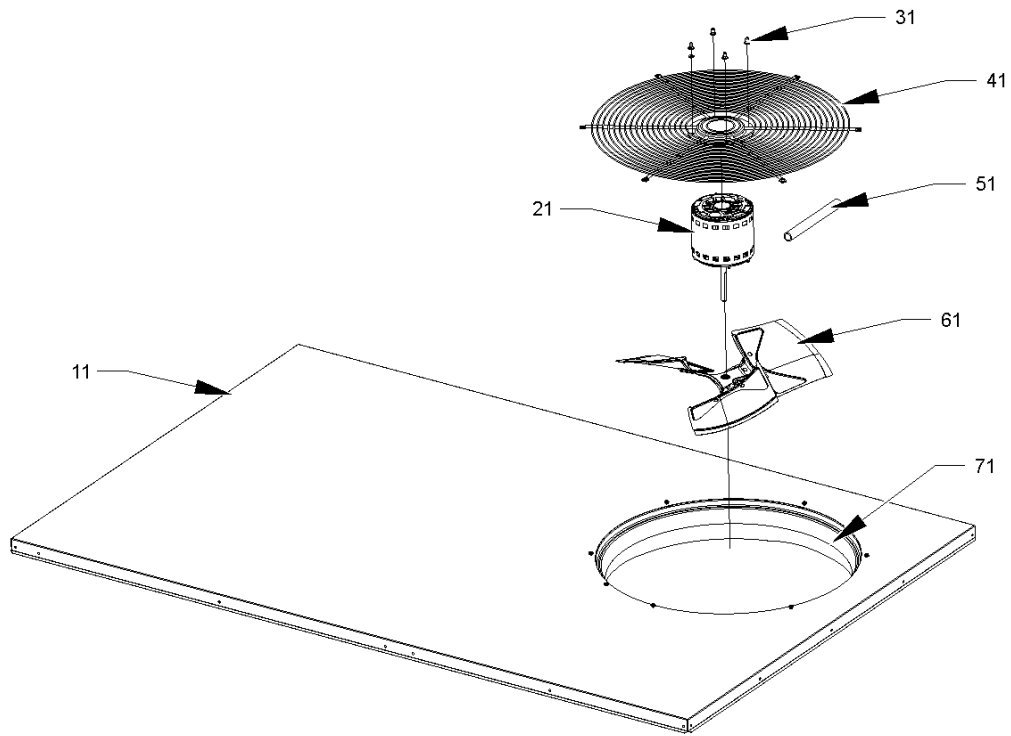
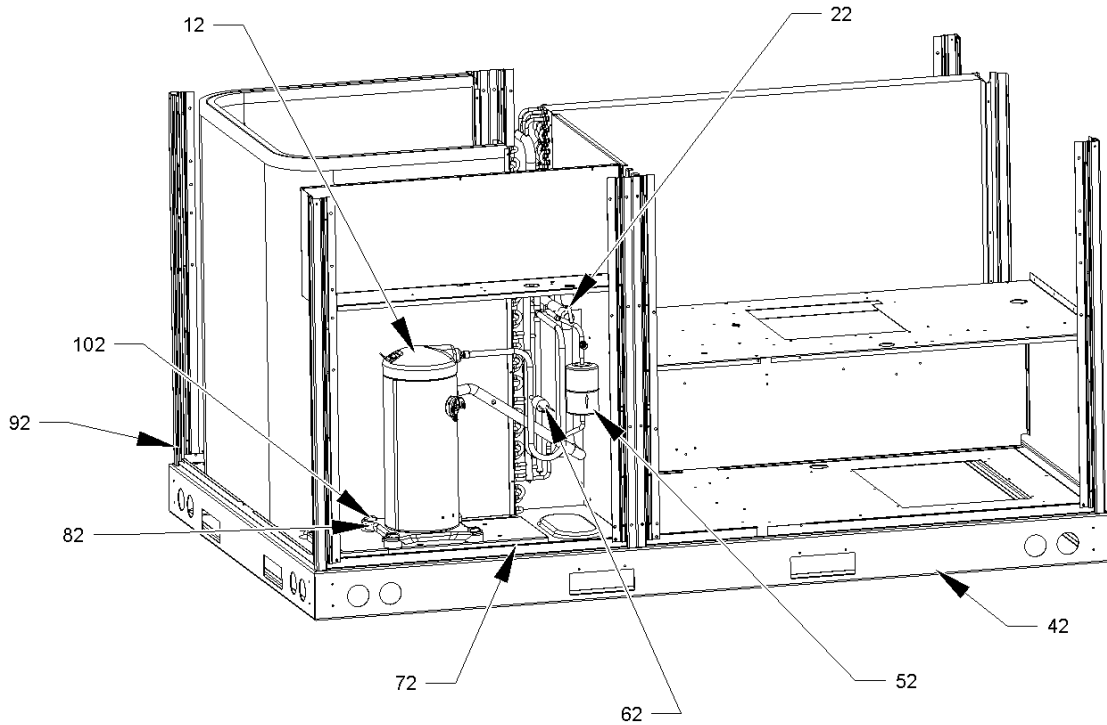


Image 2



Top Panel/Tubing Assy

Ref. Part No: No:	Description:	Ref. Part No: No:	Description:
-------------------	--------------	-------------------	--------------

Image 1:

11	0121L00235DG	TOP PANEL
21	0131M00429	COND MOTOR 1/4 HP, 1 SP,6 PL (M1, M2, M3, M10, M11, M12, M13, M14, M15, M16)
21	B13400269	COND MOTOR 380/460 50/60 CYCLE (M4, M5, M6, M7, M8, M9, M17, M18, M19)
31	0163M00006P	ACORN NUT 5/16 HEX BLACK (QTY 4)
41	0152G00003	FAN GRILLE
51	17788000083F	PVC CONDUIT 8.25"
61	0150G00001	FAN BLADE
71	0161L00000	VENTURI RING 22"

Image 2:

12	ZP51K5ETF5130	COMPRESSOR 51000, 208/230/60/3 (M1, M2, M3, M10, M11, M12, M13, M14, M15, M16)
12	ZP51K5ETFD830	COMPRESSOR 51000, 460/60/3 (M4, M5, M6, M7, M8, M9, M17, M18, M19)
22	0130M00087	CUT-OUT SWITCH, LOW PRESSURE
42	0121L00244RF	SIDE RAIL (QTY 2)
52	0162R00009	FILTER DRIER
62	0130M00074	CUT-OUT SWITCH, HIGH PRESSURE
72	0121L00310	COMPRESSOR MOUNTING PLATE
82	B1339533	COMPRESSOR GROMMET (QTY 4)
92	0121L00245	END RAIL (QTY 2)
102	M0221641	TF SHOULDER SCREW (QTY 4)
NS	0159L00028	COMPRESSOR SCROLL HARNESS

Expanded Model Nomenclature

M1 - CPG0600903BAABCA
M2 - CPG0600903BXJXCA
M3 - CPG0600903BXSXCA
M4 - CPG0600904BABMCA
M5 - CPG0600904BHXUCA
M6 - CPG0600904BXABCA
M7 - CPG0600904BXJXCA
M8 - CPG0600904BXSXCA
M9 - CPG0600904BXXECA
M10 - CPG0601403BASXCA
M11 - CPG0601403BHXJCA
M12 - CPG0601403BXJXCA
M13 - CPG0601403BXSXCA
M14 - CPG0601403BXXBCA
M15 - CPG0601403HAACCA
M16 - CPG0601403HAAXCA
M17 - CPG0601404BXJXCA
M18 - CPG0601404BXSXCA
M19 - CPG0601404BXTXCA

Cabinet Assy

Image 1

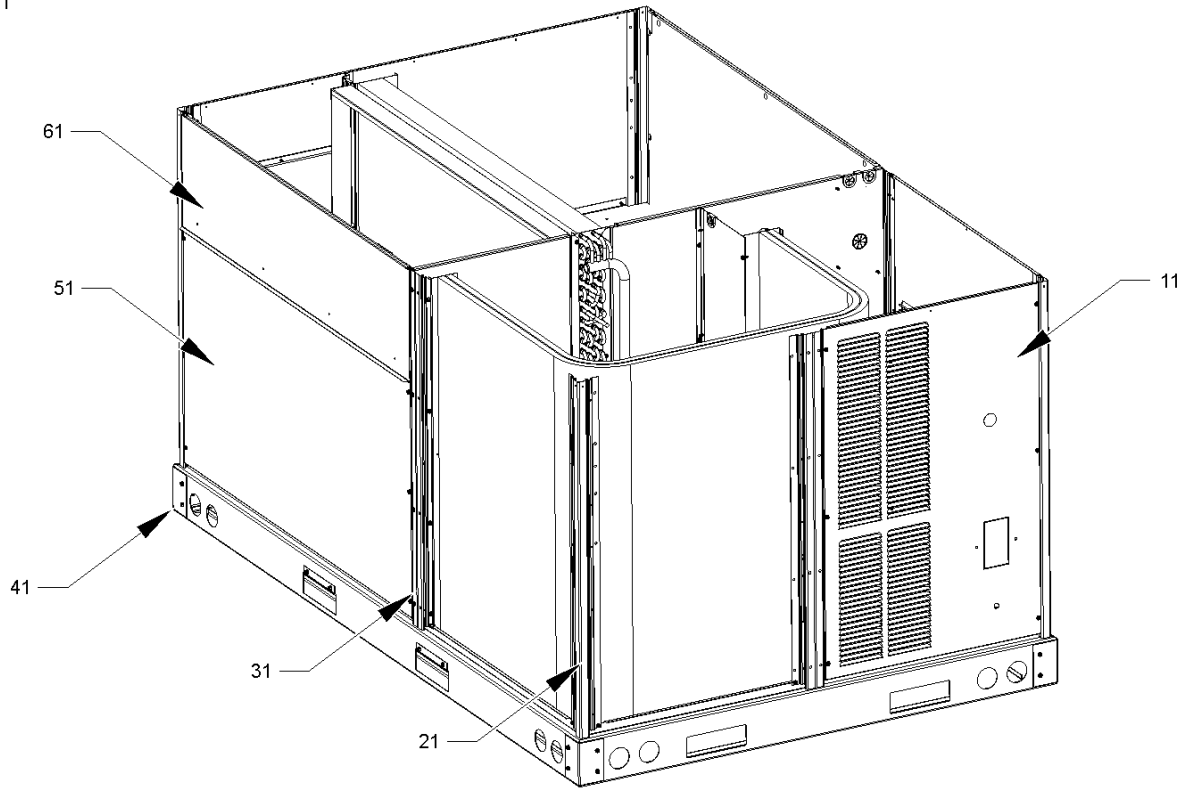
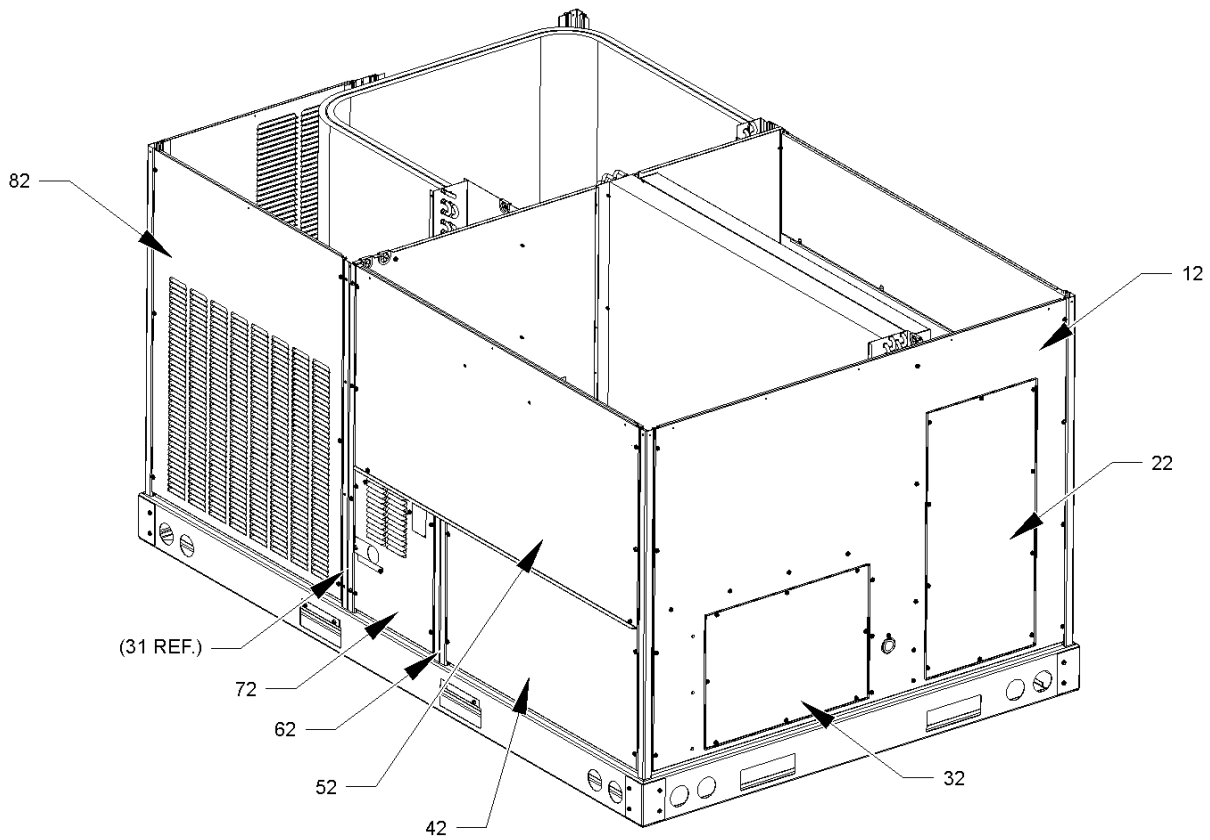


Image 2



Cabinet Assy

Ref. Part No: No:	Description:	Ref. Part No: No:	Description:
-------------------	--------------	-------------------	--------------

Image 1:

11	0121L00263DG	LOUVERED COMPRESSOR PANEL
11	0121L00263DG	LOUVERED COMPRESSOR PANEL
21	0121L00237RFDG	CORNER POST (QTY 4)
31	0121L00233RFDG	POST-SIDE SUPPORT (QTY 3)
41	0121G00301	RAIL CORNER BRACKET (QTY 4)
51	0121L00976DG	ECONOMIZER DOOR
61	0270L00362DG	FILTER DOOR

Image 2:

12	0121L00236DG	DUCT PANEL
22	0121L00023DG	RETURN DUCT
32	0121L00024DG	SUPPLY DUCT
42	0121L00257DG	HEAT EXCHANGER DOOR
52	0121L00259DG	BLOWER DOOR
62	0121L00255RFDG	POST-BURNER DOOR
72	0121L00706DG	BURNER DOOR
82	0121L00262DG	LOUVERED CONTROL PANEL
NS	0121L00295DG	FLUE COLLAR
NS	0121L00689	RAIN SHIELD-DOOR

Expanded Model Nomenclature

- M1 - CPG0600903BAABCA
- M2 - CPG0600903BXJXCA
- M3 - CPG0600903BXSXCA
- M4 - CPG0600904BABMCA
- M5 - CPG0600904BHXUCA
- M6 - CPG0600904BXABCA
- M7 - CPG0600904BXJXCA
- M8 - CPG0600904BXSXCA
- M9 - CPG0600904BXXECA
- M10 - CPG0601403BASXCA
- M11 - CPG0601403BHXJCA
- M12 - CPG0601403BXJXCA
- M13 - CPG0601403BXSXCA
- M14 - CPG0601403BXXBCA
- M15 - CPG0601403HAACCA
- M16 - CPG0601403HAAXCA
- M17 - CPG0601404BXJXCA
- M18 - CPG0601404BXSXCA
- M19 - CPG0601404BXTXCA

Partition Assy

Image 1

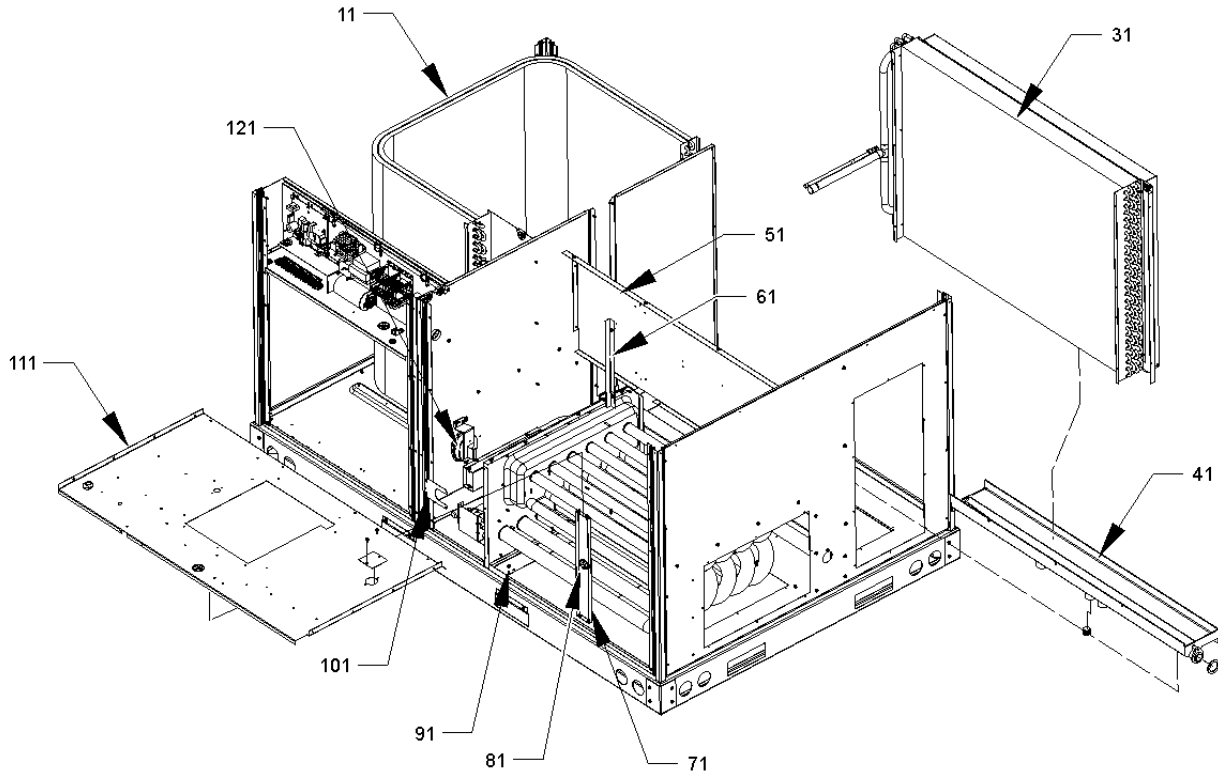
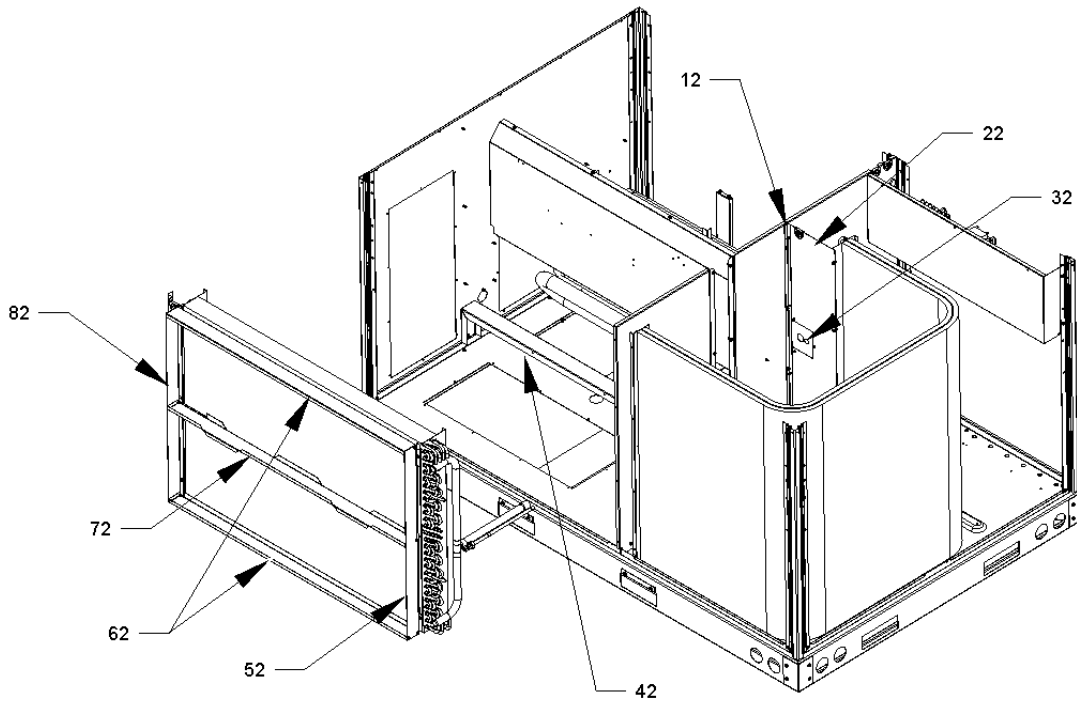


Image 2



Partition Assy

Ref. Part No: No:	Description:	Ref. Part No: No:	Description:
-------------------	--------------	-------------------	--------------

Image 1:

11	0201L00160	CONDENSER COIL ASSY (M2, M4, M7, M12, M17, M19)
11	0201L00141	TUBING ASSY, COND COIL (M1, M3, M5, M6, M8, M9, M10, M11, M13, M14, M15, M16, M18)
31	0202L00020	TUBING ASSY, EVAP COIL
41	0161L00005	DRAIN PAN
51	0121L00243	DECK SIDE CHANNEL
61	0121L00293	BACK ANGLE-HEAT EXCHANGER (QTY 2)
71	0121L00300	SUPPORT POST-DECK
81	20162903	PRIMARY LIMIT - BLUE (M1, M2, M3, M4, M5, M6, M7, M8, M9)
81	0130F00035	PRIMARY LIMIT - PURPLE 220° (M10, M11, M12, M13, M14, M15, M16, M17, M18, M19)
91	0121L00266	HEAT PANEL CHANNEL (QTY 2)
101	0121L00299DG	GAS VALVE BRACKET
111	0121L00981	DECK BLOWER
121	11112501	PRESSURE SWITCH
NS	A3468601	PRESSURE SWITCH HOSE
NS	0121L00321	SMOKE DETECTOR COVER

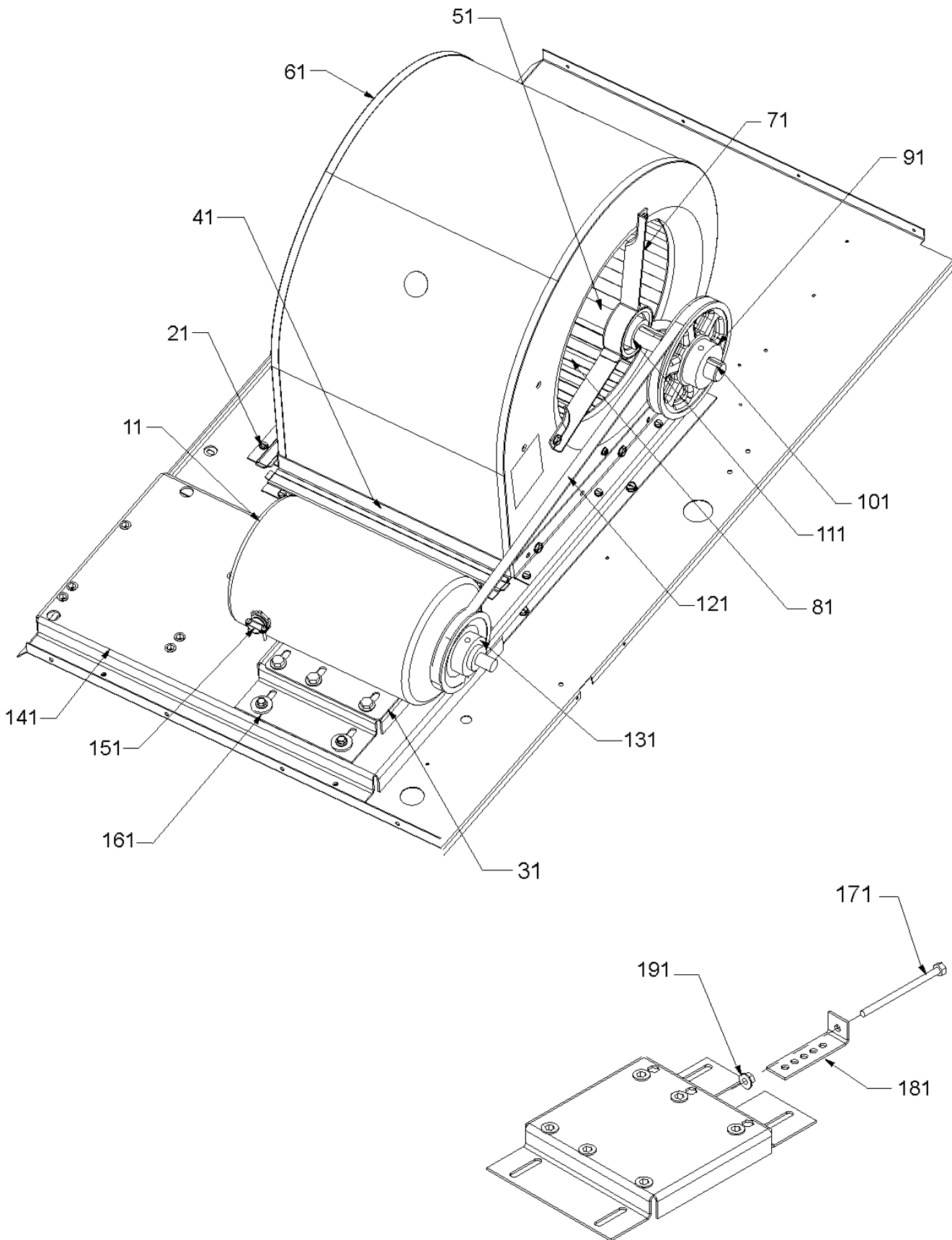
Image 2:

12	0121L00254	COND MOUNTING ANGLE
22	0121L00882	BLOCKOFF-CONDENSER
32	0121L00939	CONDENSER BLOCKOFF PLATE
42	0121L00238	DRAIN PAN SUPPORT
52	0121L00287	FILTER ANGLE-VERTICAL (RETURN SIDE)
62	0121L00932	FILTER ANGLE-HORIZONTAL (QTY 2)
72	0121L00298	FILTER ANGLE-HORIZONTAL (CENTER)
82	0121L00303	FILTER ANGLE-VERTICAL (HAIRPIN SIDE)
NS	0160L00008	FILTER 14 X 20 X 2 (QTY 4)

Expanded Model Nomenclature

M1 - CPG0600903BAABCA
M2 - CPG0600903BXJXCA
M3 - CPG0600903BXSXCA
M4 - CPG0600904BABMCA
M5 - CPG0600904BHXUCA
M6 - CPG0600904BXABCA
M7 - CPG0600904BXJXCA
M8 - CPG0600904BXSXCA
M9 - CPG0600904BXXECA
M10 - CPG0601403BASXCA
M11 - CPG0601403BHXJCA
M12 - CPG0601403BXJXCA
M13 - CPG0601403BXSXCA
M14 - CPG0601403BXXBCA
M15 - CPG0601403HAACCA
M16 - CPG0601403HAAXCA
M17 - CPG0601404BXJXCA
M18 - CPG0601404BXSXCA
M19 - CPG0601404BXTXCA

Belt Drive Assy



Belt Drive Assy

Ref. Part No: No:	Description:	Ref. Part No: No:	Description:
Image 1:			
11	0131L00003		BELT DRIVE MOTOR 1 HP
21	0121L00297		BLOWER SIDE ANGLE (QTY 3)
31	0121L00899		MOTOR BASE
41	0121L00281		BLOWER MOUNTING ANGLE
51	0163L00005		BELT DRIVE BLOWER SHAFT
61	2539302F		BLOWER HOUSING 11 X 10
71	B3201300		MOUNTING BRACKET BEARING (QTY 2)
81	B1368056		BELT DRIVE BLOWER WHEEL
91	B3204303		FIXED SHEAVE AK61
101	B1398604		STEEL KEY (000158812) 2.0"
111	B1399500		BALL BEARING 1.00" (QTY 2)
121	0164L00010		FAN BELT, NOTCHED
131	B2120001		VARIABLE PITCH SHEAVE 1VL44 X 3/8"
141	0121L00966		SUPPORT BLOWER PLATE
151	B1393726		ELECT. CONNECTING BUSHING
161	B1393738		BOLT 1/4-20 X 3/4" (QTY 5)
171	0163M00045		BOLT 1/4-20 X 4"
181	3225000F		BELT TIGHTENER ANGLE
191	B1393023		NUT / LOCK .25-20
NS	1864703F		BLOWER CUT-OFF
NS	20162905		PRIMARY LIMIT-YELLOW
NS	B1398603		STEEL KEY (000158812) 4.5"

Expanded Model Nomenclature

M1 - CPG0600903BAABCA
M2 - CPG0600903BXJXCA
M3 - CPG0600903BXSXCA
M4 - CPG0600904BABMCA
M5 - CPG0600904BHXUCA
M6 - CPG0600904BXABCA
M7 - CPG0600904BXJXCA
M8 - CPG0600904BXSXCA
M9 - CPG0600904BXXECA
M10 - CPG0601403BASXCA
M11 - CPG0601403BHXJCA
M12 - CPG0601403BXJXCA
M13 - CPG0601403BXSXCA
M14 - CPG0601403BXXBCA
M15 - CPG0601403HAACCA
M16 - CPG0601403HAAXCA
M17 - CPG0601404BXJXCA
M18 - CPG0601404BXSXCA
M19 - CPG0601404BXTXCA

Heat Exchanger and Control Panel Assy

Image 1

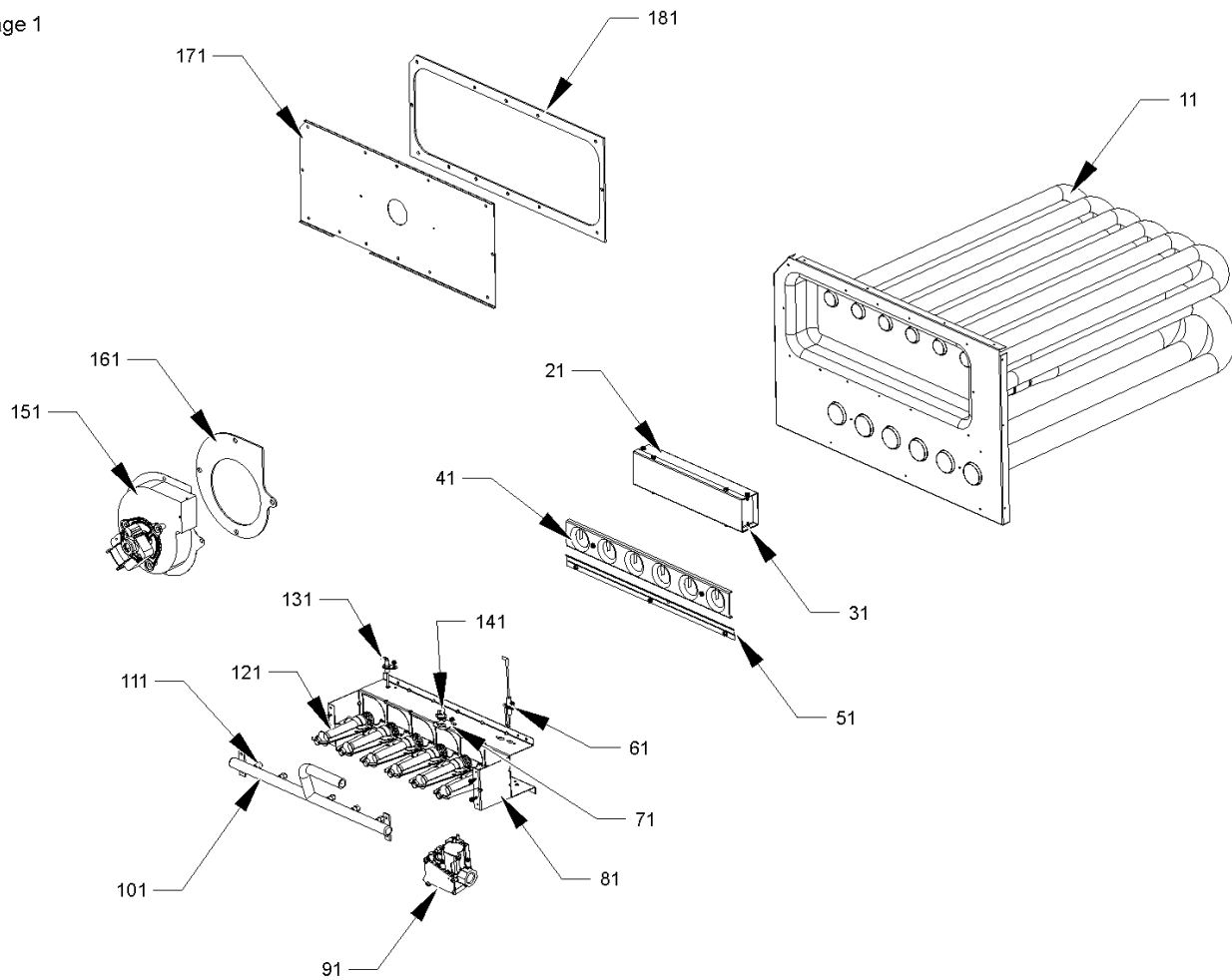
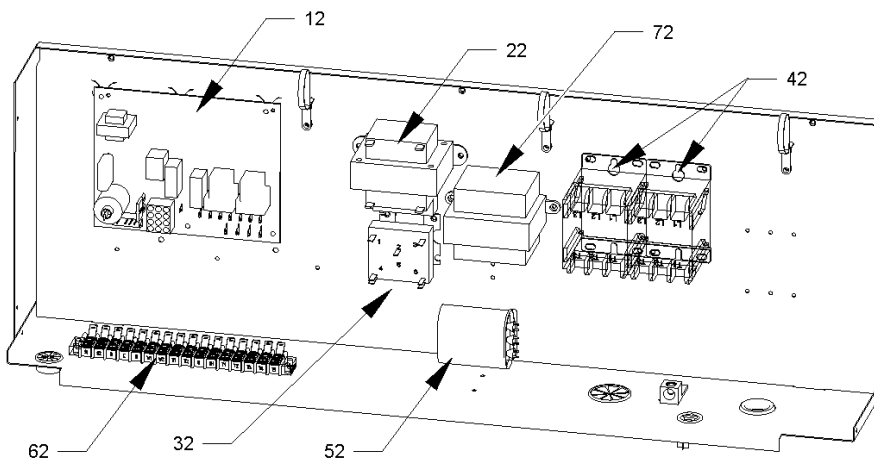


Image 2



Heat Exchanger and Control Panel Assy

Ref. Part No: No:	Description:	Ref. Part No: No:	Description:
Image 1:		Image 2:	
11	0270L00092	NS	0259L00074
	PART/TUBE ASSY 4B (M1, M2, M4, M5, M6, M7, M9)		CONTROL HARNESS (M1, M2, M3, M10, M11, M12, M13, M14, M15, M16)
11	0270L00105	NS	0259L00075
	PART/TUBE ASSY 4B (M3, M8)		CONTROL HARNESS (M4, M5, M6, M7, M8, M9, M17, M18, M19)
11	0270L00072	NS	0259L00125
	PART/TUBE ASSY 6B (M11, M12, M14, M15, M16, M17)		HARNESS, WIRING
11	0270L00104	NS	0259L00126
	PART/TUBE ASSY 6B (M10, M13, M18, M19)		HARNESS, WIRING
21	0121L00277	NS	0259L00054
	FLUE CHANNEL		WIRING HARNESS (M1, M2, M3, M10, M11, M12, M13, M14, M15, M16)
31	0121L00278	NS	0259L00060
	FLUE SIDE COVER		WIRING HARNESS (M4, M5, M6, M7, M8, M9, M17, M18, M19)
41	11072203	NS	0259L00065
	ORIFICE SHIELD (M1, M2, M3, M4, M5, M6, M7, M8, M9)		WIRING HARNESS
41	11072205	NS	0259L00069
	ORIFICE SHIELD (M10, M11, M12, M13, M14, M15, M16, M17, M18, M19)		WIRING HARNESS
51	0121L00267	Expanded Model Nomenclature	
	BURNER SLIDE BRACKET	M1 - CPG0600903BAABCA	
61	20261709	M2 - CPG0600903BXJXCA	
	IGNITOR	M3 - CPG0600903BXSXCA	
71	0121L00053	M4 - CPG0600904BABMCA	
	FLAME ROLLOUT BRACKET	M5 - CPG0600904BHXUCA	
81	20190412	M6 - CPG0600904BXABCA	
	BURNER BRACKET 4B (M1, M2, M3, M4, M5, M6, M7, M8, M9)	M7 - CPG0600904BXJXCA	
81	0121F00145	M8 - CPG0600904BXSXCA	
	BURNER BRACKET 6B (M10, M11, M12, M13, M14, M15, M16, M17, M18, M19)	M9 - CPG0600904BXXECA	
91	0151F00000P	M10 - CPG0601403BASXCA	
	GAS VALVE - WHITE-RODGERS 2-STAGE	M11 - CPG0601403BHXJCA	
101	0163L00026	M12 - CPG0601403BXJXCA	
	MANIFOLD - 4 BRNR (M1, M2, M3, M4, M5, M6, M7, M8, M9)	M13 - CPG0601403BXSXCA	
101	0163L00025	M14 - CPG0601403BXXBCA	
	MANIFOLD - 6 BRNR (M10, M11, M12, M13, M14, M15, M16, M17, M18, M19)	M15 - CPG0601403HAACCA	
111	10716003	M16 - CPG0601403HAAXCA	
	ORIFICE (QTY A/R)	M17 - CPG0601404BXJXCA	
121	10735102	M18 - CPG0601404BXSXCA	
	BECKETT BURNER (QTY A/R)	M19 - CPG0601404BXTXCA	
131	0130F00010		
	FLAME SENSOR		
141	10123532		
	MANUAL RESET LIMIT 350°F		
151	0131M00121		
	ID COMBUSTION BLOWER		
161	0154L00020		
	ID BLOWER GASKET		
171	0121L00241		
	ID BLOWER PLATE (M10, M11, M12, M13, M14, M15, M16, M17, M18, M19)		
171	0121L00284		
	ID BLOWER PLATE 4 BRNR (M1, M2, M3, M4, M5, M6, M7, M8, M9)		
181	0154L00018		
	ID BLOWER PLATE GASKET 4 BRNR (M1, M2, M3, M4, M5, M6, M7, M8, M9)		
181	0154L00017		
	ID BLOWER PLATE GASKET 6 BRNR (M10, M11, M12, M13, M14, M15, M16, M17, M18, M19)		
NS	0163L00072		
	SCREEN-FLUE		
Image 2:			
12	PCBAG123	IGNITION BOARD, DSI INTEGRATED	
22	0130M00138	TRANSFORMER 208/230, 24V (M1, M2, M3, M10, M11, M12, M13, M14, M15, M16)	
22	0130M00145	TRANSFORMER 480V to 24V, 75VA (M4, M5, M6, M7, M8, M9, M17, M18, M19)	
32	0130M00025	24V RELAY	
42	CONT3P025024V	CONTACTOR 25 AMP, 3P, 24V (M4, M5, M6, M7, M8, M9, M17, M18, M19)	
42	CONT3P030024V	CONTACTOR 30 AMP, 3P, 24V (M1, M2, M3, M10, M11, M12, M13, M14, M15, M16)	
52	CAP050000370VA	CAPACITOR 5/370V	
62	0130M00038	TERMINAL BOARD	
72	B1141663	TRANSFORMER 460V TO 230V, 150 VA (M4, M5, M6, M7, M8, M9, M17, M18, M19)	
72	0130M00061	TRANSFORMER, CONVENIENCE OUTLET (M1, M4, M6, M14)	
NS	20520901	CAPACITOR STRAP	

Accessory Parts List

Ref. Part No: No:	Description:	Ref. Part No: No:	Description:
-------------------	--------------	-------------------	--------------

Image 1:

NS 0130M00065	CIRCUIT BREAKER, CONVENIENCE OUTLET (M1, M4, M6, M14)
NS 0270L00107	CONVENIENCE OUTLET ASSEMBLY (M5, M11)
NS DSC060A38Y001FI	DISCONNECT MODULE ASSY (M5, M11)
NS DNECONGS3672B	ECONOMIZER, DOWNFLOW GAS/AC (M1, M4, M10, M15, M16)
NS HAILGD03FI	HAIL GUARD ASSEMBLY (M1, M4, M6, M15, M16)
NS LAKT01	LOW AMBIENT KIT (M4, M5, M15)
NS SDRKT01FI5	SMOKE DETECTOR ASSEMBLY (M5)
NS SDSKT01FI	SMOKE DETECTOR ASSEMBLY (M9)
NS SDSRKT01FI5	SMOKE DETECTOR ASSEMBLY (M11)
NS 0130M00061	TRANSFORMER, CONVENIENCE OUTLET (M1, M4, M6, M14)

Expanded Model Nomenclature

M1 - CPG0600903BAABCA
M2 - CPG0600903BXJXCA
M3 - CPG0600903BXSXCA
M4 - CPG0600904BABMCA
M5 - CPG0600904BHXUCA
M6 - CPG0600904BXABCA
M7 - CPG0600904BXJXCA
M8 - CPG0600904BXSXCA
M9 - CPG0600904BXXECA
M10 - CPG0601403BASXCA
M11 - CPG0601403BHXJCA
M12 - CPG0601403BXJXCA
M13 - CPG0601403BXSXCA
M14 - CPG0601403BXXBCA
M15 - CPG0601403HAACCA
M16 - CPG0601403HAAXCA
M17 - CPG0601404BXJXCA
M18 - CPG0601404BXSXCA
M19 - CPG0601404BXTXCA