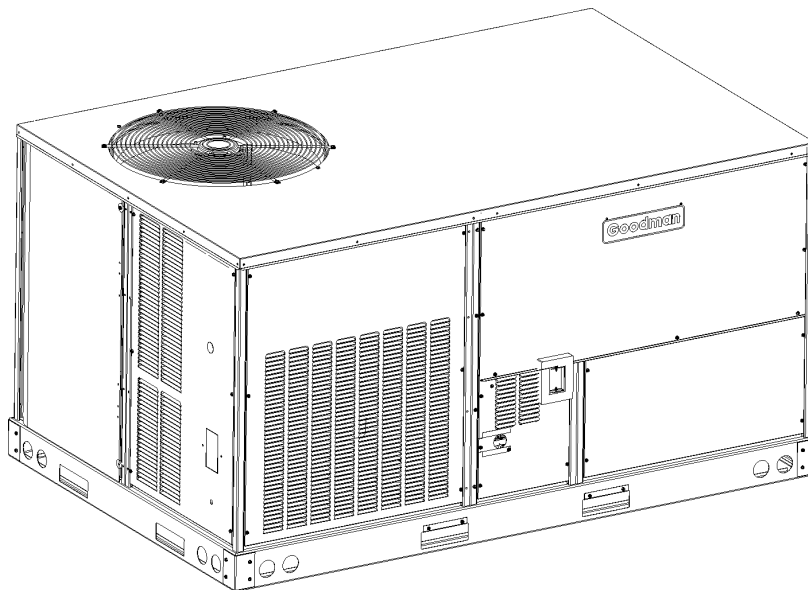




REPAIR PARTS

Commercial 5 Ton Package Gas Units - Direct Drive

CPG0600901DAABCA
CPG0600901DXCXCA
CPG0600901DXJXCA
CPG0600901DXSXCA
CPG0600901DXXXCA
CPG0600903DXJXCA
CPG0600903DXSXCA
CPG0600903DXXXCA
CPG0601401DXJXCA
CPG0601401DXSXCA
CPG0601401DXXXCA
CPG0601403DXAXCA
CPG0601403DXJXCA
CPG0601403DXSXCA
CPG0601403DXTXCA
CPG0601403DXXDCA
CPG0601403DXXXCA



This manual is to be used by qualified technicians only.

This manual replaces RP-712A.

© 2012-2013 Goodman Manufacturing Company, L.P. ♦ 5151 San Felipe, Suite 500 ♦ Houston, TX 77056

Important Information

Index

Functional Parts List	3
Illustration and Parts	4 - 15

Views shown are for parts illustrations only, not servicing procedures.

Text Codes:

AR - As Required

NA - Not Available

NS - Not Shown

00000000 - See Note

QTY - Quantity Example (QTY 3) (If Quantity not shown, Quantity = 1)

M - Model Example (M1) (If M Code not shown, then part is used on all Models)

Expanded Model Nomenclature:

Example M1 - Model#1 M2 - Model#2 M3 - Model#3

Goodman Manufacturing Company, L.P. is not responsible for personal injury or property damage resulting from improper service. Review all service information before beginning repairs.

Warranty service must be performed by an authorized technician, using authorized factory parts. If service is required after the warranty expires, Goodman Manufacturing Company, L.P. also recommends contacting an authorized technician and using authorized factory parts.

Goodman Manufacturing Company, L.P. reserves the right to discontinue, or change at any time, specifications or designs without notice or without incurring obligations.

For assistance within the U.S.A. contact:
Consumer Affairs Department
Goodman Manufacturing Company, L.P.
7401 Security Way
Houston, Texas 77040
877-254-4729-Telephone
713-863-2382-Facsimile

For assistance outside the U.S.A. contact:
International Division
Goodman Manufacturing Company, L.P.
7401 Security Way
Houston, Texas 77040
713-861-2500-Telephone
713-863-2382-Facsimile

Functional Parts

Part No: **Description:**

Part No:	Description:	Expanded Model Nomenclature
0130M00025	24V RELAY	
B1368000S	BLOWER WHEEL 11 X 10	M1 - CPG0600901DAABCA
CAP050700440RT	CAP,5/70 MFD/440V/DUAL RD (M1, M2, M3, M4, M5, M9, M10, M11)	M2 - CPG0600901DXCXCA
CAP050000370VA	CAPACITOR 5/370V (M6, M7, M8, M12, M13, M14, M15, M16, M17)	M3 - CPG0600901DXJXCA
ZP51K5ETF5130	COMP,51000,208/230/60/3 (M6, M7, M8, M12, M13, M14, M15, M16, M17)	M4 - CPG0600901DXSXCA
ZP51K5EPFV130	COMPRESSOR 51000, 208/230/60/1 (M1, M2, M3, M4, M5, M9, M10, M11)	M5 - CPG0600901DXXXCA
0131M00429	COND MOTOR, 1/4 HP, 1 SP, 6 PL	M6 - CPG0600903DXJXCA
CONT3P030024V	CONTACTOR 30 AMP, 3P, 24V (M6, M7, M8, M12, M13, M14, M15, M16, M17)	M7 - CPG0600903DXSXCA
CONT2P040024V	CONTACTOR 40 AMP, 2P, 24V (M1, M2, M3, M4, M5, M9, M10, M11)	M8 - CPG0600903DXXXCA
0150G00001	FAN BLADE	M9 - CPG0601401DXJXCA
0130F00010	FLAME SENSOR	M10 - CPG0601401DXSXCA
0151F00000P	GAS VALVE - WHITE-RODGERS 2-STAGE	M11 - CPG0601401DXXXCA
0130M00074	HIGH PRESSURE SWITCH	M12 - CPG0601403DXAXCA
PCBAG123	IGNITION BOARD, DSI INTEGRATED	M13 - CPG0601403DXJXCA
20261709	IGNITOR	M14 - CPG0601403DXSXCA
0130M00087	LOW PRESSURE SWITCH	M15 - CPG0601403DXTXCA
0131M00305	MOTOR - 1 HP PROGRAMMED SELEC	M16 - CPG0601403DXXDCA
11112501	PRESSURE SWITCH	M17 - CPG0601403DXXXCA
0130M00063	PRIMARY LIMIT - GOLD 140° (M1, M2, M3, M4, M5, M6, M7, M8)	
0130F00035	PRIMARY LIMIT - PURPLE 220° (M9, M10, M11, M12, M13, M14, M15, M16, M17)	
0130M00038	TERMINAL BOARD (M1, M2, M3, M4, M5, M9, M10, M11)	
B1141643	TRANSFORMER 208/230, 24V	

Top Panel/Tubing Assy

Ref. Part No: No:	Description:	Ref. Part No: No:	Description:
-------------------	--------------	-------------------	--------------

Image 1:

11	0270L00086	INSULATION-TOP ASSY.
21	0131M00429	COND MOTOR, 1/4 HP, 1 SP, 6 PL
31	0163M00006P	ACORN NUT 5/16 HEX BLACK (QTY 4)
41	0152G00002	GRILLE-FAN
51	17788000083F	PVC CONDUIT 8.25"
61	0150G00001	FAN BLADE
71	0161L00000	VENTURI RING 22"

Image 2:

12	ZP51K5ETF5130	COMP,51000,208/230/60/3 (M6, M7, M8, M12, M13, M14, M15, M16, M17)
12	ZP51K5EPFV130	COMPRESSOR 51000, 208/230/60/1 (M1, M2, M3, M4, M5, M9, M10, M11)
22	0130M00087	LOW PRESSURE SWITCH
42	0121L00244RF	SIDE RAIL (QTY 2)
52	0162R00009	FILTER DRIER
62	0130M00074	HIGH PRESSURE SWITCH
72	0121L00310	COMPRESSOR MOUNTING PLATE
82	B1339533	COMPRESSOR GROMMET (QTY 4)
92	0121L00245	END RAIL (QTY 2)
102	M0221641	TF SHOULDER SCREW (QTY 4)
NS	0159L00027	COMPRESSOR SCROLL HARNESS (M1, M2, M3, M4, M5, M9, M10, M11)
NS	0159L00028	COMPRESSOR SCROLL HARNESS (M6, M7, M8, M12, M13, M14, M15, M16, M17)

Expanded Model Nomenclature

M1 - CPG0600901DAABCA
M2 - CPG0600901DXCXCA
M3 - CPG0600901DXJXCA
M4 - CPG0600901DXSXCA
M5 - CPG0600901DXXXCA
M6 - CPG0600903DXJXCA
M7 - CPG0600903DXSXCA
M8 - CPG0600903DXXXCA
M9 - CPG0601401DXJXCA
M10 - CPG0601401DXSXCA
M11 - CPG0601401DXXXCA
M12 - CPG0601403DXAXCA
M13 - CPG0601403DXJXCA
M14 - CPG0601403DXSXCA
M15 - CPG0601403DXTXCA
M16 - CPG0601403DXXDCA
M17 - CPG0601403DXXXCA

Top Panel/Tubing Assy

Image 1

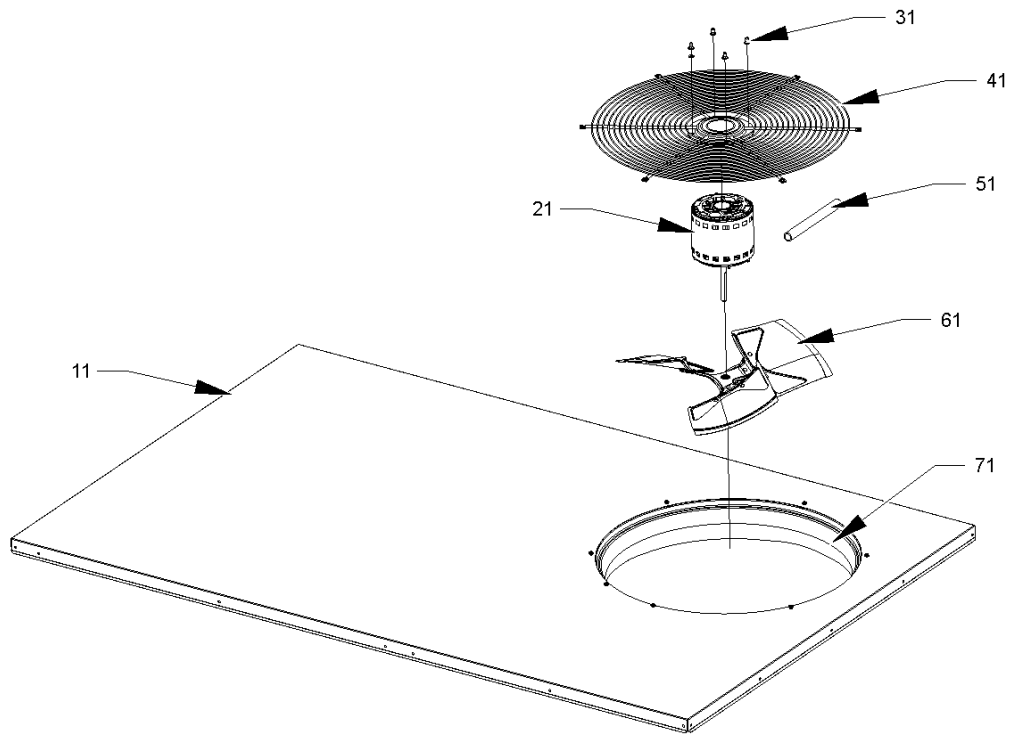
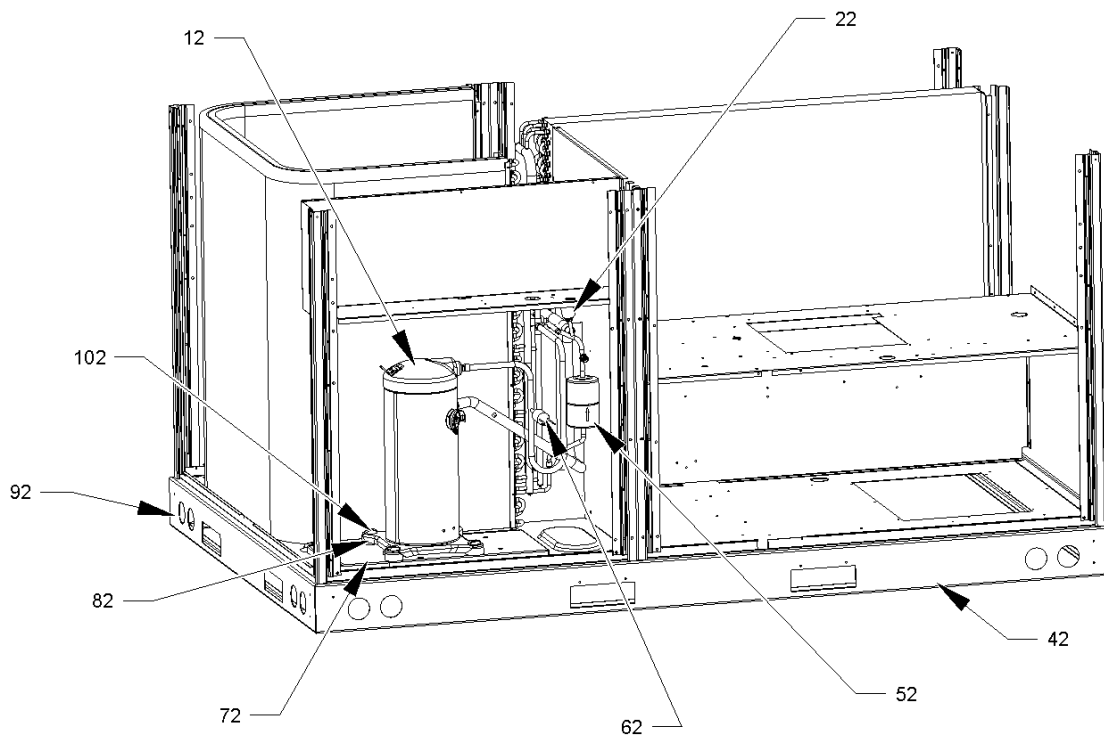


Image 2



Cabinet Assy

Image 1

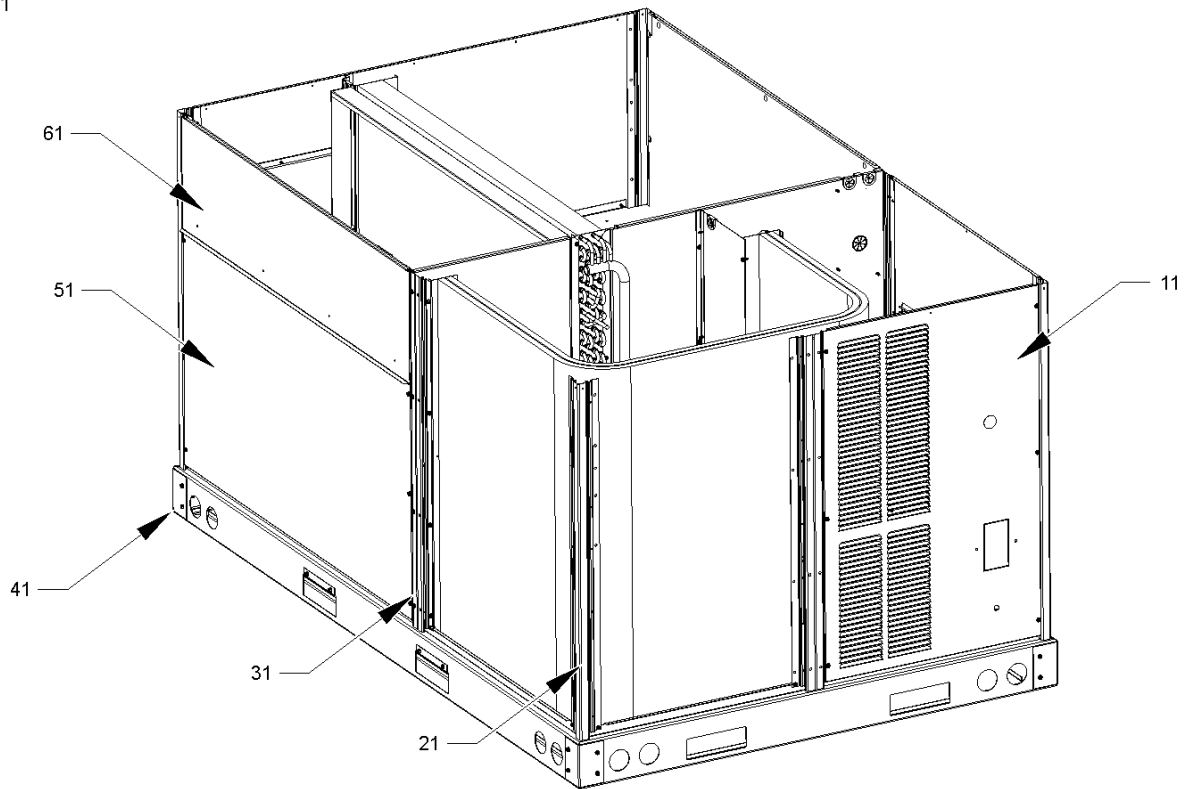
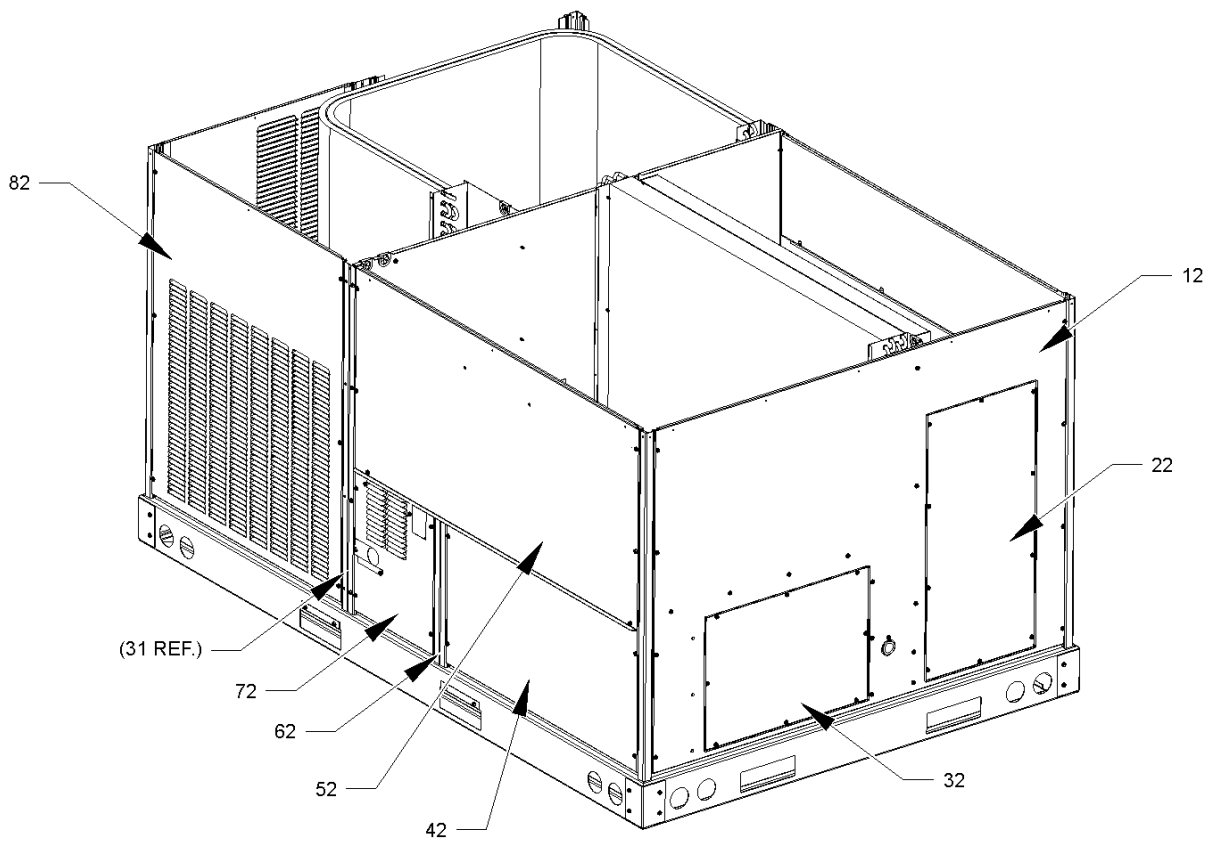


Image 2



Cabinet Assy

Ref. Part No: No:	Description:	Ref. Part No: No:	Description:
-------------------	--------------	-------------------	--------------

Image 1:

11	0121L00263DG	LOUVERED COMPRESSOR PANEL
21	0121L00237RFDG	CORNER POST (QTY 4)
31	0121L00233RFDG	POST-SIDE SUPPORT (QTY 3)
41	0121G00301	RAIL CORNER BRACKET (QTY 4)
51	0270L00081	INSULATED ASSY, ECONOMIZER DOOR
61	0270L00080	INSULATED ASSY, FILTER DOOR
NS	0121L00295DG	FLUE COLLAR
NS	0121L00689	RAIN SHIELD-DOOR

Image 2:

12	0270L00079	INSULATED ASSY, DUCT PANEL
22	0270L00011	INSULATED ASSY, RETURN DUCT
32	0270L00012	INSULATED ASSY, SUPPLY DUCT
42	0270L00083	INSULATED ASSY, HEAT EXCHANGER DOOR
52	0270L00084	INSULATED ASSY, BLOWER DOOR
62	0121L00255RFDG	POST-BURNER DOOR
72	0270L00253	BURNER DOOR ASSEMBLY
82	0121L00262DG	LOUVERED CONTROL PANEL

Expanded Model Nomenclature

M1 - CPG0600901DAABCA
M2 - CPG0600901DXCXCA
M3 - CPG0600901DXJXCA
M4 - CPG0600901DXSXCA
M5 - CPG0600901DXXXCA
M6 - CPG0600903DXJXCA
M7 - CPG0600903DXSXCA
M8 - CPG0600903DXXXCA
M9 - CPG0601401DXJXCA
M10 - CPG0601401DXSXCA
M11 - CPG0601401DXXXCA
M12 - CPG0601403DXAXCA
M13 - CPG0601403DXJXCA
M14 - CPG0601403DXSXCA
M15 - CPG0601403DXTXCA
M16 - CPG0601403DXXDCA
M17 - CPG0601403DXXXCA

Partition Panel Assy

Image 1

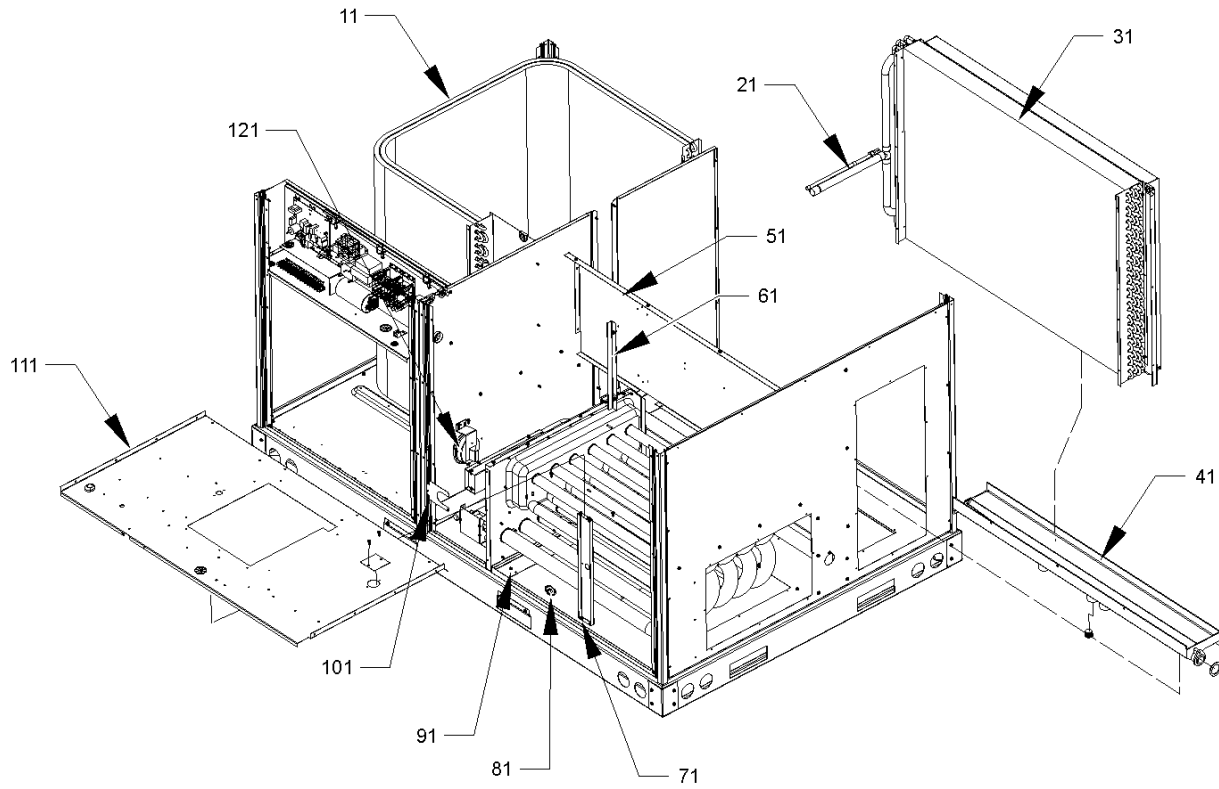
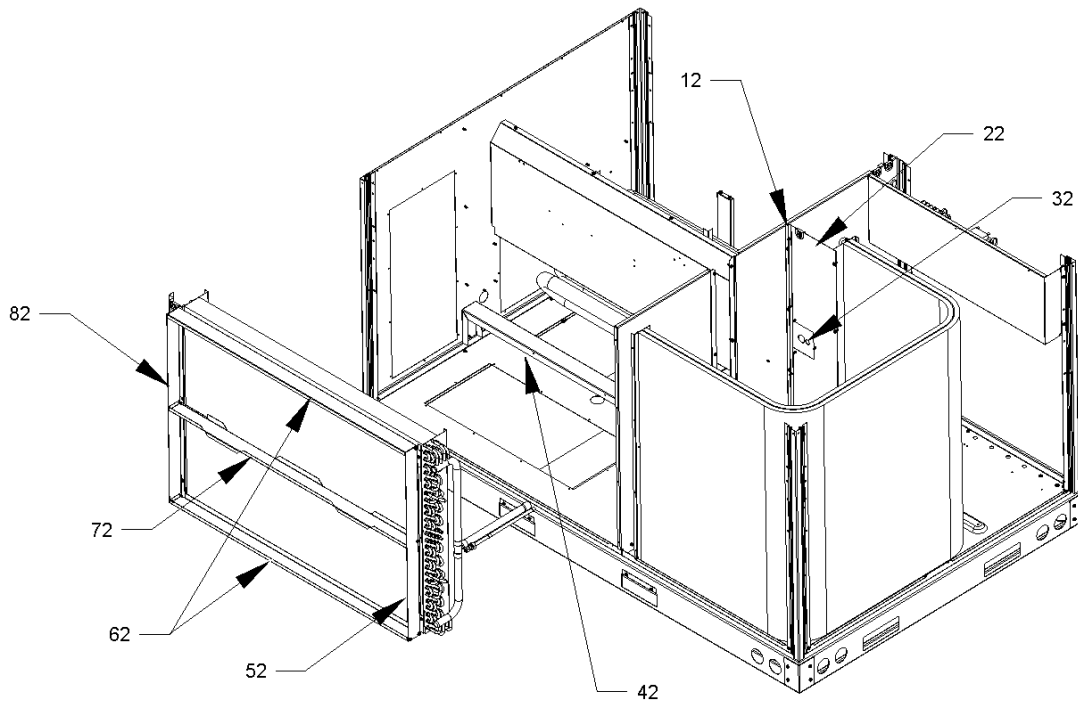


Image 2



Partition Panel Assy

Ref. Part No: No:	Description:	Ref. Part No: No:	Description:
-------------------	--------------	-------------------	--------------

Image 1:

11	0201L00141	CONDENSER COIL ASSY (M1, M2, M4, M5, M7, M8, M10, M11, M12, M14, M16, M17)
11	0201L00160	CONDENSER COIL ASSY (M3, M6, M9, M13, M15)
21	0162L00012	FLOWRATOR [EVAP]
31	0202L00020	TUBING ASSY, EVAP COIL
41	0161L00005	DRAIN PAN
51	0121L00243	DECK SIDE CHANNEL
61	0121L00293	BACK ANGLE-HEAT EXCHANGER (QTY 2)
71	0121L00300	SUPPORT POST-DECK
81	0130M00063	PRIMARY LIMIT - GOLD 140° (M1, M2, M3, M4, M5, M6, M7, M8)
81	0130F00035	PRIMARY LIMIT - PURPLE 220° (M9, M10, M11, M12, M13, M14, M15, M16, M17)
91	0121L00266	HEAT PANEL CHANNEL (QTY 2)
101	0121L00299DG	GAS VALVE BRACKET
111	0121L00981	DECK BLOWER
121	11112501	PRESSURE SWITCH
NS	A3468601	PRESSURE SWITCH HOSE

Image 2:

12	0121L00254	COND MOUNTING ANGLE
22	0121L00882	BLOCKOFF-CONDENSER
32	0121L00939	PLATE-CONDENSER BLOCKOFF
42	0121L00238	DRAIN PAN SUPPORT
52	0121L00287	FILTER ANGLE-VERTICAL (RETURN SIDE)
62	0121L00932	ANGLE-FILTER HORIZONTAL (QTY 2)
72	0121L00298	FILTER ANGLE-HORIZONTAL (CENTER)
82	0121L00303	FILTER ANGLE-VERTICAL (HAIRPIN SIDE)
NS	0160L00008	FILTER 14 X 20 X 2 (QTY 4)

Expanded Model Nomenclature

M1 - CPG0600901DAABCA
M2 - CPG0600901DXCXCA
M3 - CPG0600901DXJXCA
M4 - CPG0600901DXSXCA
M5 - CPG0600901DXXXCA
M6 - CPG0600903DXJXCA
M7 - CPG0600903DXSXCA
M8 - CPG0600903DXXXCA
M9 - CPG0601401DXJXCA
M10 - CPG0601401DXSXCA
M11 - CPG0601401DXXXCA
M12 - CPG0601403DXAXCA
M13 - CPG0601403DXJXCA
M14 - CPG0601403DXSXCA
M15 - CPG0601403DXTXCA
M16 - CPG0601403DXXDCA
M17 - CPG0601403DXXXCA

Blower Assy/Control Box Assy

Image 1

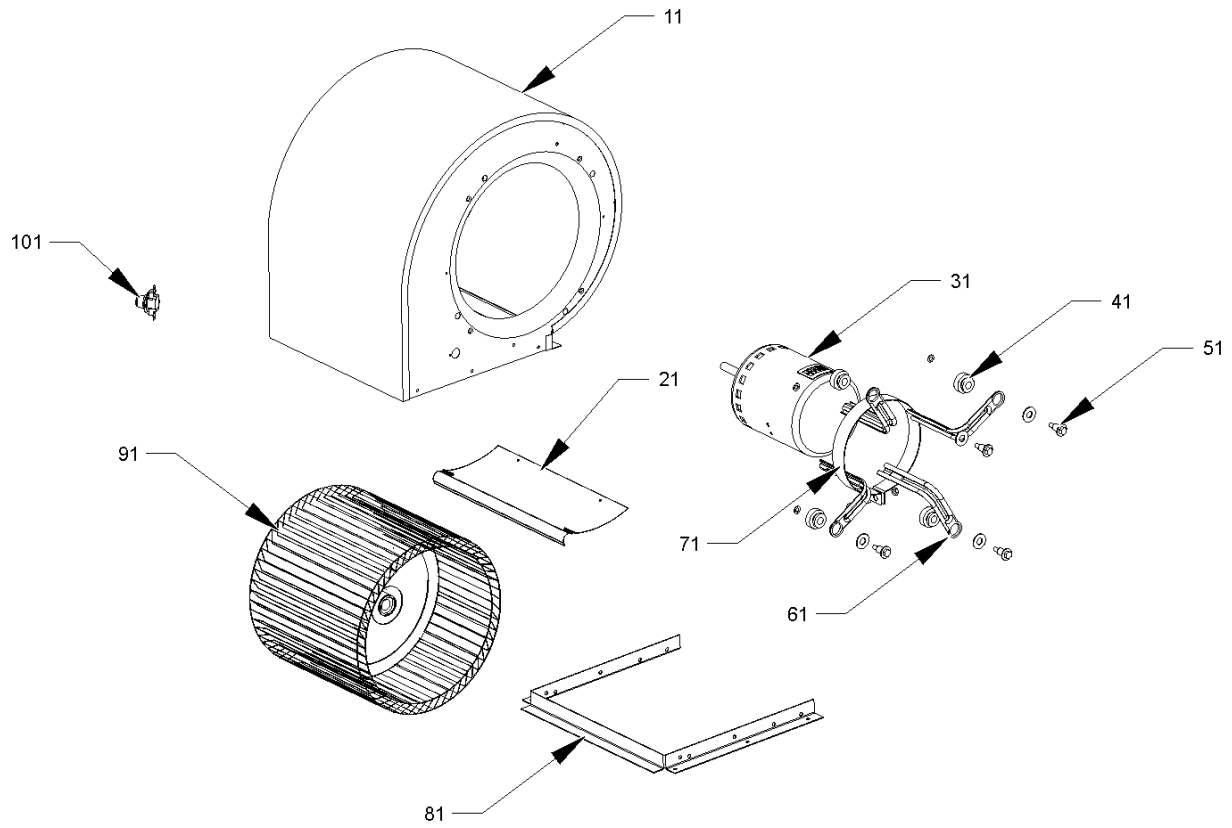
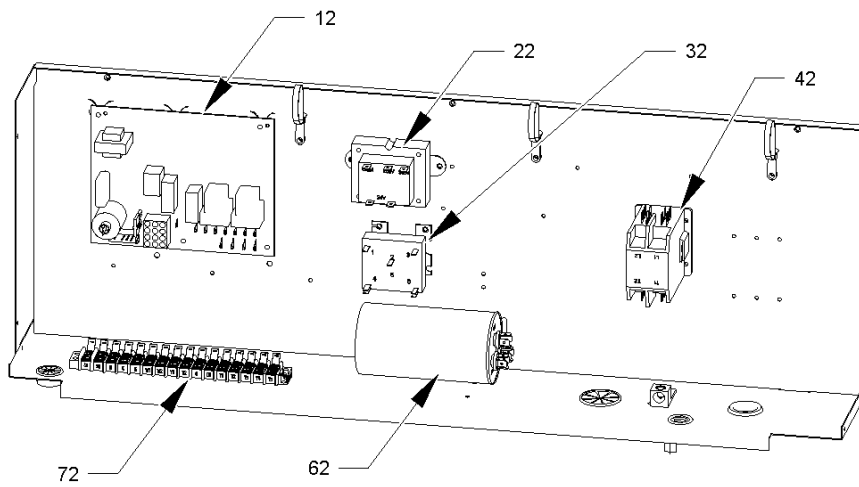


Image 2



Blower Assy/Control Box Assy

Ref. Part No: No:	Description:	Ref. Part No: No:	Description:
-------------------	--------------	-------------------	--------------

Image 1:

11	11185811	BLOWER HOUSING 11 X 10
21	C6121807	BLOWER CUT-OFF
31	0131M00305	MOTOR - 1 HP PROGRAMMED SELEC
41	A4002702	BLOWER MOTOR GROMMET (QTY 4)
51	M0221461	TC SCREW (QTY 4)
61	10441501	MOTOR MOUNT ARM (QTY 4)
71	10441601	MOTOR MOUNT BAND
81	0121L00281	BLOWER MOUNTING ANGLE
91	B1368000S	BLOWER WHEEL 11 X 10
101	20269903	AUXILIARY LIMIT, AUTO RESET
NS	20520901	CAPACITOR STRAP
NS	M0267144	MACHINE SCREW

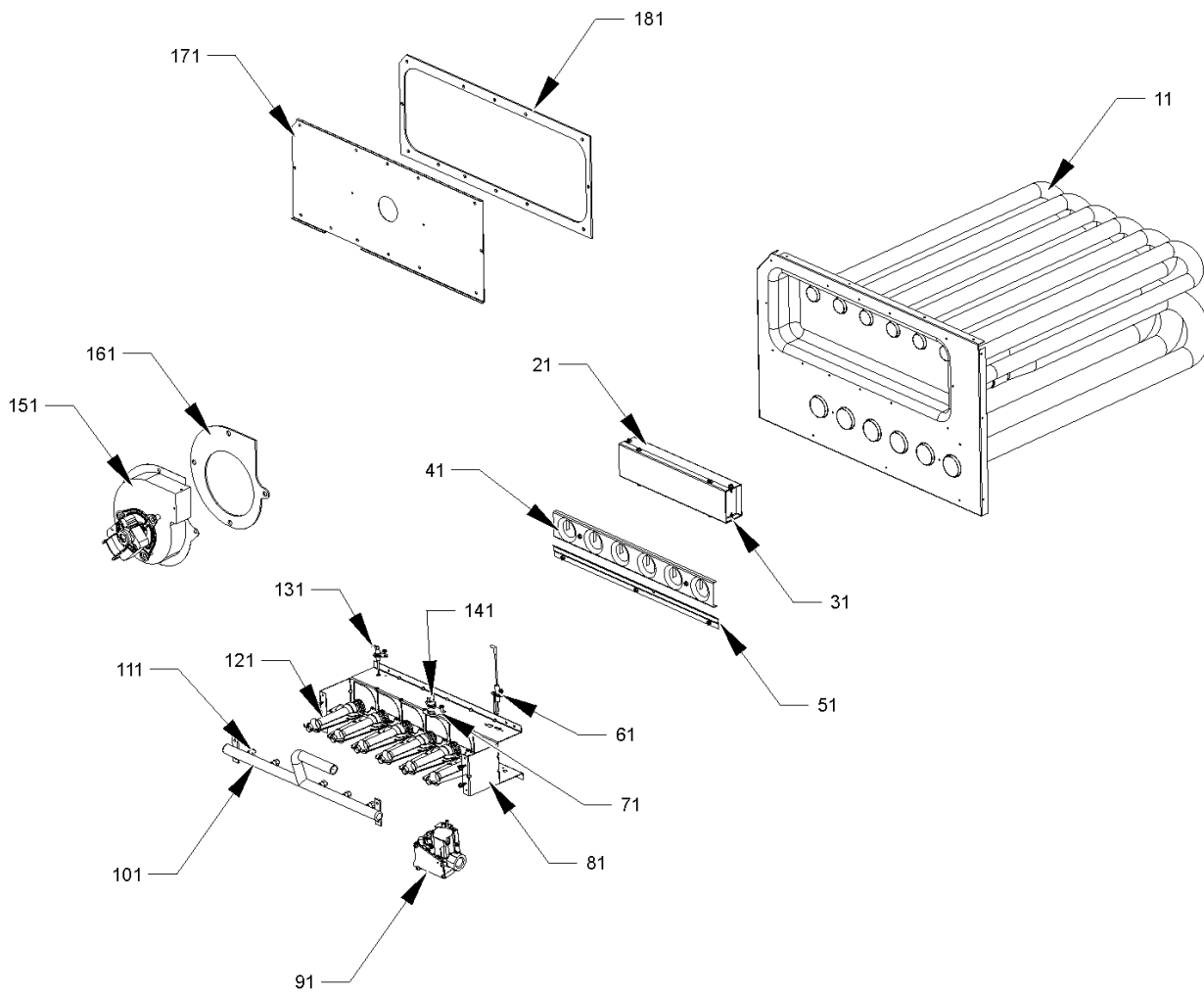
Image 2:

12	PCBAG123	IGNITION BOARD, DSI INTEGRATED
22	B1141643	TRANSFORMER 208/230, 24V
32	0130M00025	24V RELAY
42	CONT3P030024V	CONTACTOR 30 AMP, 3P, 24V (M6, M7, M8, M12, M13, M14, M15, M16, M17)
42	CONT2P040024V	CONTACTOR 40 AMP, 2P, 24V (M1, M2, M3, M4, M5, M9, M10, M11)
62	CAP050700440RT	CAP,5/70 MFD/440V/DUAL RD (M1, M2, M3, M4, M5, M9, M10, M11)
62	CAP050000370VA	CAPACITOR 5/370V (M6, M7, M8, M12, M13, M14, M15, M16, M17)
72	0130M00038	TERMINAL BOARD (M1, M2, M3, M4, M5, M9, M10, M11)
NS	0259L00125	HARNESS, WIRING (M6, M7, M8, M12, M13, M14, M15, M16, M17)
NS	0259L00126	HARNESS, WIRING (M6, M7, M8, M12, M13, M14, M15, M16, M17)
NS	0259L00054	WIRING HARNESS (M1, M2, M3, M4, M5, M9, M10, M11)
NS	0259L00066	WIRING HARNESS (M1, M2, M3, M4, M5, M9, M10, M11)
NS	0259L00069	WIRING HARNESS (M1, M2, M3, M4, M5, M9, M10, M11)

Expanded Model Nomenclature

M1 - CPG0600901DAABCA
M2 - CPG0600901DXCXCA
M3 - CPG0600901DXJXCA
M4 - CPG0600901DXSXCA
M5 - CPG0600901DXXXCA
M6 - CPG0600903DXJXCA
M7 - CPG0600903DXSXCA
M8 - CPG0600903DXXXCA
M9 - CPG0601401DXJXCA
M10 - CPG0601401DXSXCA
M11 - CPG0601401DXXXCA
M12 - CPG0601403DXAXCA
M13 - CPG0601403DXJXCA
M14 - CPG0601403DXSXCA
M15 - CPG0601403DXTXCA
M16 - CPG0601403DXXDCA
M17 - CPG0601403DXXXCA

Heat Exchanger Assy



Heat Exchanger Assy

Ref. Part No:	No:	Description:	Ref. Part No:	No:	Description:
<i>Image 1:</i>			Expanded Model Nomenclature		
11	0270L00092	PART/TUBE ASSY 4B (M1, M3, M5, M6, M8)	M1	-	CPG0600901DAABCA
11	0270L00105	PART/TUBE ASSY 4B (M2, M4, M7)	M2	-	CPG0600901DXCXCA
11	0270L00072	PART/TUBE ASSY 6B (M9, M11, M12, M13, M16, M17)	M3	-	CPG0600901DXJXCA
11	0270L00104	PART/TUBE ASSY 6B (M10, M14, M15)	M4	-	CPG0600901DXSXCA
21	0121L00277	FLUE CHANNEL	M5	-	CPG0600901DXXXCA
31	0121L00278	FLUE SIDE COVER	M6	-	CPG0600903DXJXCA
41	11072203	ORIFICE SHIELD (M1, M2, M3, M4, M5, M6, M7, M8)	M7	-	CPG0600903DXSXCA
41	11072205	ORIFICE SHIELD (M9, M10, M11, M12, M13, M14, M15, M16, M17)	M8	-	CPG0600903DXXXCA
51	0121L00267	BURNER SLIDE BRACKET	M9	-	CPG0601401DXJXCA
61	20261709	IGNITOR	M10	-	CPG0601401DXSXCA
71	0121L00053	FLAME ROLLOUT BRACKET	M11	-	CPG0601401DXXXCA
81	20190412	BURNER BRACKET 4B (M1, M2, M3, M4, M5, M6, M7, M8)	M12	-	CPG0601403DXAXCA
81	0121F00145	BURNER BRACKET 6B (M9, M10, M11, M12, M13, M14, M15, M16, M17)	M13	-	CPG0601403DXJXCA
91	0151F00000P	GAS VALVE - WHITE-RODGERS 2-STAGE	M14	-	CPG0601403DXSXCA
101	0270L00093	MANIFOLD ASSEMBLY-4 BURNER (M1, M2, M3, M4, M5, M6, M7, M8)	M15	-	CPG0601403DXTXCA
101	0270L00090	MANIFOLD ASSEMBLY-6 BURNER (M9, M10, M11, M12, M13, M14, M15, M16, M17)	M16	-	CPG0601403DXXDCA
111	10716003	ORIFICE (QTY A/R)	M17	-	CPG0601403DXXXCA
121	10735102S	BECKETT BURNER (QTY A/R)			
131	0130F00010	FLAME SENSOR			
141	10123532	MANUAL RESET LIMIT 350°F			
151	0131M00121	BLOWER-ID COMBUSTION (M1, M2, M3, M4, M5, M6, M7, M8)			
161	0154L00020	ID BLOWER GASKET (M9, M10, M11, M12, M13, M14, M15, M16, M17)			
171	0121L00241	ID BLOWER PLATE (M9, M10, M11, M12, M13, M14, M15, M16, M17)			
171	0121L00284	ID BLOWER PLATE 4 BRNR (M1, M2, M3, M4, M5, M6, M7, M8)			
181	0154L00018	ID BLOWER PLATE GASKET 4 BRNR (M1, M2, M3, M4, M5, M6, M7, M8)			
181	0154L00017	ID BLOWER PLATE GASKET 6 BRNR (M9, M10, M11, M12, M13, M14, M15, M16, M17)			
NS	0163L00072	FLUE SCREEN			

Accessory Parts List

Ref. Part No: No:	Description:	Ref. Part No: No:	Description:
-------------------	--------------	-------------------	--------------

Image 1:

NS 0130M00065	CIRCUIT BREAKER, CONVENIENCE OUTLET (M1)
NS 0270L00107	CONVENIENCE OUTLET ASSEMBLY (M1)
NS DNECONGS3672B	ECONOMIZER, DOWNFLOW GAS/AC (M1)
NS HAILGD03FI	HAIL GUARD ASSEMBLY (M1, M2, M12)
NS SDRKT01FI5	SMOKE DETECTOR ASSEMBLY (M16)
NS 0130M00061	TRANSFORMER, CONVENIENCE OUTLET (M1)

Expanded Model Nomenclature

- M1 - CPG0600901DAABCA
- M2 - CPG0600901DXCXCA
- M3 - CPG0600901DXJXCA
- M4 - CPG0600901DXSXCA
- M5 - CPG0600901DXXXCA
- M6 - CPG0600903DXJXCA
- M7 - CPG0600903DXSXCA
- M8 - CPG0600903DXXXCA
- M9 - CPG0601401DXJXCA
- M10 - CPG0601401DXSXCA
- M11 - CPG0601401DXXXCA
- M12 - CPG0601403DXAXCA
- M13 - CPG0601403DXJXCA
- M14 - CPG0601403DXSXCA
- M15 - CPG0601403DXTXCA
- M16 - CPG0601403DXXDCA
- M17 - CPG0601403DXXXCA