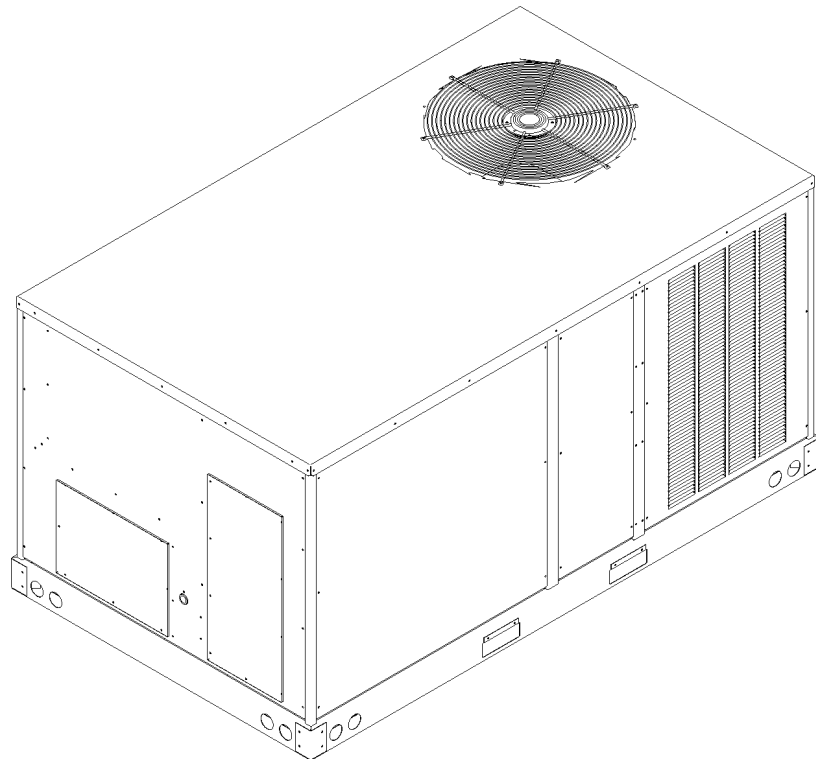


REPAIR PARTS

Light Commercial 3 Phase 5 Ton Package Gas

CPG0360704BXSXAA
CPG0361054BXSXAA
CPG0480704BXSXAA
CPG0481054BXSXAA
CPG0600703BXJXAA
CPG0600703BXXXAA
CPG0600703DXJXAA
CPG0600703DXXXAA
CPG0600704BXJXAA
CPG0600704BXSXAA
CPG0600704BXXXAA
CPG0601403BXJXAA
CPG0601403BXXXAA
CPG0601403DXJXAA
CPG0601403DXXXAA
CPG0601404BXJXAA
CPG0601404BXSXAA
CPG0601404BXXXAA
CPG0601407BXJXAA
CPG0601407BXXXAA



This manual is to be used by qualified technicians only.

This manual replaces RP-476A.

© 2008 Goodman Manufacturing Company, L.P. ♦ 5151 San Felipe, Suite 500 ♦ Houston, TX 77056

Important Information

Index

Functional Parts List	3
Illustration and Parts	4 - 19

Views shown are for parts illustrations only, not servicing procedures.

Rev. B: Added models CPG0600703BXJXAA, CPG0600703DXJXAA, CPG0600704BXJXAA, CPG0601403BXJXAA, CPG0601403DXJXAA, CPG0601404BXJXAA, and CPG0601407BXJXAA.

Text Codes:

AR - As Required

NA - Not Available

NS - Not Shown

00000000 - See Note

QTY - Quantity Example (QTY 3) (If Quantity not shown, Quantity = 1)

M - Model Example (M1) (If M Code not shown, then part is used on all Models)

Expanded Model Nomenclature:

Example M1 - Model#1 M2 - Model#2 M3 - Model#3

Goodman Manufacturing Company, L.P. is not responsible for personal injury or property damage resulting from improper service. Review all service information before beginning repairs.

Warranty service must be performed by an authorized technician, using authorized factory parts. If service is required after the warranty expires, Goodman Manufacturing Company, L.P. also recommends contacting an authorized technician and using authorized factory parts.

Goodman Manufacturing Company, L.P. reserves the right to discontinue, or change at any time, specifications or designs without notice or without incurring obligations.

For assistance within the U.S.A. contact:
Consumer Affairs Department
Goodman Manufacturing Company, L.P.
7401 Security Way
Houston, Texas 77040
877-254-4729-Telephone
713-863-2382-Facsimile

For assistance outside the U.S.A. contact:
International Division
Goodman Manufacturing Company, L.P.
7401 Security Way
Houston, Texas 77040
713-861-2500-Telephone
713-863-2382-Facsimile

Functional Parts

Part

No: Description:

20269903	AUXILIARY LIMIT, AUTO RESET (M7, M8, M14, M15)
B1370166	AUXILIARY LIMIT-TEMPERATURE CONTROL (M1, M2, M3, M4, M5, M6, M9, M10, M11, M12, M13, M16, M17, M18, M19, M20)
0131L00003S	BELT DRIVE MOTOR 1 HP (M1, M2, M3, M4, M5, M6, M9, M10, M11, M12, M13, M16, M17, M18)
0131L00004S	BELT DRIVE MOTOR 1.5 HP 575V (M19, M20)
0131L00000S	BLOWER MOTOR 1 HP PROGRAMMED X13 (M7, M8, M14, M15)
CAP050000370VAS	CAPACITOR 5/370V
ZP31K5ETFD830	COMPRESSOR 31200, 460/60/3 (M1, M2)
ZP39K5ETFD830	COMPRESSOR 39000, 460/60/3 (M3, M4)
ZP51K5ETF5830	COMPRESSOR 51000, 208/230/60/3 (M5, M6, M7, M8, M12, M13, M14, M15)
ZP51K5ETFD830	COMPRESSOR 51000, 460/60/3 (M9, M10, M11, M16, M17, M18)
ZP51K5ETFE830	COMPRESSOR 51000, 575/60/3 (M19, M20)
0131M00007PS	COND MOTOR 1/4 HP, 1 SP, 8 PL (M5, M6, M7, M8, M12, M13, M14, M15)
B13400269S	COND MOTOR 380/460 50/60 CYCLE (M1, M2, M3, M4, M9, M10, M11, M16, M17, M18)
0131M00098S	COND MOTOR 575V (M19, M20)
CONT3P025024VS	CONTACTOR 25 AMP, 3P, 24V (M1, M2, M3, M4, M9, M10, M11, M16, M17, M18, M19, M20)
CONT3P030024VS	CONTACTOR 30 AMP, 3P, 24V (M5, M6, M7, M8, M12, M13, M14, M15)
0130M00030S	CUT-OUT SWITCH, HIGH PRESSURE
0130L00002S	CUT-OUT SWITCH, LOW PRESSURE
B1282628	GAS VALVE (36G)
PCBAG123S	IGNITION BOARD, DSI INTEGRATED
0130F00014S	IGNITOR
10123532	MANUAL RESET LIMIT 300°F
11112501S	PRESSURE SWITCH
B1370189	PRIMARY LIMIT SWITCH 200°F
0130M00038S	TERMINAL BOARD
B1141643	TRANSFORMER 208/230, 24V (M5, M6, M7, M8, M12, M13, M14, M15)
B1141663	TRANSFORMER 460V TO 23V, 150 VA (M1, M2, M3, M4, M9, M10, M11, M16, M17, M18)
B1141653	TRANSFORMER 480V, 75VA, RESETTABLE (M1, M2, M3, M4, M9, M10, M11, M16, M17, M18)
0130M00044S	TRANSFORMER 575/230V (M19, M20)
0130M00045S	TRANSFORMER 575/24V (M19, M20)
0131L00002S	VENT MOTOR

SPECIAL PARTS

0140L00058	GOODMAN LABEL
IO-336D	INSTALLATION INSTRUCTIONS
RP-476B	REPAIR PARTS MANUAL
HI-122	USERS MANUAL

Expanded Model Nomenclature

M1 - CPG0360704BXSXAA
M2 - CPG0361054BXSXAA
M3 - CPG0480704BXSXAA
M4 - CPG0481054BXSXAA
M5 - CPG0600703BXJXAA
M6 - CPG0600703BXXAA
M7 - CPG0600703DXJXAA
M8 - CPG0600703DXXXAA
M9 - CPG0600704BXJXAA
M10 - CPG0600704BXSXAA
M11 - CPG0600704BXXXAA
M12 - CPG0601403BXJXAA
M13 - CPG0601403BXXAA
M14 - CPG0601403DXJXAA
M15 - CPG0601403DXXXAA
M16 - CPG0601404BXJXAA
M17 - CPG0601404BXSXAA
M18 - CPG0601404BXXXAA
M19 - CPG0601407BXJXAA
M20 - CPG0601407BXXXAA

Top Panel/Tubing Assy

Image 1

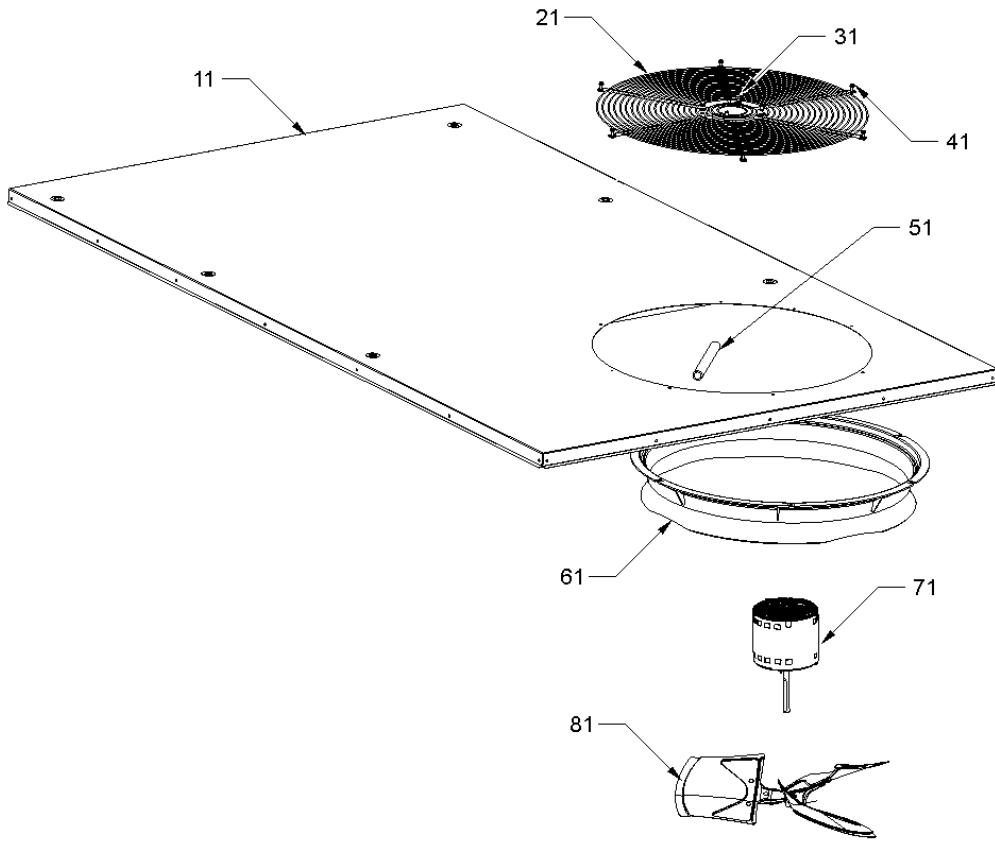
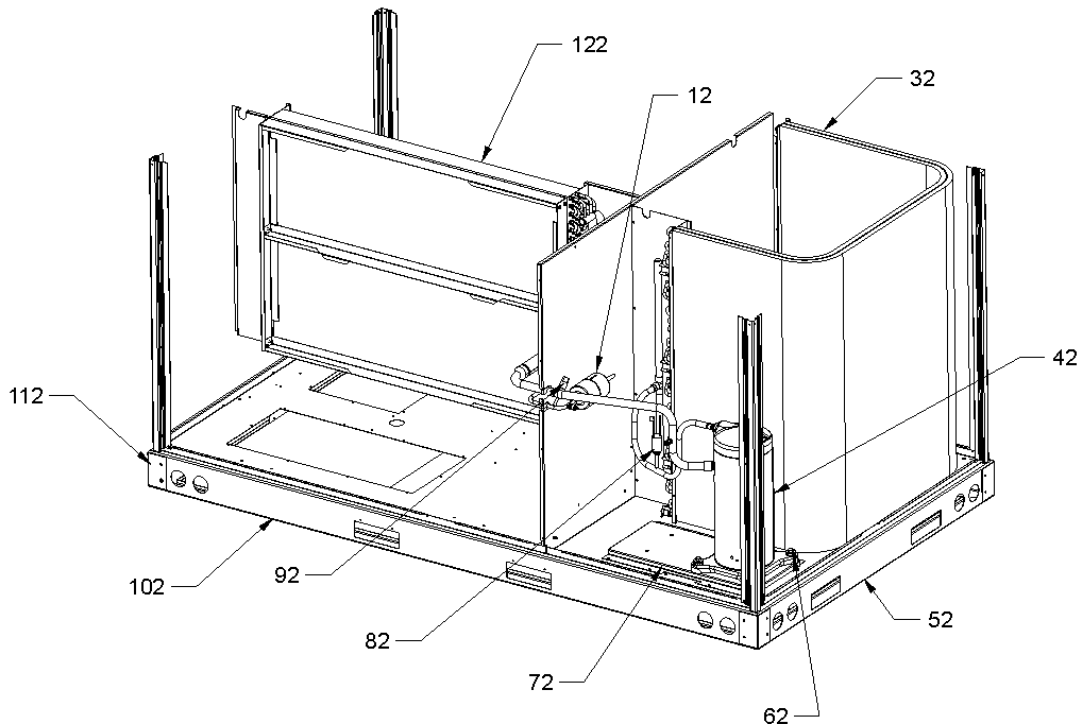


Image 2



Top Panel/Tubing Assy

Ref. Part No:	No:	Description:	Ref. Part No:	No:	Description:																				
<i>Image 1:</i>			122	0202L00009S	TUBING ASSY, EVAP COIL (M1, M2)																				
11	0274L00001S	INSULATED ASSY, TOP PANEL	122	0202L00014S	TUBING ASSY, EVAP COIL (M3, M4)																				
21	0152G00002S	FAN GRILLE	NS	B1339533	COMPRESSOR GROMMET (QTY 4)																				
31	0163M00006P	ACORN NUT 5/16 HEX BLACK (QTY 4)	NS	0159L00003	COMPRESSOR SCROLL HARNESS (M1, M2, M3, M4, M5, M6, M7, M8, M9, M10, M11, M12, M13, M14, M15, M16, M17, M18)																				
41	0163M00004	SCREW #10X3/4", BLACK (M5, M6, M7, M8, M12, M13, M14, M15)	NS	0159L00004	COMPRESSOR SCROLL HARNESS (M19, M20)																				
41	M0221817	SMALL SCREW (M1, M2, M3, M4, M9, M10, M11, M16, M17, M18, M19, M20)	Expanded Model Nomenclature																						
51	17788000083F	PVC CONDUIT 8.25"	<table border="1"> <tr><td>M1 - CPG0360704BXSXAA</td></tr> <tr><td>M2 - CPG0361054BXSXAA</td></tr> <tr><td>M3 - CPG0480704BXSXAA</td></tr> <tr><td>M4 - CPG0481054BXSXAA</td></tr> <tr><td>M5 - CPG0600703BXJXAA</td></tr> <tr><td>M6 - CPG0600703BXXXAA</td></tr> <tr><td>M7 - CPG0600703DXJXAA</td></tr> <tr><td>M8 - CPG0600703DXXXAA</td></tr> <tr><td>M9 - CPG0600704BXJXAA</td></tr> <tr><td>M10 - CPG0600704BXSXAA</td></tr> <tr><td>M11 - CPG0600704BXXXAA</td></tr> <tr><td>M12 - CPG0601403BXJXAA</td></tr> <tr><td>M13 - CPG0601403BXXXAA</td></tr> <tr><td>M14 - CPG0601403DXJXAA</td></tr> <tr><td>M15 - CPG0601403DXXXAA</td></tr> <tr><td>M16 - CPG0601404BXJXAA</td></tr> <tr><td>M17 - CPG0601404BXSXAA</td></tr> <tr><td>M18 - CPG0601404BXXXAA</td></tr> <tr><td>M19 - CPG0601407BXJXAA</td></tr> <tr><td>M20 - CPG0601407BXXXAA</td></tr> </table>			M1 - CPG0360704BXSXAA	M2 - CPG0361054BXSXAA	M3 - CPG0480704BXSXAA	M4 - CPG0481054BXSXAA	M5 - CPG0600703BXJXAA	M6 - CPG0600703BXXXAA	M7 - CPG0600703DXJXAA	M8 - CPG0600703DXXXAA	M9 - CPG0600704BXJXAA	M10 - CPG0600704BXSXAA	M11 - CPG0600704BXXXAA	M12 - CPG0601403BXJXAA	M13 - CPG0601403BXXXAA	M14 - CPG0601403DXJXAA	M15 - CPG0601403DXXXAA	M16 - CPG0601404BXJXAA	M17 - CPG0601404BXSXAA	M18 - CPG0601404BXXXAA	M19 - CPG0601407BXJXAA	M20 - CPG0601407BXXXAA
M1 - CPG0360704BXSXAA																									
M2 - CPG0361054BXSXAA																									
M3 - CPG0480704BXSXAA																									
M4 - CPG0481054BXSXAA																									
M5 - CPG0600703BXJXAA																									
M6 - CPG0600703BXXXAA																									
M7 - CPG0600703DXJXAA																									
M8 - CPG0600703DXXXAA																									
M9 - CPG0600704BXJXAA																									
M10 - CPG0600704BXSXAA																									
M11 - CPG0600704BXXXAA																									
M12 - CPG0601403BXJXAA																									
M13 - CPG0601403BXXXAA																									
M14 - CPG0601403DXJXAA																									
M15 - CPG0601403DXXXAA																									
M16 - CPG0601404BXJXAA																									
M17 - CPG0601404BXSXAA																									
M18 - CPG0601404BXXXAA																									
M19 - CPG0601407BXJXAA																									
M20 - CPG0601407BXXXAA																									
61	0161L00000	VENTURI RING 22"																							
71	0131M00007PS	COND MOTOR 1/4 HP, 1 SP, 8 PL (M5, M6, M7, M8, M12, M13, M14, M15)																							
71	B13400269S	COND MOTOR 380/460 50/60 CYCLE (M1, M2, M3, M4, M9, M10, M11, M16, M17, M18)																							
71	0131M00098S	COND MOTOR 575V (M19, M20)																							
81	0150G00001S	FAN BLADE																							
NS	0162M00074S	FLOWRATOR .082 [EVAP] (M5, M6, M7, M8, M9, M10, M11, M12, M13, M14, M15, M16, M17, M18, M19, M20)																							
NS	0162M00073S	FLOWRATOR [COND] (M5, M6, M7, M8, M9, M10, M11, M12, M13, M14, M15, M16, M17, M18, M19, M20)																							
NS	0162M00079S	FLOWRATOR [COND] (M1, M2, M3, M4)																							
NS	0162L00003S	FLOWRATOR [EVAP] (M3, M4)																							
NS	0162M00078S	FLOWRATOR [EVAP] (M1, M2)																							
<i>Image 2:</i>																									
12	B5134711	FILTER DRIER (M5, M6, M7, M8, M9, M10, M11, M12, M13, M14, M15, M16, M17, M18, M19, M20)																							
12	B1219225	SINGLE-FLOW FILTER DRIER, STEEL (M1, M2, M3, M4)																							
32	0201L00000S	TUBING ASSY, COND COIL (M6, M8, M10, M11, M13, M15, M17, M18, M20)																							
32	0201L00008S	TUBING ASSY, COND COIL (M1, M2, M3, M4)																							
32	0201L00023S	TUBING ASSY, COND COIL (M5, M7, M9, M12, M14, M16, M19)																							
42	ZP31K5ETFD830	COMPRESSOR 31200, 460/60/3 (M1, M2)																							
42	ZP39K5ETFD830	COMPRESSOR 39000, 460/60/3 (M3, M4)																							
42	ZP51K5ETF5830	COMPRESSOR 51000, 208/230/60/3 (M5, M6, M7, M8, M12, M13, M14, M15)																							
42	ZP51K5ETFD830	COMPRESSOR 51000, 460/60/3 (M9, M10, M11, M16, M17, M18)																							
42	ZP51K5ETFE830	COMPRESSOR 51000, 575/60/3 (M19, M20)																							
52	0121G00262S	BASEPAN RAIL-SHORT (QTY 2)																							
62	M0221641	TF SHOULDER SCREW (QTY 4)																							
72	0121L00004	COMPRESSOR MOUNTING PLATE																							
82	0130M00030S	CUT-OUT SWITCH, HIGH PRESSURE																							
92	0130L00002S	CUT-OUT SWITCH, LOW PRESSURE																							
102	0121G00261	BASEPAN RAIL-LONG (QTY 2)																							
112	0121G00301	RAIL CORNER BRACKET (QTY 4)																							
122	0202L00000S	TUBING ASSY, EVAP COIL (M5, M6, M7, M8, M9, M10, M11, M12, M13, M14, M15, M16, M17, M18, M19, M20)																							

Cabinet Assy

Image 1

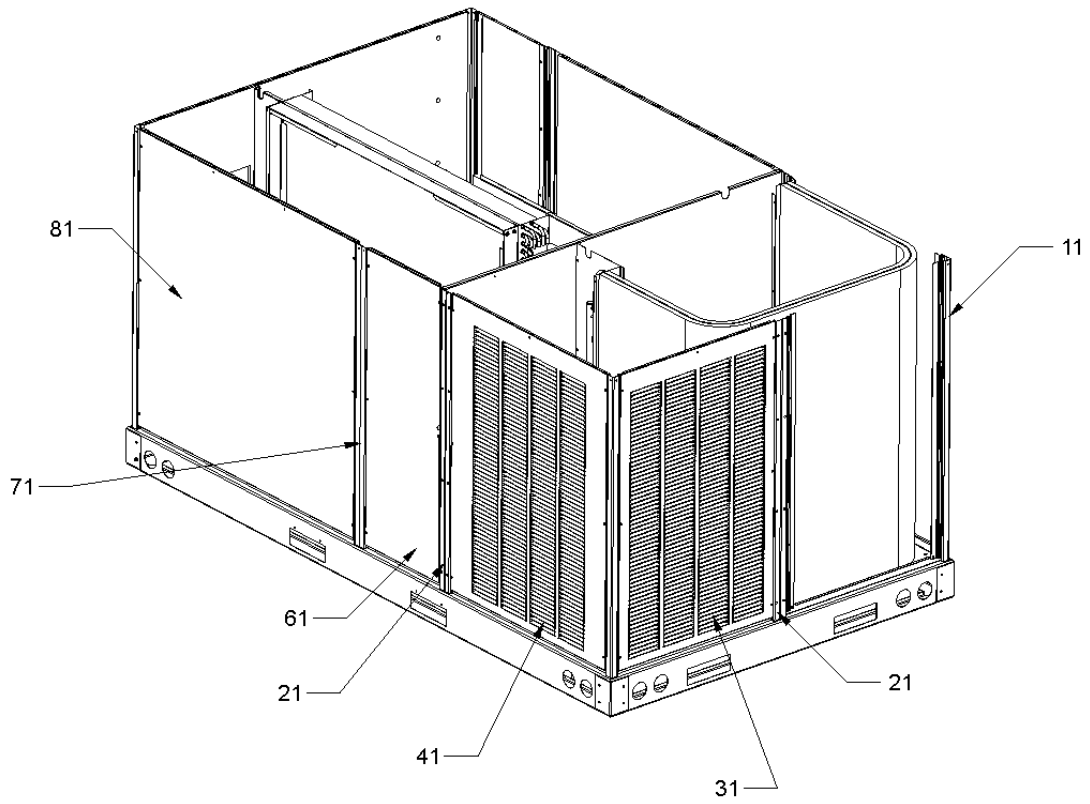
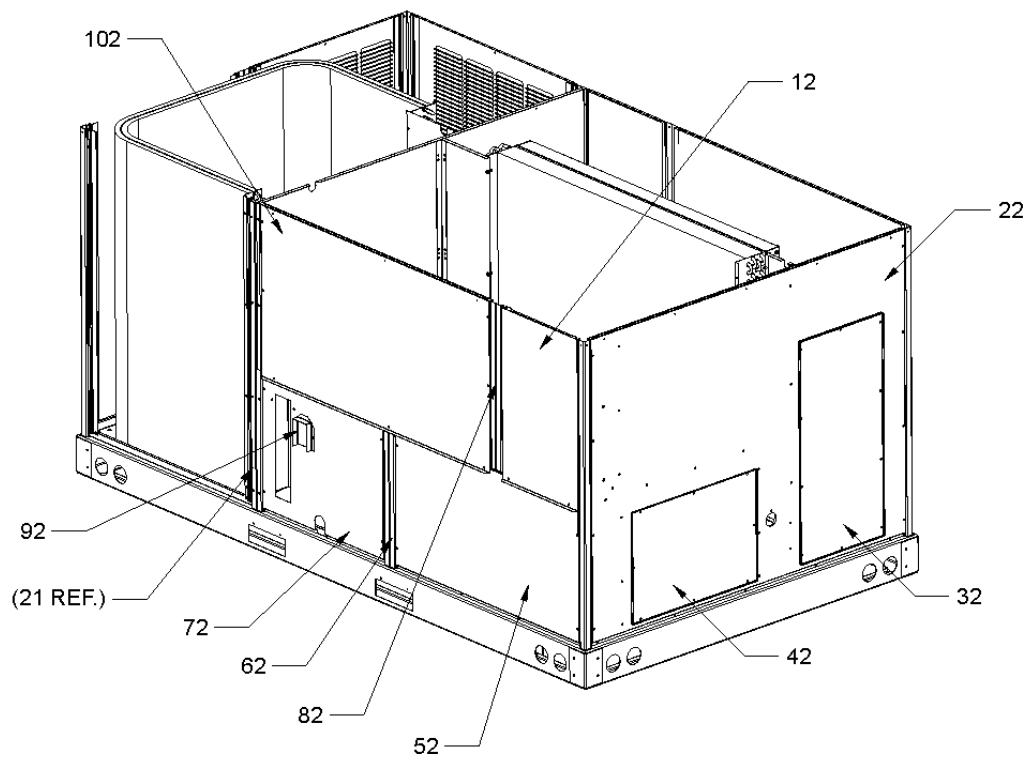


Image 2



Cabinet Assy

Ref. Part No: No:	Description:	Ref. Part No: No:	Description:
-------------------	--------------	-------------------	--------------

Image 1:

11	0121G00253RFDG	CORNER POST 36" (QTY 4)
21	0121G00283RFDG	POST-SIDE SUPPORT (QTY 3)
31	0121L00128DGS	LOUVERED END PANEL
41	0121L00001DGS	LOUVERED SIDE PANEL
61	0270L00004S	INSULATED ASSY, FILTER DOOR
71	0121L00125RFDG	SIDE POST-FILTER DOOR
81	0270L00003S	INSULATED ASSY, ECONOMIZER DOOR
NS	0140L00058	GOODMAN LABEL

Image 2:

12	0121G00294DGS	CONTROL DOOR
22	0270L00001S	INSULATED ASSY, DUCT PANEL
32	0270L00011S	INSULATED ASSY, RETURN DUCT
42	0270L00012S	INSULATED ASSY, SUPPLY DUCT
52	0270L00018S	INSULATED ASSY, HEAT EXCHANGER DOOR
62	0121G00299RFDG	POST-BURNER DOOR
72	0121G00296DGS	BURNER DOOR
82	0121G00298RFDG	CONTROL POST
92	0121L00130DGS	FLUE COLLAR
102	0270L00002S	INSULATED ASSY, BLOWER DOOR
NS	0121L00129S	DOOR RAIN SHIELD

Expanded Model Nomenclature

- M1 - CPG0360704BXSXAA
- M2 - CPG0361054BXSXAA
- M3 - CPG0480704BXSXAA
- M4 - CPG0481054BXSXAA
- M5 - CPG0600703BXJXAA
- M6 - CPG0600703BXXXAA
- M7 - CPG0600703DXJXAA
- M8 - CPG0600703DXXXAA
- M9 - CPG0600704BXJXAA
- M10 - CPG0600704BXSXAA
- M11 - CPG0600704BXXXAA
- M12 - CPG0601403BXJXAA
- M13 - CPG0601403BXXXAA
- M14 - CPG0601403DXJXAA
- M15 - CPG0601403DXXXAA
- M16 - CPG0601404BXJXAA
- M17 - CPG0601404BXSXAA
- M18 - CPG0601404BXXXAA
- M19 - CPG0601407BXJXAA
- M20 - CPG0601407BXXXAA

Partition Assy

Image 1

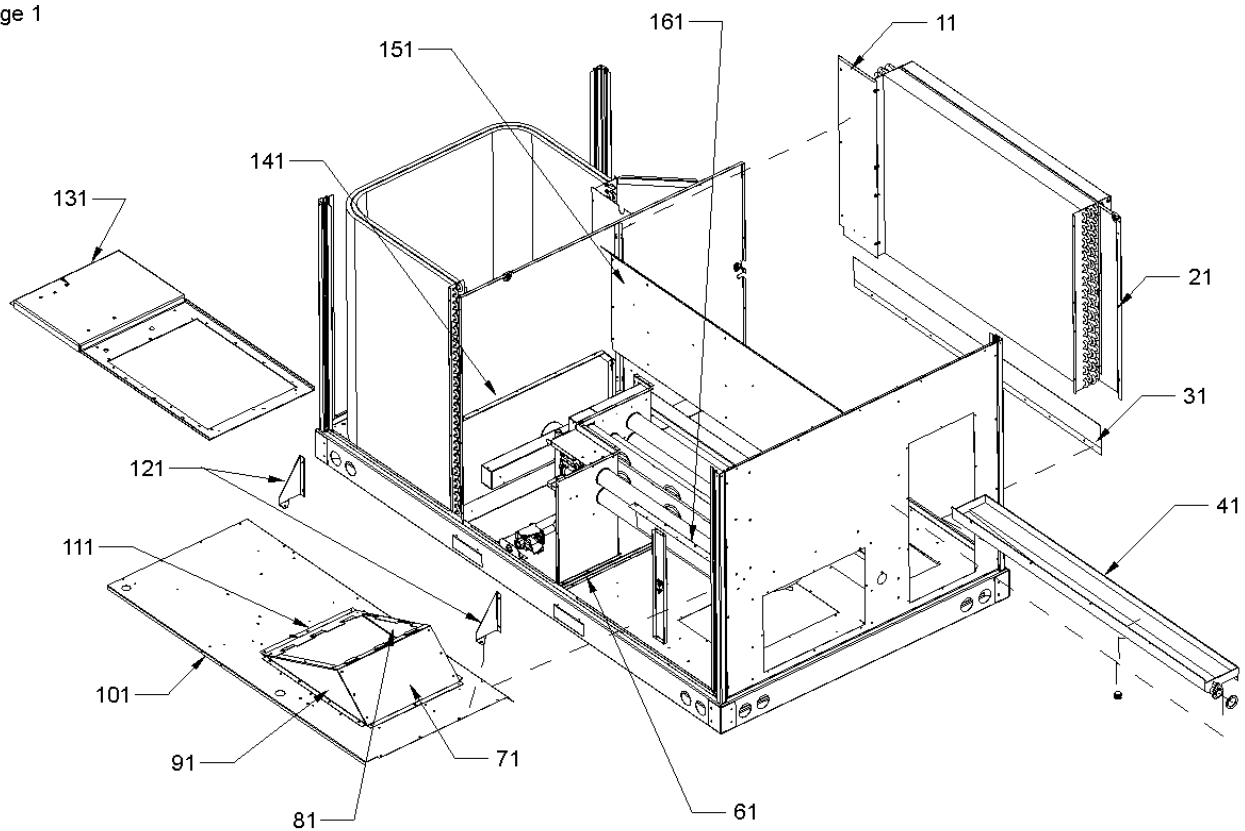
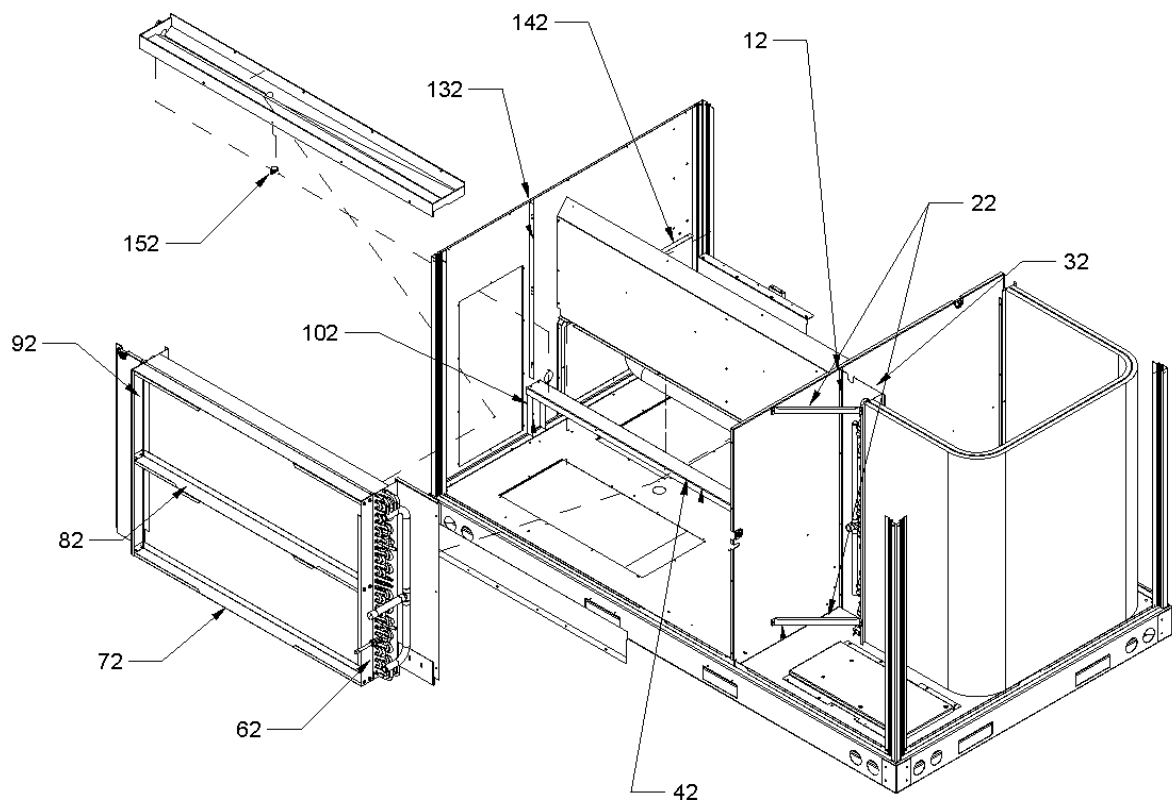


Image 2



Partition Assy

Ref. Part No:	No:	Description:	Ref. Part No:	No:	Description:
<i>Image 1:</i>			Expanded Model Nomenclature		
11	0121L00201	EVAP EXTENSION-HAIRPIN SIDE (M3, M4, M5, M6, M7, M8, M9, M10, M11, M12, M13, M14, M15, M16, M17, M18, M19, M20)	M1 - CPG0360704BXSXAA		
11	0121L00202	EVAP EXTENSION-HAIRPIN SIDE (M1, M2)	M2 - CPG0361054BXSXAA		
21	0121L00212	EVAP EXTENSION-RETURN SIDE	M3 - CPG0480704BXSXAA		
31	0121L00016	EVAP BLOW-OFF SHIELD	M4 - CPG0481054BXSXAA		
41	0161L00001	DRAIN PAN	M5 - CPG0600703BXJXAA		
61	0121G00259	HEAT EXCHANGER BASE	M6 - CPG0600703BXXXAA		
71	0121G00264	BLOWER TRANSITION, RH END	M7 - CPG0600703DXJXAA		
81	0121G00266	BLOWER TRANSITION, BACK	M8 - CPG0600703DXXXAA		
91	0121G00265	BLOWER TRANSITION, FRONT	M9 - CPG0600704BXJXAA		
101	0121L00217	BLOWER DECK	M10 - CPG0600704BXSXAA		
111	0121G00267	BLOWER TRANSITION, LH END	M11 - CPG0600704BXXXAA		
121	0121L00062	EVAP COIL BRACE (QTY 2)	M12 - CPG0601403BXJXAA		
131	0270L00014S	MOUNTING PLATE ASSY (M1, M2, M3, M4, M5, M6, M9, M10, M11, M12, M13, M16, M17, M18, M19, M20)	M13 - CPG0601403BXXXAA		
141	0121L00006	MOUNTING ANGLE-DECK, COND END	M14 - CPG0601403DXJXAA		
151	0121L00003	DECK SIDE CHANNEL	M15 - CPG0601403DXXXAA		
161	0121L00061	BLOWER BAFFLE	M16 - CPG0601404BXJXAA		
NS	0259L00000	COND MOTOR HARNESS (M5, M6, M7, M8, M12, M13, M14, M15, M19, M20)	M17 - CPG0601404BXSXAA		
NS	0259L00023	COND MOTOR HARNESS 460V (M1, M2, M3, M4, M9, M10, M11, M16, M17, M18)	M18 - CPG0601404BXXXAA		
NS	0130M00022	X-13 POWER HARNESS (M7, M8, M14, M15)	M19 - CPG0601407BXJXAA		
<i>Image 2:</i>			M20 - CPG0601407BXXXAA		
12	0121L00008	COND MOUNTING ANGLE			
22	0121L00064	COND COIL BRACE (QTY 2)			
32	0121G00258	COND BLOCK-OFF			
42	0121L00035	DRAIN PAN SUPPORT			
62	0121L00204	FILTER ANGLE-VERTICAL (RETURN SIDE)			
72	0121L00206	FILTER ANGLE-HORIZONTAL (QTY 2)			
82	0121L00220	FILTER RACK STRAP (QTY 2)			
92	0121L00205	FILTER ANGLE-VERTICAL (HAIRPIN SIDE)			
102	0121L00036	SUPPORT LEG, DRAIN PAN			
132	0121L00005	EVAP MOUNTING ANGLE			
142	0121L00007	MOUNTING ANGLE-DECK, DUCT END			
152	0163L00009	DRAIN PLUG			
NS	0160L00008	FILTER 14 X 20 X 2 (QTY 4)			
NS	0121L00037	SUPPORT LEG, DRAIN PAN			

Belt Drive Assy

Image 1

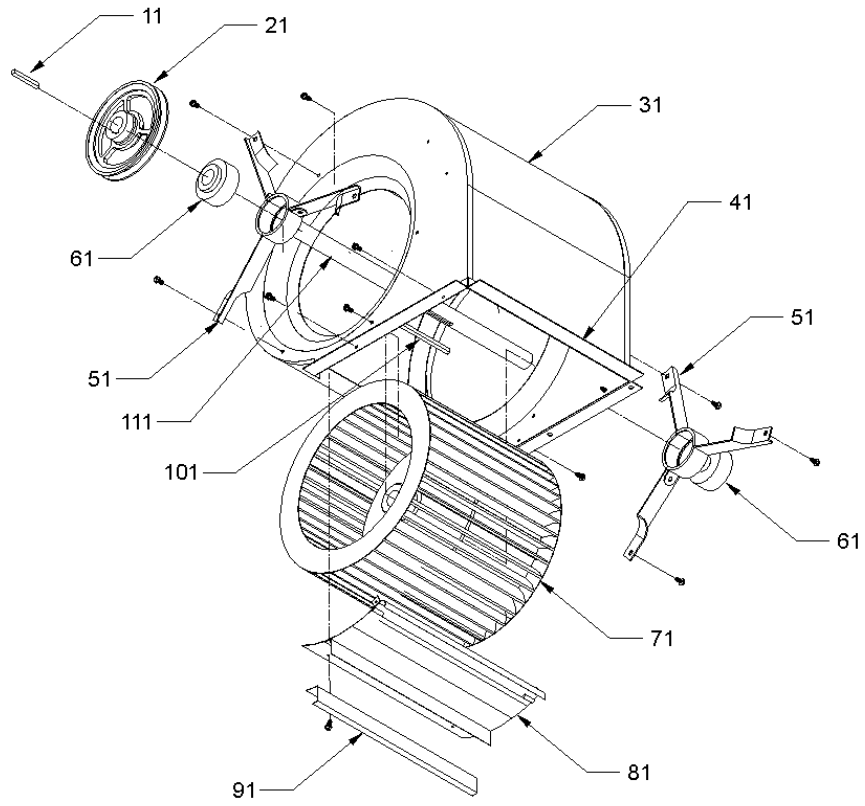
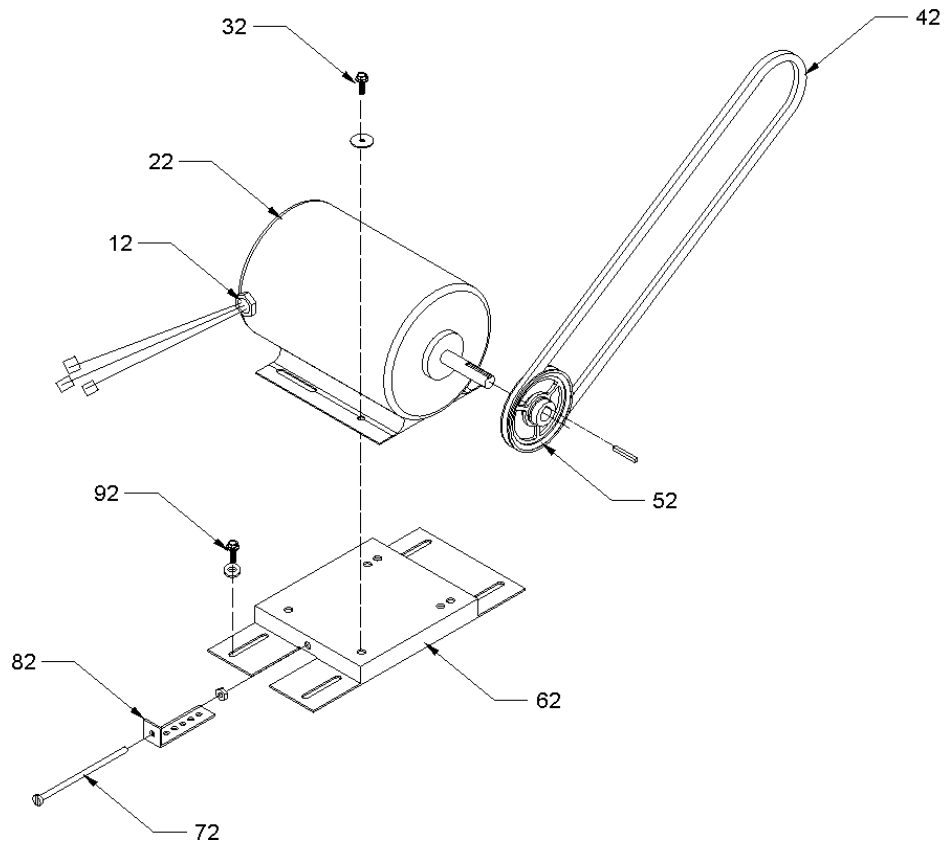


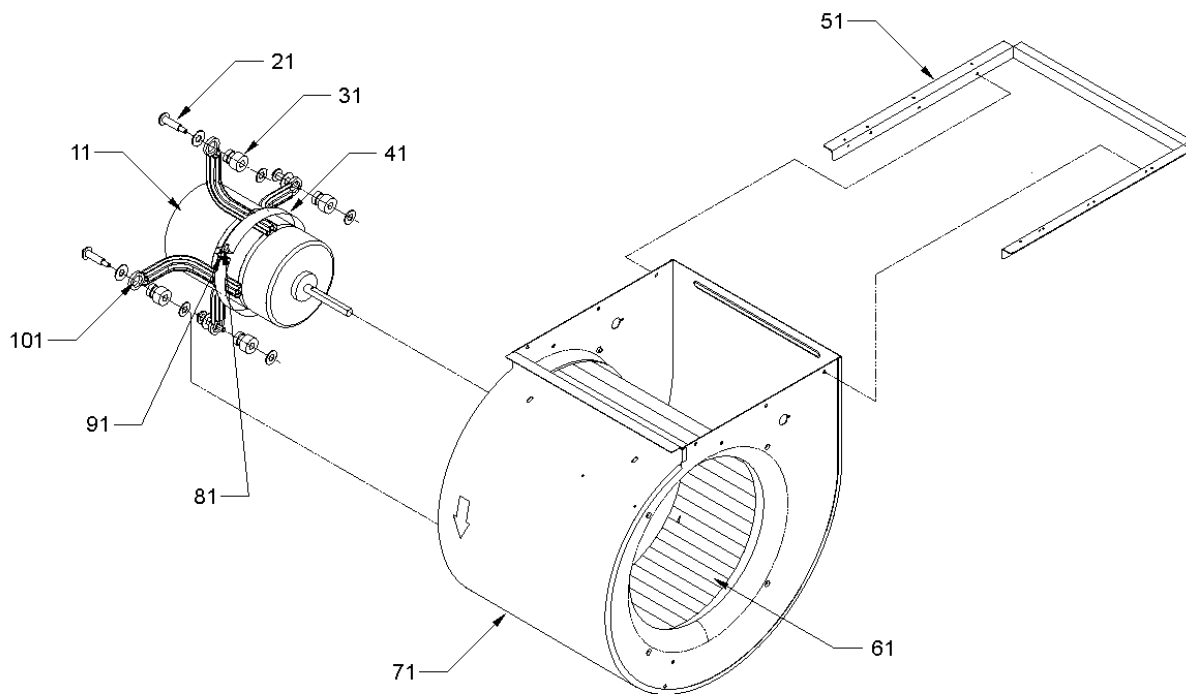
Image 2



Belt Drive Assy

Ref. Part No:	No:	Description:	Ref. Part No:	No:	Description:																				
<i>Image 1:</i>			82	3225000F	BELT TIGHTENER ANGLE (M1, M2, M3, M4, M5, M6, M9, M10, M11, M12, M13, M16, M17, M18, M19, M20)																				
11	B1398604	STEEL KEY (000158812) 2.0" (M1, M2, M3, M4, M5, M6, M9, M10, M11, M12, M13, M16, M17, M18, M19, M20)	92	B1446707	SCREW 5/16-18 X 1" (M1, M2, M3, M4, M5, M6, M9, M10, M11, M12, M13, M16, M17, M18, M19, M20)																				
21	B2120011	FIXED SHEAVE (M1, M2)	Expanded Model Nomenclature																						
21	B3204303	FIXED SHEAVE AK61 (M5, M6, M9, M10, M11, M12, M13, M16, M17, M18, M19, M20)	<table border="1"> <tr><td>M1 - CPG0360704BXSXAA</td></tr> <tr><td>M2 - CPG0361054BXSXAA</td></tr> <tr><td>M3 - CPG0480704BXSXAA</td></tr> <tr><td>M4 - CPG0481054BXSXAA</td></tr> <tr><td>M5 - CPG0600703BXJXAA</td></tr> <tr><td>M6 - CPG0600703BXXXAA</td></tr> <tr><td>M7 - CPG0600703DXJXAA</td></tr> <tr><td>M8 - CPG0600703DXXXAA</td></tr> <tr><td>M9 - CPG0600704BXJXAA</td></tr> <tr><td>M10 - CPG0600704BXSXAA</td></tr> <tr><td>M11 - CPG0600704BXXXAA</td></tr> <tr><td>M12 - CPG0601403BXJXAA</td></tr> <tr><td>M13 - CPG0601403BXXXAA</td></tr> <tr><td>M14 - CPG0601403DXJXAA</td></tr> <tr><td>M15 - CPG0601403DXXXAA</td></tr> <tr><td>M16 - CPG0601404BXJXAA</td></tr> <tr><td>M17 - CPG0601404BXSXAA</td></tr> <tr><td>M18 - CPG0601404BXXXAA</td></tr> <tr><td>M19 - CPG0601407BXJXAA</td></tr> <tr><td>M20 - CPG0601407BXXXAA</td></tr> </table>			M1 - CPG0360704BXSXAA	M2 - CPG0361054BXSXAA	M3 - CPG0480704BXSXAA	M4 - CPG0481054BXSXAA	M5 - CPG0600703BXJXAA	M6 - CPG0600703BXXXAA	M7 - CPG0600703DXJXAA	M8 - CPG0600703DXXXAA	M9 - CPG0600704BXJXAA	M10 - CPG0600704BXSXAA	M11 - CPG0600704BXXXAA	M12 - CPG0601403BXJXAA	M13 - CPG0601403BXXXAA	M14 - CPG0601403DXJXAA	M15 - CPG0601403DXXXAA	M16 - CPG0601404BXJXAA	M17 - CPG0601404BXSXAA	M18 - CPG0601404BXXXAA	M19 - CPG0601407BXJXAA	M20 - CPG0601407BXXXAA
M1 - CPG0360704BXSXAA																									
M2 - CPG0361054BXSXAA																									
M3 - CPG0480704BXSXAA																									
M4 - CPG0481054BXSXAA																									
M5 - CPG0600703BXJXAA																									
M6 - CPG0600703BXXXAA																									
M7 - CPG0600703DXJXAA																									
M8 - CPG0600703DXXXAA																									
M9 - CPG0600704BXJXAA																									
M10 - CPG0600704BXSXAA																									
M11 - CPG0600704BXXXAA																									
M12 - CPG0601403BXJXAA																									
M13 - CPG0601403BXXXAA																									
M14 - CPG0601403DXJXAA																									
M15 - CPG0601403DXXXAA																									
M16 - CPG0601404BXJXAA																									
M17 - CPG0601404BXSXAA																									
M18 - CPG0601404BXXXAA																									
M19 - CPG0601407BXJXAA																									
M20 - CPG0601407BXXXAA																									
21	B3204310	FIXED SHEAVE AK66 (M3, M4)																							
31	2539302FS	BLOWER HOUSING 11 X 10 (M1, M2, M3, M4, M5, M6, M9, M10, M11, M12, M13, M16, M17, M18, M19, M20)																							
41	0121L00022S	BLOWER MOUNTING ANGLE (M1, M2, M3, M4, M5, M6, M9, M10, M11, M12, M13, M16, M17, M18, M19, M20)																							
51	B3201300	MOUNTING BRACKET BEARING (M1, M2, M3, M4, M5, M6, M9, M10, M11, M12, M13, M16, M17, M18, M19, M20)																							
61	B1399500	BALL BEARING 1.00" (M1, M2, M3, M4, M5, M6, M9, M10, M11, M12, M13, M16, M17, M18, M19, M20)																							
71	B1368056	BELT DRIVE BLOWER WHEEL (M1, M2, M3, M4, M5, M6, M9, M10, M11, M12, M13, M16, M17, M18, M19, M20)																							
81	1864700F	BELT DRIVE BLOWER CUT-OFF (M1, M2, M3, M4, M5, M6, M9, M10, M11, M12, M13, M16, M17, M18, M19, M20)																							
91	0121L00050	BLOWER MOUNTING BRACKET (M1, M2, M3, M4, M5, M6, M9, M10, M11, M12, M13, M16, M17, M18, M19, M20)																							
101	B1398603	STEEL KEY (000158812) 4.5" (M1, M2, M3, M4, M5, M6, M9, M10, M11, M12, M13, M16, M17, M18, M19, M20)																							
111	0163L00005	BELT DRIVE BLOWER SHAFT (M1, M2, M3, M4, M5, M6, M9, M10, M11, M12, M13, M16, M17, M18, M19, M20)																							
NS	0259L00008	MOTOR HARNESS-BELT DRIVE (M1, M2, M3, M4, M5, M6, M9, M10, M11, M12, M13, M16, M17, M18, M19, M20)																							
<i>Image 2:</i>																									
12	B1393726	ELECT. CONNECTING BUSHING (M1, M2, M3, M4, M5, M6, M9, M10, M11, M12, M13, M16, M17, M18, M19, M20)																							
22	0131L00003S	BELT DRIVE MOTOR 1 HP (M1, M2, M3, M4, M5, M6, M9, M10, M11, M12, M13, M16, M17, M18)																							
22	0131L00004S	BELT DRIVE MOTOR 1.5 HP 575V (M19, M20)																							
32	B1393738	BOLT 1/4-20 X 3/4" (M1, M2, M3, M4, M5, M6, M9, M10, M11, M12, M13, M16, M17, M18, M19, M20)																							
42	B2110011	FAN BELT AX41 (M1, M2)																							
42	B2110005	NOTCHED FAN BELT (M3, M4, M5, M6, M9, M10, M11, M12, M13, M16, M17, M18, M19, M20)																							
52	0163L00024	VARIABLE PITCH SHEAVE 1VL40 X 5/8" (M1, M2)																							
52	B2120001	VARIABLE PITCH SHEAVE 1VL44 X 3/8" (M3, M4, M5, M6, M9, M10, M11, M12, M13, M16, M17, M18, M19, M20)																							
62	0270L00046S	MOTOR BASE ASSY (M1, M2, M3, M4, M5, M6, M9, M10, M11, M12, M13, M16, M17, M18, M19, M20)																							
72	0163M00045	BOLT 1/4-20 X 4" (M1, M2, M3, M4, M5, M6, M9, M10, M11, M12, M13, M16, M17, M18, M19, M20)																							

Direct Drive Blower Assy



Direct Drive Blower Assy

Ref. Part No:	Part No:	Description:	Ref. Part No:	Part No:	Description:
---------------	----------	--------------	---------------	----------	--------------

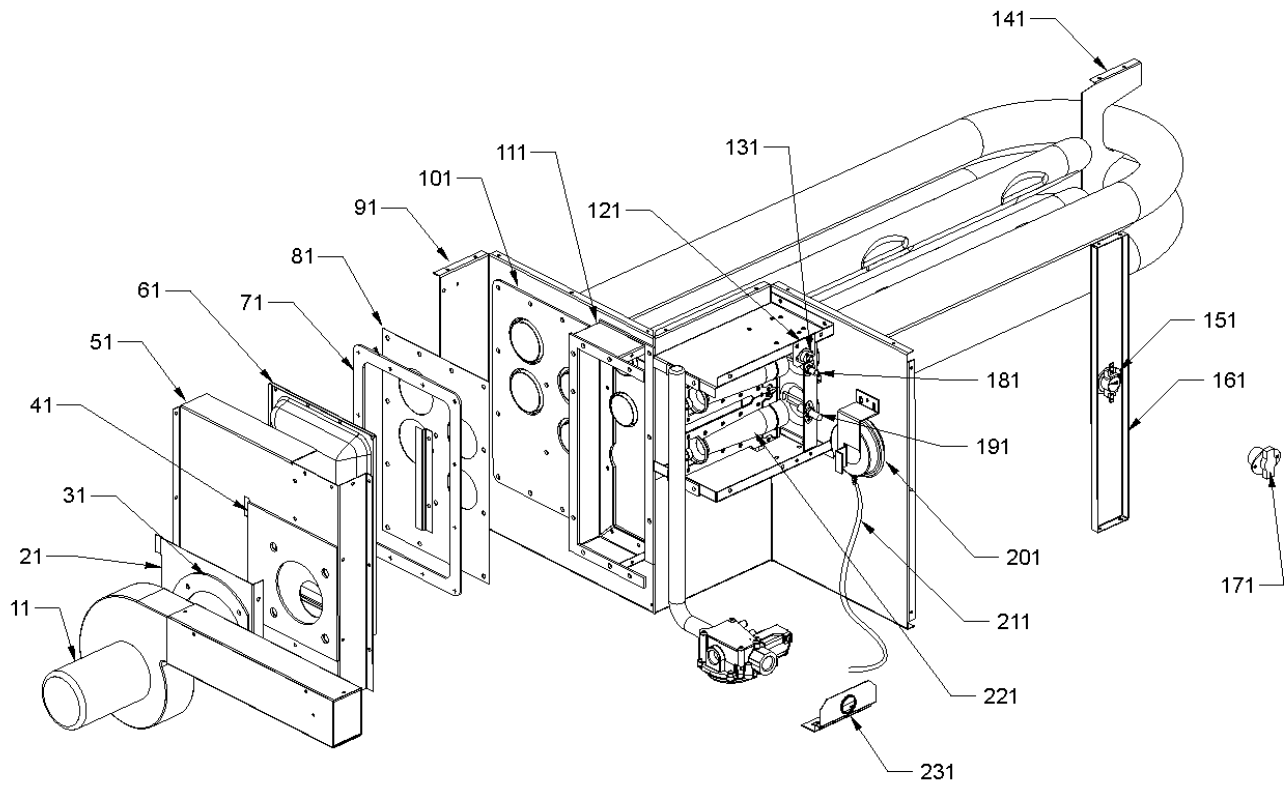
Image 1:

11	0131L00000S	BLOWER MOTOR 1 HP PROGRAMMED X13 (M7, M8, M14, M15)
21	M0221461	TC SCREW (M7, M8, M14, M15)
31	A4002702	BLOWER MOTOR GROMMET (M7, M8, M14, M15)
41	10441601	MOTOR MOUNT BAND (M7, M8, M14, M15)
51	0121L00022S	BLOWER MOUNTING ANGLE (M7, M8, M14, M15)
61	0150L00000S	BLOWER WHEEL (M7, M8, M14, M15)
71	11185811	BLOWER HOUSING 11 X 10 (M7, M8, M14, M15)
81	M0282015	KEPS NUT (M7, M8, M14, M15)
91	M0267144	MACHINE SCREW (M7, M8, M14, M15)
101	10441501	MOTOR MOUNT ARM (M7, M8, M14, M15)
NS	C6121807	BLOWER CUT-OFF (M7, M8, M14, M15)

Expanded Model Nomenclature

M1 - CPG0360704BXSXAA
M2 - CPG0361054BXSXAA
M3 - CPG0480704BXSXAA
M4 - CPG0481054BXSXAA
M5 - CPG0600703BXJXAA
M6 - CPG0600703BXXXAA
M7 - CPG0600703DXJXAA
M8 - CPG0600703DXXXAA
M9 - CPG0600704BXJXAA
M10 - CPG0600704BXSXAA
M11 - CPG0600704BXXXAA
M12 - CPG0601403BXJXAA
M13 - CPG0601403BXXXAA
M14 - CPG0601403DXJXAA
M15 - CPG0601403DXXXAA
M16 - CPG0601404BXJXAA
M17 - CPG0601404BXSXAA
M18 - CPG0601404BXXXAA
M19 - CPG0601407BXJXAA
M20 - CPG0601407BXXXAA

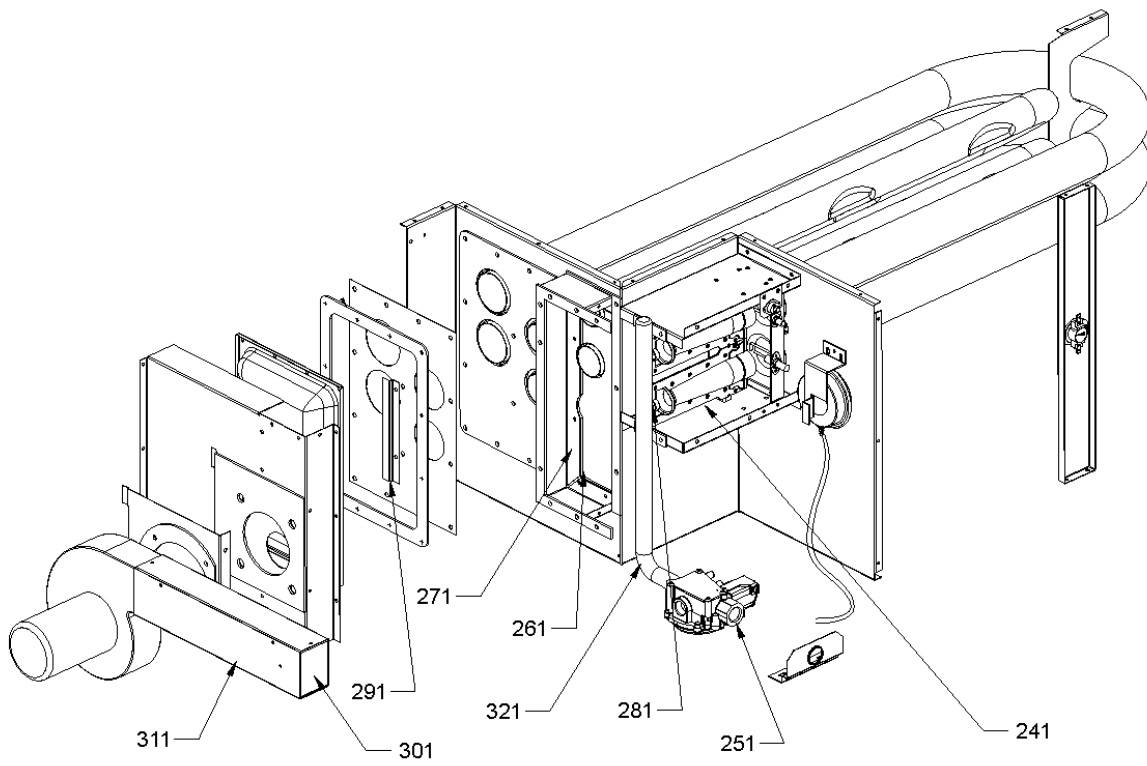
Heat Exchanger



Heat Exchanger

Ref. Part No:	No:	Description:	Ref. Part No:	No:	Description:																				
<i>Image 1:</i>			171	B1370166	AUXILIARY LIMIT-TEMPERATURE CONTROL (M1, M2, M3, M4, M5, M6, M9, M10, M11, M12, M13, M16, M17, M18, M19, M20)																				
11	0131L00002S	VENT MOTOR	181	0130F00010	FLAME SENSOR																				
21	0121L00044	MOUNTING PLATE-ID BLOWER (M12, M13, M14, M15, M16, M17, M18, M19, M20)	191	0130F00014S	IGNITOR																				
21	0121L00078	MOUNTING PLATE-ID BLOWER (M1, M3, M5, M6, M7, M8, M9, M10, M11)	201	11112501S	PRESSURE SWITCH																				
21	0121L00079	MOUNTING PLATE-ID BLOWER (M2, M4)	211	A3468601	PRESSURE SWITCH HOSE (QTY 3)																				
31	0154L00007	GASKET, BLOWER/ORIFICE PLATE	211	A3468601	PRESSURE SWITCH HOSE (QTY 2)																				
41	0154L00006	GASKET, COLLECTOR/ORIFICE PLATE	221	0163L00000	BECKETT BURNER (QTY AR)																				
51	0121G00303	COLLECTOR BOX COVER (M12, M13, M14, M15, M16, M17, M18, M19, M20)	231	0121L00126	PIPE BRACKET-GAS VALVE																				
51	0121L00015	COLLECTOR BOX COVER (M1, M2, M3, M4, M5, M6, M7, M8, M9, M10, M11)	Expanded Model Nomenclature																						
61	20167201	REAR COVER, HEAT EXCHANGER (M1, M2, M3, M4, M5, M6, M7, M8, M9, M10, M11)	<table border="1"> <tr><td>M1 - CPG0360704BXSXAA</td></tr> <tr><td>M2 - CPG0361054BXSXAA</td></tr> <tr><td>M3 - CPG0480704BXSXAA</td></tr> <tr><td>M4 - CPG0481054BXSXAA</td></tr> <tr><td>M5 - CPG0600703BXJXAA</td></tr> <tr><td>M6 - CPG0600703BXXAA</td></tr> <tr><td>M7 - CPG0600703DXJXAA</td></tr> <tr><td>M8 - CPG0600703DXXXAA</td></tr> <tr><td>M9 - CPG0600704BXJXAA</td></tr> <tr><td>M10 - CPG0600704BXSXAA</td></tr> <tr><td>M11 - CPG0600704BXXXAA</td></tr> <tr><td>M12 - CPG0601403BXJXAA</td></tr> <tr><td>M13 - CPG0601403BXXXAA</td></tr> <tr><td>M14 - CPG0601403DXJXAA</td></tr> <tr><td>M15 - CPG0601403DXXXAA</td></tr> <tr><td>M16 - CPG0601404BXJXAA</td></tr> <tr><td>M17 - CPG0601404BXSXAA</td></tr> <tr><td>M18 - CPG0601404BXXXAA</td></tr> <tr><td>M19 - CPG0601407BXJXAA</td></tr> <tr><td>M20 - CPG0601407BXXXAA</td></tr> </table>			M1 - CPG0360704BXSXAA	M2 - CPG0361054BXSXAA	M3 - CPG0480704BXSXAA	M4 - CPG0481054BXSXAA	M5 - CPG0600703BXJXAA	M6 - CPG0600703BXXAA	M7 - CPG0600703DXJXAA	M8 - CPG0600703DXXXAA	M9 - CPG0600704BXJXAA	M10 - CPG0600704BXSXAA	M11 - CPG0600704BXXXAA	M12 - CPG0601403BXJXAA	M13 - CPG0601403BXXXAA	M14 - CPG0601403DXJXAA	M15 - CPG0601403DXXXAA	M16 - CPG0601404BXJXAA	M17 - CPG0601404BXSXAA	M18 - CPG0601404BXXXAA	M19 - CPG0601407BXJXAA	M20 - CPG0601407BXXXAA
M1 - CPG0360704BXSXAA																									
M2 - CPG0361054BXSXAA																									
M3 - CPG0480704BXSXAA																									
M4 - CPG0481054BXSXAA																									
M5 - CPG0600703BXJXAA																									
M6 - CPG0600703BXXAA																									
M7 - CPG0600703DXJXAA																									
M8 - CPG0600703DXXXAA																									
M9 - CPG0600704BXJXAA																									
M10 - CPG0600704BXSXAA																									
M11 - CPG0600704BXXXAA																									
M12 - CPG0601403BXJXAA																									
M13 - CPG0601403BXXXAA																									
M14 - CPG0601403DXJXAA																									
M15 - CPG0601403DXXXAA																									
M16 - CPG0601404BXJXAA																									
M17 - CPG0601404BXSXAA																									
M18 - CPG0601404BXXXAA																									
M19 - CPG0601407BXJXAA																									
M20 - CPG0601407BXXXAA																									
61	20167202	REAR COVER, HEAT EXCHANGER (M12, M13, M14, M15, M16, M17, M18, M19, M20)																							
71	22320701	REAR COVER GASKET, HEAT EXCHANGER (M1, M2, M3, M4, M5, M6, M7, M8, M9, M10, M11)																							
71	22320702	REAR COVER GASKET, HEAT EXCHANGER (M12, M13, M14, M15, M16, M17, M18, M19, M20)																							
81	0121L00131	PLATE-2 TUBE PANEL (M1, M3, M5, M6, M7, M8, M9, M10, M11)																							
81	0121L00158	PLATE-3 TUBE PANEL (M2, M4)																							
81	0121L00132	PLATE-4 TUBE PANEL (M12, M13, M14, M15, M16, M17, M18, M19, M20)																							
91	0270L00021S	HEAT EXCHANGER ASSY 2B (M5, M6, M7, M8, M9, M11)																							
91	0270L00076S	HEAT EXCHANGER ASSY 2B (M1, M3, M10)																							
91	0270L00077S	HEAT EXCHANGER ASSY 3B (M2, M4)																							
91	0270L00007S	HEAT EXCHANGER ASSY 4B (M12, M13, M14, M15, M16, M18, M19, M20)																							
91	0270L00078S	HEAT EXCHANGER ASSY 4B (M17)																							
101	0154L00013	TUBE PLATE GASKET, HEAT EXCHANGER (M1, M3, M5, M6, M7, M8, M9, M10, M11)																							
101	0154L00014	TUBE PLATE GASKET, HEAT EXCHANGER (M12, M13, M14, M15, M16, M17, M18, M19, M20)																							
101	0154L00016	TUBE PLATE GASKET, HEAT EXCHANGER (M2, M4)																							
111	0121G00304	COLLECTOR BOX CHANNEL (M12, M13, M14, M15, M16, M17, M18, M19, M20)																							
111	0121L00014	COLLECTOR BOX CHANNEL (M1, M2, M3, M4, M5, M6, M7, M8, M9, M10, M11)																							
121	0121L00053	FLAME ROLLOUT BRACKET																							
131	10123532	MANUAL RESET LIMIT 300°F																							
141	0121L00046	HEAT EXCHANGER TUBES SUPPORT (M12, M13, M14, M15, M16, M17, M18, M19, M20)																							
141	0121L00047	HEAT EXCHANGER TUBES SUPPORT (M2, M4)																							
141	0121L00048	HEAT EXCHANGER TUBES SUPPORT (M1, M3, M5, M6, M7, M8, M9, M10, M11)																							
151	B1370189	PRIMARY LIMIT SWITCH 200°F																							
161	0121L00056	POST-LIMIT SWITCH																							
171	20269903	AUXILIARY LIMIT, AUTO RESET (M7, M8, M14, M15)																							

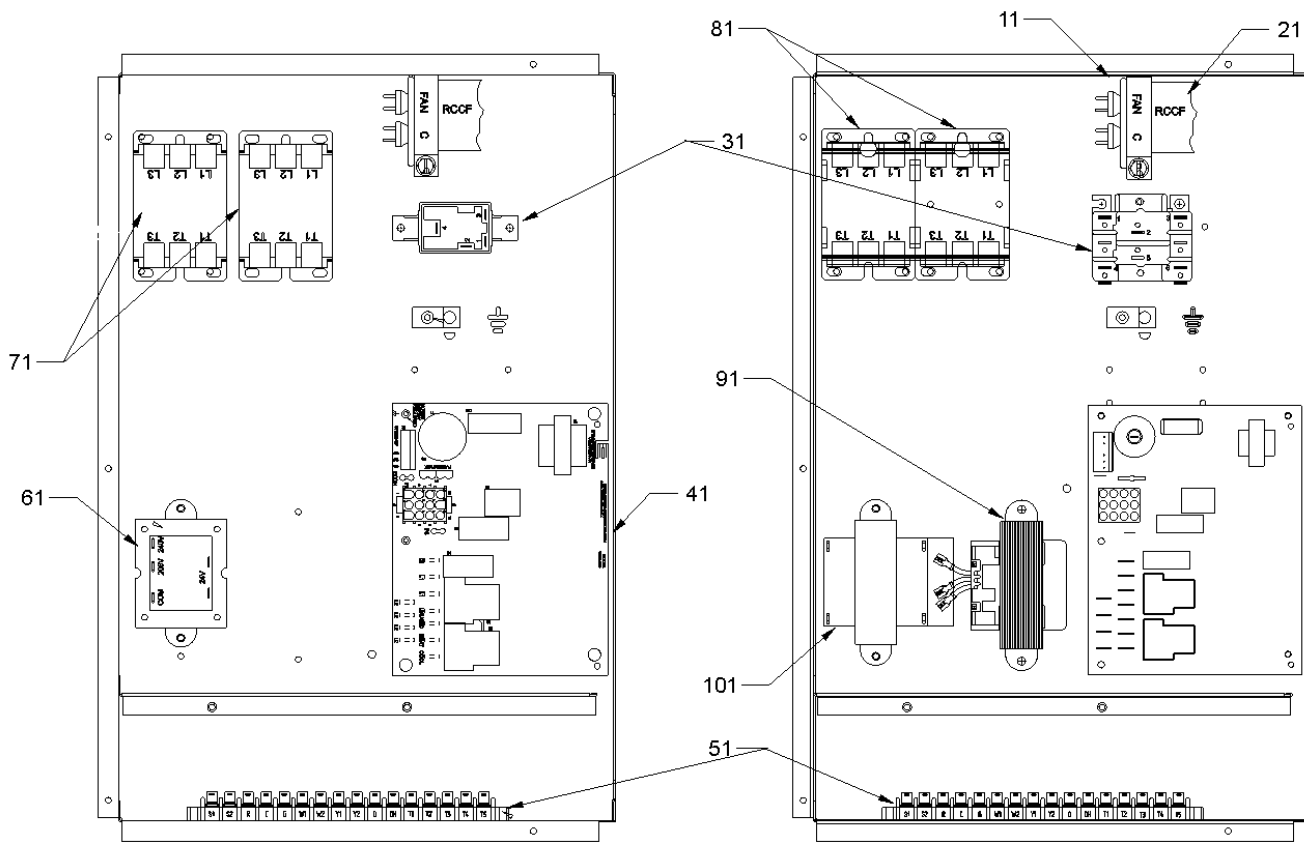
Heat Exchanger (Cont'd)



Heat Exchanger (Cont'd)

Ref. Part No:	No:	Description:	Ref. Part No:	No:	Description:
<i>Image 1:</i>			Expanded Model Nomenclature		
241	0121G00291	BURNER BRACKET 2B (M1, M3, M5, M6, M7, M8, M9, M10, M11)	M1 -	CPG0360704BXSXAA	
241	0121G00269	BURNER BRACKET 3B (M2, M4)	M2 -	CPG0361054BXSXAA	
241	0121G00292	BURNER BRACKET 4B (M12, M13, M14, M15, M16, M17, M18, M19, M20)	M3 -	CPG0480704BXSXAA	
251	B1282628	GAS VALVE (36G)	M4 -	CPG0481054BXSXAA	
261	0154L00000	INNER GASKET, COLLECTOR BOX (M12, M13, M14, M15, M16, M17, M18, M19, M20)	M5 -	CPG0600703BXJXAA	
261	0154L00002	INNER GASKET, COLLECTOR BOX (M1, M2, M3, M4, M5, M6, M7, M8, M9, M10, M11)	M6 -	CPG0600703BXXXAA	
271	0154L00001	OUTER GASKET, COLLECTOR BOX (M12, M13, M14, M15, M16, M17, M18, M19, M20)	M7 -	CPG0600703DXJXAA	
271	0154L00003	OUTER GASKET, COLLECTOR BOX (M1, M2, M3, M4, M5, M6, M7, M8, M9, M10, M11)	M8 -	CPG0600703DXXXAA	
281	0163L00007	#34 ORIFICE (QTY AR)	M9 -	CPG0600704BXJXAA	
291	0121L00020	RESTRICTOR-TUBE (M12, M13, M14, M15, M16, M17, M18, M19, M20)	M10 -	CPG0600704BXSXAA	
291	0121L00021	RESTRICTOR-TUBE (M1, M2, M3, M4, M5, M6, M7, M8, M9, M10, M11)	M11 -	CPG0600704BXXXAA	
301	0163L00006	FLUE SCREEN	M12 -	CPG0601403BXJXAA	
311	0121L00049	HEAT EXCHANGER FLUE (QTY 2)	M13 -	CPG0601403BXXXAA	
321	0163L00002	MANIFOLD - 2 BRNR (M1, M3, M5, M6, M7, M8, M9, M10, M11)	M14 -	CPG0601403DXJXAA	
321	0163L00003	MANIFOLD - 3 BRNR (M2, M4)	M15 -	CPG0601403DXXXAA	
321	0163L00004	MANIFOLD - 4 BRNR (M12, M13, M14, M15, M16, M17, M18, M19, M20)	M16 -	CPG0601404BXJXAA	
NS	0163G00001	NOX SCREEN-COMML PKG (QTY AR)	M17 -	CPG0601404BXSXAA	
NS	B1392609	SEAL STRIP, RED, 1/8 X 1/2 X 100 (QTY 3)	M18 -	CPG0601404BXXXAA	
NS	0259L00040	VENT MOTOR HARNESS	M19 -	CPG0601407BXJXAA	
			M20 -	CPG0601407BXXXAA	

Control Panel



Control Panel

Ref. Part No:	Ref. Part No:	Description:	Description:
<i>Image 1:</i>			
11	20520901	CAPACITOR STRAP	
21	CAP050000370VAS	CAPACITOR 5/370V	
31	0130M00025S	24V RELAY	
41	PCBAG123S	IGNITION BOARD, DSI INTEGRATED	
51	0130M00038S	TERMINAL BOARD	
61	B1141643	TRANSFORMER 208/230, 24V (M5, M6, M7, M8, M12, M13, M14, M15)	
71	CONT3P030024VS	CONTACTOR 30 AMP, 3P, 24V (M5, M6, M7, M8, M12, M13, M14, M15)	
81	CONT3P025024VS	CONTACTOR 25 AMP, 3P, 24V (M1, M2, M3, M4, M9, M10, M11, M16, M17, M18, M19, M20)	
91	B1141663	TRANSFORMER 460V TO 23V, 150 VA (M1, M2, M3, M4, M9, M10, M11, M16, M17, M18)	
91	0130M00044S	TRANSFORMER 575/230V (M19, M20)	
101	B1141653	TRANSFORMER 480V, 75VA, RESETTABLE (M1, M2, M3, M4, M9, M10, M11, M16, M17, M18)	
101	0130M00045S	TRANSFORMER 575/24V (M19, M20)	
NS	0259L00011	ECONOMIZER HARNESS	
NS	0259L00016	HARNESS, CONTROL 460V/575V GAS (M1, M2, M3, M4, M9, M10, M11, M16, M17, M18, M19, M20)	
NS	0259L00007	HARNESS-CONTROL 230V GAS (M7, M8, M14, M15)	
NS	0259L00017	HARNESS-CONTROL 230V GAS-B (M5, M6, M12, M13)	
NS	0259L00009	IGNITION BOARD HARNESS	
NS	0130M00021	WIRE HARNESS, X-13 LOW VOLTAGE (M7, M8, M14, M15)	

Expanded Model Nomenclature

- M1 - CPG0360704BXSXAA
- M2 - CPG0361054BXSXAA
- M3 - CPG0480704BXSXAA
- M4 - CPG0481054BXSXAA
- M5 - CPG0600703BXJXAA
- M6 - CPG0600703BXXXAA
- M7 - CPG0600703DXJXAA
- M8 - CPG0600703DXXXAA
- M9 - CPG0600704BXJXAA
- M10 - CPG0600704BXSXAA
- M11 - CPG0600704BXXXAA
- M12 - CPG0601403BXJXAA
- M13 - CPG0601403BXXXAA
- M14 - CPG0601403DXJXAA
- M15 - CPG0601403DXXXAA
- M16 - CPG0601404BXJXAA
- M17 - CPG0601404BXSXAA
- M18 - CPG0601404BXXXAA
- M19 - CPG0601407BXJXAA
- M20 - CPG0601407BXXXAA