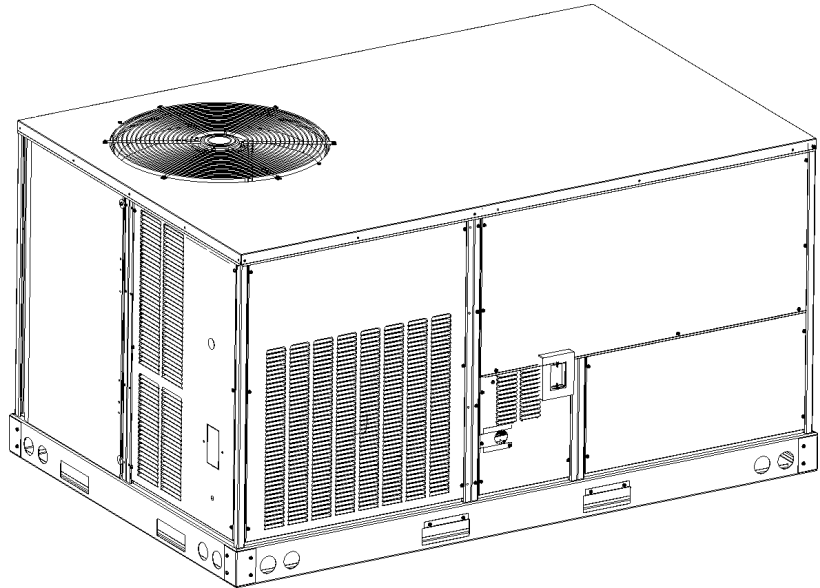


# REPAIR PARTS

## Commercial 4 Ton Package Gas Units

CPG0480903BAABBA  
CPG0480903BHXJBA  
CPG0480903BHXNBA  
CPG0480903BXJXBA  
CPG0480903BXSXBA  
CPG0480903BXXBBA  
CPG0480903BXXXBA  
CPG0480903HXXXBA  
CPG0480904BHXUBA  
CPG0480904BXJXBA  
CPG0480904BXSXBA  
CPG0480904BXXBBA  
CPG0480904BXXEBA  
CPG0480904BXXXBA  
CPG0481153BXJXBA  
CPG0481153BXSXBA  
CPG0481153BXXBBA  
CPG0481153BXXXBA  
CPG0481153HAAXBBA  
CPG0481153HACMBA  
CPG0481154BAAXBBA  
CPG0481154BXJXBA  
CPG0481154BXSXBA  
CPG0481154BXXXBA  
CPG0481154HAAXBBA  
CPG0481157BXJXBA  
CPG0481157BXSXBA  
CPG0481157BXXXBA  
CPG0481157HAXXBA  
CPG0481404BXXXBA



This manual is to be used by qualified technicians only.

This manual replaces RP-529G.

© 2008,2012-2016 Goodman Manufacturing Company, L.P. ♦ 5151 San Felipe St., Suite 500 ♦ Houston, TX 77056

# Important Information

---

## Index

Functional Parts List .....	3
Illustration and Parts .....	4 - 15

*Views shown are for parts illustrations only, not servicing procedures*

### Text Codes:

AR - As Required

NA - Not Available

NS - Not Shown

00000000 - See Note

QTY - Quantity Example (QTY 3) (If Quantity not shown, Quantity = 1)

M - Model Example (M1) (If M Code not shown, then part is used on all Models)

### Expanded Model Nomenclature:

Example M1 - Model#1 M2 - Model#2 M3 - Model#3
---

Goodman Manufacturing Company, L.P. is not responsible for personal injury or property damage resulting from improper service. Review all service information before beginning repairs.

Warranty service must be performed by an authorized technician, using authorized factory parts. If service is required after the warranty expires, Goodman Manufacturing Company, L.P. also recommends contacting an authorized technician and using authorized factory parts.

Goodman Manufacturing Company, L.P. reserves the right to discontinue, or change at any time, specifications or designs without notice or without incurring obligations.

For assistance within the U.S.A. contact:  
Consumer Affairs Department  
Goodman Manufacturing Company, L.P.  
7401 Security Way  
Houston, Texas 77040  
877-254-4729-Telephone  
713-863-2382-Facsimile

For assistance outside the U.S.A. contact:  
International Division  
Goodman Manufacturing Company, L.P.  
7401 Security Way  
Houston, Texas 77040  
713-861-2500-Telephone  
713-863-2382-Facsimile

# Functional Parts

**Part No:**            **Description:**

Part No:	Description:	Expanded Model Nomenclature
0130M00025	24V RELAY	M1 - CPG0480903BAABBA
0131L00003	BELT DRIVE MOTOR 1 HP (M1, M2, M3, M4, M5, M6, M7, M9, M10, M11, M12, M13, M14, M15, M16, M17, M18, M21, M22, M23, M24, M30)	M2 - CPG0480903BHJXBA M3 - CPG0480903BHXNBA
B3240007	BELT DRIVE MOTOR 1.5 HP (M8, M19, M20, M25)	M4 - CPG0480903BXJXBA
0131L00004	BELT DRIVE MOTOR 1.5 HP 575V (M26, M27, M28, M29)	M5 - CPG0480903BXSXBA M6 - CPG0480903BXXBBA
CAP050000370LA	CAPACITOR 5/370V	M7 - CPG0480903BXXXBA
ZP39K5ETF5130	COMPRESSOR 39000, 200/230/60/3 (M1, M2, M3, M4, M5, M6, M7, M8, M15, M16, M17, M18, M19, M20)	M8 - CPG0480903HXXXBA M9 - CPG0480904BHXUBA
ZP39K5ETFD130	COMPRESSOR 39000, 460/60/3 (M9, M10, M11, M12, M13, M14, M21, M22, M23, M24, M25, M30)	M10 - CPG0480904BXJXBA M11 - CPG0480904BXSXBA
ZP39K5ETFE130	COMPRESSOR 39000, 575/60/3 (M26, M27, M28, M29)	M12 - CPG0480904BXXBBA M13 - CPG0480904BXXEBA
0131M00429	COND MOTOR 1/4 HP, 1 SP, 6 PL (M1, M2, M3, M4, M5, M6, M7, M8, M15, M16, M17, M18, M19, M20)	M14 - CPG0480904BXXXBA M15 - CPG0481153BXJXBA
B13400269	COND MOTOR 380/460 50/60 CYCLE (M9, M10, M11, M12, M13, M14, M21, M22, M23, M24, M25, M30)	M16 - CPG0481153BXSXBA M17 - CPG0481153BXXBBA
0131M00098	COND MOTOR 575V (M26, M27, M28, M29)	M18 - CPG0481153BXXXBA M19 - CPG0481153HAAXBBA
CONT3P025024V	CONTACTOR 25 AMP, 3P, 24V (M9, M10, M11, M12, M13, M14, M21, M22, M23, M24, M25, M26, M27, M28, M29, M30)	M20 - CPG0481153HACMBA M21 - CPG0481154BAAXBBA
CONT3P030024V	CONTACTOR 30 AMP, 3P, 24V (M1, M2, M3, M4, M5, M6, M7, M8, M15, M16, M17, M18, M19, M20)	M22 - CPG0481154BXJXBA M23 - CPG0481154BXSXBA
0130M00209	CUT-OUT SWITCH, HIGH PRESSURE	M24 - CPG0481154BXXXBA M25 - CPG0481154HAAXBBA
0130L00007	CUT-OUT SWITCH, LOW PRESSURE	M26 - CPG0481157BXJXBA M27 - CPG0481157BXSXBA
0164L00010	FAN BELT, NOTCHED	M28 - CPG0481157BXXXBA M29 - CPG0481157HAXBBA
0150G00001	FAN BLADE	M30 - CPG0481404BXXXBA
0151F00000P	GAS VALVE - WHITE-RODGERS 2-STAGE	
PCBAG123	IGNITION BOARD, DSI INTEGRATED	
20261709	IGNITOR	
10123532	MANUAL RESET LIMIT 350°F	
11112501	PRESSURE SWITCH	
0130M00063	PRIMARY LIMIT - GOLD 140° (M1, M2, M3, M4, M5, M6, M7, M8, M9, M10, M11, M12, M13, M14, M15, M16, M17, M18, M19, M20, M21, M22, M23, M24, M25, M26, M27, M28, M29)	
0130F00037	PRIMARY LIMIT - GRAY 150° (M15, M16, M17, M18, M19, M20, M21, M22, M23, M24, M25, M26, M27, M28, M29)	
0130F00035	PRIMARY LIMIT - PURPLE 220° (M30)	
20162905	PRIMARY LIMIT-YELLOW (M1, M2, M3, M4, M5, M6, M7, M8, M9, M10, M11, M12, M13, M14, M30)	
0130M00038	TERMINAL BOARD	
0130M00138	TRANSFORMER 208/230, 24V (M1, M2, M3, M4, M5, M6, M7, M8, M15, M16, M17, M18, M19, M20)	
0130M00146	TRANSFORMER 480V TO 230V, 150VA (M9, M10, M11, M12, M13, M14, M21, M22, M23, M24, M25, M30)	
0130M00145	TRANSFORMER 480V to 24V, 75VA (M9, M10, M11, M12, M13, M14, M21, M22, M23, M24, M25, M30)	
0130M00147	TRANSFORMER 575V TO 230V, 150VA (M26, M27, M28, M29)	
0130M00148	TRANSFORMER 575V to 24V, 75VA (M26, M27, M28, M29)	

# Top Panel/Tubing Assy

Image 1

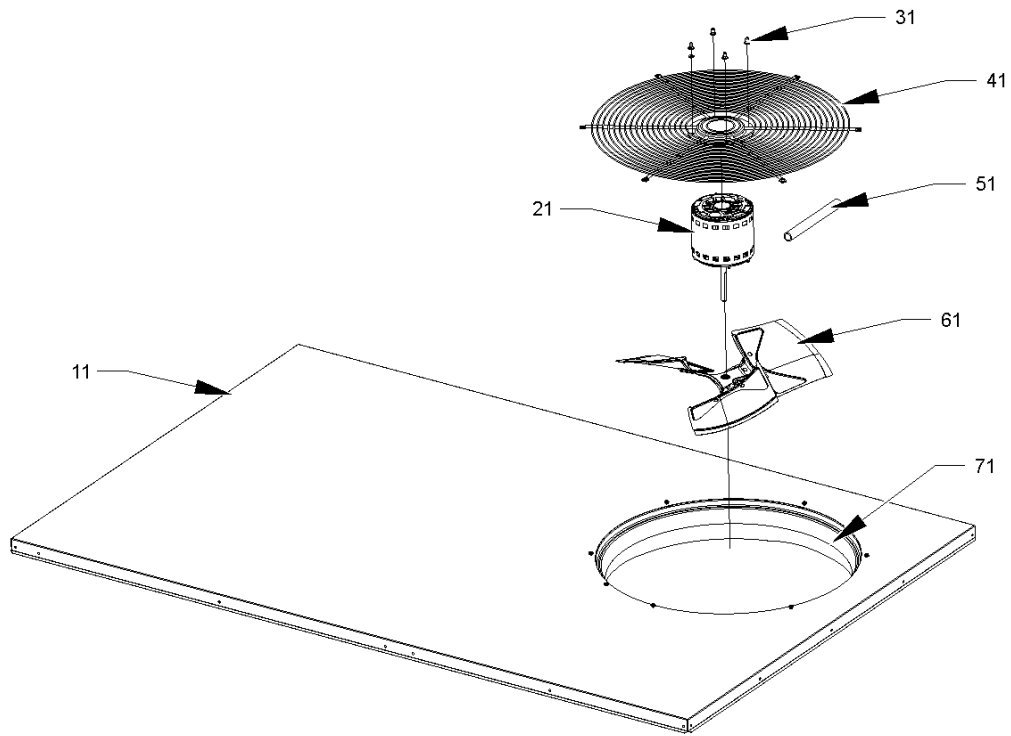
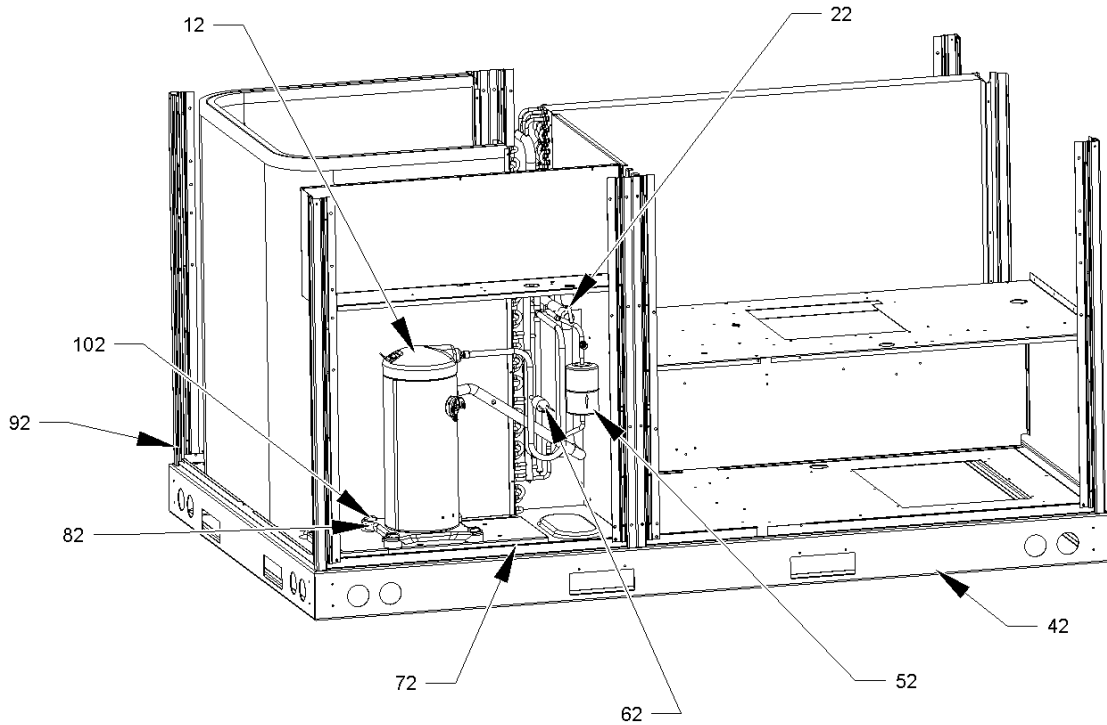


Image 2



# Top Panel/Tubing Assy

**Ref. Part  
No: No:**

**Description:**

**Ref. Part  
No: No:**

**Description:**

**Image 1:**

11	0121L00235DG	TOP PANEL
21	0131M00429	COND MOTOR 1/4 HP, 1 SP,6 PL (M1, M2, M3, M4, M5, M6, M7, M8, M15, M16, M17, M18, M19, M20)
21	B13400269	COND MOTOR 380/460 50/60 CYCLE (M9, M10, M11, M12, M13, M14, M21, M22, M23, M24, M25, M30)
21	0131M00098	COND MOTOR 575V (M26, M27, M28, M29)
31	0163M00006P	ACORN NUT 5/16 HEX BLACK (QTY 4)
41	0152G00003	FAN GRILLE
51	17788000083F	PVC CONDUIT 8.25"
61	0150G00001	FAN BLADE
71	0161L00000	VENTURI RING 22"

**Image 2:**

12	ZP39K5ETF5130	COMPRESSOR 39000, 200/230/60/3 (M1, M2, M3, M4, M5, M6, M7, M8, M15, M16, M17, M18, M19, M20)
12	ZP39K5ETFD130	COMPRESSOR 39000, 460/60/3 (M9, M10, M11, M12, M13, M14, M21, M22, M23, M24, M25, M30)
12	ZP39K5ETFE130	COMPRESSOR 39000, 575/60/3 (M26, M27, M28, M29)
22	0130L00007	CUT-OUT SWITCH, LOW PRESSURE
42	0121L00244RF	SIDE RAIL (QTY 2)
52	B1219225	SINGLE-FLOW FILTER DRIER, STEEL
62	0130M00209	CUT-OUT SWITCH, HIGH PRESSURE
72	0121L00310	COMPRESSOR MOUNTING PLATE
82	B1339533	COMPRESSOR GROMMET (QTY 4)
92	0121L00245	END RAIL (QTY 2)
102	M0221641	TF SHOULDER SCREW (QTY 4)
NS	0159L00003	COMPRESSOR SCROLL HARNESS (M30)
NS	0159L00028	COMPRESSOR SCROLL HARNESS (M1, M2, M3, M4, M5, M6, M7, M8, M9, M10, M11, M12, M13, M14, M15, M16, M17, M18, M19, M20, M21, M22, M23, M24, M25, M26, M27, M28, M29)

**Expanded Model Nomenclature**

M1 - CPG0480903BAABBA
M2 - CPG0480903BHXJBA
M3 - CPG0480903BHYNBA
M4 - CPG0480903BXJXBA
M5 - CPG0480903BXSXBA
M6 - CPG0480903BXXBBA
M7 - CPG0480903BXXBBA
M8 - CPG0480903HXXXBA
M9 - CPG0480904BHXUBA
M10 - CPG0480904BXJXBA
M11 - CPG0480904BXSXBA
M12 - CPG0480904BXXBBA
M13 - CPG0480904BXXEBA
M14 - CPG0480904BXXXBA
M15 - CPG0481153BXJXBA
M16 - CPG0481153BXSXBA
M17 - CPG0481153BXXBBA
M18 - CPG0481153BXXXBA
M19 - CPG0481153HAAXBBA
M20 - CPG0481153HACMBA
M21 - CPG0481154BAAXBBA
M22 - CPG0481154BXJXBA
M23 - CPG0481154BXSXBA
M24 - CPG0481154BXXXBA
M25 - CPG0481154HAAXBBA
M26 - CPG0481157BXJXBA
M27 - CPG0481157BXSXBA
M28 - CPG0481157BXXXBA
M29 - CPG0481157HAXXBA
M30 - CPG0481404BXXXBA

# Cabinet Assy

Image 1

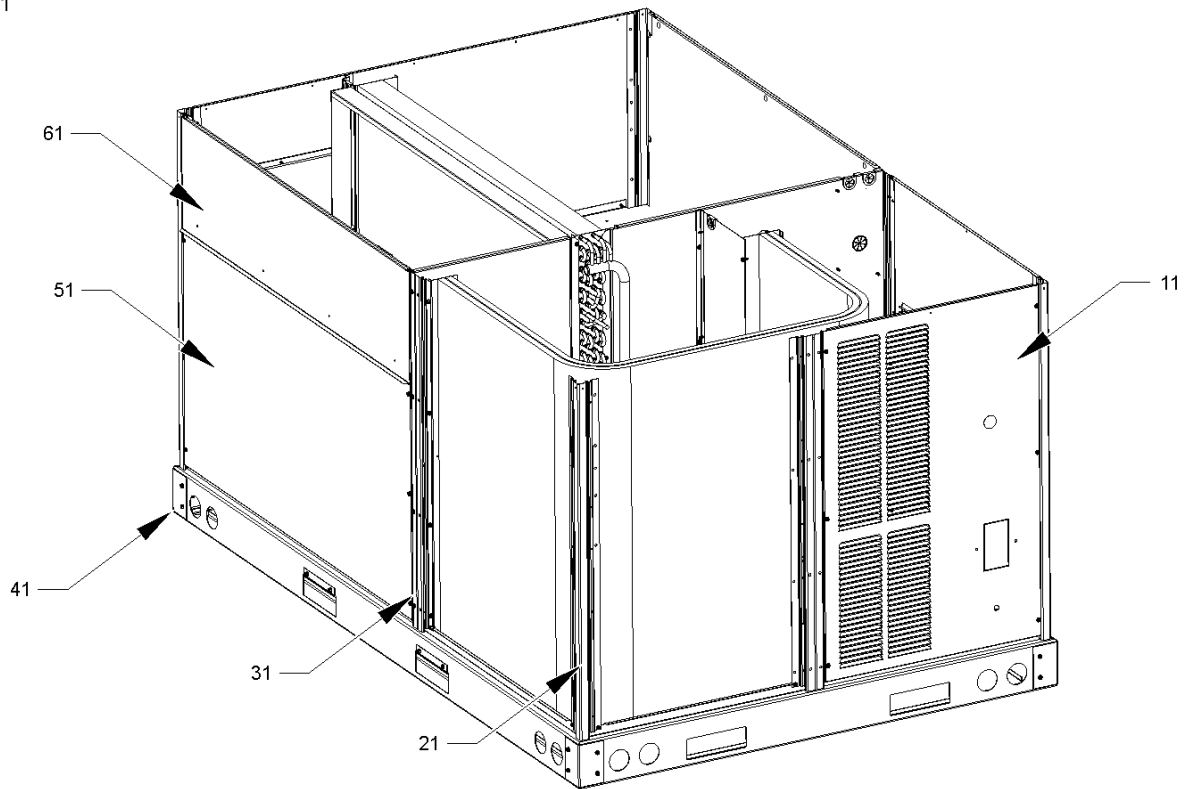
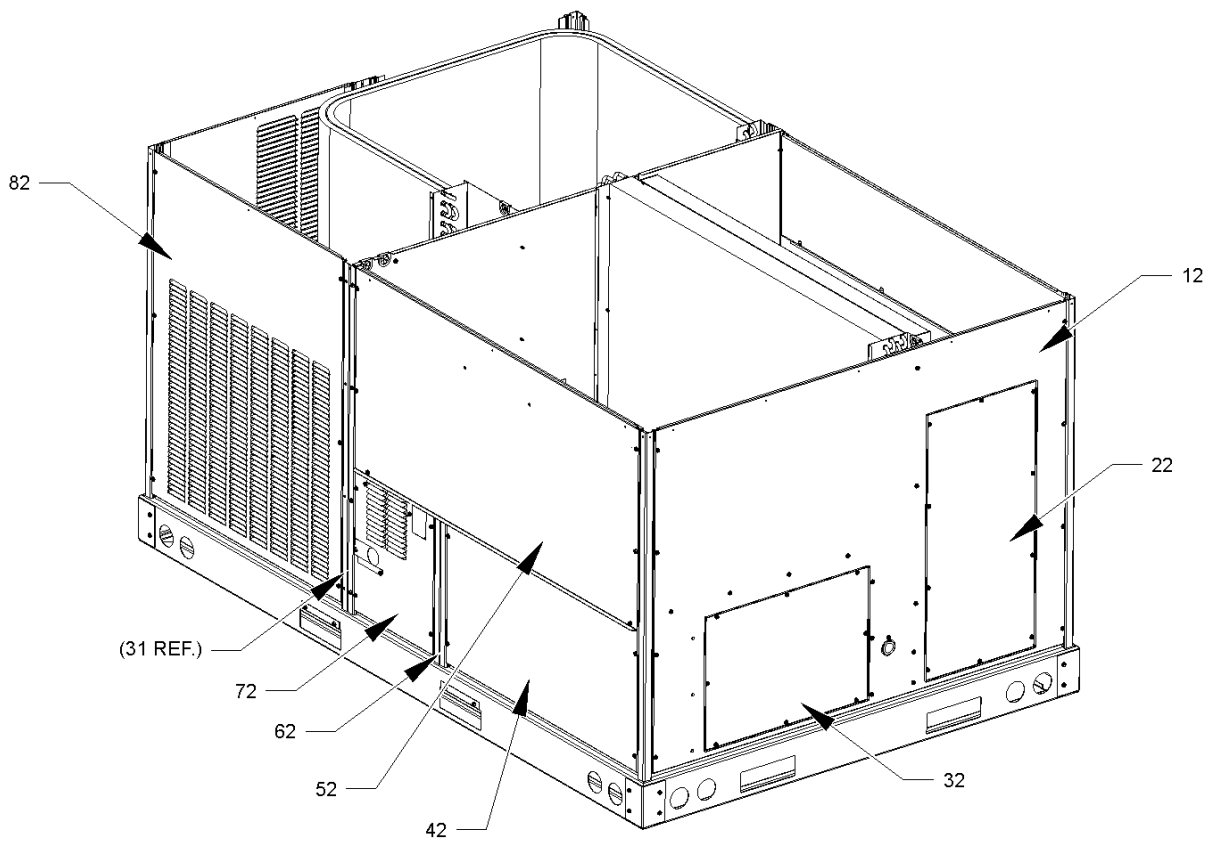


Image 2



# Cabinet Assy

Ref. Part No: No:	Description:	Ref. Part No: No:	Description:
-------------------	--------------	-------------------	--------------

**Image 1:**

11	0121L00263DG	LOUVERED COMPRESSOR PANEL
21	0121L00237RFDG	CORNER POST (QTY 4)
31	0121L00233RFDG	POST-SIDE SUPPORT (QTY 3)
41	0121G00301	RAIL CORNER BRACKET (QTY 4)
51	0121L00976DG	ECONOMIZER DOOR
61	0270L00362DG	FILTER DOOR
NS	0160L00008	FILTER 14 X 20 X 2 (QTY 4)

**Image 2:**

12	0121L00236DG	DUCT PANEL
22	0121L00023DG	RETURN DUCT
32	0121L00024DG	SUPPLY DUCT
42	0121L00257DG	HEAT EXCHANGER DOOR
52	0121L00259DG	BLOWER DOOR
62	0121L00255RFDG	POST-BURNER DOOR
72	0121L00706DG	BURNER DOOR
82	0121L00262DG	LOUVERED CONTROL PANEL
NS	0121L00295DG	FLUE COLLAR
NS	0121L00689	RAIN SHIELD-DOOR
NS	0121L00321	SMOKE DETECTOR COVER

**Expanded Model Nomenclature**

- M1 - CPG0480903BAABBA
- M2 - CPG0480903BHXJBA
- M3 - CPG0480903BHXNBA
- M4 - CPG0480903BXJXBA
- M5 - CPG0480903BXSXBA
- M6 - CPG0480903BXXBBA
- M7 - CPG0480903BXXXBA
- M8 - CPG0480903HXXXBA
- M9 - CPG0480904BHXUBA
- M10 - CPG0480904BXJXBA
- M11 - CPG0480904BXSXBA
- M12 - CPG0480904BXXBBA
- M13 - CPG0480904BXXEBA
- M14 - CPG0480904BXXXBA
- M15 - CPG0481153BXJXBA
- M16 - CPG0481153BXSXBA
- M17 - CPG0481153BXXBBA
- M18 - CPG0481153BXXXBA
- M19 - CPG0481153HAAXBA
- M20 - CPG0481153HACMBA
- M21 - CPG0481154BAAXBA
- M22 - CPG0481154BXJXBA
- M23 - CPG0481154BXSXBA
- M24 - CPG0481154BXXXBA
- M25 - CPG0481154HAAXBA
- M26 - CPG0481157BXJXBA
- M27 - CPG0481157BXSXBA
- M28 - CPG0481157BXXXBA
- M29 - CPG0481157HAXXBA
- M30 - CPG0481404BXXXBA

# Partition Assy

Image 1

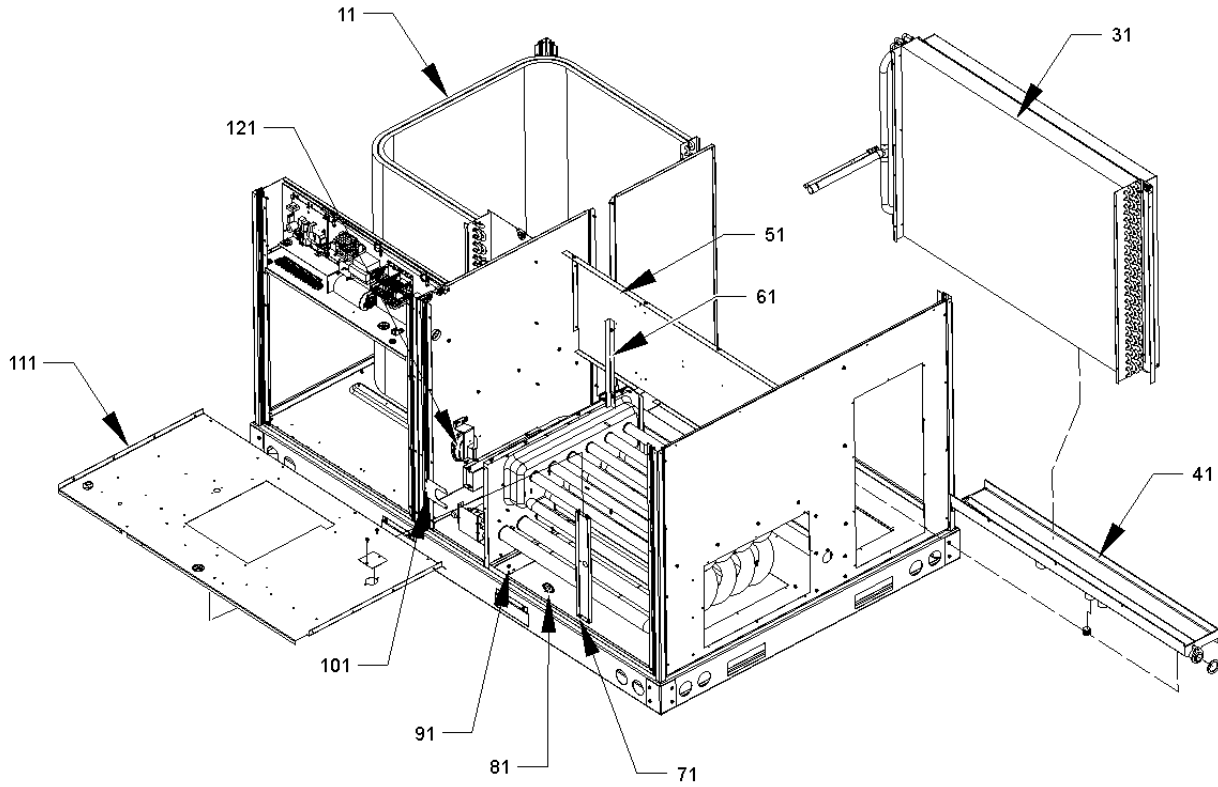
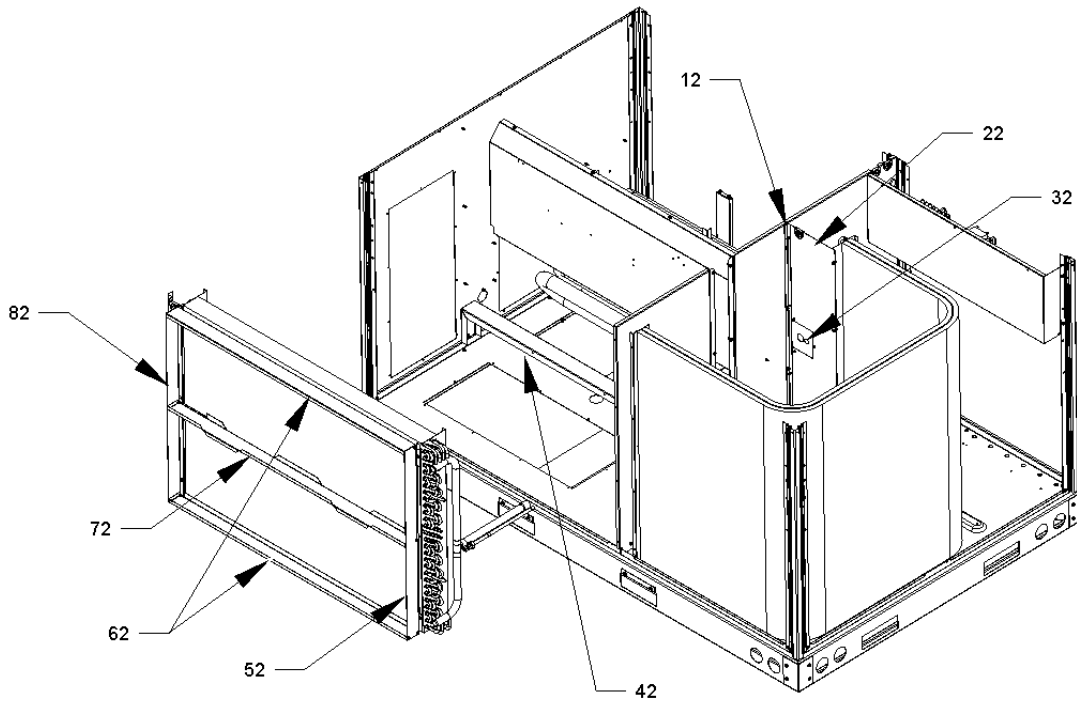


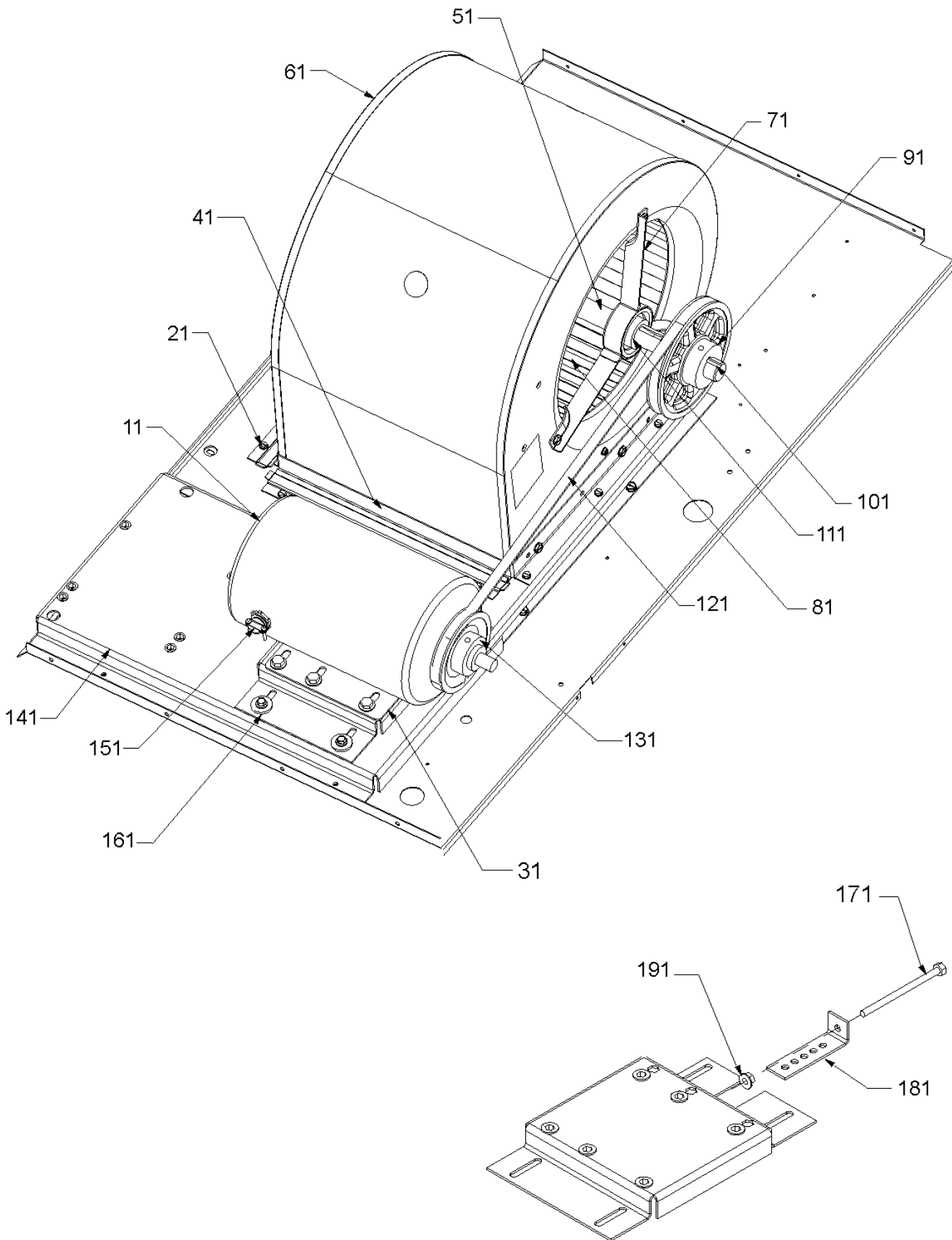
Image 2



# Partition Assy

Ref. Part No: No:	Description:	Ref. Part No: No:	Description:
<b>Image 1:</b>		<b>Expanded Model Nomenclature</b>	
11	0201L00036 TUBING ASSY, COND COIL (M1, M2, M3, M5, M6, M7, M8, M9, M11, M12, M13, M14, M16, M17, M18, M19, M20, M21, M23, M24, M25, M27, M28, M29, M30)	M1 - CPG0480903BAABBA	
11	0201L00045 TUBING ASSY, COND COIL (M4, M10, M15, M22, M26)	M2 - CPG0480903BHXJBA	
31	0202L00029 TUBING ASSY, EVAP COIL	M3 - CPG0480903BHYNBA	
41	0161L00005 DRAIN PAN	M4 - CPG0480903BXJXBA	
51	0121L00243 DECK SIDE CHANNEL	M5 - CPG0480903BXSXBA	
61	0121L00293 BACK ANGLE-HEAT EXCHANGER (QTY 2)	M6 - CPG0480903BXXBBA	
71	0121L00300 SUPPORT POST-DECK	M7 - CPG0480903BXXBBA	
81	0130M00063 PRIMARY LIMIT - GOLD 140° (M1, M2, M3, M4, M5, M6, M7, M8, M9, M10, M11, M12, M13, M14, M15, M16, M17, M18, M19, M20, M21, M22, M23, M24, M25, M26, M27, M28, M29)	M8 - CPG0480903HXXXBA	
81	0130F00037 PRIMARY LIMIT - GRAY 150° (M15, M16, M17, M18, M19, M20, M21, M22, M23, M24, M25, M26, M27, M28, M29)	M9 - CPG0480904BHXUBA	
81	0130F00035 PRIMARY LIMIT - PURPLE 220° (M30)	M10 - CPG0480904BXJXBA	
91	0121L00266 HEAT PANEL CHANNEL (QTY 2)	M11 - CPG0480904BXSXBA	
101	0121L00299NG GAS VALVE BRACKET	M12 - CPG0480904BXXBBA	
111	0121L01205 BLOWER DECK	M13 - CPG0480904BXXEBA	
121	11112501 PRESSURE SWITCH	M14 - CPG0480904BXXXBA	
NS	A3468602 PRESSURE SWITCH HOSE	M15 - CPG0481153BXJXBA	
<b>Image 2:</b>		M16 - CPG0481153BXSXBA	
12	0121L00254 COND MOUNTING ANGLE	M17 - CPG0481153BXXBBA	
22	0121L00311 COND BLOCK-OFF	M18 - CPG0481153BXXXBA	
32	0121L00939 CONDENSER BLOCKOFF PLATE	M19 - CPG0481153HAAXBBA	
42	0121L00238 DRAIN PAN SUPPORT	M20 - CPG0481153HACMBA	
52	0121L00287 FILTER ANGLE-VERTICAL (RETURN SIDE)	M21 - CPG0481154BAAXBBA	
62	0121L00932 FILTER ANGLE-HORIZONTAL (QTY 2)	M22 - CPG0481154BXJXBA	
72	0121L01255 FILTER ANGLE-HORIZONTAL (CENTER)	M23 - CPG0481154BXSXBA	
82	0121L00303 FILTER ANGLE-VERTICAL (HAIRPIN SIDE)	M24 - CPG0481154BXXXBA	
		M25 - CPG0481154HAAXBBA	
		M26 - CPG0481157BXJXBA	
		M27 - CPG0481157BXSXBA	
		M28 - CPG0481157BXXXBA	
		M29 - CPG0481157HAXXBA	
		M30 - CPG0481404BXXXBA	

# Belt Drive Assy



# Belt Drive Assy

Ref. Part No: No:	Description:	Ref. Part No: No:	Description:
<b>Image 1:</b>		<b>Expanded Model Nomenclature</b>	
11	0131L00003	BELT DRIVE MOTOR 1 HP (M1, M2, M3, M4, M5, M6, M7, M9, M10, M11, M12, M13, M14, M15, M16, M17, M18, M21, M22, M23, M24, M30)	M1 - CPG0480903BAABBA M2 - CPG0480903BHXJBA M3 - CPG0480903BHYNBA M4 - CPG0480903BXJXBA M5 - CPG0480903BXSXBA M6 - CPG0480903BXXBBA M7 - CPG0480903BXXBBA M8 - CPG0480903HXXXBA M9 - CPG0480904BHXUBA M10 - CPG0480904BXJXBA M11 - CPG0480904BXSXBA M12 - CPG0480904BXXBBA M13 - CPG0480904BXXEBA M14 - CPG0480904BXXXBA M15 - CPG0481153BXJXBA M16 - CPG0481153BXSXBA M17 - CPG0481153BXXBBA M18 - CPG0481153BXXXBA M19 - CPG0481153HAAXBBA M20 - CPG0481153HACMBA M21 - CPG0481154BAAXBBA M22 - CPG0481154BXJXBA M23 - CPG0481154BXSXBA M24 - CPG0481154BXXXBA M25 - CPG0481154HAAXBBA M26 - CPG0481157BXJXBA M27 - CPG0481157BXSXBA M28 - CPG0481157BXXXBA M29 - CPG0481157HAXBBA M30 - CPG0481404BXXXBA
11	B3240007	BELT DRIVE MOTOR 1.5 HP (M8, M19, M20, M25)	
11	0131L00004	BELT DRIVE MOTOR 1.5 HP 575V (M26, M27, M28, M29)	
21	0121L00297	BLOWER SIDE ANGLE (QTY 3)	
31	0121L00899	MOTOR BASE	
41	0121L00281	BLOWER MOUNTING ANGLE	
51	0163L00005	BELT DRIVE BLOWER SHAFT	
61	2539302F	BLOWER HOUSING 11 X 10	
71	B3201300	MOUNTING BRACKET BEARING (QTY 2)	
81	B1368056	BELT DRIVE BLOWER WHEEL	
91	B3204310	FIXED SHEAVE AK66	
101	B1398604	STEEL KEY (000158812) 2.0"	
111	B1399500	BALL BEARING 1.00" (QTY 2)	
121	0164L00010	FAN BELT, NOTCHED	
131	0163L00061	SHEAVE, ADJUSTABLE (M29)	
131	B2120001	VARIABLE PITCH SHEAVE 1VL44 X 3/8"	
131	B2120013	VARIABLE PITCH SHEAVE 1VP50 (M8, M19, M20, M25)	
141	0121L01203	SUPPORT BLOWER PLATE	
151	B1393726	ELECT. CONNECTING BUSHING	
161	B1393738	BOLT 1/4-20 X 3/4" (QTY 4)	
171	0163M00045	BOLT 1/4-20 X 4"	
181	3225000F	BELT TIGHTENER ANGLE	
191	B1393023	NUT / LOCK .25-20	
NS	1864703F	BLOWER CUT-OFF	
NS	20162905	PRIMARY LIMIT-YELLOW (M1, M2, M3, M4, M5, M6, M7, M8, M9, M10, M11, M12, M13, M14, M30)	
NS	B1398603	STEEL KEY (000158812) 4.5"	

# Heat Exchanger and Control Panel Assy

Image 1

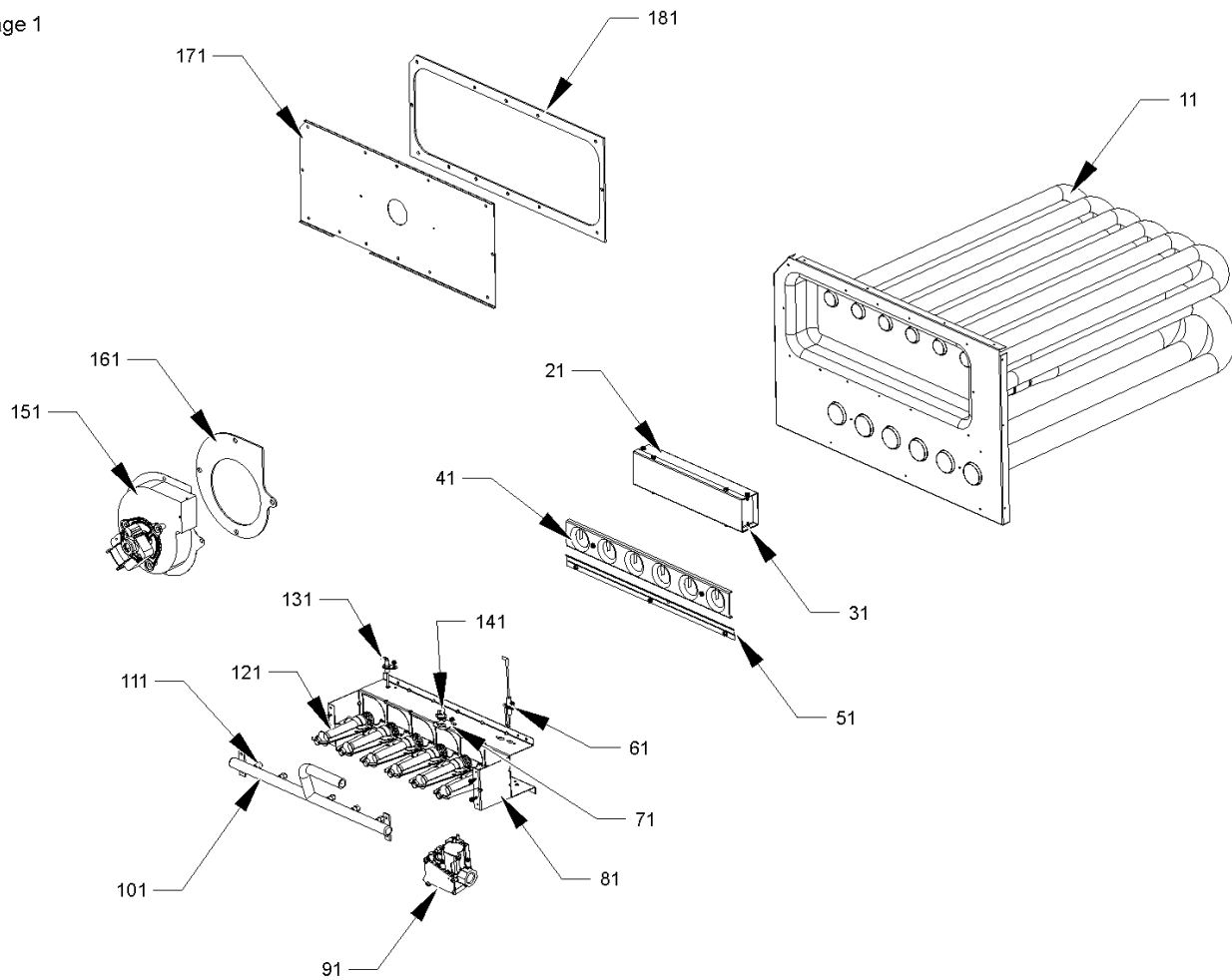
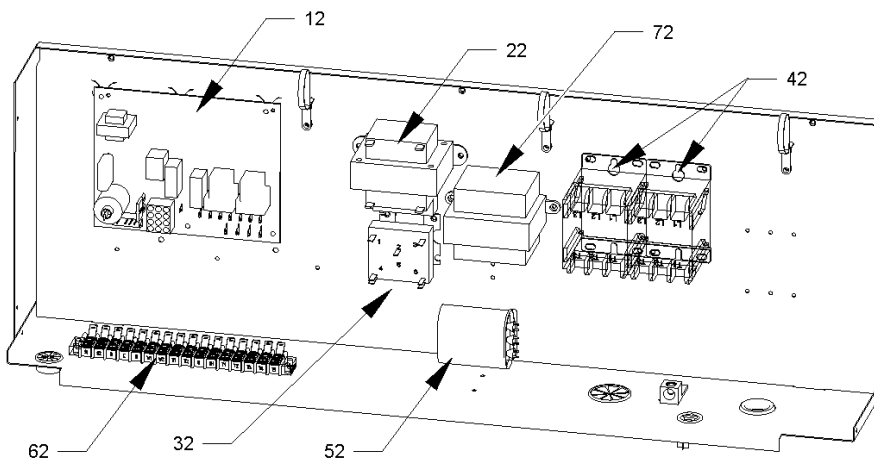


Image 2



# Heat Exchanger and Control Panel Assy

Ref. Part No: No:	Description:	Ref. Part No: No:	Description:
<b>Image 1:</b>		<b>Image 2:</b>	
11 0270L00092	PART/TUBE ASSY 4B (M1, M2, M3, M4, M6, M7, M8, M9, M10, M12, M13, M14)	42 CONT3P025024V	CONTACTOR 25 AMP, 3P, 24V (M9, M10, M11, M12, M13, M14, M21, M22, M23, M24, M25, M26, M27, M28, M29, M30)
11 0270L00105	PART/TUBE ASSY 4B (M5, M11)	42 CONT3P030024V	CONTACTOR 30 AMP, 3P, 24V (M1, M2, M3, M4, M5, M6, M7, M8, M15, M16, M17, M18, M19, M20)
11 0270L00110	PART/TUBE ASSY 5B (M15, M17, M18, M19, M21, M22, M24, M25, M26, M28, M29)	52 CAP050000370LA	CAPACITOR 5/370V
11 0270L00111	PART/TUBE ASSY 5B (M16, M20, M23, M27)	62 0130M00038	TERMINAL BOARD
11 0270L00072	PART/TUBE ASSY 6B (M30)	72 0130M00146	TRANSFORMER 480V TO 230V, 150VA (M9, M10, M11, M12, M13, M14, M21, M22, M23, M24, M25, M30)
21 0121L00277	FLUE CHANNEL	72 0130M00148	TRANSFORMER 575V to 24V, 75VA (M26, M27, M28, M29)
31 0121L00278	FLUE SIDE COVER	NS 0259L00067	12-PIN MALE PLUG ASSY
41 11072203	ORIFICE SHIELD (M1, M2, M3, M4, M5, M6, M7, M8, M9, M10, M11, M12, M13, M14)	NS 20520901	CAPACITOR STRAP (M1, M19, M20, M21, M25)
41 11072204	ORIFICE SHIELD (M15, M16, M17, M18, M19, M20, M21, M22, M23, M24, M25, M26, M27, M28, M29)	NS 0259L00074	CONTROL HARNESS (M1, M2, M3, M4, M5, M6, M7, M8, M15, M16, M17, M18, M19, M20)
41 11072205	ORIFICE SHIELD (M30)	NS 0259L00075	CONTROL HARNESS (M9, M10, M11, M12, M13, M14, M21, M22, M23, M24, M25, M26, M27, M28, M29, M30)
51 0121L00267	BURNER SLIDE BRACKET	NS 0259L00054	WIRING HARNESS (M1, M2, M3, M4, M5, M6, M7, M8, M15, M16, M17, M18, M19, M20, M26, M27, M28, M29)
61 20261709	IGNITOR	NS 0259L00060	WIRING HARNESS (M9, M10, M11, M12, M13, M14, M21, M22, M23, M24, M25, M30)
71 0121L00053	FLAME ROLLOUT BRACKET	NS 0259L00065	WIRING HARNESS
81 20190412	BURNER BRACKET 4B (M1, M2, M3, M4, M5, M6, M7, M8, M9, M10, M11, M12, M13, M14)	NS 0259L00068	WIRING HARNESS
81 20190413	BURNER BRACKET 5B (M15, M16, M17, M18, M19, M20, M21, M22, M23, M24, M25, M26, M27, M28, M29)	NS 0259L00069	WIRING HARNESS
81 0121F00145	BURNER BRACKET 6B (M30)		
91 0151F00000P	GAS VALVE - WHITE-RODGERS 2-STAGE		
101 0163L00026	MANIFOLD - 4 BRNR (M1, M2, M3, M4, M5, M6, M7, M8, M9, M10, M11, M12, M13, M14)		
101 0163L00029	MANIFOLD - 5 BRNR (M15, M16, M17, M18, M19, M20, M21, M22, M23, M24, M25, M26, M27, M28, M29)		
101 0163L00025	MANIFOLD - 6 BRNR (M30)		
111 10716003	ORIFICE (QTY 4)		
121 10735102	BECKETT BURNER (QTY 4)		
131 0130F00010	FLAME SENSOR		
141 10123532	MANUAL RESET LIMIT 350°F		
151 0131M00121	ID COMBUSTION BLOWER		
161 0154L00020	ID BLOWER GASKET		
171 0121L00241	ID BLOWER PLATE (M30)		
171 0121L00284	ID BLOWER PLATE 4 BRNR (M1, M2, M3, M4, M5, M6, M7, M8, M9, M10, M11, M12, M13, M14)		
171 0121L00318	ID BLOWER PLATE 6 BRNR (M15, M16, M17, M18, M19, M20, M21, M22, M23, M24, M25, M26, M27, M28, M29)		
181 0154L00018	ID BLOWER PLATE GASKET 4 BRNR (M1, M2, M3, M4, M5, M6, M7, M8, M9, M10, M11, M12, M13, M14)		
181 0154L00017	ID BLOWER PLATE GASKET 6 BRNR (M15, M16, M17, M18, M19, M20, M21, M22, M23, M24, M25, M26, M27, M28, M29, M30)		
NS 0163L00072	SCREEN-FLUE		
<b>Image 2:</b>			
12 PCBAG123	IGNITION BOARD, DSI INTEGRATED		
22 0130M00138	TRANSFORMER 208/230, 24V (M1, M2, M3, M4, M5, M6, M7, M8, M15, M16, M17, M18, M19, M20)		
22 0130M00145	TRANSFORMER 480V to 24V, 75VA (M9, M10, M11, M12, M13, M14, M21, M22, M23, M24, M25, M30)		
22 0130M00147	TRANSFORMER 575V TO 230V, 150VA (M26, M27, M28, M29)		
32 0130M00025	24V RELAY		

# Heat Exchanger and Control Panel Assy

Ref. Part

Ref. Part

No: No:

Description:

No: No:

Description:

---

## Expanded Model Nomenclature

M1 - CPG0480903BAABBA
M2 - CPG0480903BHXJBA
M3 - CPG0480903BHXNBA
M4 - CPG0480903BXJXBA
M5 - CPG0480903BXSXBA
M6 - CPG0480903BXXBBA
M7 - CPG0480903BXXXBA
M8 - CPG0480903HXXXBA
M9 - CPG0480904BHXUBA
M10 - CPG0480904BXJXBA
M11 - CPG0480904BXSXBA
M12 - CPG0480904BXXBBA
M13 - CPG0480904BXXEBA
M14 - CPG0480904BXXXBA
M15 - CPG0481153BXJXBA
M16 - CPG0481153BXSXBA
M17 - CPG0481153BXXBBA
M18 - CPG0481153BXXXBA
M19 - CPG0481153HAAXBA
M20 - CPG0481153HACMBA
M21 - CPG0481154BAAXBA
M22 - CPG0481154BXJXBA
M23 - CPG0481154BXSXBA
M24 - CPG0481154BXXXBA
M25 - CPG0481154HAAXBA
M26 - CPG0481157BXJXBA
M27 - CPG0481157BXSXBA
M28 - CPG0481157BXXXBA
M29 - CPG0481157HAXXBA
M30 - CPG0481404BXXXBA

# ACCESSORY PARTS LIST

# ACCESSORY PARTS

Ref. Part No: No:	Description:	Ref. Part No: No:	Description:
-------------------	--------------	-------------------	--------------

**Image 1:**

NS 0130M00065	CIRCUIT BREAKER, CONVENIENCE OUTLET (M1, M3, M6, M12, M17, M20)
NS 0270L00107	CONVENIENCE OUTLET ASSEMBLY (M2, M9)
NS DSC060A38Y001FI	DISCONNECT MODULE ASSY (M2, M3, M9)
NS DNECONGS3672B	ECONOMIZER, DOWNFLOW GAS/AC (M1, M19, M20, M21, M25, M29)
NS HAILGD03FI	HAIL GUARD ASSEMBLY (M1, M19, M20, M21, M25)
NS LAKT01	LOW AMBIENT KIT (M9, M20)
NS SDRKT01FI4	SMOKE DETECTOR ASSEMBLY (M3, M9)
NS SDSKT01FI	SMOKE DETECTOR ASSEMBLY (M13)
NS SDSRKT01FI4	SMOKE DETECTOR ASSEMBLY (M2)
NS 0130M00061	TRANSFORMER, CONVENIENCE OUTLET (M1, M3, M6, M12, M17, M20)

**Expanded Model Nomenclature**

M1 - CPG0480903BAABBA
M2 - CPG0480903BHXJBA
M3 - CPG0480903BHXNBA
M4 - CPG0480903BXJXBA
M5 - CPG0480903BXSXBA
M6 - CPG0480903BXXBBA
M7 - CPG0480903BXXXBA
M8 - CPG0480903HXXXBA
M9 - CPG0480904BHXUBA
M10 - CPG0480904BXJXBA
M11 - CPG0480904BXSXBA
M12 - CPG0480904BXXBBA
M13 - CPG0480904BXXEBA
M14 - CPG0480904BXXXBA
M15 - CPG0481153BXJXBA
M16 - CPG0481153BXSXBA
M17 - CPG0481153BXXBBA
M18 - CPG0481153BXXXBA
M19 - CPG0481153HAAXBA
M20 - CPG0481153HACMBA
M21 - CPG0481154BAAXBA
M22 - CPG0481154BXJXBA
M23 - CPG0481154BXSXBA
M24 - CPG0481154BXXXBA
M25 - CPG0481154HAAXBA
M26 - CPG0481157BXJXBA
M27 - CPG0481157BXSXBA
M28 - CPG0481157BXXXBA
M29 - CPG0481157HAXXBA
M30 - CPG0481404BXXXBA