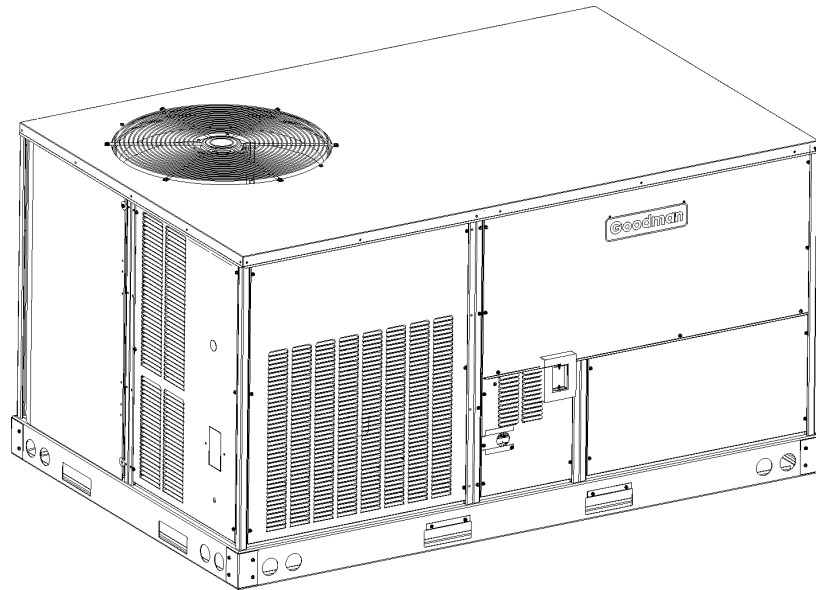


---

**CPG 4 Ton Commercial Package Gas Unit -  
Direct Drive**

CPG0480901DXCXBA  
CPG0480901DXJXBA  
CPG0480901DXSXBA  
CPG0480901DXXXBA  
CPG0480903DHXABA  
CPG0480903DJANBA  
CPG0480903DXJXBA  
CPG0480903DXSXBA  
CPG0480903DXXXBA  
CPG0481151DXJXBA  
CPG0481151DXSXBA  
CPG0481151DXXXBA  
CPG0481153DXJXBA  
CPG0481153DXSXBA  
CPG0481153DXXFBA  
CPG0481153DXXXBA



This manual is to be used by qualified technicians only.

This manual replaces RP-486A.

© 2009, 2013 Goodman Manufacturing Company, L.P. ♦ 5151 San Felipe, Suite 500 ♦ Houston, TX 77056

# Important Information

---

## Index

Functional Parts List .....	3
Illustration and Parts .....	4 - 15

*Views shown are for parts illustrations only, not servicing procedures.*

Addition of models with various FIOP's.

### Text Codes:

AR - As Required

NA - Not Available

NS - Not Shown

00000000 - See Note

QTY - Quantity Example (QTY 3) (If Quantity not shown, Quantity = 1)

M - Model Example (M1) (If M Code not shown, then part is used on all Models)

### Expanded Model Nomenclature:

Example M1 - Model#1 M2 - Model#2 M3 - Model#3
---

Goodman Manufacturing Company, L.P. is not responsible for personal injury or property damage resulting from improper service. Review all service information before beginning repairs.

Warranty service must be performed by an authorized technician, using authorized factory parts. If service is required after the warranty expires, Goodman Manufacturing Company, L.P. also recommends contacting an authorized technician and using authorized factory parts.

Goodman Manufacturing Company, L.P. reserves the right to discontinue, or change at any time, specifications or designs without notice or without incurring obligations.

For assistance within the U.S.A. contact:  
Consumer Affairs Department  
Goodman Manufacturing Company, L.P.  
7401 Security Way  
Houston, Texas 77040  
877-254-4729-Telephone  
713-863-2382-Facsimile

For assistance outside the U.S.A. contact:  
International Division  
Goodman Manufacturing Company, L.P.  
7401 Security Way  
Houston, Texas 77040  
713-861-2500-Telephone  
713-863-2382-Facsimile

# Functional Parts

## Part

## No: Description:

---

0131M00127	BLOWER MOTOR
D6723303	BLOWER WHEEL
CAP150000370VA	CAPACITOR 15/370V
CAP050000370VA	CAPACITOR 5/370V (M5, M6, M7, M8, M9, M13, M14, M15, M16)
CAP050450440RT	CAPACITOR 5/45/440V (M1, M2, M3, M4, M10, M11, M12)
ZP39K5ETF5130	COMPRESSOR 39000, 200/230/60/3 (M5, M6, M7, M8, M9, M13, M14, M15, M16)
ZP39K5EPFV130	COMPRESSOR 39000, 208/230/60/1 (M1, M2, M3, M4, M10, M11, M12)
CONT3P025024V	CONTACTOR 25 AMP, 3P, 24V (M5, M6, M7, M8, M9, M13, M14, M15, M16)
CONT1P030024V	CONTACTOR 30 AMP, 1P, 24V (M1, M2, M3, M4, M10, M11, M12)
0130M00055	CUT-OUT SWITCH, HIGH PRESSURE
0130L00007	CUT-OUT SWITCH, LOW PRESSURE
0150G00001	FAN BLADE
0130F00010	FLAME SENSOR
0151F00000P	GAS VALVE - WHITE-RODGERS 2-STAGE
PCBAG123	IGNITION BOARD, DSI INTEGRATED
20261709	IGNITOR
10123532	MANUAL RESET LIMIT 350°F
11112501	PRESSURE SWITCH
0130M00063	PRIMARY LIMIT - GOLD 140° (M10, M11, M12, M13, M14, M15, M16)
0130M00038	TERMINAL BOARD
B1141643	TRANSFORMER 208/230, 24V

### Expanded Model Nomenclature

M1 - CPG0480901DXCXBA
M2 - CPG0480901DXJXBA
M3 - CPG0480901DXSXBA
M4 - CPG0480901DXXXBA
M5 - CPG0480903DHXABA
M6 - CPG0480903DJANBA
M7 - CPG0480903DXJXBA
M8 - CPG0480903DXSXBA
M9 - CPG0480903DXXXBA
M10 - CPG0481151DXJXBA
M11 - CPG0481151DXSXBA
M12 - CPG0481151DXXXBA
M13 - CPG0481153DXJXBA
M14 - CPG0481153DXSXBA
M15 - CPG0481153DXXFBA
M16 - CPG0481153DXXXBA

# Top Panel/Tubing Assy

Image 1

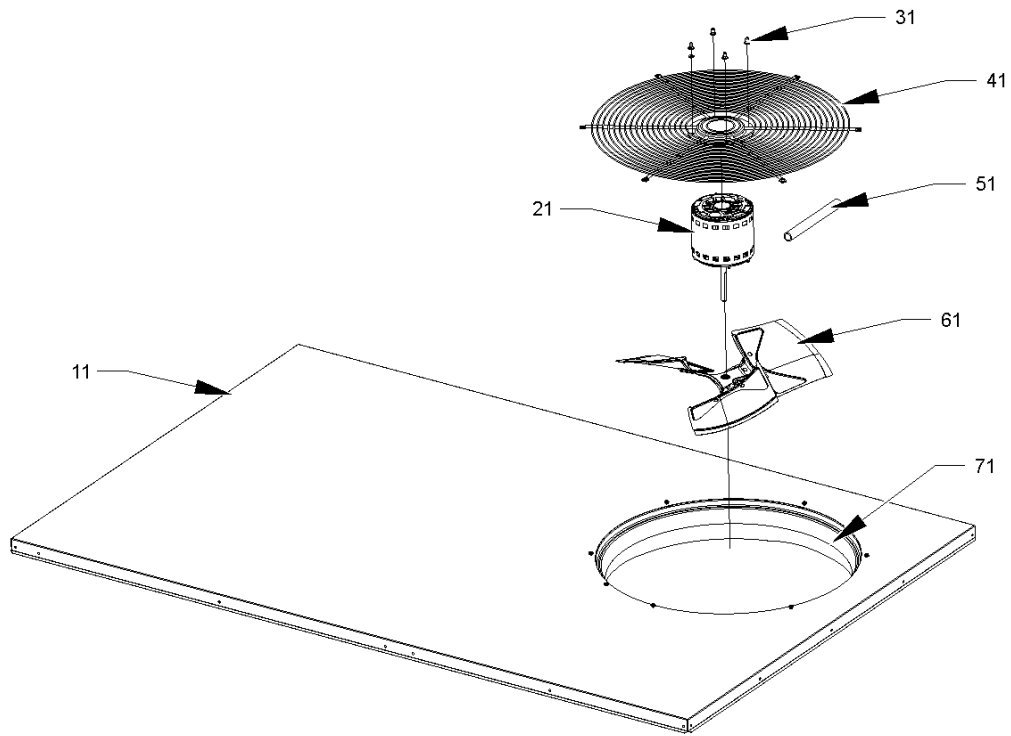
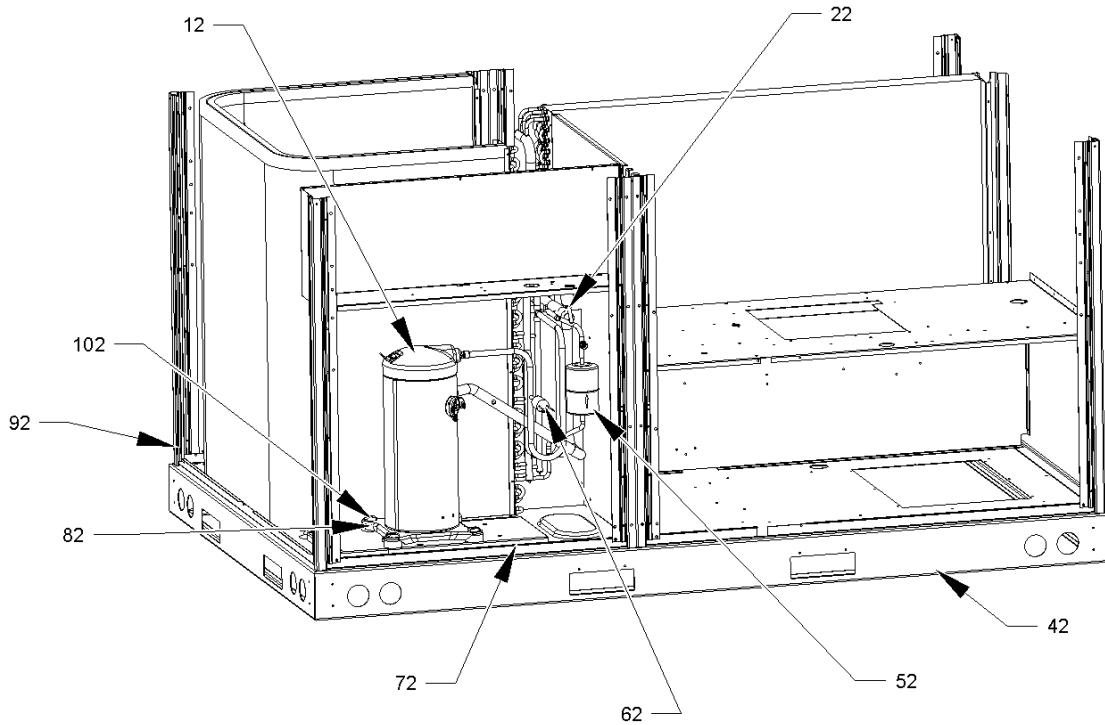


Image 2



# Top Panel/Tubing Assy

Ref. Part No: No:	Description:	Ref. Part No: No:	Description:
-------------------	--------------	-------------------	--------------

*Image 1:*

11	0270L00086	INSULATED ASSY, TOP PANEL
21	0131M00429	COND MOTOR, 1/4 HP, 1 SP, 6 PL
31	0163M00006P	ACORN NUT 5/16 HEX BLACK (QTY 4)
41	0152G00002	GRILLE-FAN
51	17788000083F	PVC CONDUIT 8.25"
61	0150G00001	FAN BLADE
71	0161L00000	VENTURI RING 22"

*Image 2:*

12	ZP39K5ETF5130	COMPRESSOR 39000, 200/230/60/3 (M5, M6, M7, M8, M9, M13, M14, M15, M16)
12	ZP39K5EPFV130	COMPRESSOR 39000, 208/230/60/1 (M1, M2, M3, M4, M10, M11, M12)
22	0130L00007	CUT-OUT SWITCH, LOW PRESSURE
42	0121L00244RF	SIDE RAIL (QTY 2)
52	B1219225	SINGLE-FLOW FILTER DRIER, STEEL
62	0130M00055	CUT-OUT SWITCH, HIGH PRESSURE
72	0121L00310	COMPRESSOR MOUNTING PLATE
82	B1339533	COMPRESSOR GROMMET (QTY 4)
92	0121L00245	END RAIL (QTY 2)
102	M0221641	TF SHOULDER SCREW (QTY 4)
NS	0159L00027	COMPRESSOR SCROLL HARNESS (M1, M2, M3, M4, M10, M11, M12)
NS	0159L00028	COMPRESSOR SCROLL HARNESS (M5, M6, M7, M8, M9, M13, M14, M15, M16)

Expanded Model Nomenclature

M1 - CPG0480901DXCXBA
M2 - CPG0480901DXJXBA
M3 - CPG0480901DXSXBA
M4 - CPG0480901DXXXBA
M5 - CPG0480903DHXABA
M6 - CPG0480903DJANBA
M7 - CPG0480903DXJXBA
M8 - CPG0480903DXSXBA
M9 - CPG0480903DXXXBA
M10 - CPG0481151DXJXBA
M11 - CPG0481151DXSXBA
M12 - CPG0481151DXXXBA
M13 - CPG0481153DXJXBA
M14 - CPG0481153DXSXBA
M15 - CPG0481153DXXFBA
M16 - CPG0481153DXXXBA

# Cabinet Assy

Image 1

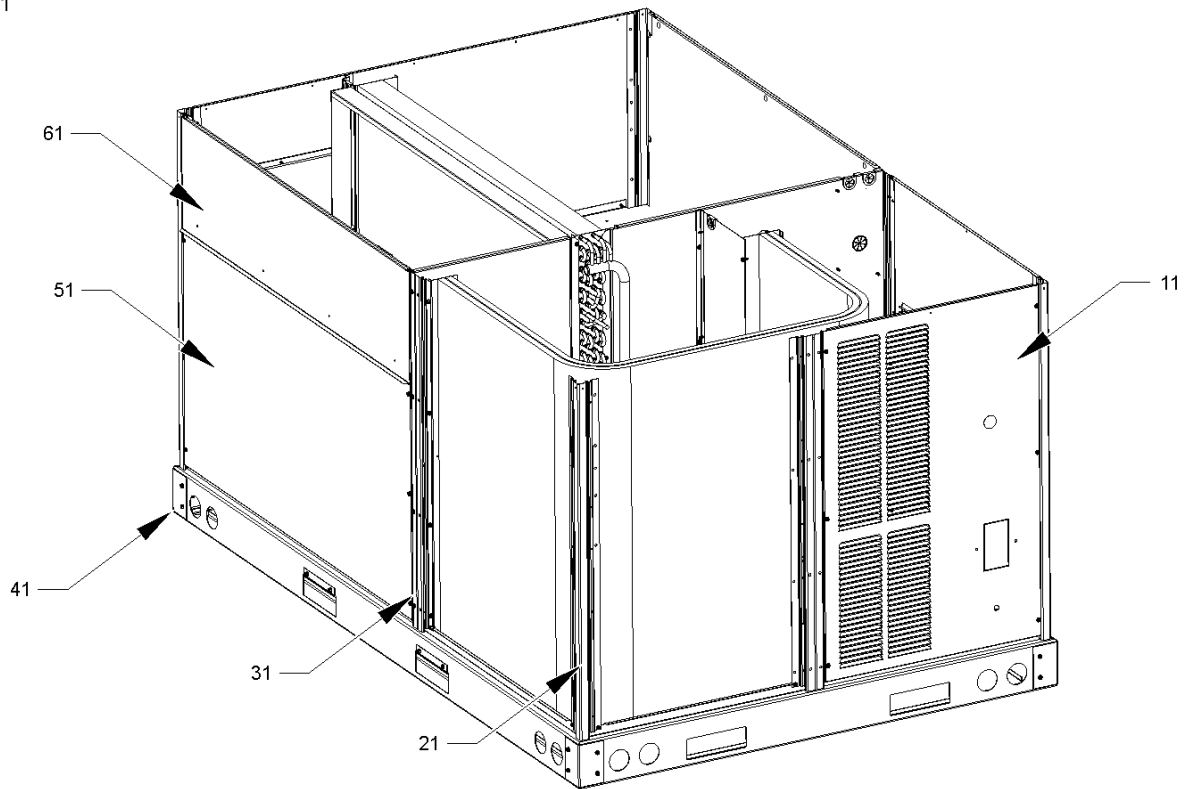
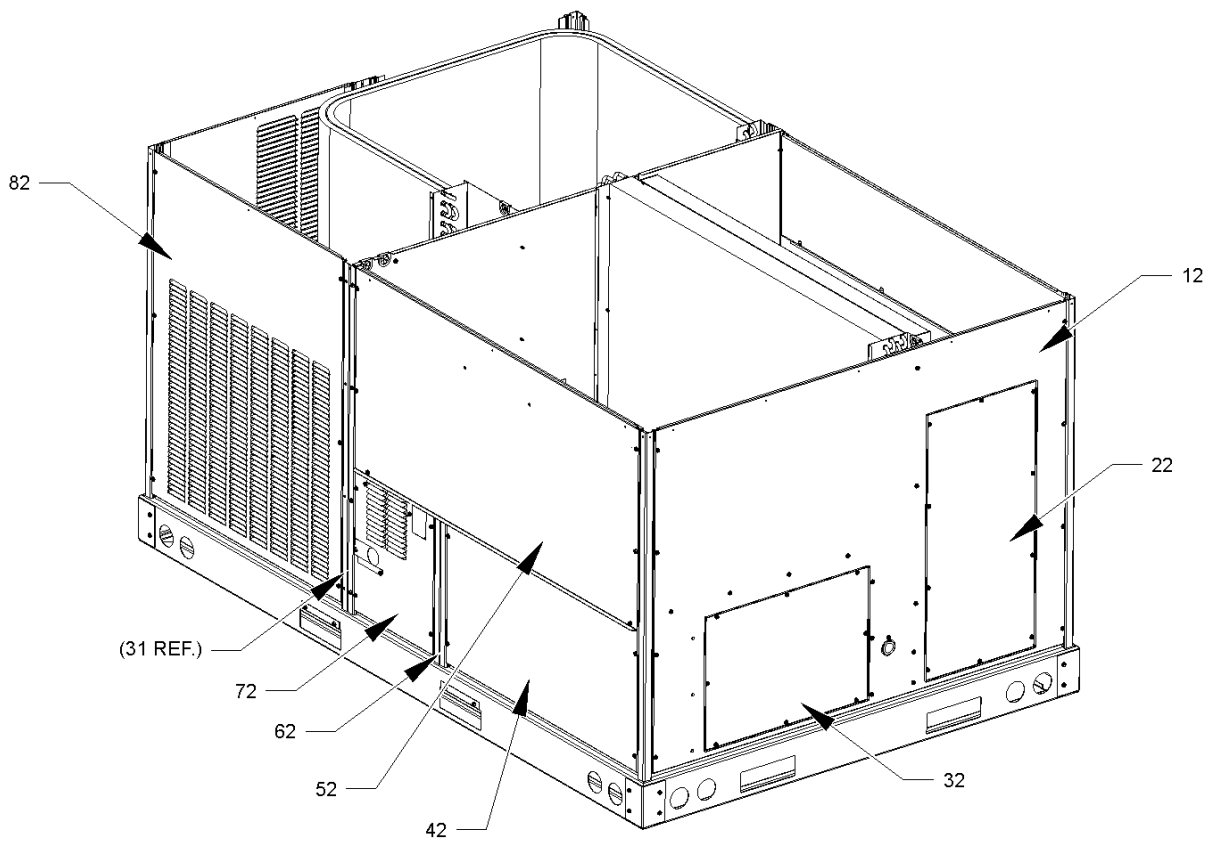


Image 2



# Cabinet Assy

Ref. Part No: No:	Description:	Ref. Part No: No:	Description:
-------------------	--------------	-------------------	--------------

*Image 1:*

11	0121L00263DG	LOUVERED COMPRESSOR PANEL
21	0121L00237RFDG	CORNER POST (QTY 4)
31	0121L00233RFDG	POST-SIDE SUPPORT (QTY 3)
41	0121G00301	RAIL CORNER BRACKET (QTY 4)
51	0270L00081	INSULATED ASSY, ECONOMIZER DOOR
61	0270L00080	INSULATED ASSY, FILTER DOOR
NS	0160L00008	FILTER 14 X 20 X 2 (QTY 4)

*Image 2:*

12	0270L00079	INSULATED ASSY, DUCT PANEL
22	0270L00011	INSULATED ASSY, RETURN DUCT
32	0270L00012	INSULATED ASSY, SUPPLY DUCT
42	0270L00083	INSULATED ASSY, HEAT EXCHANGER DOOR
52	0270L00084	INSULATED ASSY, BLOWER DOOR
62	0121L00255RFDG	POST-BURNER DOOR
72	0121L00706DG	DOOR-BURNERS, PAINTED
82	0121L00262DG	LOUVERED CONTROL PANEL
NS	0121L00295DG	FLUE COLLAR
NS	0121L00689	RAIN SHIELD-DOOR
NS	0121L00321	SMOKE DETECTOR COVER

Expanded Model Nomenclature

M1 - CPG0480901DXCXBA
M2 - CPG0480901DXJXBA
M3 - CPG0480901DXSXBA
M4 - CPG0480901DXXXBA
M5 - CPG0480903DHXABA
M6 - CPG0480903DJANBA
M7 - CPG0480903DXJXBA
M8 - CPG0480903DXSXBA
M9 - CPG0480903DXXXBA
M10 - CPG0481151DXJXBA
M11 - CPG0481151DXSXBA
M12 - CPG0481151DXXXBA
M13 - CPG0481153DXJXBA
M14 - CPG0481153DXSXBA
M15 - CPG0481153DXXFBA
M16 - CPG0481153DXXXBA

# Partition Assy

Image 1

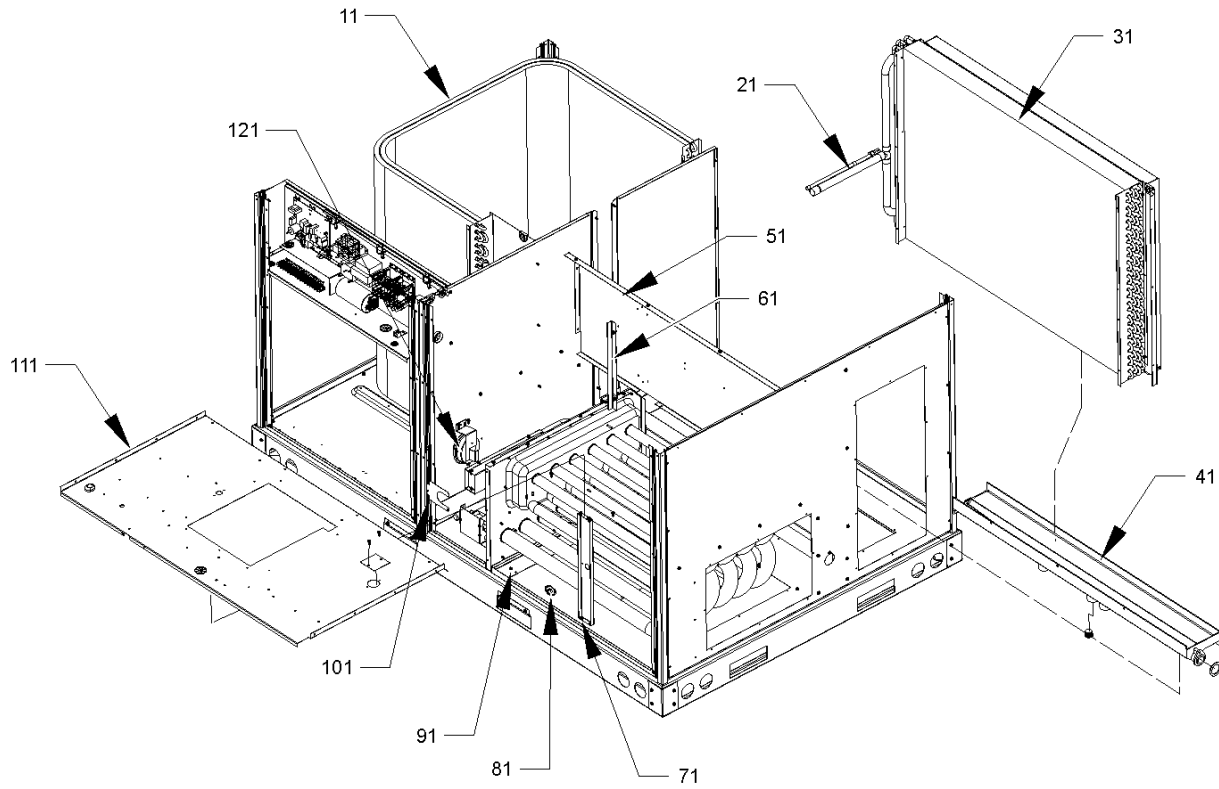
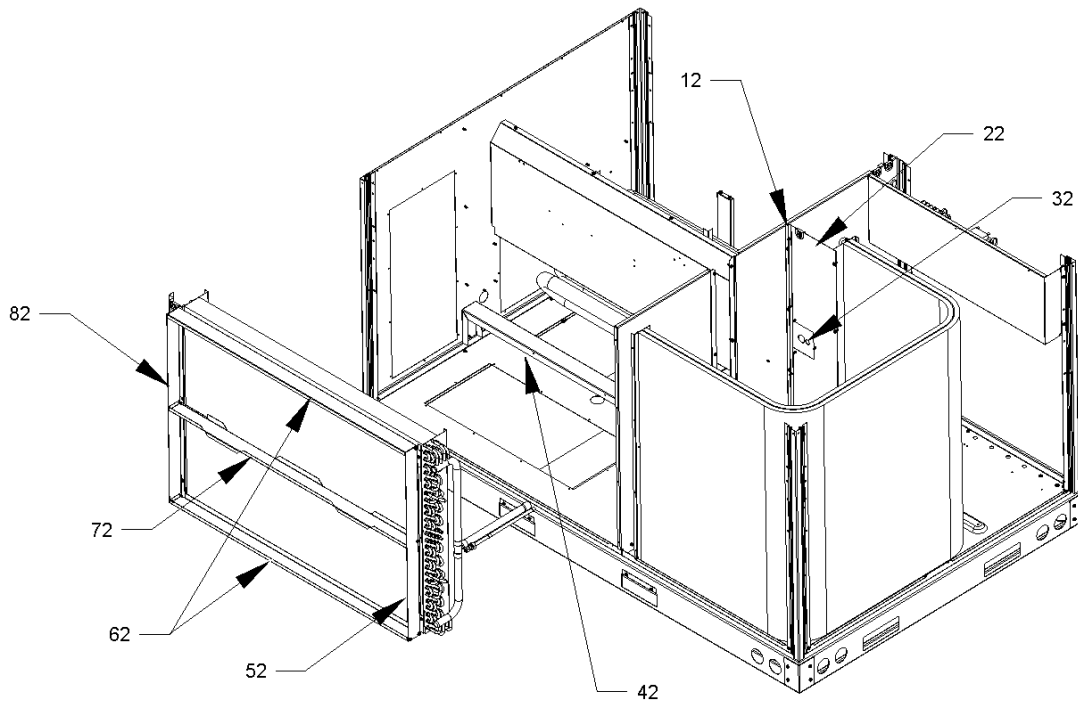


Image 2



# Partition Assy

Ref. Part No: No:	Description:	Ref. Part No: No:	Description:
-------------------	--------------	-------------------	--------------

*Image 1:*

11	0201L00036	TUBING ASSY, COND COIL (M1, M3, M4, M5, M6, M8, M9, M11, M12, M14, M15, M16)
11	0201L00045	TUBING ASSY, COND COIL (M2, M7, M10, M13)
21	0162M00108	FLOWRATOR .076
31	0202L00029	TUBING ASSY, EVAP COIL
41	0161L00005	DRAIN PAN
51	0121L00243	DECK SIDE CHANNEL
61	0121L00293	BACK ANGLE-HEAT EXCHANGER (QTY 2)
71	0121L00300	SUPPORT POST-DECK
81	B1370155	AUXILIARY LIMIT SWITCH 120°F (M1, M2, M3, M4, M5, M6, M7, M8, M9)
81	0130M00063	PRIMARY LIMIT - GOLD 140° (M10, M11, M12, M13, M14, M15, M16)
91	0121L00266	HEAT PANEL CHANNEL (QTY 2)
101	0121L00299DG	GAS VALVE BRACKET
111	0121L00981	DECK BLOWER
121	11112501	PRESSURE SWITCH
NS	A3468602	PRESSURE SWITCH HOSE

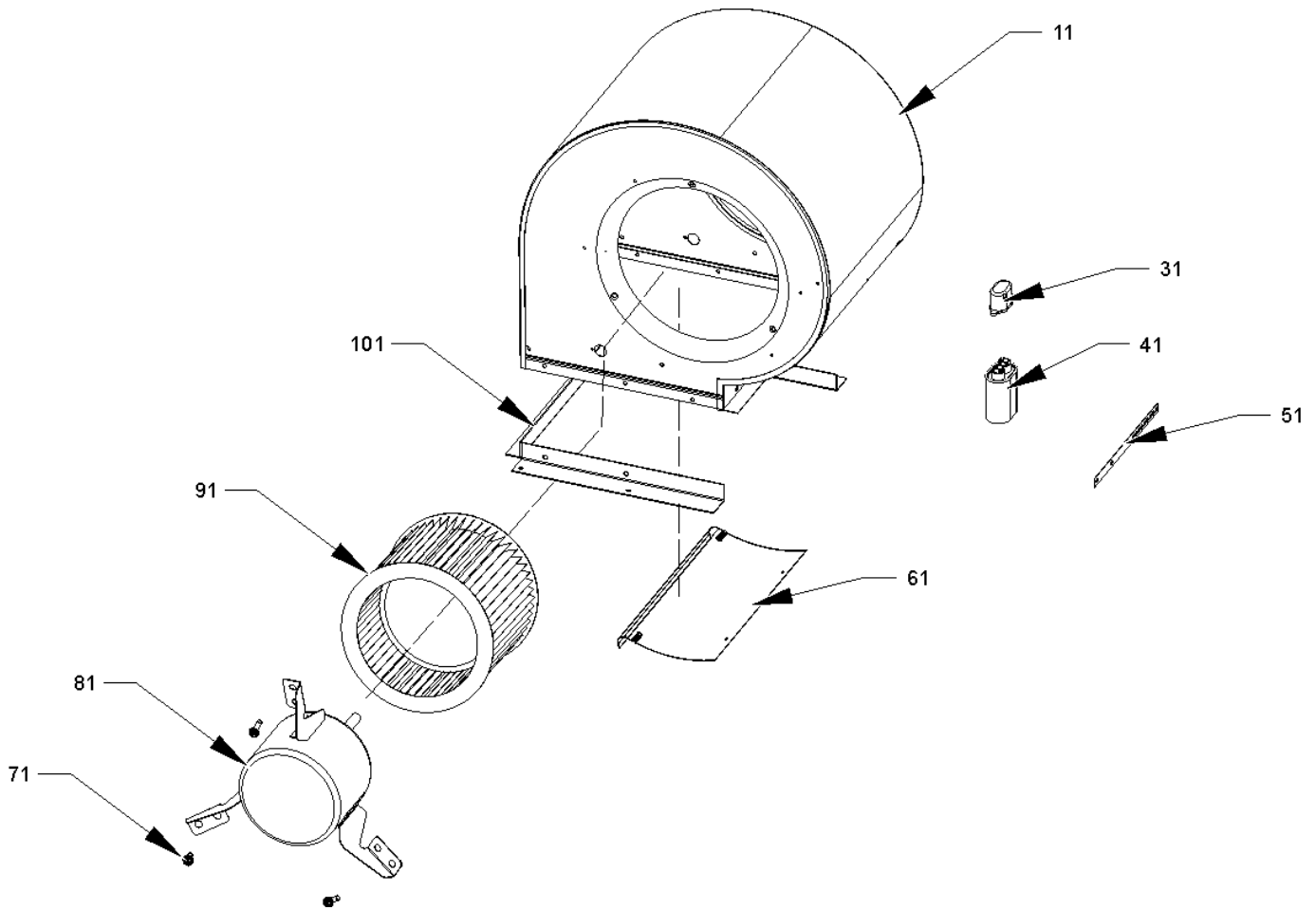
*Image 2:*

12	0121L00254	COND MOUNTING ANGLE
22	0121L00311	COND BLOCK-OFF
32	0121L00324	COND BLOCK-OFF PLATE
42	0121L00238	DRAIN PAN SUPPORT
52	0121L00287	FILTER ANGLE-VERTICAL (RETURN SIDE)
62	0121L00932	ANGLE-FILTER HORIZONTAL (QTY 2)
72	0121L00298	FILTER ANGLE-HORIZONTAL (CENTER)
82	0121L00303	FILTER ANGLE-VERTICAL (HAIRPIN SIDE)

Expanded Model Nomenclature

M1 - CPG0480901DXCXBA
M2 - CPG0480901DXJXBA
M3 - CPG0480901DXSXBA
M4 - CPG0480901DXXXBA
M5 - CPG0480903DHXABA
M6 - CPG0480903DJANBA
M7 - CPG0480903DXJXBA
M8 - CPG0480903DXSXBA
M9 - CPG0480903DXXXBA
M10 - CPG0481151DXJXBA
M11 - CPG0481151DXSXBA
M12 - CPG0481151DXXXBA
M13 - CPG0481153DXJXBA
M14 - CPG0481153DXSXBA
M15 - CPG0481153DXXFBA
M16 - CPG0481153DXXXBA

# Belt Drive Assy



# Belt Drive Assy

Ref. Part No: No:	Description:	Ref. Part No: No:	Description:
-------------------	--------------	-------------------	--------------

Image 1:

11	0271L00021	BLOWER HOUSING ASSY
31	B821700	CAPACITOR BOOT
41	CAP150000370VA	CAPACITOR 15/370V
51	20520901	CAPACITOR STRAP
61	C6121806	BLOWER CUT-OFF
71	M0250558	TC SCREW (QTY 3)
81	0131M00127	BLOWER MOTOR
91	D6723303	BLOWER WHEEL
101	0121L00308	BLOWER MOUNTING ANGLE

Expanded Model Nomenclature

M1 - CPG0480901DXCXBA
M2 - CPG0480901DXJXBA
M3 - CPG0480901DXSXBA
M4 - CPG0480901DXXXBA
M5 - CPG0480903DHXABA
M6 - CPG0480903DJANBA
M7 - CPG0480903DXJXBA
M8 - CPG0480903DXSXBA
M9 - CPG0480903DXXXBA
M10 - CPG0481151DXJXBA
M11 - CPG0481151DXSXBA
M12 - CPG0481151DXXXBA
M13 - CPG0481153DXJXBA
M14 - CPG0481153DXSXBA
M15 - CPG0481153DXXFBA
M16 - CPG0481153DXXXBA

# Heat Exchanger and Control Panel Assy

Image 1

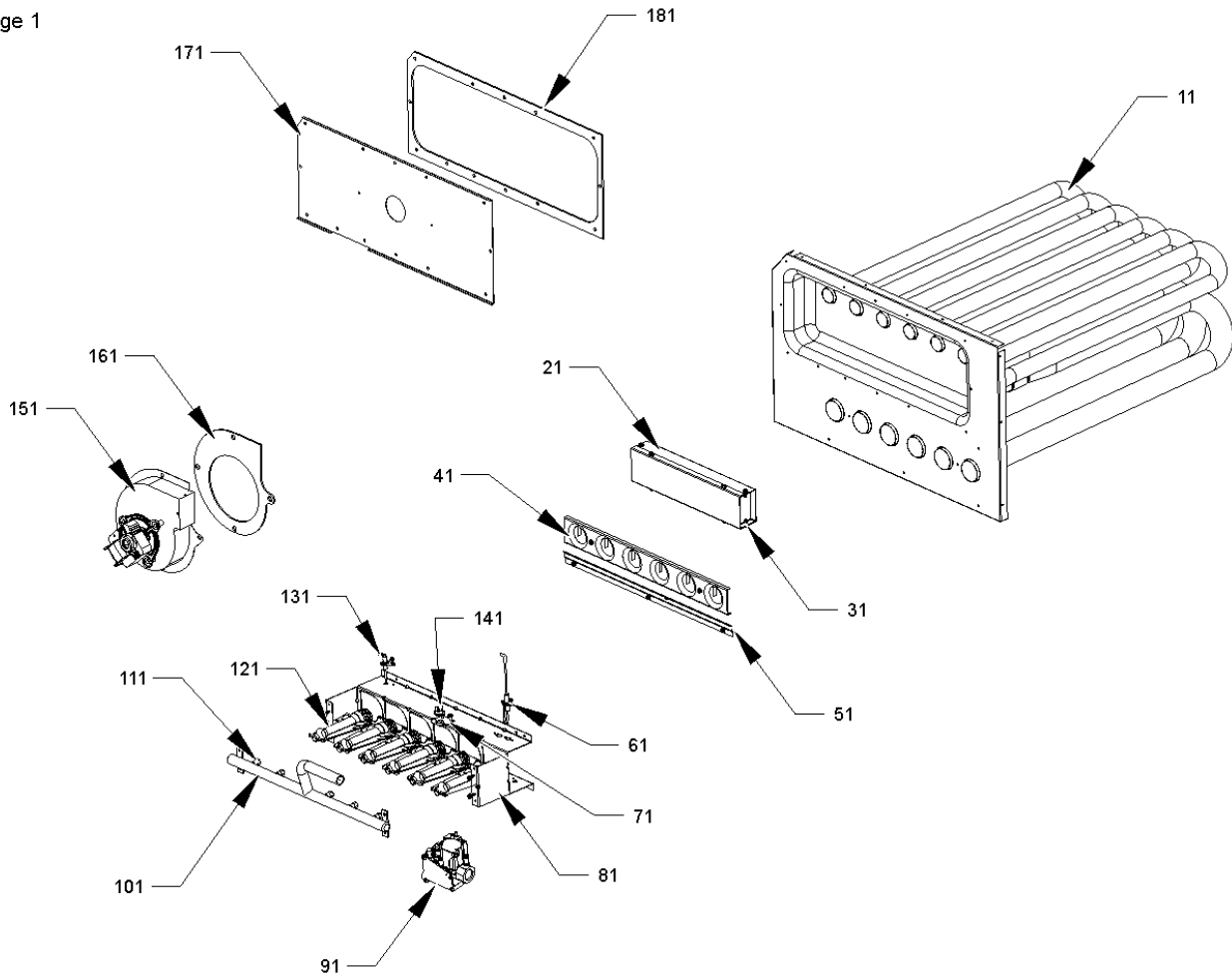
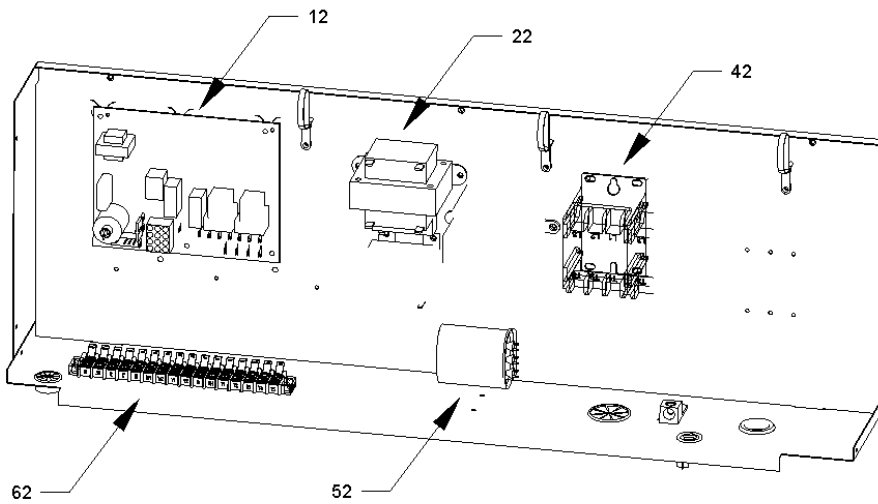


Image 2



# Heat Exchanger and Control Panel Assy

Ref. Part No: No:	Description:	Ref. Part No: No:	Description:
-------------------	--------------	-------------------	--------------

*Image 1:*

11	0270L00092	PART/TUBE ASSY 4B (M2, M4, M5, M6, M7, M9)
11	0270L00105	PART/TUBE ASSY 4B (M1, M3, M8)
11	0270L00110	PART/TUBE ASSY 5B (M10, M12, M13, M15, M16)
11	0270L00111	PART/TUBE ASSY 5B (M11, M14)
21	0121L00277	FLUE CHANNEL
31	0121L00278	FLUE SIDE COVER
41	11072203	ORIFICE SHIELD (M1, M2, M3, M4, M5, M6, M7, M8, M9)
41	11072204	ORIFICE SHIELD (M10, M11, M12, M13, M14, M15, M16)
51	0121L00267	BURNER SLIDE BRACKET
61	20261709	IGNITOR
71	0121L00053	FLAME ROLLOUT BRACKET
81	20190412	BURNER BRACKET 4B (M1, M2, M3, M4, M5, M6, M7, M8, M9)
81	20190413	BURNER BRACKET 5B (M10, M11, M12, M13, M14, M15, M16)
91	0151F00000P	GAS VALVE - WHITE-RODGERS 2-STAGE
101	0270L00093	MANIFOLD ASSEMBLY-4 BURNER (M1, M2, M3, M4, M5, M6, M7, M8, M9)
101	0270L00121	MANIFOLD ASSEMBLY-5 BURNER (M10, M11, M12, M13, M14, M15, M16)
111	10716003	ORIFICE (QTY A/R)
121	10735102	BECKETT BURNER (QTY A/R)
131	0130F00010	FLAME SENSOR
141	10123532	MANUAL RESET LIMIT 350°F
151	0131M00121	ID COMBUSTION BLOWER
161	0154L00020	ID BLOWER GASKET (M10, M11, M12, M13, M14, M15, M16)
171	0121L00284	ID BLOWER PLATE 4 BRNR (M1, M2, M3, M4, M5, M6, M7, M8, M9)
171	0121L00318	ID BLOWER PLATE 6 BRNR (M10, M11, M12, M13, M14, M15, M16)
181	0154L00018	ID BLOWER PLATE GASKET 4 BRNR (M1, M2, M3, M4, M5, M6, M7, M8, M9)
181	0154L00017	ID BLOWER PLATE GASKET 6 BRNR (M10, M11, M12, M13, M14, M15, M16)
NS	20269903	AUXILIARY LIMIT, AUTO RESET
NS	0163L00072	SCREEN-FLUE

Expanded Model Nomenclature

M1 - CPG0480901DXCXBA
M2 - CPG0480901DXJXBA
M3 - CPG0480901DXSXBA
M4 - CPG0480901DXXXBA
M5 - CPG0480903DHXABA
M6 - CPG0480903DJANBA
M7 - CPG0480903DXJXBA
M8 - CPG0480903DXSXBA
M9 - CPG0480903DXXXBA
M10 - CPG0481151DXJXBA
M11 - CPG0481151DXSXBA
M12 - CPG0481151DXXXBA
M13 - CPG0481153DXJXBA
M14 - CPG0481153DXSXBA
M15 - CPG0481153DXXFBA
M16 - CPG0481153DXXXBA

*Image 2:*

12	PCBAG123	IGNITION BOARD, DSI INTEGRATED
22	B1141643	TRANSFORMER 208/230, 24V
42	CONT3P025024V	CONTACTOR 25 AMP, 3P, 24V (M5, M6, M7, M8, M9, M13, M14, M15, M16)
42	CONT1P030024V	CONTACTOR 30 AMP, 1P, 24V (M1, M2, M3, M4, M10, M11, M12)
52	CAP050000370VA	CAPACITOR 5/370V (M5, M6, M7, M8, M9, M13, M14, M15, M16)
52	CAP050450440RT	CAPACITOR 5/45/440V (M1, M2, M3, M4, M10, M11, M12)
62	0130M00038	TERMINAL BOARD
NS	0259L00083	12-PIN GAS HARNESS
NS	20520901	CAPACITOR STRAP
NS	0259L00084	CONTROL HARNESS
NS	0259L00079	WIRE HARNESS, EVAP MOTOR
NS	0259L00054	WIRING HARNESS
NS	0259L00068	WIRING HARNESS
NS	0259L00069	WIRING HARNESS

# ACCESSORY PARTS LIST

# ACCESSORY PARTS

Ref. Part No:	Part No:	Description:	Ref. Part No:	Part No:	Description:
---------------	----------	--------------	---------------	----------	--------------

Image 1:

NS	0130M00065	CIRCUIT BREAKER, CONVENIENCE OUTLET (M6)
NS	0270L00107	CONVENIENCE OUTLET ASSEMBLY (M5, M15)
NS	DSC060A38Y001FI	DISCONNECT MODULE ASSY (M5, M6)
NS	DNECONGS3672B	ECONOMIZER, DOWNFLOW GAS/AC (M6)
NS	HAILGD03FI	HAIL GUARD ASSEMBLY (M1, M6)
NS	LAKT01FIAC	LOW AMBIENT KIT (M15)
NS	SDRKT01FI4	SMOKE DETECTOR ASSEMBLY (M6)
NS	0130M00061	TRANSFORMER, CONVENIENCE OUTLET (M6)

Expanded Model Nomenclature

- M1 - CPG0480901DXCXBA
- M2 - CPG0480901DXJXBA
- M3 - CPG0480901DXSXBA
- M4 - CPG0480901DXXXBA
- M5 - CPG0480903DHXABA
- M6 - CPG0480903DJANBA
- M7 - CPG0480903DXJXBA
- M8 - CPG0480903DXSXBA
- M9 - CPG0480903DXXXBA
- M10 - CPG0481151DXJXBA
- M11 - CPG0481151DXSXBA
- M12 - CPG0481151DXXXBA
- M13 - CPG0481153DXJXBA
- M14 - CPG0481153DXSXBA
- M15 - CPG0481153DXXFBA
- M16 - CPG0481153DXXXBA