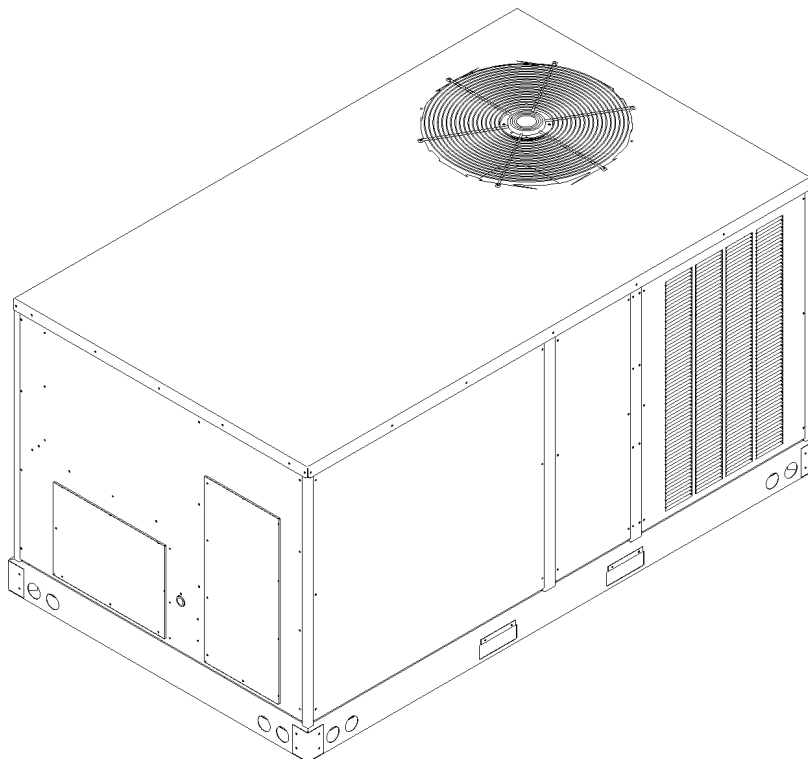


# REPAIR PARTS

Light Commercial Single Phase  
3 - 6 Ton Package Gas

---

CPG0360701DXJXAA  
CPG0360701DXXXAA  
CPG0361051DXJXAA  
CPG0361051DXXXAA  
CPG0480701DXJXAA  
CPG0480701DXXXAA  
CPG0481051DXJXAA  
CPG0481051DXXXAA  
CPG0600701DXJXAA  
CPG0600701DXXXAA  
CPG0601401DXJXAA  
CPG0601401DXXXAA



This manual is to be used by qualified technicians only.

This manual replaces RP-475A.

© 2008 Goodman Manufacturing Company, L.P. ♦ 5151 San Felipe, Suite 500 ♦ Houston, TX 77056

# Important Information

---

## Index

Functional Parts List .....	3
Illustration and Parts .....	4 - 15

*Views shown are for parts illustrations only, not servicing procedures.*

Rev. B: Added models CPG0360701DXJXAA, CPG0361051DXJXAA, CPG0480701DXJXAA, CPG0481051DXJXAA, CPG0600701DXJXAA, and CPG0601401DXJXAA.

### Text Codes:

AR - As Required

NA - Not Available

NS - Not Shown

00000000 - See Note

QTY - Quantity Example (QTY 3) (If Quantity not shown, Quantity = 1)

M - Model Example (M1) (If M Code not shown, then part is used on all Models)

### Expanded Model Nomenclature:

Example M1 - Model#1 M2 - Model#2 M3 - Model#3
---

Goodman Manufacturing Company, L.P. is not responsible for personal injury or property damage resulting from improper service. Review all service information before beginning repairs.

Warranty service must be performed by an authorized technician, using authorized factory parts. If service is required after the warranty expires, Goodman Manufacturing Company, L.P. also recommends contacting an authorized technician and using authorized factory parts.

Goodman Manufacturing Company, L.P. reserves the right to discontinue, or change at any time, specifications or designs without notice or without incurring obligations.

For assistance within the U.S.A. contact:  
Consumer Affairs Department  
Goodman Manufacturing Company, L.P.  
7401 Security Way  
Houston, Texas 77040  
877-254-4729-Telephone  
713-863-2382-Facsimile

For assistance outside the U.S.A. contact:  
International Division  
Goodman Manufacturing Company, L.P.  
7401 Security Way  
Houston, Texas 77040  
713-861-2500-Telephone  
713-863-2382-Facsimile

# Functional Parts

## Part

## No: Description:

## Expanded Model Nomenclature

0130M00025S	24V RELAY (M9, M10, M11, M12)	M1 - CPG0360701DXJXAA
20269903	AUXILIARY LIMIT, AUTO RESET	M2 - CPG0360701DXXXAA
0131L00000S	BLOWER MOTOR 1 HP PROGRAMMED X13 (M9, M10, M11, M12)	M3 - CPG0361051DXJXAA
0131M00091S	BLOWER MOTOR 230V (M5, M6, M7, M8)	M4 - CPG0361051DXXXAA
0131M00094S	BLOWER MOTOR 230V (M1, M2, M3, M4)	M5 - CPG0480701DXJXAA
CAP100000370VAS	CAPACITOR 10/370V [BLOWER] (M1, M2, M3, M4)	M6 - CPG0480701DXXXAA
CAP150000370VAS	CAPACITOR 15/370V [BLOWER] (M5, M6, M7, M8)	M7 - CPG0481051DXJXAA
CAP050450370RSS	CAPACITOR 5/45/370V [CONTROL BOX] (M1, M2, M3, M4, M5, M6, M7, M8)	M8 - CPG0481051DXXXAA
CAP050700370RTS	CAPACITOR 5/70/370V [CONTROL BOX] (M9, M10, M11, M12)	M9 - CPG0600701DXJXAA
ZP32K3EPFV930	COMPRESSOR 31100, 208/230/60/1 (M1, M2, M3, M4)	M10 - CPG0600701DXXXAA
ZP39K5EPFV830	COMPRESSOR 39000, 208/230/60/1 (M5, M6, M7, M8)	M11 - CPG0601401DXJXAA
ZP51K5EPFV830	COMPRESSOR 51000, 208/230/60/1 (M9, M10, M11, M12)	M12 - CPG0601401DXXXAA
0131M00007PS	COND MOTOR 1/4 HP, 1 SP, 8 PL	
CONT2P030024VS	CONTACTOR 30 AMP, 2P, 24V (M1, M2, M3, M4, M5, M6, M7, M8)	
CONT2P040024VS	CONTACTOR 40 AMP, 2P, 24V (M9, M10, M11, M12)	
0130M00030S	CUT-OUT SWITCH, HIGH PRESSURE	
0130L00002S	CUT-OUT SWITCH, LOW PRESSURE	
0130F00010	FLAME SENSOR	
B1282628	GAS VALVE (36G)	
PCBAG123S	IGNITION BOARD, DSI INTEGRATED	
0130L00000S	IGNITOR	
10123532	MANUAL RESET LIMIT	
11112501S	PRESSURE SWITCH	
B1370189	PRIMARY LIMIT SWITCH 200°F	
0130M00038S	TERMINAL BOARD	
B1141643	TRANSFORMER 208/230, 24V	
0131L00002S	VENT MOTOR	

## SPECIAL PARTS

0140L00058	GOODMAN LABEL
IO-336D	INSTALLATION INSTRUCTIONS
RP-475B	REPAIR PARTS MANUAL
HI-122	USERS MANUAL

# Top Panel/Tubing Assy

Image 1

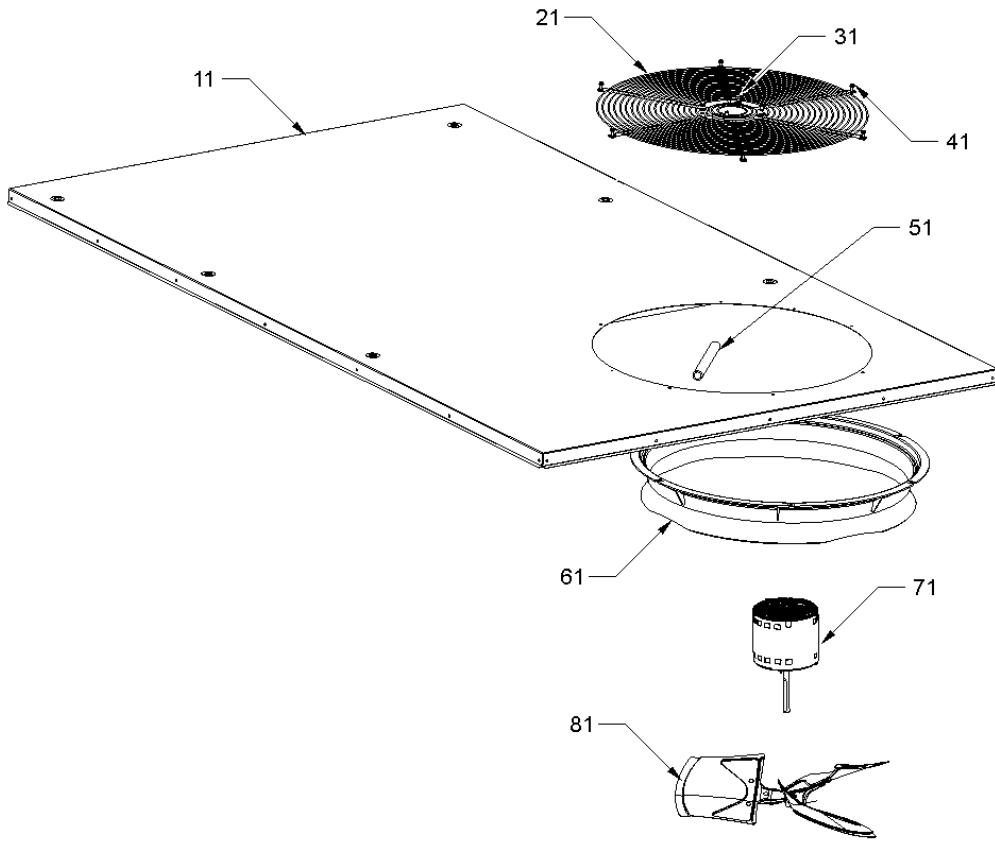
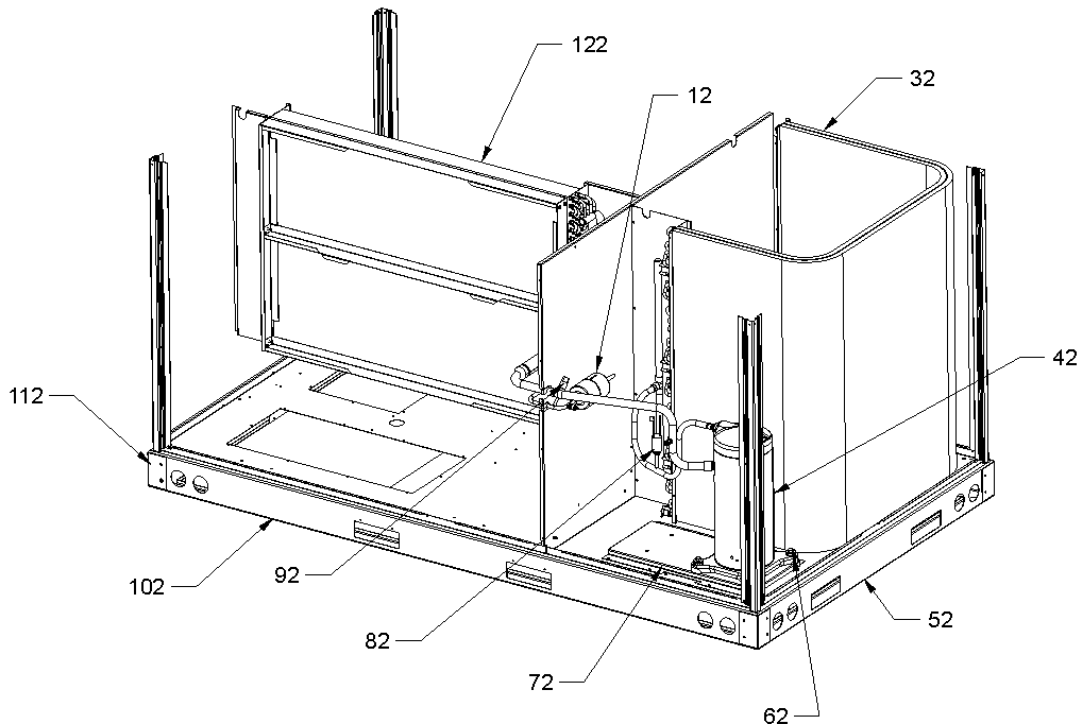


Image 2



# Top Panel/Tubing Assy

Ref. Part No: No:	Description:	Ref. Part No: No:	Description:
-------------------	--------------	-------------------	--------------

*Image 1:*

11	0274L00001S	INSULATED ASSY, TOP PANEL
21	0152G00002S	FAN GRILLE
31	0163M00006P	ACORN NUT 5/16 HEX BLACK (QTY 4)
41	0163M00004	SCREW #10X3/4", BLACK (QTY 9)
51	17788000083F	PVC CONDUIT 8.25"
61	0161L00000	VENTURI RING 22"
71	0131M00007PS	COND MOTOR 1/4 HP, 1 SP, 8 PL
81	0150G00001S	FAN BLADE

*Image 2:*

12	B5134711	FILTER DRIER (M9, M10, M11, M12)
12	B1219225	SINGLE-FLOW FILTER DRIER, STEEL (M1, M2, M3, M4, M5, M6, M7, M8)
32	0201L00000S	TUBING ASSY, COND COIL (M10, M12)
32	0201L00008S	TUBING ASSY, COND COIL (M2, M4, M6, M8)
32	0201L00019S	TUBING ASSY, COND COIL (M1, M3, M5, M7)
32	0201L00023S	TUBING ASSY, COND COIL (M9, M11)
42	ZP32K3EPFV930	COMPRESSOR 31100, 208/230/60/1 (M1, M2, M3, M4)
42	ZP39K5EPFV830	COMPRESSOR 39000, 208/230/60/1 (M5, M6, M7, M8)
42	ZP51K5EPFV830	COMPRESSOR 51000, 208/230/60/1 (M9, M10, M11, M12)
52	0121G00262S	BASEPAN RAIL-SHORT (QTY 2)
62	M0221641	TF SHOULDER SCREW (QTY 4)
72	0121L00004	COMPRESSOR MOUNTING PLATE
82	0130M00030S	CUT-OUT SWITCH, HIGH PRESSURE
92	0130L00002S	CUT-OUT SWITCH, LOW PRESSURE
102	0121G00261	BASEPAN RAIL-LONG (QTY 2)
112	0121G00301	RAIL CORNER BRACKET (QTY 4)
112	0202L00000S	TUBING ASSY, EVAP COIL (M9, M10, M11, M12)
112	0202L00009S	TUBING ASSY, EVAP COIL (M1, M2, M3, M4)
112	0202L00014S	TUBING ASSY, EVAP COIL (M5, M6, M7, M8)
NS	B1339533	COMPRESSOR GROMMET (QTY 4)
NS	0159L00000	COMPRESSOR SCROLL HARNESS
NS	0162M00074S	FLOWRATOR .082 [EVAP] (M9, M10, M11, M12)
NS	0162M00073S	FLOWRATOR [COND] (M9, M10, M11, M12)
NS	0162M00079S	FLOWRATOR [COND] (M1, M2, M3, M4, M5, M6, M7, M8)
NS	0162L00003S	FLOWRATOR [EVAP] (M5, M6, M7, M8)
NS	0162M00078S	FLOWRATOR [EVAP] (M1, M2, M3, M4)

Expanded Model Nomenclature

M1 - CPG0360701DXJXAA
M2 - CPG0360701DXXXAA
M3 - CPG0361051DXJXAA
M4 - CPG0361051DXXXAA
M5 - CPG0480701DXJXAA
M6 - CPG0480701DXXXAA
M7 - CPG0481051DXJXAA
M8 - CPG0481051DXXXAA
M9 - CPG0600701DXJXAA
M10 - CPG0600701DXXXAA
M11 - CPG0601401DXJXAA
M12 - CPG0601401DXXXAA

# Cabinet Assy

Image 1

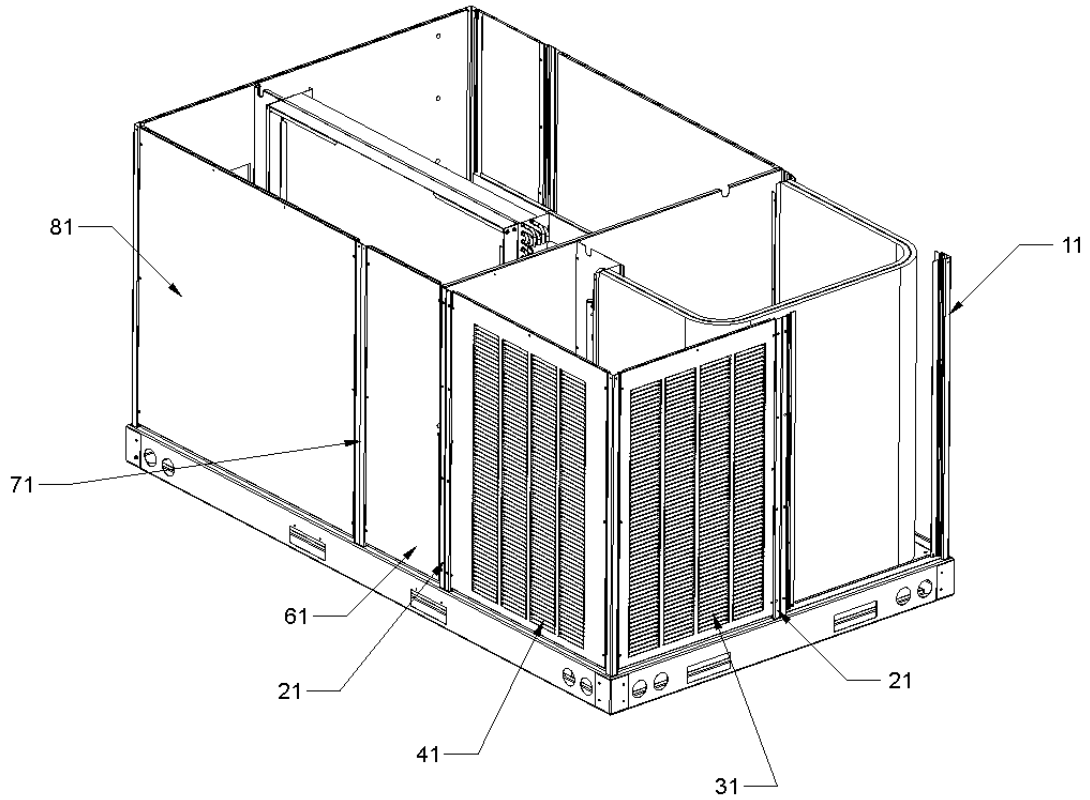
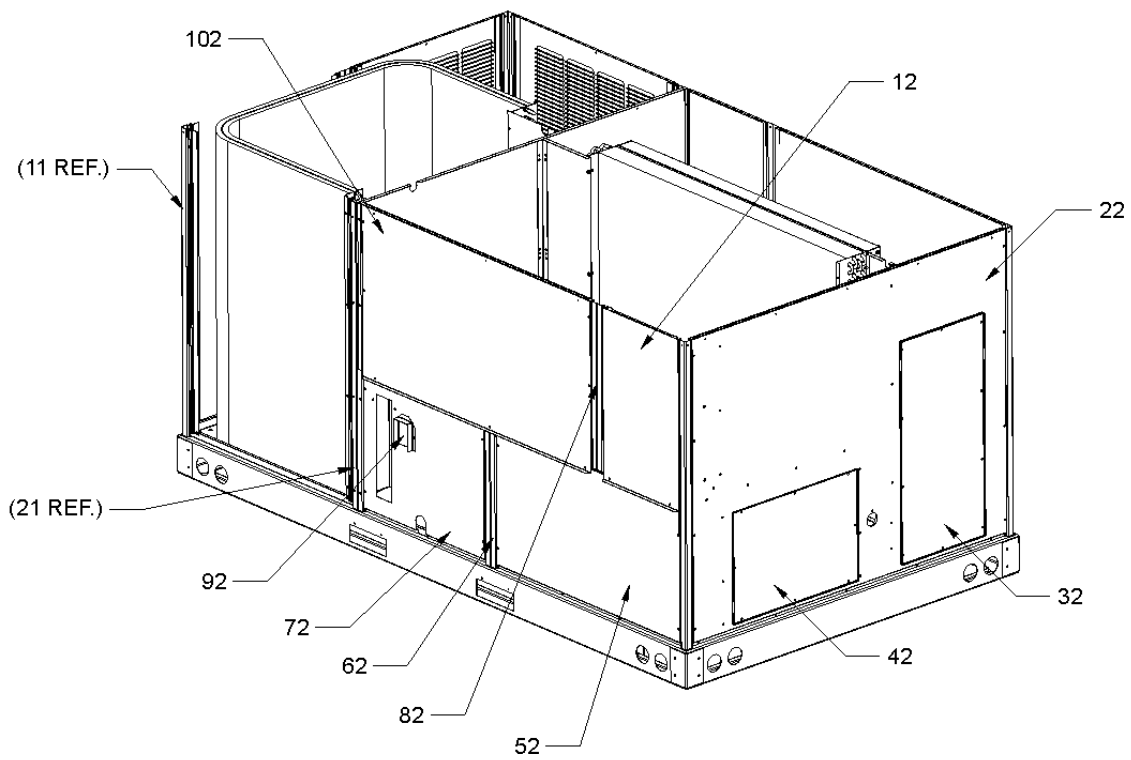


Image 2



# Cabinet Assy

Ref. Part No: No:	Description:	Ref. Part No: No:	Description:
-------------------	--------------	-------------------	--------------

*Image 1:*

11	0121G00253RFDG	CORNER POST 36" (QTY 4)
21	0121G00283RFDG	POST-SIDE SUPPORT (QTY 3)
31	0121L00128DGS	LOUVERED END PANEL
41	0121L00001DGS	LOUVERED SIDE PANEL
61	0270L00004S	INSULATED ASSY, FILTER DOOR
71	0121L00125RFDG	SIDE POST-FILTER DOOR
81	0270L00003S	INSULATED ASSY, ECONOMIZER DOOR
NS	0140L00058	GOODMAN LABEL

*Image 2:*

12	0121G00294DGS	CONTROL DOOR
22	0270L00001S	INSULATED ASSY, DUCT PANEL
32	0270L00011S	INSULATED ASSY, RETURN DUCT
42	0270L00012S	INSULATED ASSY, SUPPLY DUCT
52	0270L00018S	INSULATED ASSY, HEAT EXCHANGER DOOR
62	0121G00299RFDG	POST-BURNER DOOR
72	0121G00296DGS	BURNER DOOR
82	0121G00298RFDG	CONTROL POST
92	0121L00130DGS	FLUE COLLAR
102	0270L00002S	INSULATED ASSY, BLOWER DOOR
NS	0121L00129S	DOOR RAIN SHIELD

Expanded Model Nomenclature

M1 - CPG0360701DXJXAA
M2 - CPG0360701DXXXAA
M3 - CPG0361051DXJXAA
M4 - CPG0361051DXXXAA
M5 - CPG0480701DXJXAA
M6 - CPG0480701DXXXAA
M7 - CPG0481051DXJXAA
M8 - CPG0481051DXXXAA
M9 - CPG0600701DXJXAA
M10 - CPG0600701DXXXAA
M11 - CPG0601401DXJXAA
M12 - CPG0601401DXXXAA

# Partition Assy

Image 1

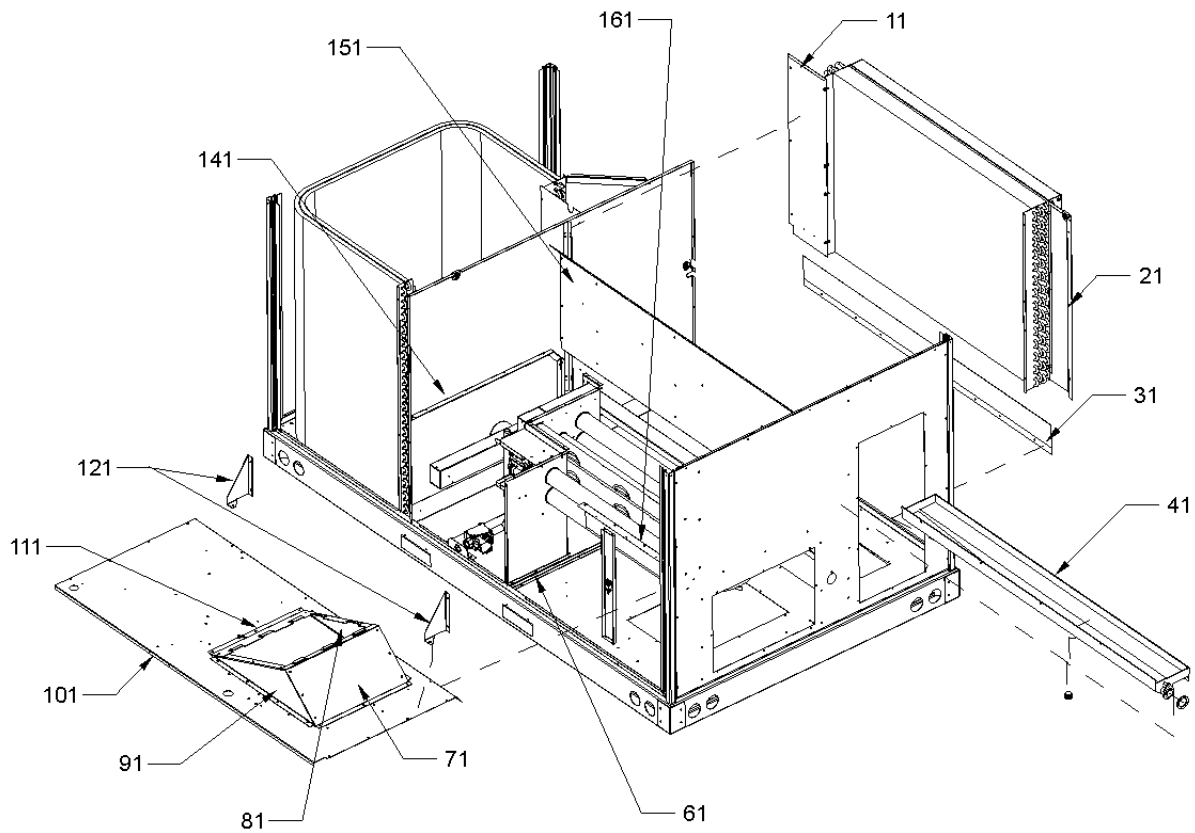
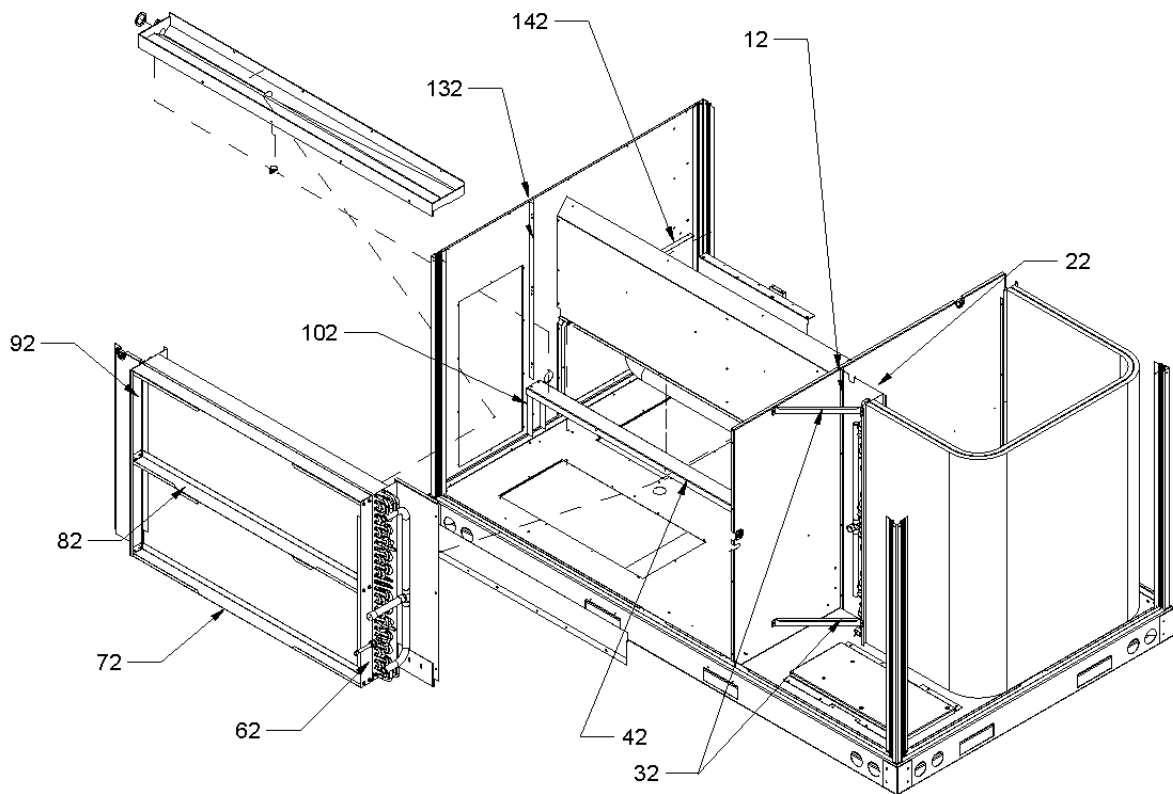


Image 2



# Partition Assy

**Ref. Part  
No: No:**

**Description:**

**Ref. Part  
No: No:**

**Description:**

*Image 1:*

11	0121G00256	EVAP EXTENSION-HAIRPIN SIDE (M5, M6, M7, M8, M9, M10, M11, M12)
11	0121L00153	EVAP EXTENSION-HAIRPIN SIDE (M1, M2, M3, M4)
21	0121G00255	EVAP EXTENSION-RETURN SIDE
31	0121L00016	EVAP BLOW-OFF SHIELD
41	0161L00001	DRAIN PAN
61	0121G00259	HEAT EXCHANGER BASE
71	0121G00264	BLOWER TRANSITION, RH END
81	0121G00266	BLOWER TRANSITION, BACK
91	0121G00265	BLOWER TRANSITION, FRONT
101	0121L00159	BLOWER DECK
111	0121G00267	BLOWER TRANSITION, LH END (M9, M10, M11, M12)
111	0121L00151	BLOWER TRANSITION, LH END (M1, M2, M3, M4, M5, M6, M7, M8)
121	0121L00062	EVAP COIL BRACE (QTY 2)
141	0121L00006	MOUNTING ANGLE-DECK, COND END
151	0121L00003	DECK SIDE CHANNEL
161	0121L00061	BLOWER BAFFLE

Expanded Model Nomenclature

M1 - CPG0360701DXJXAA
M2 - CPG0360701DXXXAA
M3 - CPG0361051DXJXAA
M4 - CPG0361051DXXXAA
M5 - CPG0480701DXJXAA
M6 - CPG0480701DXXXAA
M7 - CPG0481051DXJXAA
M8 - CPG0481051DXXXAA
M9 - CPG0600701DXJXAA
M10 - CPG0600701DXXXAA
M11 - CPG0601401DXJXAA
M12 - CPG0601401DXXXAA

*Image 2:*

12	0121L00008	COND MOUNTING ANGLE
22	0121L00064	COND COIL BRACE (QTY 2)
32	0121G00258	COND BLOCK-OFF
42	0121L00035	DRAIN PAN SUPPORT
62	0121L00204	FILTER ANGLE-VERTICAL (RETURN SIDE)
72	0121L00206	FILTER ANGLE-HORIZONTAL (QTY 2)
82	0121L00220	FILTER RACK STRAP (QTY 2)
92	0121L00205	FILTER ANGLE-VERTICAL (HAIRPIN SIDE)
102	0121L00036	SUPPORT LEG, DRAIN PAN
132	0121L00005	EVAP MOUNTING ANGLE (QTY 2)
142	0121L00007	MOUNTING ANGLE-DECK, DUCT END
NS	0160L00008	FILTER 14 X 20 X 2 (QTY 4)
NS	0121L00037	SUPPORT LEG, DRAIN PAN

# Blower Assy

Image 1

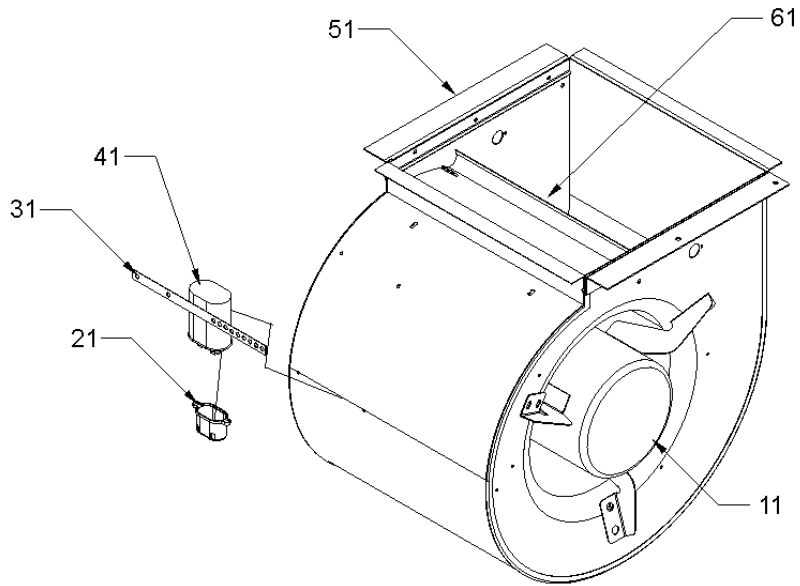
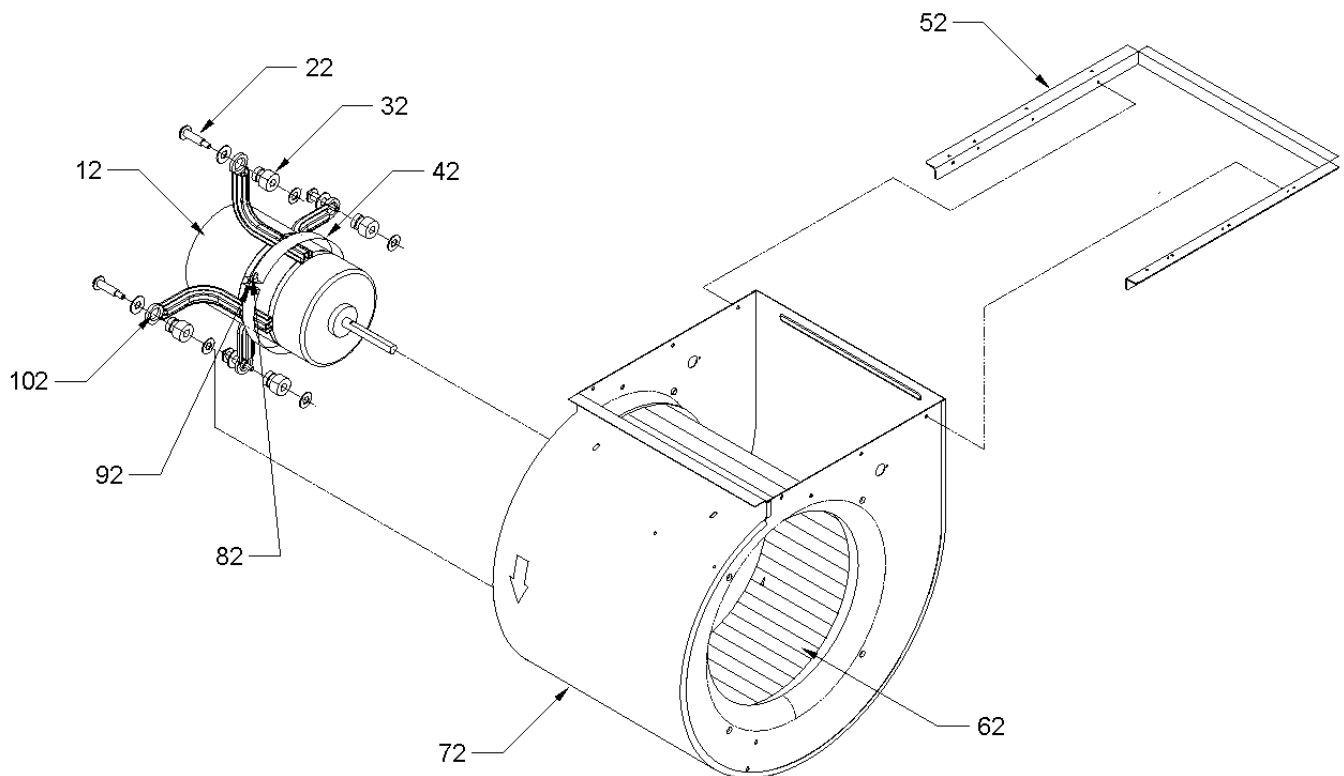


Image 2



# Blower Assy

Ref. Part No:	Part No:	Description:	Ref. Part No:	Part No:	Description:
---------------	----------	--------------	---------------	----------	--------------

*Image 1:*

11	0131M00091S	BLOWER MOTOR 230V (M5, M6, M7, M8)
11	0131M00094S	BLOWER MOTOR 230V (M1, M2, M3, M4)
21	B821700	CAPACITOR BOOT (M1, M2, M3, M4, M5, M6, M7, M8)
31	20520901	CAPACITOR STRAP
41	CAP100000370VAS	CAPACITOR 10/370V [BLOWER] (M1, M2, M3, M4)
41	CAP150000370VAS	CAPACITOR 15/370V [BLOWER] (M5, M6, M7, M8)
51	0121L00150	BLOWER MOUNTING ANGLE (M1, M2, M3, M4, M5, M6, M7, M8)
61	C6121806	BLOWER CUT-OFF (M1, M2, M3, M4, M5, M6, M7, M8)
61	C6121807	BLOWER CUT-OFF (M9, M10, M11, M12)
NS	M0250558	TC SCREW (M1, M2, M3, M4, M5, M6, M7, M8)

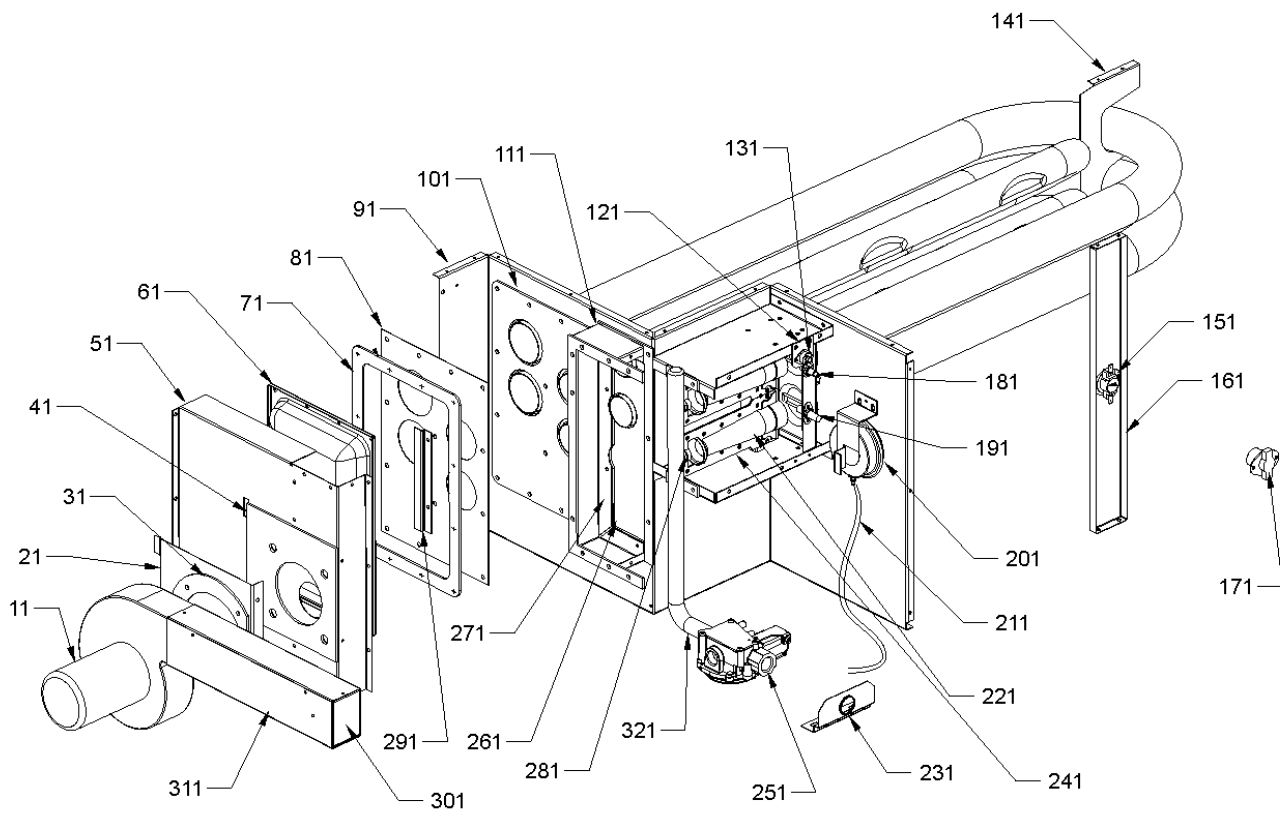
*Image 2:*

12	0131L00000S	BLOWER MOTOR 1 HP PROGRAMMED X13 (M9, M10, M11, M12)
22	M0221461	TC SCREW (M9, M10, M11, M12)
32	A4002702	GROMMET (M9, M10, M11, M12)
42	10441601	MOTOR MOUNT BAND (M9, M10, M11, M12)
52	0121L00022S	BLOWER MOUNTING ANGLE (M9, M10, M11, M12)
62	0150L00000S	BLOWER WHEEL (M9, M10, M11, M12)
62	0150M00014S	BLOWER WHEEL (M1, M2, M3, M4, M5, M6, M7, M8)
72	11185817	BLOWER HOUSING (M1, M2, M3, M4, M5, M6, M7, M8)
72	0271L00003	BLOWER HOUSING 11 X 10 (M9, M10, M11, M12)
102	10441501	MOTOR MOUNT ARM (M9, M10, M11, M12)

Expanded Model Nomenclature

M1 - CPG0360701DXJXAA
M2 - CPG0360701DXXXAA
M3 - CPG0361051DXJXAA
M4 - CPG0361051DXXXAA
M5 - CPG0480701DXJXAA
M6 - CPG0480701DXXXAA
M7 - CPG0481051DXJXAA
M8 - CPG0481051DXXXAA
M9 - CPG0600701DXJXAA
M10 - CPG0600701DXXXAA
M11 - CPG0601401DXJXAA
M12 - CPG0601401DXXXAA

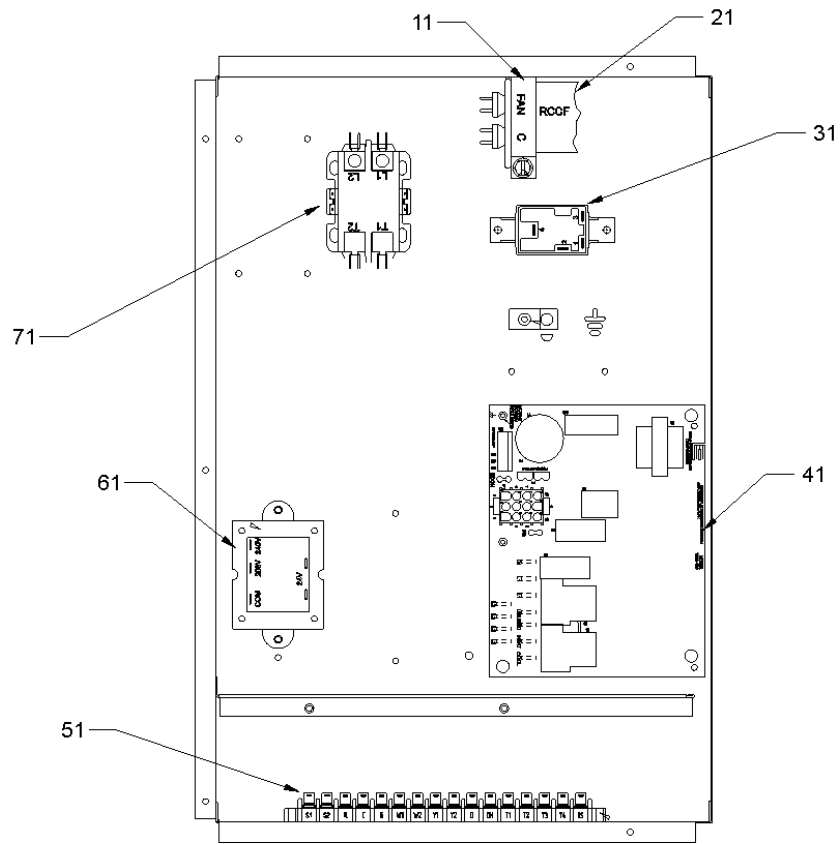
# Heat Exchanger Assy



# Heat Exchanger Assy

Ref. Part No:	No:	Description:	Ref. Part No:	No:	Description:												
<i>Image 1:</i>			241	0121G00291	BURNER BRACKET 2B (M1, M2, M5, M6, M9, M10)												
11	0131L00002S	VENT MOTOR	241	0121G00292	BURNER BRACKET 4B (M11, M12)												
21	0121L00044	MOUNTING PLATE-ID BLOWER (M11, M12)	251	B1282628	GAS VALVE (36G)												
21	0121L00078	MOUNTING PLATE-ID BLOWER (M1, M2, M5, M6, M9, M10)	261	0154L00000	INNER GASKET, COLLECTOR BOX (M11, M12)												
21	0121L00079	MOUNTING PLATE-ID BLOWER (M3, M4, M7, M8)	261	0154L00002	INNER GASKET, COLLECTOR BOX (M1, M2, M3, M4, M5, M6, M7, M8, M9, M10)												
31	0154L00007	GASKET, BLOWER/ORIFICE PLATE	271	0154L00001	OUTER GASKET, COLLECTOR BOX (M11, M12)												
41	0154L00006	GASKET, COLLECTOR/ORIFICE PLATE	271	0154L00003	OUTER GASKET, COLLECTOR BOX (M1, M2, M3, M4, M5, M6, M7, M8, M9, M10)												
51	0121G00303	COLLECTOR BOX COVER (M11, M12)	281	0163L00007	#34 ORIFICE (QTY AR)												
51	0121L00015	COLLECTOR BOX COVER (M1, M2, M3, M4, M5, M6, M7, M8, M9, M10)	291	0121L00020	RESTRICTOR-TUBE (M11, M12)												
61	20167201	REAR COVER, HEAT EXCHANGER (M1, M2, M3, M4, M5, M6, M7, M8, M9, M10)	291	0121L00021	RESTRICTOR-TUBE (M1, M2, M3, M4, M5, M6, M7, M8, M9, M10)												
61	20167202	REAR COVER, HEAT EXCHANGER (M11, M12)	301	0163L00006	FLUE SCREEN												
71	22320701	REAR COVER GASKET, HEAT EXCHANGER (M1, M2, M3, M4, M5, M6, M7, M8, M9, M10)	311	0121L00049	HEAT EXCHANGER FLUE (QTY 2)												
71	22320702	REAR COVER GASKET, HEAT EXCHANGER (M11, M12)	321	0163L00002	MANIFOLD - 2 BRNR (M1, M2, M5, M6, M9, M10)												
81	0121L00131	PLATE-2 TUBE PANEL (M1, M2, M5, M6, M9, M10)	321	0163L00003	MANIFOLD - 3 BRNR (M3, M4, M7, M8)												
81	0121L00158	PLATE-3 TUBE PANEL (M3, M4, M7, M8)	321	0163L00004	MANIFOLD - 4 BRNR (M11, M12)												
81	0121L00132	PLATE-4 TUBE PANEL (M11, M12)	NS	B1392609	SEAL STRIP, RED, 1/8 X 1/2 X 100 (QTY 3)												
91	0270L00021S	HEAT EXCHANGER ASSY 2B (M1, M2, M5, M6, M9, M10)	NS	0259L00040	VENT MOTOR HARNESS (M9, M10, M11, M12)												
91	0270L00052S	HEAT EXCHANGER ASSY 3B (M3, M4, M7, M8)	NS	0259L00053	VENT MOTOR HARNESS (M1, M2, M3, M4, M5, M6, M7, M8)												
91	0270L00007S	HEAT EXCHANGER ASSY 4B (M11, M12)	<b>Expanded Model Nomenclature</b>														
101	0154L00013	TUBE PLATE GASKET, HEAT EXCHANGER (M1, M2, M5, M6, M9, M10)	<table border="1"> <tr><td>M1 - CPG0360701DXJXAA</td></tr> <tr><td>M2 - CPG0360701DXXXAA</td></tr> <tr><td>M3 - CPG0361051DXJXAA</td></tr> <tr><td>M4 - CPG0361051DXXXAA</td></tr> <tr><td>M5 - CPG0480701DXJXAA</td></tr> <tr><td>M6 - CPG0480701DXXXAA</td></tr> <tr><td>M7 - CPG0481051DXJXAA</td></tr> <tr><td>M8 - CPG0481051DXXXAA</td></tr> <tr><td>M9 - CPG0600701DXJXAA</td></tr> <tr><td>M10 - CPG0600701DXXXAA</td></tr> <tr><td>M11 - CPG0601401DXJXAA</td></tr> <tr><td>M12 - CPG0601401DXXXAA</td></tr> </table>			M1 - CPG0360701DXJXAA	M2 - CPG0360701DXXXAA	M3 - CPG0361051DXJXAA	M4 - CPG0361051DXXXAA	M5 - CPG0480701DXJXAA	M6 - CPG0480701DXXXAA	M7 - CPG0481051DXJXAA	M8 - CPG0481051DXXXAA	M9 - CPG0600701DXJXAA	M10 - CPG0600701DXXXAA	M11 - CPG0601401DXJXAA	M12 - CPG0601401DXXXAA
M1 - CPG0360701DXJXAA																	
M2 - CPG0360701DXXXAA																	
M3 - CPG0361051DXJXAA																	
M4 - CPG0361051DXXXAA																	
M5 - CPG0480701DXJXAA																	
M6 - CPG0480701DXXXAA																	
M7 - CPG0481051DXJXAA																	
M8 - CPG0481051DXXXAA																	
M9 - CPG0600701DXJXAA																	
M10 - CPG0600701DXXXAA																	
M11 - CPG0601401DXJXAA																	
M12 - CPG0601401DXXXAA																	
101	0154L00014	TUBE PLATE GASKET, HEAT EXCHANGER (M11, M12)															
101	0154L00016	TUBE PLATE GASKET, HEAT EXCHANGER (M3, M4, M7, M8)															
111	0121G00304	COLLECTOR BOX CHANNEL (M11, M12)															
111	0121L00014	COLLECTOR BOX CHANNEL (M1, M2, M3, M4, M5, M6, M7, M8, M9, M10)															
121	0121L00053	FLAME ROLLOUT BRACKET															
131	10123532	MANUAL RESET LIMIT															
141	0121L00046	HEAT EXCHANGER TUBES SUPPORT (M11, M12)															
141	0121L00047	HEAT EXCHANGER TUBES SUPPORT (M3, M4, M7, M8)															
141	0121L00048	HEAT EXCHANGER TUBES SUPPORT (M1, M2, M5, M6, M9, M10)															
151	B1370189	PRIMARY LIMIT SWITCH 200°F															
161	0121L00056	POST-LIMIT SWITCH															
171	20269903	AUXILIARY LIMIT, AUTO RESET															
181	0130F00010	FLAME SENSOR															
191	0130L00000S	IGNITOR															
201	11112501S	PRESSURE SWITCH															
211	A3468601	PRESSURE SWITCH HOSE (QTY 2)															
221	0163L00000	BECKETT BURNER (QTY 2)															
231	0121L00126	PIPE BRACKET-GAS VALVE															
241	0121G00269	BURNER BRACKET (M3, M4, M7, M8)															

# Control Panel



# Control Panel

Ref. Part No:	Part No:	Description:	Ref. Part No:	Part No:	Description:
---------------	----------	--------------	---------------	----------	--------------

Image 1:

11	20520901	CAPACITOR STRAP			
21	CAP050450370RSS	CAPACITOR 5/45/370V [CONTROL BOX] (M1, M2, M3, M4, M5, M6, M7, M8)			
21	CAP050700370RTS	CAPACITOR 5/70/370V [CONTROL BOX] (M9, M10, M11, M12)			
31	0130M00025S	24V RELAY (M9, M10, M11, M12)			
41	PCBAG123S	IGNITION BOARD, DSI INTEGRATED			
51	0130M00038S	TERMINAL BOARD			
61	B1141643	TRANSFORMER 208/230, 24V			
71	CONT2P030024VS	CONTACTOR 30 AMP, 2P, 24V (M1, M2, M3, M4, M5, M6, M7, M8)			
71	CONT2P040024VS	CONTACTOR 40 AMP, 2P, 24V (M9, M10, M11, M12)			
NS	0259L00009	12-PIN HARNESS, DSI INTEGRATED CONTROL (M9, M10, M11, M12)			
NS	0259L00039	12-PIN HARNESS, DSI INTEGRATED CONTROL (M1, M2, M3, M4, M5, M6, M7, M8)			
NS	0259L00000	COND MOTOR HARNESS (M9, M10, M11, M12)			
NS	0259L00000	COND MOTOR HARNESS (M1, M2, M3, M4, M5, M6, M7, M8)			
NS	0259L00007	CONTROL HARNESS 230V (M9, M10, M11, M12)			
NS	0259L00038	CONTROL HARNESS 230V (M1, M2, M3, M4, M5, M6, M7, M8)			
NS	0259L00011	ECONOMIZER HARNESS			
NS	0259L00036	EVAP MOTOR HARNESS, PSC (M1, M2, M3, M4, M5, M6, M7, M8)			
NS	0130M00021	WIRE HARNESS, X-13 LOW VOLTAGE (M9, M10, M11, M12)			
NS	0130M00022	X-13 POWER HARNESS (M9, M10, M11, M12)			

## Expanded Model Nomenclature

M1 - CPG0360701DXJXAA
M2 - CPG0360701DXXXAA
M3 - CPG0361051DXJXAA
M4 - CPG0361051DXXXAA
M5 - CPG0480701DXJXAA
M6 - CPG0480701DXXXAA
M7 - CPG0481051DXJXAA
M8 - CPG0481051DXXXAA
M9 - CPG0600701DXJXAA
M10 - CPG0600701DXXXAA
M11 - CPG0601401DXJXAA
M12 - CPG0601401DXXXAA