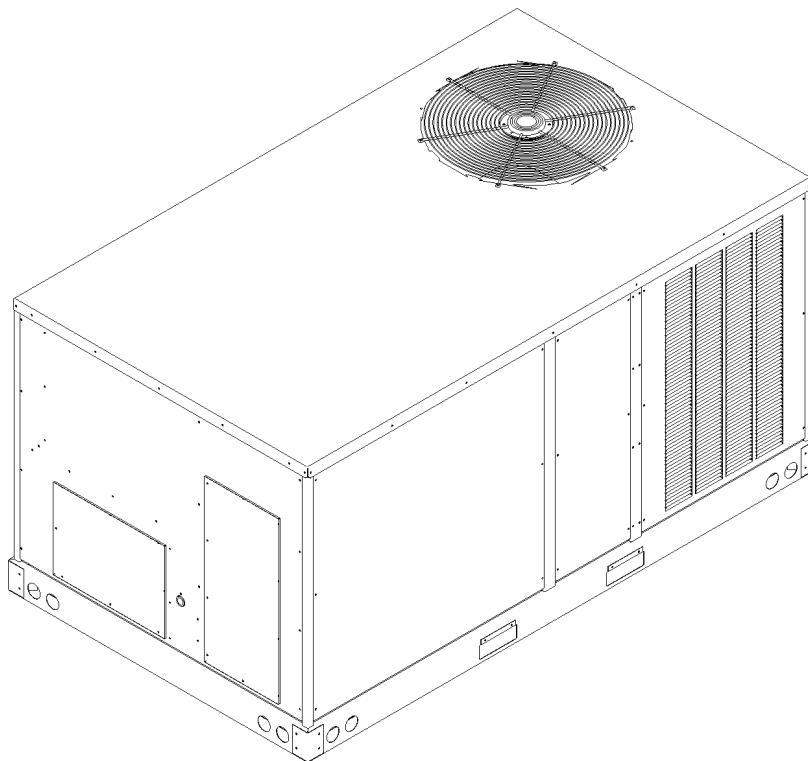


REPAIR PARTS

Light Commercial 3 Phase 3 & 4 Ton Package Gas

CPG0360703BXJXAA
CPG0360703BXXXAA
CPG0360703DXJXAA
CPG0360703DXXXAA
CPG0360704BXJXAA
CPG0360704BXXXAA
CPG0361053BXJXAA
CPG0361053BXXXAA
CPG0361053DXJXAA
CPG0361053DXXXAA
CPG0361054BXJXAA
CPG0361054BXXXAA
CPG0361057BXXXAA
CPG0480703BXJXAA
CPG0480703BXXXAA
CPG0480703DXJXAA
CPG0480703DXXXAA
CPG0480704BXJXAA
CPG0480704BXXXAA
CPG0481053BXJXAA
CPG0481053BXXXAA
CPG0481053DXJXAA
CPG0481053DXXXAA
CPG0481054BXJXAA
CPG0481054BXXXAA
CPG0481057BXXXAA



This manual is to be used by qualified technicians only.

This manual replaces RP-510.

© 2008 Goodman Manufacturing Company, L.P. ♦ 5151 San Felipe, Suite 500 ♦ Houston, TX 77056

Important Information

Index

Functional Parts List	3
Illustration and Parts	4 - 17

Views shown are for parts illustrations only, not servicing procedures.

Rev. A: Added CPG0361057BXXXAA, CPG0481057BXXXAA, CPG0360703BXJXAA, CPG0360703DXJXAA, CPG0360704BXJXAA, CPG0361053BXJXAA, CPG0361053DXJXAA, CPG0361054BXJXAA, CPG0480703BXJXAA, CPG0480703DXJXAA, CPG0480704BXJXAA, CPG0481053BXJXAA, CPG0481053DXJXAA, and CPG0481054BXJXAA .

Text Codes:

AR - As Required

NA - Not Available

NS - Not Shown

00000000 - See Note

QTY - Quantity Example (QTY 3) (If Quantity not shown, Quantity = 1)

M - Model Example (M1) (If M Code not shown, then part is used on all Models)

Expanded Model Nomenclature:

Example M1 - Model#1 M2 - Model#2 M3 - Model#3

Goodman Manufacturing Company, L.P. is not responsible for personal injury or property damage resulting from improper service. Review all service information before beginning repairs.

Warranty service must be performed by an authorized technician, using authorized factory parts. If service is required after the warranty expires, Goodman Manufacturing Company, L.P. also recommends contacting an authorized technician and using authorized factory parts.

Goodman Manufacturing Company, L.P. reserves the right to discontinue, or change at any time, specifications or designs without notice or without incurring obligations.

For assistance within the U.S.A. contact:
Consumer Affairs Department
Goodman Manufacturing Company, L.P.
7401 Security Way
Houston, Texas 77040
877-254-4729-Telephone
713-863-2382-Facsimile

For assistance outside the U.S.A. contact:
International Division
Goodman Manufacturing Company, L.P.
7401 Security Way
Houston, Texas 77040
713-861-2500-Telephone
713-863-2382-Facsimile

Functional Parts

Part

No: Description:

Part No:	Description:	Part No:	Description:																										
B1370751	24V RELAY (M1, M2, M7, M8, M14, M15, M20, M21)	B1141643	TRANSFORMER 208/230, 24V (M1, M2, M3, M4, M7, M8, M9, M10, M14, M15, M16, M17, M20, M21, M22, M23)																										
0130M00025S	24V RELAY (M5, M6, M11, M12, M13, M18, M19, M24, M25, M26)	B1141663	TRANSFORMER 460V TO 23V, 150 VA (M5, M6, M11, M12, M18, M19, M24, M25)																										
20269903	AUXILIARY LIMIT, AUTO RESET (M3, M4, M9, M10, M16, M17, M22, M23)	B1141653	TRANSFORMER 480V, 75VA, RESETTABLE (M5, M6, M11, M12, M18, M19, M24, M25)																										
B1370166	AUXILIARY LIMIT-TEMPERATURE CONTROL (M1, M2, M5, M6, M7, M8, M11, M12, M13, M14, M15, M18, M19, M20, M21, M24, M25, M26)	0130M00044S	TRANSFORMER 575/230V (M13, M26)																										
0131L00003S	BELT DRIVE MOTOR 1 HP (M1, M2, M5, M6, M7, M8, M11, M12, M14, M15, M18, M19, M20, M21, M24, M25)	0130M00045S	TRANSFORMER 575/24V (M13, M26)																										
0131L00004S	BELT DRIVE MOTOR 1.5 HP 575V (M13, M26)	0131L00002S	VENT MOTOR																										
0131M00091S	BLOWER MOTOR 230V (M16, M17, M22, M23)	SPECIAL PARTS																											
0131M00094S	BLOWER MOTOR 230V (M3, M4, M9, M10)	0140L00058	GOODMAN LABEL																										
CAP100000370VAS	CAPACITOR 10/370V [BLOWER] (M3, M4, M9, M10)	IO-336D	INSTALLATION INSTRUCTIONS																										
CAP150000370VAS	CAPACITOR 15/370V [BLOWER] (M16, M17, M22, M23)	RP-510A	REPAIR PARTS MANUAL																										
CAP050000370VAS	CAPACITOR 5/370V [CONTROL BOX]	HI-122	USERS MANUAL																										
ZP31K5ETFE830	COMPRESSOR 31100, 575/60/3 (M13)	Expanded Model Nomenclature																											
ZP31K5ETF5830	COMPRESSOR 31200, 200/230/60/3 (M1, M2, M3, M4, M7, M8, M9, M10)	<table border="1"> <tbody> <tr><td>M1 - CPG0360703BXJXAA</td></tr> <tr><td>M2 - CPG0360703BXXXAA</td></tr> <tr><td>M3 - CPG0360703DXJXAA</td></tr> <tr><td>M4 - CPG0360703DXXXAA</td></tr> <tr><td>M5 - CPG0360704BXJXAA</td></tr> <tr><td>M6 - CPG0360704BXXXAA</td></tr> <tr><td>M7 - CPG0361053BXJXAA</td></tr> <tr><td>M8 - CPG0361053BXXXAA</td></tr> <tr><td>M9 - CPG0361053DXJXAA</td></tr> <tr><td>M10 - CPG0361053DXXXAA</td></tr> <tr><td>M11 - CPG0361054BXJXAA</td></tr> <tr><td>M12 - CPG0361054BXXXAA</td></tr> <tr><td>M13 - CPG0361057BXXXAA</td></tr> <tr><td>M14 - CPG0480703BXJXAA</td></tr> <tr><td>M15 - CPG0480703BXXXAA</td></tr> <tr><td>M16 - CPG0480703DXJXAA</td></tr> <tr><td>M17 - CPG0480703DXXXAA</td></tr> <tr><td>M18 - CPG0480704BXJXAA</td></tr> <tr><td>M19 - CPG0480704BXXXAA</td></tr> <tr><td>M20 - CPG0481053BXJXAA</td></tr> <tr><td>M21 - CPG0481053BXXXAA</td></tr> <tr><td>M22 - CPG0481053DXJXAA</td></tr> <tr><td>M23 - CPG0481053DXXXAA</td></tr> <tr><td>M24 - CPG0481054BXJXAA</td></tr> <tr><td>M25 - CPG0481054BXXXAA</td></tr> <tr><td>M26 - CPG0481057BXXXAA</td></tr> </tbody> </table>		M1 - CPG0360703BXJXAA	M2 - CPG0360703BXXXAA	M3 - CPG0360703DXJXAA	M4 - CPG0360703DXXXAA	M5 - CPG0360704BXJXAA	M6 - CPG0360704BXXXAA	M7 - CPG0361053BXJXAA	M8 - CPG0361053BXXXAA	M9 - CPG0361053DXJXAA	M10 - CPG0361053DXXXAA	M11 - CPG0361054BXJXAA	M12 - CPG0361054BXXXAA	M13 - CPG0361057BXXXAA	M14 - CPG0480703BXJXAA	M15 - CPG0480703BXXXAA	M16 - CPG0480703DXJXAA	M17 - CPG0480703DXXXAA	M18 - CPG0480704BXJXAA	M19 - CPG0480704BXXXAA	M20 - CPG0481053BXJXAA	M21 - CPG0481053BXXXAA	M22 - CPG0481053DXJXAA	M23 - CPG0481053DXXXAA	M24 - CPG0481054BXJXAA	M25 - CPG0481054BXXXAA	M26 - CPG0481057BXXXAA
M1 - CPG0360703BXJXAA																													
M2 - CPG0360703BXXXAA																													
M3 - CPG0360703DXJXAA																													
M4 - CPG0360703DXXXAA																													
M5 - CPG0360704BXJXAA																													
M6 - CPG0360704BXXXAA																													
M7 - CPG0361053BXJXAA																													
M8 - CPG0361053BXXXAA																													
M9 - CPG0361053DXJXAA																													
M10 - CPG0361053DXXXAA																													
M11 - CPG0361054BXJXAA																													
M12 - CPG0361054BXXXAA																													
M13 - CPG0361057BXXXAA																													
M14 - CPG0480703BXJXAA																													
M15 - CPG0480703BXXXAA																													
M16 - CPG0480703DXJXAA																													
M17 - CPG0480703DXXXAA																													
M18 - CPG0480704BXJXAA																													
M19 - CPG0480704BXXXAA																													
M20 - CPG0481053BXJXAA																													
M21 - CPG0481053BXXXAA																													
M22 - CPG0481053DXJXAA																													
M23 - CPG0481053DXXXAA																													
M24 - CPG0481054BXJXAA																													
M25 - CPG0481054BXXXAA																													
M26 - CPG0481057BXXXAA																													
ZP31K5ETFD830	COMPRESSOR 31200, 460/60/3 (M5, M6, M11, M12)																												
ZP39K5ETF5830	COMPRESSOR 39000, 200/230/60/3 (M14, M15, M16, M17, M20, M21, M22, M23)																												
ZP39K5ETFD830	COMPRESSOR 39000, 460/60/3 (M18, M19, M24, M25)																												
ZP39K5ETFE830	COMPRESSOR 39000, 575/60/3 (M26)																												
0131M00007PS	COND MOTOR 1/4 HP, 1 SP, 8 PL (M1, M2, M3, M4, M7, M8, M9, M10, M14, M15, M16, M17, M20, M21, M22, M23)																												
B13400269S	COND MOTOR 380/460 50/60 CYCLE (M5, M6, M11, M12, M18, M19, M24, M25)																												
0131M00098S	COND MOTOR 575V (M13, M26)																												
CONT3P025024VS	CONTACTOR 25 AMP, 3P, 24V (M3, M4, M5, M6, M9, M10, M11, M12, M13, M16, M17, M18, M19, M22, M23, M24, M25, M26)																												
CONT3P030024VS	CONTACTOR 30 AMP, 3P, 24V (QTY 2) (M1, M2, M7, M8, M14, M15, M20, M21)																												
0130M00030S	CUT-OUT SWITCH, HIGH PRESSURE																												
0130L00002S	CUT-OUT SWITCH, LOW PRESSURE																												
B1282628	GAS VALVE (36G)																												
PCBAG123S	IGNITION BOARD, DSI INTEGRATED																												
0130L00000S	IGNITOR																												
10123532	MANUAL RESET LIMIT 300°F																												
11112501S	PRESSURE SWITCH																												
B1370189	PRIMARY LIMIT SWITCH 200°F																												
0130M00038S	TERMINAL BOARD																												

Top Panel/Tubing Assy

Image 1

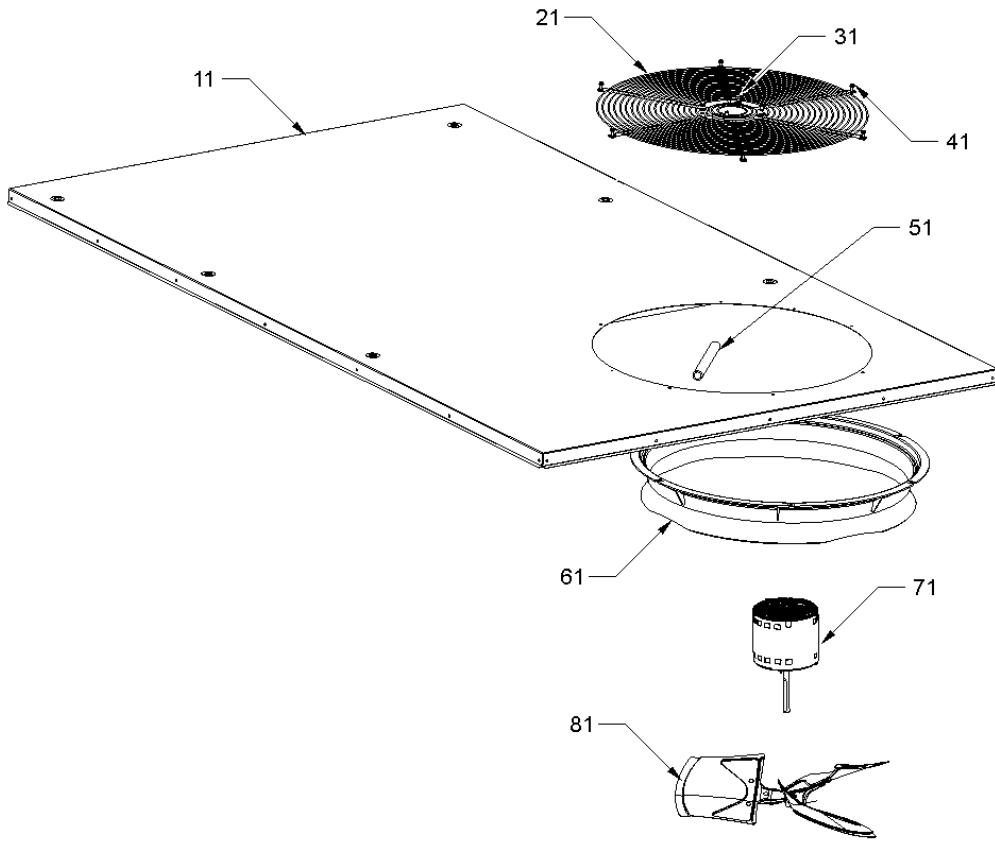
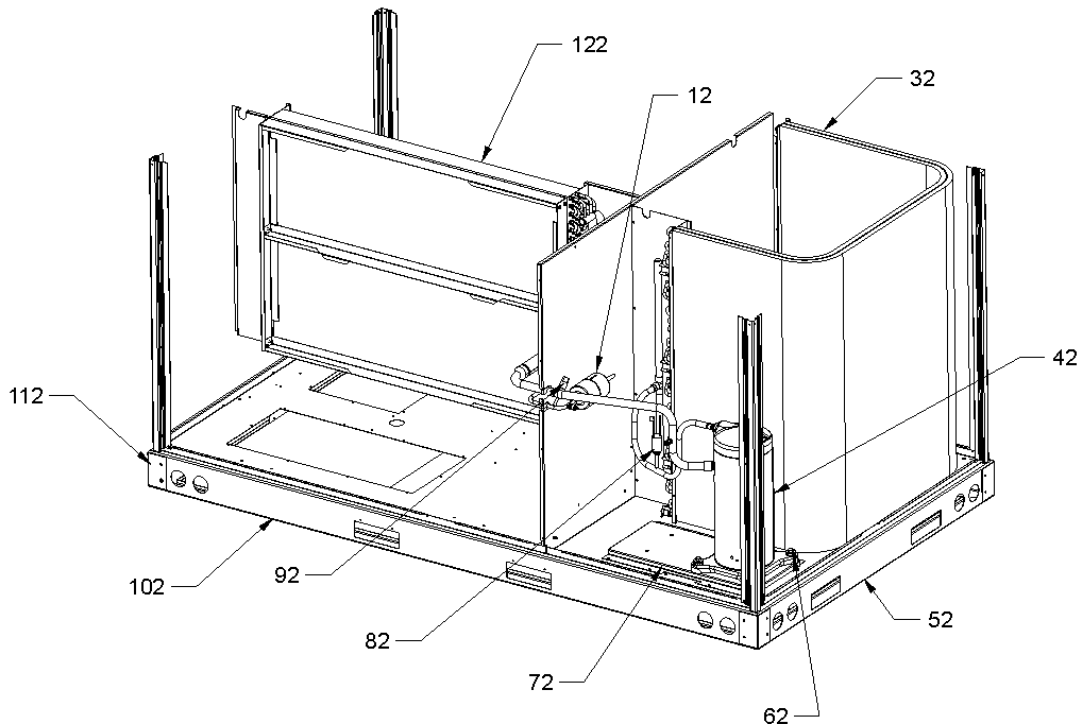


Image 2



Top Panel/Tubing Assy

Ref. Part No:	No:	Description:	Ref. Part No:	No:	Description:																										
<i>Image 1:</i>			NS	0162L00003S	FLOWRATOR [EVAP] (M14, M15, M16, M17, M18, M19, M20, M21, M22, M23, M24, M25, M26)																										
11	0274L00001S	INSULATED ASSY, TOP PANEL	NS	0162M00078S	FLOWRATOR [EVAP] (M1, M2, M3, M4, M5, M6, M7, M8, M9, M10, M11, M12, M13)																										
21	0152G00002S	FAN GRILLE	Expanded Model Nomenclature																												
31	0163M00006P	ACORN NUT 5/16 HEX BLACK (QTY 4)	<table border="1"> <tr><td>M1 - CPG0360703BXJXAA</td></tr> <tr><td>M2 - CPG0360703BXXXAA</td></tr> <tr><td>M3 - CPG0360703DXJXAA</td></tr> <tr><td>M4 - CPG0360703DXXXAA</td></tr> <tr><td>M5 - CPG0360704BXJXAA</td></tr> <tr><td>M6 - CPG0360704BXXXAA</td></tr> <tr><td>M7 - CPG0361053BXJXAA</td></tr> <tr><td>M8 - CPG0361053BXXXAA</td></tr> <tr><td>M9 - CPG0361053DXJXAA</td></tr> <tr><td>M10 - CPG0361053DXXXAA</td></tr> <tr><td>M11 - CPG0361054BXJXAA</td></tr> <tr><td>M12 - CPG0361054BXXXAA</td></tr> <tr><td>M13 - CPG0361057BXXXAA</td></tr> <tr><td>M14 - CPG0480703BXJXAA</td></tr> <tr><td>M15 - CPG0480703BXXXAA</td></tr> <tr><td>M16 - CPG0480703DXJXAA</td></tr> <tr><td>M17 - CPG0480703DXXXAA</td></tr> <tr><td>M18 - CPG0480704BXJXAA</td></tr> <tr><td>M19 - CPG0480704BXXXAA</td></tr> <tr><td>M20 - CPG0481053BXJXAA</td></tr> <tr><td>M21 - CPG0481053BXXXAA</td></tr> <tr><td>M22 - CPG0481053DXJXAA</td></tr> <tr><td>M23 - CPG0481053DXXXAA</td></tr> <tr><td>M24 - CPG0481054BXJXAA</td></tr> <tr><td>M25 - CPG0481054BXXXAA</td></tr> <tr><td>M26 - CPG0481057BXXXAA</td></tr> </table>			M1 - CPG0360703BXJXAA	M2 - CPG0360703BXXXAA	M3 - CPG0360703DXJXAA	M4 - CPG0360703DXXXAA	M5 - CPG0360704BXJXAA	M6 - CPG0360704BXXXAA	M7 - CPG0361053BXJXAA	M8 - CPG0361053BXXXAA	M9 - CPG0361053DXJXAA	M10 - CPG0361053DXXXAA	M11 - CPG0361054BXJXAA	M12 - CPG0361054BXXXAA	M13 - CPG0361057BXXXAA	M14 - CPG0480703BXJXAA	M15 - CPG0480703BXXXAA	M16 - CPG0480703DXJXAA	M17 - CPG0480703DXXXAA	M18 - CPG0480704BXJXAA	M19 - CPG0480704BXXXAA	M20 - CPG0481053BXJXAA	M21 - CPG0481053BXXXAA	M22 - CPG0481053DXJXAA	M23 - CPG0481053DXXXAA	M24 - CPG0481054BXJXAA	M25 - CPG0481054BXXXAA	M26 - CPG0481057BXXXAA
M1 - CPG0360703BXJXAA																															
M2 - CPG0360703BXXXAA																															
M3 - CPG0360703DXJXAA																															
M4 - CPG0360703DXXXAA																															
M5 - CPG0360704BXJXAA																															
M6 - CPG0360704BXXXAA																															
M7 - CPG0361053BXJXAA																															
M8 - CPG0361053BXXXAA																															
M9 - CPG0361053DXJXAA																															
M10 - CPG0361053DXXXAA																															
M11 - CPG0361054BXJXAA																															
M12 - CPG0361054BXXXAA																															
M13 - CPG0361057BXXXAA																															
M14 - CPG0480703BXJXAA																															
M15 - CPG0480703BXXXAA																															
M16 - CPG0480703DXJXAA																															
M17 - CPG0480703DXXXAA																															
M18 - CPG0480704BXJXAA																															
M19 - CPG0480704BXXXAA																															
M20 - CPG0481053BXJXAA																															
M21 - CPG0481053BXXXAA																															
M22 - CPG0481053DXJXAA																															
M23 - CPG0481053DXXXAA																															
M24 - CPG0481054BXJXAA																															
M25 - CPG0481054BXXXAA																															
M26 - CPG0481057BXXXAA																															
41	0163M00004	SCREW #10X3/4", BLACK (M1, M2, M3, M4, M7, M8, M9, M10, M14, M15, M16, M17, M20, M21, M22, M23)																													
41	M0221817	SMALL SCREW (M5, M6, M11, M12, M13, M18, M19, M24, M25, M26)																													
51	17788000083F	PVC CONDUIT 8.25"																													
61	0161L00000	VENTURI RING 22"																													
71	0131M00007PS	COND MOTOR 1/4 HP, 1 SP, 8 PL (M1, M2, M3, M4, M7, M8, M9, M10, M14, M15, M16, M17, M20, M21, M22, M23)																													
71	B13400269S	COND MOTOR 380/460 50/60 CYCLE (M5, M6, M11, M12, M18, M19, M24, M25)																													
71	0131M00098S	COND MOTOR 575V (M13, M26)																													
81	0150G00001S	FAN BLADE																													
NS	0259L00000	COND MOTOR HARNESS (M1, M2, M3, M4, M7, M8, M9, M10, M13, M14, M15, M16, M17, M20, M21, M22, M23, M26)																													
NS	0259L00023	COND MOTOR HARNESS 460V (M5, M6, M11, M12, M18, M19, M24, M25)																													
<i>Image 2:</i>																															
12	B1219225	SINGLE-FLOW FILTER DRIER, STEEL																													
32	0201L00008S	TUBING ASSY, COND COIL (M2, M4, M6, M8, M10, M12, M13, M15, M17, M19, M21, M23, M25, M26)																													
32	0201L00019S	TUBING ASSY, COND COIL (M1, M3, M5, M7, M9, M11, M14, M16, M18, M20, M22, M24)																													
42	ZP31K5ETFE830	COMPRESSOR 31100, 575/60/3 (M13)																													
42	ZP31K5ETF5830	COMPRESSOR 31200, 200/230/60/3 (M1, M2, M3, M4, M7, M8, M9, M10)																													
42	ZP31K5ETFD830	COMPRESSOR 31200, 460/60/3 (M5, M6, M11, M12)																													
42	ZP39K5ETF5830	COMPRESSOR 39000, 200/230/60/3 (M14, M15, M16, M17, M20, M21, M22, M23)																													
42	ZP39K5ETFD830	COMPRESSOR 39000, 460/60/3 (M18, M19, M24, M25)																													
42	ZP39K5ETFE830	COMPRESSOR 39000, 575/60/3 (M26)																													
52	0121G00262S	BASEPAN RAIL-SHORT (QTY 2)																													
62	M0221641	TF SHOULDER SCREW (QTY 4)																													
72	0121L00004	COMPRESSOR MOUNTING PLATE																													
82	0130M00030S	CUT-OUT SWITCH, HIGH PRESSURE																													
92	0130L00002S	CUT-OUT SWITCH, LOW PRESSURE																													
102	0121G00261	BASEPAN RAIL-LONG (QTY 2)																													
112	0121G00301	RAIL CORNER BRACKET (QTY 4)																													
122	0202L00009S	TUBING ASSY, EVAP COIL (M1, M2, M3, M4, M5, M6, M7, M8, M9, M10, M11, M12, M13)																													
122	0202L00014S	TUBING ASSY, EVAP COIL (M14, M15, M16, M17, M18, M19, M20, M21, M22, M23, M24, M25, M26)																													
NS	B1339533	COMPRESSOR GROMMET (QTY 4)																													
NS	0159L00003	COMPRESSOR SCROLL HARNESS																													
NS	0162M00079S	FLOWRATOR [COND]																													

Cabinet Assy

Image 1

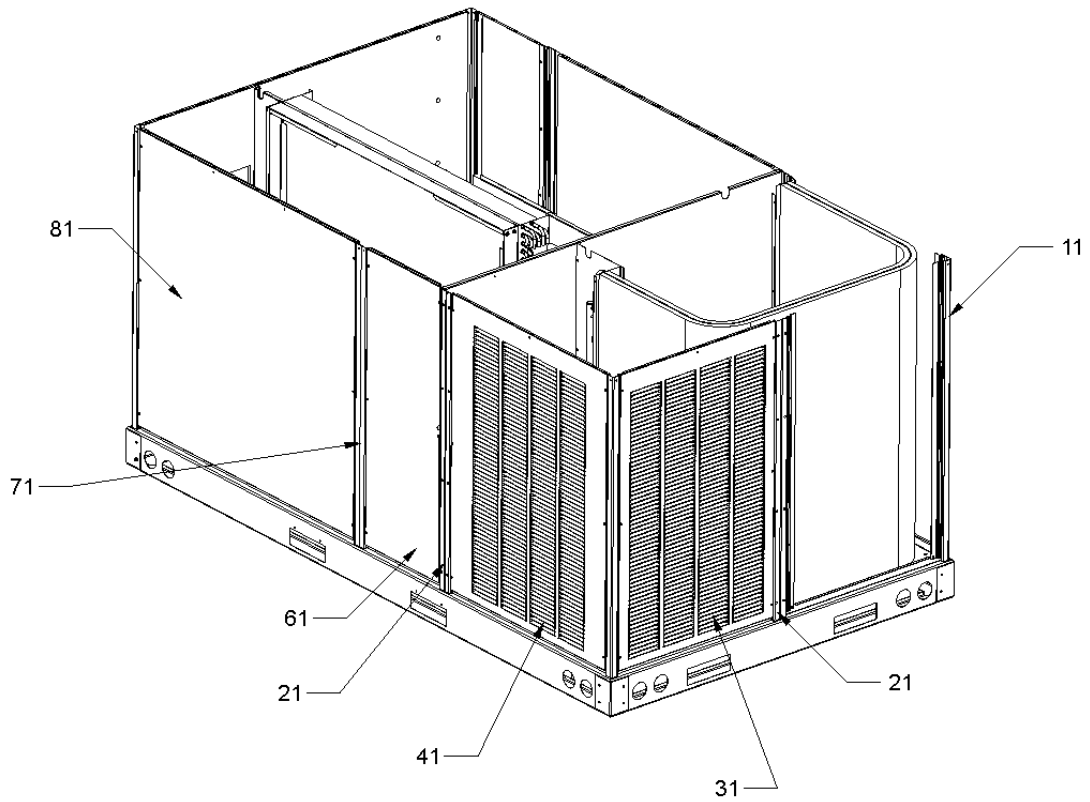
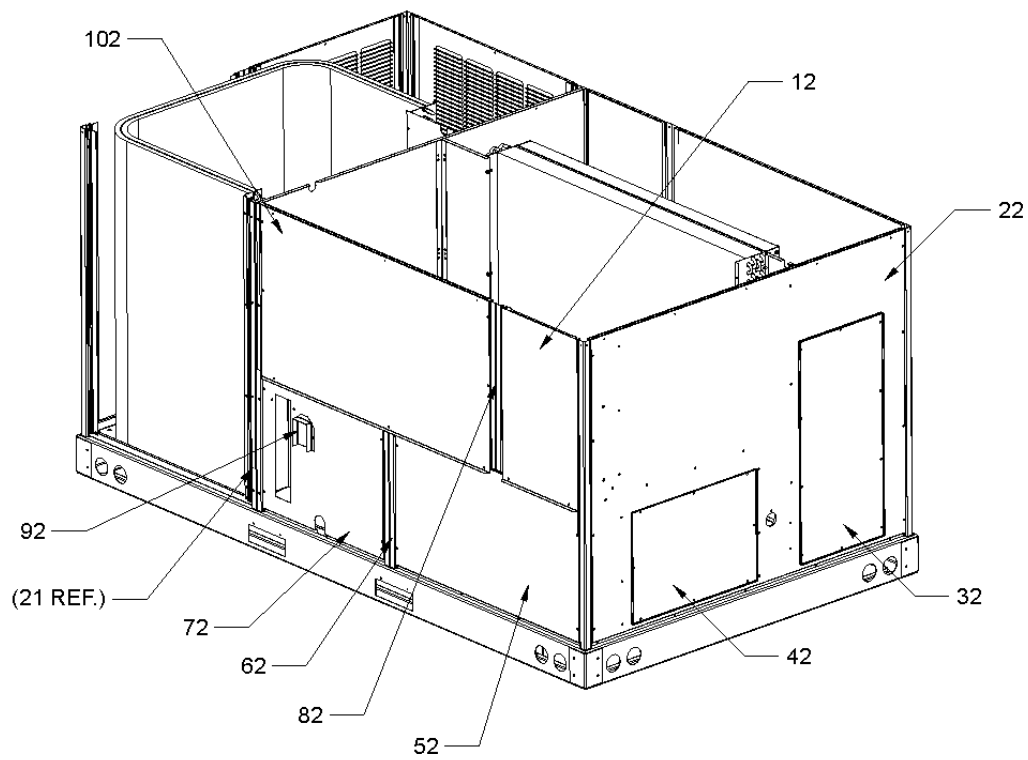


Image 2



Cabinet Assy

Ref. Part No:	No:	Description:	Ref. Part No:	No:	Description:
<i>Image 1:</i>			Expanded Model Nomenclature		
11	0121G00253RFDG	CORNER POST 36" (QTY 4)	M1	-	CPG0360703BXJXAA
21	0121G00283RFDG	POST-SIDE SUPPORT (QTY 3)	M2	-	CPG0360703BXXXAA
31	0121L00128DGS	LOUVERED END PANEL	M3	-	CPG0360703DXJXAA
41	0121L00001DGS	LOUVERED SIDE PANEL	M4	-	CPG0360703DXXXAA
61	0270L00004S	INSULATED ASSY, FILTER DOOR	M5	-	CPG0360704BXJXAA
71	0121L00125RFDG	SIDE POST-FILTER DOOR	M6	-	CPG0360704BXXXAA
81	0270L00003S	INSULATED ASSY, ECONOMIZER DOOR	M7	-	CPG0361053BXJXAA
NS	0140L00058	GOODMAN LABEL	M8	-	CPG0361053BXXXAA
<i>Image 2:</i>			M9	-	CPG0361053DXJXAA
12	0121G00294DGS	CONTROL DOOR	M10	-	CPG0361053DXXXAA
22	0270L00001S	INSULATED ASSY, DUCT PANEL	M11	-	CPG0361054BXJXAA
32	0270L00011S	INSULATED ASSY, RETURN DUCT	M12	-	CPG0361054BXXXAA
42	0270L00012S	INSULATED ASSY, SUPPLY DUCT	M13	-	CPG0361057BXXXAA
52	0270L00018S	INSULATED ASSY, HEAT EXCHANGER DOOR	M14	-	CPG0480703BXJXAA
62	0121G00299RFDG	POST-BURNER DOOR	M15	-	CPG0480703BXXXAA
72	0121G00296DGS	BURNER DOOR	M16	-	CPG0480703DXJXAA
82	0121G00298RFDG	CONTROL POST	M17	-	CPG0480703DXXXAA
92	0121L00130DGS	FLUE COLLAR	M18	-	CPG0480704BXJXAA
102	0270L00002S	INSULATED ASSY, BLOWER DOOR	M19	-	CPG0480704BXXXAA
NS	0121L00129S	DOOR RAIN SHIELD	M20	-	CPG0481053BXJXAA
			M21	-	CPG0481053BXXXAA
			M22	-	CPG0481053DXJXAA
			M23	-	CPG0481053DXXXAA
			M24	-	CPG0481054BXJXAA
			M25	-	CPG0481054BXXXAA
			M26	-	CPG0481057BXXXAA

Partition Assy

Image 1

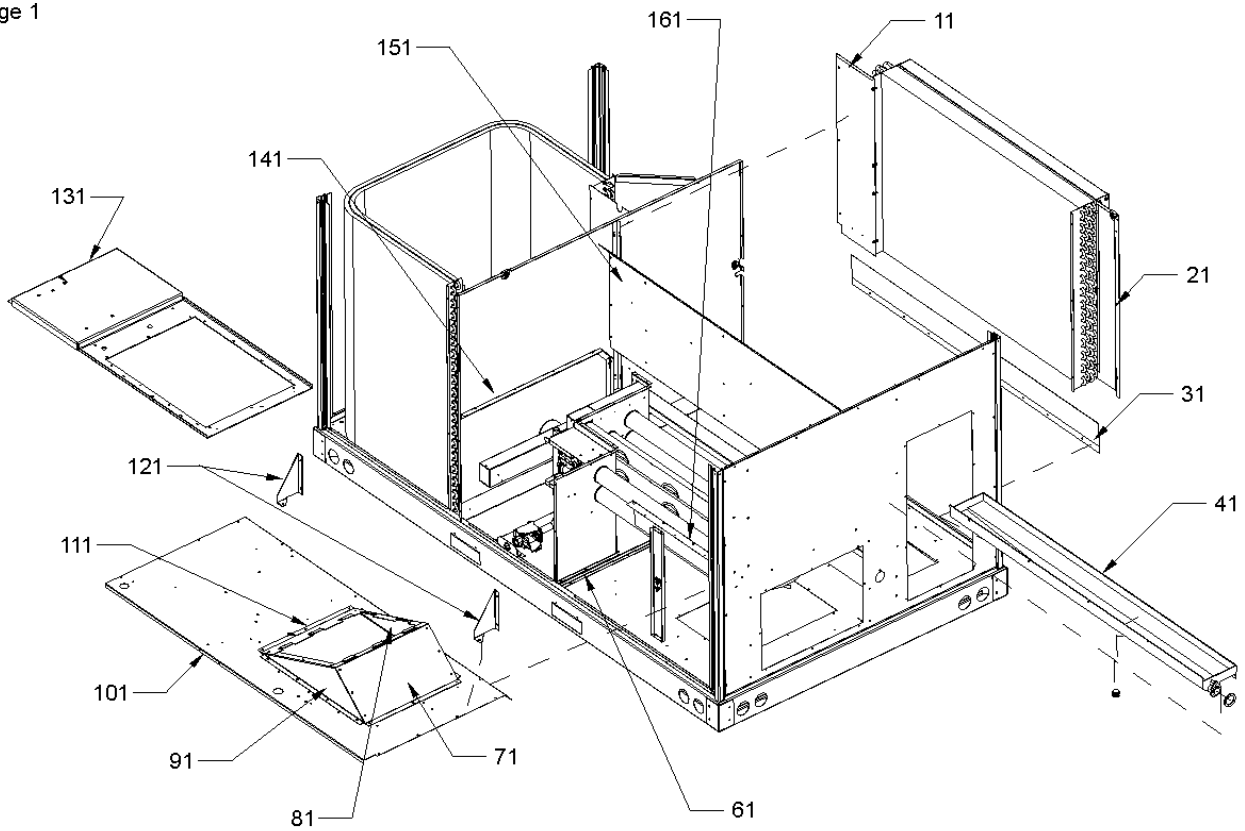
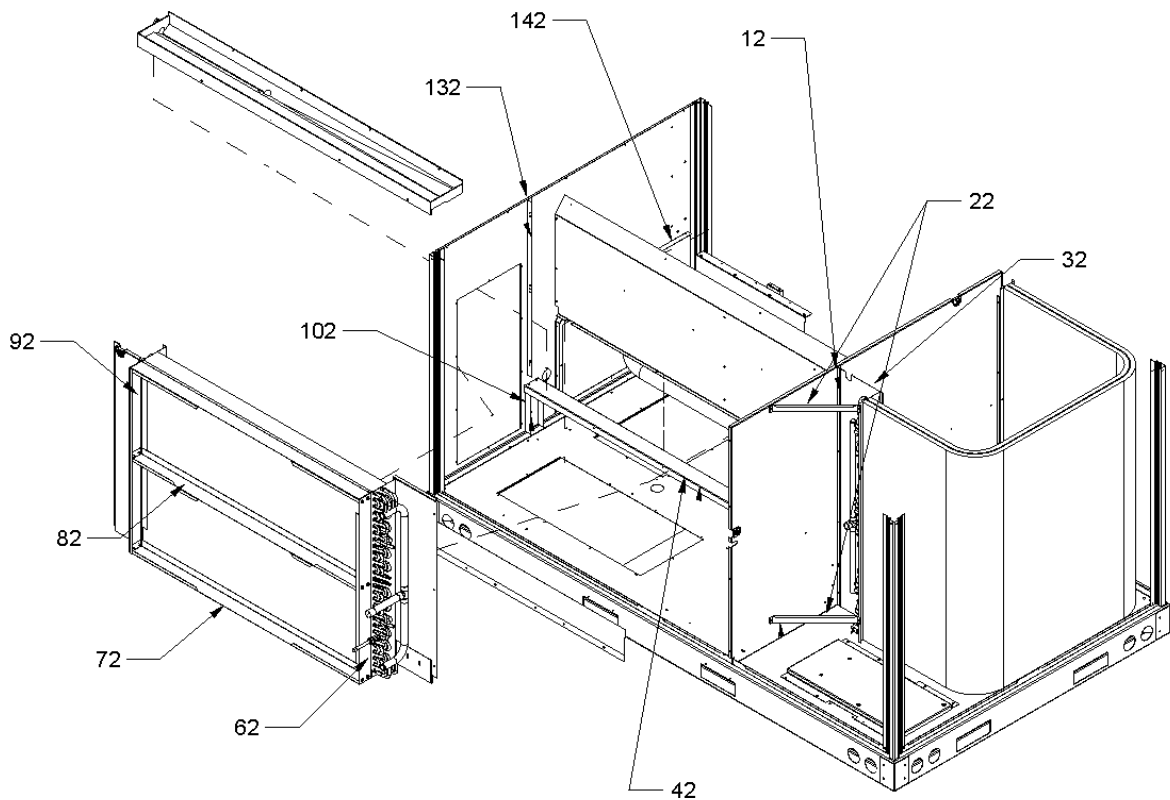


Image 2



Partition Assy

Ref. Part No: No:	Description:	Ref. Part No: No:	Description:
<i>Image 1:</i>		Expanded Model Nomenclature	
11	0121G00256	EVAP EXTENSION-HAIRPIN SIDE (M14, M15, M16, M17, M18, M19, M20, M21, M22, M23, M24, M25, M26)	M1 - CPG0360703BXJXAA
11	0121L00153	EVAP EXTENSION-HAIRPIN SIDE (M1, M2, M3, M4, M5, M6, M7, M8, M9, M10, M11, M12, M13)	M2 - CPG0360703BXXXAA
21	0121G00255	EVAP EXTENSION-RETURN SIDE	M3 - CPG0360703DXJXAA
31	0121L00016	EVAP BLOW-OFF SHIELD	M4 - CPG0360703DXXXAA
41	0161L00001	DRAIN PAN	M5 - CPG0360704BXJXAA
61	0121G00259	HEAT EXCHANGER BASE	M6 - CPG0360704BXXXAA
71	0121G00264	BLOWER TRANSITION, RH END	M7 - CPG0361053BXJXAA
81	0121G00266	BLOWER TRANSITION, BACK	M8 - CPG0361053BXXXAA
91	0121G00265	BLOWER TRANSITION, FRONT	M9 - CPG0361053DXJXAA
101	0121L00159	BLOWER DECK	M10 - CPG0361053DXXXAA
111	0121G00267	BLOWER TRANSITION, LH END (M1, M2, M5, M6, M7, M8, M11, M12, M13, M14, M15, M18, M19, M20, M21, M24, M25, M26)	M11 - CPG0361054BXJXAA
111	0121L00151	BLOWER TRANSITION, LH END (M3, M4, M9, M10, M16, M17, M22, M23)	M12 - CPG0361054BXXXAA
121	0121L00062	EVAP COIL BRACE (QTY 2)	M13 - CPG0361057BXXXAA
131	0270L00014S	MOUNTING PLATE ASSY (M1, M2, M5, M6, M7, M8, M11, M12, M13, M14, M15, M18, M19, M20, M21, M24, M25, M26)	M14 - CPG0480703BXJXAA
141	0121L00006	MOUNTING ANGLE-DECK, COND END	M15 - CPG0480703BXXXAA
151	0121L00003	DECK SIDE CHANNEL	M16 - CPG0480703DXJXAA
161	0121L00061	BLOWER BAFFLE	M17 - CPG0480703DXXXAA
<i>Image 2:</i>		M18 - CPG0480704BXJXAA	M19 - CPG0480704BXXXAA
12	0121L00008	COND MOUNTING ANGLE	M20 - CPG0481053BXJXAA
22	0121L00064	COND COIL BRACE (QTY 2)	M21 - CPG0481053BXXXAA
32	0121G00258	COND BLOCK-OFF	M22 - CPG0481053DXJXAA
42	0121L00035	DRAIN PAN SUPPORT	M23 - CPG0481053DXXXAA
62	0121L00204	FILTER ANGLE-VERTICAL (RETURN SIDE)	M24 - CPG0481054BXJXAA
72	0121L00206	FILTER ANGLE-HORIZONTAL (QTY 2)	M25 - CPG0481054BXXXAA
82	0121L00220	FILTER RACK STRAP (QTY 2)	M26 - CPG0481057BXXXAA
92	0121L00205	FILTER ANGLE-VERTICAL (HAIRPIN SIDE)	
102	0121L00036	SUPPORT LEG, DRAIN PAN	
132	0121L00005	EVAP MOUNTING ANGLE (QTY 2)	
142	0121L00007	MOUNTING ANGLE-DECK, DUCT END	
NS	0160L00008	FILTER 14 X 20 X 2 (QTY 4)	
NS	0121L00037	SUPPORT LEG, DRAIN PAN	

Belt Drive Assy

Image 1

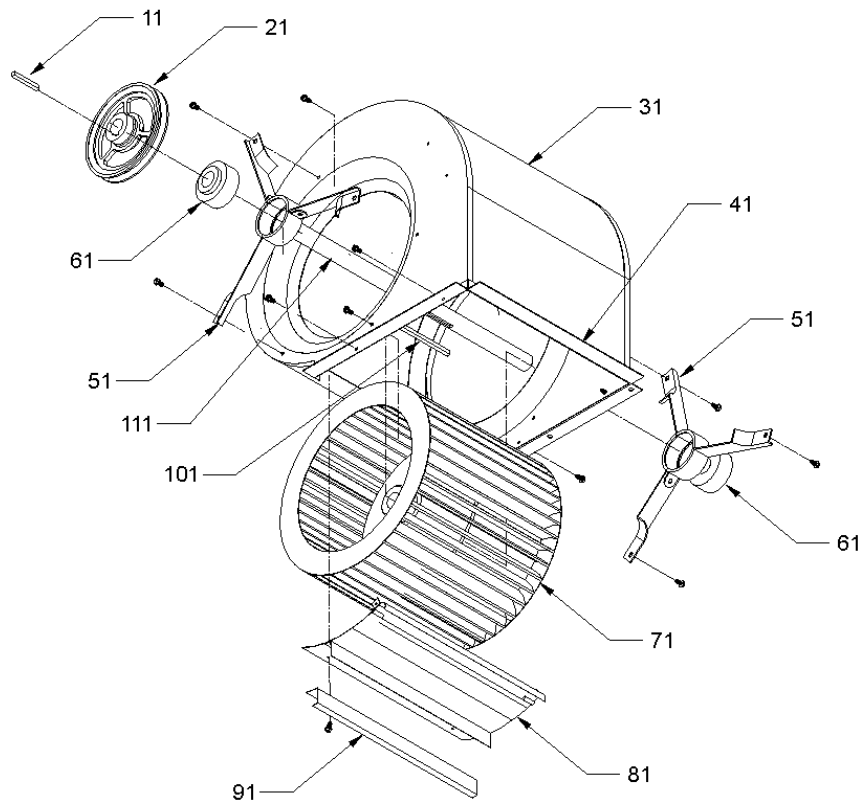
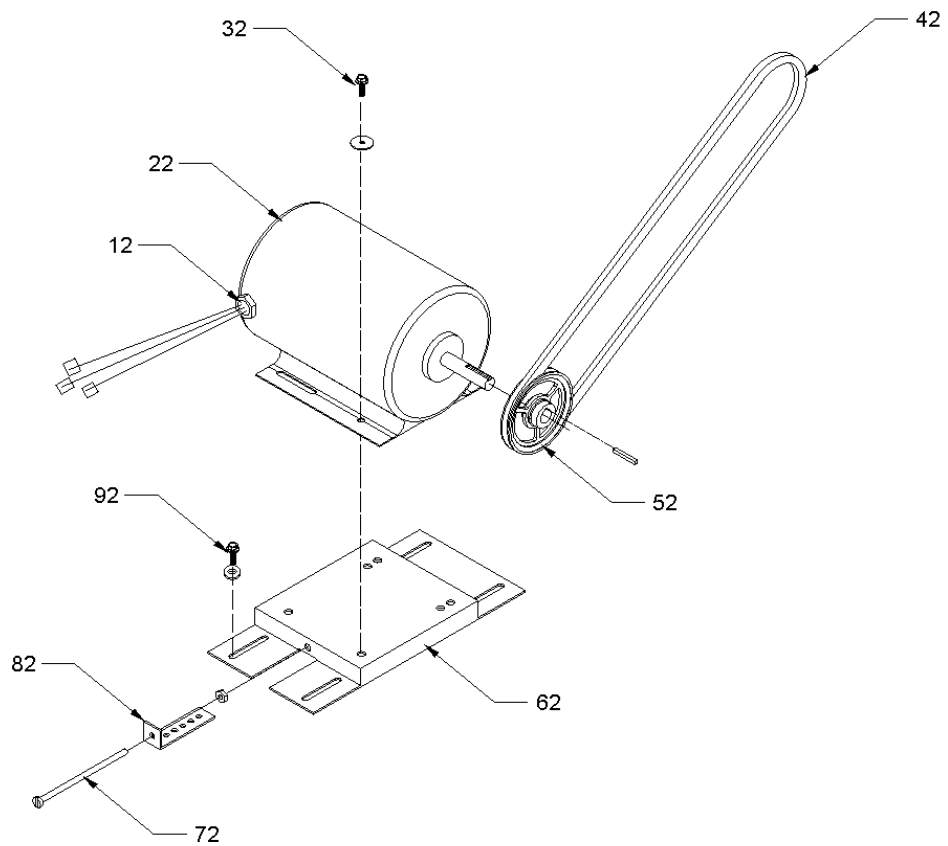


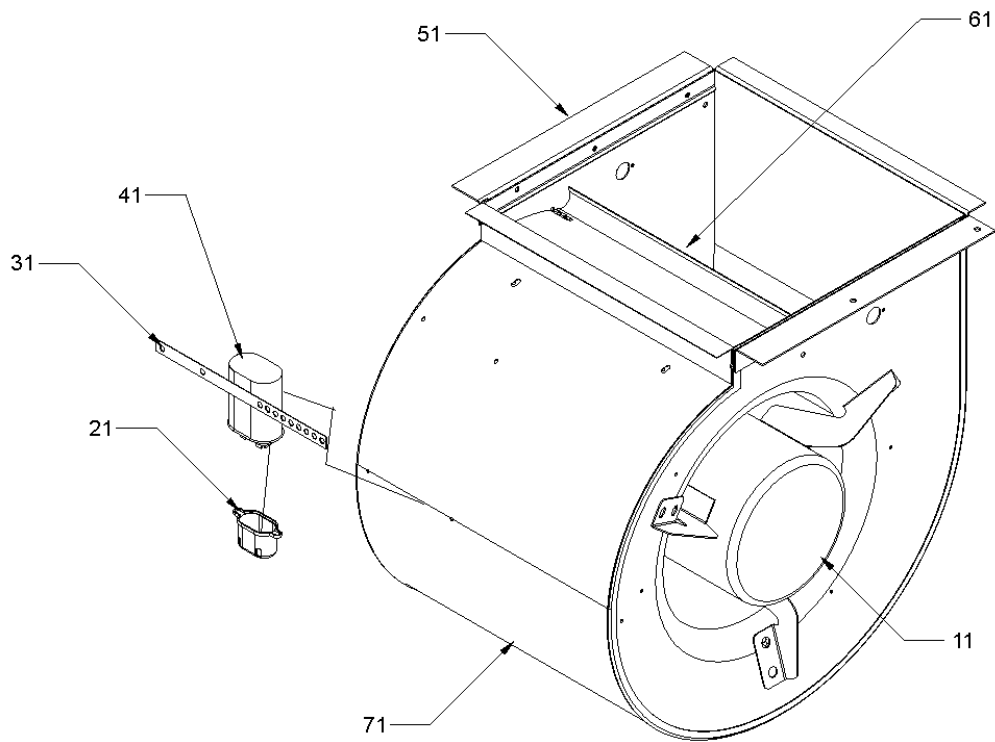
Image 2



Belt Drive Assy

Ref. Part No:	No:	Description:	Ref. Part No:	No:	Description:																										
<i>Image 1:</i>			72	0163M00045	BOLT 1/4-20 X 4" (M1, M2, M5, M6, M7, M8, M11, M12, M13, M14, M15, M18, M19, M20, M21, M24, M25, M26)																										
11	B1398604	STEEL KEY (000158812) 2.0" (M1, M2, M5, M6, M7, M8, M11, M12, M13, M14, M15, M18, M19, M20, M21, M24, M25, M26)	82	3225000F	BELT TIGHTENER ANGLE (M1, M2, M5, M6, M7, M8, M11, M12, M13, M14, M15, M18, M19, M20, M21, M24, M25, M26)																										
21	B2120011	FIXED SHEAVE (M1, M2, M5, M6, M7, M8, M11, M12)	92	B1446707	SCREW 5/16-18 X 1" (M1, M2, M5, M6, M7, M8, M11, M12, M13, M14, M15, M18, M19, M20, M21, M24, M25, M26)																										
21	B3204303	FIXED SHEAVE AK61 (M13, M26)	Expanded Model Nomenclature																												
21	B3204310	FIXED SHEAVE AK66 (M14, M15, M18, M19, M20, M21, M24, M25)	<table border="1"> <tr><td>M1 - CPG0360703BXJXAA</td></tr> <tr><td>M2 - CPG0360703BXXXAA</td></tr> <tr><td>M3 - CPG0360703DXJXAA</td></tr> <tr><td>M4 - CPG0360703DXXXAA</td></tr> <tr><td>M5 - CPG0360704BXJXAA</td></tr> <tr><td>M6 - CPG0360704BXXXAA</td></tr> <tr><td>M7 - CPG0361053BXJXAA</td></tr> <tr><td>M8 - CPG0361053BXXXAA</td></tr> <tr><td>M9 - CPG0361053DXJXAA</td></tr> <tr><td>M10 - CPG0361053DXXXAA</td></tr> <tr><td>M11 - CPG0361054BXJXAA</td></tr> <tr><td>M12 - CPG0361054BXXXAA</td></tr> <tr><td>M13 - CPG0361057BXXXAA</td></tr> <tr><td>M14 - CPG0480703BXJXAA</td></tr> <tr><td>M15 - CPG0480703BXXXAA</td></tr> <tr><td>M16 - CPG0480703DXJXAA</td></tr> <tr><td>M17 - CPG0480703DXXXAA</td></tr> <tr><td>M18 - CPG0480704BXJXAA</td></tr> <tr><td>M19 - CPG0480704BXXXAA</td></tr> <tr><td>M20 - CPG0481053BXJXAA</td></tr> <tr><td>M21 - CPG0481053BXXXAA</td></tr> <tr><td>M22 - CPG0481053DXJXAA</td></tr> <tr><td>M23 - CPG0481053DXXXAA</td></tr> <tr><td>M24 - CPG0481054BXJXAA</td></tr> <tr><td>M25 - CPG0481054BXXXAA</td></tr> <tr><td>M26 - CPG0481057BXXXAA</td></tr> </table>			M1 - CPG0360703BXJXAA	M2 - CPG0360703BXXXAA	M3 - CPG0360703DXJXAA	M4 - CPG0360703DXXXAA	M5 - CPG0360704BXJXAA	M6 - CPG0360704BXXXAA	M7 - CPG0361053BXJXAA	M8 - CPG0361053BXXXAA	M9 - CPG0361053DXJXAA	M10 - CPG0361053DXXXAA	M11 - CPG0361054BXJXAA	M12 - CPG0361054BXXXAA	M13 - CPG0361057BXXXAA	M14 - CPG0480703BXJXAA	M15 - CPG0480703BXXXAA	M16 - CPG0480703DXJXAA	M17 - CPG0480703DXXXAA	M18 - CPG0480704BXJXAA	M19 - CPG0480704BXXXAA	M20 - CPG0481053BXJXAA	M21 - CPG0481053BXXXAA	M22 - CPG0481053DXJXAA	M23 - CPG0481053DXXXAA	M24 - CPG0481054BXJXAA	M25 - CPG0481054BXXXAA	M26 - CPG0481057BXXXAA
M1 - CPG0360703BXJXAA																															
M2 - CPG0360703BXXXAA																															
M3 - CPG0360703DXJXAA																															
M4 - CPG0360703DXXXAA																															
M5 - CPG0360704BXJXAA																															
M6 - CPG0360704BXXXAA																															
M7 - CPG0361053BXJXAA																															
M8 - CPG0361053BXXXAA																															
M9 - CPG0361053DXJXAA																															
M10 - CPG0361053DXXXAA																															
M11 - CPG0361054BXJXAA																															
M12 - CPG0361054BXXXAA																															
M13 - CPG0361057BXXXAA																															
M14 - CPG0480703BXJXAA																															
M15 - CPG0480703BXXXAA																															
M16 - CPG0480703DXJXAA																															
M17 - CPG0480703DXXXAA																															
M18 - CPG0480704BXJXAA																															
M19 - CPG0480704BXXXAA																															
M20 - CPG0481053BXJXAA																															
M21 - CPG0481053BXXXAA																															
M22 - CPG0481053DXJXAA																															
M23 - CPG0481053DXXXAA																															
M24 - CPG0481054BXJXAA																															
M25 - CPG0481054BXXXAA																															
M26 - CPG0481057BXXXAA																															
31	2539302FS	BLOWER HOUSING 11 X 10 (M1, M2, M5, M6, M7, M8, M11, M12, M13, M14, M15, M18, M19, M20, M21, M24, M25, M26)																													
41	0121L00022S	BLOWER MOUNTING ANGLE (M1, M2, M5, M6, M7, M8, M11, M12, M13, M14, M15, M18, M19, M20, M21, M24, M25, M26)																													
51	B3201300	MOUNTING BRACKET BEARING (M1, M2, M5, M6, M7, M8, M11, M12, M13, M14, M15, M18, M19, M20, M21, M24, M25, M26)																													
61	B1399500	BALL BEARING 1.00" (M1, M2, M5, M6, M7, M8, M11, M12, M13, M14, M15, M18, M19, M20, M21, M24, M25, M26)																													
71	B1368056	BELT DRIVE BLOWER WHEEL (M1, M2, M5, M6, M7, M8, M11, M12, M13, M14, M15, M18, M19, M20, M21, M24, M25, M26)																													
81	1864700F	BELT DRIVE BLOWER CUT-OFF (M1, M2, M5, M6, M7, M8, M11, M12, M13, M14, M15, M18, M19, M20, M21, M24, M25, M26)																													
91	0121L00050	BLOWER MOUNTING BRACKET (M1, M2, M5, M6, M7, M8, M11, M12, M13, M14, M15, M18, M19, M20, M21, M24, M25, M26)																													
101	B1398603	STEEL KEY (000158812) 4.5" (M1, M2, M5, M6, M7, M8, M11, M12, M13, M14, M15, M18, M19, M20, M21, M24, M25, M26)																													
111	0163L00005	BELT DRIVE BLOWER SHAFT (M1, M2, M5, M6, M7, M8, M11, M12, M13, M14, M15, M18, M19, M20, M21, M24, M25, M26)																													
NS	0259L00008	MOTOR HARNESS-BELT DRIVE (M1, M2, M5, M6, M7, M8, M11, M12, M13, M14, M15, M18, M19, M20, M21, M24, M25, M26)																													
<i>Image 2:</i>																															
12	B1393726	ELECT. CONNECTING BUSHING (M1, M2, M5, M6, M7, M8, M11, M12, M13, M14, M15, M18, M19, M20, M21, M24, M25, M26)																													
22	0131L00003S	BELT DRIVE MOTOR 1 HP (M1, M2, M5, M6, M7, M8, M11, M12, M14, M15, M18, M19, M20, M21, M24, M25)																													
22	0131L00004S	BELT DRIVE MOTOR 1.5 HP 575V (M13, M26)																													
32	B1393738	BOLT 1/4-20 X 3/4" (M1, M2, M5, M6, M7, M8, M11, M12, M13, M14, M15, M18, M19, M20, M21, M24, M25, M26)																													
42	B2110011	FAN BELT AX41 (M1, M2, M5, M6, M7, M8, M11, M12)																													
42	B2110005	NOTCHED FAN BELT (M13, M14, M15, M18, M19, M20, M21, M24, M25, M26)																													
52	0163L00024	VARIABLE PITCH SHEAVE 1VL40 X 5/8" (M1, M2, M5, M6, M7, M8, M11, M12)																													
52	B2120001	VARIABLE PITCH SHEAVE 1VL44 X 3/8" (M13, M14, M15, M18, M19, M20, M21, M24, M25, M26)																													
62	0270L00046S	MOTOR BASE ASSY (M1, M2, M5, M6, M7, M8, M11, M12, M13, M14, M15, M18, M19, M20, M21, M24, M25, M26)																													

Direct Drive Blower Assy



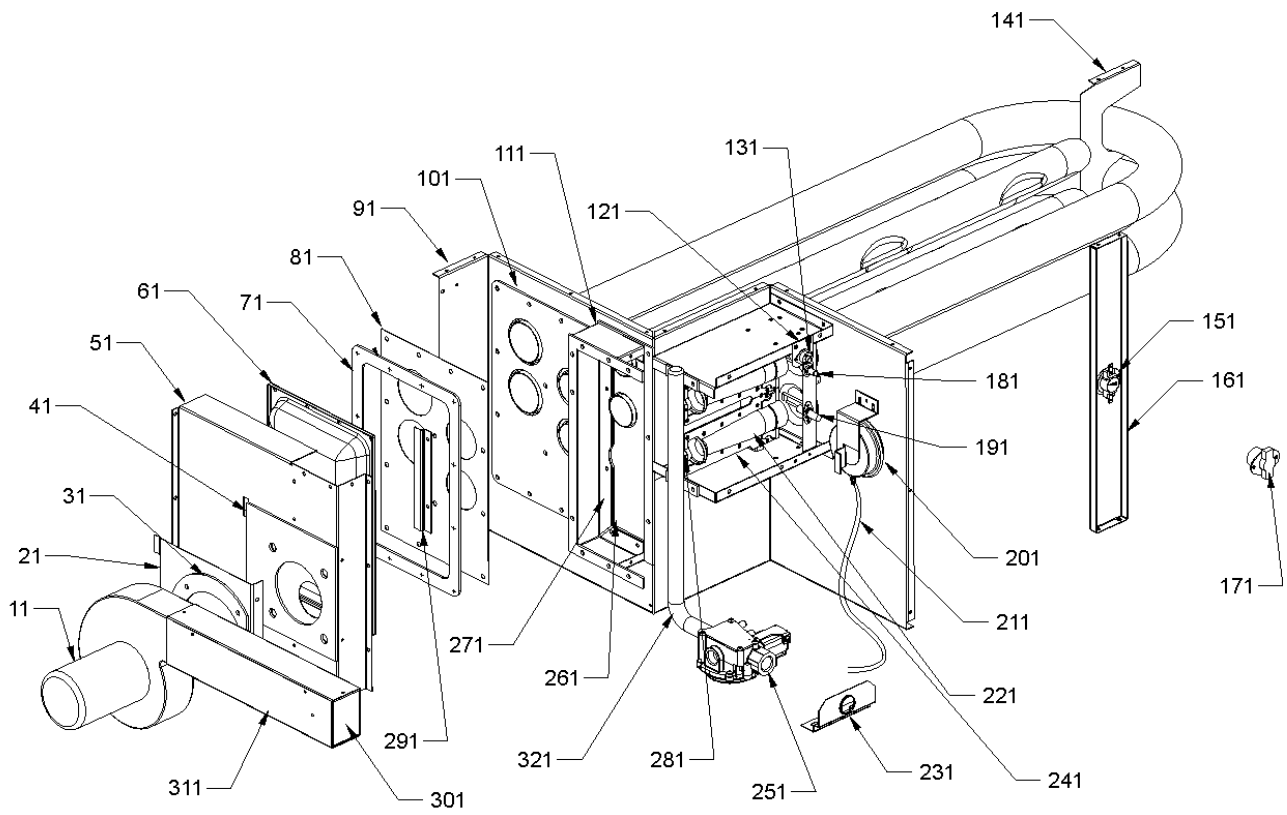
Direct Drive Blower Assy

Ref. Part No:	No:	Description:	Ref. Part No:	No:	Description:
<i>Image 1:</i>					
11	0131M00091S	BLOWER MOTOR 230V (M16, M17, M22, M23)			
11	0131M00094S	BLOWER MOTOR 230V (M3, M4, M9, M10)			
21	B821700	CAPACITOR BOOT (M3, M4, M9, M10, M16, M17, M22, M23)			
31	20520901	CAPACITOR STRAP (M3, M4, M9, M10, M16, M17, M22, M23)			
41	CAP100000370VAS	CAPACITOR 10/370V [BLOWER] (M3, M4, M9, M10)			
41	CAP150000370VAS	CAPACITOR 15/370V [BLOWER] (M16, M17, M22, M23)			
51	0121L00150	BLOWER MOUNTING ANGLE (M3, M4, M9, M10, M16, M17, M22, M23)			
61	C6121806	BLOWER CUT-OFF (M3, M4, M9, M10, M16, M17, M22, M23)			
71	11185817	BLOWER HOUSING (M3, M4, M9, M10, M16, M17, M22, M23)			
NS	20269903	AUXILIARY LIMIT, AUTO RESET (M3, M4, M9, M10, M16, M17, M22, M23)			
NS	0150M00014	BLOWER WHEEL (M3, M4, M9, M10, M16, M17, M22, M23)			
NS	M0250558	TC SCREW (M3, M4, M9, M10, M16, M17, M22, M23)			

Expanded Model Nomenclature

M1 - CPG0360703BXJXAA
M2 - CPG0360703BXXXAA
M3 - CPG0360703DXJXAA
M4 - CPG0360703DXXXAA
M5 - CPG0360704BXJXAA
M6 - CPG0360704BXXXAA
M7 - CPG0361053BXJXAA
M8 - CPG0361053BXXXAA
M9 - CPG0361053DXJXAA
M10 - CPG0361053DXXXAA
M11 - CPG0361054BXJXAA
M12 - CPG0361054BXXXAA
M13 - CPG0361057BXXXAA
M14 - CPG0480703BXJXAA
M15 - CPG0480703BXXXAA
M16 - CPG0480703DXJXAA
M17 - CPG0480703DXXXAA
M18 - CPG0480704BXJXAA
M19 - CPG0480704BXXXAA
M20 - CPG0481053BXJXAA
M21 - CPG0481053BXXXAA
M22 - CPG0481053DXJXAA
M23 - CPG0481053DXXXAA
M24 - CPG0481054BXJXAA
M25 - CPG0481054BXXXAA
M26 - CPG0481057BXXXAA

Heat Exchanger Assy



Heat Exchanger Assy

Ref. Part No: No:	Description:	Ref. Part No: No:	Description:
<i>Image 1:</i>		291 0121L00021	RESTRICTOR-TUBE
11 0131L00002S	VENT MOTOR	301 0163L00006	FLUE SCREEN
21 0121L00078	MOUNTING PLATE-ID BLOWER (M1, M2, M3, M4, M5, M6, M14, M15, M16, M17, M18, M19)	311 0121L00049	HEAT EXCHANGER FLUE (QTY 2)
21 0121L00079	MOUNTING PLATE-ID BLOWER (M7, M8, M9, M10, M11, M12, M13, M20, M21, M22, M23, M24, M25, M26)	321 0163L00002	MANIFOLD - 2 BRNR (M1, M2, M3, M4, M5, M6, M14, M15, M16, M17, M18, M19)
31 0154L00007	GASKET, BLOWER/ORIFICE PLATE	321 0163L00003	MANIFOLD - 3 BRNR (M7, M8, M9, M10, M11, M12, M13, M20, M21, M22, M23, M24, M25, M26)
41 0154L00006	GASKET, COLLECTOR/ORIFICE PLATE	NS 0259L00040	VENT MOTOR HARNESS (M1, M2, M5, M6, M7, M8, M11, M12, M13, M14, M15, M18, M19, M20, M21, M24, M25, M26)
51 0121L00015	COLLECTOR BOX COVER	NS 0259L00053	VENT MOTOR HARNESS (M3, M4, M9, M10, M16, M17, M22, M23)
61 20167201	REAR COVER, HEAT EXCHANGER	Expanded Model Nomenclature	
71 22320701	REAR COVER GASKET, HEAT EXCHANGER	<div style="border: 1px solid black; padding: 5px;"> M1 - CPG0360703BXJXAA M2 - CPG0360703BXXXAA M3 - CPG0360703DXJXAA M4 - CPG0360703DXXXAA M5 - CPG0360704BXJXAA M6 - CPG0360704BXXXAA M7 - CPG0361053BXJXAA M8 - CPG0361053BXXXAA M9 - CPG0361053DXJXAA M10 - CPG0361053DXXXAA M11 - CPG0361054BXJXAA M12 - CPG0361054BXXXAA M13 - CPG0361057BXXXAA M14 - CPG0480703BXJXAA M15 - CPG0480703BXXXAA M16 - CPG0480703DXJXAA M17 - CPG0480703DXXXAA M18 - CPG0480704BXJXAA M19 - CPG0480704BXXXAA M20 - CPG0481053BXJXAA M21 - CPG0481053BXXXAA M22 - CPG0481053DXJXAA M23 - CPG0481053DXXXAA M24 - CPG0481054BXJXAA M25 - CPG0481054BXXXAA M26 - CPG0481057BXXXAA </div>	
81 0121L00131	PLATE-2 TUBE PANEL (M1, M2, M3, M4, M5, M6, M14, M15, M16, M17, M18, M19)		
81 0121L00158	PLATE-3 TUBE PANEL (M7, M8, M9, M10, M11, M12, M13, M20, M21, M22, M23, M24, M25, M26)		
91 0270L00021S	HEAT EXCHANGER ASSY 2B (M1, M2, M3, M4, M5, M6, M14, M15, M16, M17, M18, M19)		
91 0270L00052S	HEAT EXCHANGER ASSY 3B (M7, M8, M9, M10, M11, M12, M13, M20, M21, M22, M23, M24, M25, M26)		
101 0154L00013	TUBE PLATE GASKET, HEAT EXCHANGER (M1, M2, M3, M4, M5, M6, M14, M15, M16, M17, M18, M19)		
101 0154L00016	TUBE PLATE GASKET, HEAT EXCHANGER (M7, M8, M9, M10, M11, M12, M13, M20, M21, M22, M23, M24, M25, M26)		
111 0121L00014	COLLECTOR BOX CHANNEL		
121 0121L00053	FLAME ROLLOUT BRACKET		
131 10123532	MANUAL RESET LIMIT 300°F		
141 0121L00047	HEAT EXCHANGER TUBES SUPPORT (M7, M8, M9, M10, M11, M12, M13, M20, M21, M22, M23, M24, M25, M26)		
141 0121L00048	HEAT EXCHANGER TUBES SUPPORT (M1, M2, M3, M4, M5, M6, M14, M15, M16, M17, M18, M19)		
151 B1370189	PRIMARY LIMIT SWITCH 200°F		
161 0121L00056	POST-LIMIT SWITCH		
171 B1370166	AUXILIARY LIMIT-TEMPERATURE CONTROL (M1, M2, M5, M6, M7, M8, M11, M12, M13, M14, M15, M18, M19, M20, M21, M24, M25, M26)		
181 0130F00010	FLAME SENSOR		
191 0130L00000S	IGNITOR		
201 11112501S	PRESSURE SWITCH		
211 A3468601	PRESSURE SWITCH HOSE (QTY 2)		
221 0163L00000	BECKETT BURNER (QTY 2)		
231 0121L00126	PIPE BRACKET-GAS VALVE		
241 0121G00269	BURNER BRACKET (M7, M8, M9, M10, M11, M12, M13, M20, M21, M22, M23, M24, M25, M26)		
241 0121G00291	BURNER BRACKET 2B (M1, M2, M3, M4, M5, M6, M14, M15, M16, M17, M18, M19)		
251 B1282628	GAS VALVE (36G)		
261 0154L00002	INNER GASKET, COLLECTOR BOX		
271 0154L00003	OUTER GASKET, COLLECTOR BOX		
281 0163L00007	#34 ORIFICE (QTY 2)		

Control Box Assy

Image 1

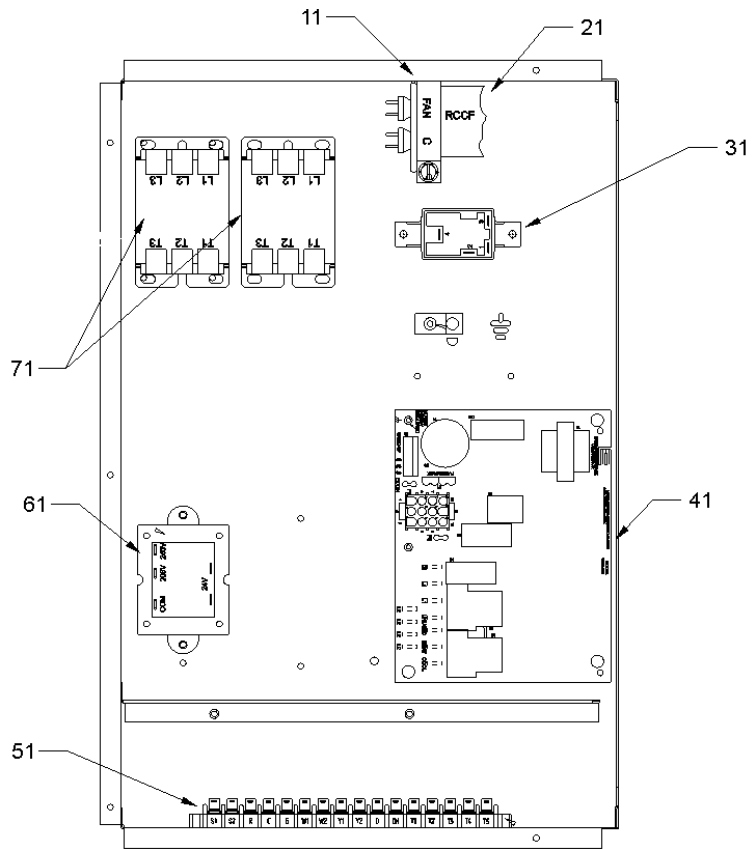
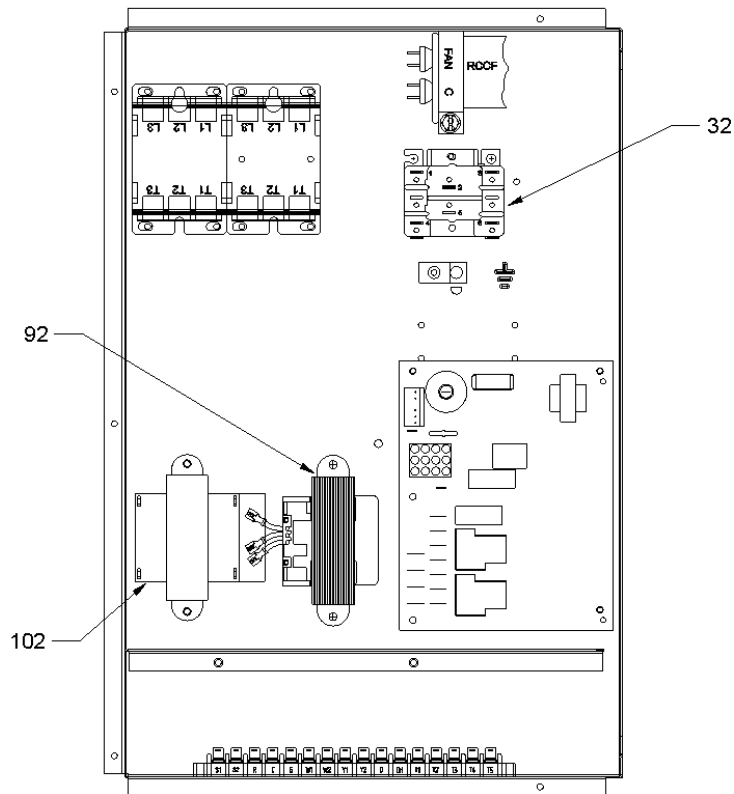


Image 2



Control Box Assy

**Ref. Part
No: No:**

Description:

**Ref. Part
No: No:**

Description:

Image 1:

11	20520901	CAPACITOR STRAP
21	CAP050000370VAS	CAPACITOR 5/370V [CONTROL BOX]
31	B1370751	24V RELAY (M1, M2, M7, M8, M14, M15, M20, M21)
41	PCBAG123S	IGNITION BOARD, DSI INTEGRATED
51	0130M00038S	TERMINAL BOARD
61	B1141643	TRANSFORMER 208/230, 24V (M1, M2, M3, M4, M7, M8, M9, M10, M14, M15, M16, M17, M20, M21, M22, M23)
71	CONT3P025024VS	CONTACTOR 25 AMP, 3P, 24V (M3, M4, M5, M6, M9, M10, M11, M12, M13, M16, M17, M18, M19, M22, M23, M24, M25, M26)
71	CONT3P030024VS	CONTACTOR 30 AMP, 3P, 24V (QTY 2) (M1, M2, M7, M8, M14, M15, M20, M21)
NS	0259L00011	ECONOMIZER HARNESS
NS	0259L00036	EVAP MOTOR HARNESS, PSC (M3, M4, M9, M10, M16, M17, M22, M23)
NS	0259L00038	HARNESS, CONTROL 230V GAS 3TON (M3, M4, M9, M10, M16, M17, M22, M23)
NS	0259L00016	HARNESS, CONTROL 460V/575V GAS (M5, M6, M11, M12, M13, M18, M19, M24, M25, M26)
NS	0259L00039	HARNESS-12 PIN GAS 3 TON (M3, M4, M9, M10, M16, M17, M22, M23)
NS	0259L00017	HARNESS-CONTROL 230V GAS-B (M1, M2, M7, M8, M14, M15, M20, M21)
NS	0259L00009	IGNITION BOARD HARNESS (M1, M2, M5, M6, M7, M8, M11, M12, M13, M14, M15, M18, M19, M20, M21, M24, M25, M26)

Image 2:

32	0130M00025S	24V RELAY (M5, M6, M11, M12, M13, M18, M19, M24, M25, M26)
92	B1141663	TRANSFORMER 460V TO 23V, 150 VA (M5, M6, M11, M12, M18, M19, M24, M25)
92	0130M00044S	TRANSFORMER 575/230V (M13, M26)
102	B1141653	TRANSFORMER 480V, 75VA, RESETTABLE (M5, M6, M11, M12, M18, M19, M24, M25)
102	0130M00045S	TRANSFORMER 575/24V (M13, M26)

Expanded Model Nomenclature

M1 - CPG0360703BXJXAA
M2 - CPG0360703BXXXAA
M3 - CPG0360703DXJXAA
M4 - CPG0360703DXXXAA
M5 - CPG0360704BXJXAA
M6 - CPG0360704BXXXAA
M7 - CPG0361053BXJXAA
M8 - CPG0361053BXXXAA
M9 - CPG0361053DXJXAA
M10 - CPG0361053DXXXAA
M11 - CPG0361054BXJXAA
M12 - CPG0361054BXXXAA
M13 - CPG0361057BXXXAA
M14 - CPG0480703BXJXAA
M15 - CPG0480703BXXXAA
M16 - CPG0480703DXJXAA
M17 - CPG0480703DXXXAA
M18 - CPG0480704BXJXAA
M19 - CPG0480704BXXXAA
M20 - CPG0481053BXJXAA
M21 - CPG0481053BXXXAA
M22 - CPG0481053DXJXAA
M23 - CPG0481053DXXXAA
M24 - CPG0481054BXJXAA
M25 - CPG0481054BXXXAA
M26 - CPG0481057BXXXAA