

REPAIR PARTS

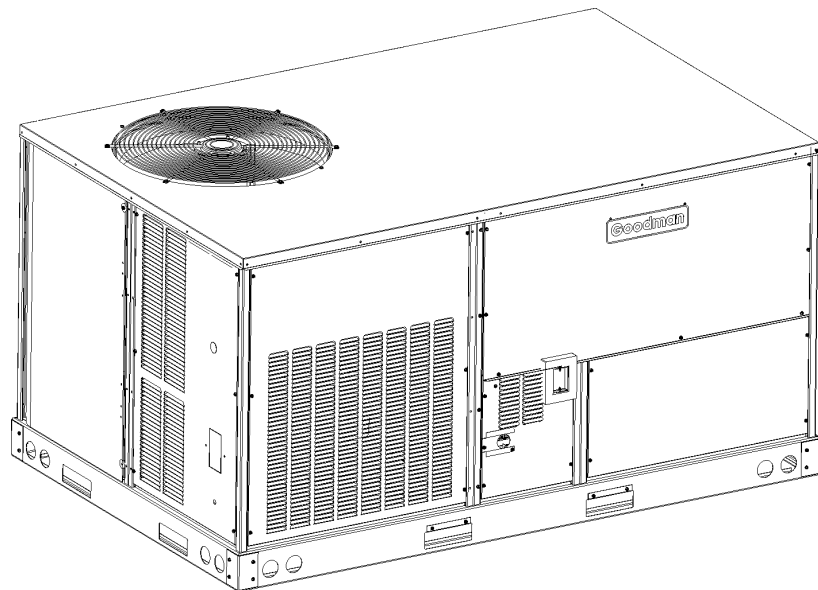
Commercial 3 Ton 575V Belt Drive Package Gas

CPG0360907BXJXBA

CPG0360907BXSXBA

CPG0360907BXXXBA

CPG0360907HAXXBA



This manual is to be used by qualified technicians only.

This manual replaces RP-554.

© 2009,2012 Goodman Manufacturing Company, L.P. ♦ 5151 San Felipe, Suite 500 ♦ Houston, TX 77056

Important Information

Index

Functional Parts List	3
Illustration and Parts	4 - 13

Views shown are for parts illustrations only, not servicing procedures.

Text Codes:

AR - As Required

NA - Not Available

NS - Not Shown

00000000 - See Note

QTY - Quantity Example (QTY 3) (If Quantity not shown, Quantity = 1)

M - Model Example (M1) (If M Code not shown, then part is used on all Models)

Expanded Model Nomenclature:

Example
M1 - Model#1
M2 - Model#2
M3 - Model#3

Goodman Manufacturing Company, L.P. is not responsible for personal injury or property damage resulting from improper service. Review all service information before beginning repairs.

Warranty service must be performed by an authorized technician, using authorized factory parts. If service is required after the warranty expires, Goodman Manufacturing Company, L.P. also recommends contacting an authorized technician and using authorized factory parts.

Goodman Manufacturing Company, L.P. reserves the right to discontinue, or change at any time, specifications or designs without notice or without incurring obligations.

For assistance within the U.S.A. contact:
Consumer Affairs Department
Goodman Manufacturing Company, L.P.
7401 Security Way
Houston, Texas 77040
877-254-4729-Telephone
713-863-2382-Facsimile

For assistance outside the U.S.A. contact:
International Division
Goodman Manufacturing Company, L.P.
7401 Security Way
Houston, Texas 77040
713-861-2500-Telephone
713-863-2382-Facsimile

Functional Parts

Part

No:

Description:

0130M00025S	24V RELAY
0131L00004S	BELT DRIVE MOTOR 1.5 HP 575V
CAP050000370VAS	CAPACITOR 5/370V
ZP31K5ETFE830	COMPRESSOR 31100, 575/60/3
0131M00098S	COND MOTOR 575V
CONT3P025024VS	CONTACTOR 25 AMP, 3P, 24V (QTY 2)
0130M00055	CUT-OUT SWITCH, HIGH PRESSURE
0130L00007	CUT-OUT SWITCH, LOW PRESSURE
0151F00000P	GAS VALVE - WHITE-RODGERS 2-STAGE
PCBAG123S	IGNITION BOARD, DSI INTEGRATED
20261709S	IGNITOR
10123532	MANUAL RESET LIMIT 350°F
11112501S	PRESSURE SWITCH
0130M00063	PRIMARY LIMIT - GOLD 140°
0130M00038S	TERMINAL BOARD
0130M00044S	TRANSFORMER 575/230V
0130M00045S	TRANSFORMER 575/24V

Top Panel/Tubing Assy

Image 1

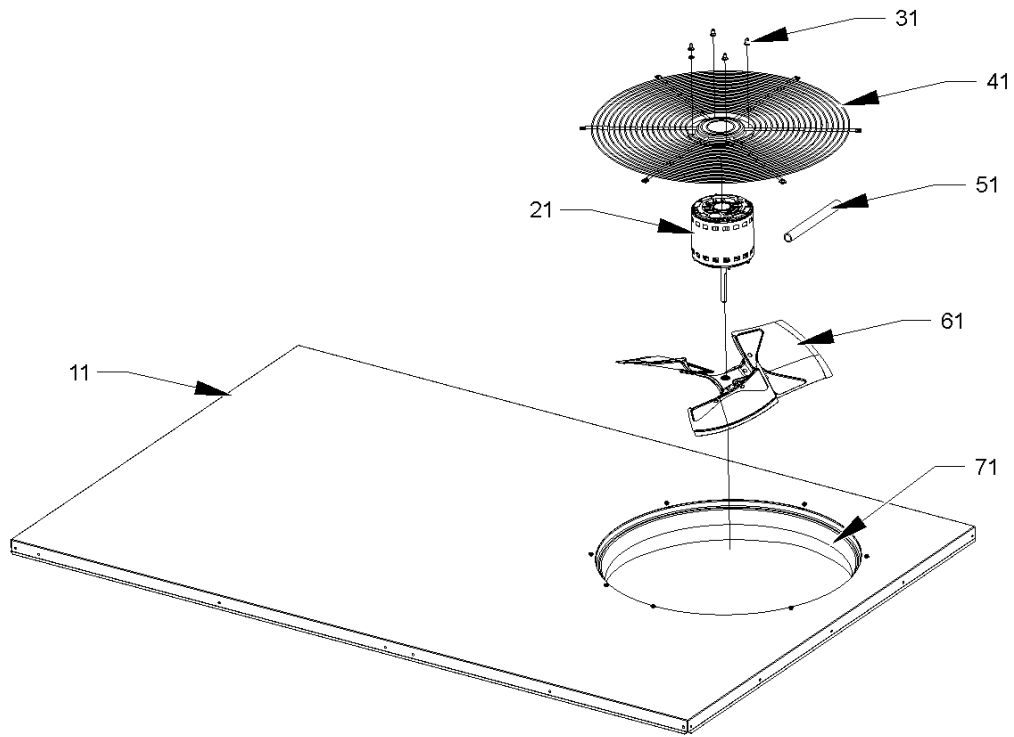
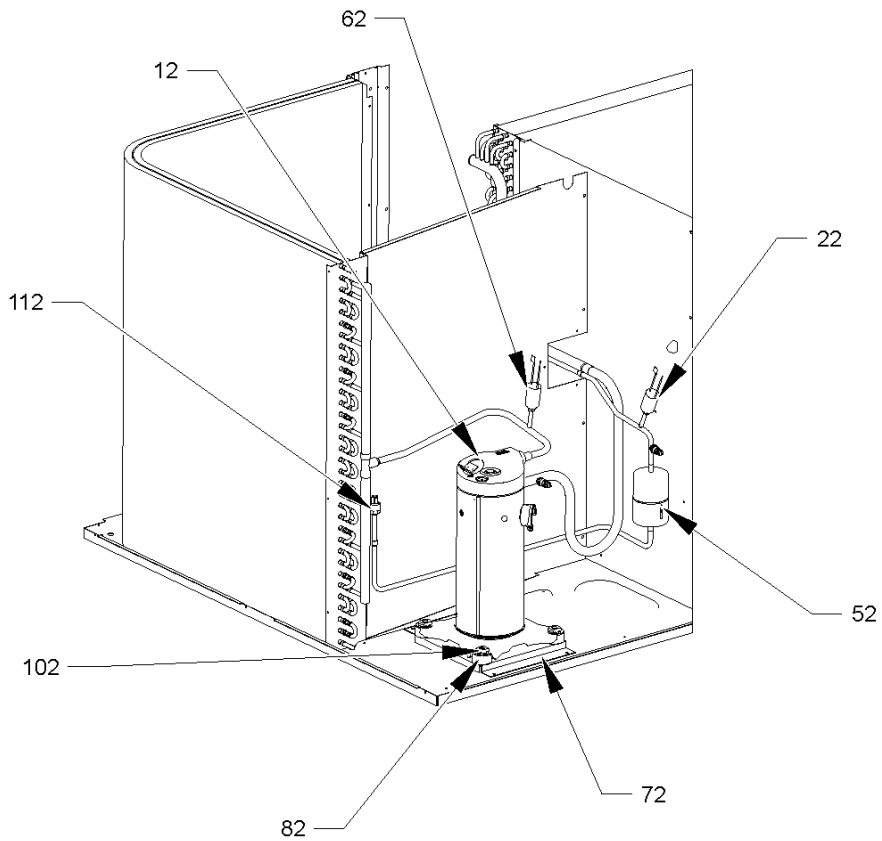


Image 2



Top Panel/Tubing Assy

Ref. Part No: No:	Description:	Ref. Part No: No:	Description:
-------------------	--------------	-------------------	--------------

Image 1:

11	0270L00086S	INSULATED ASSY, TOP PANEL
21	0131M00098S	COND MOTOR 575V
31	0163M00006P	ACORN NUT 5/16 HEX BLACK (QTY 4)
41	0152G00002S	FAN GRILLE
51	17788000083F	PVC CONDUIT 8.25"
61	0150G00001S	FAN BLADE
71	0161L00000	VENTURI RING 22"

Image 2:

12	ZP31K5ETFE830	COMPRESSOR 31100, 575/60/3
22	0130L00007	CUT-OUT SWITCH, LOW PRESSURE
52	B1219204	BI-FLOW FILTER DRIER
62	0130M00055	CUT-OUT SWITCH, HIGH PRESSURE
72	0121L00310	COMPRESSOR MOUNTING PLATE
82	B1339533	COMPRESSOR GROMMET (QTY 4)
102	M0221641	TF SHOULDER SCREW (QTY 4)
112	0162M00114	FLOWRATOR .053
NS	0159L00028	COMPRESSOR SCROLL HARNESS

Expanded Model Nomenclature

M1 - CPG0360907BXJXBA
M2 - CPG0360907BXSXBA
M3 - CPG0360907BXXXBA
M4 - CPG0360907HAXXBA

Cabinet Assy

Image 1

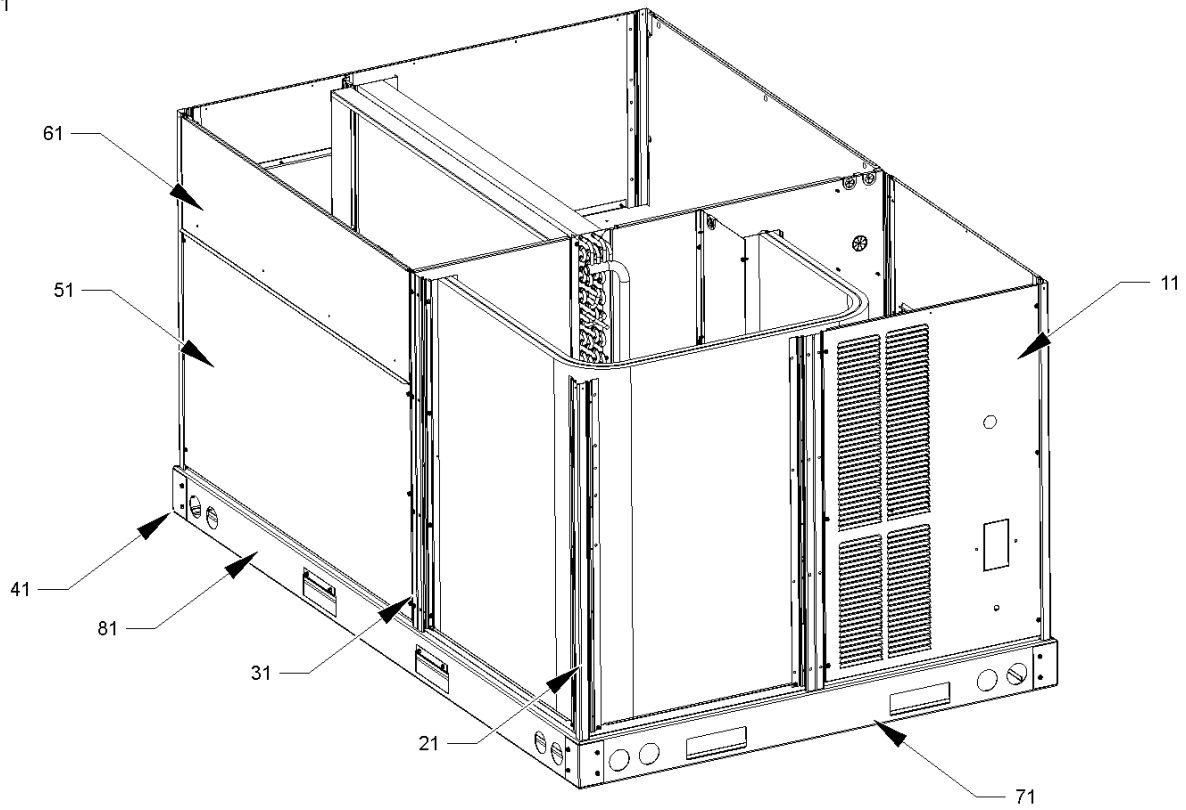
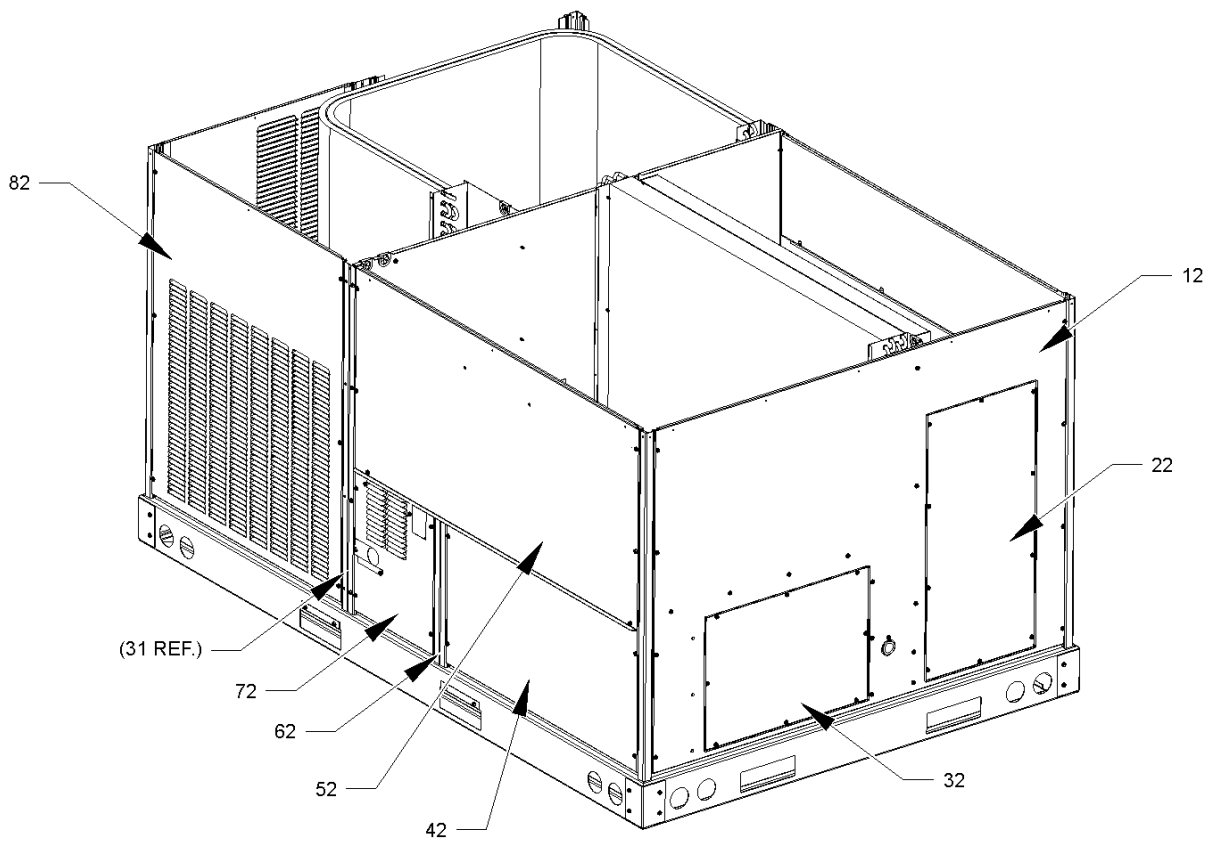


Image 2



Cabinet Assy

Ref. Part No:	Ref. Part No:	Description:	Description:
---------------	---------------	--------------	--------------

Image 1:

11	0121L00263DG	LOUVERED COMPRESSOR PANEL
21	0121L00237RFDG	CORNER POST (QTY 4)
31	0121L00233RFDG	POST-SIDE SUPPORT (QTY 3)
41	0121G00301	RAIL CORNER BRACKET (QTY 4)
51	0270L00081	INSULATED ASSY, ECONOMIZER DOOR
61	0270L00080	INSULATED ASSY, FILTER DOOR
71	0121L00245	END RAIL (QTY 2)
81	0121L00244	SIDE RAIL (QTY 2)
NS	DNECONGS3672BF	ECONOMIZER GAS ASSY [DOWNFLOW] (M4)

Image 2:

12	0270L00079	INSULATED ASSY, DUCT PANEL
22	0270L00011S	INSULATED ASSY, RETURN DUCT
32	0270L00012S	INSULATED ASSY, SUPPLY DUCT
42	0270L00083	INSULATED ASSY, HEAT EXCHANGER DOOR
52	0270L00084	INSULATED ASSY, BLOWER DOOR
62	0121L00255RFDG	POST-BURNER DOOR
72	0270L00091	BURNER DOOR ASSEMBLY
82	0121L00262DG	LOUVERED CONTROL PANEL
NS	0121L00295DG	FLUE COLLAR
NS	0121L00276	RAIN SHIELD-DOOR

Expanded Model Nomenclature

M1 - CPG0360907BXJXBA
M2 - CPG0360907BXSXBA
M3 - CPG0360907BXXXBA
M4 - CPG0360907HAXXBA

Partition Assy

Image 1

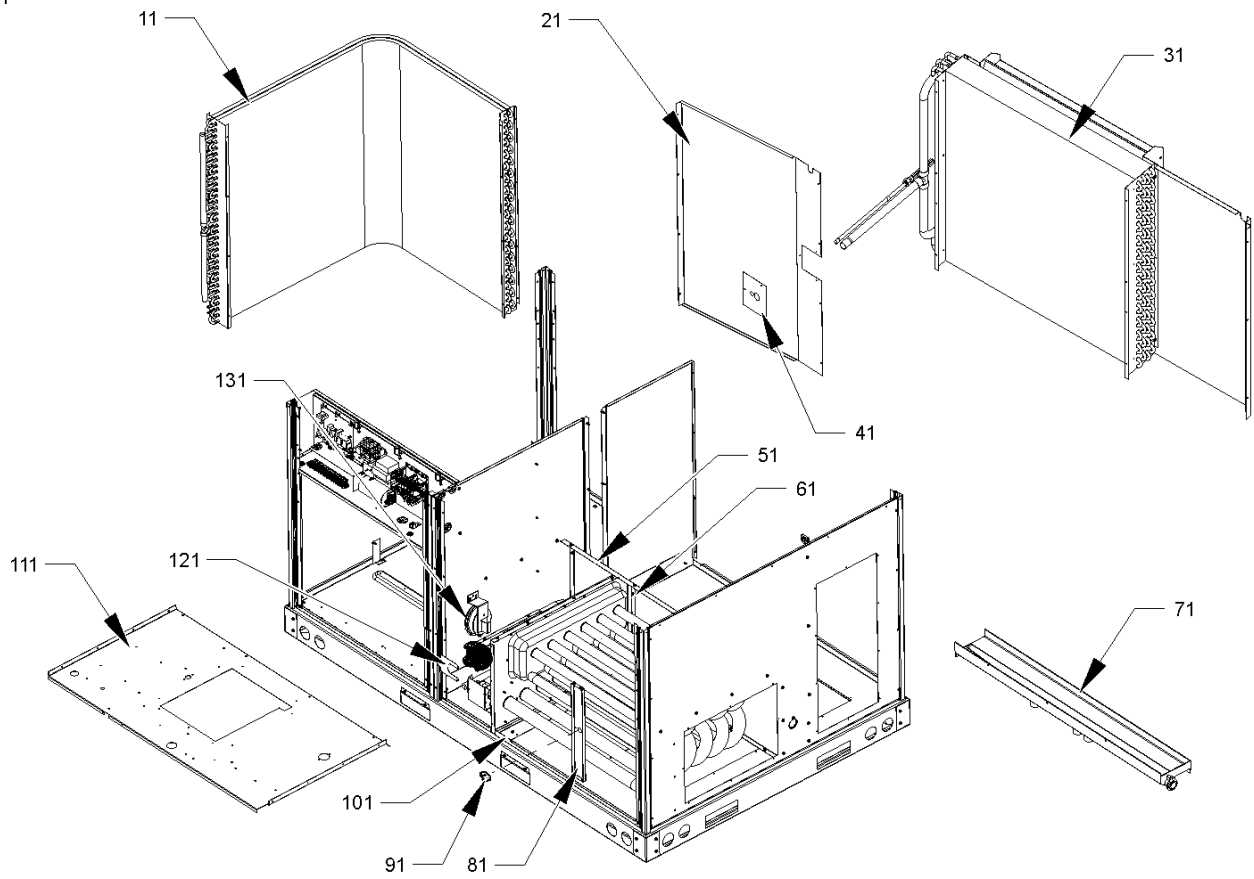
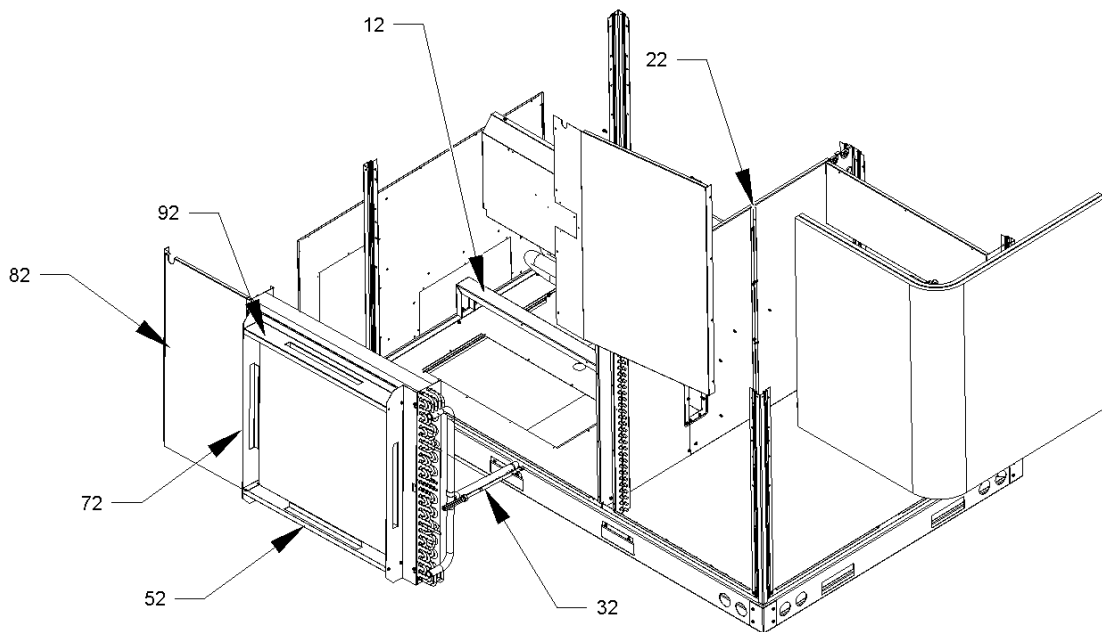


Image 2



Partition Assy

Ref. Part No: No:	Description:	Ref. Part No: No:	Description:
-------------------	--------------	-------------------	--------------

Image 1:

11	0201L00048S	TUBING ASSY, COND COIL 575V (M2, M3, M4)
11	0201L00051S	TUBING ASSY, COND COIL 575V (M1)
21	0121L00319	COND BLOCK-OFF
31	0202L00024S	TUBING ASSY, EVAP COIL
41	0121L00324	COND BLOCK-OFF PLATE
51	0121L00243	DECK SIDE CHANNEL
61	0121L00293	BACK ANGLE-HEAT EXCHANGER (QTY 2)
71	0161L00005	DRAIN PAN
81	0121L00300	SUPPORT POST-DECK
91	0130M00063	PRIMARY LIMIT - GOLD 140°
101	0121L00266	HEAT PANEL CHANNEL (QTY 2)
111	0121L00242	BLOWER DECK
121	0121L00299DG	GAS VALVE BRACKET
131	11112501S	PRESSURE SWITCH
NS	A3468601	PRESSURE SWITCH HOSE (QTY 2)

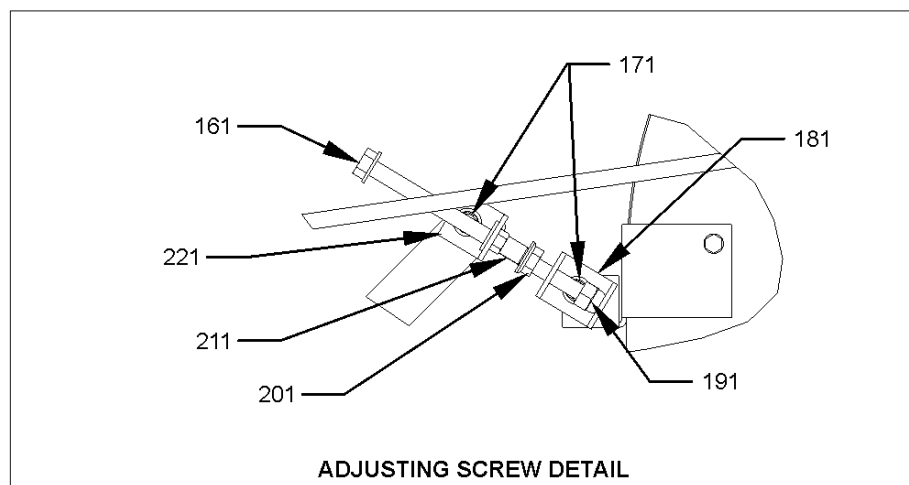
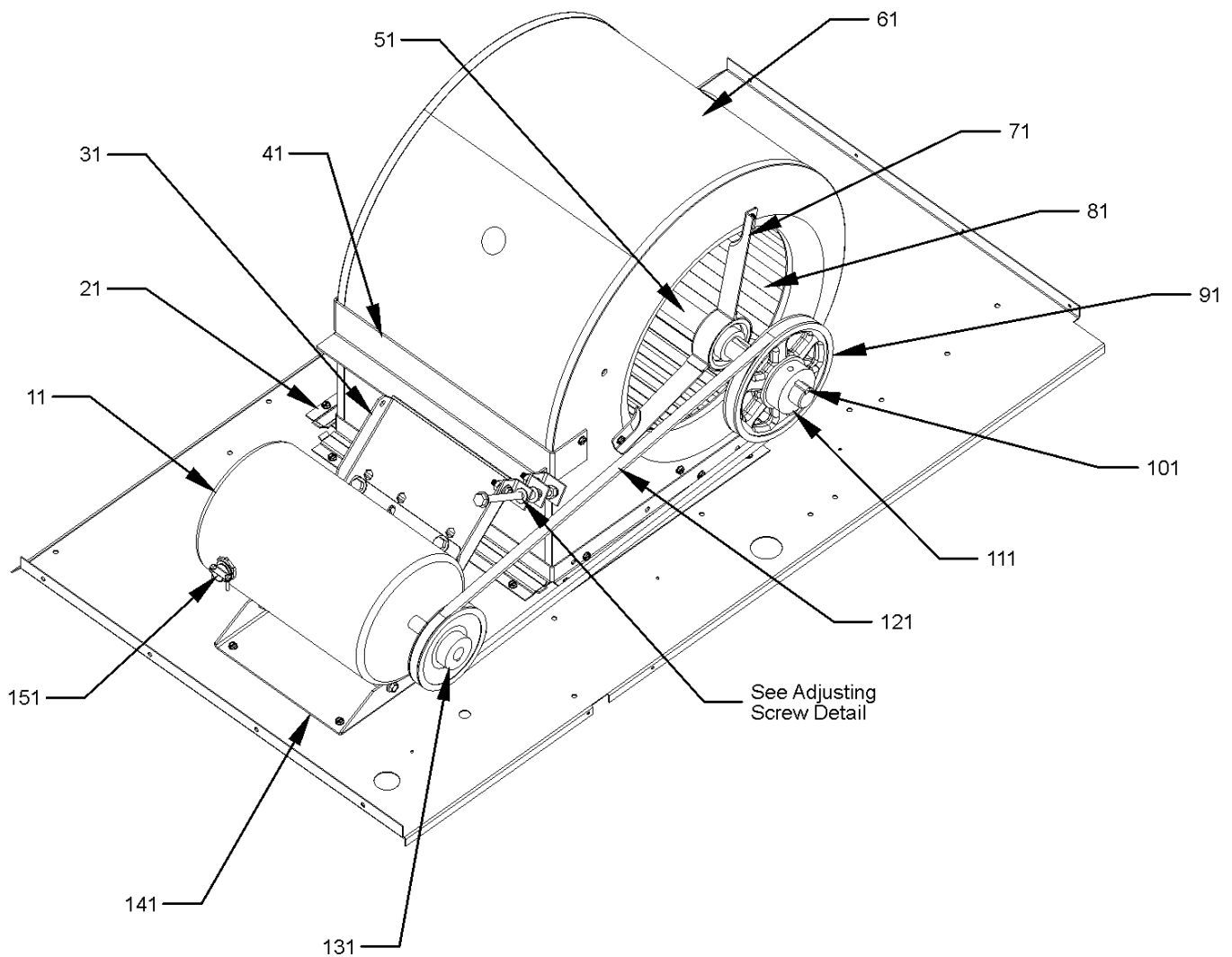
Image 2:

12	0121L00238	DRAIN PAN SUPPORT
22	0121L00254	COND MOUNTING ANGLE
32	0162M00078S	FLOWRATOR [EVAP]
52	0121L00291	FILTER ANGLE-BOTTOM
72	0121L00292	FILTER ANGLE-VERTICAL (QTY 2)
82	0121L00289	EVAP BLOCK-OFF
92	0121L00290	FILTER ANGLE-TOP
NS	0160L00046	FILTER 24 X 24

Expanded Model Nomenclature

M1 - CPG0360907BXJXBA
M2 - CPG0360907BXSXBA
M3 - CPG0360907BXXXBA
M4 - CPG0360907HAXXBA

Belt Drive Assy



Belt Drive Assy

Ref. Part No:	No:	Description:	Ref. Part No:	No:	Description:
<i>Image 1:</i>					
11	0131L00004S	BELT DRIVE MOTOR 1.5 HP 575V			
21	0121L00297	BLOWER SIDE ANGLE (QTY 3)			
31	0121L00271	MOTOR MOUNT PLATE			
41	0121L00792	MOTOR MOUNT ANGLE			
51	0163L00005	BELT DRIVE BLOWER SHAFT			
61	2539302FS	BLOWER HOUSING ASSY 11X10			
71	B3201300	MOUNTING BRACKET BEARING (QTY 2)			
81	B1368056	BELT DRIVE BLOWER WHEEL			
91	B2120011	FIXED SHEAVE			
91	B3204303	FIXED SHEAVE AK61 (M4)			
101	B1398604	STEEL KEY (000158812) 2.0"			
111	B1399500	BALL BEARING 1.00" (QTY 2)			
121	0164L00003	FAN BELT, NOTCHED			
131	0163L00024	VARIABLE PITCH SHEAVE 1VL40 X 5/8"			
131	B2120001	VARIABLE PITCH SHEAVE 1VL44 X 3/8" (M4)			
141	0121L00273	MOTOR PIVOT ANGLE			
151	B1393726	ELECT. CONNECTING BUSHING			
161	0163M00054	BOLT			
171	B1393738	BOLT 1/4-20 X 3/4" (QTY 4)			
181	0121L00274	MOTOR ADJUST BRACKET			
191	0163M00055	ACORN NUT 5/16 X 18			
201	B1393020	FLANGED LOCKNUT 5/16-18TPI			
211	B1393027	HEX NUT INSERT 5/16-18 (QTY 5)			
221	0121L00275	MOUNTING BRACKET INSERT			
NS	1864703F	BLOWER CUT-OFF			
NS	B1398603	STEEL KEY (000158812) 4.5" (M4)			

Expanded Model Nomenclature

M1 - CPG0360907BXJXBA
M2 - CPG0360907BXSXBA
M3 - CPG0360907BXXXBA
M4 - CPG0360907HAXXBA

Heat Exchanger and Control Panel Assy

Image 1

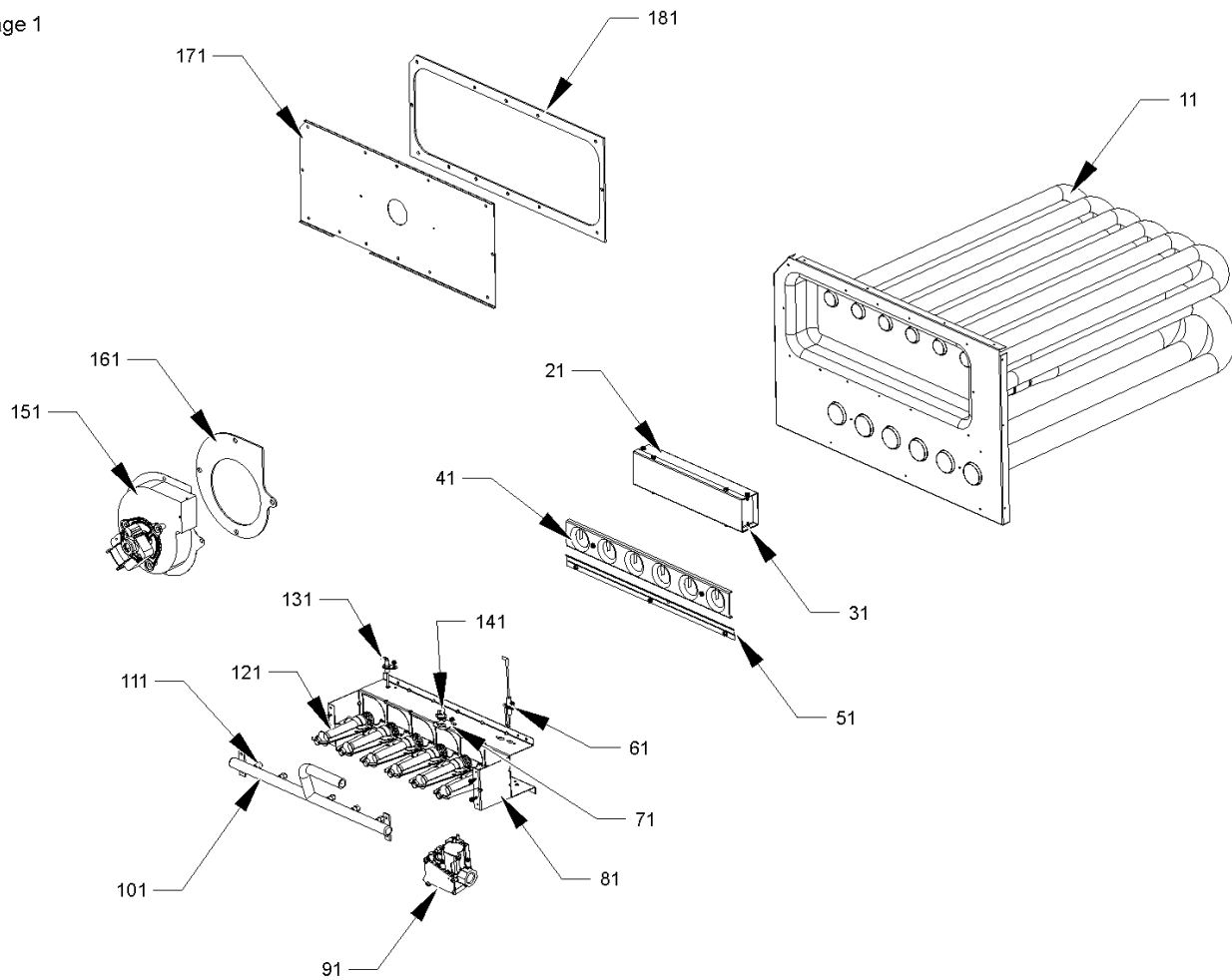
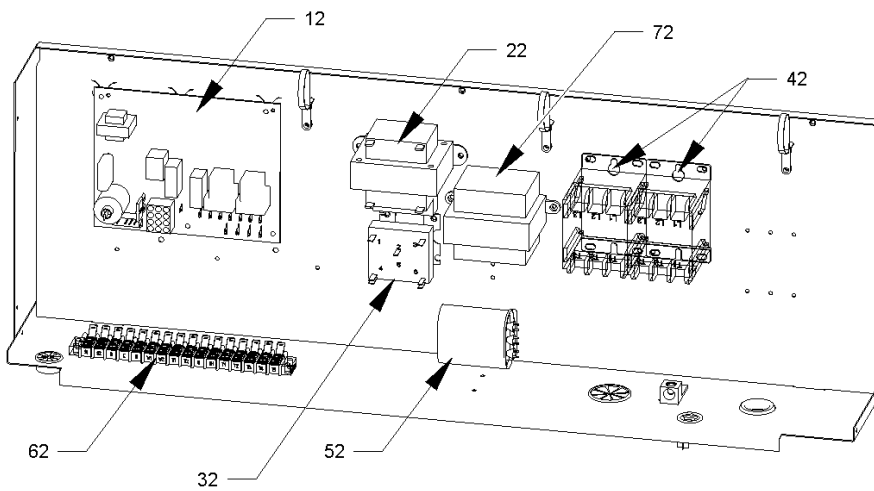


Image 2



Heat Exchanger and Control Panel Assy

Ref. Part No: No:	Description:	Ref. Part No: No:	Description:
-------------------	--------------	-------------------	--------------

Image 1:

11	0270L00092S	PART/TUBE ASSY 4B (M1, M3, M4)
11	0270L00105S	PART/TUBE ASSY 4B (M2)
21	0121L00277	FLUE CHANNEL
31	0121L00278	FLUE SIDE COVER
41	11072203	ORIFICE SHIELD
51	0121L00267	BURNER SLIDE BRACKET
61	20261709S	IGNITOR
71	0121L00053	FLAME ROLLOUT BRACKET
81	20190412	BURNER BRACKET 4B
91	0151F00000P	GAS VALVE - WHITE-RODGERS 2-STAGE
101	0163L00026	MANIFOLD - 4 BRNR
111	10716003	ORIFICE (QTY 4)
121	10735102S	BECKETT BURNER (QTY 4)
131	0130F00010	FLAME SENSOR
141	10123532	MANUAL RESET LIMIT 350°F
151	0131M00121S	ID COMBUSTION BLOWER
161	0154L00020	ID BLOWER GASKET
171	0121L00284	ID BLOWER PLATE 4 BRNR
181	0154L00018	ID BLOWER PLATE GASKET 4 BRNR
NS	0163L00028	FLUE SCREEN
NS	0259L00065	WIRING HARNESS
NS	0259L00068	WIRING HARNESS
NS	0259L00069	WIRING HARNESS

Image 2:

12	PCBAG123S	IGNITION BOARD, DSI INTEGRATED
22	0130M00045S	TRANSFORMER 575/24V
32	0130M00025S	24V RELAY
42	CONT3P025024VS	CONTACTOR 25 AMP, 3P, 24V (QTY 2)
52	CAP050000370VAS	CAPACITOR 5/370V
62	0130M00038S	TERMINAL BOARD
72	0130M00044S	TRANSFORMER 575/230V
NS	0259L00067	12-PIN MALE PLUG ASSY
NS	20520901	CAPACITOR STRAP
NS	0259L00075	CONTROL HARNESS
NS	0259L00054	WIRING HARNESS

Expanded Model Nomenclature

M1 - CPG0360907BXJXBA
M2 - CPG0360907BXSXBA
M3 - CPG0360907BXXXBA
M4 - CPG0360907HAXXBA