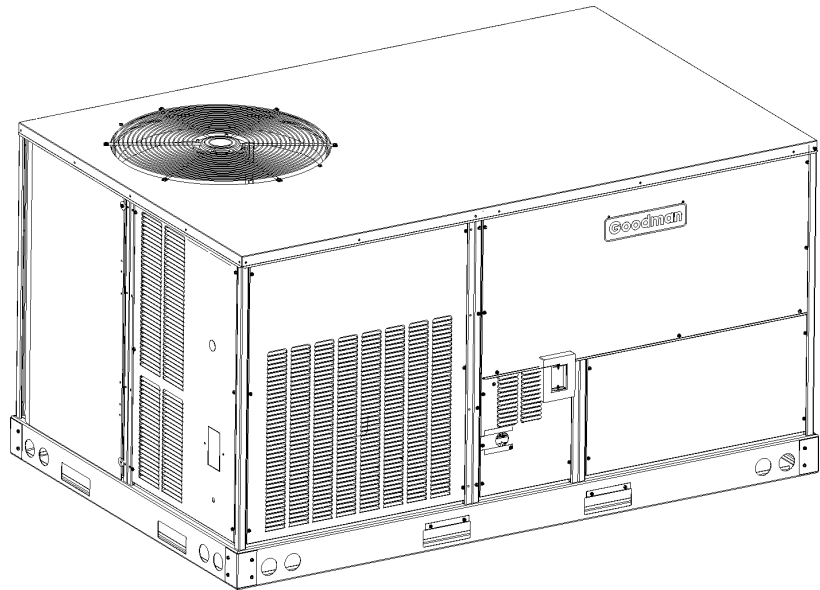


REPAIR PARTS

Commercial 3 Ton Package Gas Units

CPG0360453BASMBBA
CPG0360453BXJXBA
CPG0360453BXSXBA
CPG0360453BXXBBA
CPG0360453BXXXBA
CPG0360453HHXGBA
CPG0360454BXJXBA
CPG0360454BXSXBA
CPG0360454BXXBBA
CPG0360454BXXEBA
CPG0360454BXXXBA
CPG0360903BAACBA
CPG0360903BASMBBA
CPG0360903BHAXBA
CPG0360903BHXJBA
CPG0360903BHXNBA
CPG0360903BHXZBA
CPG0360903BJSBBA
CPG0360903BXJXBA
CPG0360903BXSXBA
CPG0360903BXXBBA
CPG0360903BXXXBA
CPG0360903HACMBBA
CPG0360903HJCYBA
CPG0360904BHXUBA
CPG0360904BXJXBA
CPG0360904BXSXBA
CPG0360904BXXXBA
CPG0360907BASFBBA



This manual is to be used by qualified technicians only.

This manual replaces RP-527H.

© 2008-2013, 2016 Goodman Manufacturing Company, L.P. ♦ 5151 San Felipe St., Suite 500 ♦ Houston, TX 77056

Important Information

Index

Functional Parts List	3
Illustration and Parts	4 - 15

Views shown are for parts illustrations only, not servicing procedures

Text Codes:

AR - As Required

NA - Not Available

NS - Not Shown

00000000 - See Note

QTY - Quantity Example (QTY 3) (If Quantity not shown, Quantity = 1)

M - Model Example (M1) (If M Code not shown, then part is used on all Models)

Expanded Model Nomenclature:

Example M1 - Model#1 M2 - Model#2 M3 - Model#3

Goodman Manufacturing Company, L.P. is not responsible for personal injury or property damage resulting from improper service. Review all service information before beginning repairs.

Warranty service must be performed by an authorized technician, using authorized factory parts. If service is required after the warranty expires, Goodman Manufacturing Company, L.P. also recommends contacting an authorized technician and using authorized factory parts.

Goodman Manufacturing Company, L.P. reserves the right to discontinue, or change at any time, specifications or designs without notice or without incurring obligations.

For assistance within the U.S.A. contact:
Consumer Affairs Department
Goodman Manufacturing Company, L.P.
7401 Security Way
Houston, Texas 77040
877-254-4729-Telephone
713-863-2382-Facsimile

For assistance outside the U.S.A. contact:
International Division
Goodman Manufacturing Company, L.P.
7401 Security Way
Houston, Texas 77040
713-861-2500-Telephone
713-863-2382-Facsimile

Functional Parts

Part

No: **Description:**

Part No:	Description:	Expanded Model Nomenclature
0130M00025	24V RELAY	M1 - CPG0360453BASMB
B1370155	AUXILIARY LIMIT SWITCH 120°F (M12, M13, M14, M15, M16, M17, M18, M19, M20, M21, M22, M23, M24, M25, M26, M27, M28, M29)	M2 - CPG0360453BXJXBA
B1368056	BELT DRIVE BLOWER WHEEL	M3 - CPG0360453BXSXBA
0131L00003	BELT DRIVE MOTOR 1 HP (M1, M2, M3, M4, M5, M7, M8, M9, M10, M11, M12, M13, M14, M15, M16, M17, M18, M19, M20, M21, M22, M25, M26, M27, M28)	M4 - CPG0360453BXXBBA
B3240007	BELT DRIVE MOTOR 1.5 HP (M6, M23, M24)	M5 - CPG0360453BXXBBA
0131L00004	BELT DRIVE MOTOR 1.5 HP 575V (M29)	M6 - CPG0360453HHXGBA
CAP050000370VA	CAPACITOR 5/370V	M7 - CPG0360454BXJXBA
ZP31K5ETFE830	COMPRESSOR 31100, 575/60/3 (M29)	M8 - CPG0360454BXSXBA
ZP31K5ETF5830	COMPRESSOR 31200, 200/230/60/3 (M1, M2, M3, M4, M5, M6, M12, M13, M14, M15, M16, M17, M18, M19, M20, M21, M22, M23, M24)	M9 - CPG0360454BXXBBA
ZP31K5ETFD130	COMPRESSOR 31200, 460/60/3 (M7, M8, M9, M10, M11, M25, M26, M27, M28)	M10 - CPG0360454BXXEBA
0131M00429	COND MOTOR 1/4 HP, 1 SP, 6 PL (M1, M2, M3, M4, M5, M6, M12, M13, M14, M15, M16, M17, M18, M19, M20, M21, M22, M23, M24)	M11 - CPG0360454BXXXBA
B13400269	COND MOTOR 380/460 50/60 CYCLE (M7, M8, M9, M10, M11, M25, M26, M27, M28)	M12 - CPG0360903BAACBA
0131M00098	COND MOTOR 575V (M29)	M13 - CPG0360903BASMB
CONT3P025024V	CONTACTOR 25 AMP, 3P, 24V (M7, M8, M9, M10, M11, M25, M26, M27, M28, M29)	M14 - CPG0360903BHAXBA
CONT3P030024V	CONTACTOR 30 AMP, 3P, 24V (M1, M2, M3, M4, M5, M6, M12, M13, M14, M15, M16, M17, M18, M19, M20, M21, M22, M23, M24)	M15 - CPG0360903BHXJBA
0130M00055	CUT-OUT SWITCH, HIGH PRESSURE	M16 - CPG0360903BHXNBA
0130L00007	CUT-OUT SWITCH, LOW PRESSURE	M17 - CPG0360903BHXZBA
0130F00010	FLAME SENSOR	M18 - CPG0360903BJSBBA
0151F00000P	GAS VALVE - WHITE-RODGERS 2-STAGE (M12, M13, M14, M15, M16, M17, M18, M19, M20, M21, M22, M23, M24, M25, M26, M27, M28, M29)	M19 - CPG0360903BXJXBA
0151M00013	GAS VALVE (HW) SINGLE STAGE (M1, M2, M3, M4, M5, M6, M7, M8, M9, M10, M11)	M20 - CPG0360903BXSXBA
0131M00121	ID COMBUSTION BLOWER	M21 - CPG0360903BXXBBA
PCBAG123	IGNITION BOARD, DSI INTEGRATED	M22 - CPG0360903BXXXBA
20261709	IGNITOR	M23 -
0270L00106	PART/TUBE ASSY 2B (M1, M3, M8)	M24 - CPG0360903HJCYBA
0270L00099	PART/TUBE ASSY 2B (M2, M4, M5, M6, M7, M9, M10, M11)	M25 - CPG0360904BHXUBA
0270L00092	PART/TUBE ASSY 4B (M12, M14, M15, M16, M17, M19, M21, M22, M25, M26, M28)	M26 - CPG0360904BXJXBA
0270L00105	PART/TUBE ASSY 4B (M13, M18, M20, M23, M24, M27, M29)	M27 - CPG0360904BXSXBA
11112501	PRESSURE SWITCH	M28 - CPG0360904BXXXBA
0130M00063	PRIMARY LIMIT - GOLD 140° (M1, M2, M3, M4, M5, M6, M7, M8, M9, M10, M11)	M29 - CPG0360907BASFBA
0130F00038	PRIMARY LIMIT - LT BLUE 120° (AUX) (M1, M2, M3, M4, M5, M6, M7, M8, M9, M10, M11)	
20162905	PRIMARY LIMIT-YELLOW (M12, M13, M14, M15, M16, M17, M18, M19, M20, M21, M22, M23, M24, M25, M26, M27, M28, M29)	
0130M00038	TERMINAL BOARD	
0130M00138	TRANSFORMER 208/230, 24V (M1, M2, M3, M4, M5, M6, M12, M13, M14, M15, M16, M17, M18, M19, M20, M21, M22, M23, M24)	
B1141663	TRANSFORMER 460V TO 230V, 150 VA (M7, M8, M9, M10, M11, M25, M26, M27, M28)	
0130M00145	TRANSFORMER 480V TO 24V, 75VA (M7, M8, M9, M10, M11, M25, M26, M27, M28)	
0130M00148	TRANSFORMER 575V TO 24V, 75VA (M29)	

Top Panel/Tubing Assy

Image 1

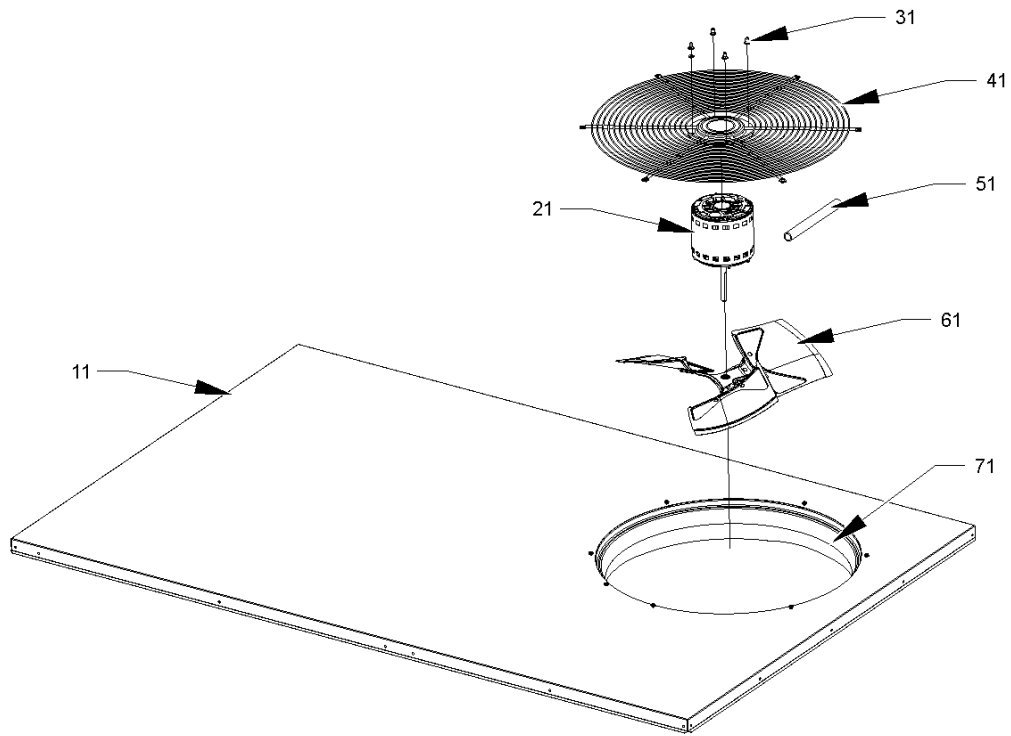
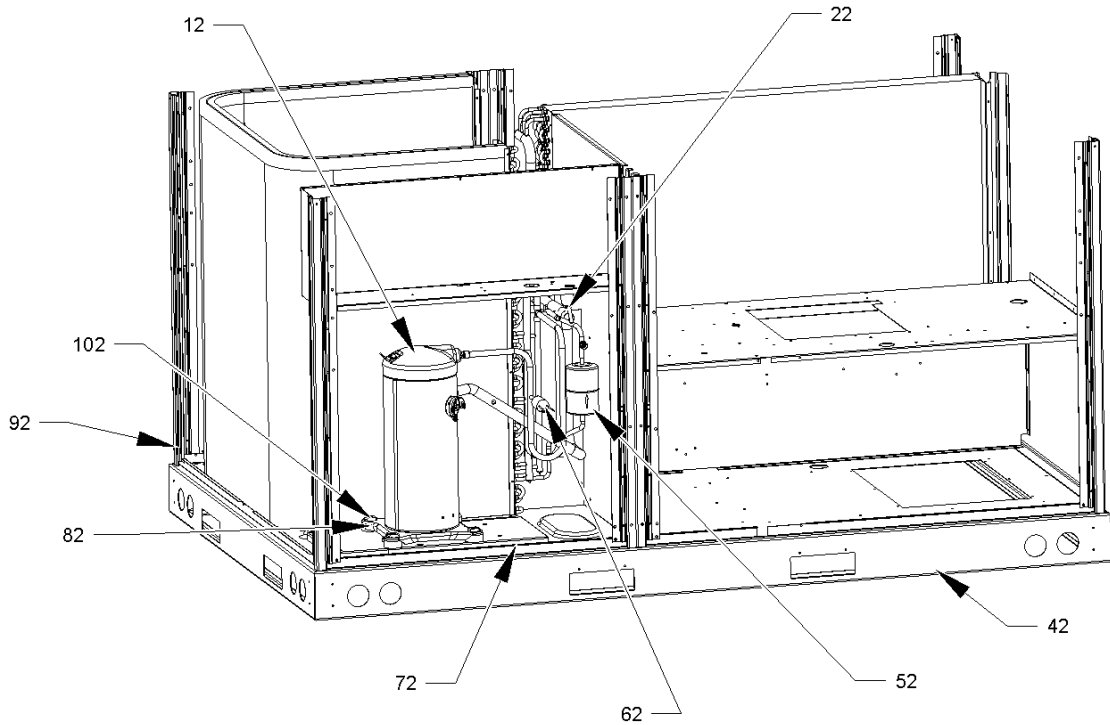


Image 2



Top Panel/Tubing Assy

Ref. Part No: No:	Description:	Ref. Part No: No:	Description:
Image 1:		Expanded Model Nomenclature	
11	0121L00235DG TOP PANEL	M1	CPG0360453BASMBBA
21	0131M00429 COND MOTOR 1/4 HP, 1 SP,6 PL (M1, M2, M3, M4, M5, M6, M12, M13, M14, M15, M16, M17, M18, M19, M20, M21, M22, M23, M24)	M2	CPG0360453BXJXBA
21	B13400269 COND MOTOR 380/460 50/60 CYCLE (M7, M8, M9, M10, M11, M25, M26, M27, M28)	M3	CPG0360453BXSXBA
21	0131M00098 COND MOTOR 575V (M29)	M4	CPG0360453BXXBBA
31	0163M00006P ACORN NUT 5/16 HEX BLACK (QTY 4)	M5	CPG0360453BXXXBA
41	0152G00003 FAN GRILLE	M6	CPG0360453HHXGBA
51	17788000083F PVC CONDUIT 8.25"	M7	CPG0360454BXJXBA
61	0150G00001 FAN BLADE	M8	CPG0360454BXSXBA
71	0161L00000 VENTURI RING 22"	M9	CPG0360454BXXBBA
Image 2:		M10	CPG0360454BXXEBA
12	ZP31K5ETFE830 COMPRESSOR 31100, 575/60/3 (M29)	M11	CPG0360454BXXXBA
12	ZP31K5ETF5830 COMPRESSOR 31200, 200/230/60/3 (M1, M2, M3, M4, M5, M6, M12, M13, M14, M15, M16, M17, M18, M19, M20, M21, M22, M23, M24)	M12	CPG0360903BAACBA
12	ZP31K5ETFD130 COMPRESSOR 31200, 460/60/3 (M7, M8, M9, M10, M11, M25, M26, M27, M28)	M13	CPG0360903BASMBBA
22	0130L00007 CUT-OUT SWITCH, LOW PRESSURE	M14	CPG0360903BHAXBA
42	0121L00244RF SIDE RAIL (QTY 2)	M15	CPG0360903BHXJBA
52	20485201 BI-FLOW FILTER DRIER (M29)	M16	CPG0360903BHXNBA
52	B1219225 SINGLE-FLOW FILTER DRIER, STEEL (M1, M2, M3, M4, M5, M6, M7, M8, M9, M10, M11, M12, M13, M14, M15, M16, M17, M18, M19, M20, M21, M22, M23, M24, M25, M26, M27, M28)	M17	CPG0360903BHXZBA
62	0130M00055 CUT-OUT SWITCH, HIGH PRESSURE	M18	CPG0360903BJSBBA
72	0121L00310 COMPRESSOR MOUNTING PLATE	M19	CPG0360903BXJXBA
82	B1339533 COMPRESSOR GROMMET (QTY 4)	M20	CPG0360903BXSXBA
92	0121L00245 END RAIL (QTY 2)	M21	CPG0360903BXXBBA
102	M0221641 TF SHOULDER SCREW (QTY 4)	M22	CPG0360903BXXXBA
NS	0159L00028 COMPRESSOR SCROLL HARNESS	M23	CPG0360903HACMBA
		M24	CPG0360903HJCYBA
		M25	CPG0360904BHXUBA
		M26	CPG0360904BXJXBA
		M27	CPG0360904BXSXBA
		M28	CPG0360904BXXXBA
		M29	CPG0360907BASFBBA

Cabinet Assy

Image 1

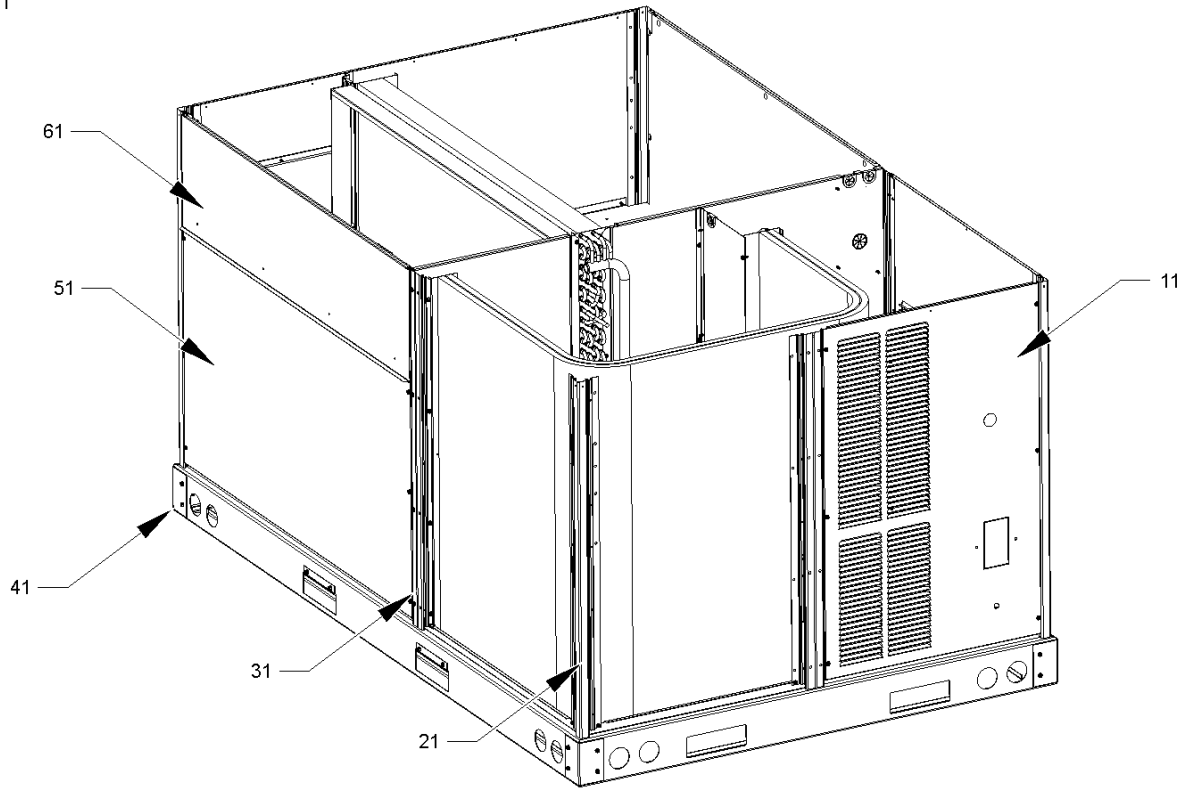
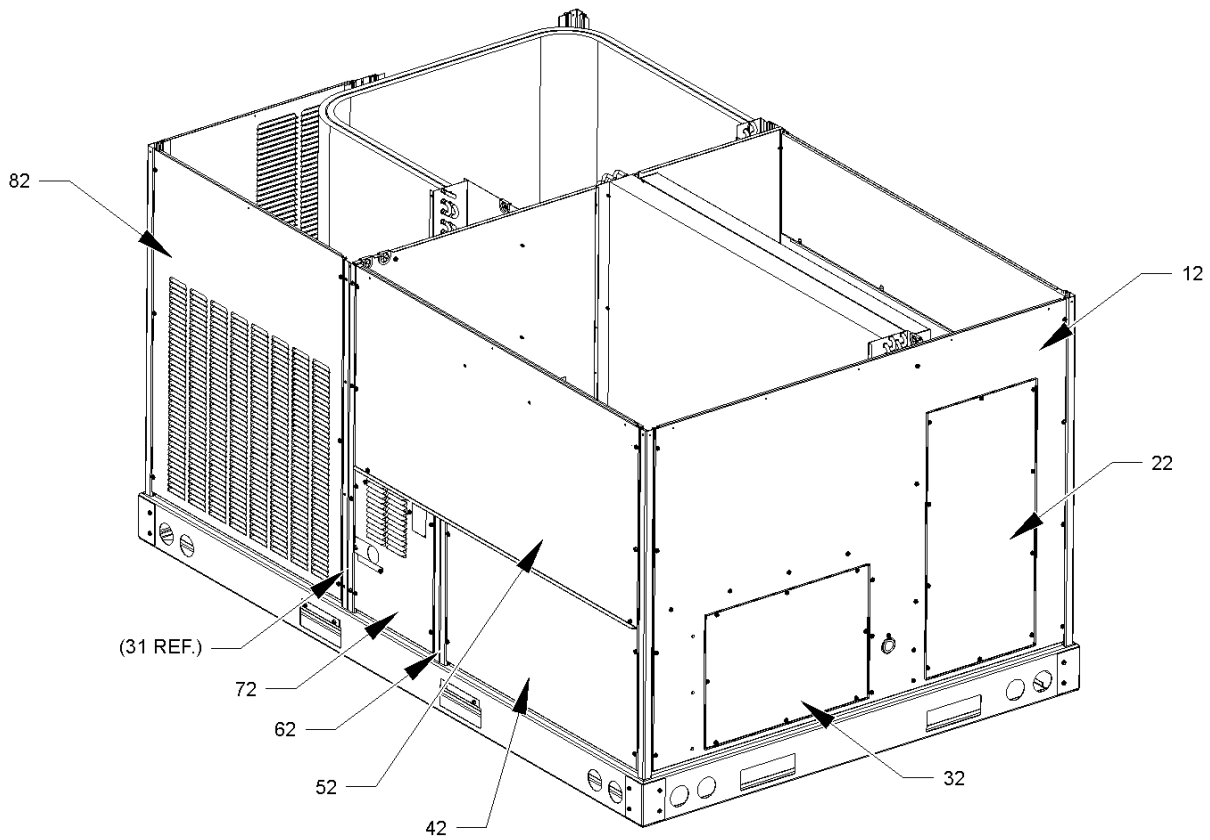


Image 2



Cabinet Assy

Ref. Part No: No:	Description:	Ref. Part No: No:	Description:
-------------------	--------------	-------------------	--------------

Image 1:

11	0121L00263DG	LOUVERED COMPRESSOR PANEL
21	0121L00237RFDG	CORNER POST (QTY 4)
31	0121L00233RFDG	POST-SIDE SUPPORT (QTY 3)
41	0121G00301	RAIL CORNER BRACKET (QTY 4)
51	0121L00976DG	ECONOMIZER DOOR
61	0270L00362DG	FILTER DOOR
NS	0121L00295DG	FLUE COLLAR
NS	0121L00689	RAIN SHIELD-DOOR

Image 2:

12	0121L00236DG	DUCT PANEL
22	0121L00023DG	RETURN DUCT
32	0121L00024DG	SUPPLY DUCT
42	0121L00257DG	HEAT EXCHANGER DOOR
52	0121L00259DG	BLOWER DOOR
62	0121L00255RFDG	POST-BURNER DOOR
72	0121L00706DG	BURNER DOOR
82	0121L00262DG	LOUVERED CONTROL PANEL

Expanded Model Nomenclature

- M1 - CPG0360453BASMBBA
- M2 - CPG0360453BXJXBA
- M3 - CPG0360453BXSXBA
- M4 - CPG0360453BXXBBA
- M5 - CPG0360453BXXXBA
- M6 - CPG0360453HHXGBA
- M7 - CPG0360454BXJXBA
- M8 - CPG0360454BXSXBA
- M9 - CPG0360454BXXBBA
- M10 - CPG0360454BXXEBA
- M11 - CPG0360454BXXXBA
- M12 - CPG0360903BAACBA
- M13 - CPG0360903BASMBBA
- M14 - CPG0360903BHAXBA
- M15 - CPG0360903BHXJBA
- M16 - CPG0360903BHXNBA
- M17 - CPG0360903BHXZBA
- M18 - CPG0360903BJSBBA
- M19 - CPG0360903BXJXBA
- M20 - CPG0360903BXSXBA
- M21 - CPG0360903BXXBBA
- M22 - CPG0360903BXXXBA
- M23 - CPG0360903HACMBBA
- M24 - CPG0360903HJCYBA
- M25 - CPG0360904BHXUBA
- M26 - CPG0360904BXJXBA
- M27 - CPG0360904BXSXBA
- M28 - CPG0360904BXXXBA
- M29 - CPG0360907BASFBBA

Partition Assy

Image 1

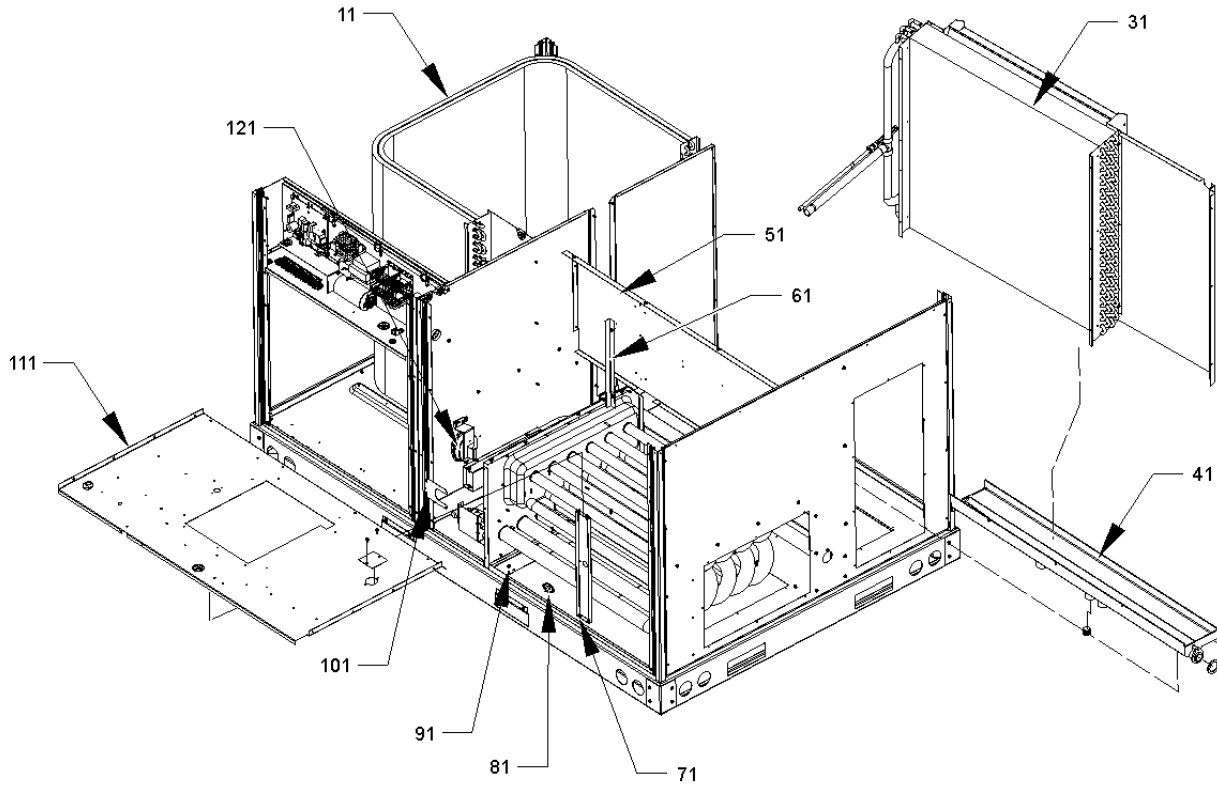
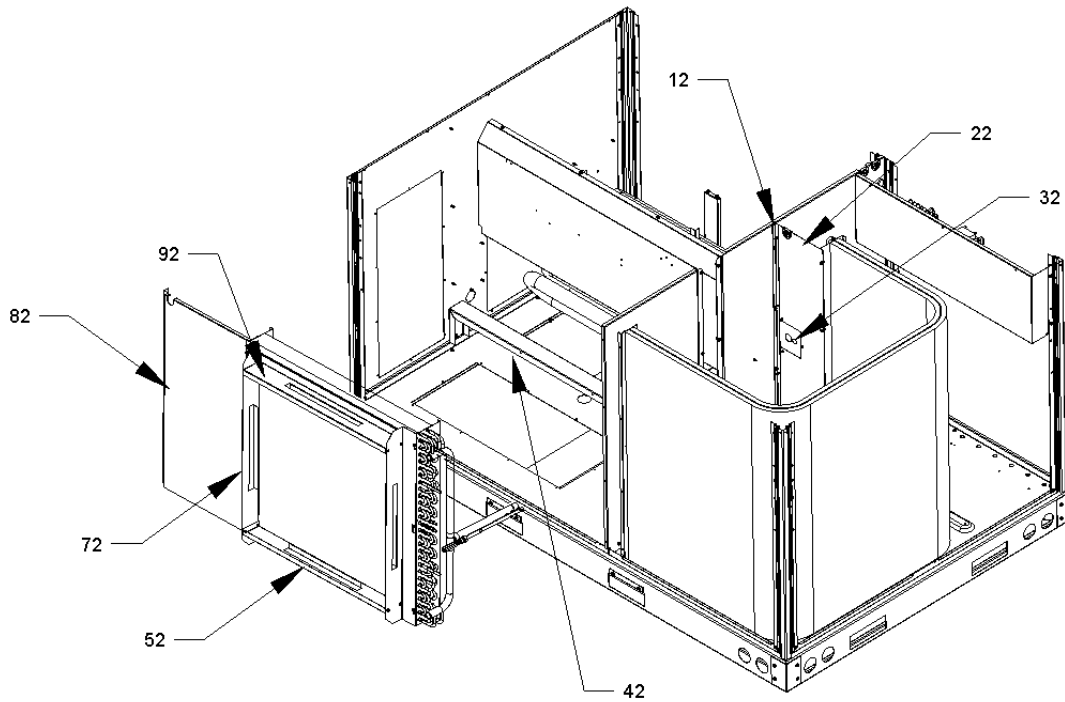


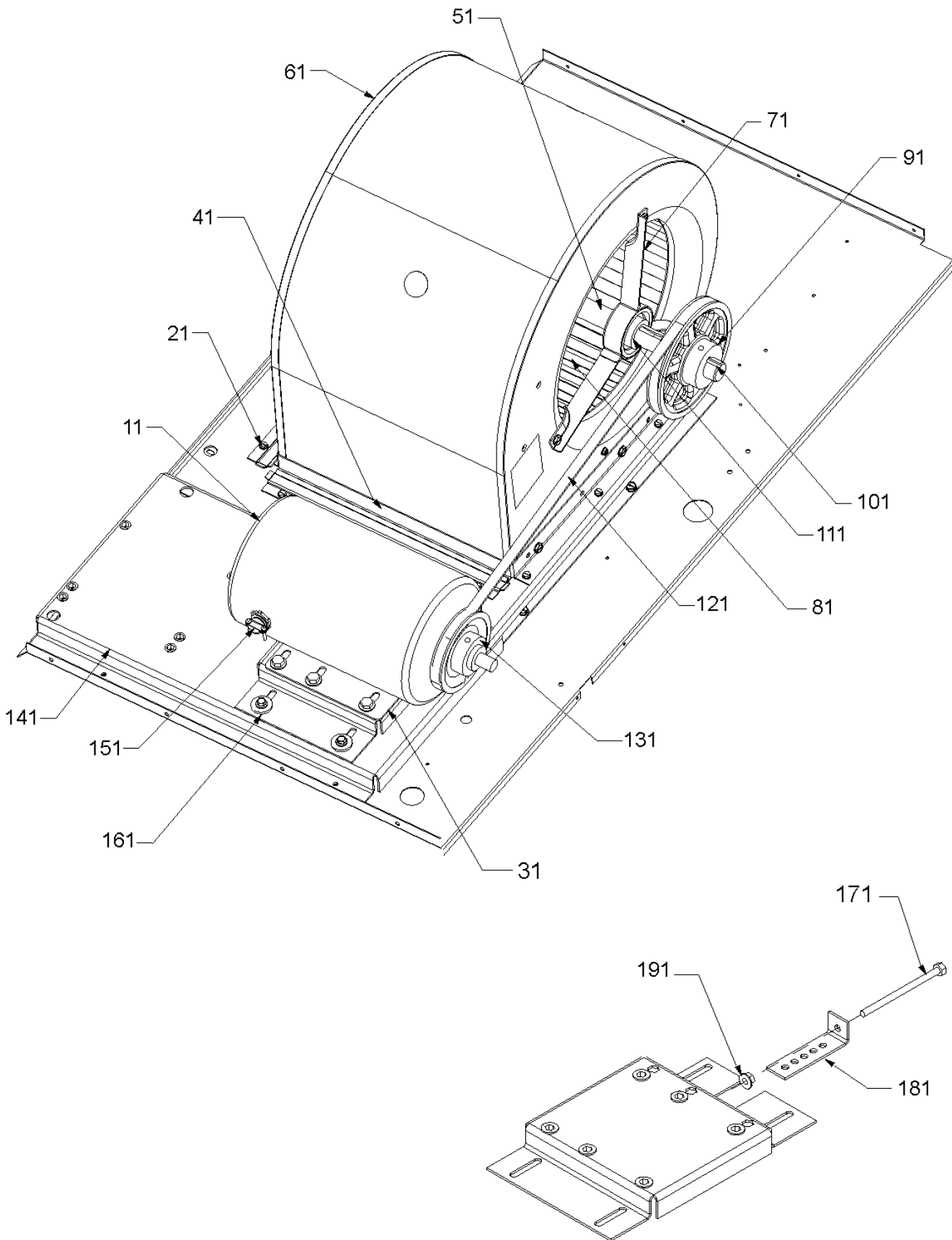
Image 2



Partition Assy

Ref. Part No: No:	Description:	Ref. Part No: No:	Description:
Image 1:		Expanded Model Nomenclature	
11	0201L00036 TUBING ASSY, COND COIL (M1, M3, M4, M5, M6, M8, M9, M10, M11, M12, M13, M14, M15, M16, M17, M18, M20, M21, M22, M23, M24, M25, M27, M28)	M1	CPG0360453BASMBBA
11	0201L00045 TUBING ASSY, COND COIL (M2, M7, M19, M26)	M2	CPG0360453BXJXBA
11	0201L00048 TUBING ASSY, COND COIL 575V (M29)	M3	CPG0360453BXSXBA
31	0202L00024 TUBING ASSY, EVAP COIL	M4	CPG0360453BXXBBA
41	0161L00005 DRAIN PAN	M5	CPG0360453BXXXBA
51	0121L00243 DECK SIDE CHANNEL (M29)	M6	CPG0360453HHXGBA
61	0121L00293 BACK ANGLE-HEAT EXCHANGER (QTY 2)	M7	CPG0360454BXJXBA
71	0121L00300 SUPPORT POST-DECK	M8	CPG0360454BXSXBA
81	0130M00063 PRIMARY LIMIT - GOLD 140° (M1, M2, M3, M4, M5, M6, M7, M8, M9, M10, M11)	M9	CPG0360454BXXBBA
81	20162905 PRIMARY LIMIT-YELLOW (M12, M13, M14, M15, M16, M17, M18, M19, M20, M21, M22, M23, M24, M25, M26, M27, M28, M29)	M10	CPG0360454BXXEBA
91	0121L00266 HEAT PANEL CHANNEL (QTY 2)	M11	CPG0360454BXXXBA
101	0121L00299 GAS VALVE BRACKET	M12	CPG0360903BAACBA
111	0121L00981 DECK BLOWER	M13	CPG0360903BASMBBA
121	11112501 PRESSURE SWITCH	M14	CPG0360903BHAXBA
NS	A3468601 PRESSURE SWITCH HOSE	M15	CPG0360903BHXJBA
Image 2:		M16	CPG0360903BHXNBA
12	0121L00254 COND MOUNTING ANGLE	M17	CPG0360903BHXZBA
22	0121L00311 COND BLOCK-OFF (M1, M2, M3, M4, M5, M6, M7, M8, M9, M10, M11, M12, M13, M14, M15, M16, M17, M18, M19, M20, M21, M22, M23, M24, M25, M26, M27, M28)	M18	CPG0360903BJSBBA
22	0121L00319 COND BLOCK-OFF (M29)	M19	CPG0360903BXJXBA
32	0121L00939 CONDENSER BLOCKOFF PLATE	M20	CPG0360903BXSXBA
42	0121L00238 DRAIN PAN SUPPORT	M21	CPG0360903BXXBBA
52	0121L00291 FILTER ANGLE-BOTTOM	M22	CPG0360903BXXXBA
72	0121L00292 FILTER ANGLE-VERTICAL (QTY 2)	M23	CPG0360903HACMBA
82	0121L00289 EVAP BLOCK-OFF	M24	CPG0360903HJCYBA
92	0121L00290 FILTER ANGLE-TOP	M25	CPG0360904BHXUBA
NS	0160L00046 FILTER 24 X 24	M26	CPG0360904BXJXBA
		M27	CPG0360904BXSXBA
		M28	CPG0360904BXXXBA
		M29	CPG0360907BASFBBA

Belt Drive Assy



Belt Drive Assy

Ref. Part No: No:	Description:	Ref. Part No: No:	Description:
Image 1:		Expanded Model Nomenclature	
11	0131L00003	BELT DRIVE MOTOR 1 HP (M1, M2, M3, M4, M5, M7, M8, M9, M10, M11, M12, M13, M14, M15, M16, M17, M18, M19, M20, M21, M22, M25, M26, M27, M28)	M1 - CPG0360453BASMBBA M2 - CPG0360453BXJXBA M3 - CPG0360453BXSXBA M4 - CPG0360453BXXBBA M5 - CPG0360453BXXXBA M6 - CPG0360453HHXGBA M7 - CPG0360454BXJXBA M8 - CPG0360454BXSXBA M9 - CPG0360454BXXBBA M10 - CPG0360454BXXEBA M11 - CPG0360454BXXXBA M12 - CPG0360903BAACBA M13 - CPG0360903BASMBBA M14 - CPG0360903BHAXBA M15 - CPG0360903BHXJBA M16 - CPG0360903BHXNBA M17 - CPG0360903BHXZBA M18 - CPG0360903BJSBBA M19 - CPG0360903BXJXBA M20 - CPG0360903BXSXBA M21 - CPG0360903BXXBBA M22 - CPG0360903BXXXBA M23 - CPG0360903HACMBA M24 - CPG0360903HJCYBA M25 - CPG0360904BHXUBA M26 - CPG0360904BXJXBA M27 - CPG0360904BXSXBA M28 - CPG0360904BXXXBA M29 - CPG0360907BASFBBA
11	B3240007	BELT DRIVE MOTOR 1.5 HP (M6, M23, M24)	
11	0131L00004	BELT DRIVE MOTOR 1.5 HP 575V (M29)	
21	0121L00297	BLOWER SIDE ANGLE (QTY 3)	
31	0270L00365	MOUNTING PLATE ASSY	
41	0121L00281	BLOWER MOUNTING ANGLE	
51	0163L00005	BELT DRIVE BLOWER SHAFT	
61	2539302F	BLOWER HOUSING 11 X 10	
71	B3201300	MOUNTING BRACKET BEARING (QTY 2)	
81	B1368056	BELT DRIVE BLOWER WHEEL	
91	B2120011	FIXED SHEAVE	
91	B3204303	FIXED SHEAVE AK61 (M6, M23, M24)	
101	B1398604	STEEL KEY (000158812) 2.0"	
111	B1399500	BALL BEARING 1.00" (QTY 2)	
121	0164L00010	FAN BELT, NOTCHED	
131	0163L00024	VARIABLE PITCH SHEAVE 1VL40 X 5/8"	
131	B2120014	VARIABLE PITCH SHEAVE 1VL44 X 7/8" (M6, M23, M24)	
141	0121L00966	SUPPORT BLOWER PLATE	
151	B1393726	ELECT. CONNECTING BUSHING	
161	B1393738	BOLT 1/4-20 X 3/4" (QTY 4)	
171	0163M00045	BOLT 1/4-20 X 4"	
181	3225000F	BELT TIGHTENER ANGLE	
191	B1393023	NUT / LOCK .25-20	
NS	B1370155	AUXILIARY LIMIT SWITCH 120°F (M12, M13, M14, M15, M16, M17, M18, M19, M20, M21, M22, M23, M24, M25, M26, M27, M28, M29)	
NS	1864703F	BLOWER CUT-OFF	
NS	0130F00038	PRIMARY LIMIT - LT BLUE 120° (AUX) (M1, M2, M3, M4, M5, M6, M7, M8, M9, M10, M11)	
NS	B1398603	STEEL KEY (000158812) 4.5"	

Heat Exchanger and Control Panel Assy

Image 1

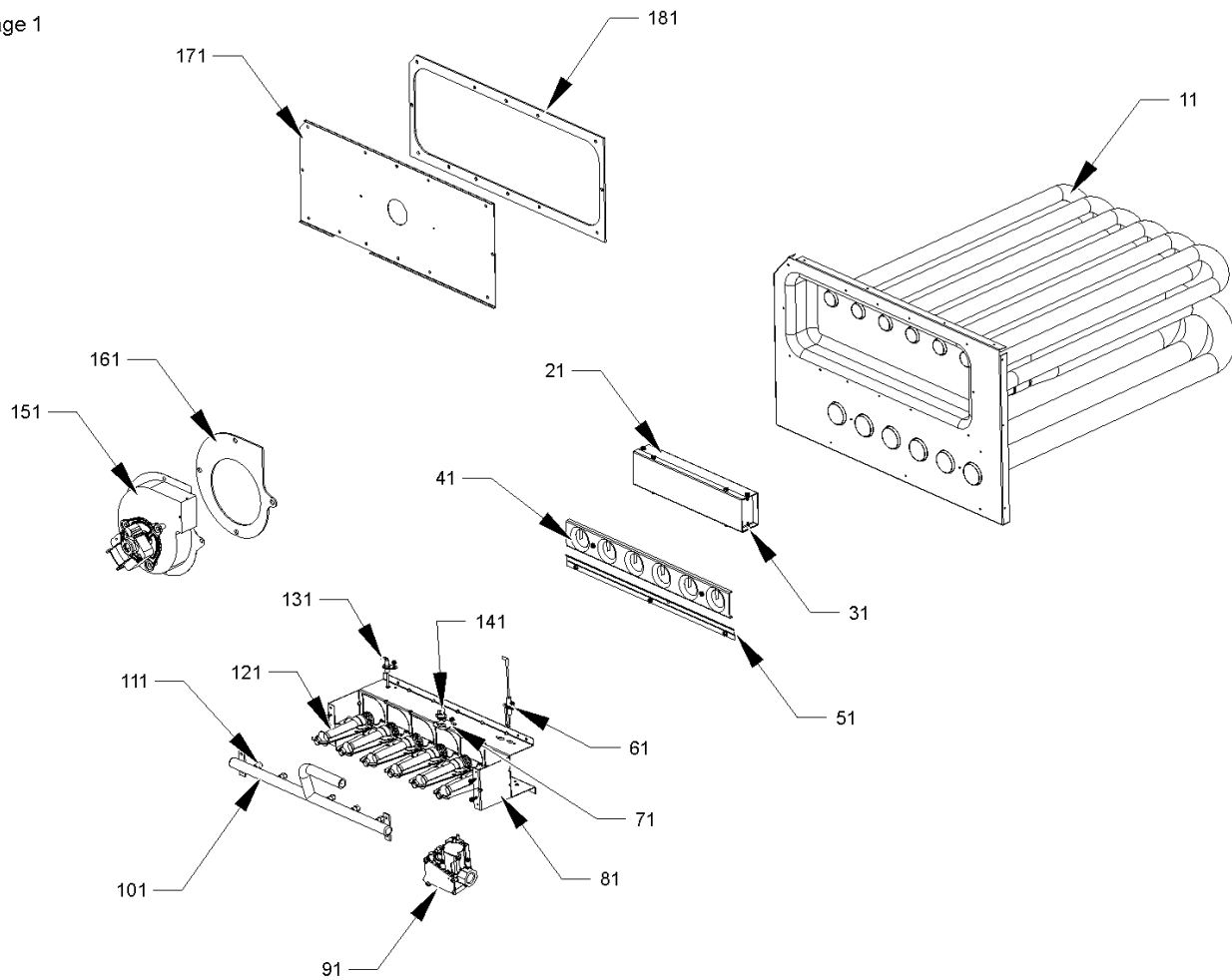
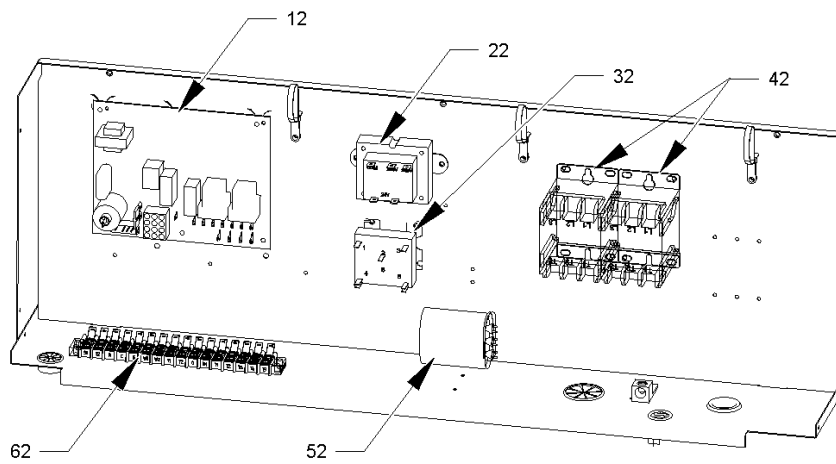


Image 2



Heat Exchanger and Control Panel Assy

Ref. Part No: No:	Description:	Ref. Part No: No:	Description:
Image 1:		Image 2:	
11	0270L00099 PART/TUBE ASSY 2B (M2, M4, M5, M6, M7, M9, M10, M11)	52	CAP050000370VA CAPACITOR 5/370V
11	0270L00106 PART/TUBE ASSY 2B (M1, M3, M8)	62	0130M00038 TERMINAL BOARD
11	0270L00092 PART/TUBE ASSY 4B (M12, M14, M15, M16, M17, M19, M21, M22, M25, M26, M28)	152	0130M00145 TRANSFORMER 480V to 24V, 75VA (M7, M8, M9, M10, M11, M25, M26, M27, M28)
11	0270L00105 PART/TUBE ASSY 4B (M13, M18, M20, M23, M24, M27, M29)	NS	0259L00067 12-PIN MALE PLUG ASSY
21	0121L00277 FLUE CHANNEL	NS	20520901 CAPACITOR STRAP (QTY 2)
31	0121L00278 FLUE SIDE COVER	NS	0259L00074 CONTROL HARNESS (M1, M2, M3, M4, M5, M6, M12, M13, M14, M15, M16, M17, M18, M19, M20, M21, M22, M23, M24)
41	11072201 ORIFICE SHIELD (M1, M2, M3, M4, M5, M6, M7, M8, M9, M10, M11)	NS	0259L00075 CONTROL HARNESS (M7, M8, M9, M10, M11, M25, M26, M27, M28, M29)
41	11072203 ORIFICE SHIELD (M12, M13, M14, M15, M16, M17, M18, M19, M20, M21, M22, M23, M24, M25, M26, M27, M28, M29)	NS	0259L00054 WIRING HARNESS (M1, M2, M3, M4, M5, M6, M12, M13, M14, M15, M16, M17, M18, M19, M20, M21, M22, M23, M24, M29)
51	0121L00267 BURNER SLIDE BRACKET	NS	0259L00060 WIRING HARNESS (M7, M8, M9, M10, M11, M25, M26, M27, M28)
61	20261709 IGNITOR	NS	0259L00065 WIRING HARNESS
71	0121L00053 FLAME ROLLOUT BRACKET	NS	0259L00068 WIRING HARNESS
81	20190410 BURNER BRACKET 2B (M1, M2, M3, M4, M5, M6, M7, M8, M9, M10, M11)	NS	0259L00069 WIRING HARNESS (M12, M13, M14, M15, M16, M17, M18, M19, M20, M21, M22, M23, M24, M25, M26, M27, M28, M29)
81	20190412 BURNER BRACKET 4B (M12, M13, M14, M15, M16, M17, M18, M19, M20, M21, M22, M23, M24, M25, M26, M27, M28, M29)	Expanded Model Nomenclature	
91	0151F00000P GAS VALVE - WHITE-RODGERS 2-STAGE (M12, M13, M14, M15, M16, M17, M18, M19, M20, M21, M22, M23, M24, M25, M26, M27, M28, M29)	M1 - CPG0360453BASMB	
91	0151M00013 GAS VALVE (HW) SINGLE STAGE (M1, M2, M3, M4, M5, M6, M7, M8, M9, M10, M11)	M2 - CPG0360453BXJXBA	
101	0270L00100 MANIFOLD ASSEMBLY-2 BURNER (M1, M2, M3, M4, M5, M6, M7, M8, M9, M10, M11)	M3 - CPG0360453BXSXBA	
101	0270L00093 MANIFOLD ASSEMBLY-4 BURNER (M12, M13, M14, M15, M16, M17, M18, M19, M20, M21, M22, M23, M24, M25, M26, M27, M28, M29)	M4 - CPG0360453BXXBBA	
111	10716003 ORIFICE (QTY 2)	M5 - CPG0360453BXXXBA	
121	10735102 BECKETT BURNER (QTY 2)	M6 - CPG0360453HHXGBA	
131	0130F00010 FLAME SENSOR	M7 - CPG0360454BXJXBA	
141	10123532 MANUAL RESET LIMIT 350°F	M8 - CPG0360454BXSXBA	
151	0131M00121 ID COMBUSTION BLOWER	M9 - CPG0360454BXXBBA	
161	0154L00020 ID BLOWER GASKET	M10 - CPG0360454BXXEBA	
171	0121L00285 ID BLOWER PLATE 2 BRNR (M1, M2, M3, M4, M5, M6, M7, M8, M9, M10, M11)	M11 - CPG0360454BXXXBA	
171	0121L00284 ID BLOWER PLATE 4 BRNR (M12, M13, M14, M15, M16, M17, M18, M19, M20, M21, M22, M23, M24, M25, M26, M27, M28, M29)	M12 - CPG0360903BAACBA	
181	0154L00018 ID BLOWER PLATE GASKET 4 BRNR	M13 - CPG0360903BASMB	
NS	0163L00072 SCREEN-FLUE	M14 - CPG0360903BHAXBA	
Image 2:		M15 - CPG0360903BHXJBA	
12	PCBAG123 IGNITION BOARD, DSI INTEGRATED	M16 - CPG0360903BHXNBA	
22	0130M00138 TRANSFORMER 208/230, 24V (M1, M2, M3, M4, M5, M6, M12, M13, M14, M15, M16, M17, M18, M19, M20, M21, M22, M23, M24)	M17 - CPG0360903BHXZBA	
22	B1141663 TRANSFORMER 460V TO 230V, 150 VA (M7, M8, M9, M10, M11, M25, M26, M27, M28)	M18 - CPG0360903BJSBBA	
22	0130M00148 TRANSFORMER 575V to 24V, 75VA (M29)	M19 - CPG0360903BXJXBA	
32	0130M00025 24V RELAY	M20 - CPG0360903BXSXBA	
42	CONT3P025024V CONTACTOR 25 AMP, 3P, 24V (M7, M8, M9, M10, M11, M25, M26, M27, M28, M29)	M21 - CPG0360903BXXBBA	
42	CONT3P030024V CONTACTOR 30 AMP, 3P, 24V (M1, M2, M3, M4, M5, M6, M12, M13, M14, M15, M16, M17, M18, M19, M20, M21, M22, M23, M24)	M22 - CPG0360903BXXXBA	
		M23 - CPG0360903HACMBA	
		M24 - CPG0360903HJCYBA	
		M25 - CPG0360904BHXUBA	
		M26 - CPG0360904BXJXBA	
		M27 - CPG0360904BXSXBA	
		M28 - CPG0360904BXXXBA	
		M29 - CPG0360907BASFB	

ACCESSORY PARTS LIST

Accessory Parts

Ref. Part No:	Description:	Ref. Part No:	Description:
Image 1:			
NS 0130M00065	CIRCUIT BREAKER, CONVENIENCE OUTLET (M1, M4, M9, M13, M16, M18, M21, M23)		
NS 0270L00107	CONVENIENCE OUTLET ASSEMBLY (M6, M15, M25, M29)		
NS DSC060A38Y001FI	DISCONNECT MODULE ASSY (M6, M14, M15, M16, M17, M18, M24, M25)		
NS DNECONGS3672B	ECONOMIZER, DOWNFLOW GAS/AC (M1, M12, M13, M18, M23, M24, M29)		
NS HAILGD03FI	HAIL GUARD ASSEMBLY (M12, M14, M23, M24)		
NS LAKT01	LOW AMBIENT KIT (M1, M12, M13, M23, M24, M25, M29)		
NS SDRKT01FI3	SMOKE DETECTOR ASSEMBLY (M6, M16, M25)		
NS SDSKT01FI	SMOKE DETECTOR ASSEMBLY (M10)		
NS SDSRKT01FI3	SMOKE DETECTOR ASSEMBLY (M15, M17, M24)		
NS 0130M00061	TRANSFORMER, CONVENIENCE OUTLET (M1, M4, M9, M13, M16, M18, M21, M23)		

Expanded Model Nomenclature

- M1 - CPG0360453BASMB
- M2 - CPG0360453BXJBA
- M3 - CPG0360453BXSXBA
- M4 - CPG0360453BXXBBA
- M5 - CPG0360453BXXXBA
- M6 - CPG0360453HHXGBA
- M7 - CPG0360454BXJBA
- M8 - CPG0360454BXSXBA
- M9 - CPG0360454BXXBBA
- M10 - CPG0360454BXXEBA
- M11 - CPG0360454BXXXBA
- M12 - CPG0360903BAACBA
- M13 - CPG0360903BASMB
- M14 - CPG0360903BHAXBA
- M15 - CPG0360903BHXJBA
- M16 - CPG0360903BHXNBA
- M17 - CPG0360903BHXZBA
- M18 - CPG0360903BJSBBA
- M19 - CPG0360903BXJBA
- M20 - CPG0360903BXSXBA
- M21 - CPG0360903BXXBBA
- M22 - CPG0360903BXXXBA
- M23 - CPG0360903HACMBA
- M24 - CPG0360903HJCYBA
- M25 - CPG0360904BHXUBA
- M26 - CPG0360904BXJBA
- M27 - CPG0360904BXSXBA
- M28 - CPG0360904BXXXBA
- M29 - CPG0360907BASFB