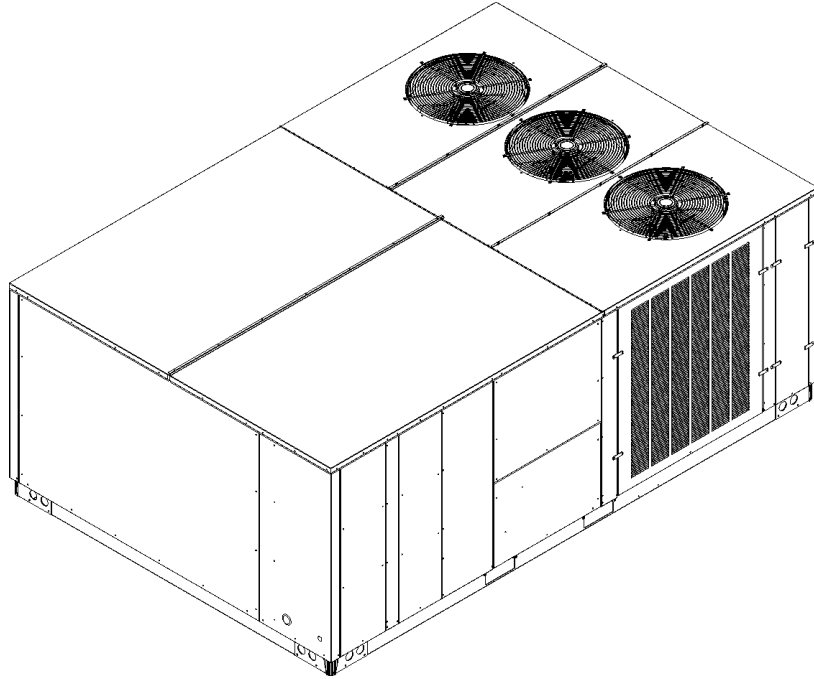


REPAIR PARTS

Commercial 20 Ton Package Coolers

CPC240XXX3BXXDBB
CPC240XXX3BXXXBA
CPC240XXX3BXXXBB
CPC240XXX4BAXXBA
CPC240XXX4BAXXBB
CPC240XXX4BXXXBA
CPC240XXX4BXXXBB
CPC240XXX7BXXXBA
CPC240XXX7BXXXBB



This manual is to be used by qualified technicians only.

This manual replaces RP-698A.

© 2012-2013 Goodman Manufacturing Company, L.P. ♦ 5151 San Felipe, Suite 500 ♦ Houston, TX 77056

Important Information

Index

Functional Parts List	3
Illustration and Parts	4 - 21

Views shown are for parts illustrations only, not servicing procedures.

Rev. A: addition of models with two isolation relays & models with FIOP's (factory installed options).
Rev B: Addition of models with various FIOP's.

Text Codes:

AR - As Required

NA - Not Available

NS - Not Shown

00000000 - See Note

QTY - Quantity Example (QTY 3) (If Quantity not shown, Quantity = 1)

M - Model Example (M1) (If M Code not shown, then part is used on all Models)

Expanded Model Nomenclature:

Example M1 - Model#1 M2 - Model#2 M3 - Model#3

Goodman Manufacturing Company, L.P. is not responsible for personal injury or property damage resulting from improper service. Review all service information before beginning repairs.

Warranty service must be performed by an authorized technician, using authorized factory parts. If service is required after the warranty expires, Goodman Manufacturing Company, L.P. also recommends contacting an authorized technician and using authorized factory parts.

Goodman Manufacturing Company, L.P. reserves the right to discontinue, or change at any time, specifications or designs without notice or without incurring obligations.

For assistance within the U.S.A. contact:
Consumer Affairs Department
Goodman Manufacturing Company, L.P.
7401 Security Way
Houston, Texas 77040
877-254-4729-Telephone
713-863-2382-Facsimile

For assistance outside the U.S.A. contact:
International Division
Goodman Manufacturing Company, L.P.
7401 Security Way
Houston, Texas 77040
713-861-2500-Telephone
713-863-2382-Facsimile

Functional Parts

Part

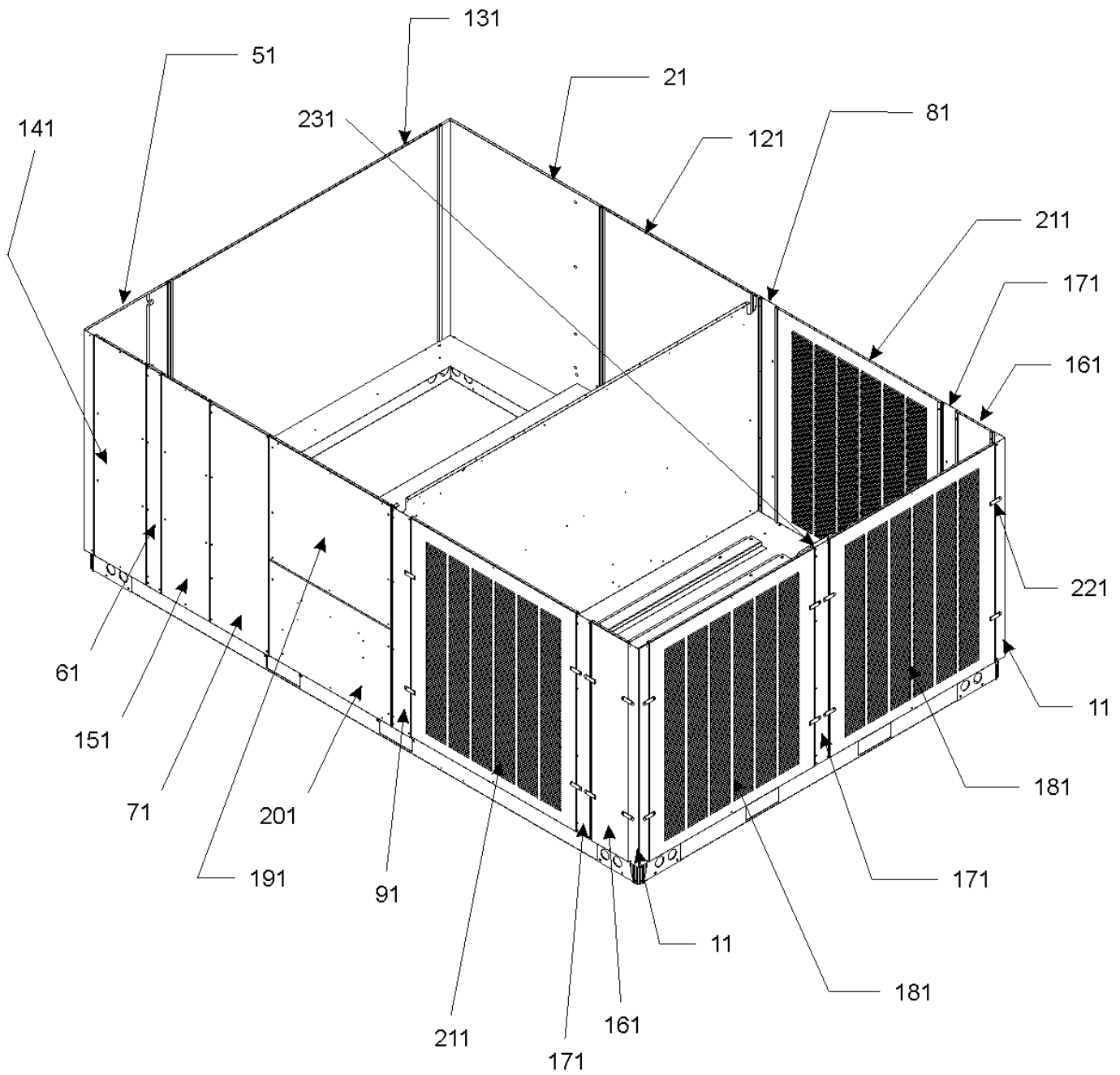
No: Description:

B1370751	24V RELAY (M1, M3, M5, M7, M9)
0130M00025	24V RELAY (QTY 2)
04-78499	BLOWER WHEEL (QTY 2)
CAP050000370VA	CAPACITOR 5/370V (QTY 3)
ZP120KCETFE155	COMPRESSOR 121,000, 575/60/3 (M8, M9)
ZP120KCETF5250	COMPRESSOR 123,000, 200/230/60/3 (M1, M2, M3)
ZP120KCETFD155	COMPRESSOR 123,000, 460/60/3 (M4, M5, M6, M7)
0131M00008P	COND MOTOR 1/3 HP, 1 SP, 6 PL (M1, M2, M3)
0131M00179	COND MOTOR 1/3 HP, 6 PL, 575V (M8, M9)
B13400249	COND MOTOR, 1\3, 460V (M4, M5, M6, M7)
CONT3P050024V	CONT, 3 POLE, 50 AMP, 24 VAC (M1, M2, M3)
CONT3P030024V	CONTACTOR 30 AMP, 3P, 24V
0130L00020	CRANK CASE HEATER, 90W, 240V (M1, M2, M3)
0130L00021	CRANK CASE HEATER, 90W, 480V (M4, M5, M6, M7)
0130L00022	CRANK CASE HEATER, 90W, 575V (M8, M9)
PCBFM131	ELECTRONIC BLOWER TIME DELAY RELAY
10625733	FAN BLADE 22" ALUM CCW (QTY 3)
0130M00074	HIGH PRESSURE SWITCH
0130M00087	LOW PRESSURE SWITCH
0131L00007	MOTOR-5 HP BELT DRIVE 575V 3P (M8, M9)
0131M00274	MOTOR-5.0 HP (M1, M2, M3, M4, M5, M6, M7)
0164L00005	NOTCHED FAN BELT BX46
16330-3	POWER BLOCK
B1141653	TRANSFORMER 480V, 75VA, RESETTABLE (M4, M5, M6, M7)
B1141672	TRANSFORMER 480V, 75VA, RESETTABLE (M1, M2, M3)
0130M00045	TRANSFORMER 575/24V (M8, M9)
0151L00011	VALVE, TXV R-410A
0151L00011	VALVE, TXV R-410A

Expanded Model Nomenclature

- | |
|-----------------------|
| M1 - CPC240XXX3BXXDBB |
| M2 - CPC240XXX3BXXBBA |
| M3 - CPC240XXX3BXXBB |
| M4 - CPC240XXX4BAXXBA |
| M5 - CPC240XXX4BAXXBB |
| M6 - CPC240XXX4BXXBBA |
| M7 - CPC240XXX4BXXBB |
| M8 - CPC240XXX7BXXBBA |
| M9 - CPC240XXX7BXXBB |

Cabinet Assembly



Cabinet Assembly

Ref. Part No: No:	Description:	Ref. Part No: No:	Description:
-------------------	--------------	-------------------	--------------

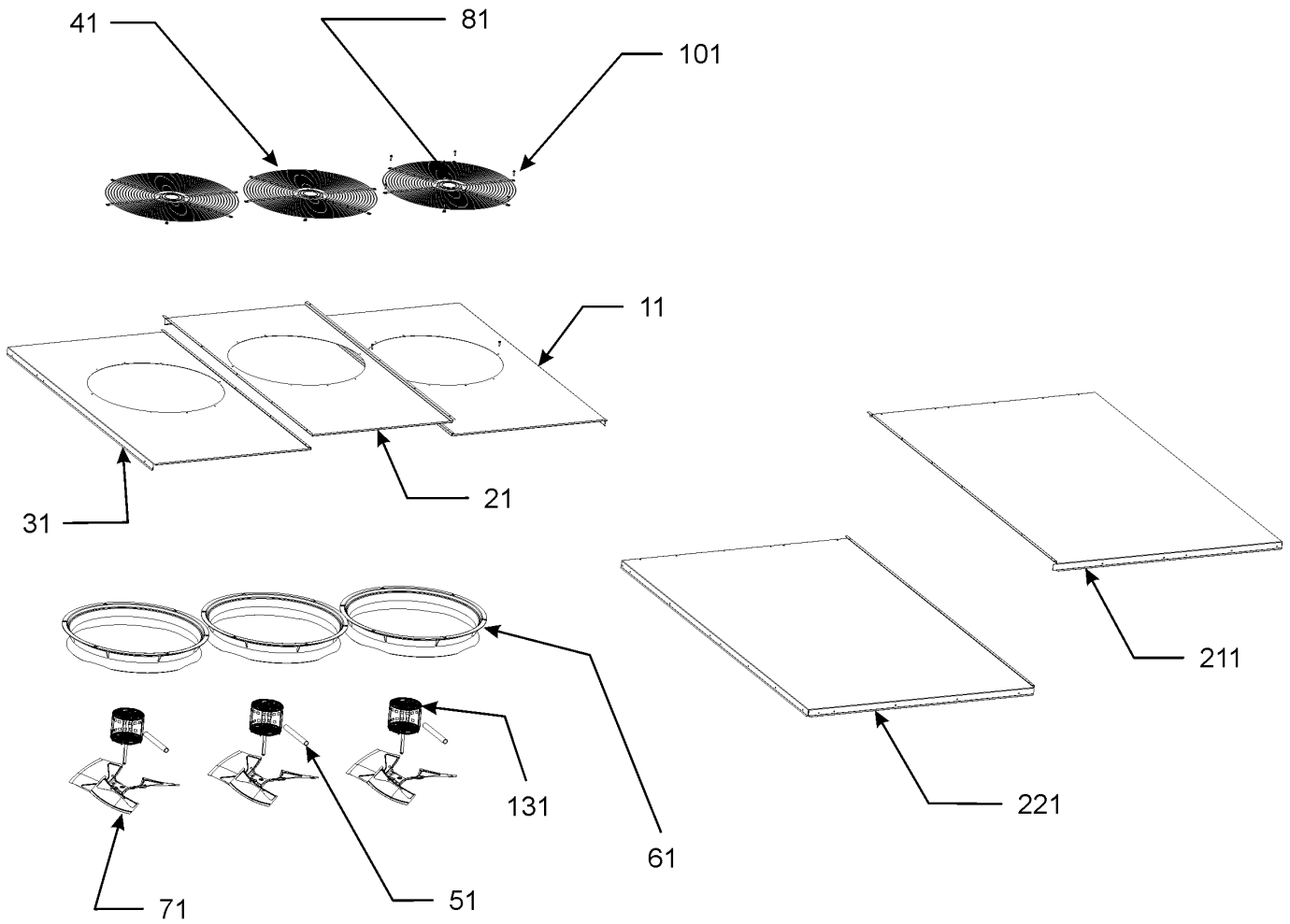
Image 1:

11	0121L00440DG	CORNER POST (QTY 2)
21	0270L00196	INSULATED RETURN CORNER PANEL
51	0270L00219	INSULATED ACCESSORY POST ASSY
61	0270L00205	INSULATED FILTER POST ASSY
71	0270L00258	INSULATED BLOWER POST ASSY (M4, M5)
81	0121L00903DG	PNT, POST-PARTITION, EVAP SIDE
91	0121L00906DG	PNT, POST-PARTITION, (COOL) HT
121	0270L00194	INSULATED BLOWER DOOR ASSY
131	0270L00250	INSULATED ACCESSORY PANEL ASSY
141	0121L00687DG	CONTROL DOOR
151	0270L00198	INSULATED FILTER DOOR ASSY
161	0121L00907DG	PNT, PANEL-CONDENSER SIDE (QTY 2)
171	0121L00905DG	PNT, POST-COND PANELS (QTY 3)
181	0121L00537DG	LOUVER PANEL (QTY 2)
191	0270L00259	INSULATED BLOWER DOOR ASSY, HT SIDE
201	0270L00257	INSULATION ELEC HT DOOR ASSY
211	0152L00000	GRILLE-CONDENSER (QTY 2)
221	0121L00476DG	DOOR TURNBUCKLE (QTY 16)
231	0121L00580	CONDENSER POST BRACKET, CENTER
NS	M0204317	SCREW-MACH (QTY 16)

Expanded Model Nomenclature

M1 - CPC240XXX3BXXDBB
M2 - CPC240XXX3BXXXBA
M3 - CPC240XXX3BXXXBB
M4 - CPC240XXX4BAXXBA
M5 - CPC240XXX4BAXXBB
M6 - CPC240XXX4BXXXBA
M7 - CPC240XXX4BXXXBB
M8 - CPC240XXX7BXXXBA
M9 - CPC240XXX7BXXXBB

Top Panel Assembly



Top Panel Assembly

Ref. Part No: No:	Description:	Ref. Part No: No:	Description:
-------------------	--------------	-------------------	--------------

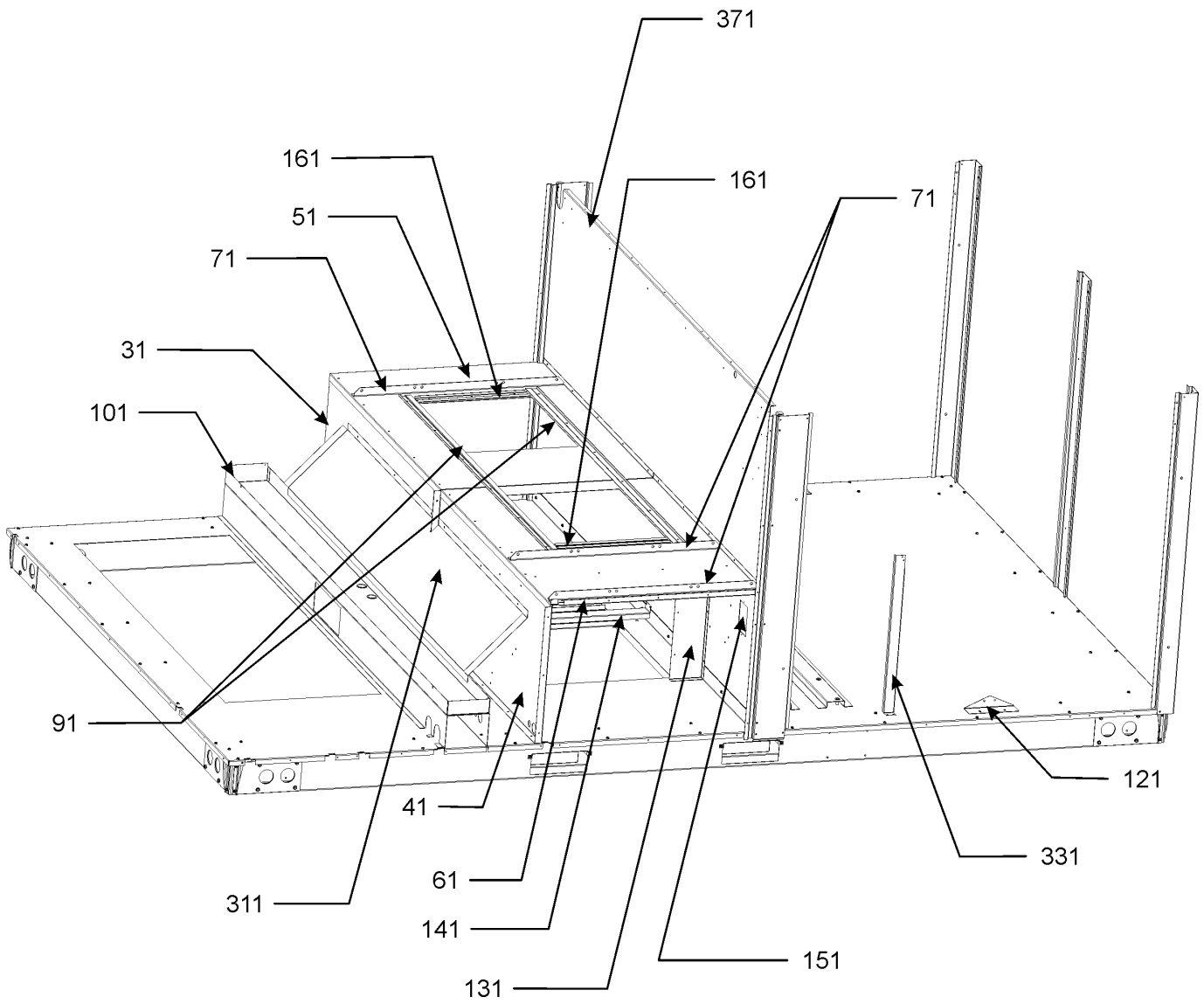
Image 1:

11	0121L01038DG	PNT, TOP-FAN, CONTROL SIDE
21	0121L01039DG	PNT, TOP-FAN, CENTER
31	0121L01040DG	PNT, TOP-FAN, EVAP SIDE
41	0152G00002	FAN GRILLE (QTY 3)
51	17788000083F	PVC CONDUIT 8.25" (QTY 3)
61	0161L00000	VENTURI RING 22" (QTY 3)
71	10625733	FAN BLADE 22" ALUM CCW (QTY 3)
81	0163M00006P	ACORN NUT 5/16 HEX BLACK (QTY 12)
101	0163M00004	SCREW #10X3/4", BLACK (QTY 2)
131	0131M00008P	COND MOTOR 1/3 HP, 1 SP, 6 PL (M1, M2, M3)
131	0131M00179	COND MOTOR 1/3 HP, 6 PL, 575V (M8, M9)
131	B13400249	COND MOTOR, 1/3, 460V (M4, M5, M6, M7)
211	0270L00193	INSULATED TOP ASSY, CONTROL SIDE
221	0270L00210	INSULATED TOP ASSY, EVAP SIDE

Expanded Model Nomenclature

- | |
|-----------------------|
| M1 - CPC240XXX3BXXDBB |
| M2 - CPC240XXX3BXXXBA |
| M3 - CPC240XXX3BXXXBB |
| M4 - CPC240XXX4BAXXBA |
| M5 - CPC240XXX4BAXXBB |
| M6 - CPC240XXX4BXXXBA |
| M7 - CPC240XXX4BXXXBB |
| M8 - CPC240XXX7BXXXBA |
| M9 - CPC240XXX7BXXXBB |

Partition Assembly



Partition Assembly

Ref. Part No:	No:	Description:	Ref. Part No:	No:	Description:
---------------	-----	--------------	---------------	-----	--------------

Image 1:

31	0121L00927	DECK-SIDE, DUCT END
41	0121L00684	BLOWER DECK SIDE, HT END
51	0121L00682	BLOWER DECK, EVAP SIDE
61	0121L00683	BLOWER DECK, MOTOR SIDE
71	0121L00714	MOTOR MOUNT ANGLE (QTY 3)
91	0121L00478	BLOWER DECK RAIL (QTY 2)
101	0270L00226DG	DRAIN PAN
121	0121L00913	BRACKET-COND/BASEPAN (QTY 2)
131	0121L00591	ELECTRIC HEAT MOUNTING PLATE
141	0121L00592	ELECTRIC HEAT SUPPORT
151	0121L00593	FLUE HOLE COVER
161	0121L00481	BLOWER RAIL (QTY 2)
311	0121L00736	SHIELD-BLOWOFF
331	0121L00901	BRACE-COND COILS (QTY 2)
371	0121L00825	PARTITION PANEL

Expanded Model Nomenclature

M1 - CPC240XXX3BXXDBB
M2 - CPC240XXX3BXXXBA
M3 - CPC240XXX3BXXXBB
M4 - CPC240XXX4BAXXBA
M5 - CPC240XXX4BAXXBB
M6 - CPC240XXX4BXXXBA
M7 - CPC240XXX4BXXXBB
M8 - CPC240XXX7BXXXBA
M9 - CPC240XXX7BXXXBB

Basepan / Compressor / Tubing Assembly

Image 1

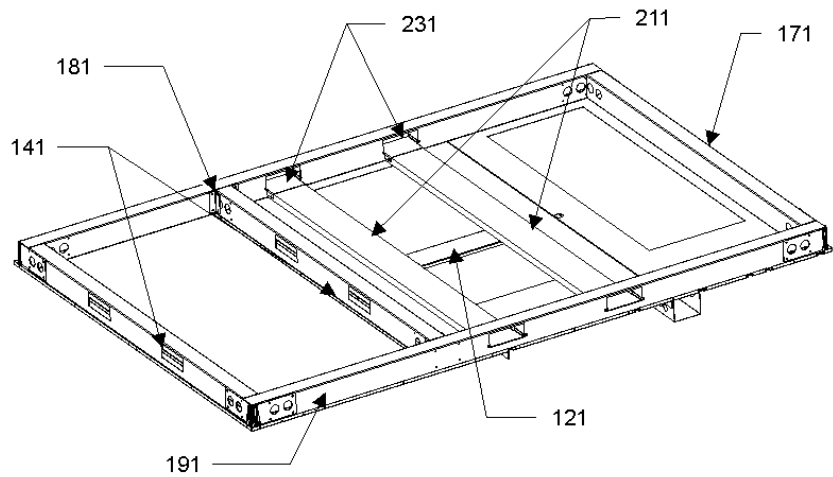
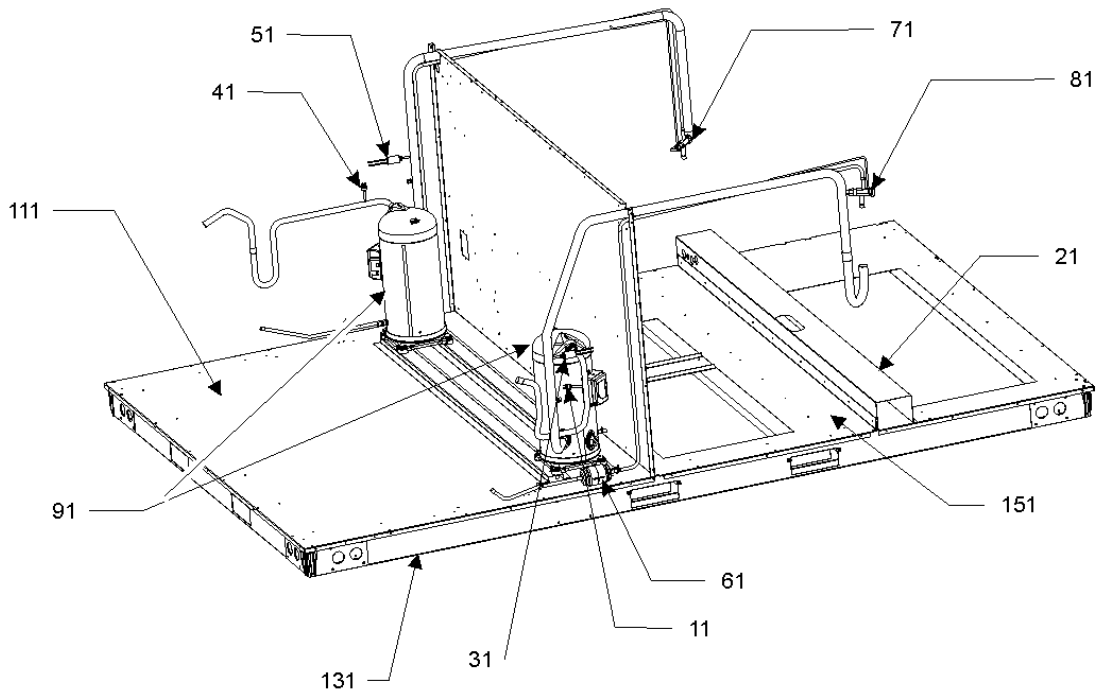


Image 2

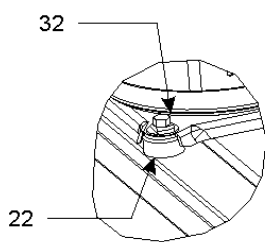
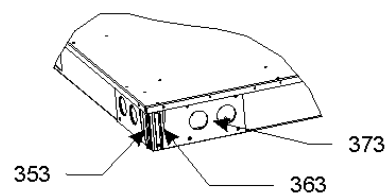


Image 3



Basepan / Compressor / Tubing Assembly

Ref. Part No: No:	Description:	Ref. Part No: No:	Description:
-------------------	--------------	-------------------	--------------

Image 1:

11	0130M00074	HIGH PRESSURE SWITCH
21	0270L00189	BASEPAN WELDMENT, RETURN SIDE
31	0130M00087	LOW PRESSURE SWITCH
41	0130M00074	HIGH PRESSURE SWITCH
51	0130M00087	LOW PRESSURE SWITCH
61	0151M00012	BI-FLOW FILTER DRIER
71	0151L00011	VALVE, TXV R-410A
81	0151L00011	VALVE, TXV R-410A
91	ZP120KCETFE155	COMPRESSOR 121,000, 575/60/3 (M8, M9)
91	ZP120KCETF5250	COMPRESSOR 123,000, 200/230/60/3 (M1, M2, M3)
91	ZP120KCETFD155	COMPRESSOR 123,000, 460/60/3 (M4, M5, M6, M7)
111	0270L00336	BASEPAN WELD, OUTDOOR
121	0121L00605	FORK BOARD PLATE
131	0121L00720	SIDE RAIL
141	0121L00721	BASE RAIL, CONDENSER END (QTY 2)
151	0121L01032	BASEPAN, SUPPLY
171	0121L00722	BASE RAIL, ACCESSORY END
181	0121L00625	COMPRESSOR RAIL BRACKET (QTY 4)
191	0121L00719	CONTROL SIDE BASE RAIL
211	0141L00029	FORK BOARD (QTY 2)
231	0121L00724	FORK BOARD BRACKET (QTY 4)
NS	0163M00175	CAP WITH O-RING (QTY 4)
NS	0159L00044	COMPRESSOR SCROLL HARNESS (M4, M5, M6, M7, M8, M9)
NS	0159L00045	COMPRESSOR SCROLL HARNESS (M4, M5, M6, M7, M8, M9)
NS	0159L00048	COMPRESSOR SCROLL HARNESS (M1, M2, M3)
NS	0159L00049	COMPRESSOR SCROLL HARNESS (M1, M2, M3)
NS	0130L00020	CRANK CASE HEATER, 90W, 240V (M1, M2, M3)
NS	0130L00021	CRANK CASE HEATER, 90W, 480V (M4, M5, M6, M7)
NS	0130L00022	CRANK CASE HEATER, 90W, 575V (M8, M9)

Expanded Model Nomenclature

M1 - CPC240XXX3BXXDBB
M2 - CPC240XXX3BXXXBA
M3 - CPC240XXX3BXXXBB
M4 - CPC240XXX4BAXXBA
M5 - CPC240XXX4BAXXBB
M6 - CPC240XXX4BXXXBA
M7 - CPC240XXX4BXXXBB
M8 - CPC240XXX7BXXXBA
M9 - CPC240XXX7BXXXBB

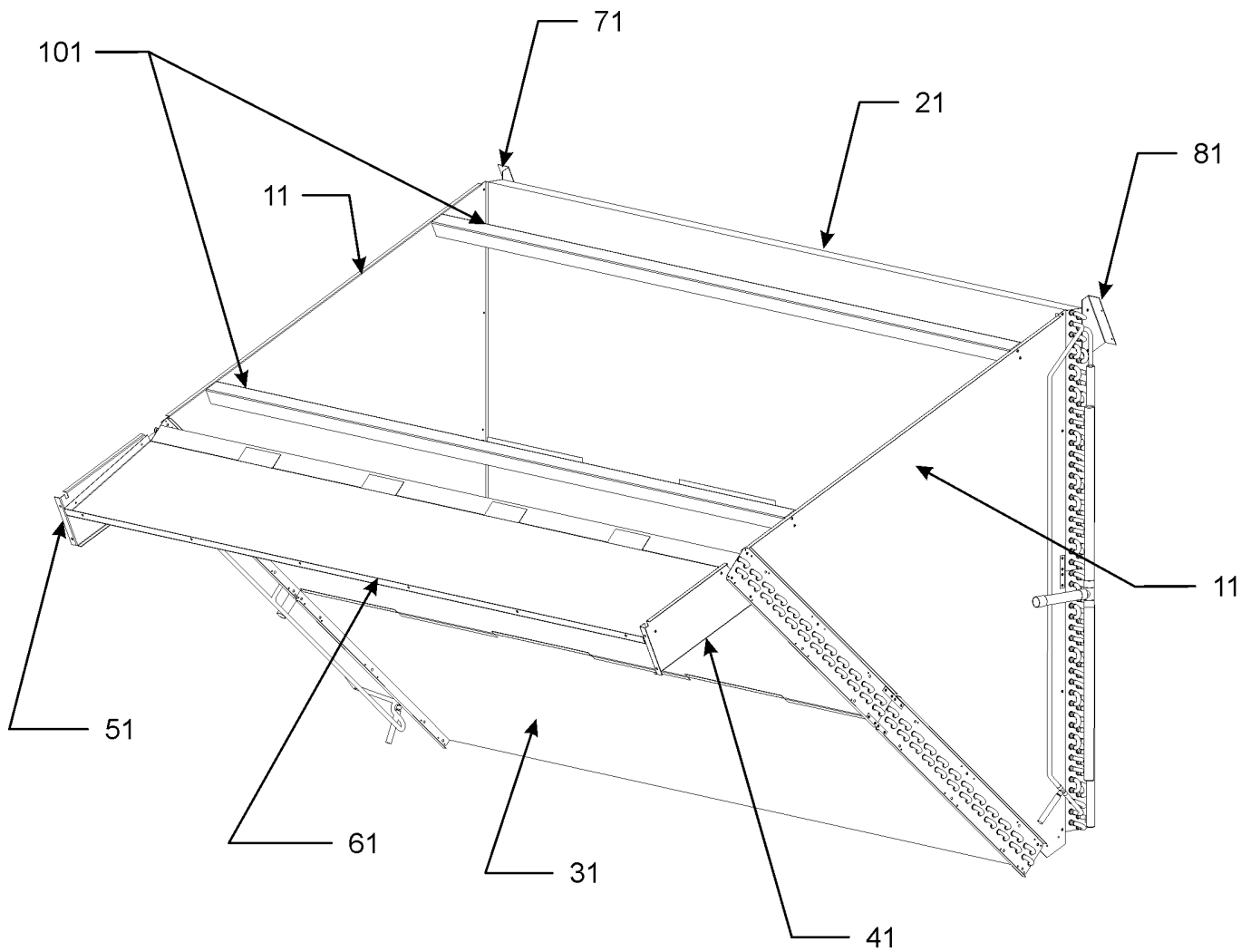
Image 2:

22	0164M00018	COMPRESSOR GROMMET (QTY 8)
32	B1393740	COMPRESSOR BOLT & SLEEVE (QTY 8)

Image 3:

353	0121L00616	RAIL BRACE ANGLE, RIGHT (QTY 4)
363	0121L00617	RAIL BRACE ANGLE, LEFT (QTY 4)
373	0121L00723	BASE RAIL CORNER BRACE (QTY 4)

Condenser Assembly



Condenser Assembly

Ref. Part No:	No:	Description:	Ref. Part No:	No:	Description:
---------------	-----	--------------	---------------	-----	--------------

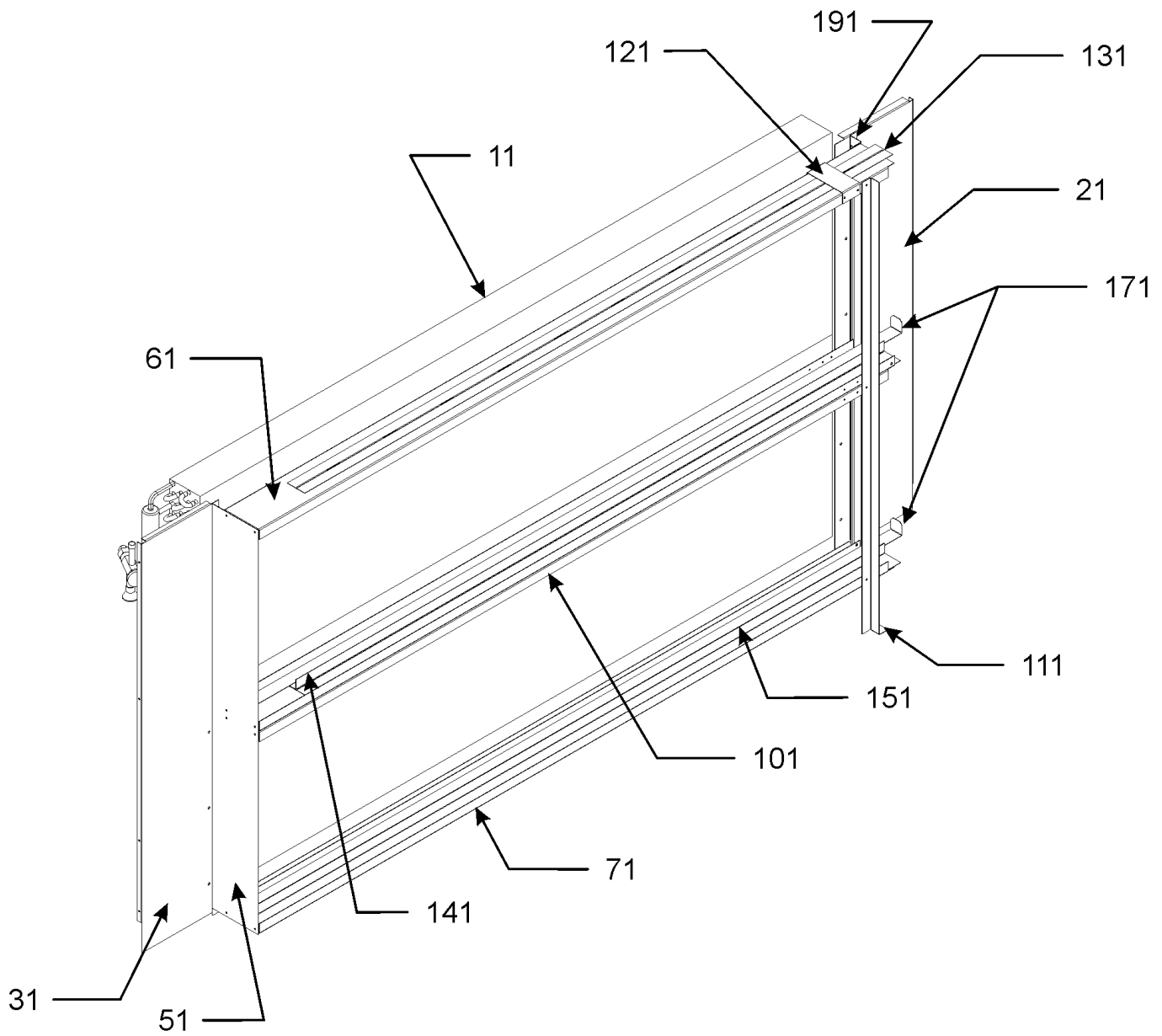
Image 1:

11	0121L00854	END COVER-CONDENSER (QTY 2)
21	0201L00151	CONDENSER COIL ASSY C1
31	0201L00152	CONDENSER COIL ASSY C2
41	0121L00861	BRACKET-CONDENSER END
51	0121L00862	BRACKET-CONDENSER END
61	0121L00572	CONDENSER BLOCKOFF, INSIDE TOP
71	0121L00864	BRACKET-COND/POST
81	0121L00863	BRACKET-COND/POST
101	0121L01037	ANGLE, TOP BRACE (QTY 2)

Expanded Model Nomenclature

M1 - CPC240XXX3BXXDBB
M2 - CPC240XXX3BXXXBA
M3 - CPC240XXX3BXXXBB
M4 - CPC240XXX4BAXXBA
M5 - CPC240XXX4BAXXBB
M6 - CPC240XXX4BXXXBA
M7 - CPC240XXX4BXXXBB
M8 - CPC240XXX7BXXXBA
M9 - CPC240XXX7BXXXBB

Evaporator Assembly



Evaporator Assembly

Ref. Part No:	No:	Description:	Ref. Part No:	No:	Description:
<i>Image 1:</i>					
11	0202L00047	EVAPORATOR COIL ASSY (QTY 2)			
21	0121L00698	EVAPORATOR BLOCKOFF PANEL			
31	0121L00848	PANEL-EVAPORATOR, SMOKE DET			
51	0121L00933	ANGLE-FILTER, LEFT VERTICAL			
61	0121L00629	TOP FILTER RACK (QTY 2)			
71	0121L00701	BOTTOM FILTER RACK			
101	0270L00230	CENTER FILTER RACK			
111	0121L00632	FILTER SUPPORT ANGLE			
121	0121L00634	TOP ANGLE BRACKET			
131	0270L00271	WELDMENT-TOP SLIDER			
141	0270L00232	CENTER SLIDER			
151	0270L00233	BOTTOM SLIDER			
171	0121L00640	FILTER PULL (QTY 2)			
191	0121L00702	RIGHT SIDE BLOCKOFF, FILTER RACK			
NS	0121L00703	BOTTOM BLOCKOFF, FILTER RACK			
NS	B1369611	FILTER 20 X 25 X 2 (QTY 6)			

Expanded Model Nomenclature

M1 - CPC240XXX3BXXDBB
M2 - CPC240XXX3BXXXBA
M3 - CPC240XXX3BXXXBB
M4 - CPC240XXX4BAXXBA
M5 - CPC240XXX4BAXXBB
M6 - CPC240XXX4BXXXBA
M7 - CPC240XXX4BXXXBB
M8 - CPC240XXX7BXXXBA
M9 - CPC240XXX7BXXXBB

Blower Assembly

Image 1

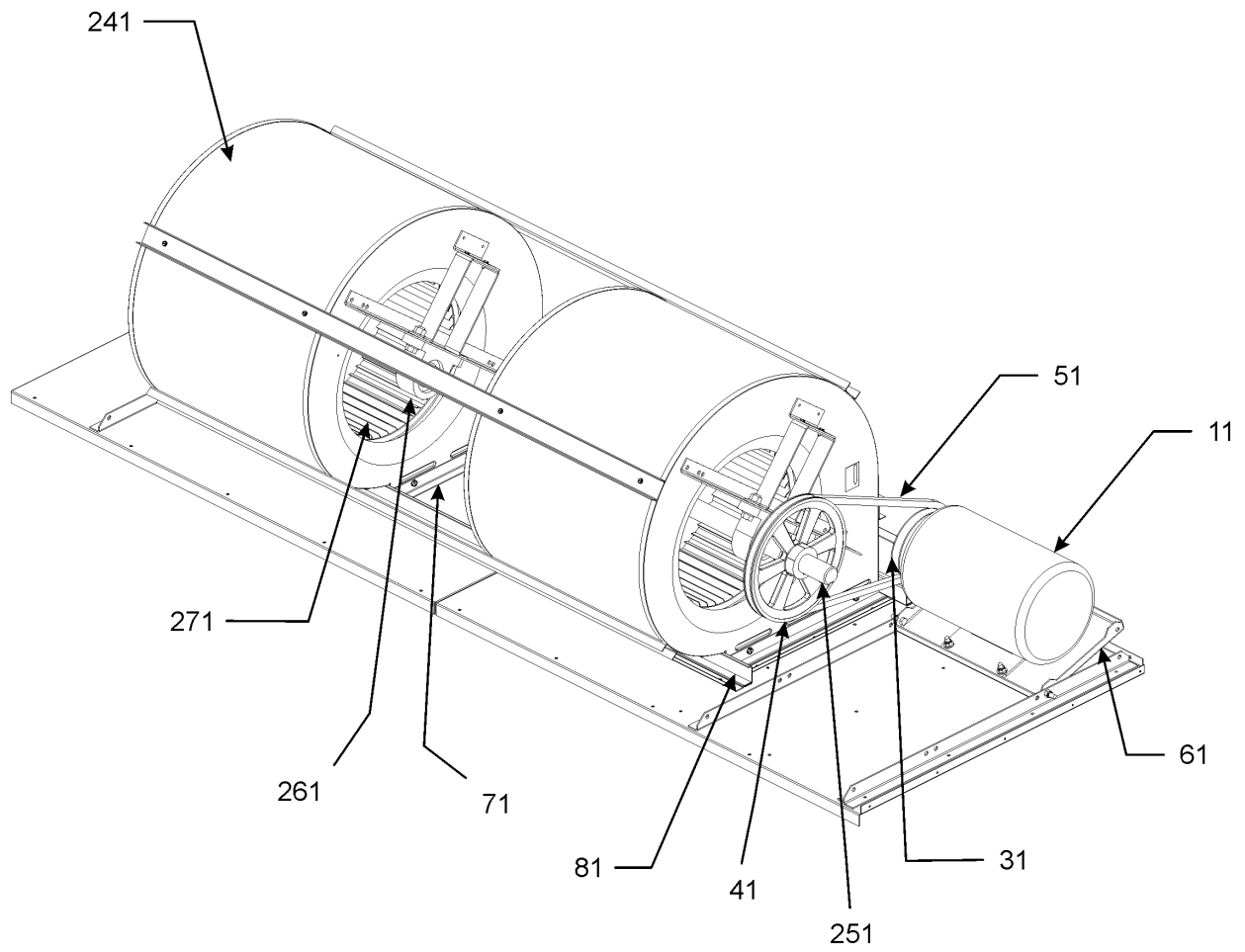
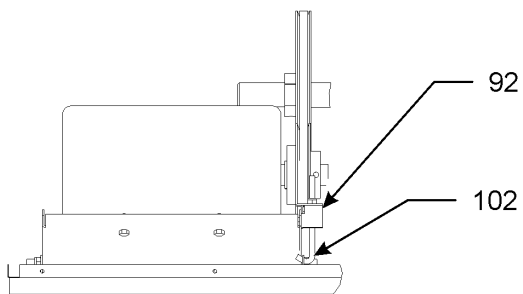


Image 2



Blower Assembly

Ref. Part No: No:	Description:	Ref. Part No: No:	Description:
-------------------	--------------	-------------------	--------------

Image 1:

11	0131L00007	MOTOR-5 HP BELT DRIVE 575V 3P (M8, M9)
11	0131M00274	MOTOR-5.0 HP (M1, M2, M3, M4, M5, M6, M7)
31	0163L00037	VARIABLE PITCH SHEAVE
41	0163L00036	FIXED SHEAVE
51	0164L00005	NOTCHED FAN BELT BX46
61	0121L00555	MOTOR BASE PLATE
71	0121L00482	BLOWER SIDE ANGLE (QTY 4)
81	0121L00479	BLOWER RAIL (QTY 2)
241	04-01542	BLOWER HOUSING ASSY (QTY 2)
251	04-11552	BLOWER SHAFT
261	04-02197	BLOWER BEARING & FRAME ASSY (QTY 2)
271	04-78499	BLOWER WHEEL (QTY 2)

Image 2:

92	0121L00557	MOTOR ADJUST BRACKET
102	0163L00034	HOOKED BOLT

Expanded Model Nomenclature

M1 - CPC240XXX3BXXDBB
M2 - CPC240XXX3BXXXBA
M3 - CPC240XXX3BXXXBB
M4 - CPC240XXX4BAXXBA
M5 - CPC240XXX4BAXXBB
M6 - CPC240XXX4BXXXBA
M7 - CPC240XXX4BXXXBB
M8 - CPC240XXX7BXXXBA
M9 - CPC240XXX7BXXXBB

Control Assembly

Image 1

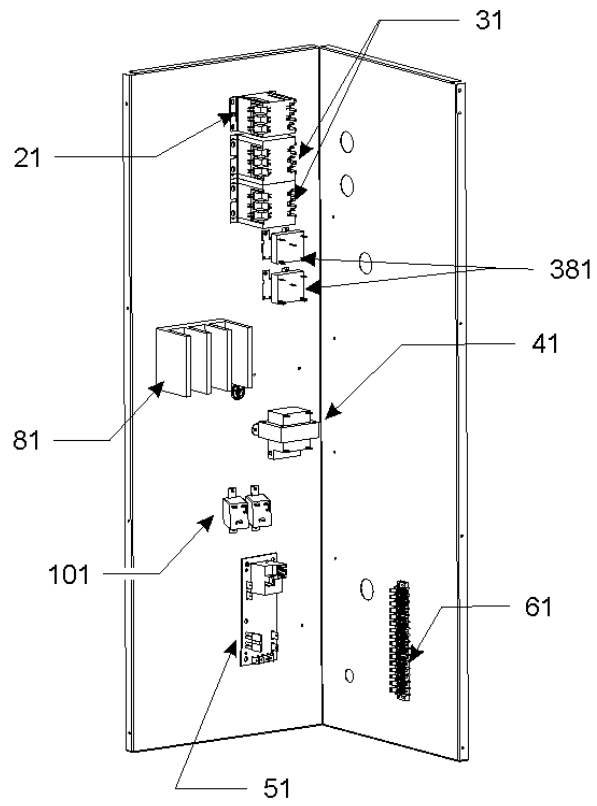
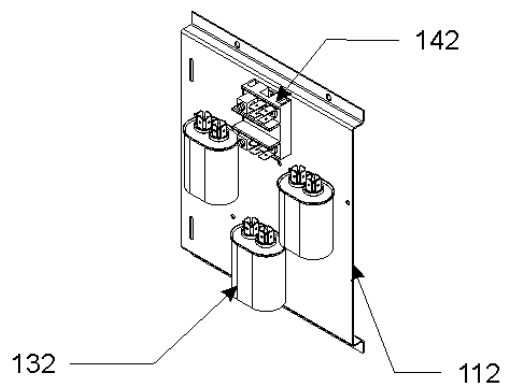


Image 2



Control Assembly

Ref. Part No:	Ref. Part No:	Description:	Description:
---------------	---------------	--------------	--------------

Image 1:

21	CONT3P050024V	CONT, 3 POLE, 50 AMP, 24 VAC (M1, M2, M3)
31	CONT3P030024V	CONTACTOR 30 AMP, 3P, 24V
41	B1141653	TRANSFORMER 480V, 75VA, RESETTABLE (M4, M5, M6, M7)
41	B1141672	TRANSFORMER 480V, 75VA, RESETTABLE (M1, M2, M3)
41	0130M00045	TRANSFORMER 575/24V (M8, M9)
51	PCBFM131	ELECTRONIC BLOWER TIME DELAY RELAY
61	0130M00038	TERMINAL BOARD
81	16330-3	POWER BLOCK
101	B1370751	24V RELAY (M1, M3, M5, M7, M9)
381	0130M00025	24V RELAY (QTY 2)
NS	0259L00118	CONDENSER FAN HARNESS, LONG
NS	0159L00052	HARNESS JUMPER LONG
NS	0259L00106	HARNESS, CONTROL AC
NS	0259L00107	HARNESS, E-HEAT
NS	0159L00051	HARNESS, JUMPER SHORT
NS	0259L00101	MOTOR HARNESS-BELT DRIVE

Image 2:

112	0121L00585	CAPACITOR MOUNTING PLATE
132	CAP050000370VA	CAPACITOR 5/370V (QTY 3)
142	B1368250	TERMINAL BLOCK (HIGH VOLTAGE)
NS	0121L00586	CAPACITOR COVER
NS	20520901	CAPACITOR STRAP (QTY 3)
NS	0259L00117	CONDENSER FAN HARNESS, MEDIUM
NS	0259L00116	CONDENSER FAN HARNESS, SHORT
NS	0259L00105	HARNESS, ECONOMIZER AC

Expanded Model Nomenclature

M1 - CPC240XXX3BXXDBB
M2 - CPC240XXX3BXXXBA
M3 - CPC240XXX3BXXXBB
M4 - CPC240XXX4BAXXBA
M5 - CPC240XXX4BAXXBB
M6 - CPC240XXX4BXXXBA
M7 - CPC240XXX4BXXXBB
M8 - CPC240XXX7BXXXBA
M9 - CPC240XXX7BXXXBB

Accessory Parts List

Accessory Parts

Ref. Part No:	Description:	Ref. Part No:	Description:
---------------	--------------	---------------	--------------

Image 1:

NS DNECONGS180240 ECONOMIZER DOWNFLOW GAS/AC (M4, M5)

NS SDRKT01FI15T20 SMOKE DETECTOR ASSEMBLY (M1)

Expanded Model Nomenclature

- | |
|-----------------------|
| M1 - CPC240XXX3BXXDBB |
| M2 - CPC240XXX3BXXXBA |
| M3 - CPC240XXX3BXXXBB |
| M4 - CPC240XXX4BAXXBA |
| M5 - CPC240XXX4BAXXBB |
| M6 - CPC240XXX4BXXXBA |
| M7 - CPC240XXX4BXXXBB |
| M8 - CPC240XXX7BXXXBA |
| M9 - CPC240XXX7BXXXBB |