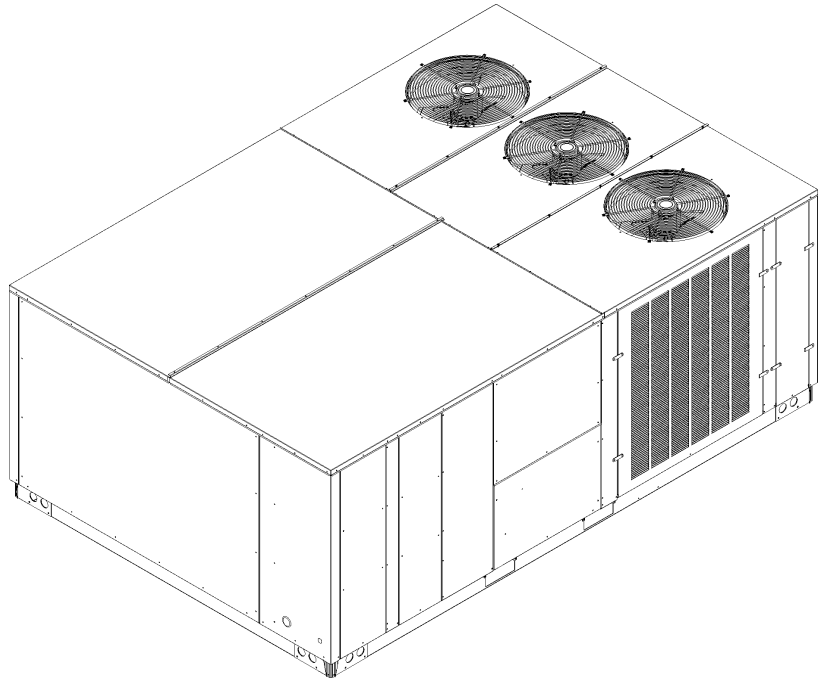


# REPAIR PARTS

---

## Commercial 15 Ton Package Cooling Units

CPC1810304BXXOBB  
CPC1810304HAXBBA  
CPC1810304HAXBBB  
CPC1810304HXXBBA  
CPC1810304HXXBBB  
CPC1810307BXXXBA  
CPC1810307BXXXBB  
CPC181XXX3BXXXBA  
CPC181XXX3BXXXBB  
CPC181XXX4BAXXBA  
CPC181XXX4BAXXBB  
CPC181XXX4BXXXBA  
CPC181XXX4BXXXBB  
CPC181XXX7BXXXBA  
CPC181XXX7BXXXBB



This manual is to be used by qualified technicians only.

This manual replaces RP-686C.

© 2012-2013, 2016 Goodman Manufacturing Company, L.P. ♦ 5151 San Felipe St., Suite 500 ♦ Houston, TX 77056

# Important Information

---

## Index

Functional Parts List .....	3
Illustration and Parts .....	4 - 21

*Views shown are for parts illustrations only, not servicing procedures*

### Text Codes:

AR - As Required

NA - Not Available

NS - Not Shown

00000000 - See Note

QTY - Quantity Example (QTY 3) (If Quantity not shown, Quantity = 1)

M - Model Example (M1) (If M Code not shown, then part is used on all Models)

### Expanded Model Nomenclature:

Example M1 - Model#1 M2 - Model#2 M3 - Model#3
---

Goodman Manufacturing Company, L.P. is not responsible for personal injury or property damage resulting from improper service. Review all service information before beginning repairs.

Warranty service must be performed by an authorized technician, using authorized factory parts. If service is required after the warranty expires, Goodman Manufacturing Company, L.P. also recommends contacting an authorized technician and using authorized factory parts.

Goodman Manufacturing Company, L.P. reserves the right to discontinue, or change at any time, specifications or designs without notice or without incurring obligations.

For assistance within the U.S.A. contact:  
Consumer Affairs Department  
Goodman Manufacturing Company, L.P.  
7401 Security Way  
Houston, Texas 77040  
877-254-4729-Telephone  
713-863-2382-Facsimile

For assistance outside the U.S.A. contact:  
International Division  
Goodman Manufacturing Company, L.P.  
7401 Security Way  
Houston, Texas 77040  
713-861-2500-Telephone  
713-863-2382-Facsimile

# Functional Parts

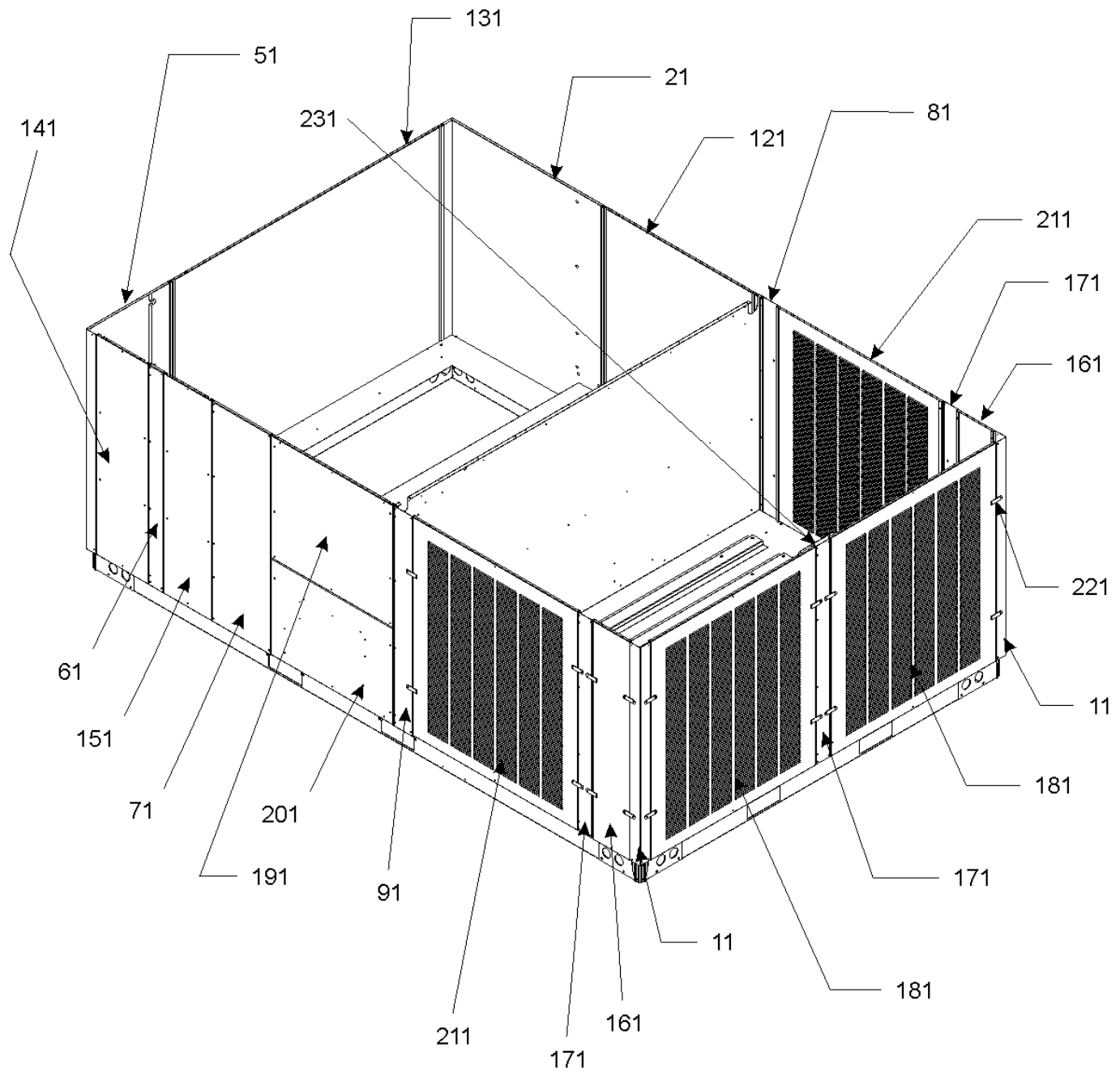
**Part No:**            **Description:**

B1370751	24V RELAY (M2, M4, M6, M8, M9, M11, M13, M15)
0130M00025	24V RELAY (QTY 2)
B3240004	BELT DRIVE MOTOR 2 HP (M1, M2, M3, M4, M5, M6, M9, M10, M11, M12, M13)
0131L00006	BELT DRIVE MOTOR 3 HP 575 V (M7, M8, M14, M15)
03-77419	BLOWER WHEEL (QTY 2)
ZP83KCETF5250	COMPRESSOR 83000, 200/230/60/3 (M1, M2)
ZP83KCETF5250	COMPRESSOR 83000, 200/230/60/3 (M1, M2)
ZP83KCETFD130	COMPRESSOR 83000, 460/60/3 (M3, M4, M5, M6, M9, M10, M11, M12, M13)
ZP83KCETFD130	COMPRESSOR 83000, 460/60/3 (M3, M4, M5, M6, M9, M10, M11, M12, M13)
ZP83KCETFE130	COMPRESSOR 83000, 575/60/3 (M7, M8, M14, M15)
ZP83KCETFE130	COMPRESSOR 83000, 575/60/3 (M7, M8, M14, M15)
0131M00008P	COND MOTOR 1/3 HP, 1 SP, 6 PL (M1, M2)
B13400249	COND MOTOR 1/3 HP, 460V (M3, M4, M5, M6, M9, M10, M11, M12, M13)
0131M00179	COND MOTOR 1/3 HP, 6 PL, 575V (M7, M8, M14, M15)
CONT3P030024V	CONTACTOR 30 AMP, 3P, 24V (M3, M4, M5, M6, M7, M8, M9, M10, M11, M12, M13, M14, M15)
CONT3P040024V	CONTACTOR 40 AMP, 3P, 24V (M1, M2)
0130L00019	CRANK CASE HEATER, 70W, 575V (M7, M8, M14, M15)
0130L00017	CRANK CASE HEATER-70W 240V (M1, M2)
0130L00018	CRANK CASE HEATER-70W, 480V (M3, M4, M5, M6, M9, M10, M11, M12, M13)
0130M00074	CUT-OUT SWITCH, HIGH PRESSURE
0130M00087	CUT-OUT SWITCH, LOW PRESSURE
0164L00006	FAN BELT, NOTCHED
0164L00007	FAN BELT, NOTCHED (M10, M11, M12, M13)
10625733	FAN BLADE 22" ALUM CCW (QTY 3)
B1141653	TRANSFORMER 480V, 75VA, RESETTABLE (M3, M4, M5, M6, M9, M10, M11, M12, M13)
B1141672	TRANSFORMER 480V, 75VA, RESETTABLE (M1, M2)
0130M00045	TRANSFORMER 575/24V (M7, M8, M14, M15)
0151L00011	VALVE, TXV R-410A (QTY 8)

## Expanded Model Nomenclature

M1 - CPC181XXX3BXXXBA
M2 - CPC181XXX3BXXXBB
M3 - CPC181XXX4BAXXBA
M4 - CPC181XXX4BAXXBB
M5 - CPC181XXX4BXXXBA
M6 - CPC181XXX4BXXXBB
M7 - CPC181XXX7BXXXBA
M8 - CPC181XXX7BXXXBB
M9 - CPC1810304BXXOBB
M10 - CPC1810304HAXBBA
M11 - CPC1810304HAXBBB
M12 - CPC1810304HXXBBA
M13 - CPC1810304HXXBBB
M14 - CPC1810307BXXXBA
M15 - CPC1810307BXXXBB

# Cabinet Assembly



# Cabinet Assembly

Ref. Part No: No:	Description:	Ref. Part No: No:	Description:
-------------------	--------------	-------------------	--------------

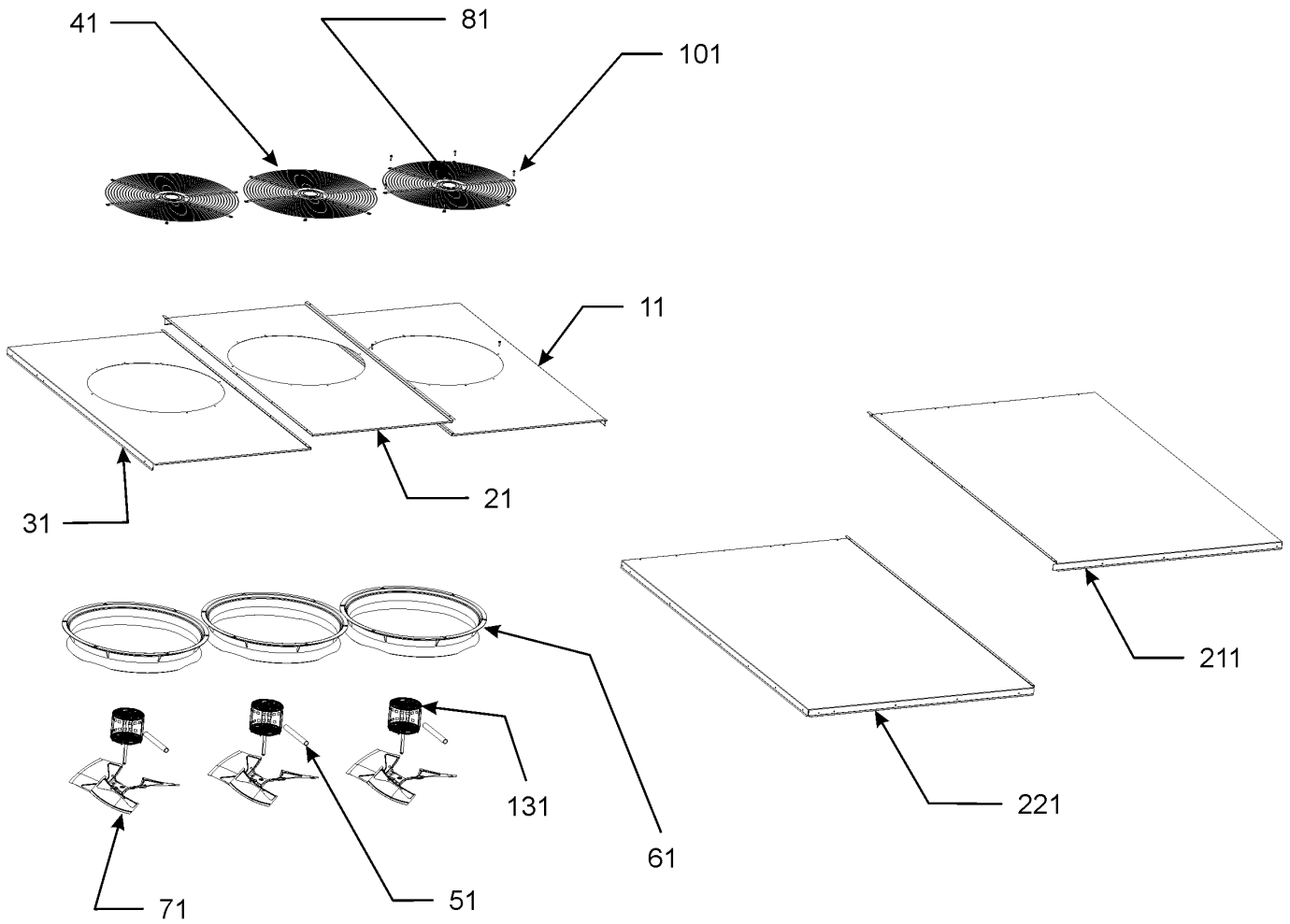
**Image 1:**

11	0121L00440DG	CORNER POST (QTY 2)
21	0270L00196	INSULATED RETURN CORNER PANEL
51	0270L00219	INSULATED ACCESSORY POST ASSY
61	0270L00205	INSULATED FILTER POST ASSY
71	0270L00258	INSULATED BLOWER POST ASSY
81	0121L00903DG	PNT, POST-PARTITION, EVAP SIDE
91	0121L00906DG	PNT, POST-PARTITION, (COOL) HT
121	0270L00194	INSULATED BLOWER DOOR ASSY
131	0270L00250	INSULATED ACCESSORY PANEL ASSY
141	0121L00687DG	CONTROL DOOR
151	0270L00198	INSULATED FILTER DOOR ASSY
161	0121L00907DG	PNT, PANEL-CONDENSER SIDE (QTY 2)
171	0121L00905DG	PNT, POST-COND PANELS (QTY 3)
181	0121L00537DG	LOUVER PANEL (QTY 2)
191	0270L00259	INSULATED BLOWER DOOR ASSY, HT SIDE
201	0270L00257	INSULATION ELEC HT DOOR ASSY
211	0152L00000	GRILLE-CONDENSER (QTY 2)
221	0121L00476DG	DOOR TURNBUCKLE (QTY 16)
231	0121L00580	CONDENSER POST BRACKET, CENTER
NS	M0204317	SCREW-MACHINE (QTY 16)

**Expanded Model Nomenclature**

M1 - CPC181XXX3BXXXBA
M2 - CPC181XXX3BXXXBB
M3 - CPC181XXX4BAXXBA
M4 - CPC181XXX4BAXXBB
M5 - CPC181XXX4BXXXBA
M6 - CPC181XXX4BXXXBB
M7 - CPC181XXX7BXXXBA
M8 - CPC181XXX7BXXXBB
M9 - CPC1810304BXXOBB
M10 - CPC1810304HAXBBA
M11 - CPC1810304HAXBBB
M12 - CPC1810304HXXBBA
M13 - CPC1810304HXXBBB
M14 - CPC1810307BXXXBA
M15 - CPC1810307BXXXBB

# Top Panel Assembly



# Top Panel Assembly

Ref. Part No: No:	Description:	Ref. Part No: No:	Description:
-------------------	--------------	-------------------	--------------

**Image 1:**

11	0121L01038DG	PNT, TOP-FAN, CONTROL SIDE
21	0121L01039DG	PNT, TOP-FAN, CENTER
31	0121L01040DG	PNT, TOP-FAN, EVAP SIDE
41	0152G00003	FAN GRILLE (QTY 3)
51	17788000083F	PVC CONDUIT 8.25" (QTY 3)
61	0161L00000	VENTURI RING 22" (QTY 3)
71	10625733	FAN BLADE 22" ALUM CCW (QTY 3)
81	0163M00006P	ACORN NUT 5/16 HEX BLACK (QTY 12)
101	0163M00004	SCREW #10X3/4", BLACK (QTY 36)
131	0131M00008P	COND MOTOR 1/3 HP, 1 SP, 6 PL (M1, M2)
131	B13400249	COND MOTOR 1/3 HP, 460V (M3, M4, M5, M6, M9, M10, M11, M12, M13)
131	0131M00179	COND MOTOR 1/3 HP, 6 PL, 575V (M7, M8, M14, M15)
211	0270L00193	INSULATED TOP ASSY, CONTROL SIDE
221	0270L00210	INSULATED TOP ASSY, EVAP SIDE

**Expanded Model Nomenclature**

M1 - CPC181XXX3BXXXBA
M2 - CPC181XXX3BXXXBB
M3 - CPC181XXX4BAXXBA
M4 - CPC181XXX4BAXXBB
M5 - CPC181XXX4BXXXBA
M6 - CPC181XXX4BXXXBB
M7 - CPC181XXX7BXXXBA
M8 - CPC181XXX7BXXXBB
M9 - CPC1810304BXXOBB
M10 - CPC1810304HAXBBA
M11 - CPC1810304HAXBBB
M12 - CPC1810304HXXBBA
M13 - CPC1810304HXXBBB
M14 - CPC1810307BXXXBA
M15 - CPC1810307BXXXBB



# Partition Assembly

Ref. Part No: No:	Description:	Ref. Part No: No:	Description:
-------------------	--------------	-------------------	--------------

**Image 1:**

31	0121L00927	DECK-SIDE, DUCT END
41	0121L00684	BLOWER DECK SIDE, HT END
51	0121L00652	BLOWER DECK, EVAP SIDE
61	0121L00653	BLOWER DECK, MOTOR SIDE
71	0121L00714	MOTOR MOUNT ANGLE (QTY 3)
91	0121L00478	BLOWER DECK RAIL (QTY 2)
101	0270L00226DG	DRAIN PAN
121	0121L00913	BRACKET-COND/BASEPAN (QTY 2)
131	0121L00591	ELECTRIC HEAT MOUNTING PLATE
141	0121L00592	ELECTRIC HEAT SUPPORT
151	0121L00593	FLUE HOLE COVER
161	0121L00481	BLOWER RAIL (QTY 2)
311	0121L00736	SHIELD-BLOWOFF
331	0121L00901	BRACE-COND COILS (QTY 2)
371	0121L00825	PARTITION PANEL

**Expanded Model Nomenclature**

M1 - CPC181XXX3BXXXBA
M2 - CPC181XXX3BXXXBB
M3 - CPC181XXX4BAXXBA
M4 - CPC181XXX4BAXXBB
M5 - CPC181XXX4BXXXBA
M6 - CPC181XXX4BXXXBB
M7 - CPC181XXX7BXXXBA
M8 - CPC181XXX7BXXXBB
M9 - CPC1810304BXXOBB
M10 - CPC1810304HAXBBA
M11 - CPC1810304HAXBBB
M12 - CPC1810304HXXBBA
M13 - CPC1810304HXXBBB
M14 - CPC1810307BXXXBA
M15 - CPC1810307BXXXBB

# Basepan / Compressor / Tubing Assembly

Image 1

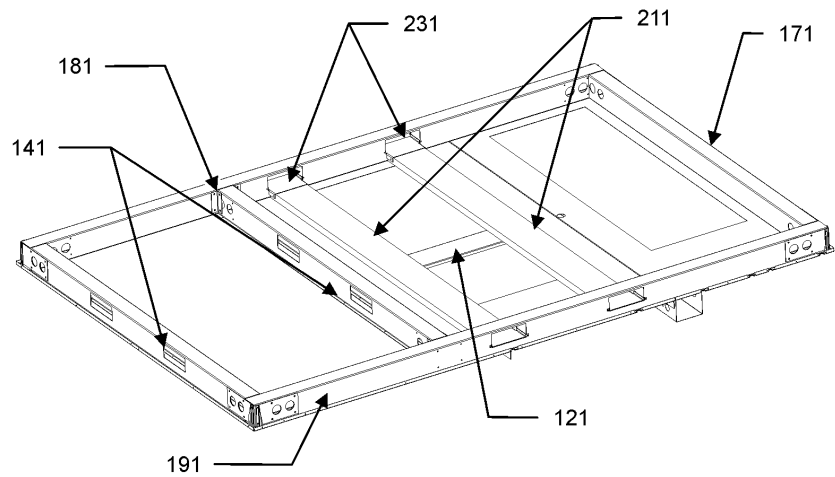
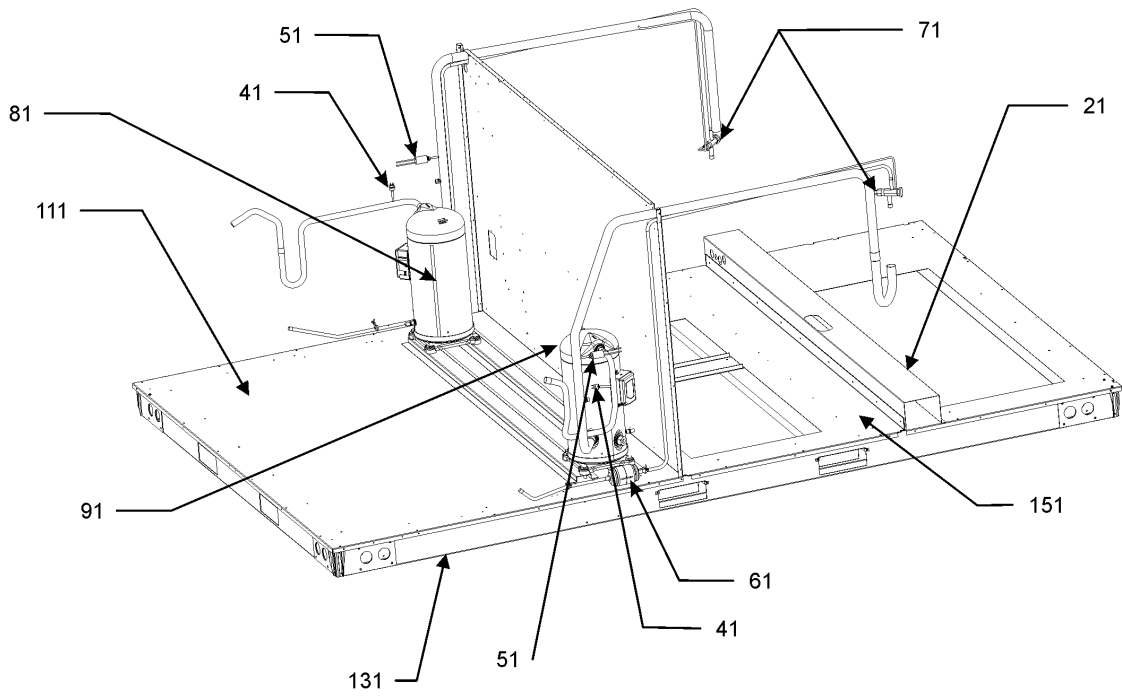


Image 2

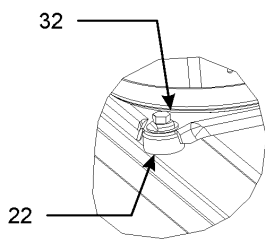
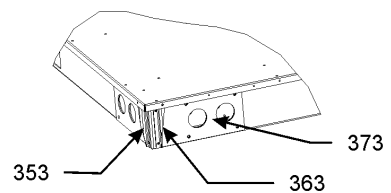


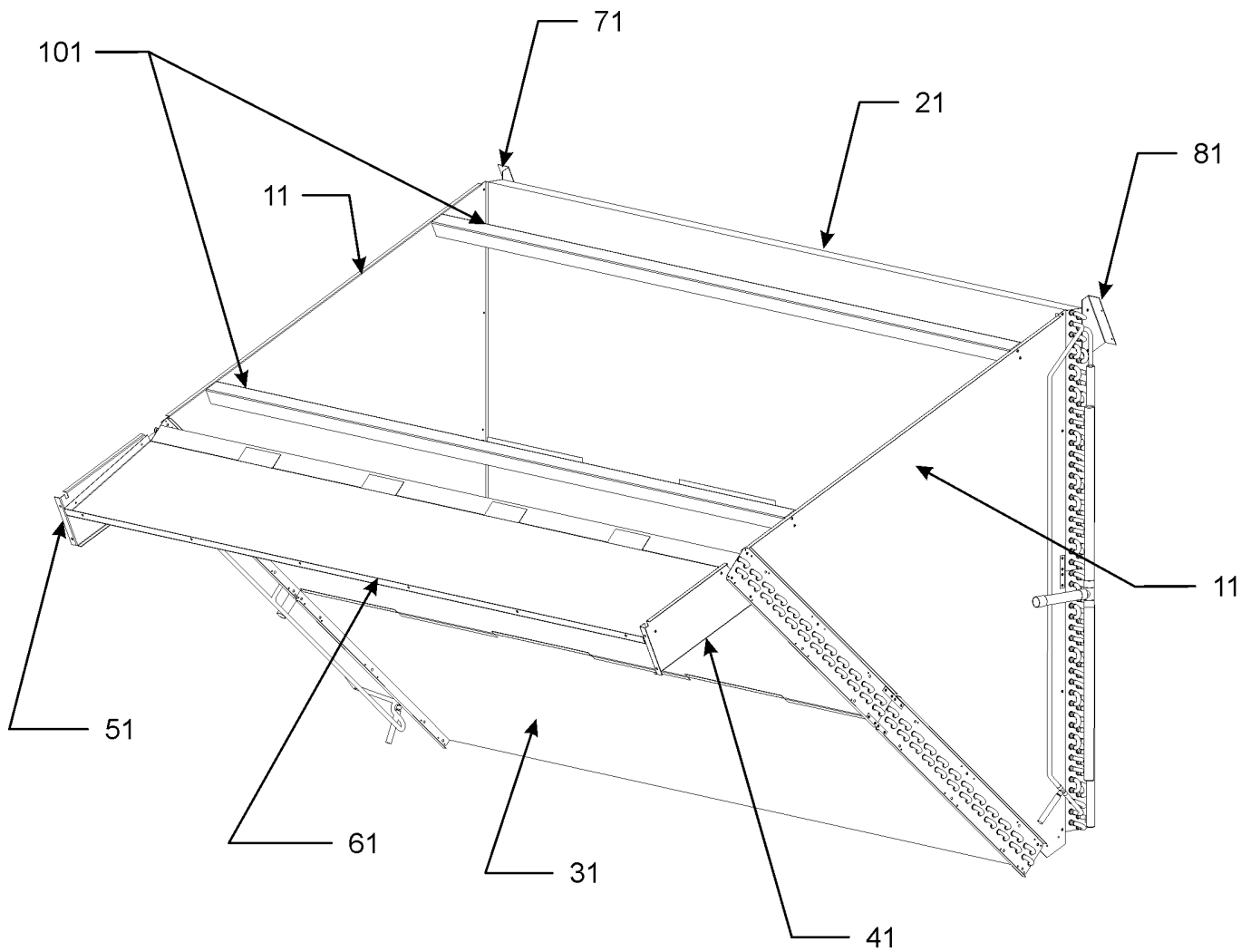
Image 3



# Basepan / Compressor / Tubing Assembly

Ref. Part No: No:	Description:	Ref. Part No: No:	Description:
<b>Image 1:</b>		<b>Expanded Model Nomenclature</b>	
21	0270L00189	BASEPAN WELDMENT, RETURN SIDE	M1 - CPC181XXX3BXXXBA
41	0130M00074	CUT-OUT SWITCH, HIGH PRESSURE	M2 - CPC181XXX3BXXXBB
51	0130M00087	CUT-OUT SWITCH, LOW PRESSURE	M3 - CPC181XXX4BAXXBA
61	0151M00012	BI-FLOW FILTER DRIER	M4 - CPC181XXX4BAXXBB
71	0151L00011	VALVE, TXV R-410A (QTY 8)	M5 - CPC181XXX4BXXXBA
81	ZP83KCETF5250	COMPRESSOR 83000, 200/230/60/3 (M1, M2)	M6 - CPC181XXX4BXXXBB
81	ZP83KCETFD130	COMPRESSOR 83000, 460/60/3 (M3, M4, M5, M6, M9, M10, M11, M12, M13)	M7 - CPC181XXX7BXXXBA
81	ZP83KCETFE130	COMPRESSOR 83000, 575/60/3 (M7, M8, M14, M15)	M8 - CPC181XXX7BXXXBB
91	ZP83KCETF5250	COMPRESSOR 83000, 200/230/60/3 (M1, M2)	M9 - CPC1810304BXXOBB
91	ZP83KCETFD130	COMPRESSOR 83000, 460/60/3 (M3, M4, M5, M6, M9, M10, M11, M12, M13)	M10 - CPC1810304HAXBBA
91	ZP83KCETFE130	COMPRESSOR 83000, 575/60/3 (M7, M8, M14, M15)	M11 - CPC1810304HAXBBB
111	0270L00336	BASEPAN WELD, OUTDOOR	M12 - CPC1810304HXXBBA
121	0121L00605	FORK BOARD PLATE	M13 - CPC1810304HXXBBB
131	0121L00720	SIDE RAIL	M14 - CPC1810307BXXXBA
141	0121L00721	BASE RAIL, CONDENSER END (QTY 2)	M15 - CPC1810307BXXXBB
151	0121L01032	BASEPAN, SUPPLY	
171	0121L00722	BASE RAIL, ACCESSORY END	
181	0121L00625	COMPRESSOR RAIL BRACKET (QTY 4)	
191	0121L00719	CONTROL SIDE BASE RAIL	
211	0141L00029	FORK BOARD (QTY 2)	
231	0121L00724	FORK BOARD BRACKET (QTY 4)	
NS	0163M00175	CAP WITH O-RING (QTY 4)	
NS	0159L00021	COMPRESSOR SCROLL HARNESS (M1, M2)	
NS	0159L00035	COMPRESSOR SCROLL HARNESS (M3, M4, M5, M6, M7, M8, M9, M10, M11, M12, M13, M14, M15)	
NS	0159L00042	COMPRESSOR SCROLL HARNESS (M3, M4, M5, M6, M7, M8, M9, M10, M11, M12, M13, M14, M15)	
NS	0159L00048	COMPRESSOR SCROLL HARNESS (M1, M2)	
NS	0130L00019	CRANK CASE HEATER, 70W, 575V (M7, M8, M14, M15)	
NS	0130L00017	CRANK CASE HEATER-70W 240V (M1, M2)	
NS	0130L00018	CRANK CASE HEATER-70W, 480V (M3, M4, M5, M6, M9, M10, M11, M12, M13)	
<b>Image 2:</b>			
22	0164M00018	COMPRESSOR GROMMET (QTY 8)	
32	B1393740	COMPRESSOR BOLT & SLEEVE (QTY 8)	
<b>Image 3:</b>			
353	0121L00616	RAIL BRACE ANGLE, RIGHT (QTY 4)	
363	0121L00617	RAIL BRACE ANGLE, LEFT (QTY 4)	
373	0121L00723	BASE RAIL CORNER BRACE (QTY 4)	

# Condenser Assembly



# Condenser Assembly

Ref. Part No:	No:	Description:	Ref. Part No:	No:	Description:
---------------	-----	--------------	---------------	-----	--------------

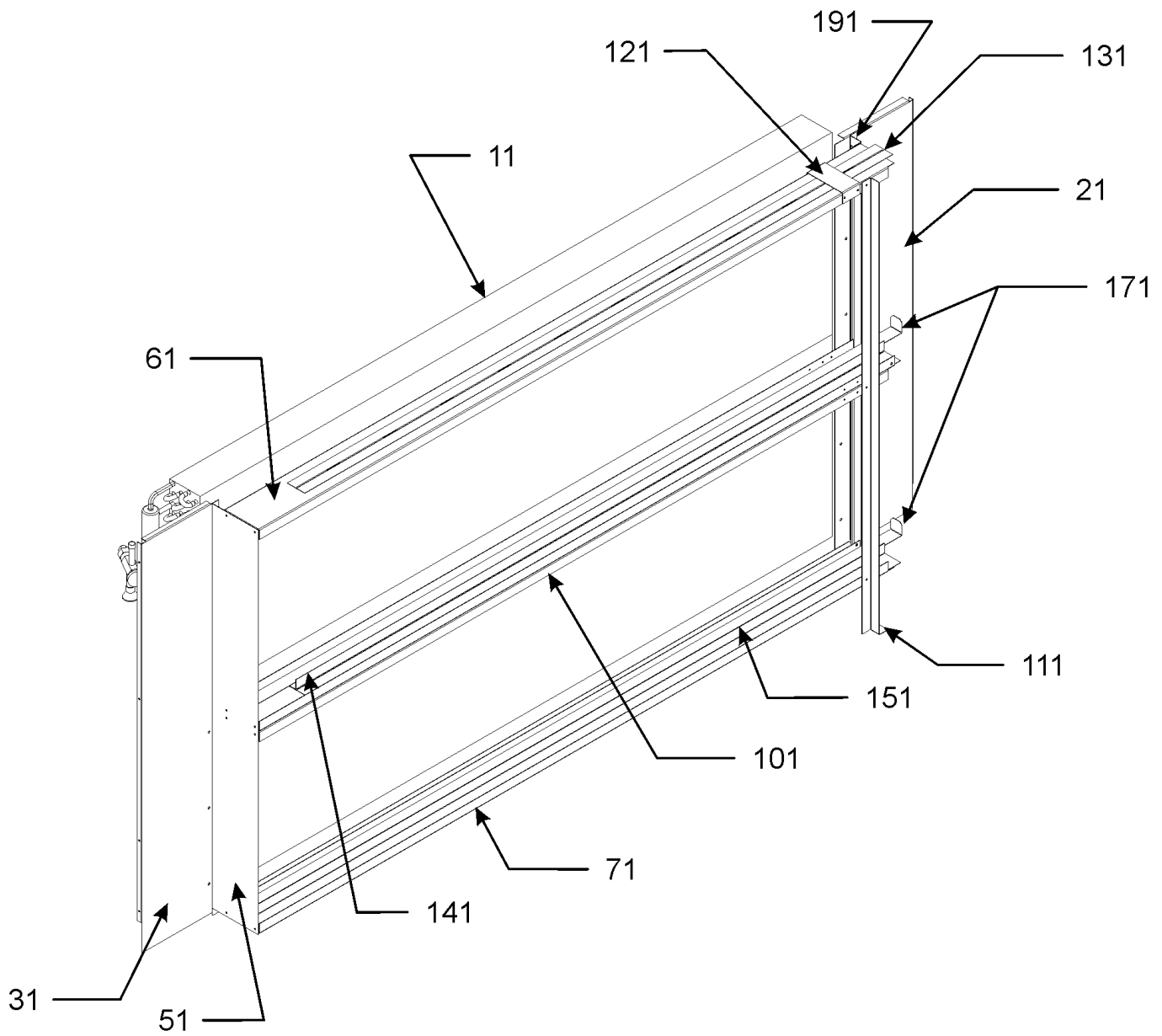
**Image 1:**

11	0121L00854	END COVER-CONDENSER (QTY 2)
21	0201L00123	CONDENSER COIL ASSY, C1
31	0201L00124	CONDENSER COIL ASSY C2
41	0121L00861	BRACKET-CONDENSER END
51	0121L00862	BRACKET-CONDENSER END
61	0121L00572	CONDENSER BLOCKOFF, INSIDE TOP
71	0121L00864	BRACKET-COND/POST
81	0121L00863	BRACKET-COND/POST
101	0121L01037	ANGLE, TOP BRACE (QTY 2)

**Expanded Model Nomenclature**

- M1 - CPC181XXX3BXXXBA
- M2 - CPC181XXX3BXXXBB
- M3 - CPC181XXX4BAXXBA
- M4 - CPC181XXX4BAXXBB
- M5 - CPC181XXX4BXXXBA
- M6 - CPC181XXX4BXXXBB
- M7 - CPC181XXX7BXXXBA
- M8 - CPC181XXX7BXXXBB
- M9 - CPC1810304BXXOBB
- M10 - CPC1810304HAXBBA
- M11 - CPC1810304HAXBBB
- M12 - CPC1810304HXXBBA
- M13 - CPC1810304HXXBBB
- M14 - CPC1810307BXXXBA
- M15 - CPC1810307BXXXBB

# Evaporator Assembly



# Evaporator Assembly

Ref. Part No: No:	Description:	Ref. Part No: No:	Description:
-------------------	--------------	-------------------	--------------

**Image 1:**

11	0202L00047	EVAPORATOR COIL ASSY (QTY 2)
21	0121L00698	EVAPORATOR BLOCKOFF PANEL
31	0121L00848	PANEL-EVAPORATOR, SMOKE DET
51	0121L00933	ANGLE-FILTER, LEFT VERTICAL
61	0121L00629	TOP FILTER RACK (QTY 2)
71	0121L00701	BOTTOM FILTER RACK
101	0270L00230	CENTER FILTER RACK
111	0121L00632	FILTER SUPPORT ANGLE
121	0121L00634	TOP ANGLE BRACKET
131	0270L00271	WELDMENT-TOP SLIDER
141	0270L00232	CENTER SLIDER
151	0270L00233	BOTTOM SLIDER
171	0121L00640	FILTER PULL (QTY 2)
191	0121L00702	RIGHT SIDE BLOCKOFF, FILTER RACK
NS	B1369611	AIR FILTER 20 X 25 X 2 (QTY 6)
NS	0121L00703	BOTTOM BLOCKOFF, FILTER RACK

**Expanded Model Nomenclature**

- M1 - CPC181XXX3BXXXBA
- M2 - CPC181XXX3BXXXBB
- M3 - CPC181XXX4BAXXBA
- M4 - CPC181XXX4BAXXBB
- M5 - CPC181XXX4BXXXBA
- M6 - CPC181XXX4BXXXBB
- M7 - CPC181XXX7BXXXBA
- M8 - CPC181XXX7BXXXBB
- M9 - CPC1810304BXXOBB
- M10 - CPC1810304HAXBBA
- M11 - CPC1810304HAXBBB
- M12 - CPC1810304HXXBBA
- M13 - CPC1810304HXXBBB
- M14 - CPC1810307BXXXBA
- M15 - CPC1810307BXXXBB

# Blower Assembly

Image 1

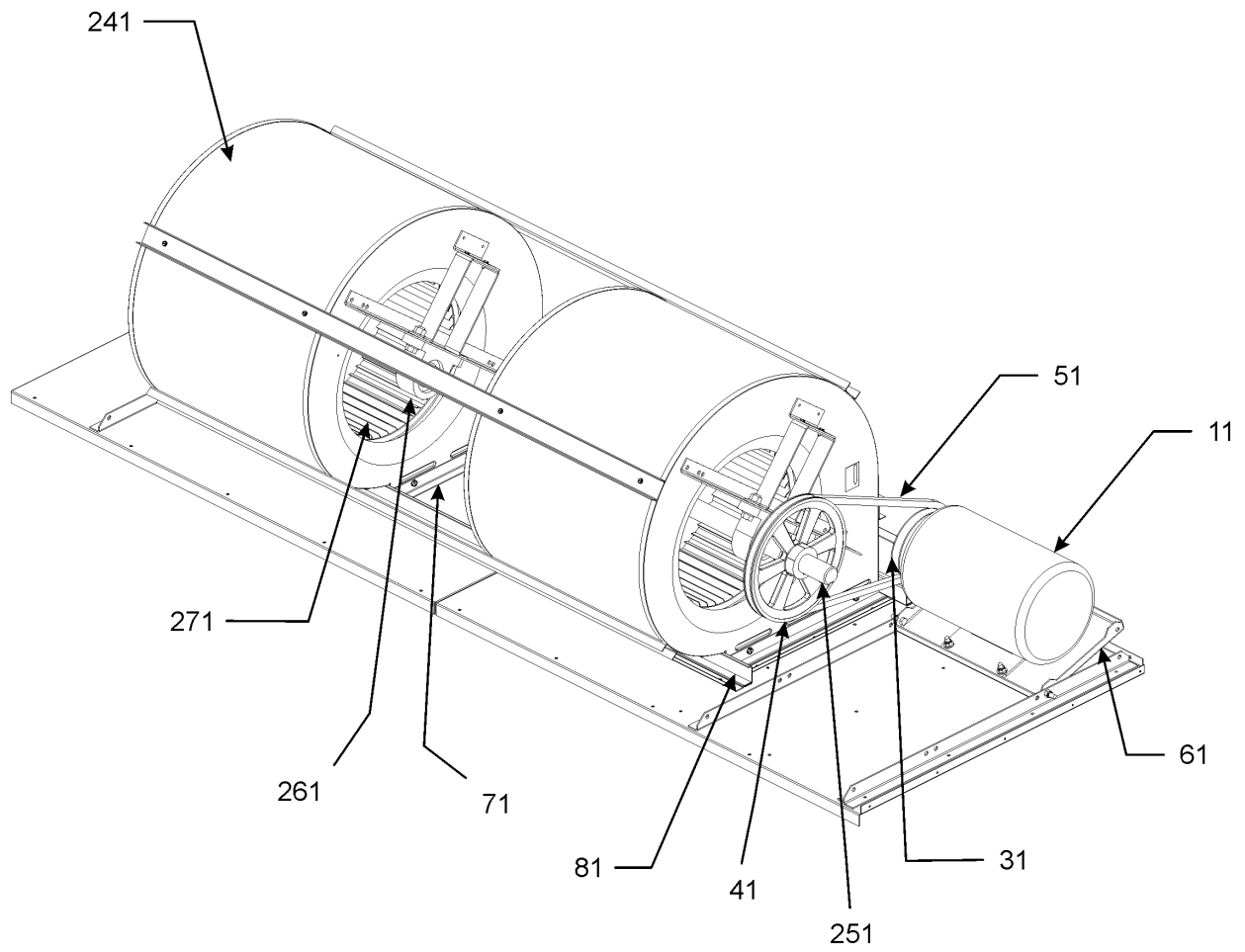
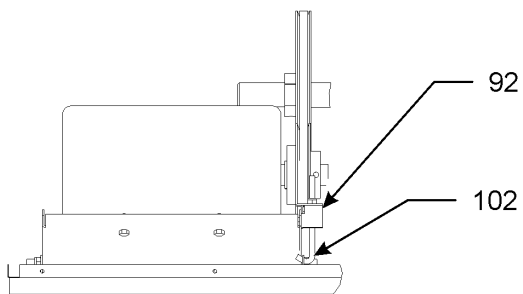


Image 2



# Blower Assembly

Ref. Part No: No:	Description:	Ref. Part No: No:	Description:
-------------------	--------------	-------------------	--------------

**Image 1:**

11	B3240004	BELT DRIVE MOTOR 2 HP (M1, M2, M3, M4, M5, M6, M9, M10, M11, M12, M13)
11	0131L00006	BELT DRIVE MOTOR 3 HP 575 V (M7, M8, M14, M15)
31	0163L00035	VARIABLE PITCH SHEAVE (M10, M11, M12, M13)
31	B2120013	VARIABLE PITCH SHEAVE 1VP50
41	0163L00053	SHEAVE-FIXED (M10, M11, M12, M13)
41	0163L00055	SHEAVE-FIXED
51	0164L00006	FAN BELT, NOTCHED
51	0164L00007	FAN BELT, NOTCHED (M10, M11, M12, M13)
61	0121L00555	MOTOR BASE PLATE
71	0121L00482	BLOWER SIDE ANGLE (QTY 4)
81	0121L00654	BLOWER RAIL (QTY 2)
241	04-01543	BLOWER HOUSING ASSY (QTY 2)
251	04-11555	BLOWER SHAFT
261	04-02198	BLOWER BEARING & FRAME ASSY (QTY 2)
271	03-77419	BLOWER WHEEL (QTY 2)

**Image 2:**

92	0121L00557	MOTOR ADJUST BRACKET
102	0163L00034	HOOKEB BOLT

**Expanded Model Nomenclature**

- M1 - CPC181XXX3BXXXBA
- M2 - CPC181XXX3BXXXBB
- M3 - CPC181XXX4BAXXBA
- M4 - CPC181XXX4BAXXBB
- M5 - CPC181XXX4BXXXBA
- M6 - CPC181XXX4BXXXBB
- M7 - CPC181XXX7BXXXBA
- M8 - CPC181XXX7BXXXBB
- M9 - CPC1810304BXXOBB
- M10 - CPC1810304HAXBBA
- M11 - CPC1810304HAXBBB
- M12 - CPC1810304HXXBBA
- M13 - CPC1810304HXXBBB
- M14 - CPC1810307BXXXBA
- M15 - CPC1810307BXXXBB

# Control Assembly

Image 1

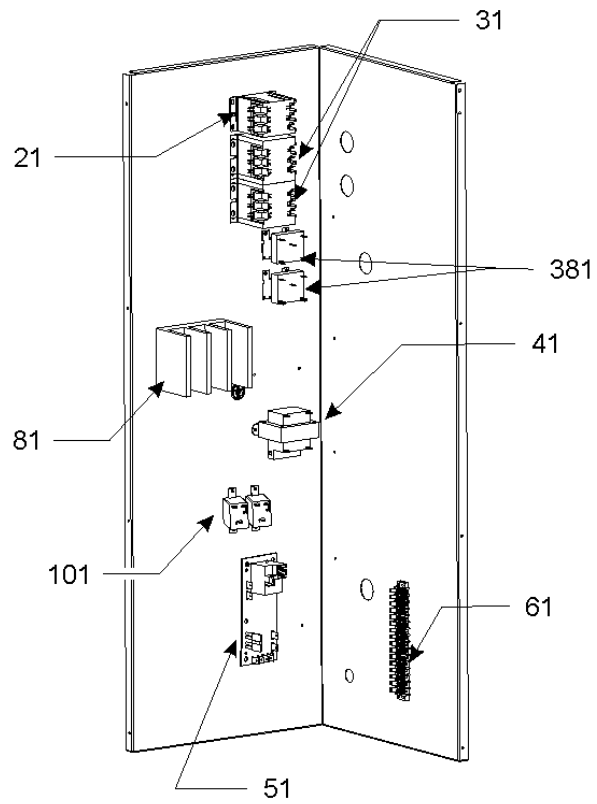
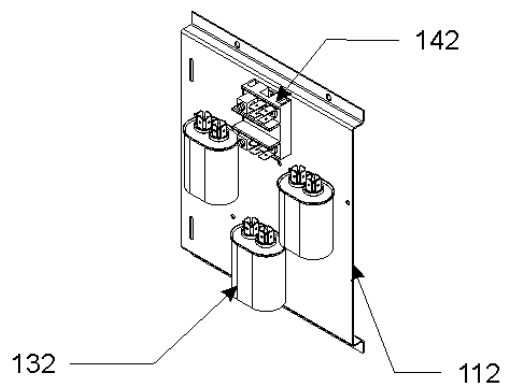


Image 2



# Control Assembly

Ref. Part No: No:	Description:	Ref. Part No: No:	Description:
-------------------	--------------	-------------------	--------------

**Image 1:**

21	CONT3P030024V	CONTACTOR 30 AMP, 3P, 24V (M3, M4, M5, M6, M7, M8, M9, M10, M11, M12, M13, M14, M15)
31	CONT3P040024V	CONTACTOR 40 AMP, 3P, 24V (M1, M2)
41	B1141653	TRANSFORMER 480V, 75VA, RESETTABLE (M3, M4, M5, M6, M9, M10, M11, M12, M13)
41	B1141672	TRANSFORMER 480V, 75VA, RESETTABLE (M1, M2)
41	0130M00045	TRANSFORMER 575/24V (M7, M8, M14, M15)
51	PCBFM131	ELECTRONIC BLOWER TIME DELAY
61	0130M00038	TERMINAL BOARD
81	16330-3	POWER BLOCK
101	B1370751	24V RELAY (M2, M4, M6, M8, M9, M11, M13, M15)
381	0130M00025	24V RELAY (QTY 2)
NS	0259L00118	CONDENSER FAN HARNESS, LONG
NS	0159L00052	HARNESS JUMPER LONG
NS	0259L00106	HARNESS, CONTROL AC
NS	0259L00107	HARNESS, E-HEAT
NS	0159L00051	HARNESS, JUMPER SHORT
NS	0259L00101	MOTOR HARNESS-BELT DRIVE

**Image 2:**

112	0121L00585	CAPACITOR MOUNTING PLATE
132	CAP050000370VA	CAPACITOR 5/370V (QTY 3)
142	B1368250	TERMINAL BLOCK (HIGH VOLTAGE)
NS	0121L00586	CAPACITOR COVER
NS	20520901	CAPACITOR STRAP (QTY 3)
NS	0259L00117	CONDENSER FAN HARNESS, MEDIUM
NS	0259L00116	CONDENSER FAN HARNESS, SHORT
NS	0259L00105	HARNESS, ECONOMIZER AC

**Expanded Model Nomenclature**

- M1 - CPC181XXX3BXXXBA
- M2 - CPC181XXX3BXXXBB
- M3 - CPC181XXX4BAXXBA
- M4 - CPC181XXX4BAXXBB
- M5 - CPC181XXX4BXXXBA
- M6 - CPC181XXX4BXXXBB
- M7 - CPC181XXX7BXXXBA
- M8 - CPC181XXX7BXXXBB
- M9 - CPC1810304BXXOBB
- M10 - CPC1810304HAXBBA
- M11 - CPC1810304HAXBBB
- M12 - CPC1810304HXXBBA
- M13 - CPC1810304HXXBBB
- M14 - CPC1810307BXXXBA
- M15 - CPC1810307BXXXBB

# Accessory Parts List

# Accessory Parts

Ref. Part No:	Ref. Part No:	Description:	Description:
---------------	---------------	--------------	--------------

**Image 1:**

NS 0130M00065	CIRCUIT BREAKER, CONVENIENCE OUTLET (M9, M10, M11, M12, M13)
NS 0270L00275	CONVENIENCE OUTLET ASSY-NP (M9, M10, M11, M12, M13)
NS DNECONGS180240	ECONOMIZER DOWNFLOW GAS/AC (M3, M4, M10, M11)
NS SDSRKT01FI15T20	SMOKE DETECTOR ASSEMBLY (M9)
NS 0130M00061	TRANSFORMER, CONVENIENCE OUTLET (M9, M10, M11, M12, M13)

**Expanded Model Nomenclature**

M1 - CPC181XXX3BXXXBA
M2 - CPC181XXX3BXXXBB
M3 - CPC181XXX4BAXXBA
M4 - CPC181XXX4BAXXBB
M5 - CPC181XXX4BXXXBA
M6 - CPC181XXX4BXXXBB
M7 - CPC181XXX7BXXXBA
M8 - CPC181XXX7BXXXBB
M9 - CPC1810304BXXOBB
M10 - CPC1810304HAXBBA
M11 - CPC1810304HAXBBB
M12 - CPC1810304HXXBBA
M13 - CPC1810304HXXBBB
M14 - CPC1810307BXXXBA
M15 - CPC1810307BXXXBB