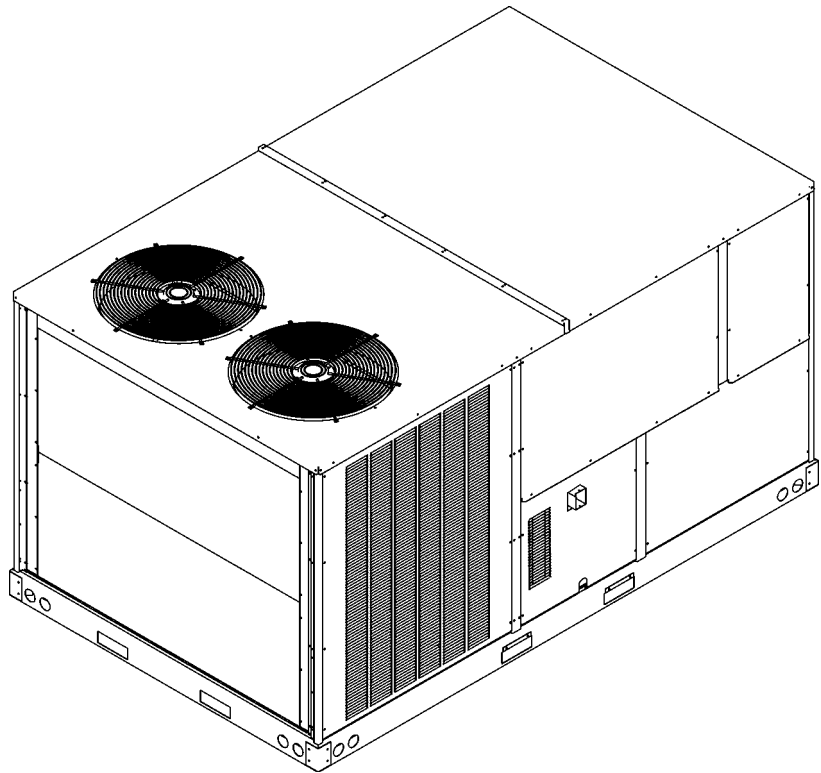


# REPAIR PARTS

---

## Commercial 7.5-12.5 Ton Package Cooler

CPC0900164BAXCBB  
CPC1200163BAABAB  
CPC1200163BXJXAB  
CPC1200164HXXAAB  
CPC1200304BXXBAB  
CPC1200304HXXAAB  
CPC1200453BAAXAB  
CPC1200453BXAXAB  
CPC120XXX3BXXBAB  
CPC120XXX4BXXBAB  
CPC1500303BXABAB  
CPC1500304HXXAAB  
CPC1500307BXXXAB  
CPC150XXX3BXXBAB  
CPC150XXX3BXJXAB  
CPC150XXX4BXACAB



This manual is to be used by qualified technicians only.

This manual replaces RP-684B.

© 2012, 2016 Goodman Manufacturing Company, L.P. ♦ 5151 San Felipe St., Suite 500 ♦ Houston, TX 77056

# Important Information

---

## Index

Functional Parts List .....	3
Illustration and Parts .....	4 - 15

*Views shown are for parts illustrations only, not servicing procedures*

### Text Codes:

AR - As Required

NA - Not Available

NS - Not Shown

00000000 - See Note

QTY - Quantity Example (QTY 3) (If Quantity not shown, Quantity = 1)

M - Model Example (M1) (If M Code not shown, then part is used on all Models)

### Expanded Model Nomenclature:

Example M1 - Model#1 M2 - Model#2 M3 - Model#3
---

Goodman Manufacturing Company, L.P. is not responsible for personal injury or property damage resulting from improper service. Review all service information before beginning repairs.

Warranty service must be performed by an authorized technician, using authorized factory parts. If service is required after the warranty expires, Goodman Manufacturing Company, L.P. also recommends contacting an authorized technician and using authorized factory parts.

Goodman Manufacturing Company, L.P. reserves the right to discontinue, or change at any time, specifications or designs without notice or without incurring obligations.

For assistance within the U.S.A. contact:

Consumer Affairs Department  
Goodman Manufacturing Company, L.P.  
7401 Security Way  
Houston, Texas 77040  
877-254-4729-Telephone  
713-863-2382-Facsimile

For assistance outside the U.S.A. contact:

International Division  
Goodman Manufacturing Company, L.P.  
7401 Security Way  
Houston, Texas 77040  
713-861-2500-Telephone  
713-863-2382-Facsimile

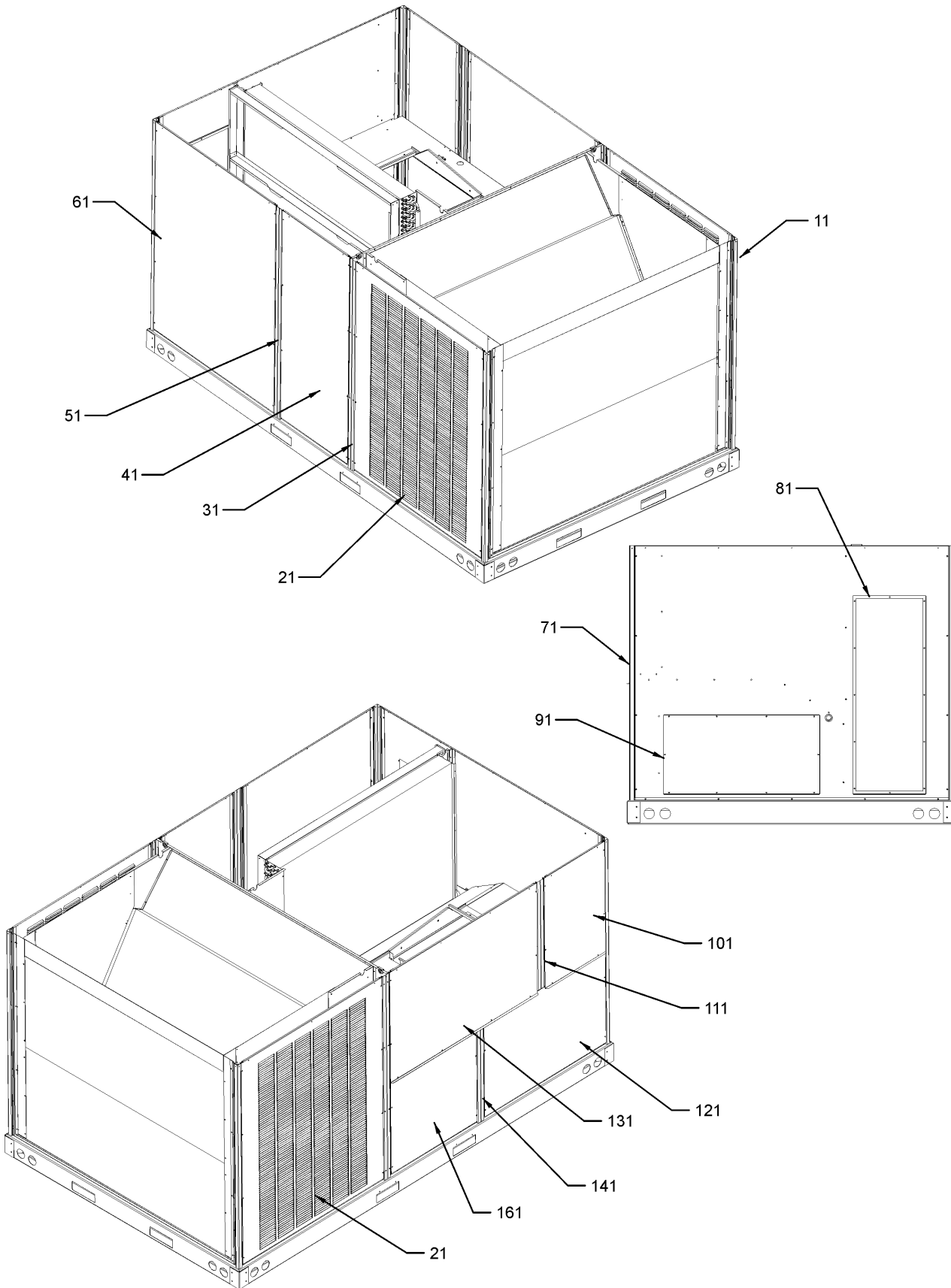
# Functional Parts

## Part

## No: Description:

Part No:	Description:	Expanded Model Nomenclature
B3240007	BELT DRIVE MOTOR 1.5 HP (M1)	M1 - CPC0900164BAXCBB
B3240006	BELT DRIVE MOTOR 2 HP (M2, M3, M4, M5, M7, M8, M9, M10)	M2 - CPC120XXX3BXXAB
B3240004	BELT DRIVE MOTOR 2 HP (M6, M11, M12, M13, M14)	M3 - CPC120XXX4BXXAB
0131L00006	BELT DRIVE MOTOR 3 HP 575 V (M16)	M4 - CPC1200163BAABAB
03-77429	BLOWER WHEEL (M1)	M5 - CPC1200163BXJXAB
CAP050000370VA	CAPACITOR 5/370V (QTY 2)	M6 - CPC1200164HXXAAB
ZP39K5ETFD130	COMPRESSOR 39000, 460/60/3 (M1)	M7 - CPC1200304BXXAB
ZP51K5ETF5130	COMPRESSOR 51000, 208/230/60/3 (M2, M4, M5, M9, M10)	M8 - CPC1200304HXXAAB
ZP51K5ETFD130	COMPRESSOR 51000, 460/60/3 (M3, M6, M7, M8)	M9 - CPC1200453BAAXAB
ZP67KCETFD130	COMPRESSOR 67000, 460/60/3 (M13, M15)	M10 - CPC1200453BXAXAB
ZP67KCETF5130	COMPRESSOR 67500, 200/230/60/3 (M11, M12, M14)	M11 - CPC150XXX3BXXAB
ZP67KCETFE130	COMPRESSOR 67500, 575/60/3 (M16)	M12 - CPC150XXX3BXJXAB
0131M00008P	COND MOTOR 1/3 HP, 1 SP, 6 PL (M2, M4, M5, M9, M10, M11, M12, M14)	M13 - CPC150XXX4BXACAB
B13400249	COND MOTOR 1/3 HP, 460V (M3, M6, M7, M8, M13, M15)	M14 - CPC1500303BXABAB
0131M00179	COND MOTOR 1/3 HP, 6 PL, 575V (M16)	M15 - CPC1500304HXXAAB
B13400269	COND MOTOR 380/460 50/60 CYCLE (M1)	M16 - CPC1500307BXXAB
0131M00274	COND MOTOR 5.0 HP (M15)	
CONT3P025024V	CONTACTOR 25 AMP, 3P, 24V (M1, M2, M3, M4, M5, M6, M7, M8, M9, M10, M13, M15, M16)	
CONT3P030024V	CONTACTOR 30 AMP, 3P, 24V (M11, M12, M14)	
0130M00030	CUT-OUT SWITCH, HIGH PRESSURE (M1, M2, M3, M4, M5, M6, M7, M8, M9, M10)	
0130M00074	CUT-OUT SWITCH, HIGH PRESSURE (M11, M12, M13, M14, M15, M16)	
0130M00031	CUT-OUT SWITCH, HIGH PRESSURE (M1, M2, M3, M4, M5, M6, M7, M8, M9, M10)	
0130L00003	CUT-OUT SWITCH, LOW PRESSURE (M1, M2, M3, M4, M5, M6, M7, M8, M9, M10)	
0130M00075	CUT-OUT SWITCH, LOW PRESSURE (M11, M12, M13, M14, M15, M16)	
0130L00002	CUT-OUT SWITCH, LOW PRESSURE (M1, M2, M3, M4, M5, M6, M7, M8, M9, M10)	
PCBFM131	ELECTRONIC BLOWER TIME DELAY	
0150G00001	FAN BLADE (M1)	
10625733	FAN BLADE 22" ALUM CCW (M2, M3, M4, M5, M6, M7, M8, M9, M10, M11, M12, M13, M14, M15, M16)	
B1141672	TRANSFORMER 480V, 75VA, RESETTABLE (M2, M4, M5, M9, M10, M11, M12, M14)	
B1141653	TRANSFORMER 480V, 75VA, RESETTABLE (M1, M3, M6, M7, M8, M13, M15)	
0130M00045	TRANSFORMER 575/24V (M16)	

# Cabinet Assy



# Cabinet Assy

Ref. Part No:	No:	Description:	Ref. Part No:	No:	Description:
<i>Image 1:</i>			<b>Expanded Model Nomenclature</b>		
11	0121L00065RFDG	CORNER POST (M1, M2, M3, M4, M5, M6, M7, M8, M9, M10)	M1 - CPC0900164BAXCBB		
11	0121L00814RFDG	RF, PNT, CORNER POST (M11, M12, M13, M14, M15, M16)	M2 - CPC120XXX3BXXAB		
21	0121L00386DG	LOUVERED SIDE PANEL (M11, M12, M13, M14, M15, M16)	M3 - CPC120XXX4BXXAB		
21	0121L00511DG	LOUVERED SIDE PANEL (M1, M2, M3, M4, M5, M6, M7, M8, M9, M10)	M4 - CPC1200163BAABAB		
31	0121L00738RFDG	PNT, ROLL FORM SIDE POST (M1, M2, M3, M4, M5, M6, M7, M8, M9, M10)	M5 - CPC1200163BXJXAB		
31	0121L00758RFDG	POST-SIDE, RF PAINTED (M11, M12, M13, M14, M15, M16)	M6 - CPC1200164HXXAAB		
41	0270L00272	INSUL FILTER DOOR ASSY (M1, M2, M3, M4, M5, M6, M7, M8, M9, M10)	M7 - CPC1200304BXXAB		
41	0270L00273	INSUL FILTER DOOR ASSY (M11, M12, M13, M14, M15, M16)	M8 - CPC1200304HXXAAB		
51	0121L00739RFDG	PNT, RFORM, FILTER DOOR POST (M1, M2, M3, M4, M5, M6, M7, M8, M9, M10)	M9 - CPC1200453BAAXAB		
51	0121L00757RFDG	POST-FILTER, RF PAINTED (M11, M12, M13, M14, M15, M16)	M10 - CPC1200453BXAXAB		
61	0270L00167	INSULATED ASSY, ECONOMIZER DOOR (M11, M12, M13, M14, M15, M16)	M11 - CPC150XXX3BXXAB		
61	0270L00175	INSULATED ASSY, ECONOMIZER DOOR (M1, M2, M3, M4, M5, M6, M7, M8, M9, M10)	M12 - CPC150XXX3BXJXAB		
71	0270L00164	INSULATED ASSY, DUCT PANEL (M11, M12, M13, M14, M15, M16)	M13 - CPC150XXX4BXACAB		
71	0270L00180	INSULATED ASSY, DUCT PANEL (M1, M2, M3, M4, M5, M6, M7, M8, M9, M10)	M14 - CPC1500303BXABAB		
81	0270L00041	INSULATED ASSY, SUPPLY DUCT	M15 - CPC1500304HXXAAB		
91	0270L00040	INSULATED ASSY, RETURN DUCT	M16 - CPC1500307BXXXAB		
101	0121L00821DG	DOOR-CONTROL, PAINTED (M11, M12, M13, M14, M15, M16)			
101	0121L00764DG	PNT, DOOR, CONTROL (M1, M2, M3, M4, M5, M6, M7, M8, M9, M10)			
111	0121L00817RFDG	RF, PNT, CONTROL POST (M11, M12, M13, M14, M15, M16)			
111	0121L00762RFDG	RF, PNT, POST, CONTROL BOX (M1, M2, M3, M4, M5, M6, M7, M8, M9, M10)			
121	0270L00299	INSUL HEAT EXCH DOOR ASSY			
131	0270L00301	INSUL BLOWER DOOR ASSY (M11, M12, M13, M14, M15, M16)			
131	0270L00298	INSUL BLWR DOOR ASSY (M1, M2, M3, M4, M5, M6, M7, M8, M9, M10)			
141	0121L00765RFDG	RF, PNT, POST, BURNER BOX			
161	0121L00828DG	PNT, DOOR, BURNER AREA			

# Top Panel / Tubing Assy

Image 1

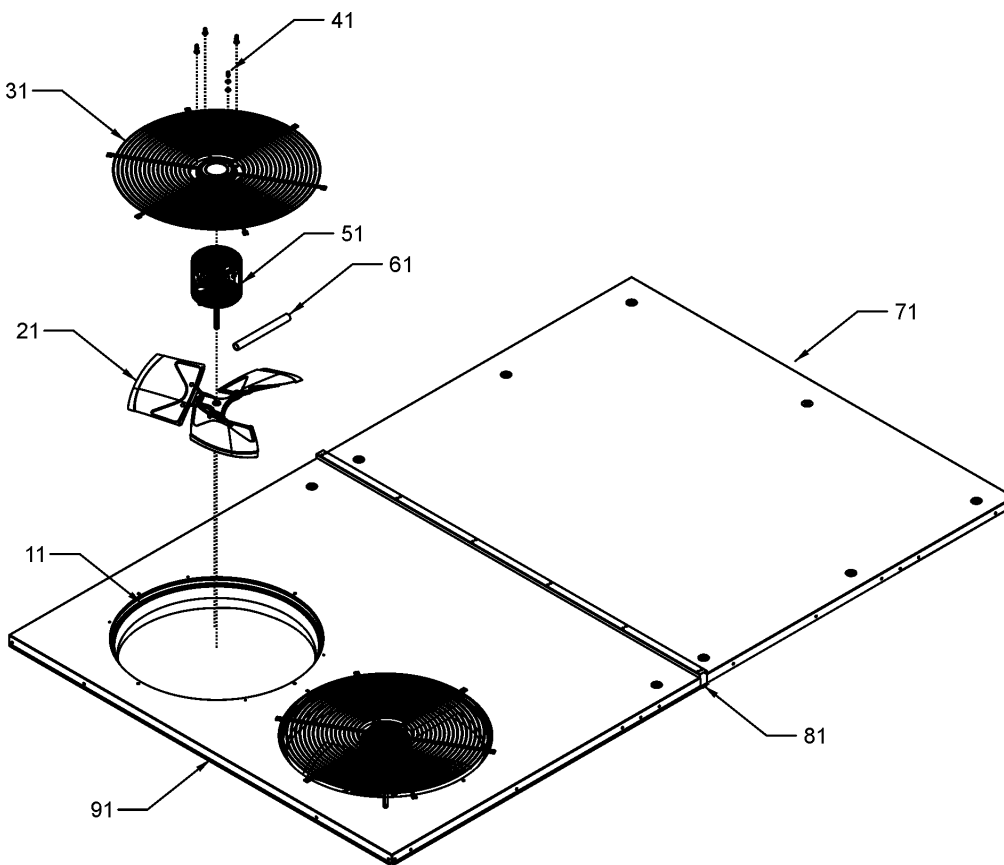
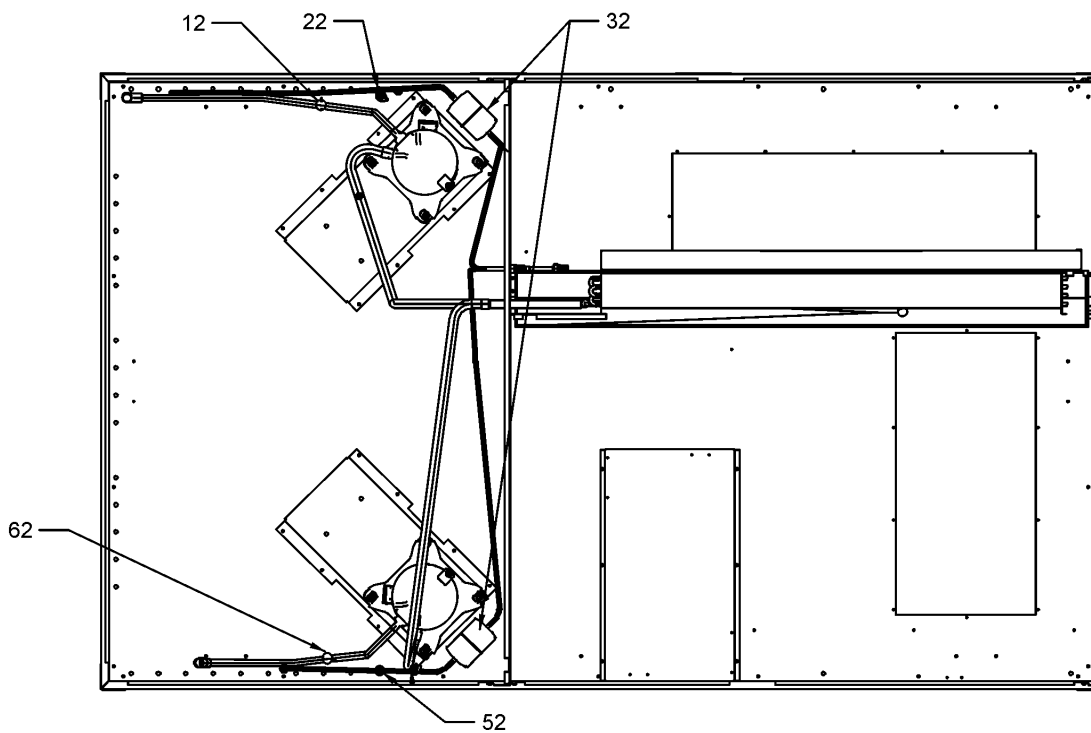


Image 2



# Top Panel / Tubing Assy

**Ref. Part  
No: No:**

**Description:**

**Ref. Part  
No: No:**

**Description:**

**Image 1:**

11	0161L00000	VENTURI RING 22" (QTY 2)
21	0150G00001	FAN BLADE (M1)
21	10625733	FAN BLADE 22" ALUM CCW (M2, M3, M4, M5, M6, M7, M8, M9, M10, M11, M12, M13, M14, M15, M16)
31	0152G00003	FAN GRILLE (QTY 2)
41	0163M00006P	ACORN NUT 5/16 HEX BLACK (QTY 8)
51	0131M00008P	COND MOTOR 1/3 HP, 1 SP, 6 PL (M2, M4, M5, M9, M10, M11, M12, M14)
51	B13400249	COND MOTOR 1/3 HP, 460V (M3, M6, M7, M8, M13, M15)
51	0131M00179	COND MOTOR 1/3 HP, 6 PL, 575V (M16)
51	B13400269	COND MOTOR 380/460 50/60 CYCLE (M1)
61	17788000083F	PVC CONDUIT 8.25" (QTY 2)
71	0121L00497DG	EVAP TOP PANEL
81	0121L00121	SPLICE-COND PLATE
91	0121G00312DG	COND TOP PANEL
NS	0259L00096	COND MOTOR HARNESS (M11, M12, M14, M16)
NS	0259L00097	COND MOTOR HARNESS (M13, M15)
NS	0259L00025	COND MOTOR HARNESS 230V (M2, M4, M5, M9, M10)
NS	0259L00027	COND MOTOR HARNESS 230V (M2, M4, M5, M9, M10, M11, M12, M14, M16)
NS	0259L00026	COND MOTOR HARNESS 460V (M1, M3, M6, M7, M8)
NS	0259L00028	COND MOTOR HARNESS 460V (M1, M3, M6, M7, M8, M13, M15)

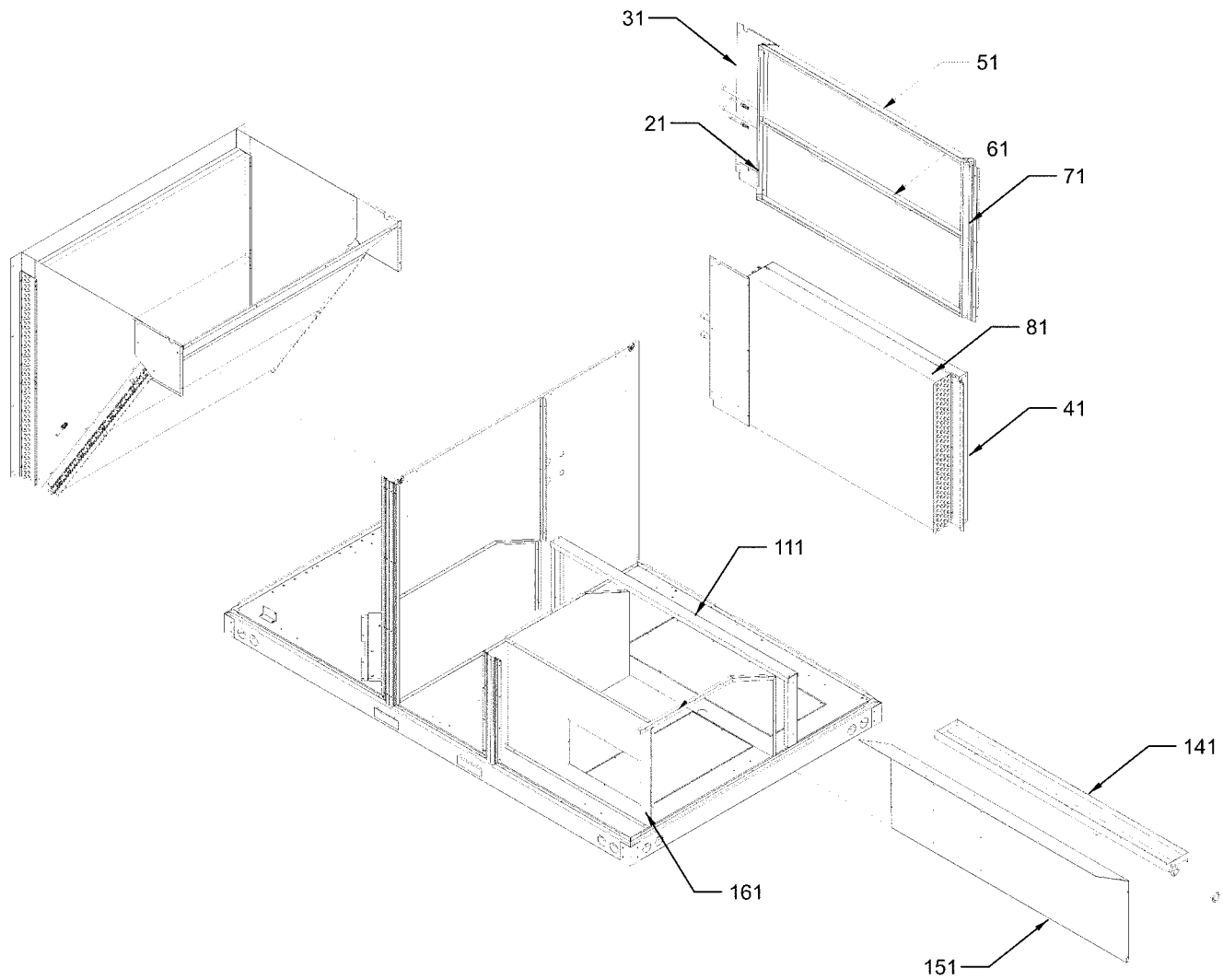
**Image 2:**

12	0130M00031	CUT-OUT SWITCH, HIGH PRESSURE (M1, M2, M3, M4, M5, M6, M7, M8, M9, M10)
12	0130M00074	CUT-OUT SWITCH, HIGH PRESSURE (M11, M12, M13, M14, M15, M16)
22	0130L00003	CUT-OUT SWITCH, LOW PRESSURE (M1, M2, M3, M4, M5, M6, M7, M8, M9, M10)
22	0130M00075	CUT-OUT SWITCH, LOW PRESSURE (M11, M12, M13, M14, M15, M16)
32	0151M00012	BI-FLOW FILTER DRIER (M11, M12, M13, M14, M15, M16)
32	20485201	BI-FLOW FILTER DRIER (M1, M2, M3, M4, M5, M6, M7, M8, M9, M10)
52	0130L00002	CUT-OUT SWITCH, LOW PRESSURE (M1, M2, M3, M4, M5, M6, M7, M8, M9, M10)
52	0130M00075	CUT-OUT SWITCH, LOW PRESSURE (M11, M12, M13, M14, M15, M16)
62	0130M00030	CUT-OUT SWITCH, HIGH PRESSURE (M1, M2, M3, M4, M5, M6, M7, M8, M9, M10)
NS	B1373315	ACCESS FITTING (QTY 4)
NS	B9102097	CAP W/O-RING (QTY 4)

**Expanded Model Nomenclature**

M1 - CPC0900164BAXCBB
M2 - CPC120XXX3BXXAB
M3 - CPC120XXX4BXXAB
M4 - CPC1200163BAABAB
M5 - CPC1200163BXJXAB
M6 - CPC1200164HXXAAB
M7 - CPC1200304BXXAB
M8 - CPC1200304HXXAAB
M9 - CPC1200453BAAXAB
M10 - CPC1200453BXAXAB
M11 - CPC150XXX3BXXAB
M12 - CPC150XXX3BXJXAB
M13 - CPC150XXX4BXACAB
M14 - CPC1500303BXABAB
M15 - CPC1500304HXXAAB
M16 - CPC1500307BXXXAB

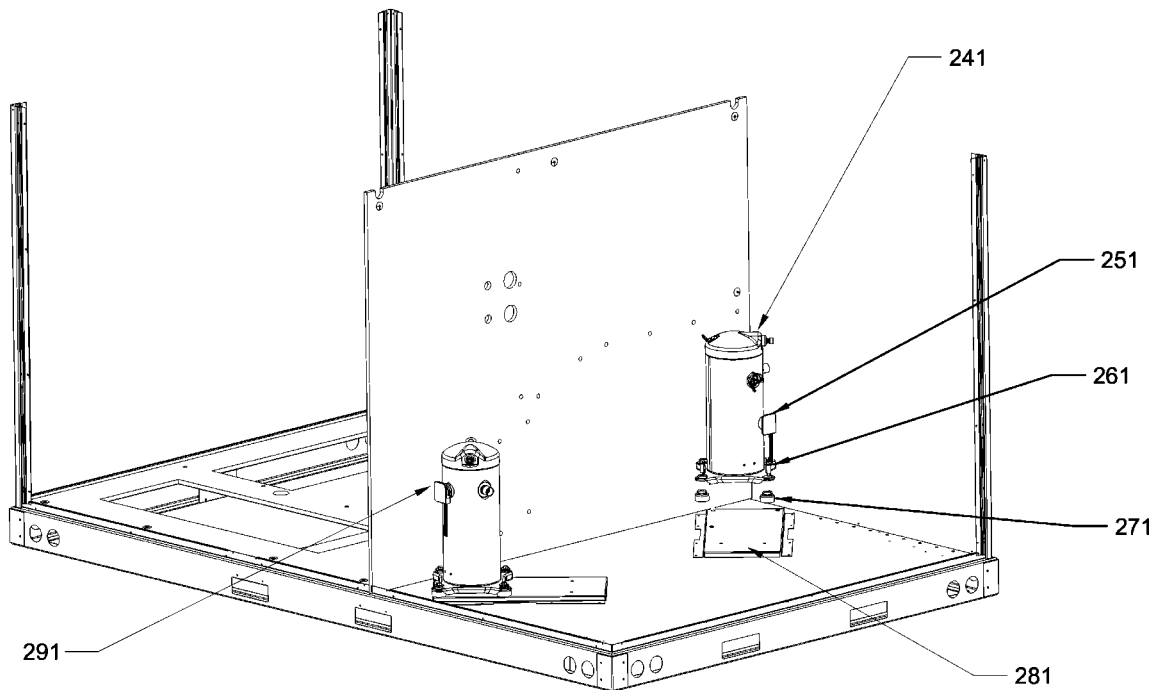
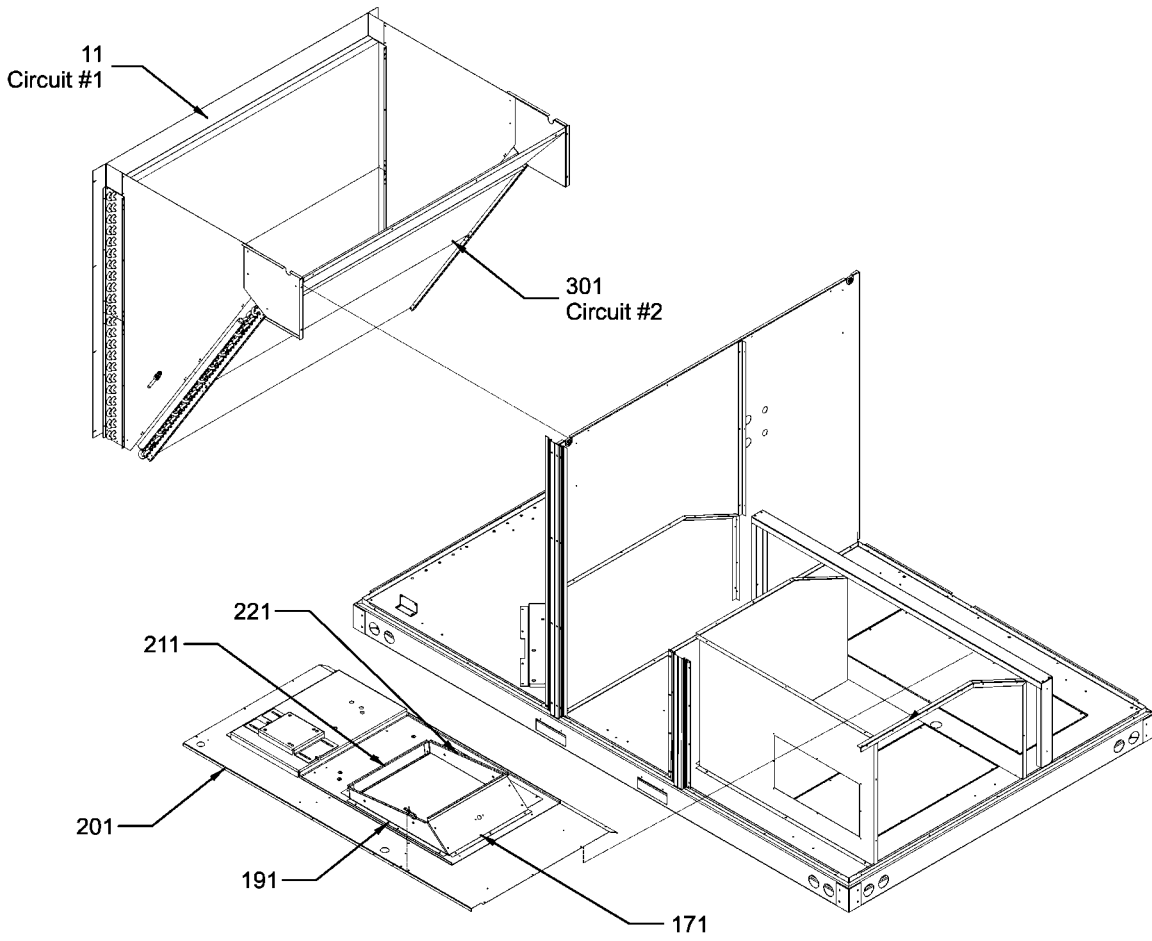
# Partition / Evaporator Assembly



# Partition / Evaporator Assembly

Ref. Part No:	No:	Description:	Ref. Part No:	No:	Description:
<i>Image 1:</i>			<b>Expanded Model Nomenclature</b>		
21	0121L00357	FILTER ANGLE-VERTICAL (RETURN SIDE) (M1)	M1 -	CPC0900164BAXCBB	
21	0121L00519	FILTER ANGLE-VERTICAL (RETURN SIDE) (M11, M12, M13, M14, M15, M16)	M2 -	CPC120XXX3BXXAB	
21	0121L00650	FILTER ANGLE-VERTICAL (RETURN SIDE) (M2, M3, M4, M5, M6, M7, M8, M9, M10)	M3 -	CPC120XXX4BXXAB	
31	0121L00210	EVAP EXTENSION-RETURN SIDE (M1, M2, M3, M4, M5, M6, M7, M8, M9, M10)	M4 -	CPC1200163BAABAB	
41	0121L00843	EVAP EXTENSION-HAIRPIN SIDE (M2, M3, M4, M5, M6, M7, M8, M9, M10)	M5 -	CPC1200163BXJXAB	
41	0121L00844	EVAP EXTENSION-HAIRPIN SIDE (M1)	M6 -	CPC1200164HXXAAB	
41	0121L00845	EVAP EXTENSION-HAIRPIN SIDE (M11, M12, M13, M14, M15, M16)	M7 -	CPC1200304BXXAB	
51	0121L00649	FILTER ANGLE - HORIZONTAL (M2, M3, M4, M5, M6, M7, M8, M9, M10)	M8 -	CPC1200304HXXAAB	
51	0121L00399	FILTER ANGLE-HORIZONTAL (M11, M12, M13, M14, M15, M16)	M9 -	CPC1200453BAAXAB	
51	0121L00932	FILTER ANGLE-HORIZONTAL (M1)	M10 -	CPC1200453BXAXAB	
61	0121L00648	FILTER ANGLE - HORIZONTAL (CENTER) (M2, M3, M4, M5, M6, M7, M8, M9, M10)	M11 -	CPC150XXX3BXXAB	
61	0121L00298	FILTER ANGLE-HORIZONTAL (CENTER) (M1)	M12 -	CPC150XXX3BXJXAB	
61	0270L00161	FILTER ANGLE-HORIZONTAL (CENTER) (M11, M12, M13, M14, M15, M16)	M13 -	CPC150XXX4BXACAB	
71	0121L00358	FILTER ANGLE-VERTICAL (HAIRPIN SIDE) (M1, M2, M3, M4, M5, M6, M7, M8, M9, M10)	M14 -	CPC1500303BXABAB	
71	0121L00520	FILTER ANGLE-VERTICAL (HAIRPIN SIDE) (M11, M12, M13, M14, M15, M16)	M15 -	CPC1500304HXXAAB	
81	0202L00007	TUBING ASSY, EVAP COIL (M2, M3, M4, M5, M6, M7, M8, M9, M10)	M16 -	CPC1500307BXXXAB	
81	0202L00041	TUBING ASSY, EVAP COIL (M1)			
81	0202L00044	TUBING ASSY, EVAP COIL (M11, M12, M13, M14, M15, M16)			
111	0121L00372	DRAIN PAN SUPPORT (M11, M12, M13, M14, M15, M16)			
111	0121L00508	DRAIN PAN SUPPORT (M1, M2, M3, M4, M5, M6, M7, M8, M9, M10)			
141	0161L00002	DRAIN PAN			
151	0121L00374	DECK SIDE CHANNEL			
161	0121L00365	ELECTRIC HEAT PANEL			
NS	0160L00021	AIR FILTER (M2, M3, M4, M5, M6, M7, M8, M9, M10)			
NS	B1369608	AIR FILTER 20 X 16 X 2 (M1)			
NS	B1369611	AIR FILTER 20 X 25 X 2 (M11, M12, M13, M14, M15, M16)			
NS	0162L00015	FLOWRATOR .078 [EVAP] (M1)			
NS	0162L00011	FLOWRATOR [EVAP] (M2, M3, M4, M5, M6, M7, M8, M9, M10)			
NS	0162M00129	FLOWRATOR [EVAP] (M11, M12, M13, M14, M15, M16)			

# Compressor / Condenser / Partition Assy



# Compressor / Condenser / Partition Assy

Ref. Part No: No:	Description:	Ref. Part No: No:	Description:
<b>Image 1:</b>		<b>Expanded Model Nomenclature</b>	
11	0201L00148	CONDENSER TUBING ASSY C1 (M11, M12)	M1 - CPC0900164BAXCBB
11	0201L00098	CONDENSER TUBING ASSY C1 COOL (M1)	M2 - CPC120XXX3BXXBAB
11	0201L00029	TUBING ASSY, COND COIL (M2, M3, M5, M7)	M3 - CPC120XXX4BXXBAB
11	0201L00080	TUBING ASSY, COND COIL (M13, M14, M15, M16)	M4 - CPC1200163BAABAB
11	0201L00097	TUBING ASSY, COND COIL C2 (M4, M6, M8, M9, M10)	M5 - CPC1200163BXJXAB
171	0121L00090	BLOWER TRANSITION, RH END (M1)	M6 - CPC1200164HXXAAB
171	0121L00168	BLOWER TRANSITION, RH END (M2, M3, M4, M5, M6, M7, M8, M9, M10, M11, M12, M13, M14, M15, M16)	M7 - CPC1200304BXXBAB
191	0121L00092	BLOWER TRANSITION, FRONT	M8 - CPC1200304HXXAAB
201	0121L00928	DECK-BLOWER	M9 - CPC1200453BAAXAB
211	0121L00097	BLOWER TRANSITION, LH END (M1)	M10 - CPC1200453BXAXAB
211	0121L00169	BLOWER TRANSITION, LH END (M2, M3, M4, M5, M6, M7, M8, M9, M10, M11, M12, M13, M14, M15, M16)	M11 - CPC150XXX3BXXBAB
221	0121L00094	BLOWER TRANSITION, BACK (M2, M3, M4, M5, M6, M7, M8, M9, M10, M11, M12, M13, M14, M15, M16)	M12 - CPC150XXX3BXJXAB
221	0121L00145	BLOWER TRANSITION, BACK (M1)	M13 - CPC150XXX4BXACAB
241	ZP39K5ETFD130	COMPRESSOR 39000, 460/60/3 (M1)	M14 - CPC1500303BXABAB
241	ZP51K5ETF5130	COMPRESSOR 51000, 208/230/60/3 (M2, M4, M5, M9, M10)	M15 - CPC1500304HXXAAB
241	ZP51K5ETFD130	COMPRESSOR 51000, 460/60/3 (M3, M6, M7, M8)	M16 - CPC1500307BXXXAB
241	ZP67KCETFD130	COMPRESSOR 67000, 460/60/3 (M13, M15)	
241	ZP67KCETF5130	COMPRESSOR 67500, 200/230/60/3 (M11, M12, M14)	
241	ZP67KCETF5130	COMPRESSOR 67500, 575/60/3 (M16)	
251	0159L00004	COMPRESSOR SCROLL HARNESS (M1, M2, M3, M4, M5, M6, M7, M8, M9, M10, M13, M15, M16)	
251	0159L00009	COMPRESSOR SCROLL HARNESS (M11, M12, M14)	
261	M0221641	TF SHOULDER SCREW (QTY 8)	
271	B1339533	COMPRESSOR GROMMET (QTY 8)	
281	0121L00408	COMPRESSOR MOUNTING PLATE (QTY 2)	
291	0159L00005	COMPRESSOR SCROLL HARNESS (M1, M2, M3, M4, M5, M6, M7, M8, M9, M10)	
291	0159L00033	COMPRESSOR SCROLL HARNESS (M11, M12, M14)	
291	0159L00035	COMPRESSOR SCROLL HARNESS (M13, M15, M16)	
301	0201L00099	CONDENSER TUBING ASSY C2 (M1)	
301	0201L00149	CONDENSER TUBING ASSY C2 (M11, M12)	
301	0201L00028	TUBING ASSY, COND COIL (M2, M3, M5, M7)	
301	0201L00081	TUBING ASSY, COND COIL (M13, M14, M15, M16)	
301	0201L00096	TUBING ASSY, COND COIL C1 (M4, M6, M8, M9, M10)	
NS	0162L00006	FLOWRATOR [COND] (M2, M3, M4, M5, M6, M7, M8, M9, M10)	

# Belt Drive Blower and Control Box Assy

Image 1

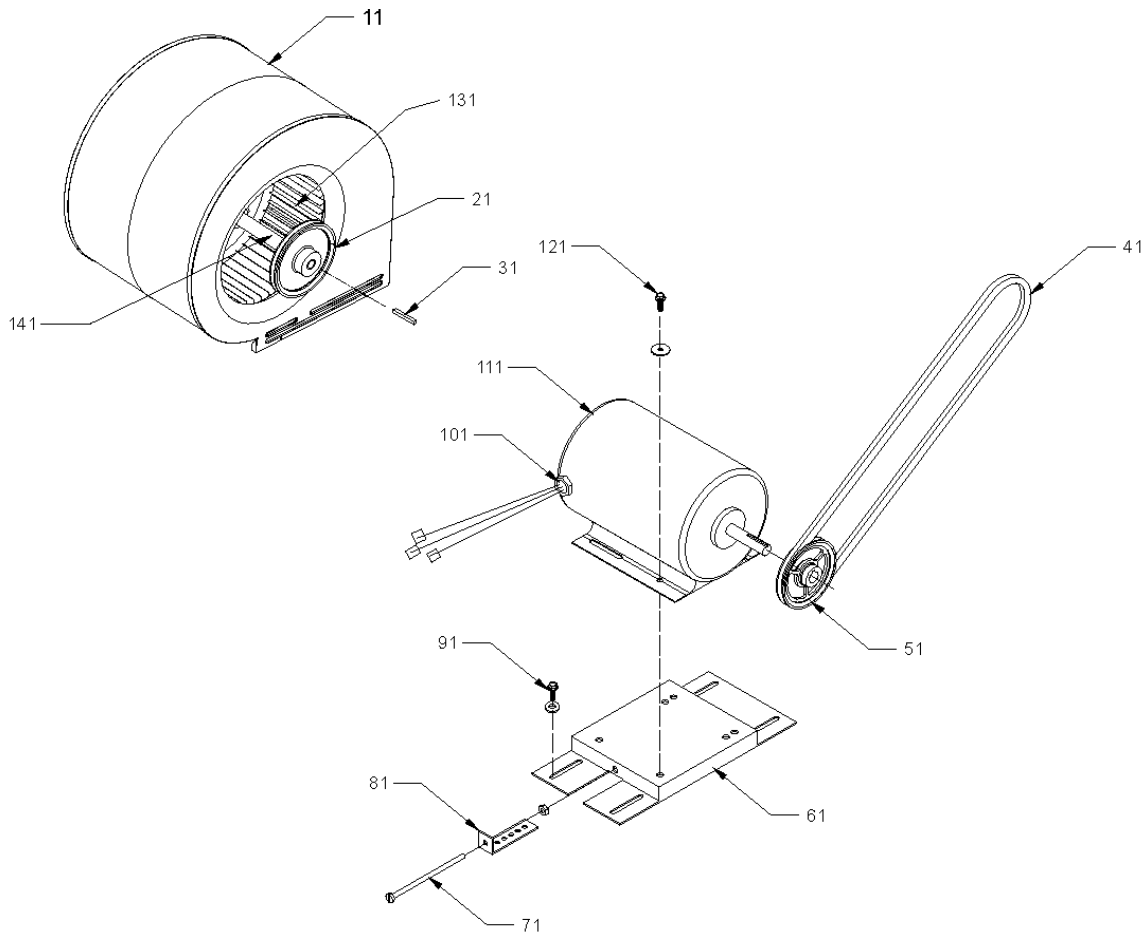
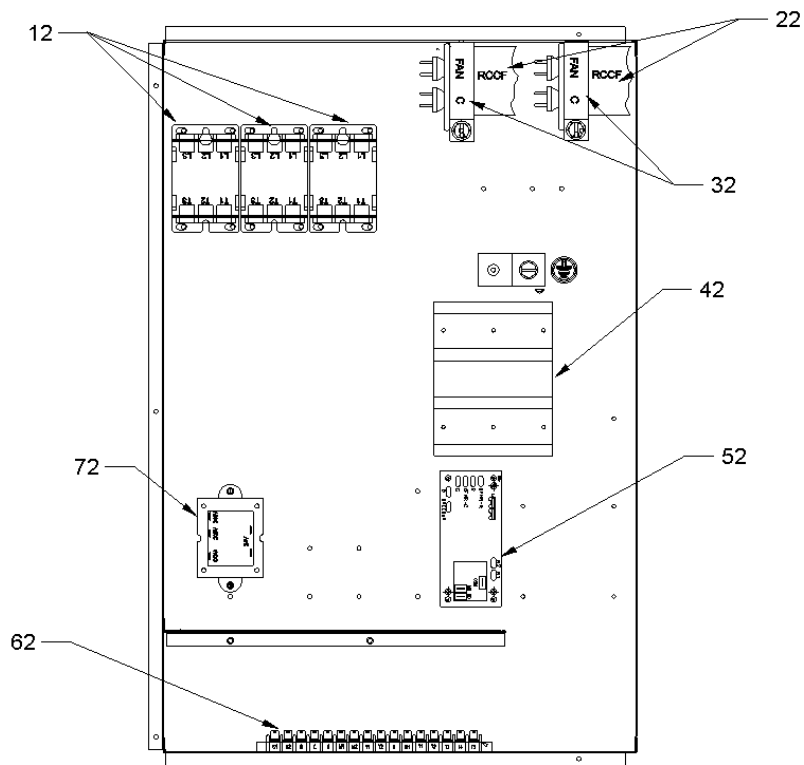


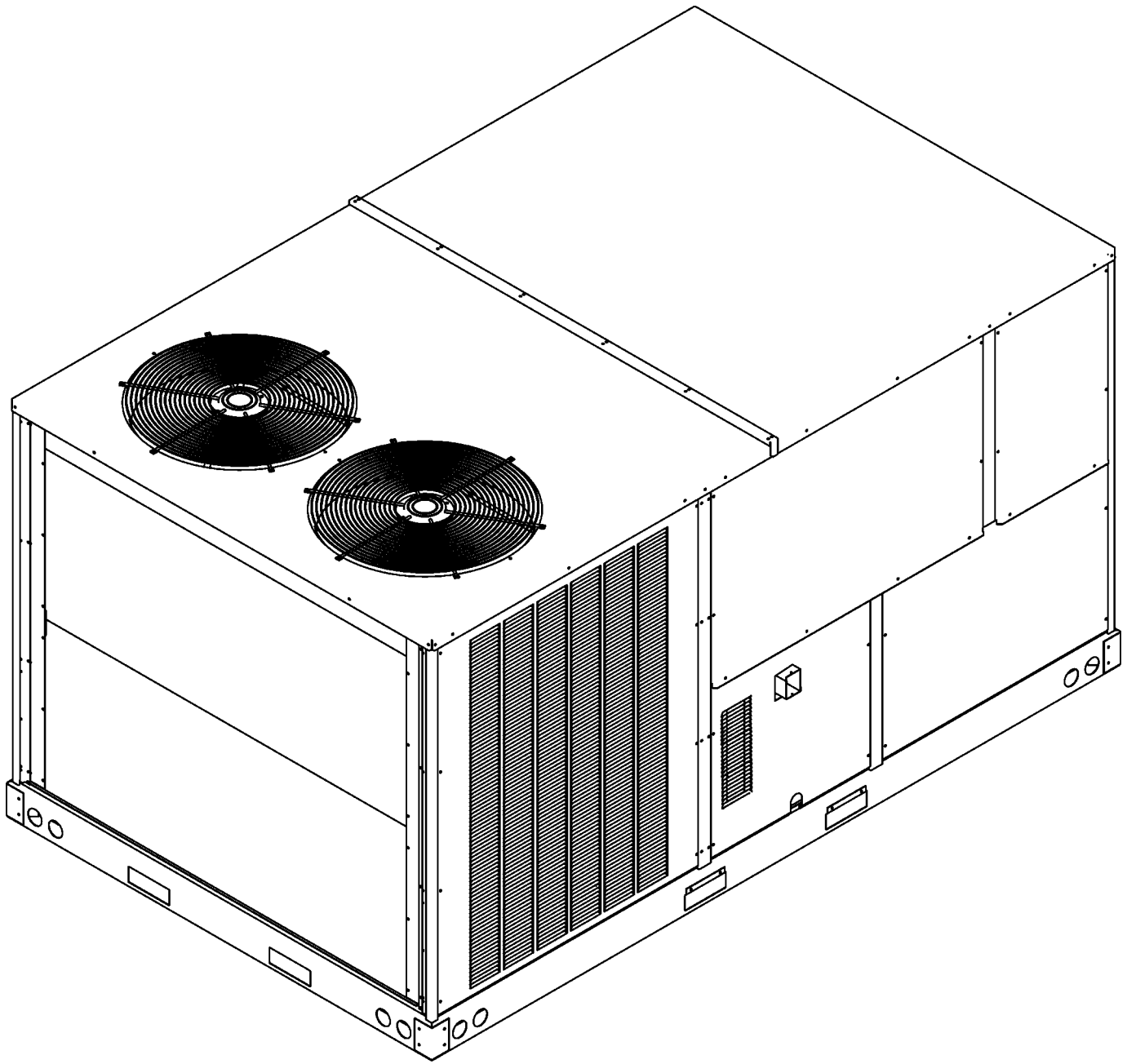
Image 2



# Belt Drive Blower and Control Box Assy

Ref. Part No: No:	Description:	Ref. Part No: No:	Description:
<b>Image 1:</b>		<b>Image 2:</b>	
11	04-01525 BLOWER HOUSING (M1)	NS	0259L00098 ECONOMIZER HARNESS (M11, M12, M13, M14, M15, M16)
11	04-01526 BLOWER HOUSING (M2, M3, M4, M5, M6, M7, M8, M9, M10, M11, M12, M13, M14, M15, M16)	NS	0259L00032 LCM HARNESS, ELECTRIC HEAT
21	B3204303 FIXED SHEAVE AK61 (M6, M8)	NS	0259L00087 POWER HARNESS
21	B3204310 FIXED SHEAVE AK66 (M11, M12, M13, M14, M15, M16)	<b>Expanded Model Nomenclature</b>	
21	0163L00011 FIXED SHEAVE AK74 (M1, M2, M3, M4, M5, M7, M9, M10)	<div style="border: 1px solid black; padding: 5px;"> M1 - CPC0900164BAXCBB  M2 - CPC120XXX3BXXAB  M3 - CPC120XXX4BXXAB  M4 - CPC1200163BAABAB  M5 - CPC1200163BXJXAB  M6 - CPC1200164HXXAAB  M7 - CPC1200304BXXAB  M8 - CPC1200304HXXAAB  M9 - CPC1200453BAAXAB  M10 - CPC1200453BXAXAB  M11 - CPC150XXX3BXXAB  M12 - CPC150XXX3BXJXAB  M13 - CPC150XXX4BXACAB  M14 - CPC1500303BXABAB  M15 - CPC1500304HXXAAB  M16 - CPC1500307BXXXAB </div>	
31	B1398604 STEEL KEY (000158812) 2.0"		
41	0164L00001 NOTCHED FAN BELT AX49 (M11, M12, M13, M14, M15, M16)		
41	0164L00000 NOTCHED FAN BELT AX51 (M1, M2, M3, M4, M5, M6, M7, M8, M9, M10)		
51	0163L00035 VARIABLE PITCH SHEAVE (M15)		
51	B2120014 VARIABLE PITCH SHEAVE 1VL44 X 7/8" (M6, M8)		
51	0163L00012 VARIABLE PITCH SHEAVE VL40		
61	0270L00015 MOTOR BASE ASSY		
71	0163M00045 BOLT 1/4-20 X 4"		
81	3225000F BELT TIGHTENER ANGLE		
91	B1446707 SCREW 5/16-18 X 1" (QTY 4)		
101	B1393726 ELECT. CONNECTING BUSHING		
111	B3240007 BELT DRIVE MOTOR 1.5 HP (M1)		
111	B3240004 BELT DRIVE MOTOR 2 HP (M6, M11, M12, M13, M14)		
111	B3240006 BELT DRIVE MOTOR 2 HP (M2, M3, M4, M5, M7, M8, M9, M10)		
111	0131L00006 BELT DRIVE MOTOR 3 HP 575 V (M16)		
111	0131M00274 COND MOTOR 5.0 HP (M15)		
121	B1393738 BOLT 1/4-20 X 3/4" (QTY 4)		
131	03-77429 BLOWER WHEEL (M1)		
131	03-78497 BLOWER WHEEL (M2, M3, M4, M5, M6, M7, M8, M9, M10, M11, M12, M13, M14, M15, M16)		
141	04-11525 BLOWER SHAFT (M1)		
141	04-11526 BLOWER SHAFT (M2, M3, M4, M5, M6, M7, M8, M9, M10, M11, M12, M13, M14, M15, M16)		
NS	04-02196 BEARING & FRAME ASSY (M2, M3, M4, M5, M6, M7, M8, M9, M10, M11, M12, M13, M14, M15, M16)		
NS	04-02196 BEARING & FRAME ASSY (M1)		
NS	0259L00008 MOTOR HARNESS-BELT DRIVE		
<b>Image 2:</b>			
12	CONT3P025024V CONTACTOR 25 AMP, 3P, 24V (M1, M2, M3, M4, M5, M6, M7, M8, M9, M10, M13, M15, M16)		
12	CONT3P030024V CONTACTOR 30 AMP, 3P, 24V (M11, M12, M14)		
22	CAP050000370VA CAPACITOR 5/370V (QTY 2)		
32	20520901 CAPACITOR STRAP (QTY 2)		
42	16330-3 POWER BLOCK		
52	PCBFM131 ELECTRONIC BLOWER TIME DELAY		
62	0130M00038 TERMINAL BOARD		
72	B1141653 TRANSFORMER 480V, 75VA, RESETTABLE (M1, M3, M6, M7, M8, M13, M15)		
72	B1141672 TRANSFORMER 480V, 75VA, RESETTABLE (M2, M4, M5, M9, M10, M11, M12, M14)		
72	0130M00045 TRANSFORMER 575/24V (M16)		
NS	0259L00019 CONTROL HARNESS		
NS	0259L00030 ECONOMIZER HARNESS (M1, M2, M3, M4, M5, M6, M7, M8, M9, M10)		

# ACCESSORY PARTS



# ACCESSORY PARTS

Ref. Part No:	Part No:	Description:	Ref. Part No:	Part No:	Description:
---------------	----------	--------------	---------------	----------	--------------

**Image 1:**

NS	0130M00065	CIRCUIT BREAKER, CONVENIENCE OUTLET (M4, M6, M8, M14)
NS	0270L00274	CONVENIENCE OUTLET ASSY-NP (M4, M6, M8)
NS	0270L00279	CONVENIENCE OUTLET ASSY-NP (M14)
NS	DNECONGS90120	ECONOMIZER DOWNFLOW GAS/AC (M1, M4, M9)
NS	HAILGD02FI	HAIL GUARD ASSY (M2, M3, M4, M7, M9, M10)
NS	HAILGD05FI	HAIL GUARD ASSY (M11, M13, M14)
NS	LAKT03	LOW AMBIENT KIT (M1, M13)
NS	0130M00061	TRANSFORMER, CONVENIENCE OUTLET (M4, M6, M8, M14)

**Expanded Model Nomenclature**

- M1 - CPC0900164BAXCBB
- M2 - CPC120XXX3BXXAB
- M3 - CPC120XXX4BXXAB
- M4 - CPC1200163BAABAB
- M5 - CPC1200163BXJXAB
- M6 - CPC1200164HXXAAB
- M7 - CPC1200304BXXAB
- M8 - CPC1200304HXXAAB
- M9 - CPC1200453BAAXAB
- M10 - CPC1200453BXAXAB
- M11 - CPC150XXX3BXXAB
- M12 - CPC150XXX3BXJXAB
- M13 - CPC150XXX4BXACAB
- M14 - CPC1500303BXABAB
- M15 - CPC1500304HXXAAB
- M16 - CPC1500307BXXXAB