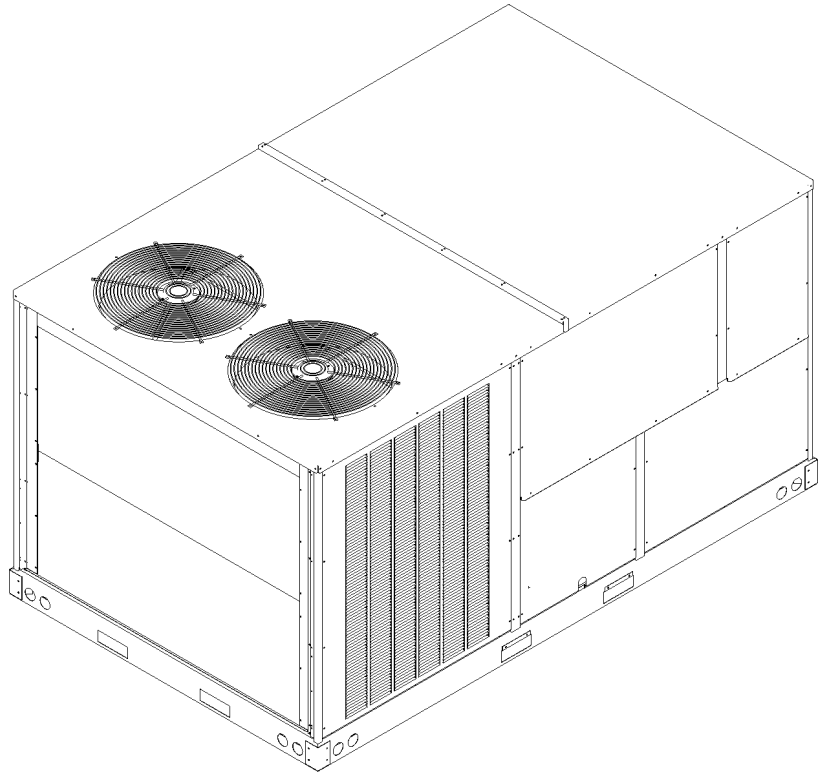


REPAIR PARTS

Commercial 7.5-12.5 Ton Package Cooling Units

CPC0900304HXBxBB
CPC090XXX3BXXXBB
CPC090XXX4BXXXBB
CPC090XXX7BXXXBB
CPC102XXX3BXXXAB
CPC102XXX4BXXXAB
CPC102XXX7BXXXAB
CPC120XXX3BXJXAB
CPC120XXX3BXXXAB
CPC120XXX3HXXXAB
CPC120XXX4BXJXAB
CPC120XXX4BXXBAB
CPC120XXX4BXXXAB
CPC120XXX4HXXXAB
CPC120XXX7BXJXAB
CPC120XXX7BXXXAB
CPC1500304BHxDAB
CPC150XXX3BXXXAB
CPC150XXX3BXXZAB
CPC150XXX4BAXXAB
CPC150XXX4BHxDAB
CPC150XXX4BXXBAB
CPC150XXX4BXXXAB
CPC150XXX7BXXXAB



This manual is to be used by qualified technicians only.

This manual replaces RP-714D.

© 2012-2014, 2016 Goodman Manufacturing Company, L.P. ♦ 5151 San Felipe St., Suite 500 ♦ Houston, TX 77056

Important Information

Index

| | |
|------------------------------|--------|
| Functional Parts List | 3 |
| Illustration and Parts | 4 - 15 |

Views shown are for parts illustrations only, not servicing procedures

Text Codes:

AR - As Required

NA - Not Available

NS - Not Shown

00000000 - See Note

QTY - Quantity Example (QTY 3) (If Quantity not shown, Quantity = 1)

M - Model Example (M1) (If M Code not shown, then part is used on all Models)

Expanded Model Nomenclature:

| |
|---|
| Example M1 - Model#1 M2 - Model#2 M3 - Model#3 |
|---|

Goodman Manufacturing Company, L.P. is not responsible for personal injury or property damage resulting from improper service. Review all service information before beginning repairs.

Warranty service must be performed by an authorized technician, using authorized factory parts. If service is required after the warranty expires, Goodman Manufacturing Company, L.P. also recommends contacting an authorized technician and using authorized factory parts.

Goodman Manufacturing Company, L.P. reserves the right to discontinue, or change at any time, specifications or designs without notice or without incurring obligations.

For assistance within the U.S.A. contact:
Homeowner Support
Goodman Manufacturing Company, L.P.
19001 Kermier Road
Waller, Texas 77484
877-254-4729-Telephone
713-863-2382-Facsimile

For assistance outside the U.S.A. contact:
International Division
Goodman Manufacturing Company, L.P.
19001 Kermier Road
Waller, Texas 77484
713-861-2500-Telephone
713-863-2382-Facsimile

Functional Parts

Part

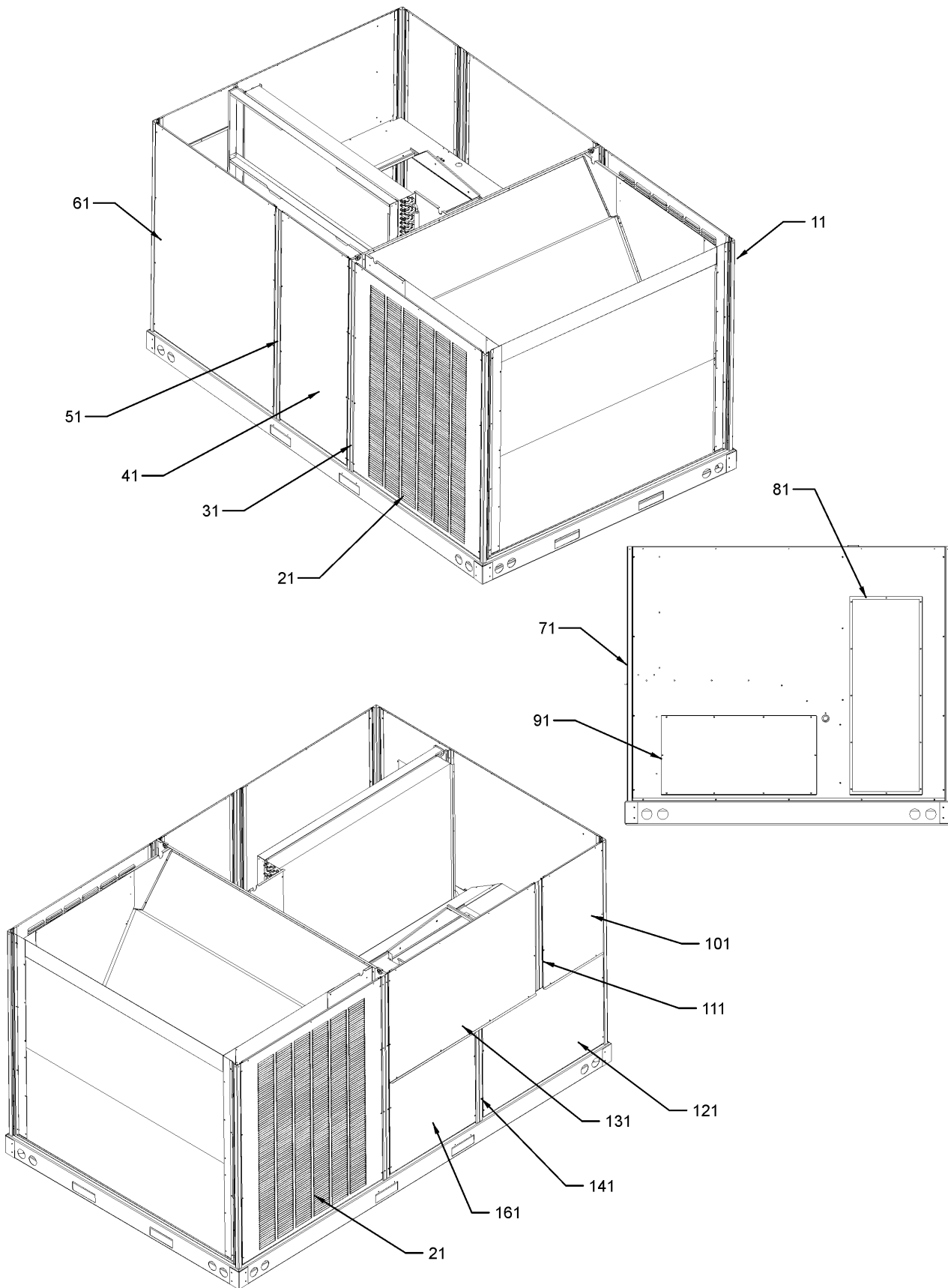
No: Description:

| Part No: | Description: | Part No: | Description: |
|----------------|---|------------|---|
| B3240007 | BELT DRIVE MOTOR 1.5 HP (M1, M2, M4) | 0164L00000 | NOTCHED FAN BELT AX51 (M1, M2, M3, M4, M5, M6, M7, M8, M9, M11, M12, M13, M15, M16) |
| 0131L00004 | BELT DRIVE MOTOR 1.5 HP 575V (M3) | 0130M00038 | TERMINAL BOARD |
| B3240006 | BELT DRIVE MOTOR 2 HP (M5, M6, M8, M9, M11, M12, M13) | 0130M00144 | TRANSFORMER (M1, M5, M8, M9, M10, M17, M18) |
| B3240004 | BELT DRIVE MOTOR 2 HP (M10, M14, M17, M18, M19, M20, M21, M22, M24) | 0130M00145 | TRANSFORMER 480V to 24V, 75VA (M2, M4, M6, M11, M12, M13, M14, M19, M20, M21, M22, M24) |
| 0131L00005 | BELT DRIVE MOTOR 2 HP 575 V (M7, M15, M16) | 0130M00148 | TRANSFORMER 575V to 24V, 75VA (M3, M7, M15, M16, M23) |
| 0131L00006 | BELT DRIVE MOTOR 3 HP 575 V (M23) | | |
| CAP050000370LA | CAPACITOR 5/370V (QTY 2) | | |
| ZP39K5ETF5130 | COMPRESSOR 39000, 200/230/60/3 (M1) | | |
| ZP39K5ETFD130 | COMPRESSOR 39000, 460/60/3 (M2, M4) | | |
| ZP39K5ETFE130 | COMPRESSOR 39000, 575/60/3 (M3) | | |
| ZP44K5ETF5130 | COMPRESSOR 44000, 200/230/60/3 (M5) | | |
| ZP44K5ETFD130 | COMPRESSOR 44000, 460/60/3 (M6) | | |
| ZP44K5ETFE130 | COMPRESSOR 44000, 575/60/3 (M7) | | |
| ZP51K5ETF5130 | COMPRESSOR 51000, 208/230/60/3 (M8, M9, M10) | | |
| ZP51K5ETFD130 | COMPRESSOR 51000, 460/60/3 (M11, M12, M13, M14) | | |
| ZP51K5ETFE130 | COMPRESSOR 51000, 575/60/3 (M15, M16) | | |
| ZP67KCETFD130 | COMPRESSOR 67000, 460/60/3 (M19, M20, M21, M22, M24) | | |
| ZP67KCETF5130 | COMPRESSOR 67500, 200/230/60/3 (M17, M18) | | |
| ZP67KCETFE130 | COMPRESSOR 67500, 575/60/3 (M23) | | |
| 0131M00430 | COND MOTOR 1/3 HP, 1 SP, 6 PL (M8, M9, M10, M17, M18) | | |
| B13400249 | COND MOTOR 1/3 HP, 460V (M11, M12, M13, M14, M19, M20, M21, M22, M24) | | |
| 0131M00179 | COND MOTOR 1/3 HP, 6 PL, 575V (M15, M16, M23) | | |
| 0131M00429 | COND MOTOR 1/4 HP, 1 SP, 6 PL (M1, M5) | | |
| B13400269 | COND MOTOR 380/460 50/60 CYCLE (M2, M4, M6) | | |
| 0131M00098 | COND MOTOR 575V (M3, M7) | | |
| CONT3P025024V | CONTACTOR 25 AMP, 3P, 24V (M1, M2, M3, M4, M5, M6, M7, M8, M9, M10, M11, M12, M13, M14, M15, M16, M19, M20, M21, M22, M23, M24) | | |
| CONT3P030024V | CONTACTOR 30 AMP, 3P, 24V (M17, M18) | | |
| 0130M00031 | CUT-OUT SWITCH, HIGH PRESSURE (M1, M2, M3, M4, M5, M6, M7, M8, M9, M10, M11, M12, M13, M14, M15, M16) | | |
| 0130M00030 | CUT-OUT SWITCH, HIGH PRESSURE (M1, M2, M3, M4, M5, M6, M7, M8, M9, M10, M11, M12, M13, M14, M15, M16) | | |
| 0130M00074 | CUT-OUT SWITCH, HIGH PRESSURE (M17, M18, M19, M20, M21, M22, M23, M24) | | |
| 0130M00075 | CUT-OUT SWITCH, LOW PRESSURE (M17, M18, M19, M20, M21, M22, M23, M24) | | |
| 0130L00003 | CUT-OUT SWITCH, LOW PRESSURE (M1, M2, M3, M4, M5, M6, M7, M8, M9, M10, M11, M12, M13, M14, M15, M16) | | |
| 0130L00002 | CUT-OUT SWITCH, LOW PRESSURE (M1, M2, M3, M4, M5, M6, M7, M8, M9, M10, M11, M12, M13, M14, M15, M16) | | |
| PCBFM103 | ELECTRONIC BLOWER TIME DELAY | | |
| 0150G00001 | FAN BLADE (M1, M2, M3, M4, M5, M6, M7) | | |
| 10625733 | FAN BLADE 22" ALUM CCW (M8, M9, M10, M11, M12, M13, M14, M15, M16, M17, M18, M19, M20, M21, M22, M23, M24) | | |
| 0164L00001 | NOTCHED FAN BELT AX49 (M10, M14, M17, M18, M19, M20, M21, M22, M23, M24) | | |

Expanded Model Nomenclature

| |
|-------------------------|
| M1 - CPC090XXX3BXXXBB |
| M2 - CPC090XXX4BXXXBB |
| M3 - CPC090XXX7BXXXBB |
| M4 - CPC0900304HXBXB |
| M5 - CPC102XXX3BXXXAB |
| M6 - CPC102XXX4BXXXAB |
| M7 - CPC102XXX7BXXXAB |
| M8 - CPC120XXX3BXJXAB |
| M9 - CPC120XXX3BXXXAB |
| M10 - CPC120XXX3HXXXAB |
| M11 - CPC120XXX4BXJXAB |
| M12 - CPC120XXX4BXXBAB |
| M13 - CPC120XXX4BXXXAB |
| M14 - CPC120XXX4HXXXAB |
| M15 - CPC120XXX7BXJXAB |
| M16 - CPC120XXX7BXXXAB |
| M17 - CPC150XXX3BXXXAB |
| M18 - CPC150XXX3BXXZAB |
| M19 - CPC150XXX4BAXXAB |
| M20 - CPC150XXX4BHDXDAB |
| M21 - CPC150XXX4BXXBAB |
| M22 - CPC150XXX4BXXXAB |
| M23 - CPC150XXX7BXXXAB |
| M24 - CPC1500304BHDXDAB |

Cabinet Assy



Cabinet Assy

| Ref. Part No: No: | Description: | Ref. Part No: No: | Description: |
|-------------------|--|------------------------------------|--------------|
| Image 1: | | Expanded Model Nomenclature | |
| 11 | 0121L00065RFDG CORNER POST (M1, M2, M3, M4, M5, M6, M7, M8, M9, M10, M11, M12, M13, M14, M15, M16) | M1 - CPC090XXX3BXXXBB | |
| 11 | 0121L00979RFDG CORNER POST, RF PNT (M17, M18, M19, M20, M21, M22, M23, M24) | M2 - CPC090XXX4BXXXBB | |
| 21 | 0152L00001 GRILLE-CONDENSER (M17, M18, M19, M20, M21, M22, M23, M24) | M3 - CPC090XXX7BXXXBB | |
| 21 | 0121L00511DG LOUVERED SIDE PANEL (M1, M2, M3, M4, M5, M6, M7, M8, M9, M10, M11, M12, M13, M14, M15, M16) | M4 - CPC0900304HXBXXB | |
| 31 | 0121L00738RFDG ROLL FORM SIDE POST (M1, M2, M3, M4, M5, M6, M7, M8, M9, M10, M11, M12, M13, M14, M15, M16) | M5 - CPC102XXX3BXXXAB | |
| 31 | 0121L00980RFDG ROLL FORM SIDE POST (M17, M18, M19, M20, M21, M22, M23, M24) | M6 - CPC102XXX4BXXXAB | |
| 41 | 0121L00759DG DOOR-FILTER (M19) | M7 - CPC102XXX7BXXXAB | |
| 41 | 0121L00737DG FILTER DOOR (M1, M2, M3, M4, M5, M6, M7, M8, M9, M10, M11, M12, M13, M14, M15, M16) | M8 - CPC120XXX3BXJXAB | |
| 51 | 0121L00739RFDG ROLLED FORM, FILTER DOOR POST (M1, M2, M3, M4, M5, M6, M7, M8, M9, M10, M11, M12, M13, M14, M15, M16) | M9 - CPC120XXX3BXXXAB | |
| 51 | 0121L00757RFDG ROLLED FORM, FILTER DOOR POST (M17, M18, M19, M20, M21, M22, M23, M24) | M10 - CPC120XXX3HXXXAB | |
| 61 | 0121L00378DG DOOR-ECONOMISER (M17, M18, M19, M20, M21, M22, M23, M24) | M11 - CPC120XXX4BXJXAB | |
| 61 | 0121L00510DG DOOR-ECONOMISER (M1, M2, M3, M4, M5, M6, M7, M8, M9, M10, M11, M12, M13, M14, M15, M16) | M12 - CPC120XXX4BXXBAB | |
| 71 | 0121L00486DG DUCT PANEL (M17, M18, M19, M20, M21, M22, M23, M24) | M13 - CPC120XXX4BXXXAB | |
| 71 | 0121L00506DG DUCT PANEL (M12) | M14 - CPC120XXX4HXXXAB | |
| 81 | 0121L00082DG RETURN DUCT COVER | M15 - CPC120XXX7BXJXAB | |
| 91 | 0121L00099DG SUPPLY DUCT COVER | M16 - CPC120XXX7BXXXAB | |
| 101 | 0121L00764DG DOOR-CONTROL (M1, M2, M3, M4, M5, M6, M7, M8, M9, M10, M11, M12, M13, M14, M15, M16) | M17 - CPC150XXX3BXXXAB | |
| 101 | 0121L00821DG DOOR-CONTROL (M17, M18, M19) | M18 - CPC150XXX3BXXZAB | |
| 111 | 0121L00817RFDG RF, CONTROL POST (M17, M18, M19, M20, M21, M22, M23, M24) | M19 - CPC150XXX4BAXXAB | |
| 111 | 0121L00762RFDG RF, POST, CONTROL BOX (M1, M2, M3, M4, M5, M6, M7, M8, M9, M10, M11, M12, M13, M14, M15, M16) | M20 - CPC150XXX4BHXDAB | |
| 121 | 0121L00767DG DOOR-HEAT EXCHANGER | M21 - CPC150XXX4BXXBAB | |
| 131 | 0121L00763DG BLOWER DOOR (M1, M2, M3, M4, M5, M6, M7, M8, M9, M10, M11, M12, M13, M14, M15, M16) | M22 - CPC150XXX4BXXXAB | |
| 131 | 0121L00819DG BLOWER DOOR (M17, M18, M19) | M23 - CPC150XXX7BXXXAB | |
| 141 | 17788000083F PVC CONDUIT 8.25" (QTY 2) | M24 - CPC1500304BHXDAB | |
| 161 | 0121L00828DG DOOR, BURNER AREA | | |

Top Panel / Tubing Assy

Image 1

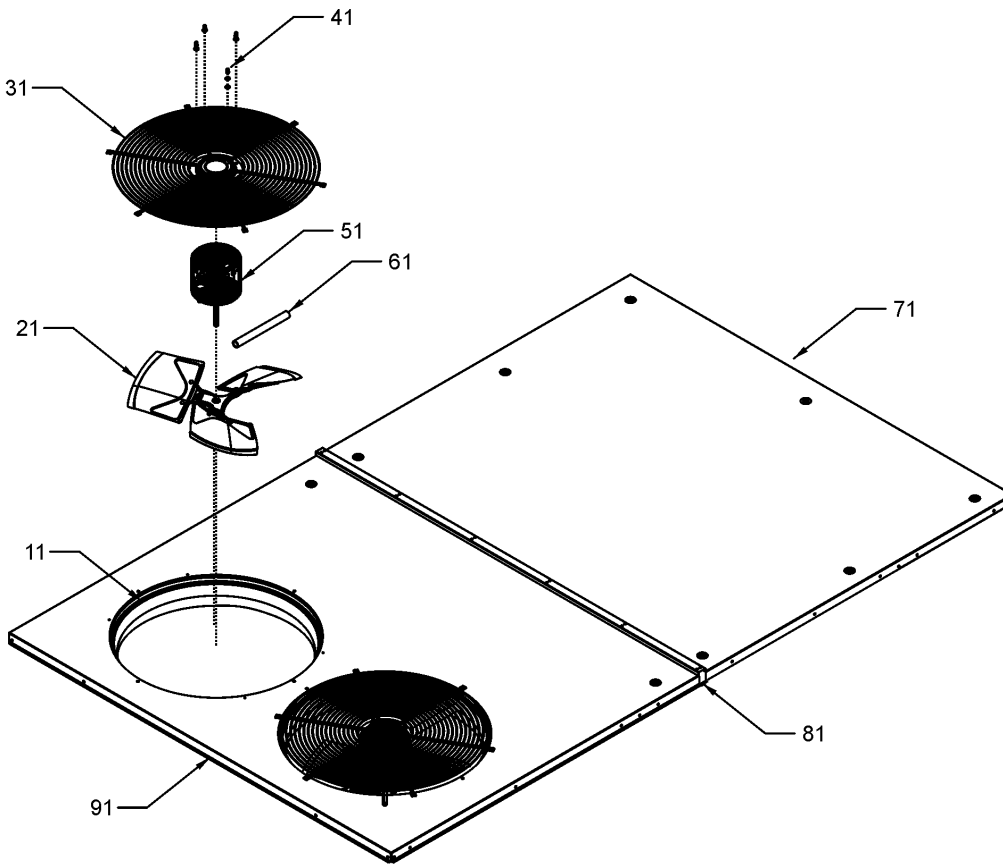
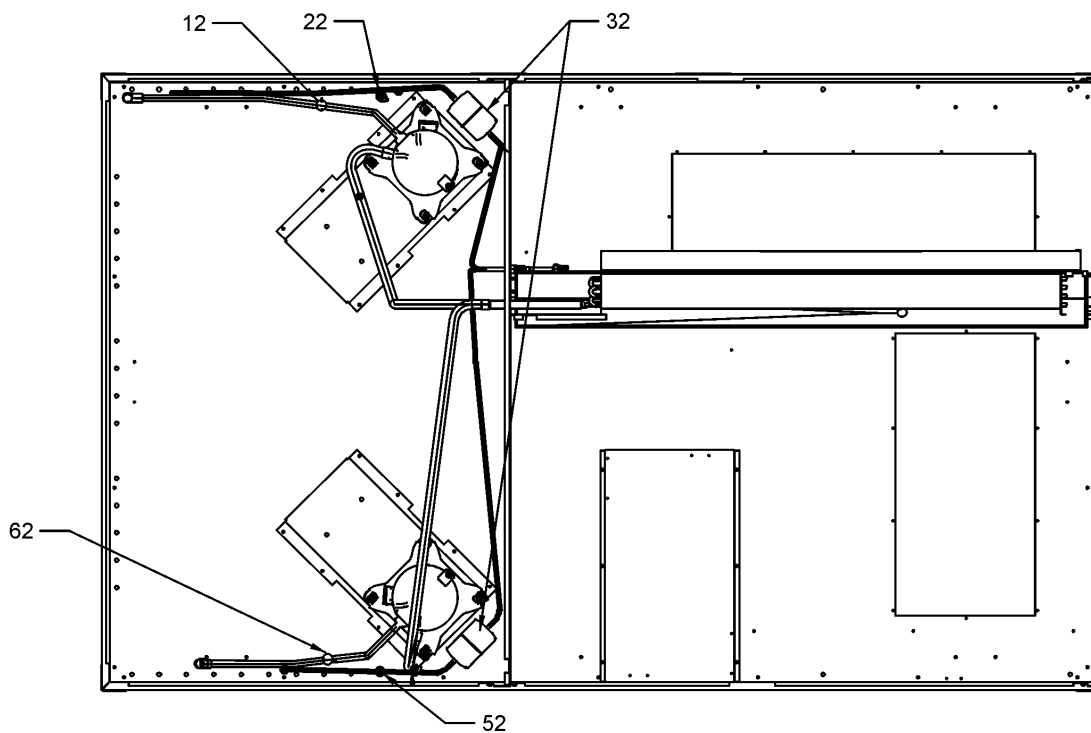


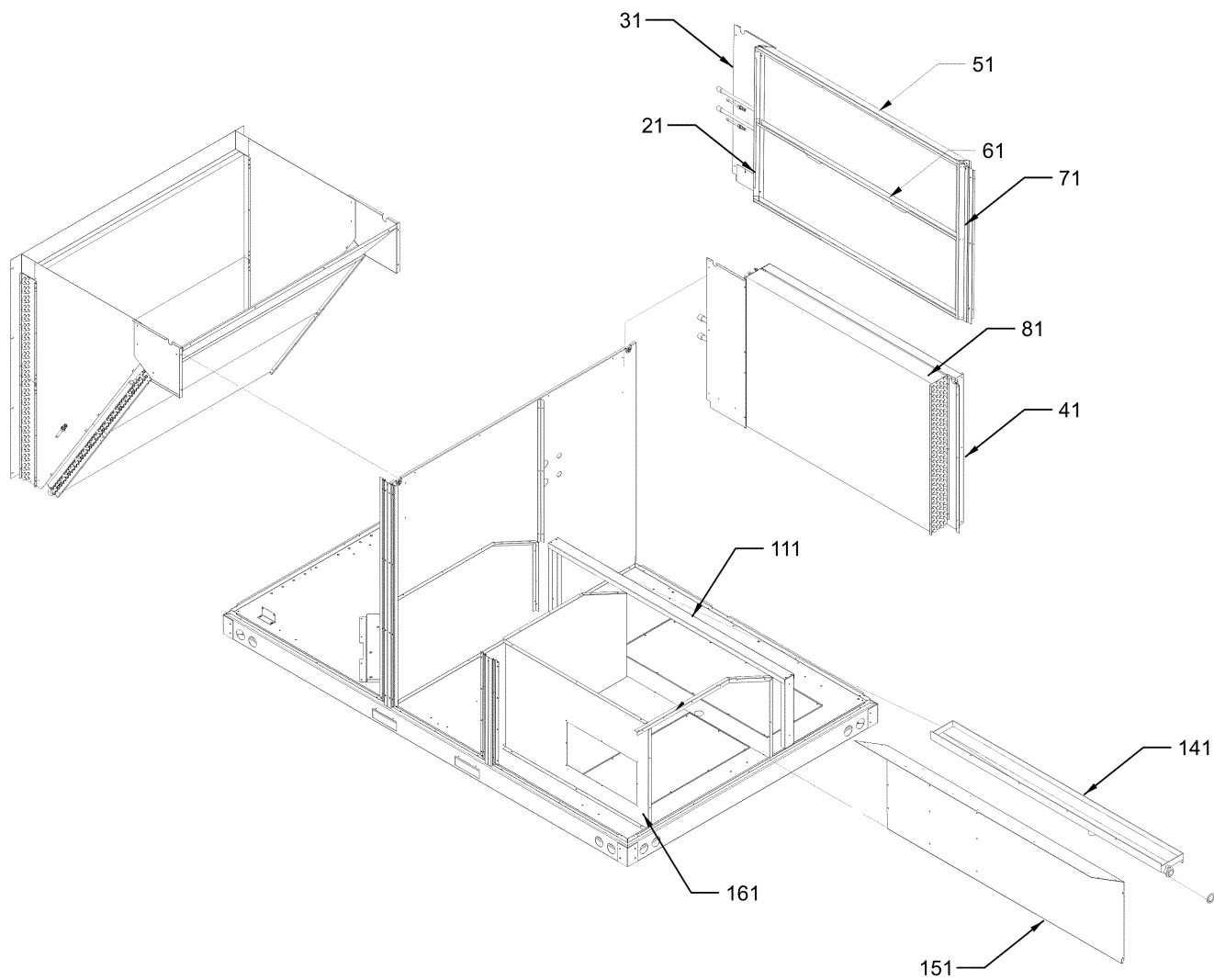
Image 2



Top Panel / Tubing Assy

| Ref. Part No: No: | Description: | Ref. Part No: No: | Description: | | |
|-------------------|---|---|--|--|--|
| Image 1: | | Image 2: | | | |
| 11 | 0161L00000 VENTURI RING 22" (M1, M2, M3, M4, M5, M6, M7) | NS | 0163M00175 CAP WITH O-RING (M1, M2, M3, M4, M5, M6, M7, M8, M9, M10, M11, M12, M13, M14, M15, M16) | | |
| 21 | 0150G00001 FAN BLADE (M1, M2, M3, M4, M5, M6, M7) | Expanded Model Nomenclature M1 - CPC090XXX3BXXXBB M2 - CPC090XXX4BXXXBB M3 - CPC090XXX7BXXXBB M4 - CPC0900304HXBxBB M5 - CPC102XXX3BXXXAB M6 - CPC102XXX4BXXXAB M7 - CPC102XXX7BXXXAB M8 - CPC120XXX3BXJXAB M9 - CPC120XXX3BXXXAB M10 - CPC120XXX3HXXXAB M11 - CPC120XXX4BXJXAB M12 - CPC120XXX4BXXBAB M13 - CPC120XXX4BXXXAB M14 - CPC120XXX4HXXXAB M15 - CPC120XXX7BXJXAB M16 - CPC120XXX7BXXXAB M17 - CPC150XXX3BXXXAB M18 - CPC150XXX3BXXZAB M19 - CPC150XXX4BAXXAB M20 - CPC150XXX4BHXDAB M21 - CPC150XXX4BXXBAB M22 - CPC150XXX4BXXXAB M23 - CPC150XXX7BXXXAB M24 - CPC1500304BHXDAB | | | |
| 21 | 10625733 FAN BLADE 22" ALUM CCW (M8, M9, M10, M11, M12, M13, M14, M15, M16, M17, M18, M19, M20, M21, M22, M23, M24) | | | | |
| 31 | 0152G00003 FAN GRILLE (QTY 2) | | | | |
| 41 | 0163M00006P ACORN NUT 5/16 HEX BLACK (QTY 8) | | | | |
| 51 | 0131M00430 COND MOTOR 1/3 HP, 1 SP, 6 PL (M8, M9, M10, M17, M18) | | | | |
| 51 | B13400249 COND MOTOR 1/3 HP, 460V (M11, M12, M13, M14, M19, M20, M21, M22, M24) | | | | |
| 51 | 0131M00179 COND MOTOR 1/3 HP, 6 PL, 575V (M15, M16, M23) | | | | |
| 51 | 0131M00429 COND MOTOR 1/4 HP, 1 SP, 6 PL (M1, M5) | | | | |
| 51 | B13400269 COND MOTOR 380/460 50/60 CYCLE (M2, M4, M6) | | | | |
| 51 | 0131M00098 COND MOTOR 575V (M3, M7) | | | | |
| 61 | 0259L00087 POWER HARNESS | | | | |
| 71 | 0121L00497DG EVAP TOP PANEL | | | | |
| 81 | 0121L00121 SPLICE-COND PLATE (M8, M9, M10, M11, M12, M13, M14, M15, M16, M17, M18, M19, M20, M21, M22, M23, M24) | | | | |
| 91 | 0121L01014DG TOP PANEL | | | | |
| NS | 0259L00096 COND MOTOR HARNESS (M17, M18, M23) | | | | |
| NS | 0259L00097 COND MOTOR HARNESS (M19, M20, M21, M22, M24) | | | | |
| NS | 0259L00025 COND MOTOR HARNESS 230V (M1, M3, M5, M7, M8, M9, M10, M15, M16) | | | | |
| NS | 0259L00027 COND MOTOR HARNESS 230V (M1, M3, M5, M7, M8, M9, M10, M15, M16, M17, M18, M23) | | | | |
| NS | 0259L00026 COND MOTOR HARNESS 460V (M2, M4, M6, M11, M12, M13, M14) | | | | |
| NS | 0259L00028 COND MOTOR HARNESS 460V (M2, M4, M6, M11, M12, M13, M14, M19, M20, M21, M22, M24) | | | | |
| Image 2: | | | | | |
| 12 | 0130M00031 CUT-OUT SWITCH, HIGH PRESSURE (M1, M2, M3, M4, M5, M6, M7, M8, M9, M10, M11, M12, M13, M14, M15, M16) | | | | |
| 12 | 0130M00074 CUT-OUT SWITCH, HIGH PRESSURE (M17, M18, M19, M20, M21, M22, M23, M24) | | | | |
| 22 | 0130L00003 CUT-OUT SWITCH, LOW PRESSURE (M1, M2, M3, M4, M5, M6, M7, M8, M9, M10, M11, M12, M13, M14, M15, M16) | | | | |
| 22 | 0130M00075 CUT-OUT SWITCH, LOW PRESSURE (M17, M18, M19, M20, M21, M22, M23, M24) | | | | |
| 32 | 0151M00012 BI-FLOW FILTER DRIER (M17, M18, M19, M20, M21, M22, M23, M24) | | | | |
| 32 | B1219204 BI-FLOW FILTER DRIER (M1, M2, M3, M4, M5, M6, M7, M8, M9, M10, M11, M12, M13, M14, M15, M16) | | | | |
| 52 | 0130L00002 CUT-OUT SWITCH, LOW PRESSURE (M1, M2, M3, M4, M5, M6, M7, M8, M9, M10, M11, M12, M13, M14, M15, M16) | | | | |
| 52 | 0130M00075 CUT-OUT SWITCH, LOW PRESSURE (M17, M18, M19, M20, M21, M22, M23, M24) | | | | |
| 62 | 0130M00030 CUT-OUT SWITCH, HIGH PRESSURE (M1, M2, M3, M4, M5, M6, M7, M8, M9, M10, M11, M12, M13, M14, M15, M16) | | | | |
| 62 | 0130M00074 CUT-OUT SWITCH, HIGH PRESSURE (M17, M18, M19, M20, M21, M22, M23, M24) | | | | |
| NS | B1373315 ACCESS FITTING (QTY 4) | | | | |

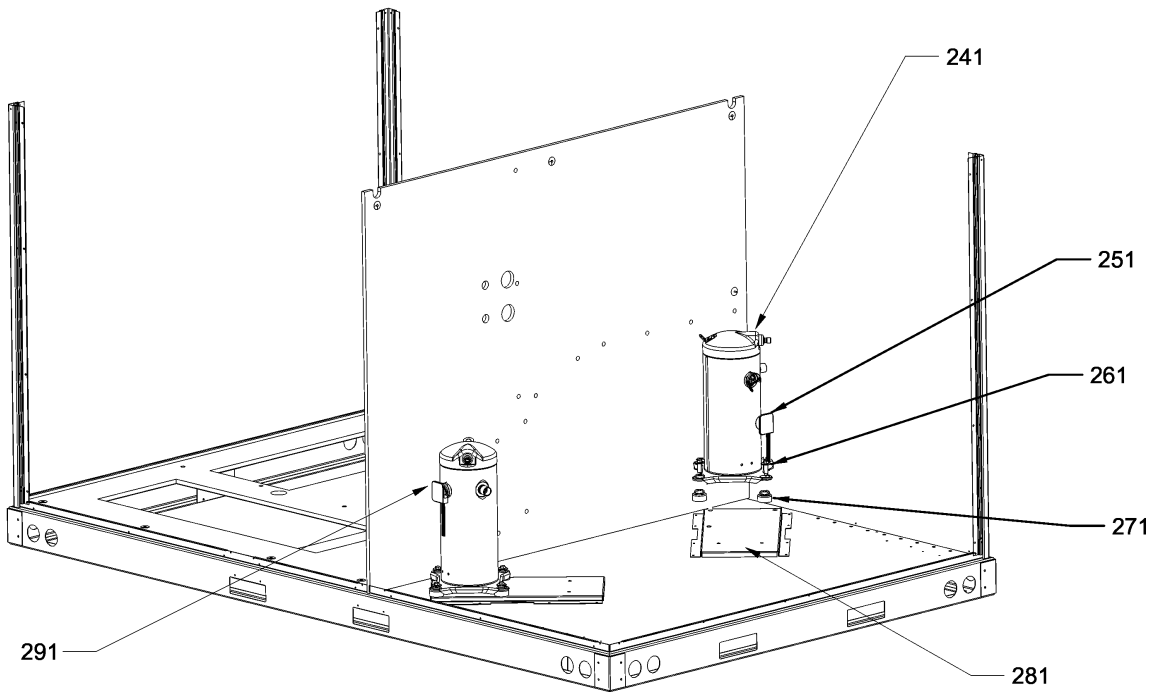
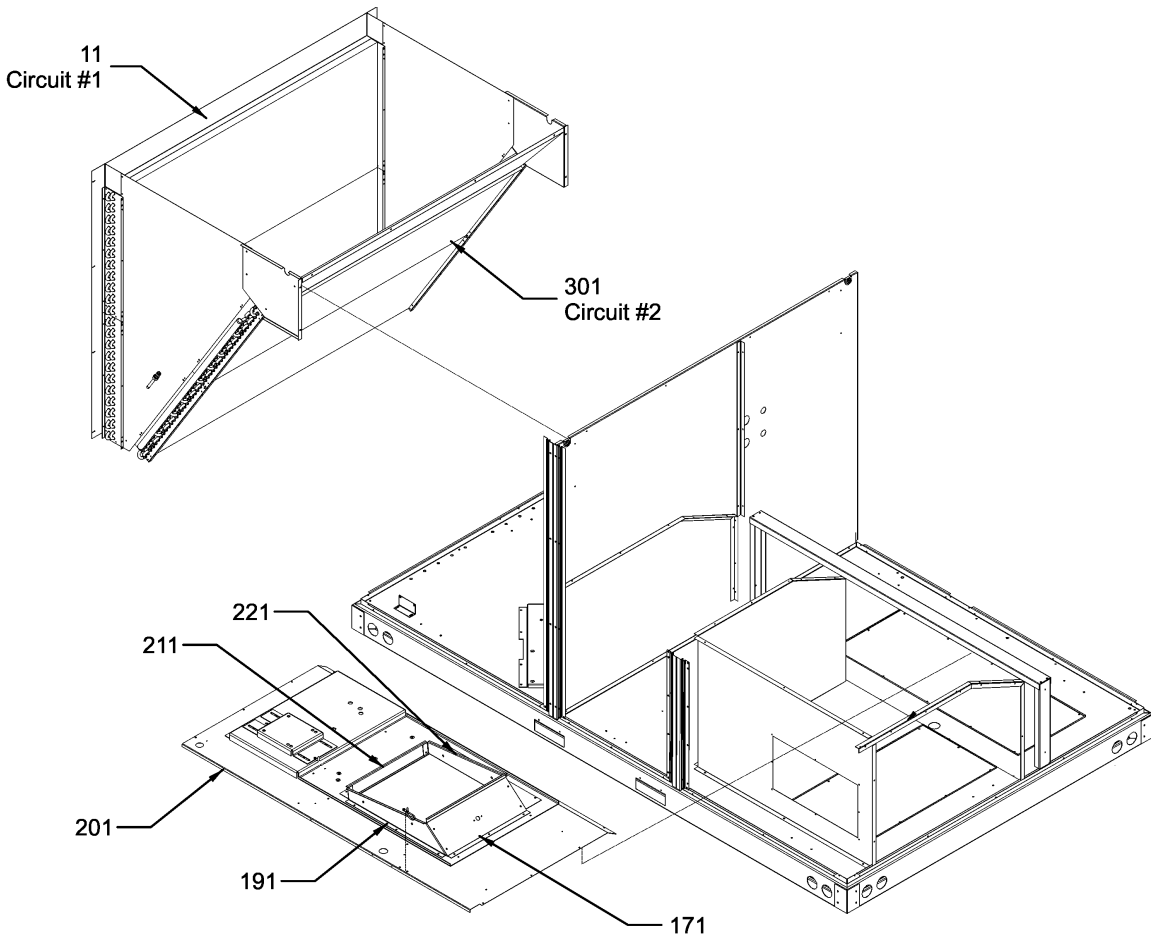
Partition / Evaporator Assembly



Partition / Evaporator Assembly

| Ref. Part No: No: | Description: | Ref. Part No: No: | Description: |
|-------------------|--------------|--|---|
| <i>Image 1:</i> | | Expanded Model Nomenclature | |
| 21 | 0121L00357 | FILTER ANGLE-VERTICAL (RETURN SIDE) (M1, M2, M3, M4, M5, M6, M7) | M1 - CPC090XXX3BXXXBB M2 - CPC090XXX4BXXXBB M3 - CPC090XXX7BXXXBB M4 - CPC0900304HXBxBB M5 - CPC102XXX3BXXXAB M6 - CPC102XXX4BXXXAB M7 - CPC102XXX7BXXXAB |
| 21 | 0121L00519 | FILTER ANGLE-VERTICAL (RETURN SIDE) (M17, M18, M19, M20, M21, M22, M23, M24) | M8 - CPC120XXX3BXJXAB M9 - CPC120XXX3BXXXAB |
| 21 | 0121L00650 | FILTER ANGLE-VERTICAL (RETURN SIDE) (M8, M9, M10, M11, M12, M13, M14, M15, M16) | M10 - CPC120XXX3HXXXAB M11 - CPC120XXX4BXJXAB M12 - CPC120XXX4BXXBAB M13 - CPC120XXX4BXXXAB |
| 31 | 0121L00210 | EVAP EXTENSION-RETURN SIDE (M1, M2, M3, M4, M5, M6, M7, M8, M9, M10, M11, M12, M13, M14, M15, M16) | M14 - CPC120XXX4HXXXAB M15 - CPC120XXX7BXJXAB M16 - CPC120XXX7BXXXAB |
| 41 | 0121L00843 | EVAP EXTENSION-HAIRPIN SIDE (M8, M9, M10, M11, M12, M13, M14, M15, M16) | M17 - CPC150XXX3BXXXAB M18 - CPC150XXX3BXXZAB M19 - CPC150XXX4BAXXAB |
| 41 | 0121L00844 | EVAP EXTENSION-HAIRPIN SIDE (M1, M2, M3, M4, M5, M6, M7) | M20 - CPC150XXX4BHXDAB M21 - CPC150XXX4BXXBAB M22 - CPC150XXX4BXXXAB M23 - CPC150XXX7BXXXAB M24 - CPC1500304BHXDAB |
| 41 | 0121L00845 | EVAP EXTENSION-HAIRPIN SIDE (M17, M18, M19, M20, M21, M22, M23, M24) | |
| 51 | 0121L00649 | FILTER ANGLE - HORIZONTAL (M8, M9, M10, M11, M12, M13, M14, M15, M16) | |
| 51 | 0121L00399 | FILTER ANGLE-HORIZONTAL (M17, M18, M19, M20, M21, M22, M23, M24) | |
| 51 | 0121L00932 | FILTER ANGLE-HORIZONTAL (M1, M2, M3, M4, M5, M6, M7) | |
| 61 | 0121L00648 | FILTER ANGLE - HORIZONTAL (CENTER) (M8, M9, M10, M11, M12, M13, M14, M15, M16) | |
| 61 | 0121L00298 | FILTER ANGLE-HORIZONTAL (CENTER) (M1, M2, M3, M4, M5, M6, M7) | |
| 61 | 0270L00161 | FILTER ANGLE-HORIZONTAL (CENTER) (M17, M18, M19, M20, M21, M22, M23, M24) | |
| 71 | 0121L00358 | FILTER ANGLE-VERTICAL (HAIRPIN SIDE) (M1, M2, M3, M4, M5, M6, M7, M8, M9, M10, M11, M12, M13, M14, M15, M16) | |
| 71 | 0121L00520 | FILTER ANGLE-VERTICAL (HAIRPIN SIDE) (M17, M18, M19, M20, M21, M22, M23, M24) | |
| 81 | 0202L00053 | EVAP TUBING ASSEMBLY (M5, M6, M7) | |
| 81 | 0202L00059 | EVAPORATOR ASSY (M15, M16) | |
| 81 | 0202L00007 | TUBING ASSY, EVAP COIL (M8, M9, M10, M11, M12, M13, M14) | |
| 81 | 0202L00041 | TUBING ASSY, EVAP COIL (M1, M2, M3, M4) | |
| 81 | 0202L00044 | TUBING ASSY, EVAP COIL (M17, M18, M19, M20, M21, M22, M23, M24) | |
| 111 | 0121L00372 | DRAIN PAN SUPPORT (M17, M18, M19, M20, M21, M22, M23, M24) | |
| 111 | 0121L00508 | DRAIN PAN SUPPORT (M1, M2, M3, M4, M5, M6, M7, M8, M9, M10, M11, M12, M13, M14, M15, M16) | |
| 141 | 0161L00002 | DRAIN PAN | |
| 151 | 0121L00374 | DECK SIDE CHANNEL | |
| 161 | 0121L00365 | ELECTRIC HEAT PANEL | |
| NS | 0160L00021 | AIR FILTER (M8, M9, M10, M11, M12, M13, M14, M15, M16) | |
| NS | B1369608 | AIR FILTER 20 X 16 X 2 (M1, M2, M3, M4, M5, M6, M7) | |
| NS | B1369611 | AIR FILTER 20 X 25 X 2 (M17, M18, M19, M20, M21, M22, M23, M24) | |
| NS | B1369611 | FILTER 20 X 25 X 2 (M17, M18, M19, M20, M21, M22, M23, M24) | |

Compressor / Condenser / Partition Assy



Compressor / Condenser / Partition Assy

| Ref. Part No: No: | Description: | Ref. Part No: No: | Description: |
|-------------------|---------------|---|---|
| Image 1: | | Expanded Model Nomenclature | |
| 11 | 0201L00098 | CONDENSER TUBING ASSY C1 COOL (M1, M2, M3, M5, M6, M7) | M1 - CPC090XXX3BXXXBB M2 - CPC090XXX4BXXXBB M3 - CPC090XXX7BXXXBB M4 - CPC0900304HXBxBB M5 - CPC102XXX3BXXXAB M6 - CPC102XXX4BXXXAB M7 - CPC102XXX7BXXXAB M8 - CPC120XXX3BXJXAB M9 - CPC120XXX3BXXXAB M10 - CPC120XXX3HXXXAB M11 - CPC120XXX4BXJXAB M12 - CPC120XXX4BXXBAB M13 - CPC120XXX4BXXXAB M14 - CPC120XXX4HXXXAB M15 - CPC120XXX7BXJXAB M16 - CPC120XXX7BXXXAB M17 - CPC150XXX3BXXXAB M18 - CPC150XXX3BXXZAB M19 - CPC150XXX4BAXXAB M20 - CPC150XXX4BHXDAB M21 - CPC150XXX4BXXBAB M22 - CPC150XXX4BXXXAB M23 - CPC150XXX7BXXXAB M24 - CPC1500304BHXDAB |
| 11 | 0201L00015 | TUBING ASSY, COND COIL (M4, M9, M10, M12, M13, M14, M16) | |
| 11 | 0201L00028 | TUBING ASSY, COND COIL (M8, M11, M15) | |
| 11 | 0201L00080 | TUBING ASSY, COND COIL (M17, M18, M19, M20, M21, M22, M23, M24) | |
| 171 | 0121L00090 | BLOWER TRANSITION, RH END (M1, M2, M3, M4, M5, M6, M7) | |
| 171 | 0121L00168 | BLOWER TRANSITION, RH END (M8, M9, M10, M11, M12, M13, M14, M15, M16, M17, M18, M19, M20, M21, M22, M23, M24) | |
| 191 | 0121L00092 | BLOWER TRANSITION, FRONT | |
| 201 | 0121L00928 | DECK-BLOWER | |
| 211 | 0121L00097 | BLOWER TRANSITION, LH END (M1, M2, M3, M4, M5, M6, M7) | |
| 211 | 0121L00169 | BLOWER TRANSITION, LH END (M8, M9, M10, M11, M12, M13, M14, M15, M16, M17, M18, M19, M20, M21, M22, M23, M24) | |
| 221 | 0121L00094 | BLOWER TRANSITION, BACK (M8, M9, M10, M11, M12, M13, M14, M15, M16, M17, M18, M19, M20, M21, M22, M23, M24) | |
| 221 | 0121L00145 | BLOWER TRANSITION, BACK (M1, M2, M3, M4, M5, M6, M7) | |
| 241 | ZP39K5ETF5130 | COMPRESSOR 39000, 200/230/60/3 (M1) | |
| 241 | ZP39K5ETFD130 | COMPRESSOR 39000, 460/60/3 (M2, M4) | |
| 241 | ZP39K5ETFE130 | COMPRESSOR 39000, 575/60/3 (M3) | |
| 241 | ZP44K5ETF5130 | COMPRESSOR 44000, 200/230/60/3 (M5) | |
| 241 | ZP44K5ETFD130 | COMPRESSOR 44000, 460/60/3 (M6) | |
| 241 | ZP44K5ETFE130 | COMPRESSOR 44000, 575/60/3 (M7) | |
| 241 | ZP51K5ETF5130 | COMPRESSOR 51000, 208/230/60/3 (M8, M9, M10) | |
| 241 | ZP51K5ETFD130 | COMPRESSOR 51000, 460/60/3 (M11, M12, M13, M14) | |
| 241 | ZP51K5ETFE130 | COMPRESSOR 51000, 575/60/3 (M15, M16) | |
| 241 | ZP67KCETFD130 | COMPRESSOR 67000, 460/60/3 (M19, M20, M21, M22, M24) | |
| 241 | ZP67KCETF5130 | COMPRESSOR 67500, 200/230/60/3 (M17, M18) | |
| 241 | ZP67KCETFE130 | COMPRESSOR 67500, 575/60/3 (M23) | |
| 251 | 0159L00004 | COMPRESSOR SCROLL HARNESS (M1, M2, M3, M4, M5, M6, M7, M8, M9, M10, M11, M12, M13, M14, M15, M16, M19, M20, M21, M22, M23, M24) | |
| 251 | 0159L00009 | COMPRESSOR SCROLL HARNESS (M17, M18) | |
| 261 | M0221641 | TF SHOULDER SCREW (QTY 8) | |
| 271 | B1339533 | COMPRESSOR GROMMET (QTY 8) | |
| 281 | 0121L00408 | COMPRESSOR MOUNTING PLATE (QTY 2) | |
| 291 | 0159L00005 | COMPRESSOR SCROLL HARNESS (M1, M2, M3, M4, M5, M6, M7, M8, M9, M10, M11, M12, M13, M14, M15, M16) | |
| 291 | 0159L00033 | COMPRESSOR SCROLL HARNESS (M17, M18) | |
| 291 | 0159L00035 | COMPRESSOR SCROLL HARNESS (M19, M20, M21, M22, M23, M24) | |
| 301 | 0201L00102 | CONDENSER ASSY C2 (M1, M2, M3, M5, M6, M7) | |
| 301 | 0201L00116 | CONDENSER ASSY C2 (M4) | |
| 301 | 0201L00016 | TUBING ASSY, COND COIL (M9, M10, M12, M13, M14, M16) | |
| 301 | 0201L00029 | TUBING ASSY, COND COIL (M8, M11, M15) | |
| 301 | 0201L00081 | TUBING ASSY, COND COIL (M17, M18, M19, M20, M21, M22, M23, M24) | |

Belt Drive Blower and Control Box Assy

Image 1

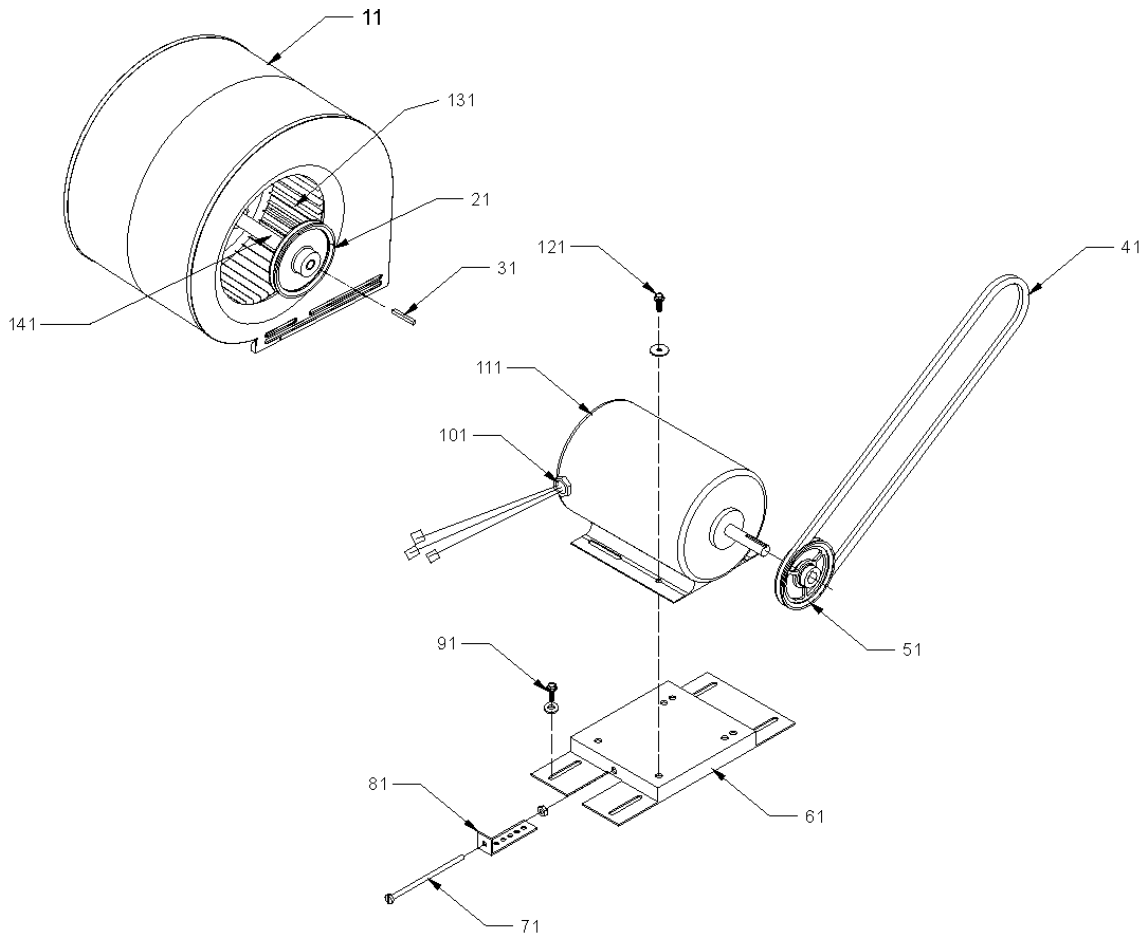
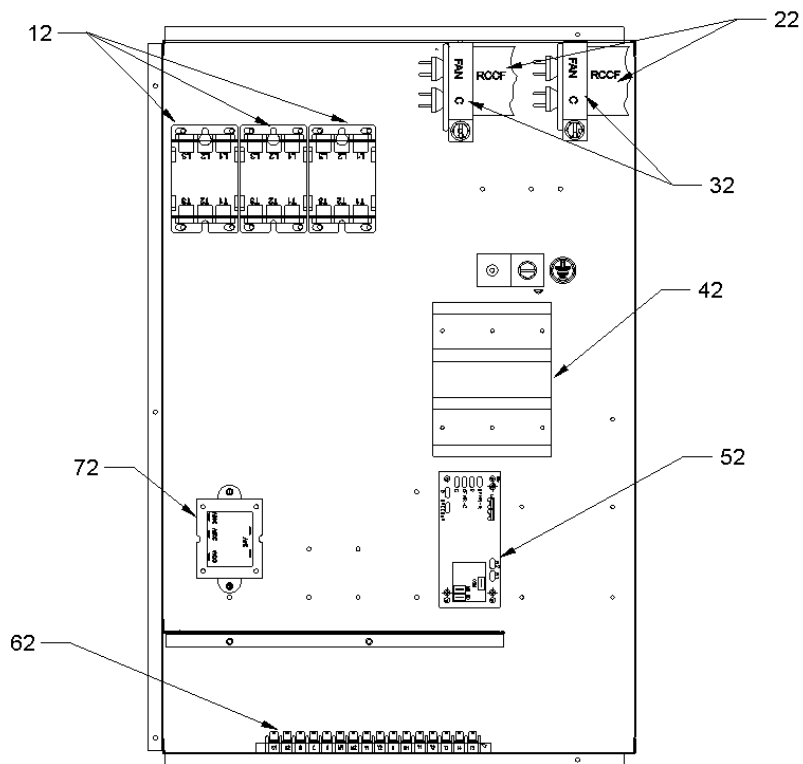


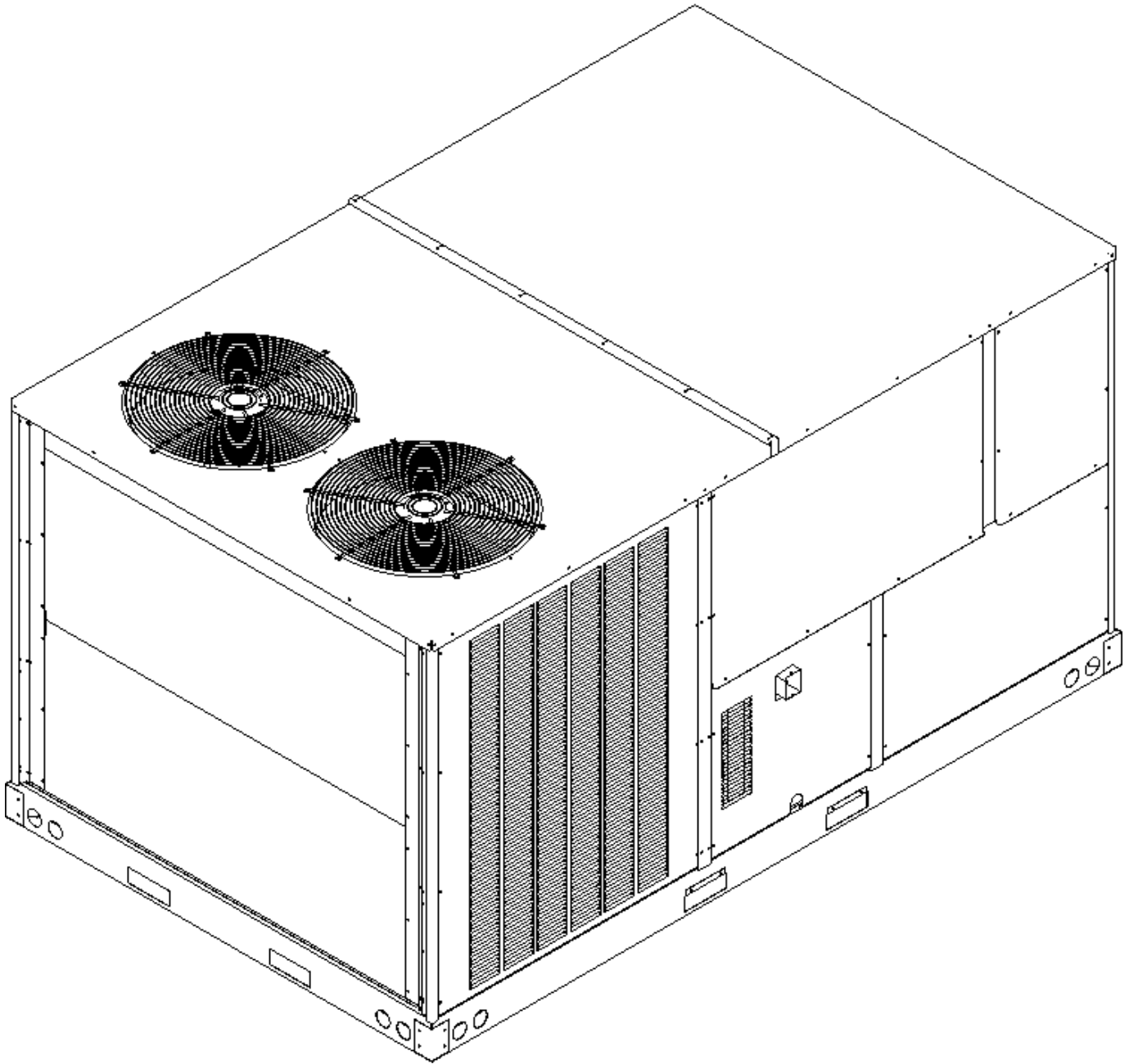
Image 2



Belt Drive Blower and Control Box Assy

| Ref. Part No: | Description: | Ref. Part No: | Description: | | | | | | | | | | | | | | | | | | | | | | | | |
|------------------------|---|--|--|-----------------------|-----------------------|-----------------------|-----------------------|-----------------------|-----------------------|-----------------------|-----------------------|-----------------------|------------------------|------------------------|------------------------|------------------------|------------------------|------------------------|------------------------|------------------------|------------------------|------------------------|------------------------|------------------------|------------------------|------------------------|------------------------|
| Image 1: | | Image 2: | | | | | | | | | | | | | | | | | | | | | | | | | |
| 11 0271L00004 | ASSY BLOWER, 15X12 (M1, M2, M3, M4, M5, M6, M7) | 42 16330-3 | POWER BLOCK | | | | | | | | | | | | | | | | | | | | | | | | |
| 11 0271L00025 | ASSY, BLOWER, 15X15 (M17, M18, M19, M20, M21, M22, M23, M24) | 52 PCBFM103 | ELECTRONIC BLOWER TIME DELAY | | | | | | | | | | | | | | | | | | | | | | | | |
| 11 0271L00015 | BLOWER ASSEMBLY 15 X 15 (M10, M14) | 62 0130M00038 | TERMINAL BOARD | | | | | | | | | | | | | | | | | | | | | | | | |
| 11 0271L00008 | BLOWER ASSY 15 X 15 (M8, M9, M11, M12, M13, M15, M16) | 72 0130M00144 | TRANSFORMER (M1, M5, M8, M9, M10, M17, M18) | | | | | | | | | | | | | | | | | | | | | | | | |
| 21 B3204303 | FIXED SHEAVE AK61 (M10, M14) | 72 0130M00145 | TRANSFORMER 480V to 24V, 75VA (M2, M4, M6, M11, M12, M13, M14, M19, M20, M21, M22, M24) | | | | | | | | | | | | | | | | | | | | | | | | |
| 21 B3204310 | FIXED SHEAVE AK66 (M17, M18, M19, M20, M21, M22, M23, M24) | 72 0130M00148 | TRANSFORMER 575V to 24V, 75VA (M3, M7, M15, M16, M23) | | | | | | | | | | | | | | | | | | | | | | | | |
| 21 0163L00011 | FIXED SHEAVE AK74 (M1, M2, M3, M4, M5, M6, M7, M8, M9, M11, M12, M13, M15, M16) | NS 0259L00019 | CONTROL HARNESS | | | | | | | | | | | | | | | | | | | | | | | | |
| 31 B1398604 | STEEL KEY (000158812) 2.0" | NS 0259L00030 | ECONOMIZER HARNESS (M1, M2, M3, M4, M5, M6, M7, M8, M9, M10, M11, M12, M13, M14, M15, M16) | | | | | | | | | | | | | | | | | | | | | | | | |
| 41 0164L00001 | NOTCHED FAN BELT AX49 (M10, M14, M17, M18, M19, M20, M21, M22, M23, M24) | NS 0259L00098 | ECONOMIZER HARNESS (M17, M18, M19, M20, M21, M22, M23, M24) | | | | | | | | | | | | | | | | | | | | | | | | |
| 41 0164L00000 | NOTCHED FAN BELT AX51 (M1, M2, M3, M4, M5, M6, M7, M8, M9, M11, M12, M13, M15, M16) | NS 0259L00032 | LCM HARNESS, ELECTRIC HEAT | | | | | | | | | | | | | | | | | | | | | | | | |
| 51 0163L00024 | VARIABLE PITCH SHEAVE 1VL40 X 5/8" (M3) | Expanded Model Nomenclature | | | | | | | | | | | | | | | | | | | | | | | | | |
| 51 B2120014 | VARIABLE PITCH SHEAVE 1VL44 X 7/8" (M4, M10, M14) | <table border="1"> <tr><td>M1 - CPC090XXX3BXXXBB</td></tr> <tr><td>M2 - CPC090XXX4BXXXBB</td></tr> <tr><td>M3 - CPC090XXX7BXXXBB</td></tr> <tr><td>M4 - CPC0900304HXBxBB</td></tr> <tr><td>M5 - CPC102XXX3BXXXAB</td></tr> <tr><td>M6 - CPC102XXX4BXXXAB</td></tr> <tr><td>M7 - CPC102XXX7BXXXAB</td></tr> <tr><td>M8 - CPC120XXX3BXXJAB</td></tr> <tr><td>M9 - CPC120XXX3BXXXAB</td></tr> <tr><td>M10 - CPC120XXX3HXXXAB</td></tr> <tr><td>M11 - CPC120XXX4BXXJAB</td></tr> <tr><td>M12 - CPC120XXX4BXXBAB</td></tr> <tr><td>M13 - CPC120XXX4BXXXAB</td></tr> <tr><td>M14 - CPC120XXX4HXXXAB</td></tr> <tr><td>M15 - CPC120XXX7BXXJAB</td></tr> <tr><td>M16 - CPC120XXX7BXXXAB</td></tr> <tr><td>M17 - CPC150XXX3BXXXAB</td></tr> <tr><td>M18 - CPC150XXX3BXXZAB</td></tr> <tr><td>M19 - CPC150XXX4BAXXAB</td></tr> <tr><td>M20 - CPC150XXX4BHXDAB</td></tr> <tr><td>M21 - CPC150XXX4BXXBAB</td></tr> <tr><td>M22 - CPC150XXX4BXXXAB</td></tr> <tr><td>M23 - CPC150XXX7BXXXAB</td></tr> <tr><td>M24 - CPC1500304BHXDAB</td></tr> </table> | | M1 - CPC090XXX3BXXXBB | M2 - CPC090XXX4BXXXBB | M3 - CPC090XXX7BXXXBB | M4 - CPC0900304HXBxBB | M5 - CPC102XXX3BXXXAB | M6 - CPC102XXX4BXXXAB | M7 - CPC102XXX7BXXXAB | M8 - CPC120XXX3BXXJAB | M9 - CPC120XXX3BXXXAB | M10 - CPC120XXX3HXXXAB | M11 - CPC120XXX4BXXJAB | M12 - CPC120XXX4BXXBAB | M13 - CPC120XXX4BXXXAB | M14 - CPC120XXX4HXXXAB | M15 - CPC120XXX7BXXJAB | M16 - CPC120XXX7BXXXAB | M17 - CPC150XXX3BXXXAB | M18 - CPC150XXX3BXXZAB | M19 - CPC150XXX4BAXXAB | M20 - CPC150XXX4BHXDAB | M21 - CPC150XXX4BXXBAB | M22 - CPC150XXX4BXXXAB | M23 - CPC150XXX7BXXXAB | M24 - CPC1500304BHXDAB |
| M1 - CPC090XXX3BXXXBB | | | | | | | | | | | | | | | | | | | | | | | | | | | |
| M2 - CPC090XXX4BXXXBB | | | | | | | | | | | | | | | | | | | | | | | | | | | |
| M3 - CPC090XXX7BXXXBB | | | | | | | | | | | | | | | | | | | | | | | | | | | |
| M4 - CPC0900304HXBxBB | | | | | | | | | | | | | | | | | | | | | | | | | | | |
| M5 - CPC102XXX3BXXXAB | | | | | | | | | | | | | | | | | | | | | | | | | | | |
| M6 - CPC102XXX4BXXXAB | | | | | | | | | | | | | | | | | | | | | | | | | | | |
| M7 - CPC102XXX7BXXXAB | | | | | | | | | | | | | | | | | | | | | | | | | | | |
| M8 - CPC120XXX3BXXJAB | | | | | | | | | | | | | | | | | | | | | | | | | | | |
| M9 - CPC120XXX3BXXXAB | | | | | | | | | | | | | | | | | | | | | | | | | | | |
| M10 - CPC120XXX3HXXXAB | | | | | | | | | | | | | | | | | | | | | | | | | | | |
| M11 - CPC120XXX4BXXJAB | | | | | | | | | | | | | | | | | | | | | | | | | | | |
| M12 - CPC120XXX4BXXBAB | | | | | | | | | | | | | | | | | | | | | | | | | | | |
| M13 - CPC120XXX4BXXXAB | | | | | | | | | | | | | | | | | | | | | | | | | | | |
| M14 - CPC120XXX4HXXXAB | | | | | | | | | | | | | | | | | | | | | | | | | | | |
| M15 - CPC120XXX7BXXJAB | | | | | | | | | | | | | | | | | | | | | | | | | | | |
| M16 - CPC120XXX7BXXXAB | | | | | | | | | | | | | | | | | | | | | | | | | | | |
| M17 - CPC150XXX3BXXXAB | | | | | | | | | | | | | | | | | | | | | | | | | | | |
| M18 - CPC150XXX3BXXZAB | | | | | | | | | | | | | | | | | | | | | | | | | | | |
| M19 - CPC150XXX4BAXXAB | | | | | | | | | | | | | | | | | | | | | | | | | | | |
| M20 - CPC150XXX4BHXDAB | | | | | | | | | | | | | | | | | | | | | | | | | | | |
| M21 - CPC150XXX4BXXBAB | | | | | | | | | | | | | | | | | | | | | | | | | | | |
| M22 - CPC150XXX4BXXXAB | | | | | | | | | | | | | | | | | | | | | | | | | | | |
| M23 - CPC150XXX7BXXXAB | | | | | | | | | | | | | | | | | | | | | | | | | | | |
| M24 - CPC1500304BHXDAB | | | | | | | | | | | | | | | | | | | | | | | | | | | |
| 51 0163L00012 | VARIABLE PITCH SHEAVE VL40 (M1, M2, M5, M6, M7, M8, M9, M11, M12, M13, M15, M16, M17, M18, M19, M20, M21, M22, M23, M24) | | | | | | | | | | | | | | | | | | | | | | | | | | |
| 61 0270L00015 | MOTOR BASE ASSY | | | | | | | | | | | | | | | | | | | | | | | | | | |
| 71 0163M00045 | BOLT 1/4-20 X 4" | | | | | | | | | | | | | | | | | | | | | | | | | | |
| 81 3225000F | BELT TIGHTENER ANGLE | | | | | | | | | | | | | | | | | | | | | | | | | | |
| 91 B1446707 | SCREW 5/16-18 X 1" (QTY 4) | | | | | | | | | | | | | | | | | | | | | | | | | | |
| 101 B1393726 | ELECT. CONNECTING BUSHING | | | | | | | | | | | | | | | | | | | | | | | | | | |
| 111 B3240007 | BELT DRIVE MOTOR 1.5 HP (M1, M2, M4) | | | | | | | | | | | | | | | | | | | | | | | | | | |
| 111 0131L00004 | BELT DRIVE MOTOR 1.5 HP 575V (M3) | | | | | | | | | | | | | | | | | | | | | | | | | | |
| 111 B3240004 | BELT DRIVE MOTOR 2 HP (M10, M14, M17, M18, M19, M20, M21, M22, M24) | | | | | | | | | | | | | | | | | | | | | | | | | | |
| 111 B3240006 | BELT DRIVE MOTOR 2 HP (M5, M6, M8, M9, M11, M12, M13) | | | | | | | | | | | | | | | | | | | | | | | | | | |
| 111 0131L00005 | BELT DRIVE MOTOR 2 HP 575 V (M7, M15, M16) | | | | | | | | | | | | | | | | | | | | | | | | | | |
| 111 0131L00006 | BELT DRIVE MOTOR 3 HP 575 V (M23) | | | | | | | | | | | | | | | | | | | | | | | | | | |
| 121 B1393738 | BOLT 1/4-20 X 3/4" (QTY 4) | | | | | | | | | | | | | | | | | | | | | | | | | | |
| 131 03-77429 | BLOWER WHEEL (M11, M12, M13, M14, M15, M16) | | | | | | | | | | | | | | | | | | | | | | | | | | |
| 131 03-78497 | BLOWER WHEEL (M1, M2, M3, M4, M5, M6, M7, M8, M9, M10, M17, M18, M19, M20, M21, M22, M23, M24) | | | | | | | | | | | | | | | | | | | | | | | | | | |
| 141 04-11525 | BLOWER SHAFT (M11, M12, M13, M14, M15, M16) | | | | | | | | | | | | | | | | | | | | | | | | | | |
| 141 04-11526 | BLOWER SHAFT (M1, M2, M3, M4, M5, M6, M7, M8, M9, M10, M17, M18, M19, M20, M21, M22, M23, M24) | | | | | | | | | | | | | | | | | | | | | | | | | | |
| NS B1399500 | BALL BEARING 1.00" (M11, M12, M13, M14, M15, M16, M17) | | | | | | | | | | | | | | | | | | | | | | | | | | |
| NS 04-02196 | BEARING & FRAME ASSY | | | | | | | | | | | | | | | | | | | | | | | | | | |
| NS B3201300 | BEARING BRACKET (M11, M12, M13, M14, M15, M16, M17) | | | | | | | | | | | | | | | | | | | | | | | | | | |
| NS 0259L00008 | MOTOR HARNESS-BELT DRIVE | | | | | | | | | | | | | | | | | | | | | | | | | | |
| Image 2: | | | | | | | | | | | | | | | | | | | | | | | | | | | |
| 12 CONT3P025024V | CONTACTOR 25 AMP, 3P, 24V (M1, M2, M3, M4, M5, M6, M7, M8, M9, M10, M11, M12, M13, M14, M15, M16, M19, M20, M21, M22, M23, M24) | | | | | | | | | | | | | | | | | | | | | | | | | | |
| 12 CONT3P030024V | CONTACTOR 30 AMP, 3P, 24V (M17, M18) | | | | | | | | | | | | | | | | | | | | | | | | | | |
| 22 CAP050000370LA | CAPACITOR 5/370V (QTY 2) | | | | | | | | | | | | | | | | | | | | | | | | | | |
| 32 20520901 | CAPACITOR STRAP (QTY 2) | | | | | | | | | | | | | | | | | | | | | | | | | | |

Accessory Parts List



ACCESSORY PARTS

| Ref. Part No: | Description: | Ref. Part No: | Description: |
|---------------|--------------|---------------|--------------|
|---------------|--------------|---------------|--------------|

Image 1:

| | |
|--------------------|--|
| NS 0130M00065 | CIRCUIT BREAKER, CONVENIENCE OUTLET (M12, M21) |
| NS 0270L00274 | CONVENIENCE OUTLET ASSY-NP (M12) |
| NS 0270L00279 | CONVENIENCE OUTLET ASSY-NP (M21) |
| NS DSC100B59N001FI | DISCONNECT MODULE ASSY (M20, M24) |
| NS DNECONGS150 | ECONOMIZER DOWNFLOW GAS/AC (M19) |
| NS HAILGD02FI | HAIL GUARD ASSY (M4) |
| NS SDRKT01FI75T12 | SMOKE DETECTOR ASSEMBLY (M20, M24) |
| NS SDSRKT01FI75T12 | SMOKE DETECTOR ASSEMBLY (M18) |
| NS 0130M00061 | TRANSFORMER, CONVENIENCE OUTLET (M12, M21) |

Expanded Model Nomenclature

- M1 - CPC090XXX3BXXXBB
- M2 - CPC090XXX4BXXXBB
- M3 - CPC090XXX7BXXXBB
- M4 - CPC0900304HXBxBB
- M5 - CPC102XXX3BXXXAB
- M6 - CPC102XXX4BXXXAB
- M7 - CPC102XXX7BXXXAB
- M8 - CPC120XXX3BXJXAB
- M9 - CPC120XXX3BXXXAB
- M10 - CPC120XXX3HXXXAB
- M11 - CPC120XXX4BXJXAB
- M12 - CPC120XXX4BXXBAB
- M13 - CPC120XXX4BXXXAB
- M14 - CPC120XXX4HXXXAB
- M15 - CPC120XXX7BXJXAB
- M16 - CPC120XXX7BXXXAB
- M17 - CPC150XXX3BXXXAB
- M18 - CPC150XXX3BXXZAB
- M19 - CPC150XXX4BAXXAB
- M20 - CPC150XXX4BHXDAB
- M21 - CPC150XXX4BXXBAB
- M22 - CPC150XXX4BXXXAB
- M23 - CPC150XXX7BXXXAB
- M24 - CPC1500304BHXDAB