

# REPAIR PARTS

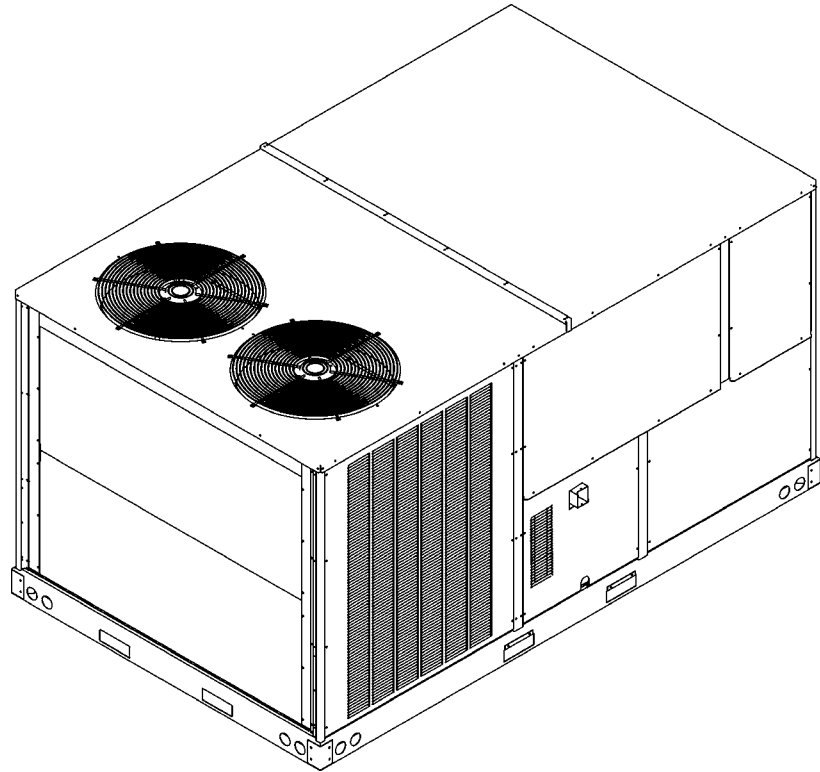
---

## Commercial 10 Ton Package Cooling Unit

CPC120XXX3VXXXAA

CPC120XXX4VXXXAA

CPC120XXX7VXXXAA



This manual is to be used by qualified technicians only.

© 2013 Goodman Manufacturing Company, L.P. ♦ 5151 San Felipe, Suite 500 ♦ Houston, TX 77056

# Important Information

---

## Index

Functional Parts List .....	3
Illustration and Parts .....	4 - 13

*Views shown are for parts illustrations only, not servicing procedures.*

Addition of models with 2-Speed Evaporator Motors {Title 24}.

### Text Codes:

AR - As Required

NA - Not Available

NS - Not Shown

00000000 - See Note

QTY - Quantity Example (QTY 3) (If Quantity not shown, Quantity = 1)

M - Model Example (M1) (If M Code not shown, then part is used on all Models)

### Expanded Model Nomenclature:

Example M1 - Model#1 M2 - Model#2 M3 - Model#3
---

Goodman Manufacturing Company, L.P. is not responsible for personal injury or property damage resulting from improper service. Review all service information before beginning repairs.

Warranty service must be performed by an authorized technician, using authorized factory parts. If service is required after the warranty expires, Goodman Manufacturing Company, L.P. also recommends contacting an authorized technician and using authorized factory parts.

Goodman Manufacturing Company, L.P. reserves the right to discontinue, or change at any time, specifications or designs without notice or without incurring obligations.

For assistance within the U.S.A. contact:  
Consumer Affairs Department  
Goodman Manufacturing Company, L.P.  
7401 Security Way  
Houston, Texas 77040  
877-254-4729-Telephone  
713-863-2382-Facsimile

For assistance outside the U.S.A. contact:  
International Division  
Goodman Manufacturing Company, L.P.  
7401 Security Way  
Houston, Texas 77040  
713-861-2500-Telephone  
713-863-2382-Facsimile

# Functional Parts

## Part

## No: Description:

---

0130M00025	24V RELAY (QTY 2)
03-78497	BLOWER WHEEL
CAP050000370VA	CAPACITOR 5/370V (QTY 2)
ZP51K5ETF5130	COMPRESSOR 51000, 208/230/60/3 (QTY 2)
0131M00008P	COND MOTOR 1/3 HP, 1 SP, 6 PL (M1)
B13400249	COND MOTOR 1/3 HP, 460V (M2)
0131M00179	COND MOTOR 1/3 HP, 6 PL, 575V (M3)
CONT3P025024V	CONTACTOR 25 AMP, 3P, 24V (QTY 4)
0130M00031	CUT-OUT SWITCH, HIGH PRESSURE
0130M00030	CUT-OUT SWITCH, HIGH PRESSURE
0130L00003	CUT-OUT SWITCH, LOW PRESSURE
0130L00002	CUT-OUT SWITCH, LOW PRESSURE
PCBFM131	ELECTRONIC BLOWER TIME DELAY RELAY
0164L00017	FAN BELT, NOTCHED
10625733	FAN BLADE 22" ALUM CCW (QTY 2)
0162L00011	FLOWRATOR [EVAP] (QTY 2)
0131L00023	MOTOR, 2 HP BELT DRIVE 230V (M1)
0131L00029	MOTOR, 2 HP BELT DRIVE 460 V (M2)
0131L00026	MOTOR, 2 HP BELT DRIVE 575 V (M3)
10135604	RELAY (QTY 2)
B1141653	TRANSFORMER 480V, 75VA, RESETTABLE (M3)
B1141672	TRANSFORMER 480V, 75VA, RESETTABLE (M1)
0130M00045	TRANSFORMER 575/24V (M2)

## SPECIAL PARTS

0160L00021 FILTER (QTY 4)

### Expanded Model Nomenclature

M1 - CPC120XXX3VXXXAA

M2 - CPC120XXX4VXXXAA

M3 - CPC120XXX7VXXXAA



# Cabinet Assy

Ref. Part No: No:	Description:	Ref. Part No: No:	Description:
-------------------	--------------	-------------------	--------------

---

Image 1:

11	0121L00065RFDG	CORNER POST (QTY 4)
21	0121L00511DG	LOUVERED SIDE PANEL (QTY 2)
31	0121L00738RFDG	PNT, ROLL FORM SIDE POST (QTY 2)
41	0270L00272	INSUL FILTER DOOR ASSY
51	0121L00739RFDG	PNT, RFORM, FILTER DOOR POST
61	0270L00175	INSULATED ASSY, ECONOMIZER DOOR
71	0270L00398	INSUL DUCT PANEL ASSY
81	0270L00041	INSULATED ASSY, SUPPLY DUCT
91	0270L00040	INSULATED ASSY, RETURN DUCT
101	0121L00974DG	PNT, DOOR, CONTROL
111	0121L00762RFDG	RF, PNT, POST, CONTROL BOX
121	0270L00299	INSUL HEAT EXCH DOOR ASSY
131	0270L00298	INSUL BLWR DOOR ASSY
141	0121L00765RFDG	RF, PNT, POST, BURNER BOX
161	0121L00828DG	PNT, DOOR, BURNER AREA

Expanded Model Nomenclature

- M1 - CPC120XXX3VXXXAA
- M2 - CPC120XXX4VXXXAA
- M3 - CPC120XXX7VXXXAA

# Top Panel / Tubing Assy

Image 1

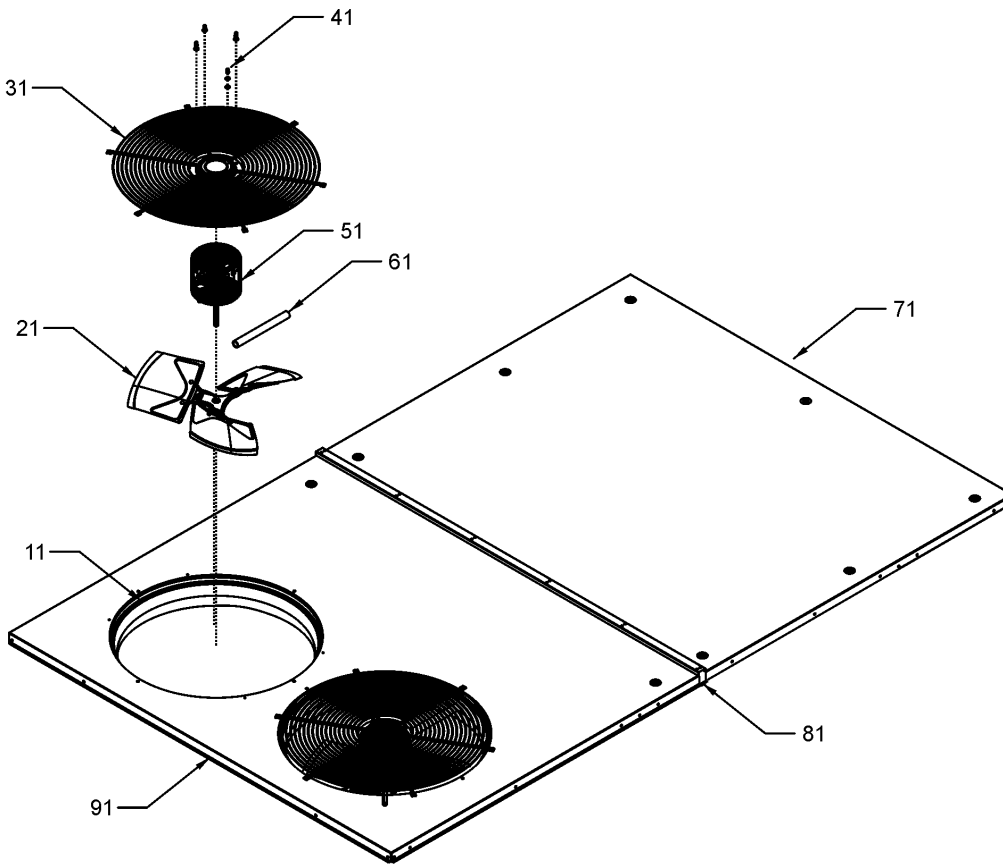
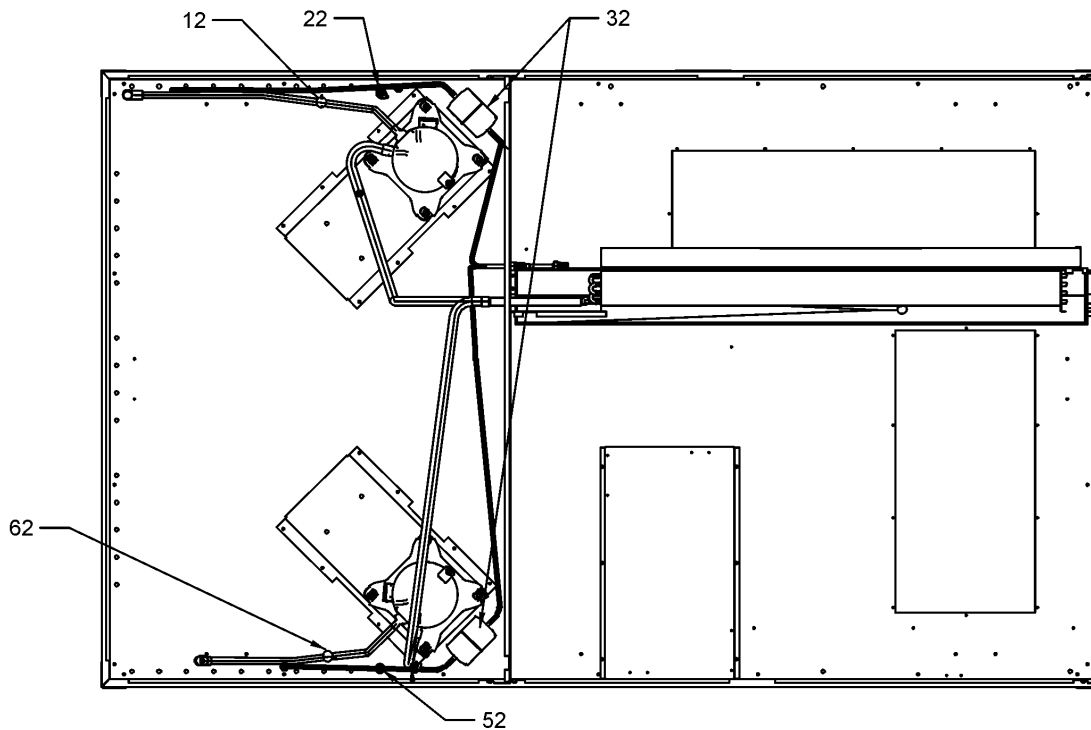


Image 2



# Top Panel / Tubing Assy

Ref. Part No: No:	Description:	Ref. Part No: No:	Description:
-------------------	--------------	-------------------	--------------

*Image 1:*

11	0161L00000	VENTURI RING 22" (QTY 2)
21	10625733	FAN BLADE 22" ALUM CCW (QTY 2)
31	0152G00002	FAN GRILLE (QTY 2)
41	0163M00006P	ACORN NUT 5/16 HEX BLACK (QTY 8)
51	0131M00008P	COND MOTOR 1/3 HP, 1 SP, 6 PL (M1)
51	B13400249	COND MOTOR 1/3 HP, 460V (M2)
51	0131M00179	COND MOTOR 1/3 HP, 6 PL, 575V (M3)
61	17788000083F	PVC CONDUIT 8.25" (QTY 2)
71	0121L00497DG	EVAP TOP PANEL
81	0121L00121	SPLICE-COND PLATE
91	0121L01014DG	PNT, TOP PANEL (COND)
NS	0259L00025	COND MOTOR HARNESS 230V
NS	0259L00027	COND MOTOR HARNESS 230V

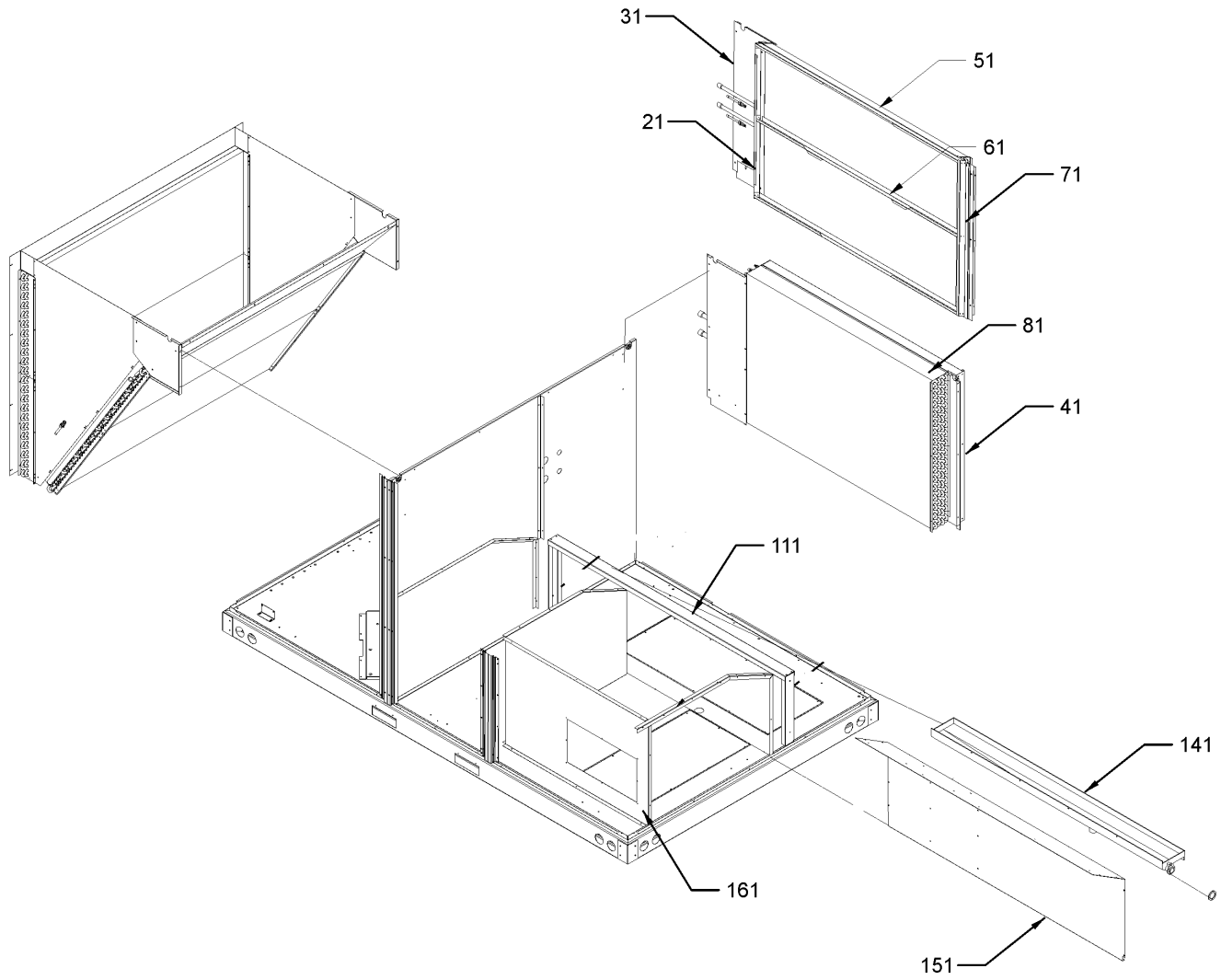
*Image 2:*

12	0130M00031	CUT-OUT SWITCH, HIGH PRESSURE
22	0130L00003	CUT-OUT SWITCH, LOW PRESSURE
32	20485201	BI-FLOW FILTER DRIER
52	0130L00002	CUT-OUT SWITCH, LOW PRESSURE
62	0130M00030	CUT-OUT SWITCH, HIGH PRESSURE
NS	B1373315	ACCESS FITTING (QTY 4)
NS	0163M00175	CAP WITH O-RING (QTY 4)
NS	0121L00359	SHIELD-EVAPORATOR DRIP

Expanded Model Nomenclature

M1 - CPC120XXX3VXXXAA
M2 - CPC120XXX4VXXXAA
M3 - CPC120XXX7VXXXAA

# Partition / Evaporator Assembly



# Partition / Evaporator Assembly

Ref. Part No:	No:	Description:	Ref. Part No:	No:	Description:
---------------	-----	--------------	---------------	-----	--------------

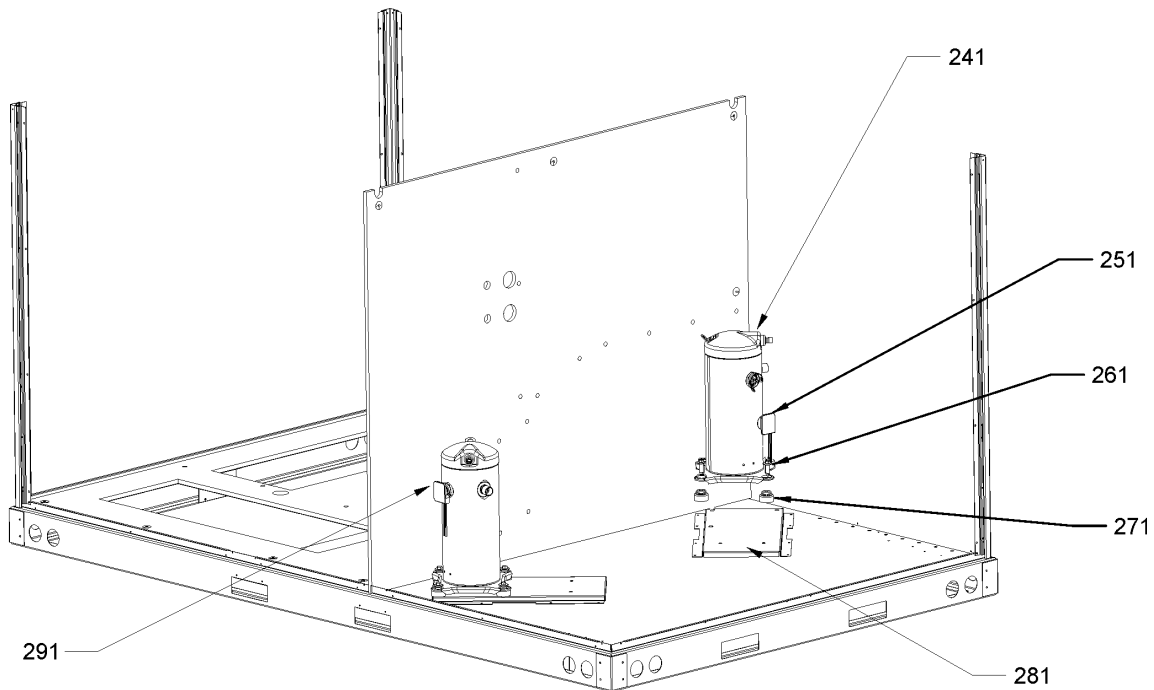
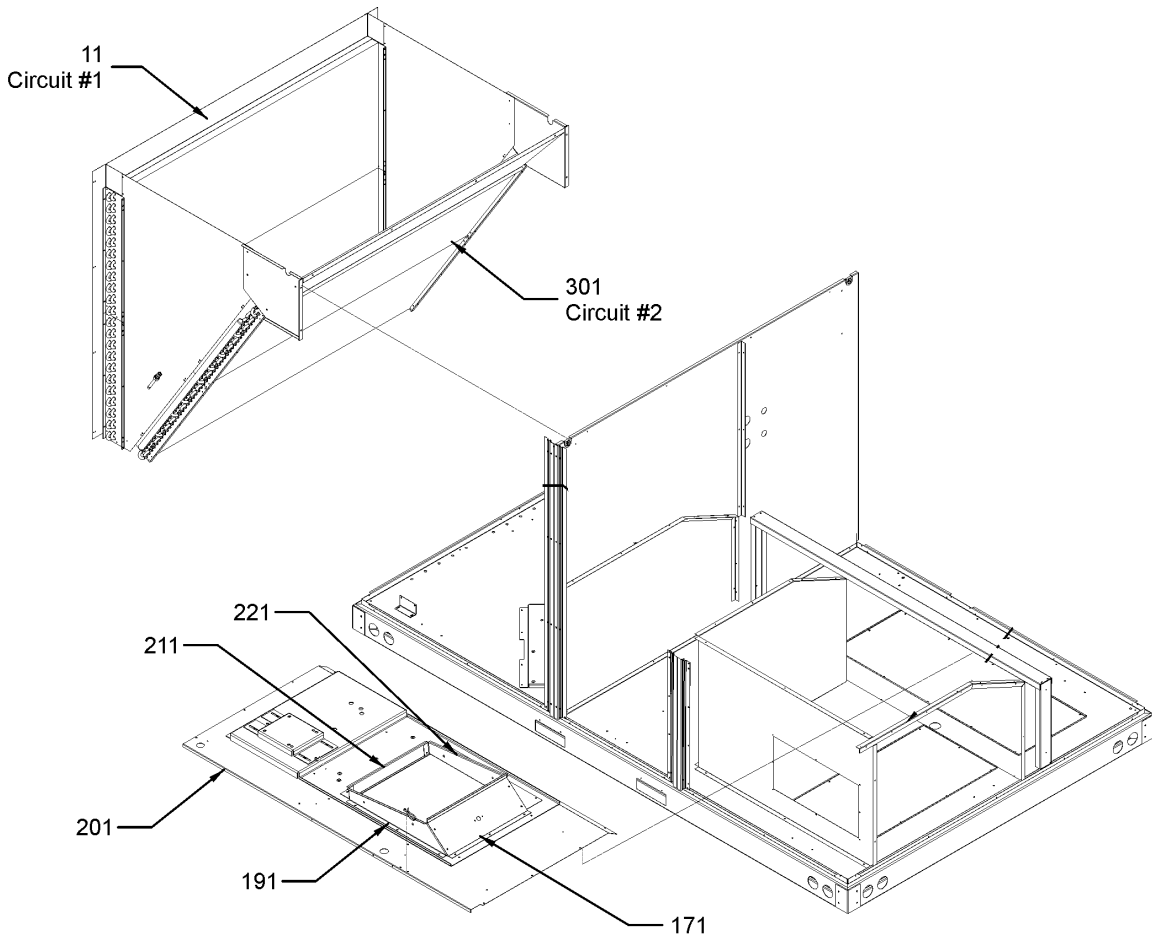
*Image 1:*

21	0121L00650	FILTER ANGLE-VERTICAL (RETURN SIDE)
31	0121L00210	EVAP EXTENSION-RETURN SIDE
41	0121L00843	EXTENSION-EVAP HPIN
51	0121L00649	FILTER ANGLE - HORIZONTAL (QTY 2)
61	0121L00648	FILTER ANGLE - HORIZONTAL (CENTER)
71	0121L00358	FILTER ANGLE-VERTICAL (HAIRPIN SIDE)
81	0202L00007	TUBING ASSY, EVAP COIL
111	0121L00508	DRAIN PAN SUPPORT
141	0161L00002	DRAIN PAN
151	0121L00374	DECK SIDE CHANNEL
161	0121L00365	ELECTRIC HEAT PANEL
NS	0160L00021	FILTER (QTY 4)
NS	0162L00011	FLOWRATOR [EVAP] (QTY 2)

Expanded Model Nomenclature

M1 - CPC120XXX3VXXXXAA
M2 - CPC120XXX4VXXXXAA
M3 - CPC120XXX7VXXXXAA

# Compressor / Condenser / Partition Assy



# Compressor / Condenser / Partition Assy

Ref. Part No:	Ref. Part No:	Description:	Description:
---------------	---------------	--------------	--------------

Image 1:

11	0201L00130	COND COIL ASSY, 5MM C1
171	0121L00168	BLOWER TRANSITION, RH END
191	0121L00092	BLOWER TRANSITION, FRONT
201	0121L00975	BLOWER DECK
211	0121L00169	BLOWER TRANSITION, LH END
221	0121L00094	BLOWER TRANSITION, BACK
241	ZP51K5ETF5130	COMPRESSOR 51000, 208/230/60/3 (QTY 2)
251	0159L00004	COMPRESSOR SCROLL HARNESS
261	M0221641	TF SHOULDER SCREW (QTY 8)
271	B1339533	COMPRESSOR GROMMET (QTY 8)
281	0121L00408	COMPRESSOR MOUNTING PLATE (QTY 2)
291	0159L00005	COMPRESSOR SCROLL HARNESS
301	0201L00136	COND COIL ASSY, 5MM C2

Expanded Model Nomenclature

M1 - CPC120XXX3VXXXAA
M2 - CPC120XXX4VXXXAA
M3 - CPC120XXX7VXXXAA

# Belt Drive Blower and Control Box Assy

Image 1

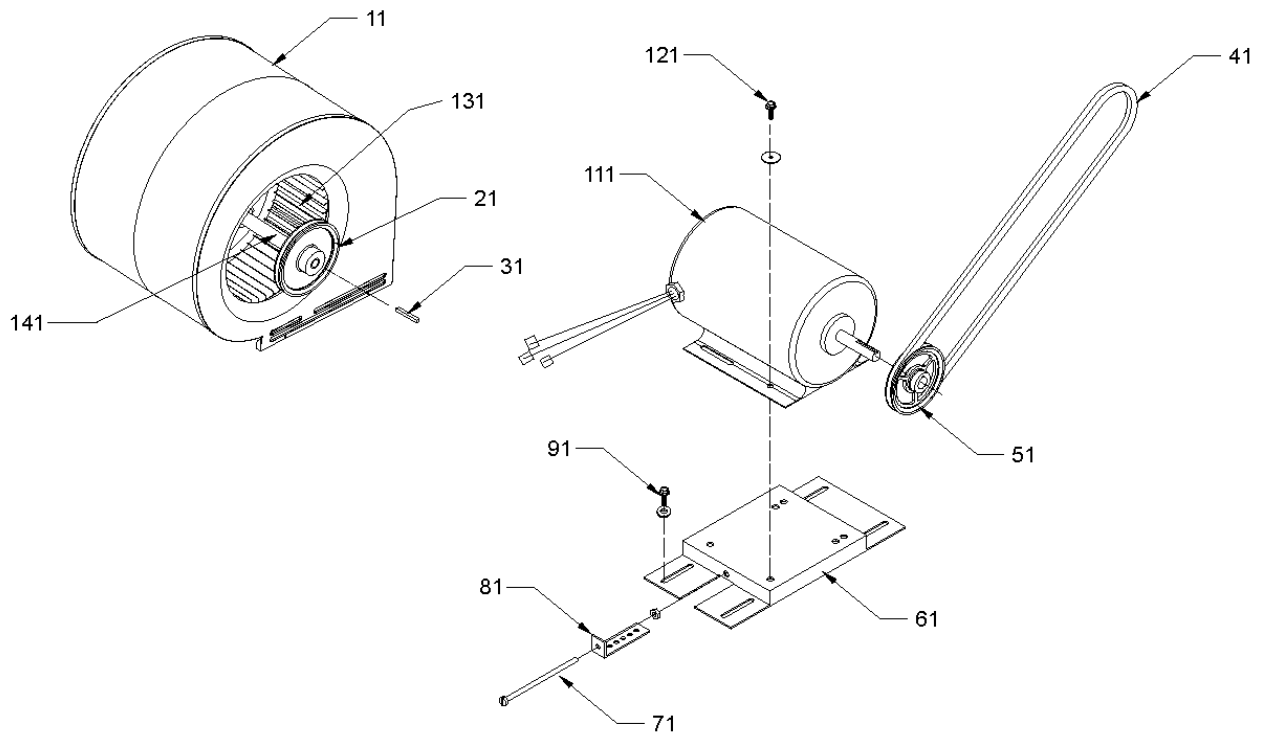


Image 2

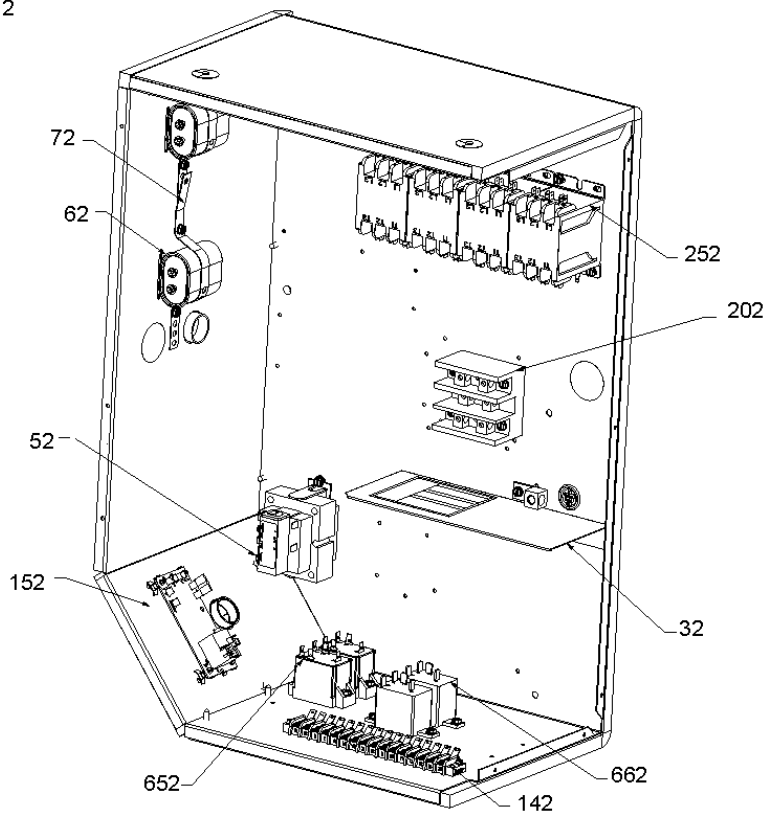
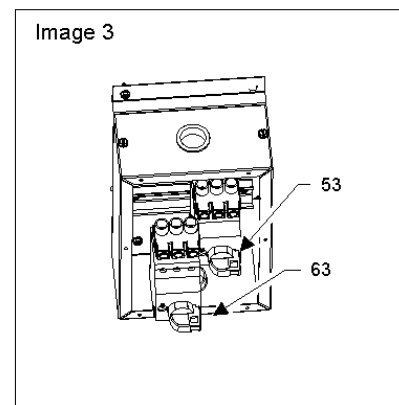


Image 3



# Belt Drive Blower and Control Box Assy

Ref. Part No:	Ref. Part No:	Description:	Description:
<i>Image 1:</i>		Expanded Model Nomenclature	
11	04-01526	BLOWER HOUSING	M1 - CPC120XXX3VXXXAA
21	0163L00011	FIXED SHEAVE AK74	M2 - CPC120XXX4VXXXAA
31	B1398604	STEEL KEY (000158812) 2.0"	M3 - CPC120XXX7VXXXAA
41	0164L00017	FAN BELT, NOTCHED	
51	0163L00012	VARIABLE PITCH SHEAVE VL40	
61	0270L00015	MOTOR BASE ASSY	
71	0163M00045	BOLT 1/4-20 X 4"	
81	3225000F	BELT TIGHTENER ANGLE	
91	B1446707	SCREW 5/16-18 X 1" (QTY 4)	
111	0131L00023	MOTOR, 2 HP BELT DRIVE 230V (M1)	
111	0131L00029	MOTOR, 2 HP BELT DRIVE 460 V (M2)	
111	0131L00026	MOTOR, 2 HP BELT DRIVE 575 V (M3)	
121	B1393738	BOLT 1/4-20 X 3/4" (QTY 5)	
131	03-78497	BLOWER WHEEL	
141	04-11526	BLOWER SHAFT	
NS	04-02196	BEARING & FRAME ASSY	
<i>Image 2:</i>			
32	0121G00491	VOLTAGE BARRIER	
52	B1141653	TRANSFORMER 480V, 75VA, RESETTABLE (M3)	
52	B1141672	TRANSFORMER 480V, 75VA, RESETTABLE (M1)	
52	0130M00045	TRANSFORMER 575/24V (M2)	
62	CAP050000370VA	CAPACITOR 5/370V (QTY 2)	
72	20520901	CAPACITOR STRAP (QTY 2)	
142	0130M00038	TERMINAL BOARD	
152	PCBFM131	ELECTRONIC BLOWER TIME DELAY RELAY	
202	16330-3	POWER BLOCK	
252	CONT3P025024V	CONTACTOR 25 AMP, 3P, 24V (QTY 4)	
652	10135604	RELAY (QTY 2)	
662	0130M00025	24V RELAY (QTY 2)	
NS	0259L00153	2 SPEED CONTROL HARNESS	
NS	0259L00155	2 Speed Relay Harness	
NS	0259L00025	COND MOTOR HARNESS 230V	
NS	0259L00027	COND MOTOR HARNESS 230V	
NS	0259L00030	ECONOMIZER HARNESS	
NS	0259L00032	LCM HARNESS, ELECTRIC HEAT	
NS	0259L00146	POWER HARNESS	
<i>Image 3:</i>			
53	0130L00070	ROTARY MANUAL MOTOR PROTECTOR (M2, M3)	
53	0130L00084	ROTARY MANUAL MOTOR PROTECTOR (M1)	
63	0130L00070	ROTARY MANUAL MOTOR PROTECTOR (M3)	
63	0130L00082	ROTARY MANUAL MOTOR PROTECTOR (M1, M2)	
NS	0259L00161	CIRCUIT BREAKER HARNESS	
NS	0259L00160	HARNESS-BELT DRIVE 2 SP MOTOR	