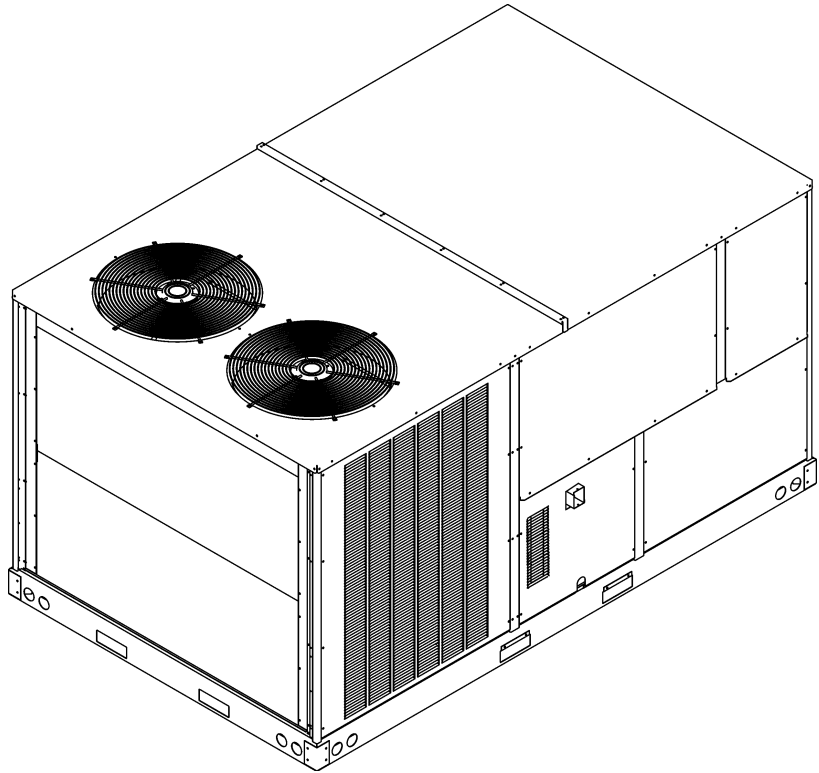


# REPAIR PARTS

## Commercial 10 Ton Package Cooling Units

CPC1200163BAABBA  
CPC1200164HXXABA  
CPC1200303BHXBBA  
CPC1200304BXXBBA  
CPC1200304HXXABA  
CPC1200453BAABBA  
CPC1200453BAAXBBA  
CPC1200453BXXBBA  
CPC120XXX3BXXBBA  
CPC120XXX3BXXJBA  
CPC120XXX3BXXXBA  
CPC120XXX3BXXZBA  
CPC120XXX3HXXXBA  
CPC120XXX4BXXBBA  
CPC120XXX4BXXJBA  
CPC120XXX4BXXFBA  
CPC120XXX4BXXXBA  
CPC120XXX4BXXZBA  
CPC120XXX4HXXXBA  
CPC120XXX7BXXJBA  
CPC120XXX7BXXXBA



This manual is to be used by qualified technicians only.

This manual replaces RP-747B.

© 2012-2013, 2016 Goodman Manufacturing Company, L.P. ♦ 5151 San Felipe St., Suite 500 ♦ Houston, TX 77056

# Important Information

---

## Index

Functional Parts List .....	3
Illustration and Parts .....	4 - 15

*Views shown are for parts illustrations only, not servicing procedures*

### Text Codes:

AR - As Required

NA - Not Available

NS - Not Shown

00000000 - See Note

QTY - Quantity Example (QTY 3) (If Quantity not shown, Quantity = 1)

M - Model Example (M1) (If M Code not shown, then part is used on all Models)

### Expanded Model Nomenclature:

Example M1 - Model#1 M2 - Model#2 M3 - Model#3
---

Goodman Manufacturing Company, L.P. is not responsible for personal injury or property damage resulting from improper service. Review all service information before beginning repairs.

Warranty service must be performed by an authorized technician, using authorized factory parts. If service is required after the warranty expires, Goodman Manufacturing Company, L.P. also recommends contacting an authorized technician and using authorized factory parts.

Goodman Manufacturing Company, L.P. reserves the right to discontinue, or change at any time, specifications or designs without notice or without incurring obligations.

For assistance within the U.S.A. contact:  
Consumer Affairs Department  
Goodman Manufacturing Company, L.P.  
7401 Security Way  
Houston, Texas 77040  
877-254-4729-Telephone  
713-863-2382-Facsimile

For assistance outside the U.S.A. contact:  
International Division  
Goodman Manufacturing Company, L.P.  
7401 Security Way  
Houston, Texas 77040  
713-861-2500-Telephone  
713-863-2382-Facsimile

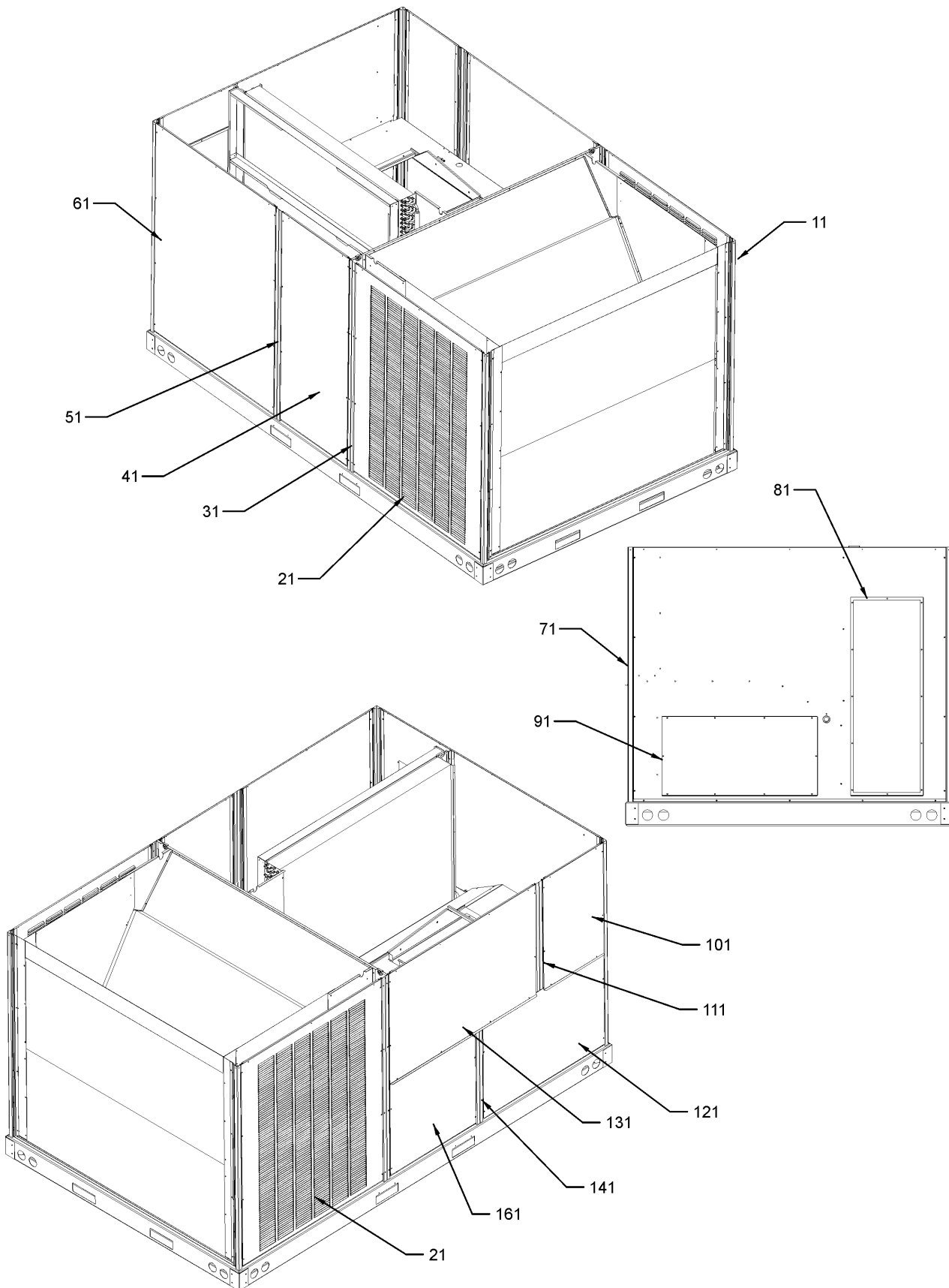
# Functional Parts

## Part

## No: Description:

Part No:	Description:	Expanded Model Nomenclature
B3240006	BELT DRIVE MOTOR 2 HP (M1, M2, M3, M4, M6, M7, M8, M9, M10, M14, M15, M16, M17, M18, M19, M20, M21)	M1 - CPC120XXX3BXXBBA M2 - CPC120XXX3BXXJBA
B3240004	BELT DRIVE MOTOR 2 HP (M5, M11, M15, M16, M18)	M3 - CPC120XXX3BXXXBA M4 - CPC120XXX3BXXZBA
0131L00005	BELT DRIVE MOTOR 2 HP 575 V (M12, M13)	M5 - CPC120XXX3HXXXBA M6 - CPC120XXX4BXXBBA
03-78497	BLOWER WHEEL	M7 - CPC120XXX4BXXJBA M8 - CPC120XXX4BXXFBA
CAP100000370LA	CAPACITOR 10/370V (M3, M4, M16)	M9 - CPC120XXX4BXXXBA M10 - CPC120XXX4BXXZBA
CAP050000370VA	CAPACITOR 5/370V (M1, M2, M5, M6, M7, M8, M9, M10, M11, M12, M13, M14, M15, M17, M18, M19, M20, M21)	M11 - CPC120XXX4HXXXBA M12 - CPC120XXX7BXXJBA
ZP51K5ETF5130	COMPRESSOR 51000, 208/230/60/3 (M1, M2, M3, M4, M5, M14, M16, M19, M20, M21)	M13 - CPC120XXX7BXXXBA M14 - CPC1200163BAABBA
ZP51K5ETFD130	COMPRESSOR 51000, 460/60/3 (M6, M7, M8, M9, M10, M11, M15, M17, M18)	M15 - CPC1200164HXXABA M16 - CPC1200303BHXBBA
ZP51K5ETFE130	COMPRESSOR 51000, 575/60/3 (M12, M13)	M17 - CPC1200304BXXBBA M18 - CPC1200304HXXABA
0131M00430	COND MOTOR 1/3 HP, 1 SP, 6 PL (M1, M2, M3, M4, M5, M14, M16, M19, M20, M21)	M19 - CPC1200453BAABBA M20 - CPC1200453BAAXBBA
B13400249	COND MOTOR 1/3 HP, 460V (M6, M7, M8, M9, M10, M11, M15, M17, M18)	M21 - CPC1200453BXXBBA
0131M00179	COND MOTOR 1/3 HP, 6 PL, 575V (M12, M13)	
CONT3P025024V	CONTACTOR 25 AMP, 3P, 24V (QTY 3)	
0130M00031	CUT-OUT SWITCH, HIGH PRESSURE	
0130M00030	CUT-OUT SWITCH, HIGH PRESSURE	
0130L00002	CUT-OUT SWITCH, LOW PRESSURE	
0130L00003	CUT-OUT SWITCH, LOW PRESSURE	
PCBFM131	ELECTRONIC BLOWER TIME DELAY	
10625733	FAN BLADE 22" ALUM CCW (QTY 2)	
0164L00001	NOTCHED FAN BELT AX49 (M5, M11)	
0164L00000	NOTCHED FAN BELT AX51 (M1, M2, M3, M4, M6, M7, M8, M9, M10, M12, M13, M14, M15, M16, M17, M18, M19, M20, M21)	
0130M00038	TERMINAL BOARD	
B1141653	TRANSFORMER 480V, 75VA, RESETTABLE (M6, M7, M8, M9, M10, M11, M15, M17, M18)	
B1141672	TRANSFORMER 480V, 75VA, RESETTABLE (M1, M2, M3, M4, M5, M14, M16, M19, M20, M21)	
0130M00045	TRANSFORMER 575/24V (M12, M13)	

# Cabinet Assy



# Cabinet Assy

Ref. Part No: No:	Description:	Ref. Part No: No:	Description:
-------------------	--------------	-------------------	--------------

**Image 1:**

11	0121L00065RFDG	CORNER POST (QTY 4)
21	0121L00511DG	LOUVERED SIDE PANEL (QTY 2)
31	0121L00738RFDG	PNT, ROLL FORM SIDE POST (QTY 2)
41	0270L00272	INSUL FILTER DOOR ASSY
51	0121L00739RFDG	PNT, RFORM, FILTER DOOR POST
61	0270L00175	INSULATED ASSY, ECONOMIZER DOOR
71	0270L00180	INSULATED ASSY, DUCT PANEL
81	0270L00041	INSULATED ASSY, SUPPLY DUCT
91	0270L00040	INSULATED ASSY, RETURN DUCT
101	0121L00764DG	PNT, DOOR, CONTROL
111	0121L00762RFDG	RF, PNT, POST, CONTROL BOX
121	0270L00299	INSUL HEAT EXCH DOOR ASSY
131	0270L00298	INSUL BLWR DOOR ASSY
141	0121L00762RFDG	RF, PNT, POST, CONTROL BOX
161	0121L00828DG	PNT, DOOR, BURNER AREA

**Expanded Model Nomenclature**

- M1 - CPC120XXX3BXXBBA
- M2 - CPC120XXX3BXXJXBA
- M3 - CPC120XXX3BXXXBA
- M4 - CPC120XXX3BXXZBA
- M5 - CPC120XXX3HXXXBA
- M6 - CPC120XXX4BXXBBA
- M7 - CPC120XXX4BXXJXBA
- M8 - CPC120XXX4BXXFBA
- M9 - CPC120XXX4BXXXBA
- M10 - CPC120XXX4BXXZBA
- M11 - CPC120XXX4HXXXBA
- M12 - CPC120XXX7BXXJXBA
- M13 - CPC120XXX7BXXXBA
- M14 - CPC1200163BAABBA
- M15 - CPC1200164HXXABA
- M16 - CPC1200303BHXBBA
- M17 - CPC1200304BXXBBA
- M18 - CPC1200304HXXABA
- M19 - CPC1200453BAABBA
- M20 - CPC1200453BAAXBA
- M21 - CPC1200453BXAXBA

# Top Panel / Tubing Assy

Image 1

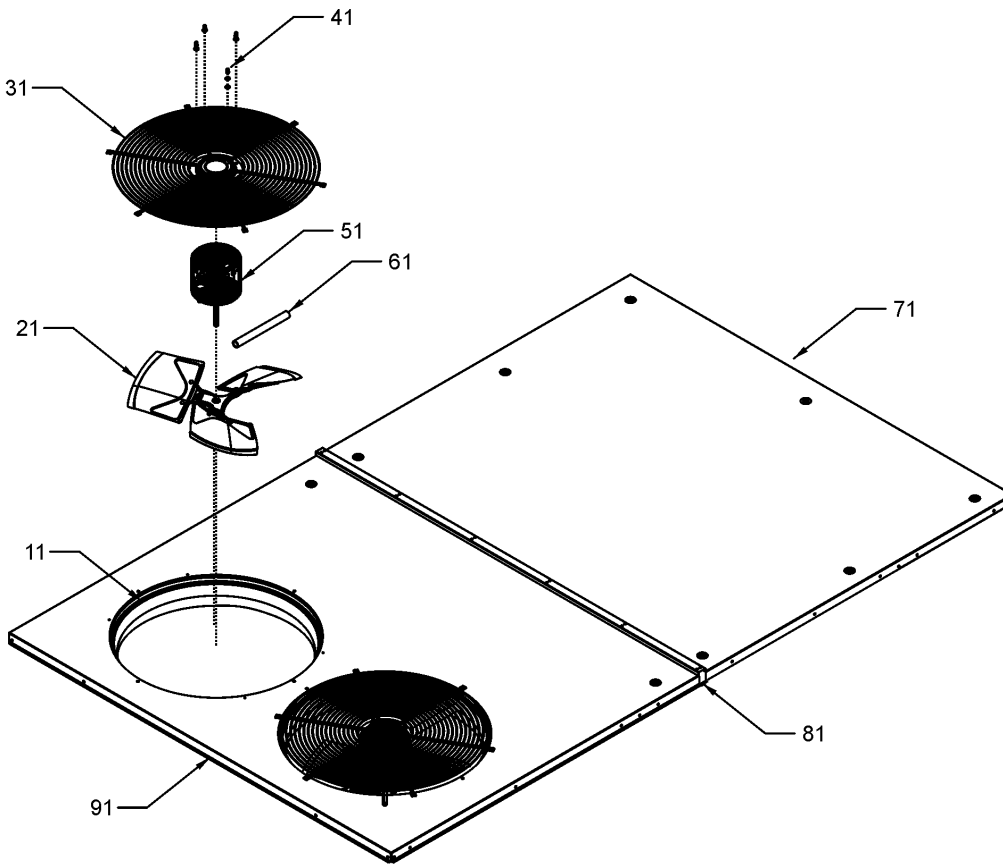
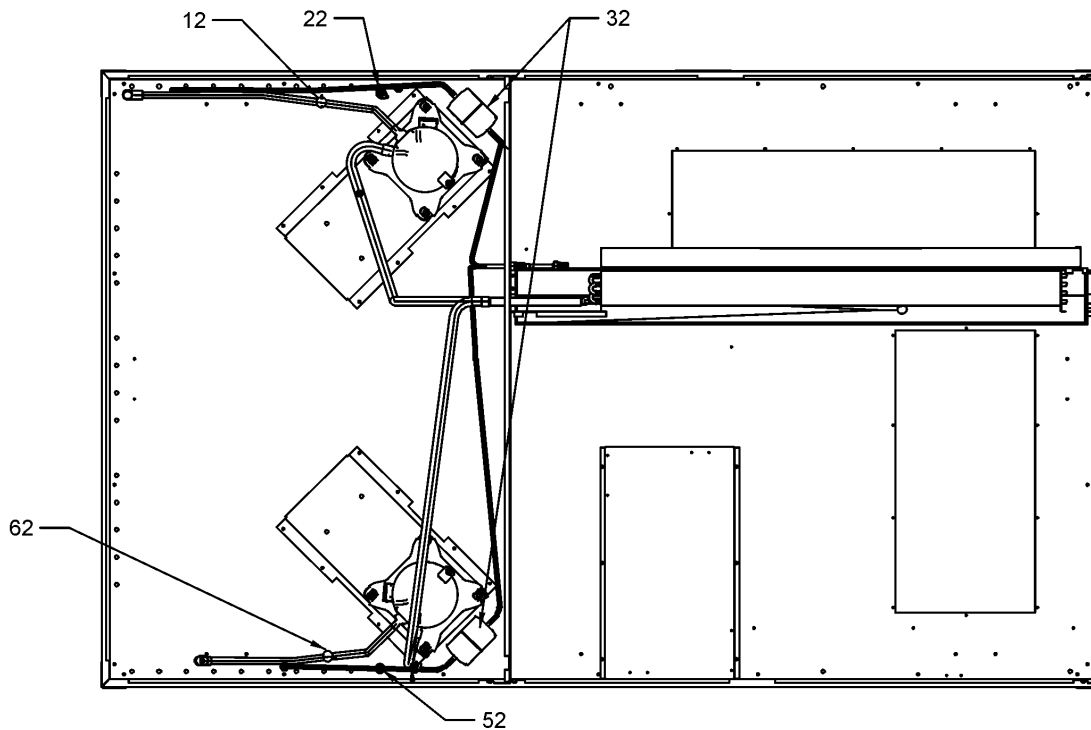


Image 2



# Top Panel / Tubing Assy

Ref. Part No: No:	Description:	Ref. Part No: No:	Description:
-------------------	--------------	-------------------	--------------

**Image 1:**

11	0161L00000	VENTURI RING 22" (QTY 2)
21	10625733	FAN BLADE 22" ALUM CCW (QTY 2)
31	0152G00003	FAN GRILLE (QTY 2)
41	0163M00006P	ACORN NUT 5/16 HEX BLACK (QTY 8)
51	0131M00430	COND MOTOR 1/3 HP, 1 SP, 6 PL (M1, M2, M3, M4, M5, M14, M16, M19, M20, M21)
51	B13400249	COND MOTOR 1/3 HP, 460V (M6, M7, M8, M9, M10, M11, M15, M17, M18)
51	0131M00179	COND MOTOR 1/3 HP, 6 PL, 575V (M12, M13)
61	17788000083F	PVC CONDUIT 8.25" (QTY 2)
71	0121L00497DG	EVAP TOP PANEL
81	20455902	SPLICE GASKET .50 X .25 (QTY 5)
91	0121L01014DG	COND TOP PANEL
NS	0259L00025	COND MOTOR HARNESS 230V (M1, M2, M3, M4, M5, M12, M13, M14, M16, M19, M20, M21)
NS	0259L00027	COND MOTOR HARNESS 230V (M1, M2, M3, M4, M5, M12, M13, M14, M16, M19, M20, M21)
NS	0259L00026	COND MOTOR HARNESS 460V (M6, M7, M8, M9, M10, M11, M15, M17, M18)
NS	0259L00028	COND MOTOR HARNESS 460V (M6, M7, M8, M9, M10, M11, M15, M17, M18)

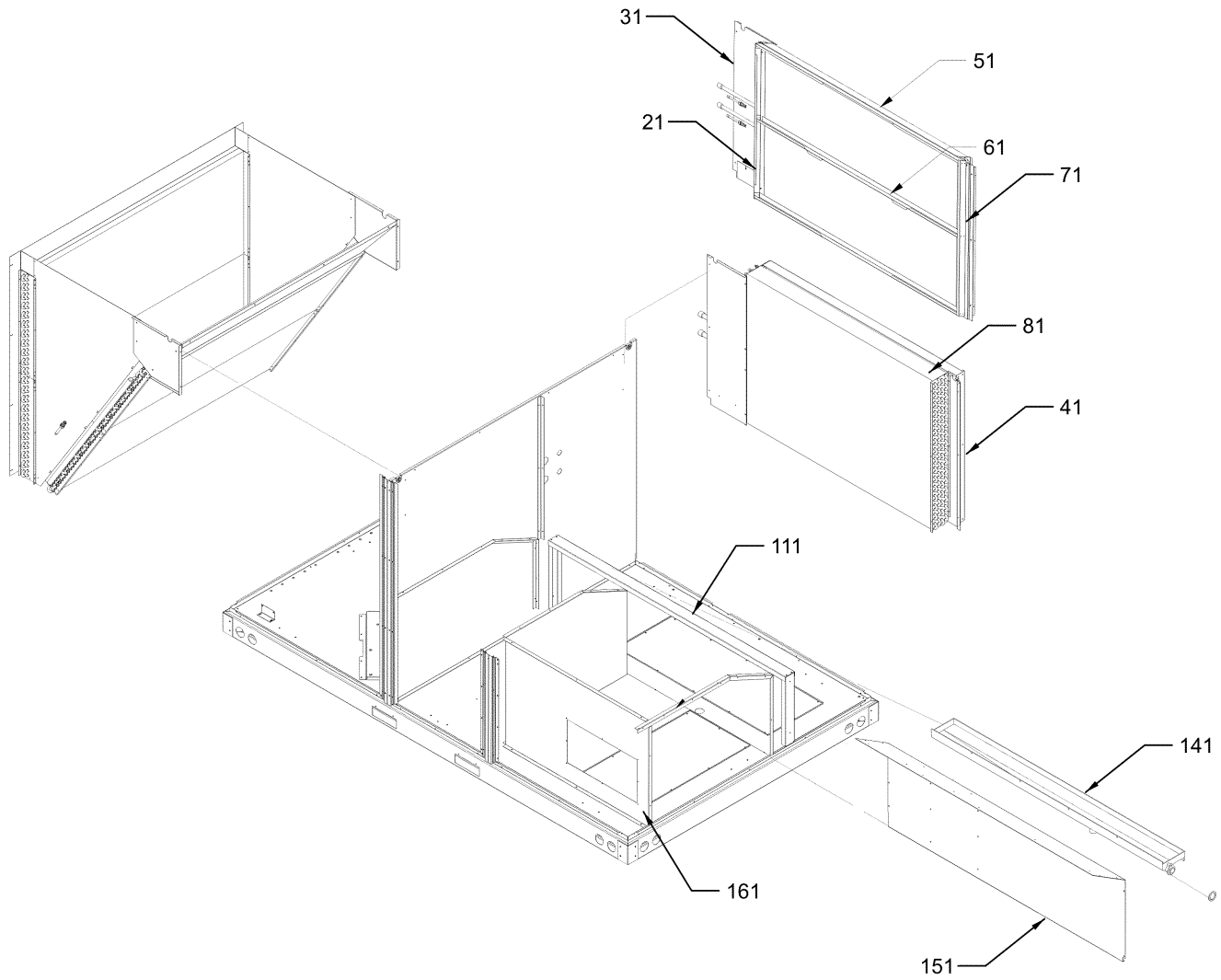
**Image 2:**

12	0130M00031	CUT-OUT SWITCH, HIGH PRESSURE
22	0130L00003	CUT-OUT SWITCH, LOW PRESSURE
32	B1219204	BI-FLOW FILTER DRIER
52	0130L00002	CUT-OUT SWITCH, LOW PRESSURE
62	0130M00030	CUT-OUT SWITCH, HIGH PRESSURE
NS	B1373315	ACCESS FITTING (QTY 4)
NS	0163M00175	CAP WITH O-RING (QTY 4)

**Expanded Model Nomenclature**

M1 - CPC120XXX3BXXBBA
M2 - CPC120XXX3BXXJXBA
M3 - CPC120XXX3BXXXBBA
M4 - CPC120XXX3BXXZBA
M5 - CPC120XXX3HXXXBBA
M6 - CPC120XXX4BXXBBA
M7 - CPC120XXX4BXXJXBA
M8 - CPC120XXX4BXXFBA
M9 - CPC120XXX4BXXXBBA
M10 - CPC120XXX4BXXZBA
M11 - CPC120XXX4HXXXBBA
M12 - CPC120XXX7BXXJXBA
M13 - CPC120XXX7BXXXBBA
M14 - CPC1200163BAABBA
M15 - CPC1200164HXXABA
M16 - CPC1200303BHXBBA
M17 - CPC1200304BXXBBA
M18 - CPC1200304HXXABA
M19 - CPC1200453BAABBA
M20 - CPC1200453BAAXBBA
M21 - CPC1200453BXXBBA

# Partition / Evaporator Assembly



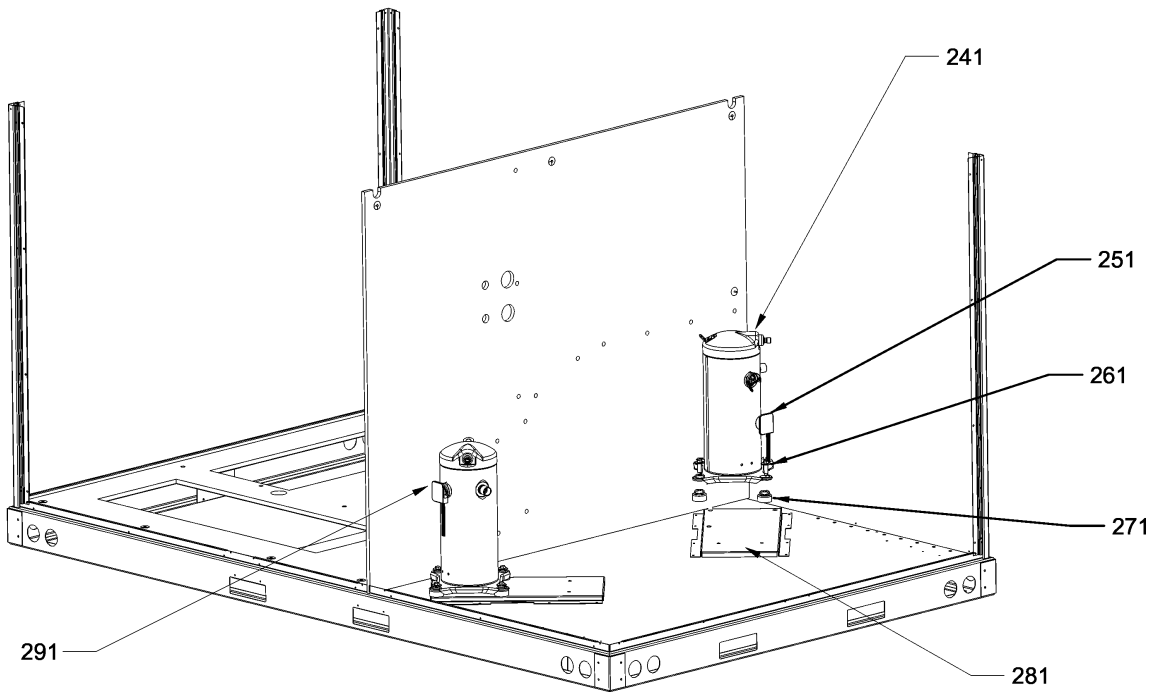
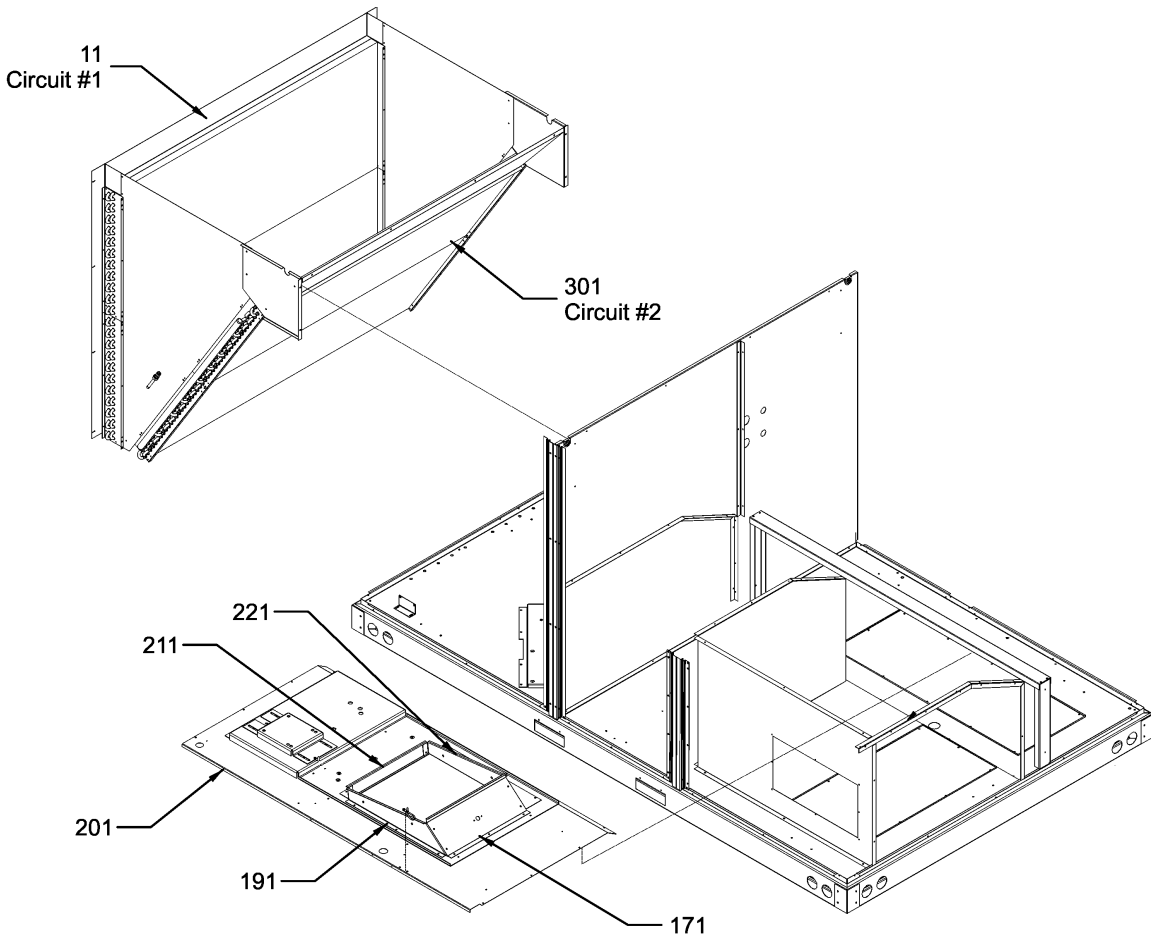
# Partition / Evaporator Assembly

Ref. Part No: No:	Description:	Ref. Part No: No:	Description:
<i>Image 1:</i>			
21	0121L00650		FILTER ANGLE-VERTICAL (RETURN SIDE)
31	0121L00210		EVAP EXTENSION-RETURN SIDE
41	0121L00843		EVAP EXTENSION-HAIRPIN SIDE
51	0121L00649		FILTER ANGLE - HORIZONTAL (QTY 2)
61	0121L00648		FILTER ANGLE - HORIZONTAL (CENTER)
71	0121L00358		FILTER ANGLE-VERTICAL (HAIRPIN SIDE)
81	0202L00007		TUBING ASSY, EVAP COIL (M1, M2, M3, M4, M5, M6, M7, M8, M9, M10, M11, M14, M15, M16, M17, M18, M19, M20, M21)
111	0121L00508		DRAIN PAN SUPPORT
141	0161L00002		DRAIN PAN
151	0121L00374		DECK SIDE CHANNEL
161	0121L00365		ELECTRIC HEAT PANEL
NS	0160L00021		AIR FILTER (QTY 4)
NS	0162L00004		FLOWRATOR [EVAP] (M12, M13)
NS	0162L00011		FLOWRATOR [EVAP] (M1, M2, M3, M4, M5, M6, M7, M8, M9, M10, M11, M14, M15, M16, M17, M18, M19, M20, M21)

## Expanded Model Nomenclature

M1 - CPC120XXX3BXXBBA
M2 - CPC120XXX3BXXJXBA
M3 - CPC120XXX3BXXXBBA
M4 - CPC120XXX3BXXZBA
M5 - CPC120XXX3HXXXBBA
M6 - CPC120XXX4BXXBBA
M7 - CPC120XXX4BXXJXBA
M8 - CPC120XXX4BXXFBBA
M9 - CPC120XXX4BXXXBBA
M10 - CPC120XXX4BXXZBBA
M11 - CPC120XXX4HXXXBBA
M12 - CPC120XXX7BXXJXBA
M13 - CPC120XXX7BXXXBBA
M14 - CPC1200163BAABBA
M15 - CPC1200164HXXABA
M16 - CPC1200303BHXBBA
M17 - CPC1200304BXXBBA
M18 - CPC1200304HXXABA
M19 - CPC1200453BAABBA
M20 - CPC1200453BAAXBBA
M21 - CPC1200453BXXBBA

# Compressor / Condenser / Partition Assy



# Compressor / Condenser / Partition Assy

Ref. Part No:	No:	Description:	Ref. Part No:	No:	Description:
<b>Image 1:</b>					
11	0201L00130	COND COIL ASSY, 5MM (M3, M4, M5, M8, M9, M10, M11, M13, M14, M15, M16, M18, M19, M20, M21)			
11	0201L00174	COND COIL ASSY, 5MM UG (M1, M2, M6, M7, M12, M17)			
171	0121L00168	BLOWER TRANSITION, RH END			
191	0121L00092	BLOWER TRANSITION, FRONT			
201	0121L00928	DECK-BLOWER			
211	0121L00169	BLOWER TRANSITION, LH END			
221	0121L00094	BLOWER TRANSITION, BACK			
241	ZP51K5ETF5130	COMPRESSOR 51000, 208/230/60/3 (M1, M2, M3, M4, M5, M14, M16, M19, M20, M21)			
241	ZP51K5ETFD130	COMPRESSOR 51000, 460/60/3 (M6, M7, M8, M9, M10, M11, M15, M17, M18)			
241	ZP51K5ETFE130	COMPRESSOR 51000, 575/60/3 (M12, M13)			
251	0159L00004	COMPRESSOR SCROLL HARNESS			
261	M0221641	TF SHOULDER SCREW (QTY 8)			
271	B1339533	COMPRESSOR GROMMET (QTY 8)			
281	0121L00408	COMPRESSOR MOUNTING PLATE (QTY 2)			
291	0159L00005	COMPRESSOR SCROLL HARNESS			
301	0201L00136	COND COIL ASSY, 5MM C2 (M3, M4, M5, M8, M9, M10, M11, M13, M14, M15, M16, M18, M19, M20, M21)			
301	0201L00175	COND COIL ASSY, 5MM UG (M1, M2, M6, M7, M12, M17)			

## Expanded Model Nomenclature

M1 - CPC120XXX3BXXBBA
M2 - CPC120XXX3BXXJXBA
M3 - CPC120XXX3BXXXBA
M4 - CPC120XXX3BXXZBA
M5 - CPC120XXX3HXXXBA
M6 - CPC120XXX4BXXBBA
M7 - CPC120XXX4BXXJXBA
M8 - CPC120XXX4BXXFBA
M9 - CPC120XXX4BXXXBA
M10 - CPC120XXX4BXXZBA
M11 - CPC120XXX4HXXXBA
M12 - CPC120XXX7BXXJXBA
M13 - CPC120XXX7BXXXBA
M14 - CPC1200163BAABBA
M15 - CPC1200164HXXABA
M16 - CPC1200303BHXBBA
M17 - CPC1200304BXXBBA
M18 - CPC1200304HXXABA
M19 - CPC1200453BAABBA
M20 - CPC1200453BAAXBBA
M21 - CPC1200453BXXBBA

# Belt Drive Blower and Control Box Assy

Image 1

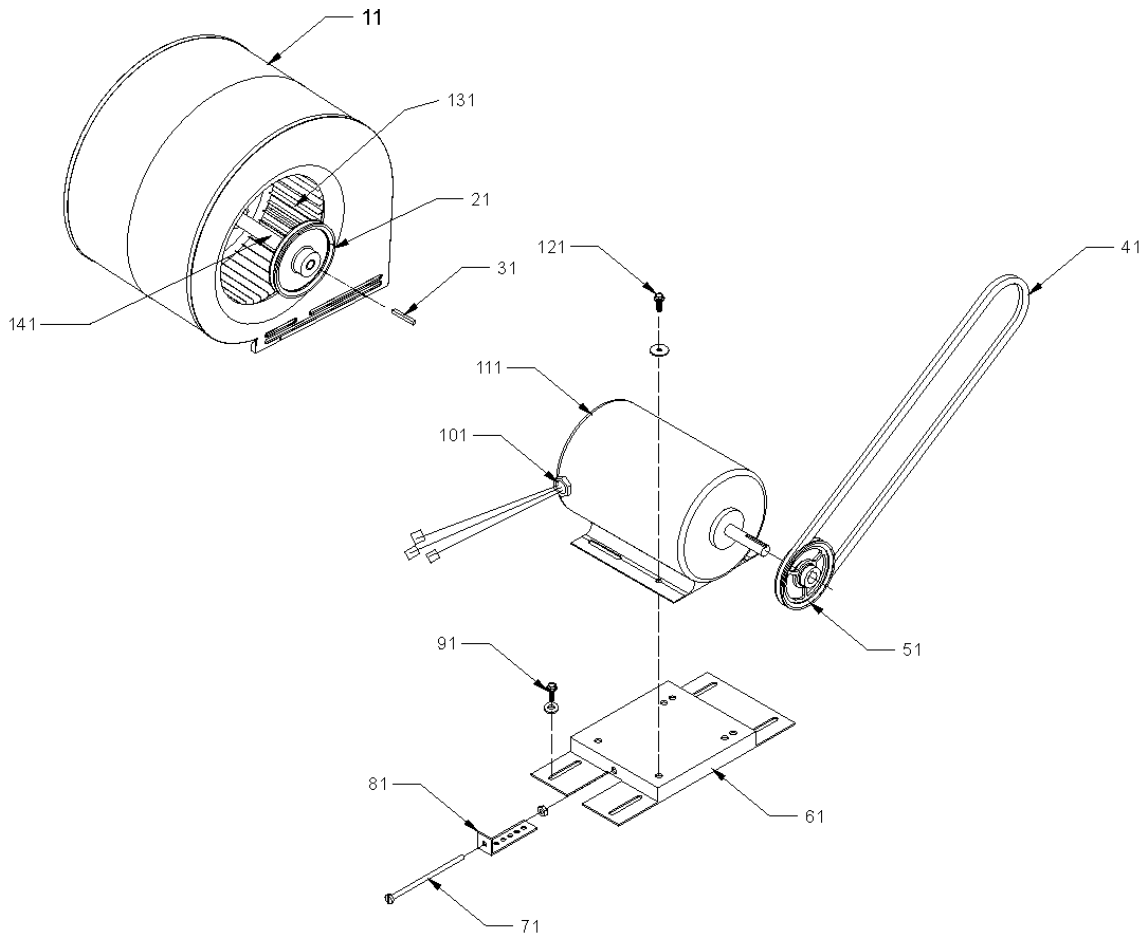
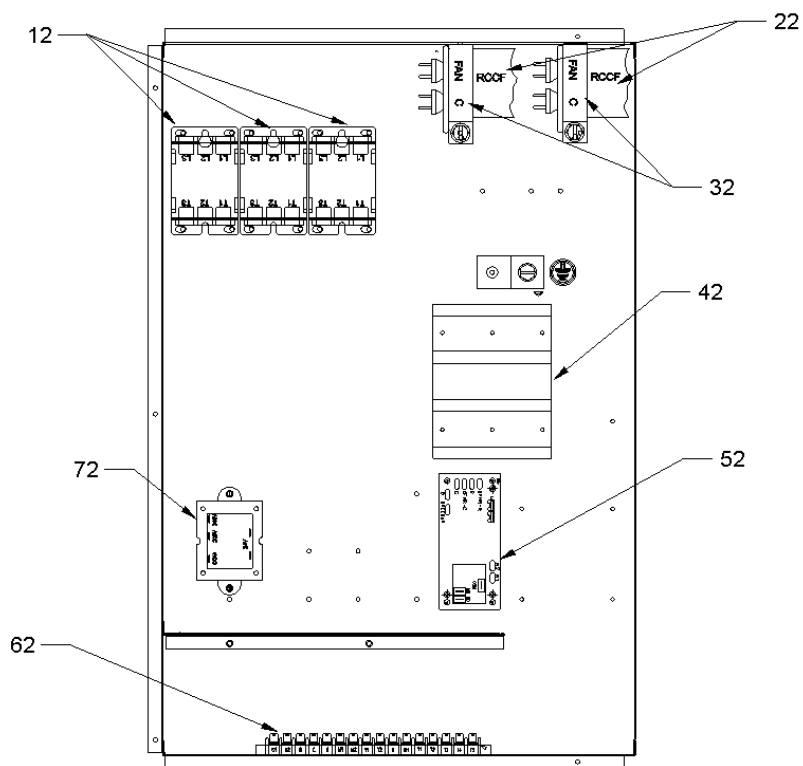


Image 2



# Belt Drive Blower and Control Box Assy

Ref. Part No: No:	Description:	Ref. Part No: No:	Description:
<b>Image 1:</b>		<b>Expanded Model Nomenclature</b>	
11	04-01526 BLOWER HOUSING	M1 - CPC120XXX3BXXBBA	
21	0163L00011 FIXED SHEAVE AK74	M2 - CPC120XXX3BXJXBA	
31	B1398604 STEEL KEY (000158812) 2.0"	M3 - CPC120XXX3BXXXBA	
41	0164L00001 NOTCHED FAN BELT AX49 (M5, M11)	M4 - CPC120XXX3BXXZBA	
41	0164L00000 NOTCHED FAN BELT AX51 (M1, M2, M3, M4, M6, M7, M8, M9, M10, M12, M13, M14, M15, M16, M17, M18, M19, M20, M21)	M5 - CPC120XXX3HXXXBA	
51	B2120014 VARIABLE PITCH SHEAVE 1VL44 X 7/8" (M5, M11)	M6 - CPC120XXX4BXXBBA	
51	0163L00012 VARIABLE PITCH SHEAVE VL40 (M1, M2, M3, M4, M6, M7, M8, M9, M10, M12, M13, M14, M15, M16, M17, M18, M19, M20, M21)	M7 - CPC120XXX4BXJXBA	
61	0270L00015 MOTOR BASE ASSY	M8 - CPC120XXX4BXXFBA	
71	0163M00045 BOLT 1/4-20 X 4"	M9 - CPC120XXX4BXXXBA	
81	3225000F BELT TIGHTENER ANGLE	M10 - CPC120XXX4BXXZBA	
91	B1446707 SCREW 5/16-18 X 1" (QTY 4)	M11 - CPC120XXX4HXXXBA	
101	B1393726 ELECT. CONNECTING BUSHING	M12 - CPC120XXX7BXJXBA	
111	B3240004 BELT DRIVE MOTOR 2 HP (M5, M11, M15, M16, M18)	M13 - CPC120XXX7BXXXBA	
111	B3240006 BELT DRIVE MOTOR 2 HP (M1, M2, M3, M4, M6, M7, M8, M9, M10, M14, M15, M16, M17, M18, M19, M20, M21)	M14 - CPC1200163BAABBA	
111	0131L00005 BELT DRIVE MOTOR 2 HP 575 V (M12, M13)	M15 - CPC1200164HXXABA	
121	B1393738 BOLT 1/4-20 X 3/4" (QTY 4)	M16 - CPC1200303BHXBBA	
131	03-78497 BLOWER WHEEL	M17 - CPC1200304BXXBBA	
141	04-11526 BLOWER SHAFT	M18 - CPC1200304HXXABA	
NS	04-02196 BEARING & FRAME ASSY	M19 - CPC1200453BAABBA	
NS	0259L00008 MOTOR HARNESS-BELT DRIVE	M20 - CPC1200453BAAXBA	
NS	0259L00008 MOTOR HARNESS-BELT DRIVE	M21 - CPC1200453BXAXBA	
<b>Image 2:</b>			
12	CONT3P025024V CONTACTOR 25 AMP, 3P, 24V (QTY 3)		
22	CAP100000370LA CAPACITOR 10/370V (M3, M4, M16)		
22	CAP050000370VA CAPACITOR 5/370V (M1, M2, M5, M6, M7, M8, M9, M10, M11, M12, M13, M14, M15, M17, M18, M19, M20, M21)		
32	20520901 CAPACITOR STRAP (QTY 2)		
42	16330-3S POWER BLOCK		
52	PCBFM131 ELECTRONIC BLOWER TIME DELAY		
62	0130M00038 TERMINAL BOARD		
72	B1141653 TRANSFORMER 480V, 75VA, RESETTABLE (M6, M7, M8, M9, M10, M11, M15, M17, M18)		
72	B1141672 TRANSFORMER 480V, 75VA, RESETTABLE (M1, M2, M3, M4, M5, M14, M16, M19, M20, M21)		
72	0130M00045 TRANSFORMER 575/24V (M12, M13)		
NS	0259L00019 CONTROL HARNESS		
NS	0259L00030 ECONOMIZER HARNESS		
NS	0259L00032 LCM HARNESS, ELECTRIC HEAT		
NS	0259L00087 POWER HARNESS		

# Accessory Parts List

# ACCESSORY PARTS

Ref. Part No:	Description:	Ref. Part No:	Description:
---------------	--------------	---------------	--------------

**Image 1:**

NS 0130M00065	CIRCUIT BREAKER, CONVENIENCE OUTLET (M14, M16, M19)
NS 0270L00274	CONVENIENCE OUTLET ASSY-NP (M8, M14, M15, M16, M18, M19)
NS DNECONGS90120	ECONOMIZER DOWNFLOW GAS/AC (M14, M19, M20)
NS HAILGD02FI	HAIL GUARD ASSY (M1, M6, M14, M17, M19, M20, M21)
NS LAKT03	LOW AMBIENT KIT (M8)
NS SDSRKT01FI75T12	SMOKE DETECTOR ASSEMBLY (M4, M10)
NS 0130M00061	TRANSFORMER, CONVENIENCE OUTLET (M14, M16, M19)

**Expanded Model Nomenclature**

- M1 - CPC120XXX3BXXBBA
- M2 - CPC120XXX3BXXJXBA
- M3 - CPC120XXX3BXXXBBA
- M4 - CPC120XXX3BXXZBA
- M5 - CPC120XXX3HXXXBA
- M6 - CPC120XXX4BXXBBA
- M7 - CPC120XXX4BXXJXBA
- M8 - CPC120XXX4BXXFBA
- M9 - CPC120XXX4BXXXBBA
- M10 - CPC120XXX4BXXZBA
- M11 - CPC120XXX4HXXXBA
- M12 - CPC120XXX7BXXJXBA
- M13 - CPC120XXX7BXXXBBA
- M14 - CPC1200163BAABBA
- M15 - CPC1200164HXXABA
- M16 - CPC1200303BHXBBA
- M17 - CPC1200304BXXBBA
- M18 - CPC1200304HXXABA
- M19 - CPC1200453BAABBA
- M20 - CPC1200453BAAXBA
- M21 - CPC1200453BXAXBA