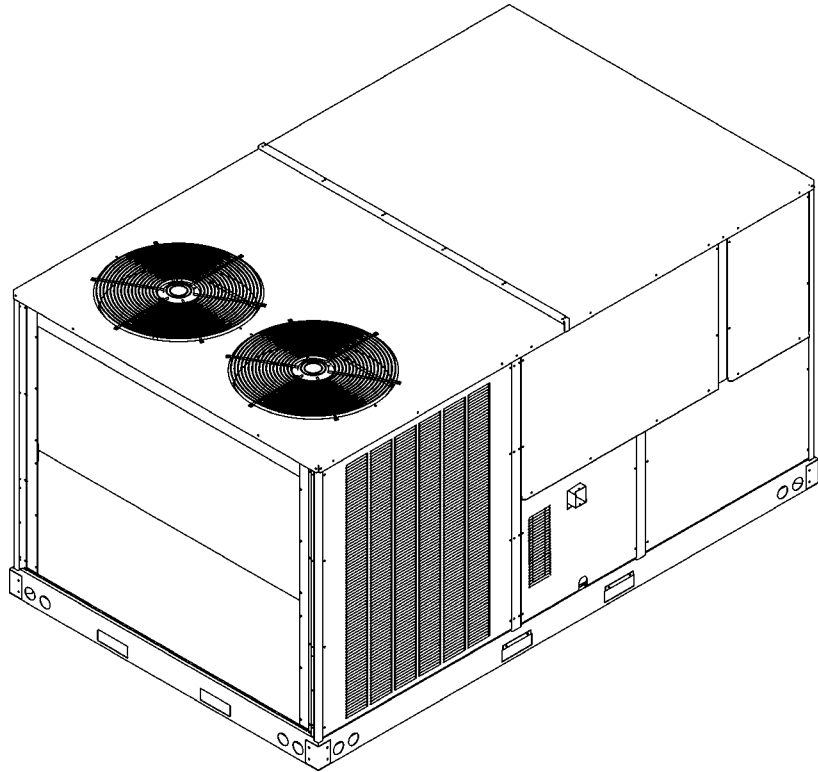


# REPAIR PARTS

---

## Commercial 7.5 Ton Package Cooler

CPC0900164BAXCCA  
CPC090XXX3BXXFCA  
CPC090XXX3BXXXCA  
CPC090XXX4BXXXCA  
CPC090XXX7BXXXCA



This manual is to be used by qualified technicians only.

© 2012 Goodman Manufacturing Company, L.P. ♦ 5151 San Felipe, Suite 500 ♦ Houston, TX 77056

# Important Information

---

## Index

Functional Parts List .....	3
Illustration and Parts .....	4 - 15

*Views shown are for parts illustrations only, not servicing procedures.*

Models with 5mm condenser coils and 5/16 evaporator coils.

### Text Codes:

AR - As Required

NA - Not Available

NS - Not Shown

00000000 - See Note

QTY - Quantity Example (QTY 3) (If Quantity not shown, Quantity = 1)

M - Model Example (M1) (If M Code not shown, then part is used on all Models)

### Expanded Model Nomenclature:

Example M1 - Model#1 M2 - Model#2 M3 - Model#3
---

Goodman Manufacturing Company, L.P. is not responsible for personal injury or property damage resulting from improper service. Review all service information before beginning repairs.

Warranty service must be performed by an authorized technician, using authorized factory parts. If service is required after the warranty expires, Goodman Manufacturing Company, L.P. also recommends contacting an authorized technician and using authorized factory parts.

Goodman Manufacturing Company, L.P. reserves the right to discontinue, or change at any time, specifications or designs without notice or without incurring obligations.

For assistance within the U.S.A. contact:  
Consumer Affairs Department  
Goodman Manufacturing Company, L.P.  
7401 Security Way  
Houston, Texas 77040  
877-254-4729-Telephone  
713-863-2382-Facsimile

For assistance outside the U.S.A. contact:  
International Division  
Goodman Manufacturing Company, L.P.  
7401 Security Way  
Houston, Texas 77040  
713-861-2500-Telephone  
713-863-2382-Facsimile

# Functional Parts

## Part

## No:

## Description:

---

B3240007S	BELT DRIVE MOTOR 1.5 HP (M1, M2, M3, M5)
0131L00004	BELT DRIVE MOTOR-1.5 HP 575 (M4)
03-77429	BLOWER WHEEL
CAP050000370VA	CAPACITOR 5/370V (QTY 2)
ZP39K5ETFD130	COMP, 39000, 460/60/3 (M3, M5)
ZP39K5ETF5130	COMPRESSOR 39000, 200/230/60/3 (M1, M2)
ZP39K5ETFE130	COMPRESSOR 39000, 575/60/3 (M4)
0131M00007P	COND MOTOR 1/4 HP, 1 SP, 6 PL (M1, M2)
B13400269	COND MOTOR 380/460 50/60 CYCLE (M3, M5)
0131M00098	COND MOTOR 575V (M4)
CONT3P025024V	CONTACTOR 25 AMP, 3P, 24V (QTY 3)
0130M00030	CUT-OUT SWITCH, HIGH PRESSURE
0130M00031	CUT-OUT SWITCH, HIGH PRESSURE
0130L00003	CUT-OUT SWITCH, LOW PRESSURE
0130L00002	CUT-OUT SWITCH, LOW PRESSURE
0150G00001	FAN BLADE (QTY 2)
0162L00003	FLOWRATOR [EVAP] (QTY 2)
0164L00000	NOTCHED FAN BELT AX51
16330-3	POWER BLOCK
0130M00038	TERMINAL BOARD
B1141672	TRANSFORMER 480V, 75VA, RESETTABLE (M1, M2)
B1141653	TRANSFORMER 480V, 75VA, RESETTABLE (M3, M5)
0130M00045	TRANSFORMER 575/24V (M4)

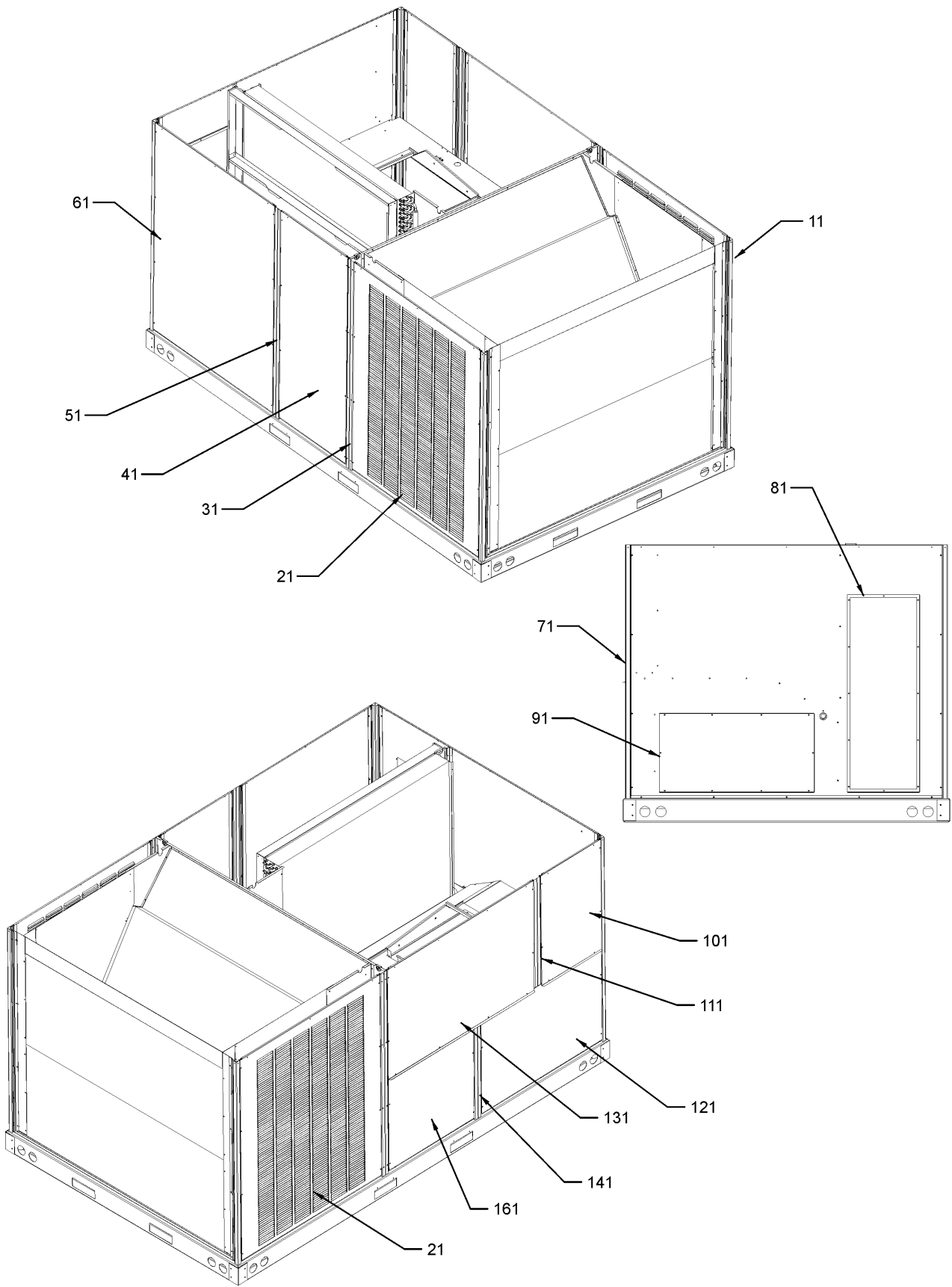
## SPECIAL PARTS

B1369608 AIR FILTER 20 X 16 X 2 (QTY 4)

## Expanded Model Nomenclature

M1 - CPC090XXX3BXXFCA
M2 - CPC090XXX3BXXXCA
M3 - CPC090XXX4BXXXCA
M4 - CPC090XXX7BXXXCA
M5 - CPC0900164BAXCCA

# Cabinet Assy



# Cabinet Assy

Ref. Part No: No:	Description:	Ref. Part No: No:	Description:
-------------------	--------------	-------------------	--------------

---

Image 1:

11	0121L00065RFDG	CORNER POST (QTY 4)
21	0121L00511DG	LOUVERED SIDE PANEL (QTY 2)
31	0121L00738RFDG	PNT, ROLL FORM SIDE POST (QTY 2)
41	0270L00272	INSUL FILTER DOOR ASSY
51	0121L00739RFDG	PNT, RFORM, FILTER DOOR POST
61	0270L00175	INSULATED ASSY, ECONOMIZER DOOR
71	0270L00180	INSULATED ASSY, DUCT PANEL
81	0270L00041	INSULATED ASSY, SUPPLY DUCT
91	0270L00040	INSULATED ASSY, RETURN DUCT
101	0121L00764DG	PNT, DOOR, CONTROL
111	0121L00762RFDG	RF, PNT, POST, CONTROL BOX
121	0270L00299	INSUL HEAT EXCH DOOR ASSY
131	0270L00298	INSUL BLWR DOOR ASSY
141	0121L00765RFDG	RF, PNT, POST, BURNER BOX
161	0121L00828DG	PNT, DOOR, BURNER AREA

Expanded Model Nomenclature

- M1 - CPC090XXX3BXXFCA
- M2 - CPC090XXX3BXXXCA
- M3 - CPC090XXX4BXXXCA
- M4 - CPC090XXX7BXXXCA
- M5 - CPC0900164BAXCCA

# Top Panel / Tubing Assy

Image 1

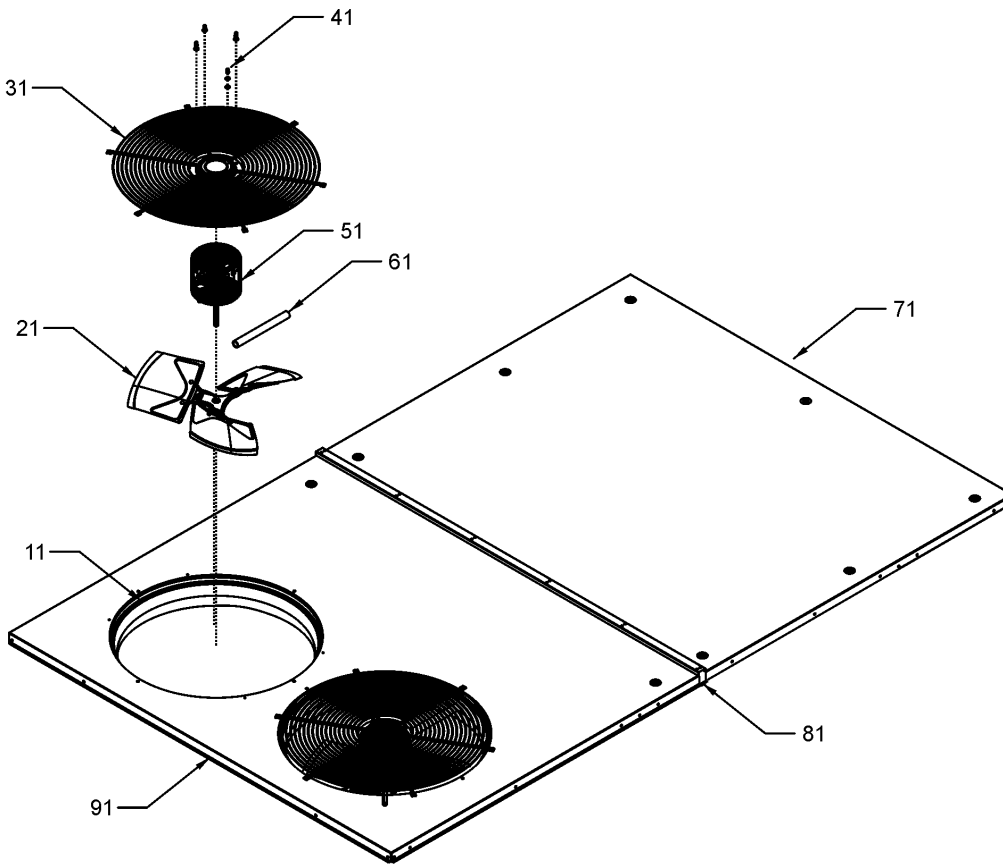
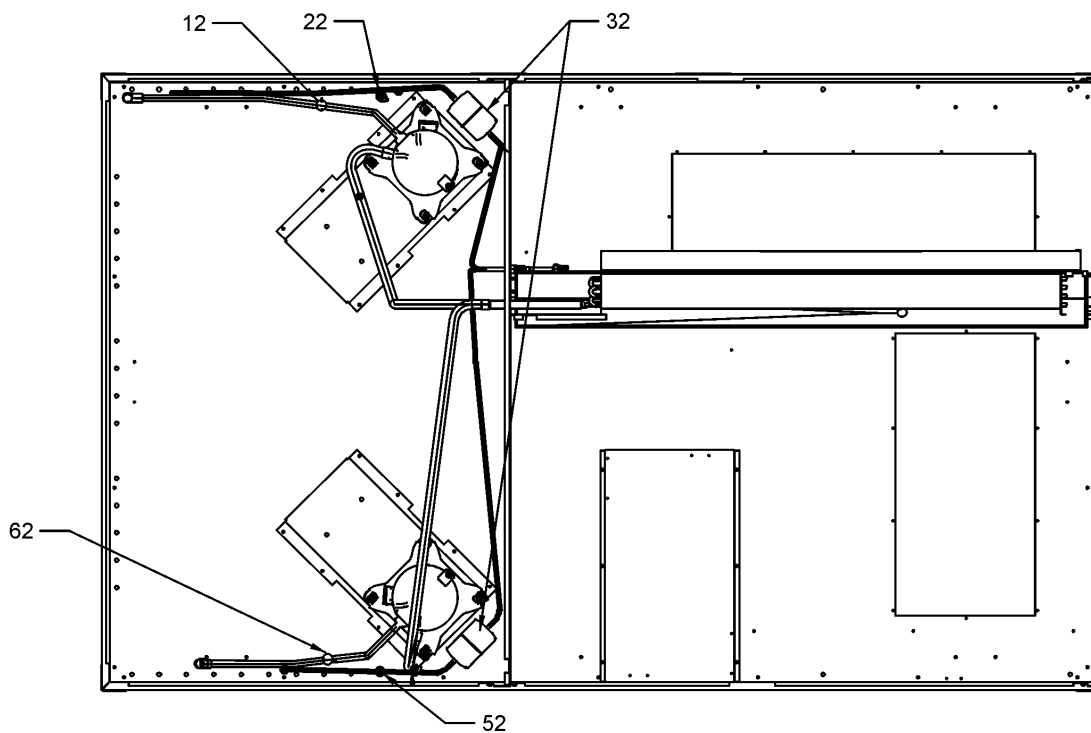


Image 2



# Top Panel / Tubing Assy

Ref. Part No: No:	Description:	Ref. Part No: No:	Description:
-------------------	--------------	-------------------	--------------

*Image 1:*

11	0161L00000	VENTURI RING 22" (QTY 2)
21	0150G00001	FAN BLADE (QTY 2)
31	0152G00002	GRILLE-FAN (QTY 2)
41	0163M00006P	ACORN NUT 5/16 HEX BLACK (QTY 8)
51	0131M00007P	COND MOTOR 1/4 HP, 1 SP, 6 PL (M1, M2)
51	B13400269	COND MOTOR 380/460 50/60 CYCLE (M3, M5)
51	0131M00098	COND MOTOR 575V (M4)
61	17788000083F	PVC CONDUIT 8.25" (QTY 2)
71	0121L00497DG	EVAP TOP PANEL
81	0121L00121	SPLICE-COND PLATE
91	0121L01014DG	COND TOP PANEL
NS	0259L00025	COND MOTOR HARNESS 230V (M1, M2, M4)
NS	0259L00027	COND MOTOR HARNESS 230V (M1, M2, M4)
NS	0259L00026	COND MOTOR HARNESS 460V (M3, M5)
NS	0259L00028	COND MOTOR HARNESS 460V (M3, M5)

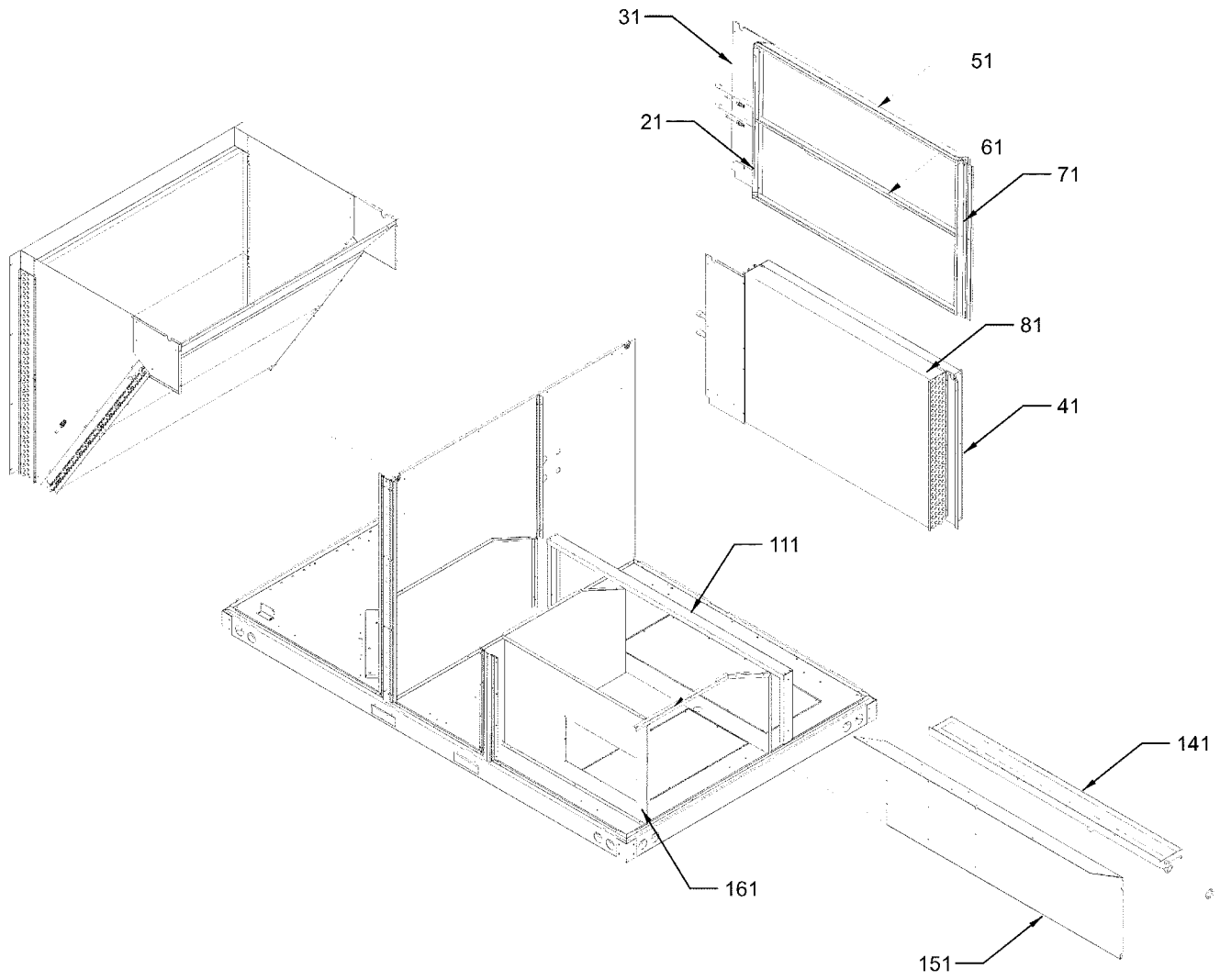
*Image 2:*

12	0130M00031	CUT-OUT SWITCH, HIGH PRESSURE
22	0130L00003	CUT-OUT SWITCH, LOW PRESSURE
32	20485201	BI-FLOW FILTER DRIER
52	0130L00002	CUT-OUT SWITCH, LOW PRESSURE
62	0130M00030	CUT-OUT SWITCH, HIGH PRESSURE
NS	B1373315	ACCESS FITTING (QTY 4)
NS	0163M00175	CAP WITH O-RING (QTY 4)

Expanded Model Nomenclature

M1 - CPC090XXX3BXXFCA
M2 - CPC090XXX3BXXXCA
M3 - CPC090XXX4BXXXCA
M4 - CPC090XXX7BXXXCA
M5 - CPC0900164BAXCCA

# Partition / Evaporator Assembly



# Partition / Evaporator Assembly

Ref. Part No:	No:	Description:	Ref. Part No:	No:	Description:
---------------	-----	--------------	---------------	-----	--------------

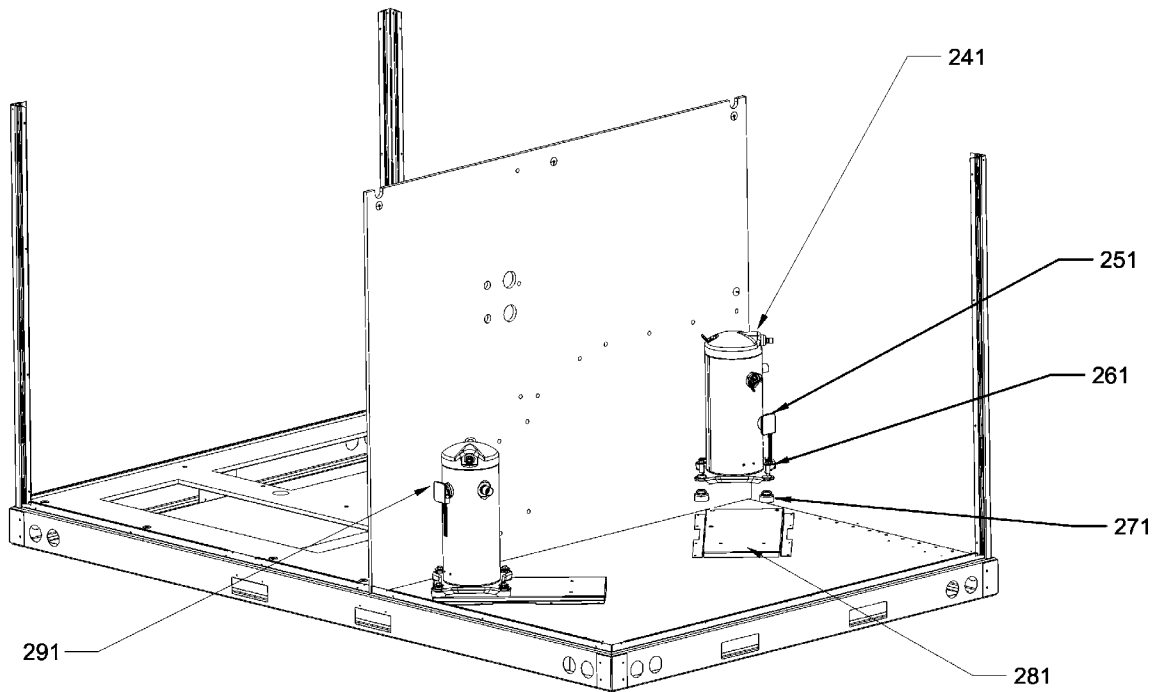
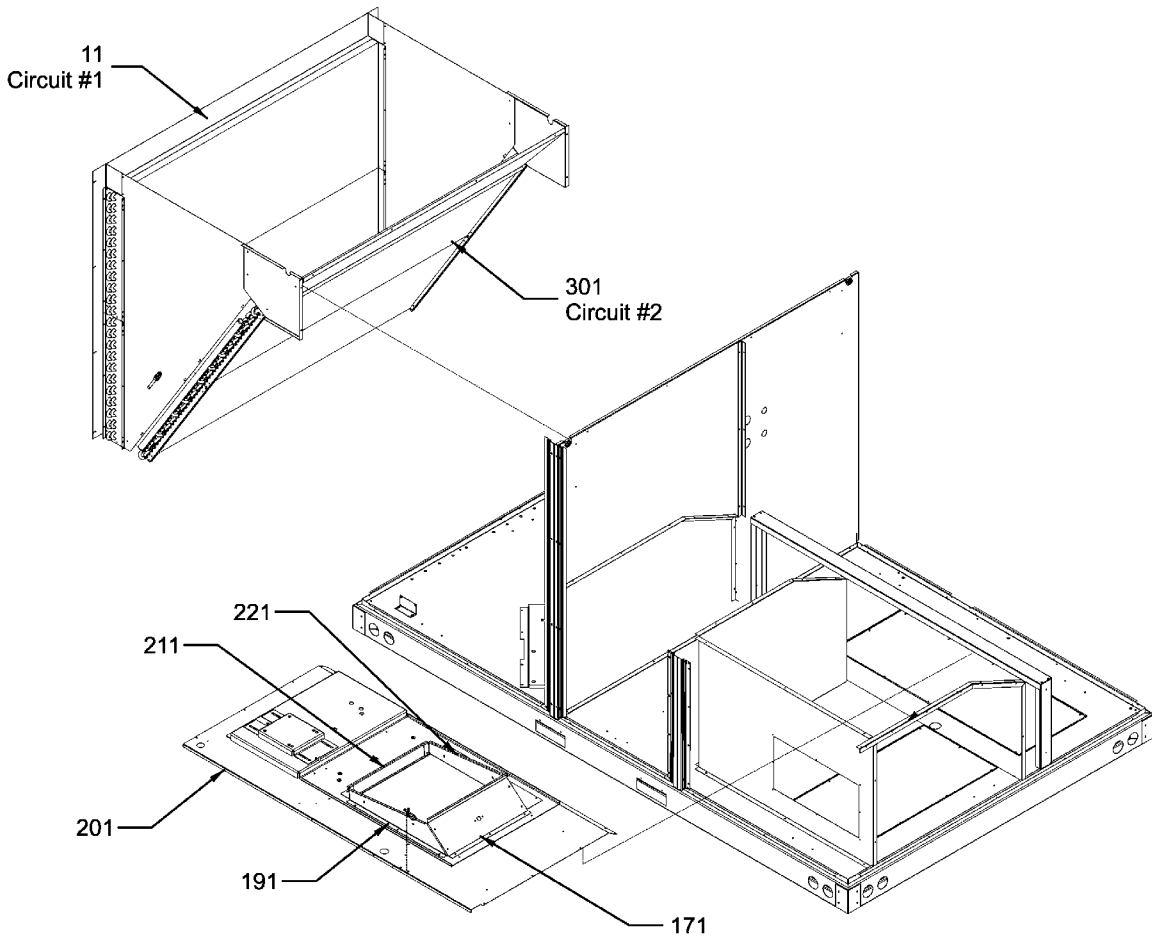
Image 1:

21	0121L00357	FILTER ANGLE-VERTICAL (RETURN SIDE)
31	0121L00210	EVAP EXTENSION-RETURN SIDE
41	0121L00498	EVAP EXTENSION-HAIRPIN SIDE
51	0121L00932	FILTER ANGLE- HORIZONTAL (QTY 2)
61	0121L00298	FILTER ANGLE-HORIZONTAL (CENTER)
71	0121L00358	FILTER ANGLE-VERTICAL (HAIRPIN SIDE)
81	0202L00066	EVAP COIL TUBING ASSY
111	0121L00508	DRAIN PAN SUPPORT
141	0161L00002	DRAIN PAN
151	0121L00374	DECK SIDE CHANNEL
161	0121L00365	ELECTRIC HEAT PANEL
NS	B1369608	AIR FILTER 20 X 16 X 2 (QTY 4)
NS	0162L00003	FLOWRATOR [EVAP] (QTY 2)

Expanded Model Nomenclature

M1 - CPC090XXX3BXXFCA
M2 - CPC090XXX3BXXXCA
M3 - CPC090XXX4BXXXCA
M4 - CPC090XXX7BXXXCA
M5 - CPC0900164BAXCCA

# Compressor / Condenser / Partition Assy



# Compressor / Condenser / Partition Assy

Ref. Part No: No:	Description:	Ref. Part No: No:	Description:
-------------------	--------------	-------------------	--------------

Image 1:

11	0201L00128	COND COIL ASSY, 5MM C1
171	0121L00090	BLOWER TRANSITION, RH END
191	0121L00092	BLOWER TRANSITION, FRONT
201	0121L00928	DECK-BLOWER
211	0121L00097	BLOWER TRANSITION, LH END
221	0121L00145	BLOWER TRANSITION, BACK
241	ZP39K5ETFD130	COMP, 39000, 460/60/3 (M3, M5)
241	ZP39K5ETF5130	COMPRESSOR 39000, 200/230/60/3 (M1, M2)
241	ZP39K5ETFE130	COMPRESSOR 39000, 575/60/3 (M4)
251	0159L00004	COMPRESSOR SCROLL HARNESS
261	M0221641	TF SHOULDER SCREW (QTY 8)
271	B1339533	COMPRESSOR GROMMET (QTY 8)
281	0121L00408	COMPRESSOR MOUNTING PLATE (QTY 2)
291	0159L00005	COMPRESSOR SCROLL HARNESS
301	0201L00129	COND COIL ASSY, 5MM C2

Expanded Model Nomenclature

- M1 - CPC090XXX3BXXFCA
- M2 - CPC090XXX3BXXXCA
- M3 - CPC090XXX4BXXXCA
- M4 - CPC090XXX7BXXXCA
- M5 - CPC0900164BAXCCA

# Belt Drive Blower and Control Box Assy

Image 1

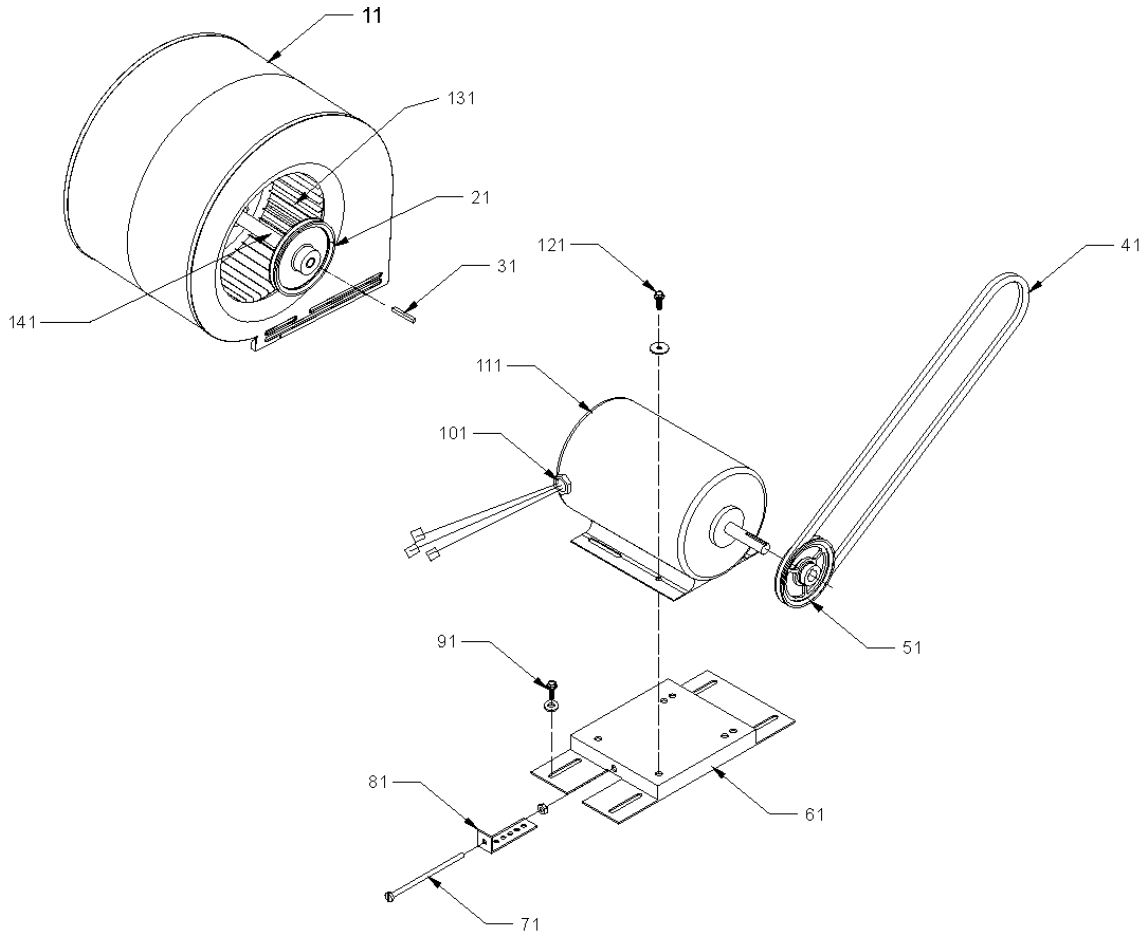
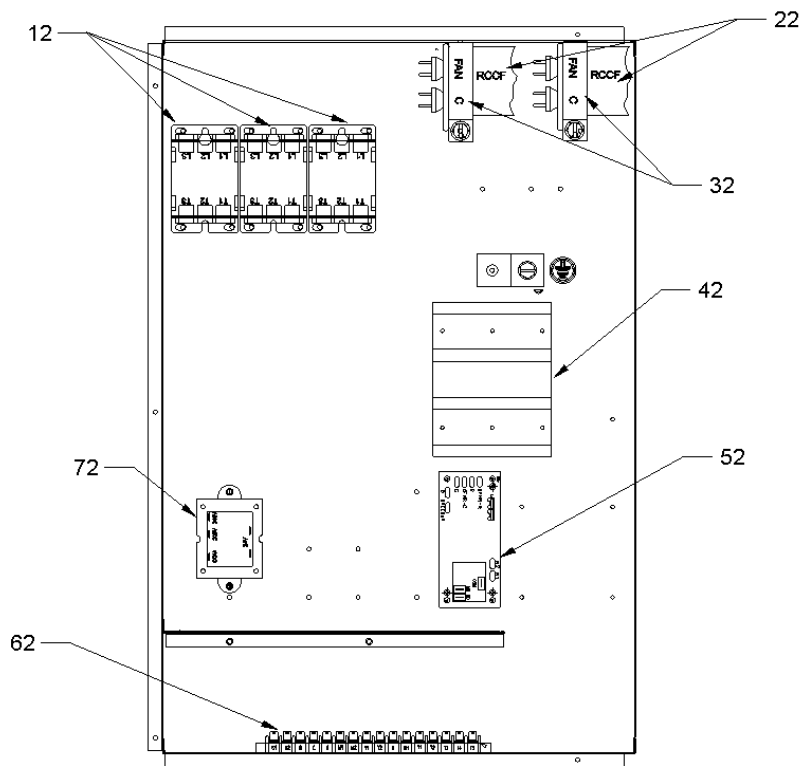


Image 2



# Belt Drive Blower and Control Box Assy

Ref. Part No: No:	Description:	Ref. Part No: No:	Description:
-------------------	--------------	-------------------	--------------

*Image 1:*

11	04-01525	BLOWER HOUSING
21	0163L00011	FIXED SHEAVE AK74
31	B1398604	STEEL KEY (000158812) 2.0"
41	0164L00000	NOTCHED FAN BELT AX51
51	0163L00024	VARIABLE PITCH SHEAVE 1VL40 X 5/8" (M4)
51	0163L00012	VARIABLE PITCH SHEAVE VL40 (M1, M2, M3, M5)
61	0270L00015	MOTOR BASE ASSY
71	0163M00045	BOLT 1/4-20 X 4"
81	3225000F	BELT TIGHTENER ANGLE
91	B1446707	SCREW 5/16-18 X 1" (QTY 4)
101	B1393726	ELECT. CONNECTING BUSHING
111	B3240007S	BELT DRIVE MOTOR 1.5 HP (M1, M2, M3, M5)
111	0131L00004	BELT DRIVE MOTOR-1.5 HP 575 (M4)
121	B1393738	BOLT 1/4-20 X 3/4" (QTY 4)
131	03-77429	BLOWER WHEEL
141	04-11525	BLOWER SHAFT
NS	04-02196	BEARING & FRAME ASSY
NS	0259L00008	MOTOR HARNESS-BELT DRIVE

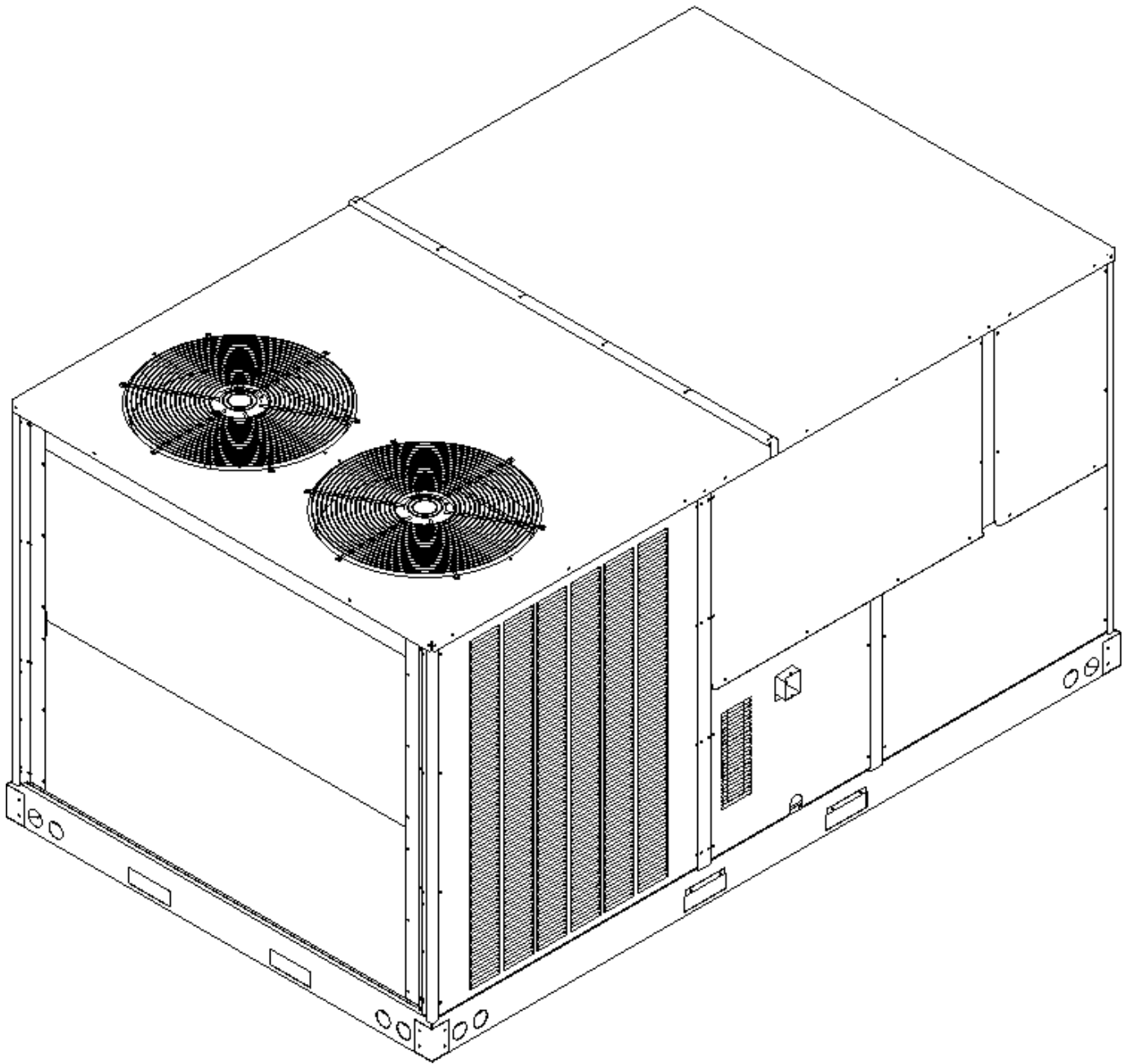
*Image 2:*

12	CONT3P025024V	CONTACTOR 25 AMP, 3P, 24V (QTY 3)
22	CAP050000370VA	CAPACITOR 5/370V (QTY 2)
32	20520901	CAPACITOR STRAP (QTY 8)
42	16330-3	POWER BLOCK
52	PCBFM131	ELECTRONIC BLOWER TIME DELAY RELAY
62	0130M00038	TERMINAL BOARD
72	B1141653	TRANSFORMER 480V, 75VA, RESETTABLE (M3, M5)
72	B1141672	TRANSFORMER 480V, 75VA, RESETTABLE (M1, M2)
72	0130M00045	TRANSFORMER 575/24V (M4)
NS	0259L00019	CONTROL HARNESS
NS	0259L00030	ECONOMIZER HARNESS
NS	0259L00032	LCM HARNESS, ELECTRIC HEAT
NS	0259L00087	POWER HARNESS

Expanded Model Nomenclature

M1 - CPC090XXX3BXXFCA
M2 - CPC090XXX3BXXXCA
M3 - CPC090XXX4BXXXCA
M4 - CPC090XXX7BXXXCA
M5 - CPC0900164BAXCCA

# Accessory Parts List



# ACCESSORY PARTS

<b>Ref. Part No: No:</b>	<b>Description:</b>	<b>Ref. Part No: No:</b>	<b>Description:</b>
------------------------------	---------------------	------------------------------	---------------------

---

Image 1:

NS 0270L00274	CONVENIENCE OUTLET ASSY-NP (M1)
NS DNECONGS90120	ECONOMIZER DOWNFLOW GAS/AC (M5)
NS LAKT09150FIAC3	LOW AMBIENT KIT-7.5-12.5 T 230 (M1)
NS LAKT09150FIAC4	LOW AMBIENT KIT-7.5-12.5 T 460 (M5)

Expanded Model Nomenclature

M1 - CPC090XXX3BXXFCA
M2 - CPC090XXX3BXXXCA
M3 - CPC090XXX4BXXXCA
M4 - CPC090XXX7BXXXCA
M5 - CPC0900164BAXCCA