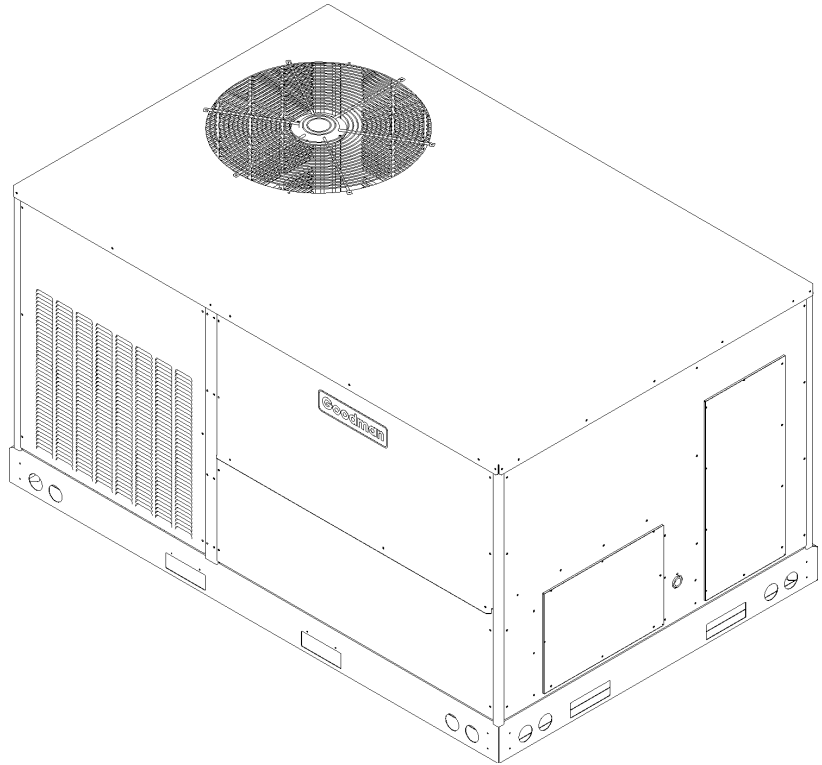


REPAIR PARTS

Commercial 3 - 6 Ton Package Cooling Units

CPC0360103HXBCBA
CPC0480103HXBCBA
CPC0600103HXBCBA
CPC0600154HXAMBA
CPC060XXX3BXXABA
CPC0720103HXBCBA
CPC072XXX4HXXXBA



This manual is to be used by qualified technicians only.

This manual replaces RP-726.

© 2012,2016 Goodman Manufacturing Company, L.P. ♦ 5151 San Felipe St., Suite 500 ♦ Houston, TX 77056

Important Information

Index

Functional Parts List	3
Illustration and Parts	4 - 15

Views shown are for parts illustrations only, not servicing procedures

Text Codes:

AR - As Required

NA - Not Available

NS - Not Shown

00000000 - See Note

QTY - Quantity Example (QTY 3) (If Quantity not shown, Quantity = 1)

M - Model Example (M1) (If M Code not shown, then part is used on all Models)

Expanded Model Nomenclature:

Example M1 - Model#1 M2 - Model#2 M3 - Model#3

Goodman Manufacturing Company, L.P. is not responsible for personal injury or property damage resulting from improper service. Review all service information before beginning repairs.

Warranty service must be performed by an authorized technician, using authorized factory parts. If service is required after the warranty expires, Goodman Manufacturing Company, L.P. also recommends contacting an authorized technician and using authorized factory parts.

Goodman Manufacturing Company, L.P. reserves the right to discontinue, or change at any time, specifications or designs without notice or without incurring obligations.

For assistance within the U.S.A. contact:
Consumer Affairs Department
Goodman Manufacturing Company, L.P.
7401 Security Way
Houston, Texas 77040
877-254-4729-Telephone
713-863-2382-Facsimile

For assistance outside the U.S.A. contact:
International Division
Goodman Manufacturing Company, L.P.
7401 Security Way
Houston, Texas 77040
713-861-2500-Telephone
713-863-2382-Facsimile

Functional Parts

Part

No: Description:

B1368056	BELT DRIVE BLOWER WHEEL
0131L00003	BELT DRIVE MOTOR 1 HP (M1, M2, M3, M4, M5)
B3240006	BELT DRIVE MOTOR 2 HP (M6, M7)
CAP050000370VA	CAPACITOR 5/370V
20520901	CAPACITOR STRAP
ZP31K5ETF5130	COMPRESSOR 31200, 200/230/60/3 (M1)
ZP39K5ETF5130	COMPRESSOR 39000, 200/230/60/3 (M2)
ZP51K5ETF5130	COMPRESSOR 51000, 208/230/60/3 (M3, M4)
ZP51K5ETFD130	COMPRESSOR 51000, 460/60/3 (M5)
ZP61KCETF5130	COMPRESSOR 61500, 200/230/60/3 (M7)
ZP61KCETFD130	COMPRESSOR 61500, 460/60/3 (M6)
0131M00008P	COND MOTOR 1/3 HP, 1 SP, 6 PL (M7)
B13400249	COND MOTOR 1/3 HP, 460V (M6)
0131M00007P	COND MOTOR 1/4 HP, 1 SP, 6 PL (M1, M2, M3, M4)
B13400269	COND MOTOR 380/460 50/60 CYCLE (M5)
CONT3P025024V	CONTACTOR 25 AMP, 3P, 24V (M5, M6)
CONT3P030024V	CONTACTOR 30 AMP, 3P, 24V (M1, M2, M3, M4, M7)
0130M00055	CUT-OUT SWITCH, HIGH PRESSURE
0130L00007	CUT-OUT SWITCH, LOW PRESSURE
PCBFM131	ELECTRONIC BLOWER TIME DELAY
0150G00001	FAN BLADE (M1, M2, M3, M4, M5)
B1086765	FAN BLADE TYPE 3 (M6, M7)
0130M00038	TERMINAL BOARD
B1141643	TRANSFORMER 208/230, 24V (M1, M2, M3, M4, M7)
B1141653	TRANSFORMER 480V, 75VA, RESETTABLE (M5, M6)

Expanded Model Nomenclature

M1 - CPC0360103HXBCBA
M2 - CPC0480103HXBCBA
M3 - CPC060XXX3BXXABA
M4 - CPC0600103HXBCBA
M5 - CPC0600154HXAMBA
M6 - CPC072XXX4HXXXBA
M7 - CPC0720103HXBCBA

Top Panel/Tubing Assy

Image 1

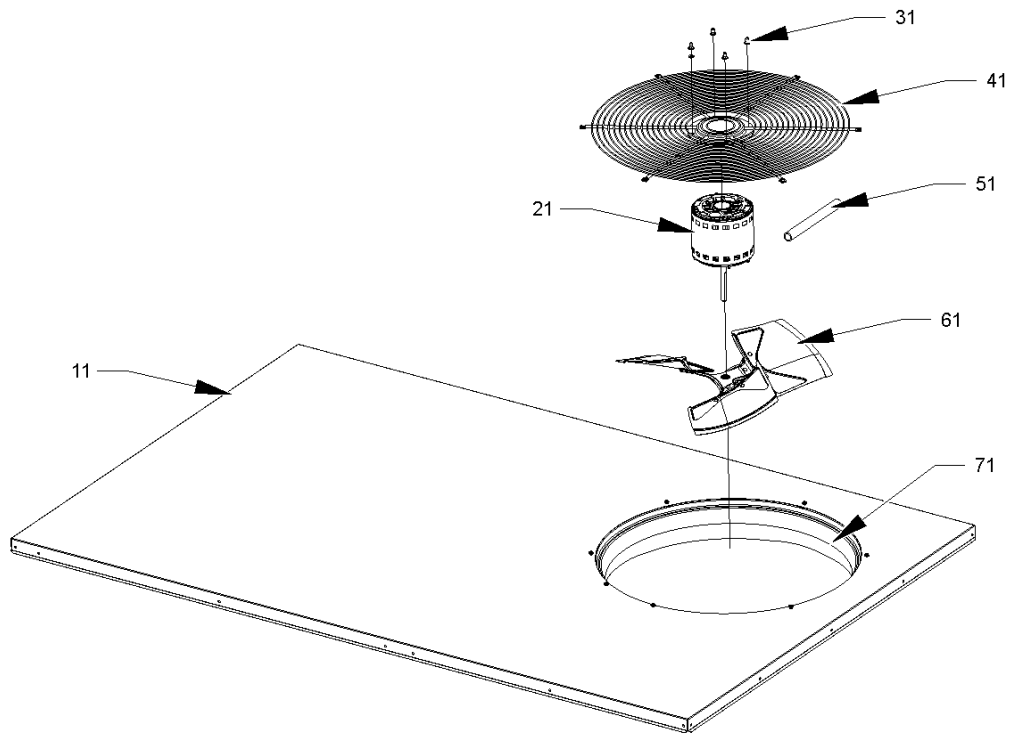
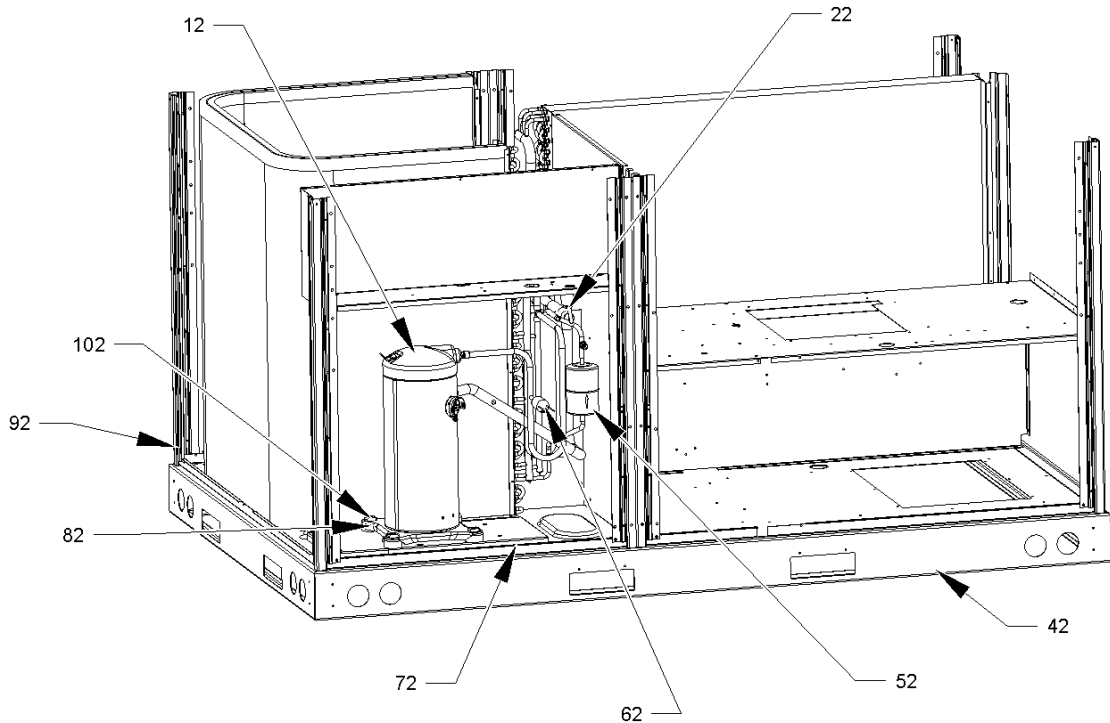


Image 2



Top Panel/Tubing Assy

Ref. Part No: No:	Description:	Ref. Part No: No:	Description:
-------------------	--------------	-------------------	--------------

Image 1:

11	0270L00086	INSULATED ASSY, TOP PANEL (M1, M2, M3, M4)
11	0274L00018	INSULATED ASSY, TOP PANEL (M7)
11	0274L00019	INSULATED ASSY, TOP PANEL (M6)
11	0274L00086	INSULATED ASSY, TOP PANEL (M5)
21	0131M00008P	COND MOTOR 1/3 HP, 1 SP, 6 PL (M7)
21	B13400249	COND MOTOR 1/3 HP, 460V (M6)
21	0131M00007P	COND MOTOR 1/4 HP, 1 SP, 6 PL (M1, M2, M3,
21	B13400269	COND MOTOR 380/460 50/60 CYCLE (M5)
31	0163M00006P	ACORN NUT 5/16 HEX BLACK (QTY 4)
41	0152G00003	FAN GRILLE
51	17788000083F	PVC CONDUIT 8.25"
61	0150G00001	FAN BLADE (M1, M2, M3, M4, M5)
61	B1086765	FAN BLADE TYPE 3 (M6, M7)
71	0161L00000	VENTURI RING 22"

Image 2:

12	ZP31K5ETF5130	COMPRESSOR 31200, 200/230/60/3 (M1)
12	ZP39K5ETF5130	COMPRESSOR 39000, 200/230/60/3 (M2)
12	ZP51K5ETF5130	COMPRESSOR 51000, 208/230/60/3 (M3, M4)
12	ZP51K5ETFD130	COMPRESSOR 51000, 460/60/3 (M5)
12	ZP61KCETF5130	COMPRESSOR 61500, 200/230/60/3 (M7)
12	ZP61KCETFD130	COMPRESSOR 61500, 460/60/3 (M6)
22	0130L00007	CUT-OUT SWITCH, LOW PRESSURE
42	0121L00244RF	SIDE RAIL (QTY 2)
52	20485201	BI-FLOW FILTER DRIER (M6, M7)
52	0162R00009	FILTER DRIER (M3, M4, M5)
52	B1219225	SINGLE-FLOW FILTER DRIER, STEEL (M1, M2)
62	0130M00055	CUT-OUT SWITCH, HIGH PRESSURE
72	0121L00310	COMPRESSOR MOUNTING PLATE
82	B1339533	COMPRESSOR GROMMET (QTY 4)
92	0121L00245	END RAIL (QTY 2)
102	M0221641	TF SHOULDER SCREW (QTY 4)
NS	0159L00028	COMPRESSOR SCROLL HARNESS

Expanded Model Nomenclature

M1 - CPC0360103HXBCBA
M2 - CPC0480103HXBCBA
M3 - CPC060XXX3BXXABA
M4 - CPC0600103HXBCBA
M5 - CPC0600154HXAMBA
M6 - CPC072XXX4HXXXBA
M7 - CPC0720103HXBCBA

Cabinet Assy

Image 1

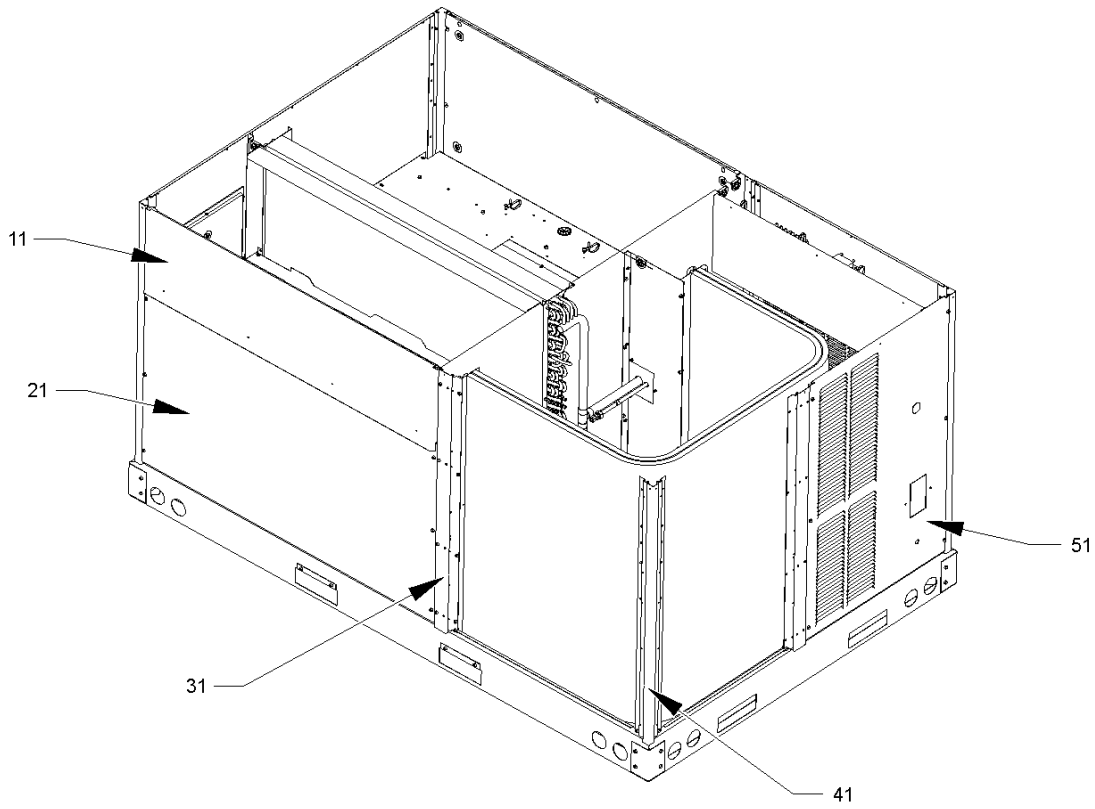
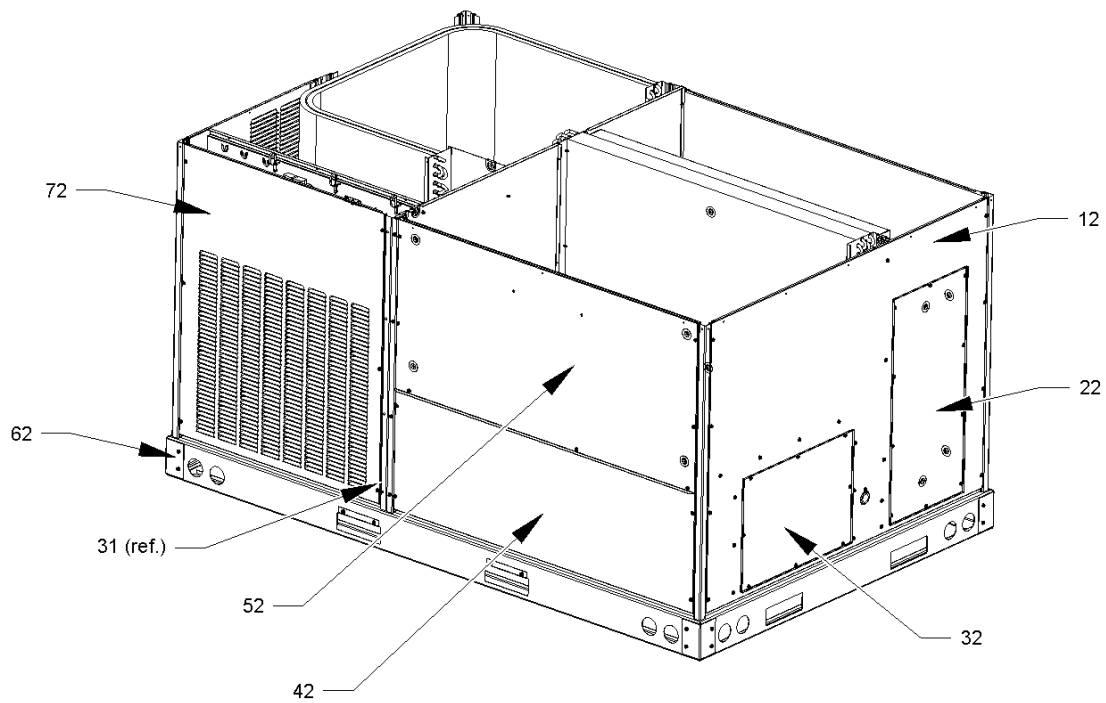


Image 2



Cabinet Assy

Ref. Part No: No:	Description:	Ref. Part No: No:	Description:
-------------------	--------------	-------------------	--------------

Image 1:

11	0270L00080	INSULATED ASSY, FILTER DOOR (M1, M2, M3, M4, M5)
11	0270L00139	INSULATED ASSY, FILTER DOOR (M6, M7)
21	0270L00081	INSULATED ASSY, ECONOMIZER DOOR
31	0121L00233RFDG	POST-SIDE SUPPORT (M1, M2, M3, M4, M5)
31	0121L00343RFDG	POST-SIDE SUPPORT (M6, M7)
41	0121L00237RFDG	CORNER POST (M1, M2, M3, M4, M5)
41	0121L00344RFDG	CORNER POST (M6, M7)
51	0121L00263DG	LOUVERED COMPRESSOR PANEL (M1, M2, M3, M4, M5)
51	0121L00354DG	LOUVERED COMPRESSOR PANEL (M6, M7)
NS	0121L00321	SMOKE DETECTOR COVER (M1, M2, M3, M4, M5)

Image 2:

12	0270L00079	INSULATED ASSY, DUCT PANEL (M1, M2, M3, M4, M5)
12	0270L00145	INSULATED ASSY, DUCT PANEL (M6, M7)
22	0270L00011	INSULATED ASSY, RETURN DUCT
32	0270L00012	INSULATED ASSY, SUPPLY DUCT
42	0121L00279DG	ELECTRIC HEAT DOOR
52	0270L00084	INSULATED ASSY, BLOWER DOOR (M1, M2, M3, M4, M5)
52	0270L00146	INSULATED ASSY, BLOWER DOOR (M6, M7)
62	0121G00301	RAIL CORNER BRACKET (QTY 4)
72	0121L00262DG	LOUVERED CONTROL PANEL (M1, M2, M3, M4, M5)
72	0121L00353DG	LOUVERED CONTROL PANEL (M6, M7)

Expanded Model Nomenclature

M1 - CPC0360103HXBCBA
M2 - CPC0480103HXBCBA
M3 - CPC060XXX3BXXABA
M4 - CPC0600103HXBCBA
M5 - CPC0600154HXAMBA
M6 - CPC072XXX4HXXXBA
M7 - CPC0720103HXBCBA

Partition Assy

Image 1

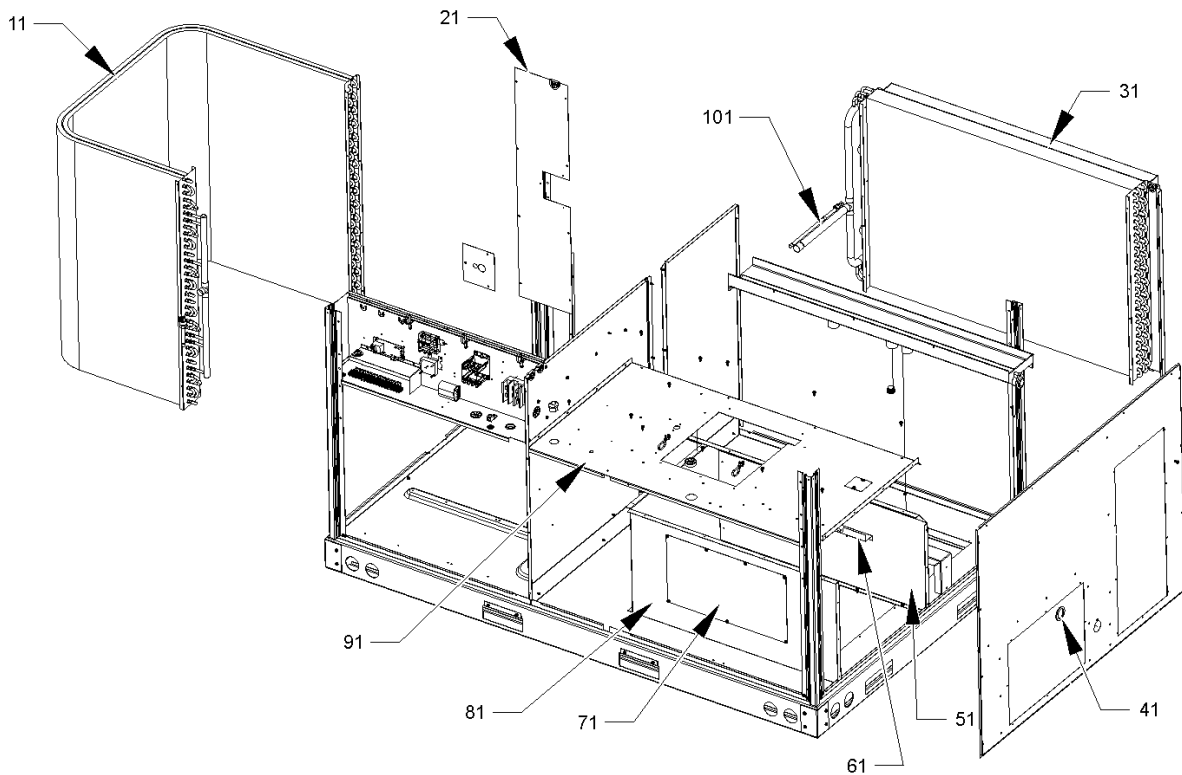
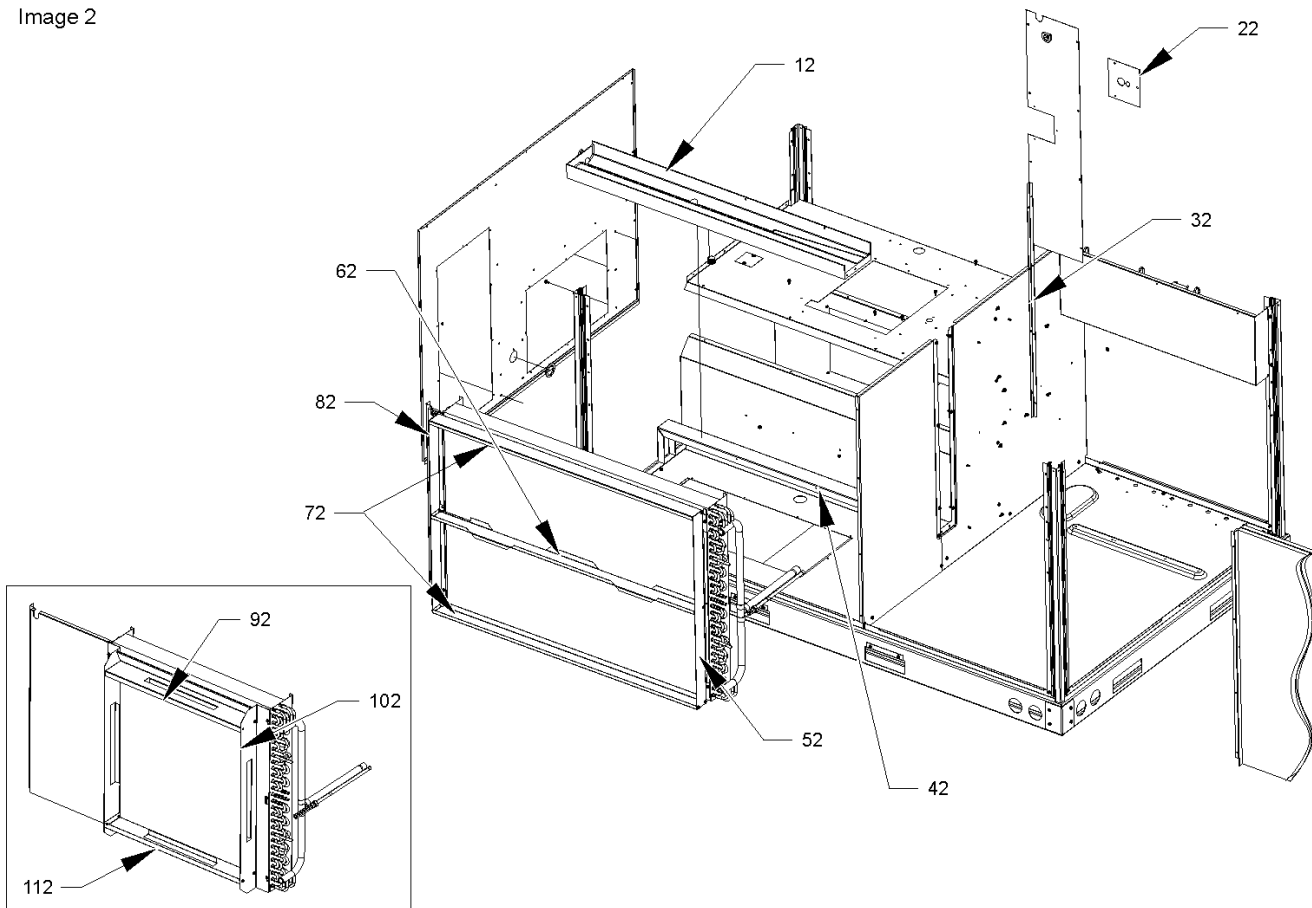


Image 2



Partition Assy

Ref. Part No: No:	Description:	Ref. Part No: No:	Description:
-------------------	--------------	-------------------	--------------

Image 1:

11	0201L00034	TUBING ASSY, COND COIL (M3, M5)
11	0201L00041	TUBING ASSY, COND COIL (M4)
11	0201L00045	TUBING ASSY, COND COIL (M1, M2)
11	0201L00053	TUBING ASSY, COND COIL (M6)
11	0201L00055	TUBING ASSY, COND COIL (M7)
21	0121L00311	COND BLOCK-OFF (M1, M2, M3, M4, M5)
21	0121L00348	COND BLOCK-OFF (M6, M7)
31	0202L00020	TUBING ASSY, EVAP COIL (M3, M4, M5)
31	0202L00024	TUBING ASSY, EVAP COIL (M1)
31	0202L00029	TUBING ASSY, EVAP COIL (M2)
31	0202L00032	TUBING ASSY, EVAP COIL (M6, M7)
41	0154L00009	DRAIN PAN GASKET
51	0121L00243	DECK SIDE CHANNEL
61	0121L00288	ELECTRIC HEAT RETAINER
71	0121L00144	ELECTRIC HEAT COVER
81	0121L00256	ELECTRIC HEAT PANEL
91	0121L00793	DECK-BLOWER
101	0162M00108	FLOWRATOR .076 (M2)
101	0162M00120	FLOWRATOR .080 [COND] (M6, M7)
101	0162L00012	FLOWRATOR [EVAP] (M3, M4, M5)
101	0162M00078	FLOWRATOR [EVAP] (M1)

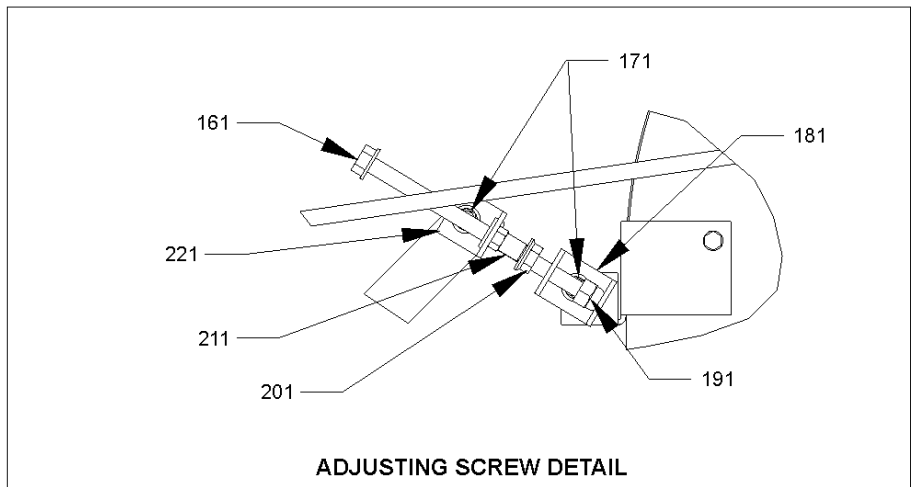
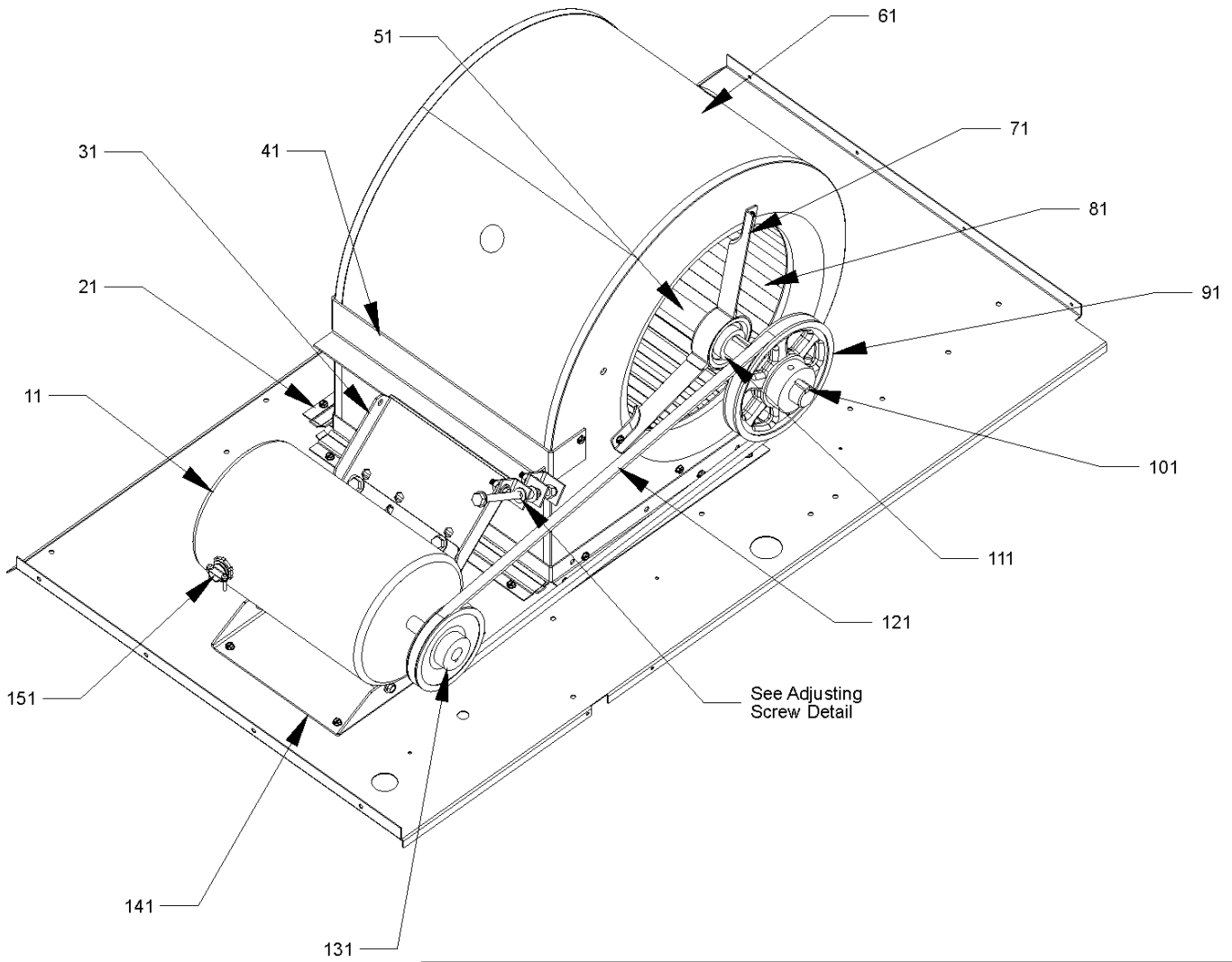
Image 2:

12	0161L00005	DRAIN PAN
22	0121L00324	COND BLOCK-OFF PLATE
32	0121L00254	COND MOUNTING ANGLE (M1, M2, M3, M4, M5)
32	0121L00349	COND MOUNTING ANGLE (M6, M7)
42	0121L00238	DRAIN PAN SUPPORT
52	0121L00287	FILTER ANGLE-VERTICAL (RETURN SIDE) (M2, M3, M4, M5)
52	0121L00357	FILTER ANGLE-VERTICAL (RETURN SIDE) (M6, M7)
62	0121L00298	FILTER ANGLE-HORIZONTAL (CENTER) (M2, M3, M4, M5, M6, M7)
72	0121L00932	FILTER ANGLE-HORIZONTAL (M2, M3, M4, M5, M6, M7)
82	0121L00303	FILTER ANGLE-VERTICAL (HAIRPIN SIDE) (M2, M3, M4, M5)
82	0121L00358	FILTER ANGLE-VERTICAL (HAIRPIN SIDE) (M6, M7)
92	0121L00290	FILTER ANGLE-TOP (M1)
102	0121L00292	FILTER ANGLE-VERTICAL (M1)
112	0121L00291	FILTER ANGLE-BOTTOM (M1)
NS	B1369608	AIR FILTER 20 X 16 X 2 (M6, M7)
NS	0160L00008	FILTER 14 X 20 X 2 (M2, M3, M4, M5)
NS	0160L00046	FILTER 24 X 24 (M1)

Expanded Model Nomenclature

M1 - CPC0360103HXBCBA
M2 - CPC0480103HXBCBA
M3 - CPC060XXX3BXXABA
M4 - CPC0600103HXBCBA
M5 - CPC0600154HXAMBBA
M6 - CPC072XXX4HXXXBA
M7 - CPC0720103HXBCBA

Belt Drive Assy



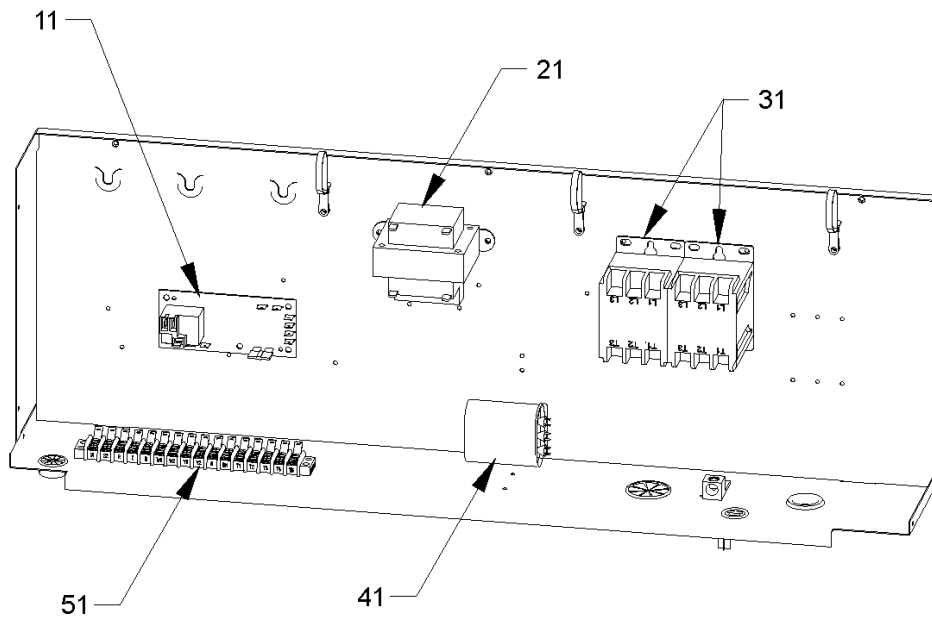
Belt Drive Assy

Ref. Part No:	Part No:	Description:	Ref. Part No:	Part No:	Description:
<i>Image 1:</i>					
11	0131L00003	BELT DRIVE MOTOR 1 HP (M1, M2, M3, M4, M5)			
11	B3240006	BELT DRIVE MOTOR 2 HP (M6, M7)			
21	0121L00297	BLOWER SIDE ANGLE (QTY 3)			
31	0121L00271	MOTOR MOUNT PLATE			
41	0121L00272	MOTOR MOUNT ANGLE			
51	0163L00005	BELT DRIVE BLOWER SHAFT			
61	2539302F	BLOWER HOUSING 11 X 10			
71	B3201300	MOUNTING BRACKET BEARING (QTY 2)			
81	B1368056	BELT DRIVE BLOWER WHEEL			
91	B2120011	FIXED SHEAVE (M1)			
91	0163L00031	FIXED SHEAVE AK59 (M6, M7)			
91	B3204303	FIXED SHEAVE AK61 (M3, M4, M5)			
91	B3204310	FIXED SHEAVE AK66 (M2)			
101	B1398604	STEEL KEY (000158812) 2.0"			
111	B1399500	BALL BEARING 1.00" (QTY 2)			
121	0164L00002	FAN BELT, NOTCHED (M3, M4, M5, M6, M7)			
121	0164L00003	FAN BELT, NOTCHED (M1, M2)			
131	0163L00024	VARIABLE PITCH SHEAVE 1VL40 X 5/8" (M1)			
131	B2120001	VARIABLE PITCH SHEAVE 1VL44 X 3/8" (M3)			
131	B2120014	VARIABLE PITCH SHEAVE 1VL44 X 7/8" (M6, M7)			
131	B2120013	VARIABLE PITCH SHEAVE 1VP50 (M2, M4, M5)			
141	0121L00792	ANGLE-MOTOR PIVOT			
151	B1393726	ELECT. CONNECTING BUSHING			
161	0163M00054	BOLT			
171	B1393738	BOLT 1/4-20 X 3/4" (QTY 8)			
181	0121L00274	MOTOR ADJUST BRACKET			
191	0163M00055	ACORN NUT 5/16 X 18			
201	B1393020	FLANGED LOCKNUT 5/16-18TPI			
211	B1393027	HEX NUT INSERT 5/16-18 (QTY 5)			
221	0121L00275	MOUNTING BRACKET INSERT			
NS	1864703F	BLOWER CUT-OFF			
NS	B1398603	STEEL KEY (000158812) 4.5"			

Expanded Model Nomenclature

M1 - CPC0360103HXBCBA
M2 - CPC0480103HXBCBA
M3 - CPC060XXX3BXXABA
M4 - CPC0600103HXBCBA
M5 - CPC0600154HXAMBA
M6 - CPC072XXX4HXXXBA
M7 - CPC0720103HXBCBA

Control Box Assy



Control Box Assy

Ref. Part No: No:	Description:	Ref. Part No: No:	Description:
-------------------	--------------	-------------------	--------------

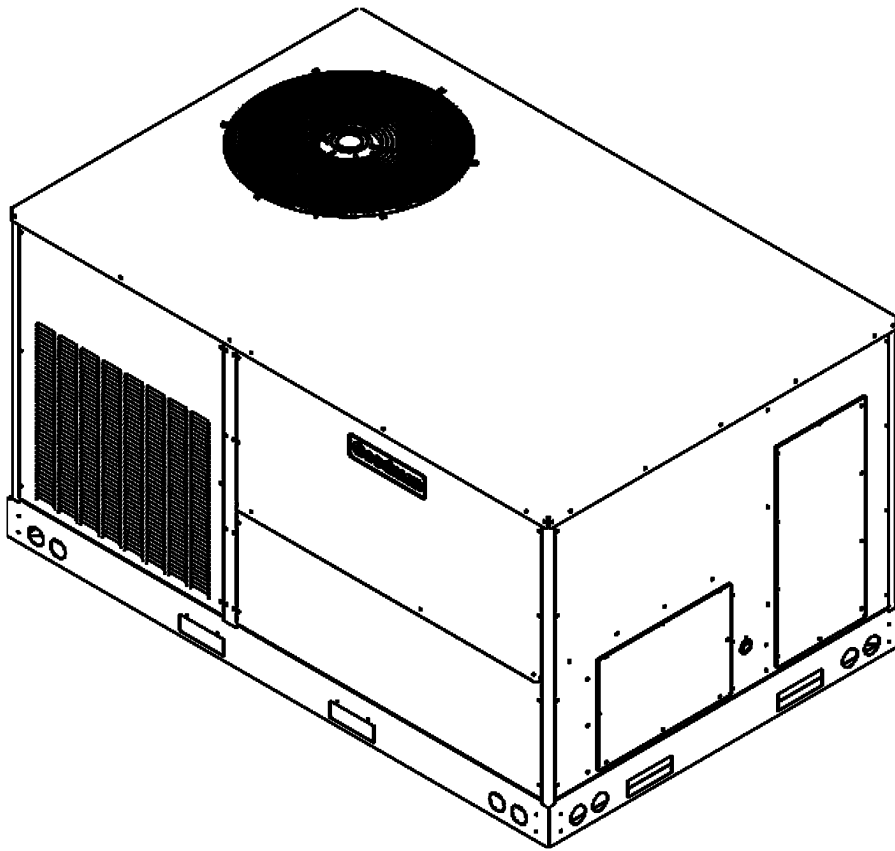
Image 1:

11	PCBFM131	ELECTRONIC BLOWER TIME DELAY
21	CONT3P025024V	CONTACTOR 25 AMP, 3P, 24V (M5, M6)
21	CONT3P030024V	CONTACTOR 30 AMP, 3P, 24V (M1, M2, M3, M4, M7)
31	B1141643	TRANSFORMER 208/230, 24V (M1, M2, M3, M4, M7)
31	B1141653	TRANSFORMER 480V, 75VA, RESETTABLE (M5, M6)
41	CAP050000370VA	CAPACITOR 5/370V
51	0130M00038	TERMINAL BOARD
NS	20520901	CAPACITOR STRAP
NS	0259L00054	WIRING HARNESS (M1, M2, M3, M4, M7)
NS	0259L00057	WIRING HARNESS
NS	0259L00060	WIRING HARNESS (M5, M6)
NS	0259L00061	WIRING HARNESS
NS	0259L00064	WIRING HARNESS
NS	0259L00065	WIRING HARNESS (M1, M2, M3, M4, M5)
NS	0259L00094	WIRING HARNESS (M6, M7)

Expanded Model Nomenclature

M1 - CPC0360103HXBCBA
M2 - CPC0480103HXBCBA
M3 - CPC060XXX3BXXABA
M4 - CPC0600103HXBCBA
M5 - CPC0600154HXAMBA
M6 - CPC072XXX4HXXXBA
M7 - CPC0720103HXBCBA

Accessory Parts



Accessory Parts

Ref. Part No:	No:	Description:	Ref. Part No:	No:	Description:
<i>Image 1:</i>					
NS	0130M00065	CIRCUIT BREAKER, CONVENIENCE OUTLET (M5)			
NS	0270L00107	CONVENIENCE OUTLET ASSEMBLY (M3, M5)			
NS	HAILGD03FI	HAIL GUARD ASSEMBLY (M1, M2, M4, M5)			
NS	HAILGD04FI	HAIL GUARD ASSEMBLY (M7)			
NS	LAKT01	LOW AMBIENT KIT (M1, M2, M4, M5, M7)			
NS	0130M00061	TRANSFORMER, CONVENIENCE OUTLET (M5)			

Expanded Model Nomenclature

M1 - CPC0360103HXBCBA
M2 - CPC0480103HXBCBA
M3 - CPC060XXX3BXXABA
M4 - CPC0600103HXBCBA
M5 - CPC0600154HXAMBA
M6 - CPC072XXX4HXXXBA
M7 - CPC0720103HXBCBA