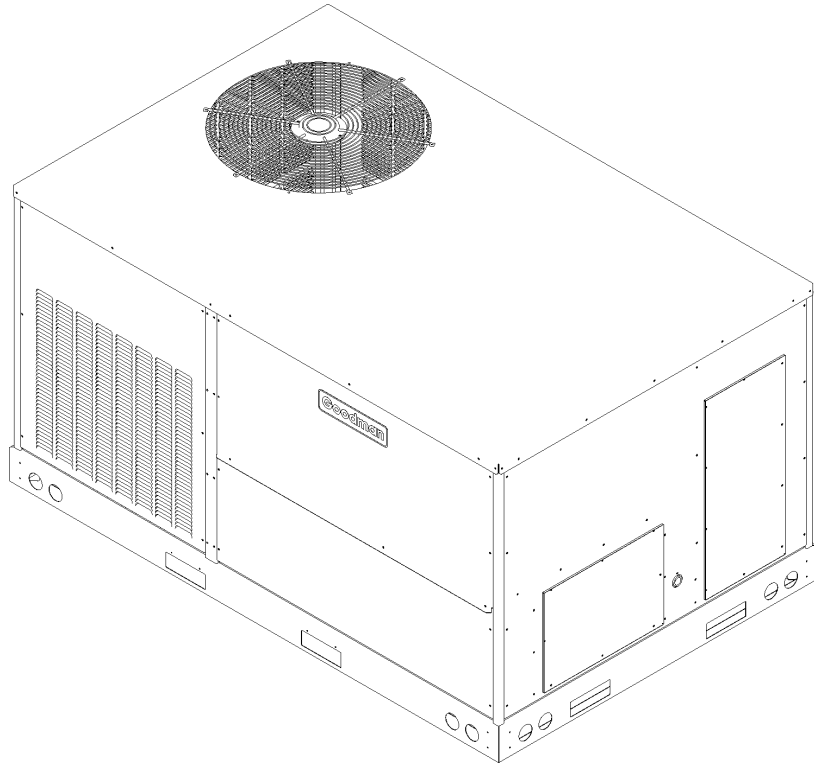


REPAIR PARTS

Commercial 5 & 6 Ton Package Cooling Units

CPC0600103BHXBCA
CPC0600103BHXCCA
CPC060XXX3BXJXCA
CPC060XXX3BXXCA
CPC060XXX3BXXZCA
CPC060XXX4BXJXCA
CPC060XXX4BXXBCA
CPC060XXX4BXXCA
CPC060XXX4BXXZCA
CPC060XXX7BXJXCA
CPC060XXX7BXXCA
CPC0720103BHXCCA
CPC0720104BAXCCA
CPC0720253BHXCA
CPC072XXX3BXJXCA
CPC072XXX3BXXCA
CPC072XXX3BXXZCA
CPC072XXX4BXJXCA
CPC072XXX4BXXCA
CPC072XXX7BXJXCA
CPC072XXX7BXXCA



This manual is to be used by qualified technicians only.

This manual replaces RP-708B.

© 2012-2013 Goodman Manufacturing Company, L.P. ♦ 5151 San Felipe, Suite 500 ♦ Houston, TX 77056

Important Information

Index

Functional Parts List	3
Illustration and Parts	4 - 15

Views shown are for parts illustrations only, not servicing procedures.

Text Codes:

AR - As Required

NA - Not Available

NS - Not Shown

00000000 - See Note

QTY - Quantity Example (QTY 3) (If Quantity not shown, Quantity = 1)

M - Model Example (M1) (If M Code not shown, then part is used on all Models)

Expanded Model Nomenclature:

Example M1 - Model#1 M2 - Model#2 M3 - Model#3

Goodman Manufacturing Company, L.P. is not responsible for personal injury or property damage resulting from improper service. Review all service information before beginning repairs.

Warranty service must be performed by an authorized technician, using authorized factory parts. If service is required after the warranty expires, Goodman Manufacturing Company, L.P. also recommends contacting an authorized technician and using authorized factory parts.

Goodman Manufacturing Company, L.P. reserves the right to discontinue, or change at any time, specifications or designs without notice or without incurring obligations.

For assistance within the U.S.A. contact:
Consumer Affairs Department
Goodman Manufacturing Company, L.P.
7401 Security Way
Houston, Texas 77040
877-254-4729-Telephone
713-863-2382-Facsimile

For assistance outside the U.S.A. contact:
International Division
Goodman Manufacturing Company, L.P.
7401 Security Way
Houston, Texas 77040
713-861-2500-Telephone
713-863-2382-Facsimile

Functional Parts

Part No: **Description:**

B1368056	BELT DRIVE BLOWER WHEEL
0131L00003	BELT DRIVE MOTOR 1 HP (M1, M2, M3, M4, M5, M6, M7, M10, M11)
B3240007	BELT DRIVE MOTOR 1.5 HP (M12, M13, M14, M15, M16, M19, M20, M21)
0131L00004	BELT DRIVE MOTOR-1.5 HP 575 (M8, M9, M17, M18)
CAP050000370VA	CAPACITOR 5/370V
ZP51K5ETF5130	COMPRESSOR 51000, 208/230/60/3 (M1, M2, M3, M10, M11)
ZP51K5ETFD130	COMPRESSOR 51000, 460/60/3 (M4, M5, M6, M7)
ZP51K5ETFE130	COMPRESSOR 51000, 575/60/3 (M8, M9)
ZP61KCETF5130	COMPRESSOR 61500, 200/230/60/3 (M12, M13, M14, M19, M21)
ZP61KCETFD130	COMPRESSOR 61500, 460/60/3 (M15, M16, M20)
ZP61KCETFE130	COMPRESSOR 61500, 575/60/3 (M17, M18)
0131M00008P	COND MOTOR 1/3 HP, 1 SP, 6 PL (M12, M13, M14, M19, M21)
B13400249	COND MOTOR 1/3 HP, 460V (M15, M16, M20)
0131M00179	COND MOTOR 1/3 HP, 6 PL, 575V (M17, M18)
0131M00007P	COND MOTOR 1/4 HP, 1 SP, 6 PL (M1, M2, M3, M10, M11)
B13400269	COND MOTOR 380/460 50/60 CYCLE (M4, M5, M6, M7)
0131M00098	COND MOTOR 575V (M8, M9)
CONT3P025024V	CONTACTOR 25 AMP, 3P, 24V (M4, M5, M6, M7, M8, M9, M15, M16, M17, M18, M20)
CONT3P030024V	CONTACTOR 30 AMP, 3P, 24V (M1, M2, M3, M10, M11, M12, M13, M14, M19, M21)
PCBFM131	ELECTRONIC BLOWER TIME DELAY RELAY
0164L00002	FAN BELT, NOTCHED
0164L00010	FAN BELT, NOTCHED
0150G00001	FAN BLADE (M1, M2, M3, M4, M5, M6, M7, M8, M9, M10, M11, M17, M18)
B1086765	FAN BLADE TYPE 3 (M12, M13, M14, M15, M16, M19, M20, M21)
0130M00074	HIGH PRESSURE SWITCH
0130M00087	LOW PRESSURE SWITCH
B1141643	TRANSFORMER 208/230, 24V (M1, M2, M3, M10, M11, M12, M13, M14, M19, M21)
B1141653	TRANSFORMER 480V, 75VA, RESETTABLE (M4, M5, M6, M7, M15, M16, M20)
0130M00045	TRANSFORMER 575/24V (M8, M9, M17, M18)

Expanded Model Nomenclature

M1 - CPC060XXX3BXJXCA
M2 - CPC060XXX3BXXXCA
M3 - CPC060XXX3BXXZCA
M4 - CPC060XXX4BXJXCA
M5 - CPC060XXX4BXXBCA
M6 - CPC060XXX4BXXXCA
M7 - CPC060XXX4BXXZCA
M8 - CPC060XXX7BXJXCA
M9 - CPC060XXX7BXXCA
M10 - CPC0600103BHXBCA
M11 - CPC0600103BHXCCA
M12 - CPC072XXX3BXJXCA
M13 - CPC072XXX3BXXXCA
M14 - CPC072XXX3BXXZCA
M15 - CPC072XXX4BXJXCA
M16 - CPC072XXX4BXXXCA
M17 - CPC072XXX7BXJXCA
M18 - CPC072XXX7BXXXCA
M19 - CPC0720103BHXCCA
M20 - CPC0720104BAXCCA
M21 - CPC0720253BHXXCA

Top Panel/Tubing Assy

Image 1

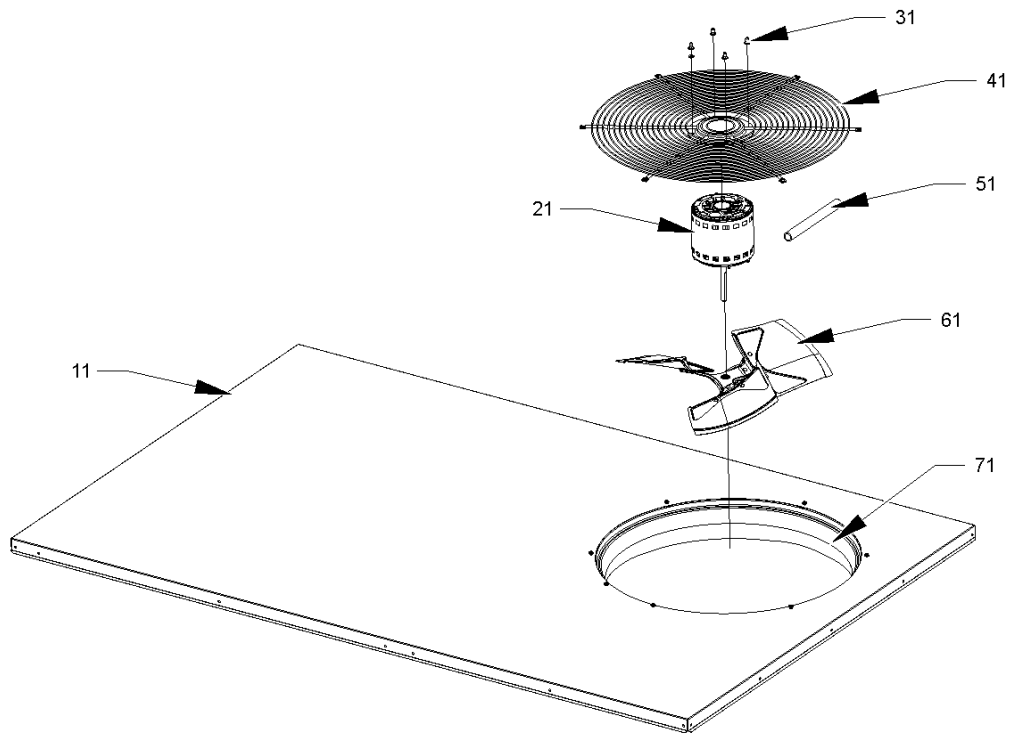
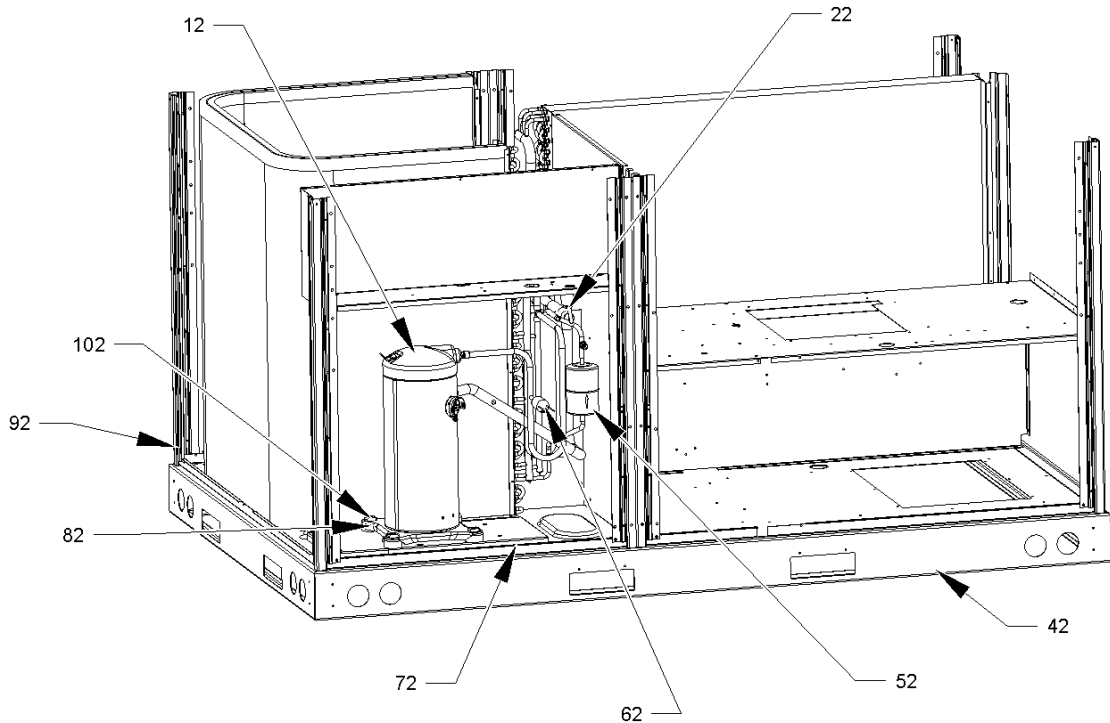


Image 2



Top Panel/Tubing Assy

Ref. Part No: No:	Description:	Ref. Part No: No:	Description:
<i>Image 1:</i>		Expanded Model Nomenclature	
11	0270L00086	INSULATION-TOP ASSY.	M1 - CPC060XXX3BXJXCA
21	0131M00008P	COND MOTOR 1/3 HP, 1 SP, 6 PL (M12, M13, M14, M19, M21)	M2 - CPC060XXX3BXXXCA
21	B13400249	COND MOTOR 1/3 HP, 460V (M15, M16, M20)	M3 - CPC060XXX3BXXZCA
21	0131M00179	COND MOTOR 1/3 HP, 6 PL, 575V (M17, M18)	M4 - CPC060XXX4BXJXCA
21	0131M00007P	COND MOTOR 1/4 HP, 1 SP, 6 PL (M1, M2, M3, M10, M11)	M5 - CPC060XXX4BXXBCA
21	B13400269	COND MOTOR 380/460 50/60 CYCLE (M4, M5, M6, M7)	M6 - CPC060XXX4BXXXCA
21	0131M00098	COND MOTOR 575V (M8, M9)	M7 - CPC060XXX4BXXZCA
31	0163M00006P	ACORN NUT 5/16 HEX BLACK (QTY 4)	M8 - CPC060XXX7BXJXCA
41	0152G00002	GRILLE-FAN	M9 - CPC060XXX7BXXXCA
51	17788000083F	PVC CONDUIT 8.25"	M10 - CPC0600103BHXBCA
61	0150G00001	FAN BLADE (M1, M2, M3, M4, M5, M6, M7, M8, M9, M10, M11, M17, M18)	M11 - CPC0600103BHXCCA
61	B1086765	FAN BLADE TYPE 3 (M12, M13, M14, M15, M16, M19, M20, M21)	M12 - CPC072XXX3BXJXCA
71	0161L00000	VENTURI RING 22"	M13 - CPC072XXX3BXXXCA
<i>Image 2:</i>			M14 - CPC072XXX3BXXZCA
12	ZP51K5ETF5130	COMPRESSOR 51000, 208/230/60/3 (M1, M2, M3, M10, M11)	M15 - CPC072XXX4BXJXCA
12	ZP51K5ETFD130	COMPRESSOR 51000, 460/60/3 (M4, M5, M6, M7)	M16 - CPC072XXX4BXXXCA
12	ZP51K5ETFE130	COMPRESSOR 51000, 575/60/3 (M8, M9)	M17 - CPC072XXX7BXJXCA
12	ZP61KCETF5130	COMPRESSOR 61500, 200/230/60/3 (M12, M13, M14, M19, M21)	M18 - CPC072XXX7BXXXCA
12	ZP61KCETFD130	COMPRESSOR 61500, 460/60/3 (M15, M16, M20)	M19 - CPC0720103BHXCCA
12	ZP61KCETFE130	COMPRESSOR 61500, 575/60/3 (M17, M18)	M20 - CPC0720104BAXCCA
22	0130M00087	LOW PRESSURE SWITCH	M21 - CPC0720253BHXCA
42	0121L00244RF	SIDE RAIL (QTY 2)	
52	20485201	BI-FLOW FILTER DRIER (M12, M13, M14, M15, M16, M17, M18, M19, M20, M21)	
52	0162R00009	FILTER DRIER (M1, M2, M3, M4, M5, M6, M7, M8, M9, M10, M11)	
62	0130M00074	HIGH PRESSURE SWITCH	
72	0121L00310	COMPRESSOR MOUNTING PLATE	
82	B1339533	COMPRESSOR GROMMET (QTY 4)	
92	0121L00245	END RAIL (QTY 2)	
102	M0221641	TF SHOULDER SCREW (QTY 4)	
NS	0159L00028	COMPRESSOR SCROLL HARNESS	

Cabinet Assy

Image 1

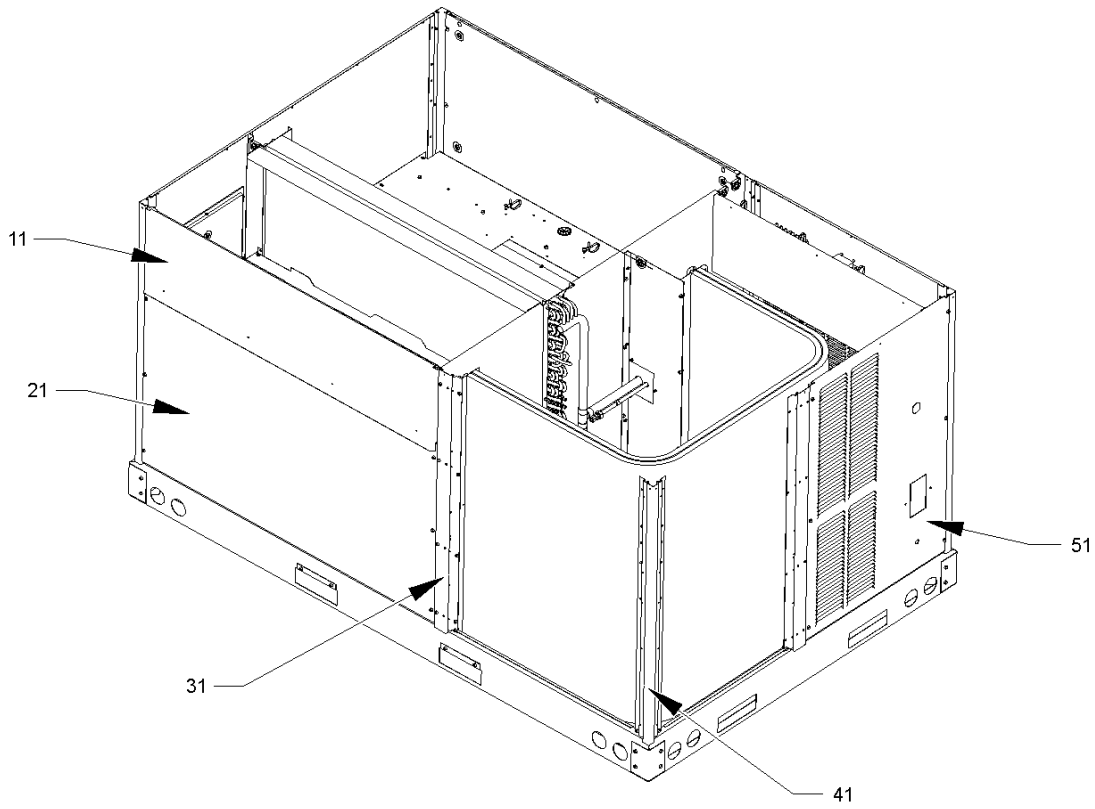
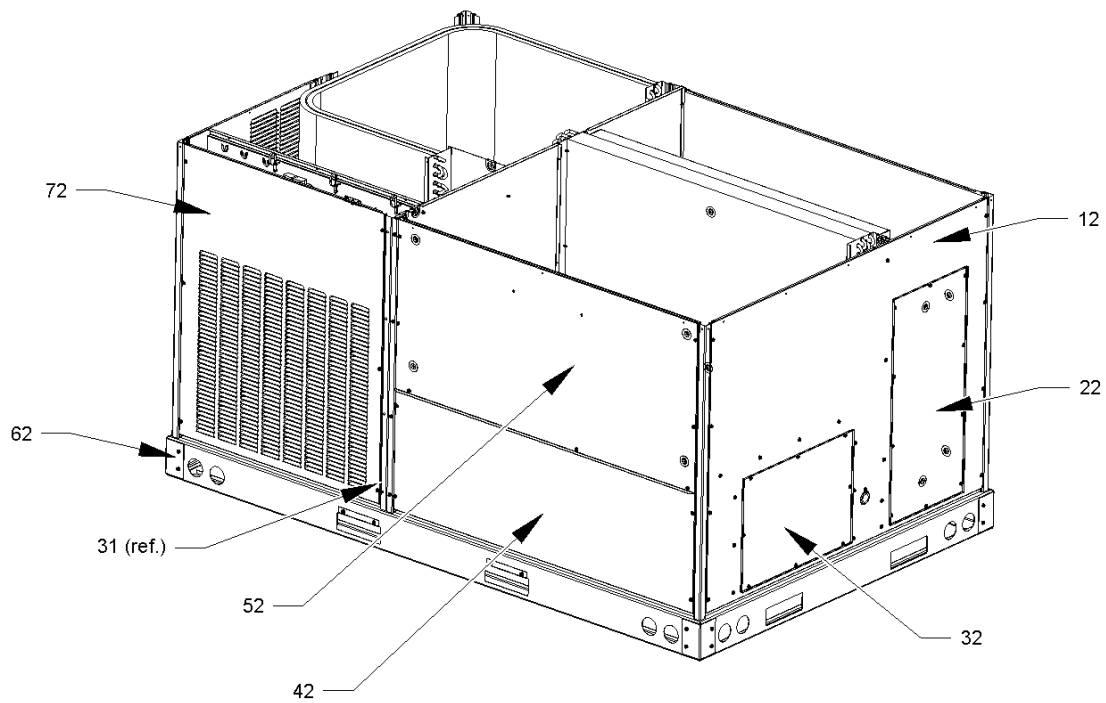


Image 2



Cabinet Assy

**Ref. Part
No: No:**

Description:

**Ref. Part
No: No:**

Description:

Image 1:

11	0270L00080	INSULATED ASSY, FILTER DOOR (M1, M2, M3, M4, M5, M6, M7, M8, M9, M10, M11)
11	0270L00139	INSULATED ASSY, FILTER DOOR (M12, M13, M14, M15, M16, M17, M18, M19, M20, M21)
21	0270L00081	INSULATED ASSY, ECONOMIZER DOOR
31	0121L00233RFDG	POST-SIDE SUPPORT (M1, M2, M3, M4, M5, M6, M7, M8, M9, M10, M11)
31	0121L00343RFDG	POST-SIDE SUPPORT (M12, M13, M14, M15, M16, M17, M18, M19, M20, M21)
41	0121L00237RFDG	CORNER POST (M1, M2, M3, M4, M5, M6, M7, M8, M9, M10, M11)
41	0121L00344RFDG	CORNER POST (M12, M13, M14, M15, M16, M17, M18, M19, M20, M21)
51	0121L00263DG	LOUVERED COMPRESSOR PANEL (M1, M2, M3, M4, M5, M6, M7, M8, M9, M10, M11)
51	0121L00354DG	LOUVERED COMPRESSOR PANEL (M12, M13, M14, M15, M16, M17, M18, M19, M20, M21)
NS	0121L00321	SMOKE DETECTOR COVER

Image 2:

12	0270L00079	INSULATED ASSY, DUCT PANEL (M1, M2, M3, M4, M5, M6, M7, M8, M9, M10, M11)
12	0270L00145	INSULATED ASSY, DUCT PANEL (M12, M13, M14, M15, M16, M17, M18, M19, M20, M21)
22	0270L00011	INSULATED ASSY, RETURN DUCT
32	0270L00012	INSULATED ASSY, SUPPLY DUCT
42	0121L00279DG	ELECTRIC HEAT DOOR
52	0270L00084	INSULATED ASSY, BLOWER DOOR (M1, M2, M3, M4, M5, M6, M7, M8, M9, M10, M11)
52	0270L00146	INSULATED ASSY, BLOWER DOOR (M12, M13, M14, M15, M16, M17, M18, M19, M20, M21)
62	0121G00301	RAIL CORNER BRACKET (QTY 4)
72	0121L00262DG	LOUVERED CONTROL PANEL (M1, M2, M3, M4, M5, M6, M7, M8, M9, M10, M11)
72	0121L00353DG	LOUVERED CONTROL PANEL (M12, M13, M14, M15, M16, M17, M18, M19, M20, M21)

Expanded Model Nomenclature

M1 - CPC060XXX3BXJXCA
M2 - CPC060XXX3BXXXCA
M3 - CPC060XXX3BXXZCA
M4 - CPC060XXX4BXJXCA
M5 - CPC060XXX4BXXBCA
M6 - CPC060XXX4BXXXCA
M7 - CPC060XXX4BXXZCA
M8 - CPC060XXX7BXJXCA
M9 - CPC060XXX7BXXXCA
M10 - CPC0600103BHXBCA
M11 - CPC0600103BHXCCA
M12 - CPC072XXX3BXJXCA
M13 - CPC072XXX3BXXXCA
M14 - CPC072XXX3BXXZCA
M15 - CPC072XXX4BXJXCA
M16 - CPC072XXX4BXXXCA
M17 - CPC072XXX7BXJXCA
M18 - CPC072XXX7BXXXCA
M19 - CPC0720103BHXCCA
M20 - CPC0720104BAXCCA
M21 - CPC0720253BHXCA

Partition Assy

Image 1

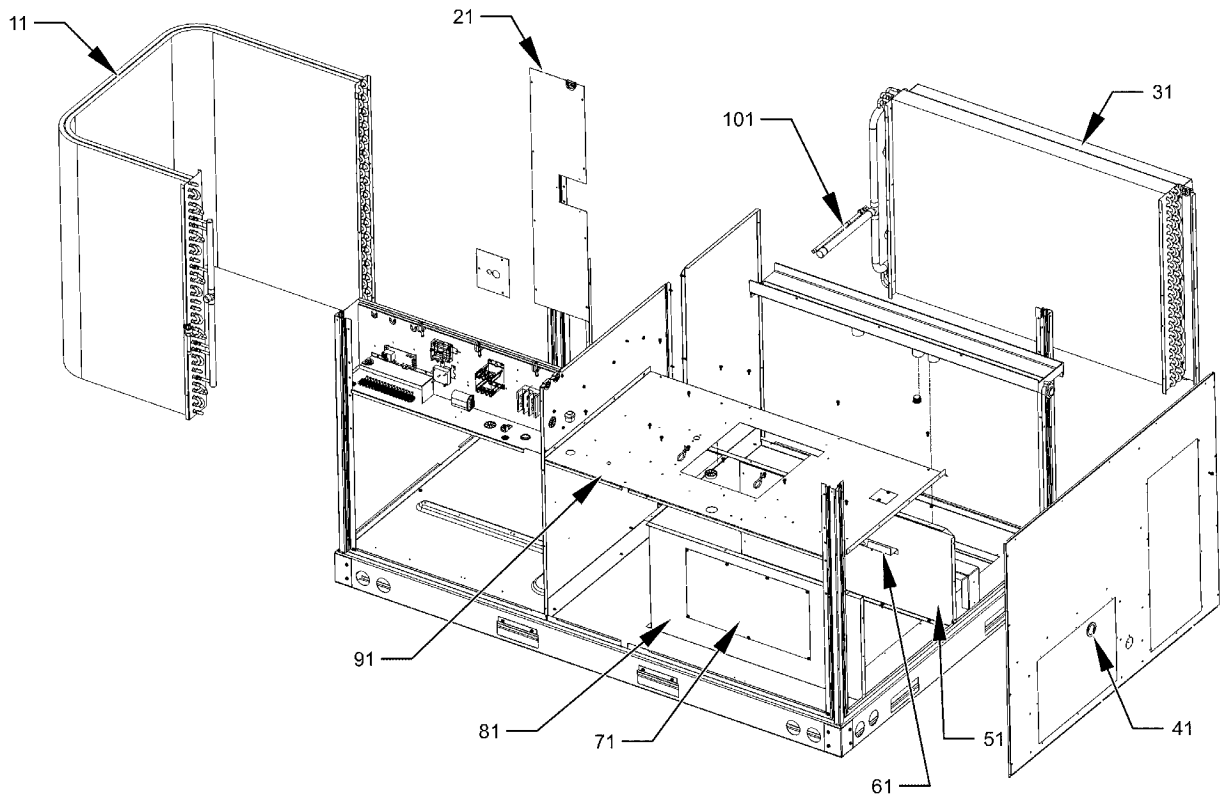
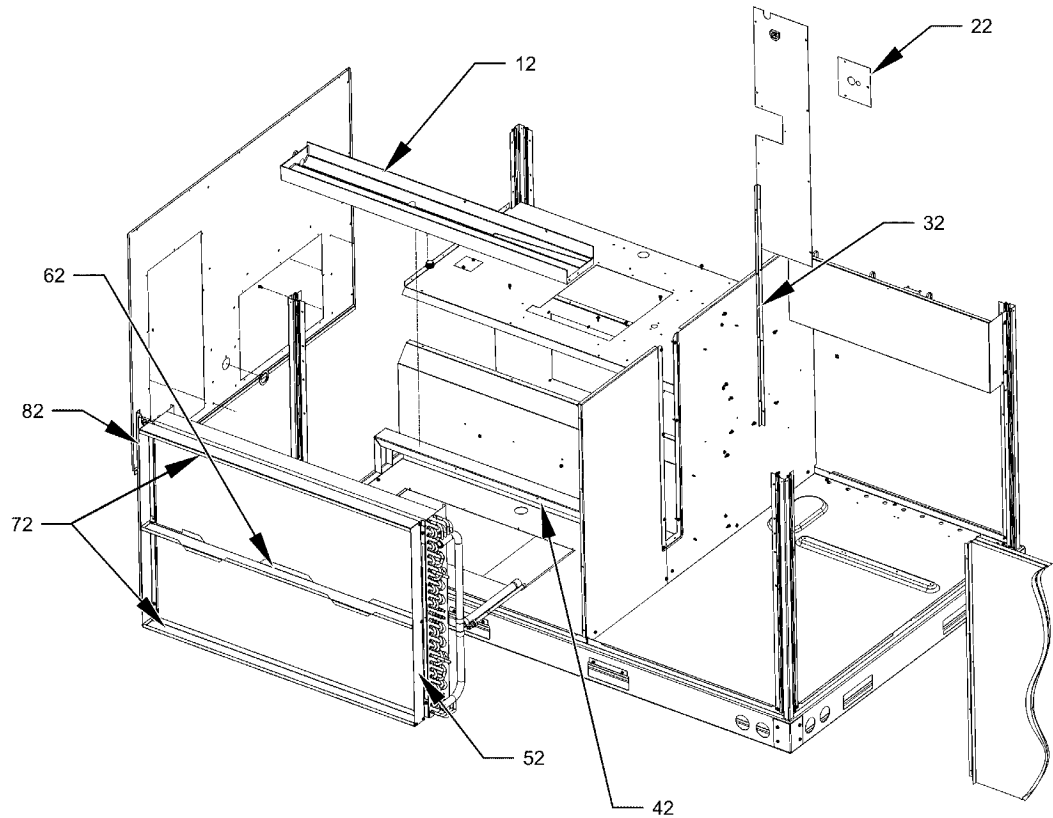


Image 2



Partition Assy

**Ref. Part
No: No:**

Description:

**Ref. Part
No: No:**

Description:

Image 1:

11	0201L00141	CONDENSER COIL ASSY (M2, M3, M5, M6, M7, M9, M10, M11)
11	0201L00145	CONDENSER COIL ASSY (M13, M14, M16, M18, M19, M20, M21)
11	0201L00160	CONDENSER COIL ASSY (M1, M4, M8)
11	0201L00161	CONDENSER COIL ASSY (M12, M15, M17)
21	0121L00882	BLOCKOFF-CONDENSER (M1, M2, M3, M4, M5, M6, M7, M8, M9, M10, M11)
21	0121L00889	BLOCKOFF-CONDENSER (M12, M13, M14, M15, M16, M17, M18, M19, M20, M21)
31	0202L00020	TUBING ASSY, EVAP COIL (M1, M2, M3, M4, M5, M6, M7, M8, M9, M10, M11)
31	0202L00032	TUBING ASSY, EVAP COIL (M12, M13, M14, M15, M16, M17, M18, M19, M20, M21)
41	0154L00009	DRAIN PAN GASKET
51	0121L00243	DECK SIDE CHANNEL
61	0121L00288	ELECTRIC HEAT RETAINER
71	0121L00144	ELECTRIC HEAT COVER
81	0121L00256	ELECTRIC HEAT PANEL
91	0121L00981	DECK BLOWER
101	0162L00012	FLOWRATOR [EVAP] (M1, M2, M3, M4, M5, M6, M7, M8, M9, M10, M11)
101	0162M00121	FLOWRATOR [EVAP] (M12, M13, M14, M15, M16, M17, M18, M19, M20, M21)

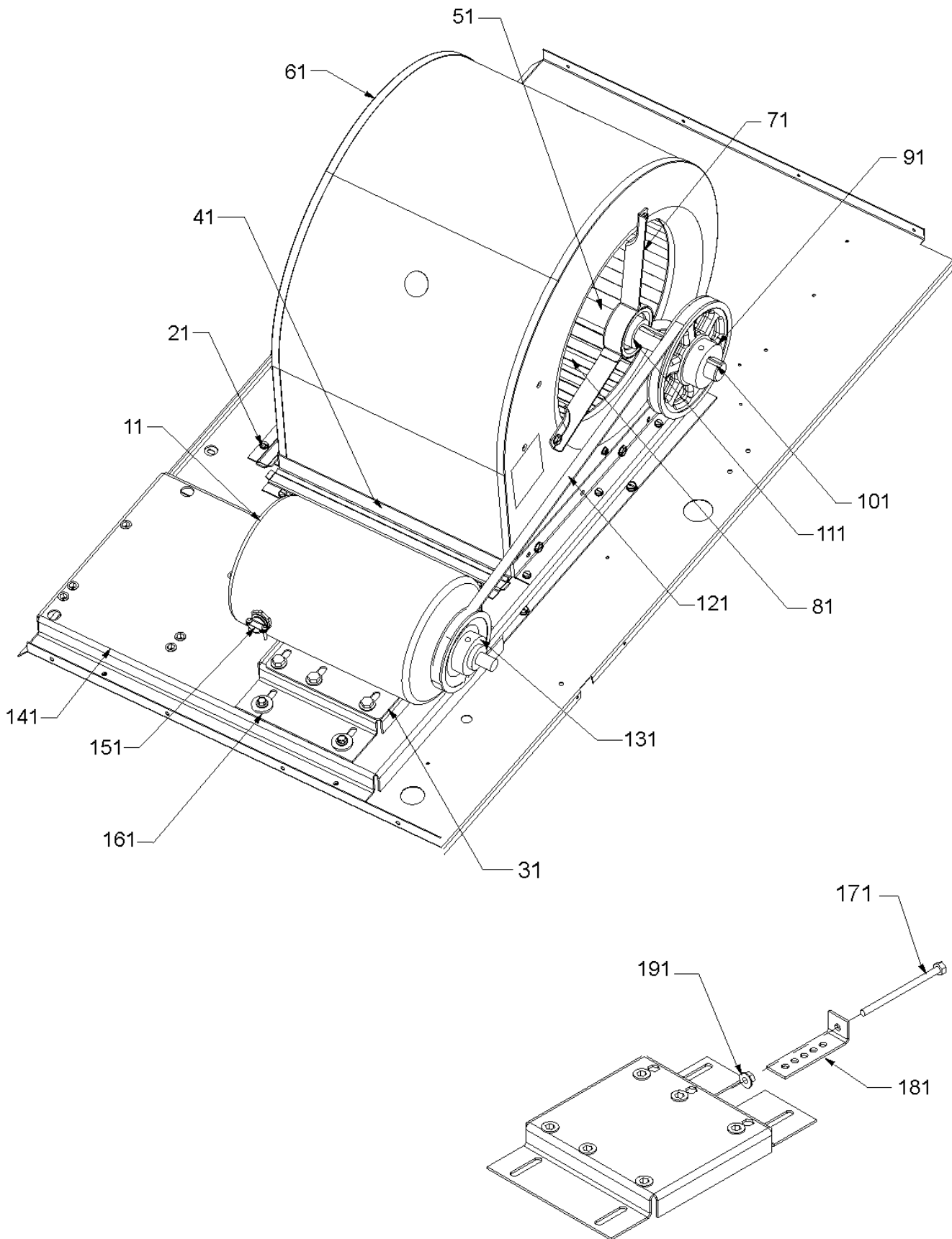
Image 2:

12	0161L00005	DRAIN PAN
22	0121L00939	PLATE-CONDENSER BLOCKOFF
32	0121L00254	COND MOUNTING ANGLE (M1, M2, M3, M4, M5, M6, M7, M8, M9, M10, M11)
32	0121L00349	COND MOUNTING ANGLE (M12, M13, M14, M15, M16, M17, M18, M19, M20, M21)
42	0121L00238	DRAIN PAN SUPPORT
52	0121L00287	FILTER ANGLE-VERTICAL (RETURN SIDE) (M1, M2, M3, M4, M5, M6, M7, M8, M9, M10, M11)
52	0121L00357	FILTER ANGLE-VERTICAL (RETURN SIDE) (M12, M13, M14, M15, M16, M17, M18, M19, M20, M21)
62	0121L00298	FILTER ANGLE-HORIZONTAL (CENTER)
72	0121L00932	ANGLE-FILTER HORIZONTAL (QTY 2)
82	0121L00303	FILTER ANGLE-VERTICAL (HAIRPIN SIDE) (M1, M2, M3, M4, M5, M6, M7, M8, M9, M10, M11)
82	0121L00358	FILTER ANGLE-VERTICAL (HAIRPIN SIDE) (M12, M13, M14, M15, M16, M17, M18, M19, M20, M21)
NS	B1369608	AIR FILTER 20 X 16 X 2 (M12, M13, M14, M15, M16, M17, M18, M19, M20, M21)
NS	0160L00008	FILTER 14 X 20 X 2 (M1, M2, M3, M4, M5, M6, M7, M8, M9, M10, M11)

Expanded Model Nomenclature

M1 - CPC060XXX3BXJXCA
M2 - CPC060XXX3BXXXCA
M3 - CPC060XXX3BXXZCA
M4 - CPC060XXX4BXJXCA
M5 - CPC060XXX4BXXBCA
M6 - CPC060XXX4BXXXCA
M7 - CPC060XXX4BXXZCA
M8 - CPC060XXX7BXJXCA
M9 - CPC060XXX7BXXXCA
M10 - CPC0600103BHXBCA
M11 - CPC0600103BHXCCA
M12 - CPC072XXX3BXJXCA
M13 - CPC072XXX3BXXXCA
M14 - CPC072XXX3BXXZCA
M15 - CPC072XXX4BXJXCA
M16 - CPC072XXX4BXXXCA
M17 - CPC072XXX7BXJXCA
M18 - CPC072XXX7BXXXCA
M19 - CPC0720103BHXCCA
M20 - CPC0720104BAXCCA
M21 - CPC0720253BHXCA

Belt Drive Assy



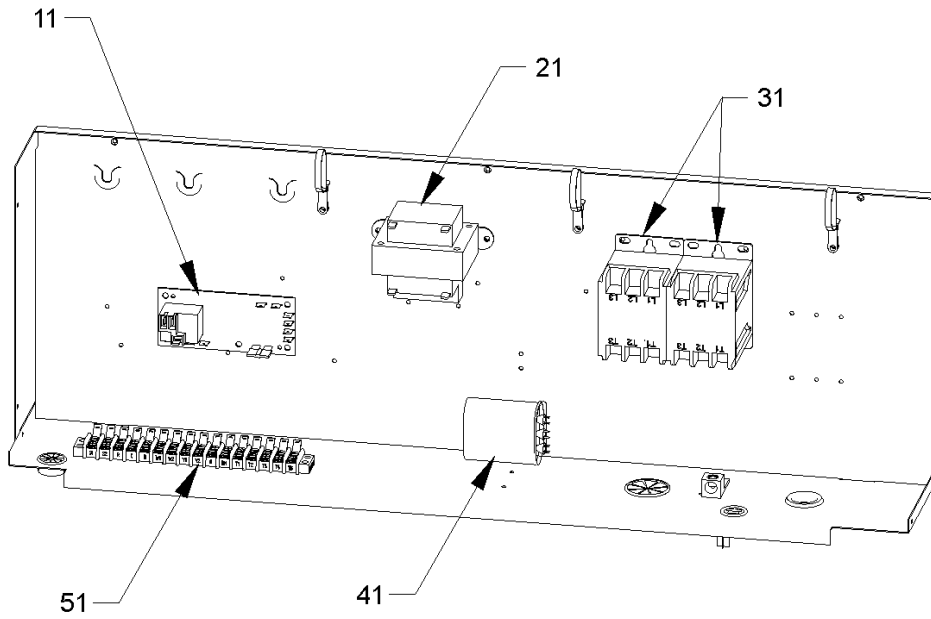
Belt Drive Assy

Ref. Part No:	No:	Description:	Ref. Part No:	No:	Description:
<i>Image 1:</i>					
11	0131L00003	BELT DRIVE MOTOR 1 HP (M1, M2, M3, M4, M5, M6, M7, M10, M11)			
11	B3240007	BELT DRIVE MOTOR 1.5 HP (M12, M13, M14, M15, M16, M19, M20, M21)			
11	0131L00004	BELT DRIVE MOTOR-1.5 HP 575 (M8, M9, M17, M18)			
21	0121L00297	BLOWER SIDE ANGLE (QTY 3)			
31	0121L00899	MOTOR BASE			
41	0121L00281	BLOWER MOUNTING ANGLE			
51	0163L00005	BELT DRIVE BLOWER SHAFT			
61	2539302F	BLOWER HOUSING 11 X 10			
71	B3201300	MOUNTING BRACKET BEARING (QTY 2)			
81	B1368056	BELT DRIVE BLOWER WHEEL			
91	0163L00031	FIXED SHEAVE AK59 (M12, M13, M14, M15, M16, M17, M18, M19, M20, M21)			
91	B3204303	FIXED SHEAVE AK61 (M1, M2, M3, M4, M5, M6, M7, M8, M9, M10, M11)			
101	B1398604	STEEL KEY (000158812) 2.0"			
111	B1399500	BALL BEARING 1.00" (QTY 2)			
121	0164L00010	FAN BELT, NOTCHED			
131	B2120001	VARIABLE PITCH SHEAVE 1VL44 X 3/8" (M1, M2, M3, M4, M5, M6, M7, M8, M9, M10, M11)			
131	B2120014	VARIABLE PITCH SHEAVE 1VL44 X 7/8" (M12, M13, M14, M15, M16, M19, M20, M21)			
141	0121L00966	SUPPORT BLOWER PLATE			
151	B1393726	ELECT. CONNECTING BUSHING			
161	B1393738	BOLT 1/4-20 X 3/4" (QTY 5)			
171	0163M00045	BOLT 1/4-20 X 4"			
181	3225000F	BELT TIGHTENER ANGLE			
191	B1393023	NUT / LOCK .25-20			
NS	1864703F	BLOWER CUT-OFF			
NS	B1398603	STEEL KEY (000158812) 4.5"			

Expanded Model Nomenclature

M1 - CPC060XXX3BXJXCA
M2 - CPC060XXX3BXXXCA
M3 - CPC060XXX3BXXZCA
M4 - CPC060XXX4BXJXCA
M5 - CPC060XXX4BXXBCA
M6 - CPC060XXX4BXXXCA
M7 - CPC060XXX4BXXZCA
M8 - CPC060XXX7BXJXCA
M9 - CPC060XXX7BXXXCA
M10 - CPC0600103BHXBCA
M11 - CPC0600103BHXCCA
M12 - CPC072XXX3BXJXCA
M13 - CPC072XXX3BXXXCA
M14 - CPC072XXX3BXXZCA
M15 - CPC072XXX4BXJXCA
M16 - CPC072XXX4BXXXCA
M17 - CPC072XXX7BXJXCA
M18 - CPC072XXX7BXXXCA
M19 - CPC0720103BHXCCA
M20 - CPC0720104BAXCCA
M21 - CPC0720253BHXXCA

Control Box Assy



Control Box Assy

Ref. Part No:	No:	Description:	Ref. Part No:	No:	Description:
---------------	-----	--------------	---------------	-----	--------------

Image 1:

11	PCBFM131	ELECTRONIC BLOWER TIME DELAY RELAY
21	B1141643	TRANSFORMER 208/230, 24V (M1, M2, M3, M10, M11, M12, M13, M14, M19, M21)
21	B1141653	TRANSFORMER 480V, 75VA, RESETTABLE (M4, M5, M6, M7, M15, M16, M20)
21	0130M00045	TRANSFORMER 575/24V (M8, M9, M17, M18)
31	CONT3P025024V	CONTACTOR 25 AMP, 3P, 24V (M4, M5, M6, M7, M8, M9, M15, M16, M17, M18, M20)
31	CONT3P030024V	CONTACTOR 30 AMP, 3P, 24V (M1, M2, M3, M10, M11, M12, M13, M14, M19, M21)
41	CAP050000370VA	CAPACITOR 5/370V
51	0130M00038	TERMINAL BOARD
NS	20520901	CAPACITOR STRAP
NS	0259L00124	HARNESS, WIRING
NS	0259L00054	WIRING HARNESS (M1, M2, M3, M8, M9, M10, M11, M12, M13, M14, M17, M18, M19, M21)
NS	0259L00060	WIRING HARNESS (M4, M5, M6, M7, M15, M16, M20)
NS	0259L00061	WIRING HARNESS
NS	0259L00064	WIRING HARNESS
NS	0259L00065	WIRING HARNESS (M1, M2, M3, M4, M5, M6, M7, M8, M9, M10, M11)
NS	0259L00094	WIRING HARNESS (M12, M13, M14, M15, M16, M17, M18, M19, M20, M21)

Expanded Model Nomenclature

- M1 - CPC060XXX3BXJXCA
- M2 - CPC060XXX3BXXXCA
- M3 - CPC060XXX3BXXZCA
- M4 - CPC060XXX4BXJXCA
- M5 - CPC060XXX4BXXBCA
- M6 - CPC060XXX4BXXXCA
- M7 - CPC060XXX4BXXZCA
- M8 - CPC060XXX7BXJXCA
- M9 - CPC060XXX7BXXXCA
- M10 - CPC0600103BHXBCA
- M11 - CPC0600103BHXCCA
- M12 - CPC072XXX3BXJXCA
- M13 - CPC072XXX3BXXXCA
- M14 - CPC072XXX3BXXZCA
- M15 - CPC072XXX4BXJXCA
- M16 - CPC072XXX4BXXXCA
- M17 - CPC072XXX7BXJXCA
- M18 - CPC072XXX7BXXXCA
- M19 - CPC0720103BHXCCA
- M20 - CPC0720104BAXCCA
- M21 - CPC0720253BHXCA

Accessory Parts List

Ref. Part No: No:	Description:	Ref. Part No: No:	Description:
-------------------	--------------	-------------------	--------------

Image 1:

NS 0130M00065	CIRCUIT BREAKER, CONVENIENCE OUTLET (M5, M10)
NS 0270L00107	CONVENIENCE OUTLET ASSEMBLY (M5, M10)
NS DSC060A38Y001FI	DISCONNECT MODULE ASSY (M10, M11)
NS DSC060A42Y001FI	DISCONNECT MODULE ASSY (M19)
NS DSC100A42Y001FI	DISCONNECT MODULE ASSY (M21)
NS DNECONGS3672B	ECONOMIZER, DOWNFLOW GAS/AC (M20)
NS LAKT01FIAC	LOW AMBIENT KIT (M11, M19, M20)
NS SDSRKT01FI5	SMOKE DETECTOR ASSEMBLY (M3, M7)
NS SDSRKT01FI6	SMOKE DETECTOR ASSEMBLY (M14)
NS 0130M00061	TRANSFORMER, CONVENIENCE OUTLET (M5, M10)

Expanded Model Nomenclature

- M1 - CPC060XXX3BXJXCA
- M2 - CPC060XXX3BXXXCA
- M3 - CPC060XXX3BXXZCA
- M4 - CPC060XXX4BXJXCA
- M5 - CPC060XXX4BXXBCA
- M6 - CPC060XXX4BXXXCA
- M7 - CPC060XXX4BXXZCA
- M8 - CPC060XXX7BXJXCA
- M9 - CPC060XXX7BXXXCA
- M10 - CPC0600103BHXBCA
- M11 - CPC0600103BHXCCA
- M12 - CPC072XXX3BXJXCA
- M13 - CPC072XXX3BXXXCA
- M14 - CPC072XXX3BXXZCA
- M15 - CPC072XXX4BXJXCA
- M16 - CPC072XXX4BXXXCA
- M17 - CPC072XXX7BXJXCA
- M18 - CPC072XXX7BXXXCA
- M19 - CPC0720103BHXCCA
- M20 - CPC0720104BAXCCA
- M21 - CPC0720253BHXXCA