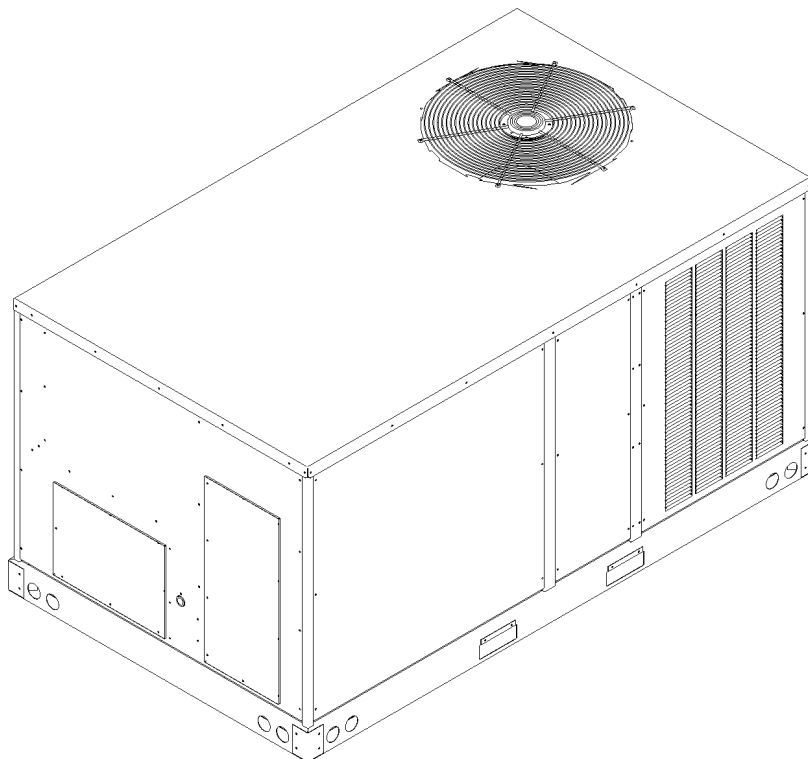


REPAIR PARTS

Light Commercial 3 Phase 5 Ton Package Coolers

CPC060XXX3BXJXAA
CPC060XXX3BXXXAA
CPC060XXX3DXJXAA
CPC060XXX3DXXXAA
CPC060XXX4BXJXAA
CPC060XXX4BXXXAA
CPC060XXX7BXJXAA



This manual is to be used by qualified technicians only.

This manual replaces RP-482.

© 2008 Goodman Manufacturing Company, L.P. ♦ 5151 San Felipe, Suite 500 ♦ Houston, TX 77056

Important Information

Index

Functional Parts List	3
Illustration and Parts	4 - 13

Views shown are for parts illustrations only, not servicing procedures.

Rev. A: Added models CPC060XXX3BXJXAA, CPC060XXX3DXJXAA, CPC060XXX4BXJXAA, and CPC060XXX7BXJXAA.

Text Codes:

AR - As Required

NA - Not Available

NS - Not Shown

00000000 - See Note

QTY - Quantity Example (QTY 3) (If Quantity not shown, Quantity = 1)

M - Model Example (M1) (If M Code not shown, then part is used on all Models)

Expanded Model Nomenclature:

Example
M1 - Model#1
M2 - Model#2
M3 - Model#3

Goodman Manufacturing Company, L.P. is not responsible for personal injury or property damage resulting from improper service. Review all service information before beginning repairs.

Warranty service must be performed by an authorized technician, using authorized factory parts. If service is required after the warranty expires, Goodman Manufacturing Company, L.P. also recommends contacting an authorized technician and using authorized factory parts.

Goodman Manufacturing Company, L.P. reserves the right to discontinue, or change at any time, specifications or designs without notice or without incurring obligations.

For assistance within the U.S.A. contact:
Consumer Affairs Department
Goodman Manufacturing Company, L.P.
7401 Security Way
Houston, Texas 77040
877-254-4729-Telephone
713-863-2382-Facsimile

For assistance outside the U.S.A. contact:
International Division
Goodman Manufacturing Company, L.P.
7401 Security Way
Houston, Texas 77040
713-861-2500-Telephone
713-863-2382-Facsimile

Functional Parts

Part

No: Description:

0131L00003S	BELT DRIVE MOTOR 1 HP (M1, M2, M5, M6)
0131L00004S	BELT DRIVE MOTOR 1.5 HP 575V (M7)
0131L00000S	BLOWER MOTOR 1 HP PROGRAMMED X13 (M3, M4)
PCBFM103S	BOARD, ELECTRONIC BLOWER TIME DELAY RELAY (M1, M2, M5, M6, M7)
CAP050000370VAS	CAPACITOR 5/370V
ZP51K5ETF5830	COMPRESSOR 51000, 208/230/60/3 (M1, M2, M3, M4)
ZP51K5ETFD830	COMPRESSOR 51000, 460/60/3 (M5, M6)
ZP51K5ETFE830	COMPRESSOR 51000, 575/60/3 (M7)
0131M00007PS	COND MOTOR 1/4 HP, 1 SP, 8 PL (M1, M2, M3, M4)
B13400269S	COND MOTOR 380/460 50/60 CYCLE (M5, M6)
0131M00098S	COND MOTOR 575V (M7)
CONT3P025024VS	CONTACTOR 25 AMP, 3P, 24V (M5, M6, M7)
CONT3P030024VS	CONTACTOR 30 AMP, 3P, 24V (M1, M2)
CONT3P030024VS	CONTACTOR 30 AMP, 3P, 24V (QTY 2) (M3, M4)
0130M00030S	CUT-OUT SWITCH, HIGH PRESSURE
0130L00002S	CUT-OUT SWITCH, LOW PRESSURE
0130M00038S	TERMINAL BOARD
B1141643	TRANSFORMER 208/230, 24V (M1, M2, M3, M4)
B1141653	TRANSFORMER 480V, 75VA, RESETTABLE (M5, M6)
0130M00045S	TRANSFORMER 575/24V (M7)

SPECIAL PARTS

0140L00058	GOODMAN LABEL
RP-482A	REPAIR PARTS MANUAL
B1757910	SUPPLEMENTAL INSERT (EBTDR)

Expanded Model Nomenclature

M1 - CPC060XXX3BXJXAA
M2 - CPC060XXX3BXXXAA
M3 - CPC060XXX3DXJXAA
M4 - CPC060XXX3DXXXAA
M5 - CPC060XXX4BXJXAA
M6 - CPC060XXX4BXXXAA
M7 - CPC060XXX7BXJXAA

Top Panel/Tubing Assy

Image 1

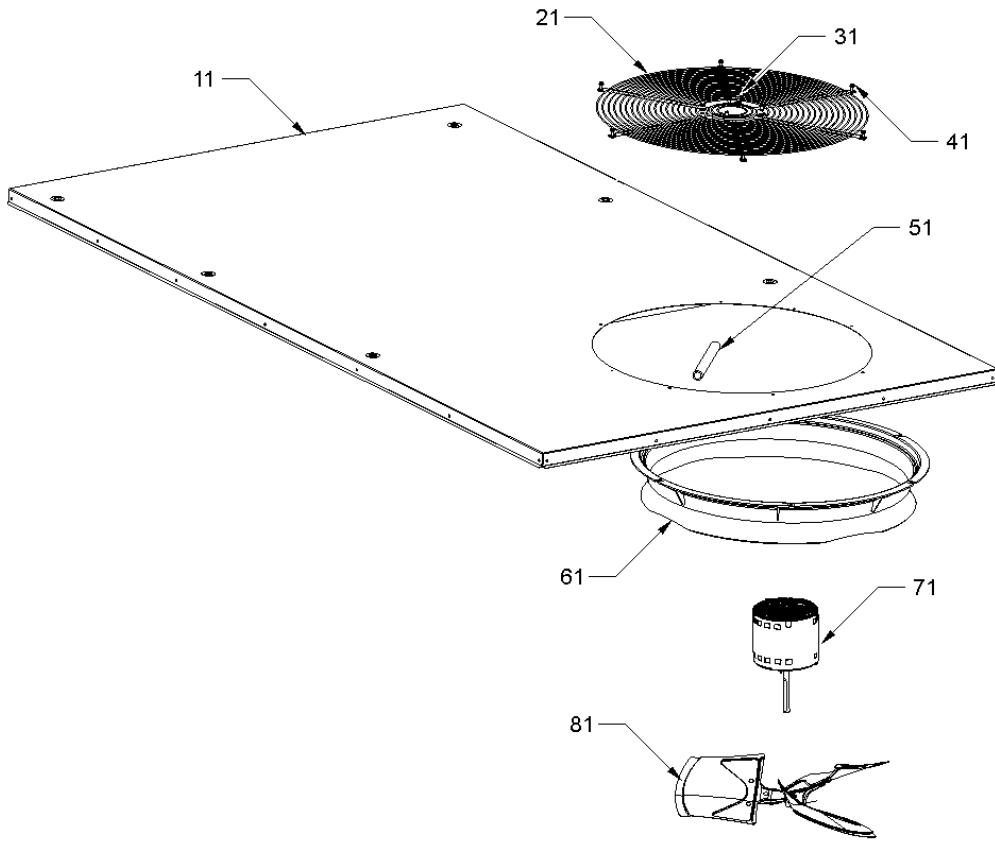
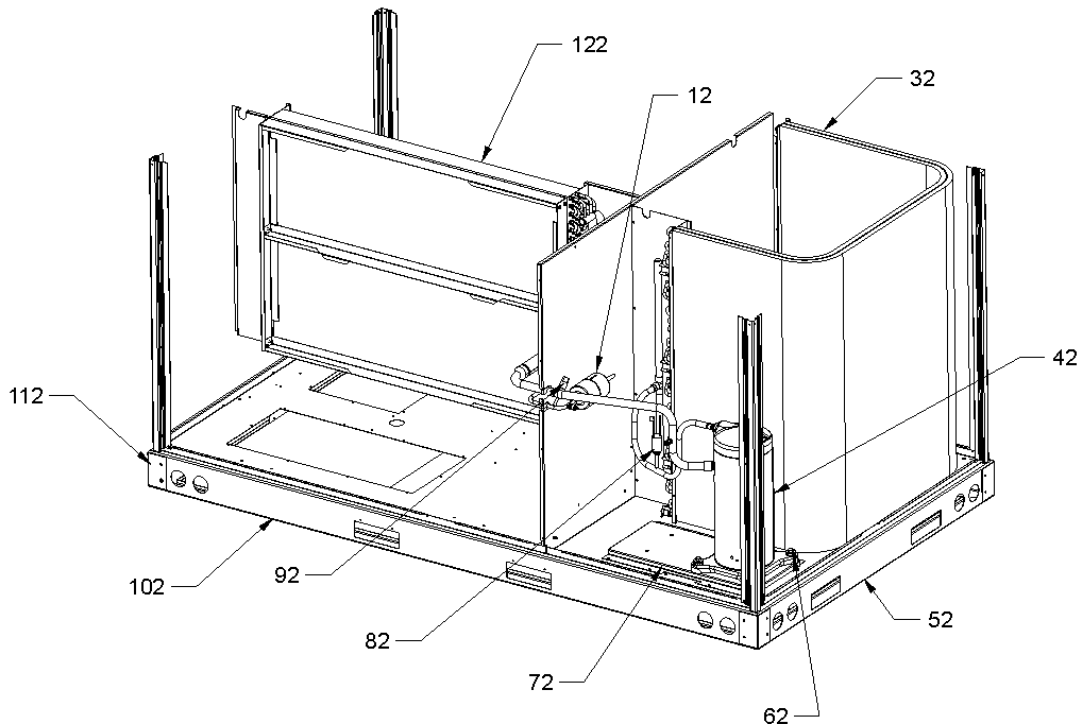


Image 2



Top Panel/Tubing Assy

Ref. Part No: No:	Description:	Ref. Part No: No:	Description:
-------------------	--------------	-------------------	--------------

Image 1:

11	0274L00001S	INSULATED ASSY, TOP PANEL
21	0152G00002S	FAN GRILLE
31	0163M00006P	ACORN NUT 5/16 HEX BLACK (QTY 4)
41	0163M00004	SCREW #10X3/4", BLACK (M1, M2, M3, M4)
41	M0221817	SMALL SCREW (M5, M6, M7)
51	17788000083F	PVC CONDUIT 8.25"
61	0161L00000	VENTURI RING 22"
71	0131M00007PS	COND MOTOR 1/4 HP, 1 SP, 8 PL (M1, M2, M3, M4)
71	B13400269S	COND MOTOR 380/460 50/60 CYCLE (M5, M6)
71	0131M00098S	COND MOTOR 575V (M7)
81	0150G00001S	FAN BLADE
NS	0259L00000	COND MOTOR HARNESS (M1, M2, M3, M4, M7)
NS	0259L00023	COND MOTOR HARNESS 460V (M5, M6)

Image 2:

12	B5134711	FILTER DRIER
32	0201L00000S	TUBING ASSY, COND COIL (M2, M4, M6)
32	0201L00023S	TUBING ASSY, COND COIL (M1, M3, M5, M7)
42	ZP51K5ETF5830	COMPRESSOR 51000, 208/230/60/3 (M1, M2, M3, M4)
42	ZP51K5ETFD830	COMPRESSOR 51000, 460/60/3 (M5, M6)
42	ZP51K5ETFE830	COMPRESSOR 51000, 575/60/3 (M7)
52	0121G00262S	BASEPAN RAIL-SHORT (QTY 2)
62	M0221641	TF SHOULDER SCREW (QTY 4)
72	0121L00004	COMPRESSOR MOUNTING PLATE
82	0130M00030S	CUT-OUT SWITCH, HIGH PRESSURE
92	0130L00002S	CUT-OUT SWITCH, LOW PRESSURE
102	0121G00261	BASEPAN RAIL-LONG (QTY 2)
112	0121G00301	RAIL CORNER BRACKET (QTY 4)
122	0202L00000S	TUBING ASSY, EVAP COIL
NS	B1339533	COMPRESSOR GROMMET (QTY 4)
NS	0159L00003	COMPRESSOR SCROLL HARNESS (M1, M2, M3, M4, M5, M6)
NS	0159L00004	COMPRESSOR SCROLL HARNESS (M7)
NS	0162M00074S	FLOWRATOR .082 [EVAP]
NS	0162M00073S	FLOWRATOR [COND]

Expanded Model Nomenclature

M1 - CPC060XXX3BXJXAA
M2 - CPC060XXX3BXXXAA
M3 - CPC060XXX3DXJXAA
M4 - CPC060XXX3DXXXAA
M5 - CPC060XXX4BXJXAA
M6 - CPC060XXX4BXXXAA
M7 - CPC060XXX7BXJXAA

Cabinet Assy

Image 1

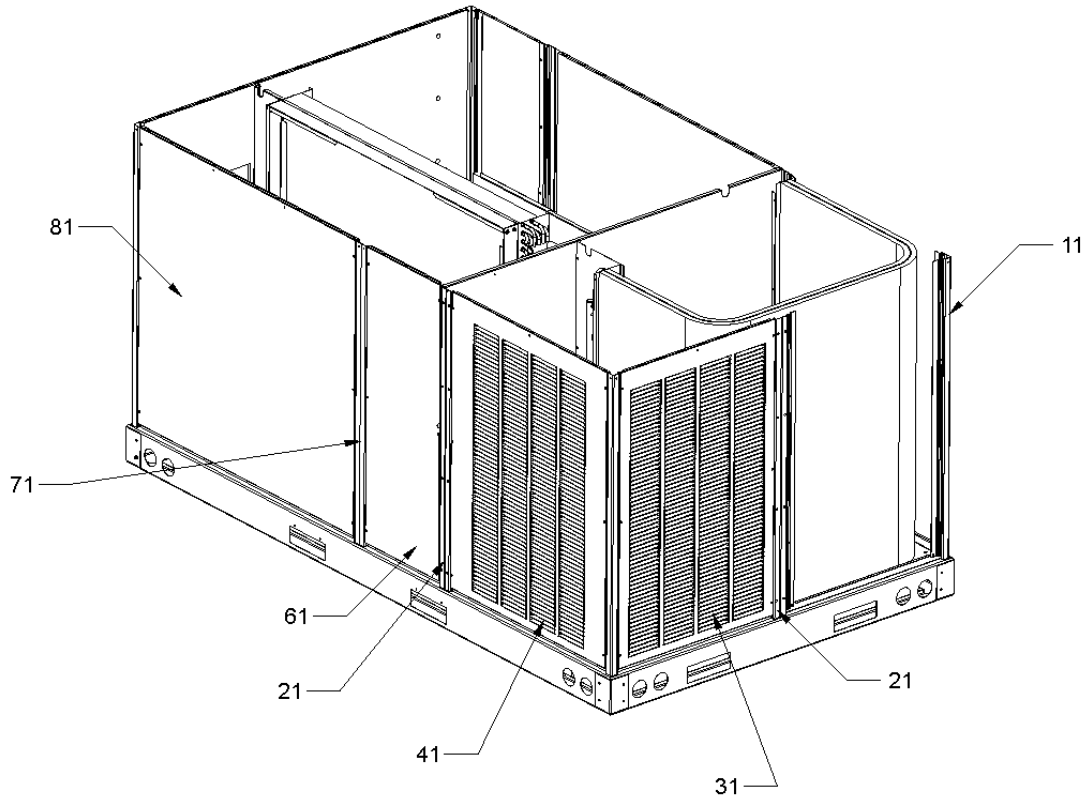
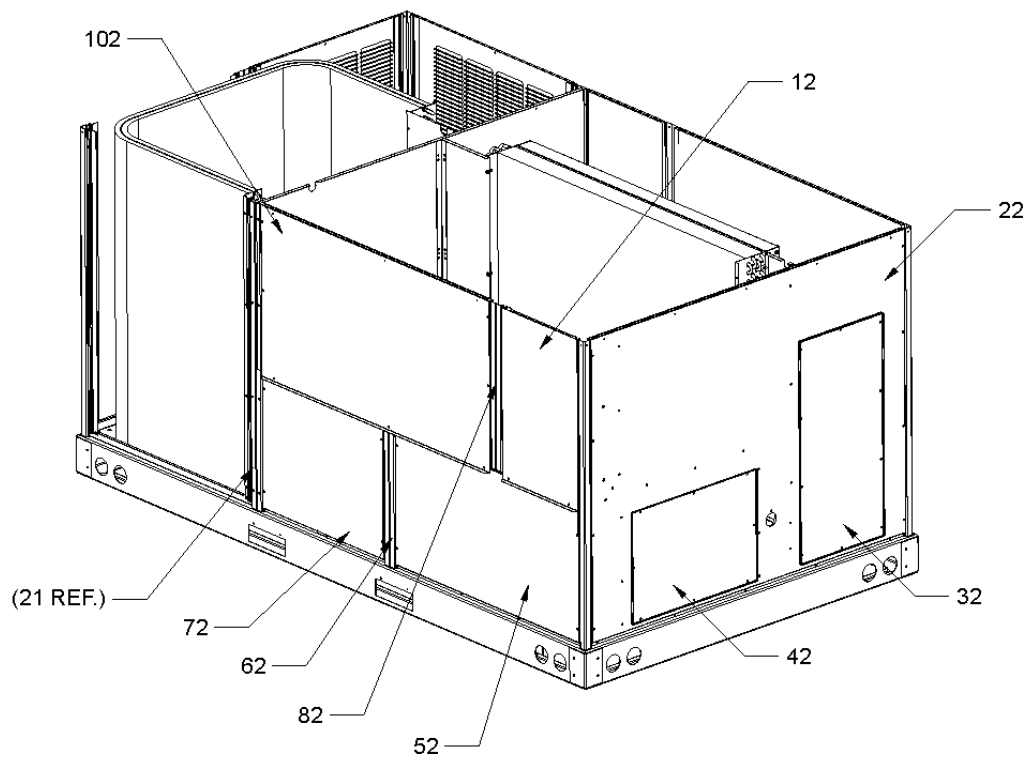


Image 2



Cabinet Assy

Ref. Part No:	No:	Description:	Ref. Part No:	No:	Description:
---------------	-----	--------------	---------------	-----	--------------

Image 1:

11	0121G00253RFDG	CORNER POST 36" (QTY 4)
21	0121G00283RFDG	POST-SIDE SUPPORT (QTY 3)
31	0121L00128DGS	LOUVERED END PANEL
41	0121L00001DGS	LOUVERED SIDE PANEL
61	0270L00004S	INSULATED ASSY, FILTER DOOR
71	0121L00125RFDG	SIDE POST-FILTER DOOR
81	0270L00003S	INSULATED ASSY, ECONOMIZER DOOR
NS	0140L00058	GOODMAN LABEL

Image 2:

12	0121G00294DGS	CONTROL DOOR
22	0270L00001S	INSULATED ASSY, DUCT PANEL
32	0270L00011S	INSULATED ASSY, RETURN DUCT
42	0270L00012S	INSULATED ASSY, SUPPLY DUCT
52	0270L00018S	INSULATED ASSY, HEAT EXCHANGER DOOR
62	0121G00299RFDG	POST-BURNER DOOR
72	0121L00017DG	BURNER DOOR
82	0121G00298RFDG	CONTROL POST
102	0270L00002S	INSULATED ASSY, BLOWER DOOR

Expanded Model Nomenclature

- M1 - CPC060XXX3BXJXAA
- M2 - CPC060XXX3BXXXAA
- M3 - CPC060XXX3DXJXAA
- M4 - CPC060XXX3DXXXAA
- M5 - CPC060XXX4BXJXAA
- M6 - CPC060XXX4BXXXAA
- M7 - CPC060XXX7BXJXAA

Partition Assy

Image 1

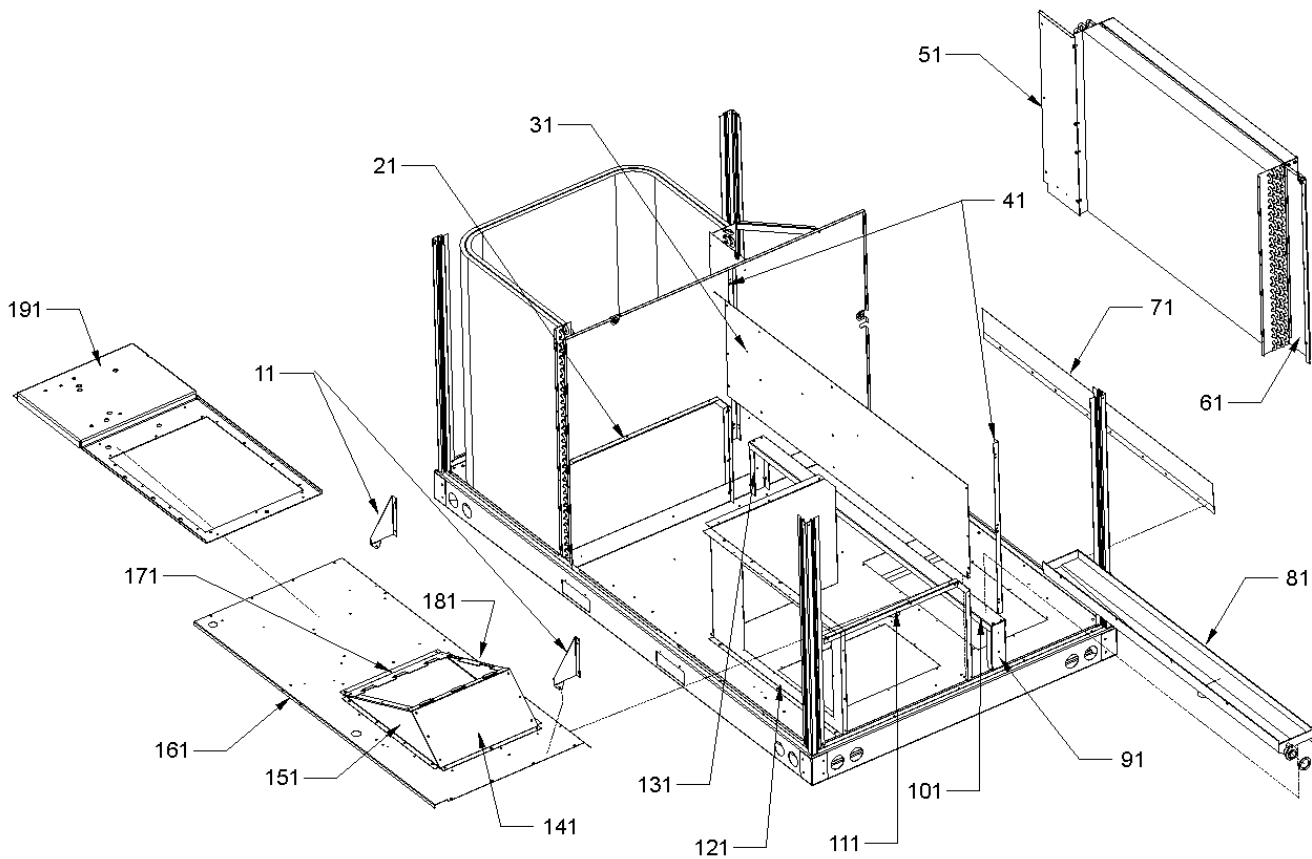
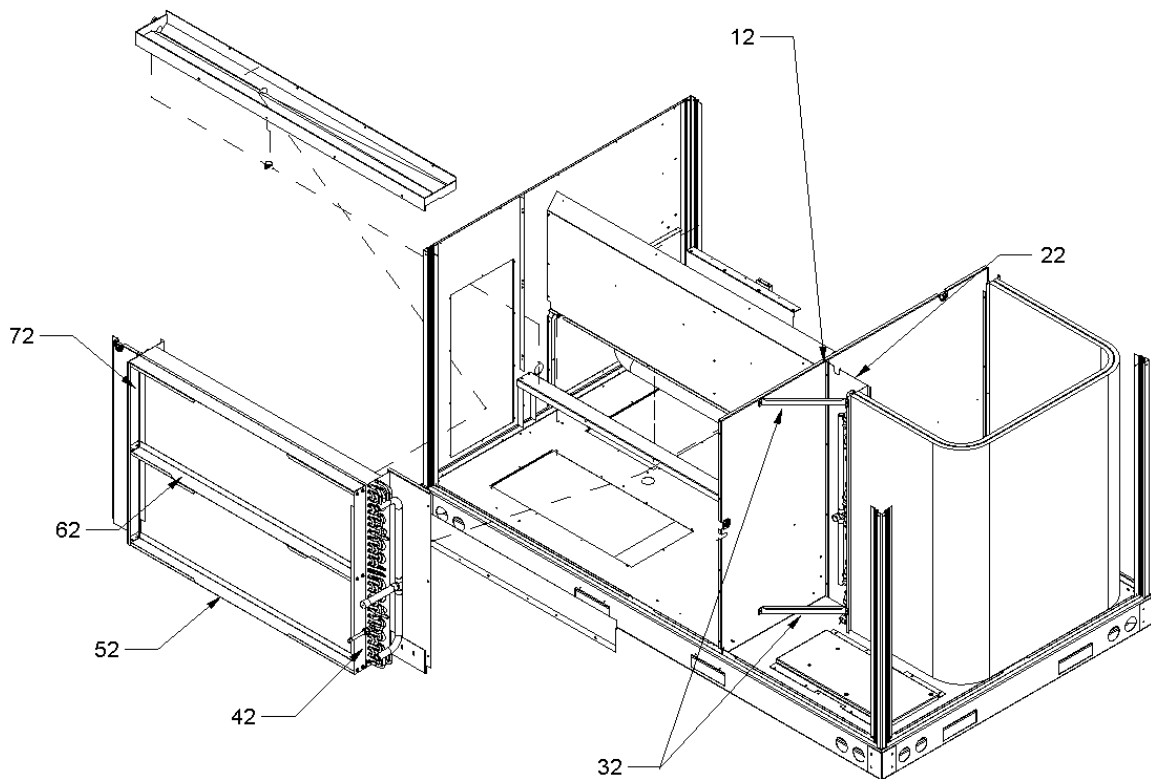


Image 2



Partition Assy

Ref. Part No: No:	Description:	Ref. Part No: No:	Description:
-------------------	--------------	-------------------	--------------

Image 1:

11	0121L00062	EVAP COIL BRACE (QTY 2)
21	0121L00006	MOUNTING ANGLE-DECK, COND END
31	0121L00003	DECK SIDE CHANNEL
41	0121L00005	EVAP MOUNTING ANGLE (QTY 2)
51	0121G00256	EVAP EXTENSION-HAIRPIN SIDE
61	0121G00255	EVAP EXTENSION-RETURN SIDE
71	0121L00016	EVAP BLOW-OFF SHIELD
81	0161L00001	DRAIN PAN
91	0121L00037	SUPPORT LEG, DRAIN PAN
101	0121L00035	DRAIN PAN SUPPORT
111	0121L00007	MOUNTING ANGLE-DECK, DUCT END
121	0121L00160	ELECTRIC HEAT PANEL
131	0121L00036	SUPPORT LEG, DRAIN PAN
141	0121G00264	BLOWER TRANSITION, RH END
151	0121G00265	BLOWER TRANSITION, FRONT
161	0121L00159	BLOWER DECK
171	0121G00267	BLOWER TRANSITION, LH END
181	0121G00266	BLOWER TRANSITION, BACK
191	0270L00014S	MOUNTING PLATE ASSY (M1, M2, M5, M6, M7)

Image 2:

12	0121L00008	COND MOUNTING ANGLE
22	0121G00258	COND BLOCK-OFF
32	0121L00064	COND COIL BRACE (QTY 2)
42	0121L00204	FILTER ANGLE-VERTICAL (RETURN SIDE)
52	0121L00206	FILTER ANGLE-HORIZONTAL (QTY 2)
62	0121L00220	FILTER RACK STRAP (QTY 2)
72	0121L00205	FILTER ANGLE-VERTICAL (HAIRPIN SIDE)
NS	0160L00008	FILTER 14 X 20 X 2 (QTY 4)

Expanded Model Nomenclature

M1 - CPC060XXX3BXJXAA
M2 - CPC060XXX3BXXXXAA
M3 - CPC060XXX3DXJXAA
M4 - CPC060XXX3DXXXXAA
M5 - CPC060XXX4BXJXAA
M6 - CPC060XXX4BXXXXAA
M7 - CPC060XXX7BXJXAA

Belt Drive Assy

Image 1

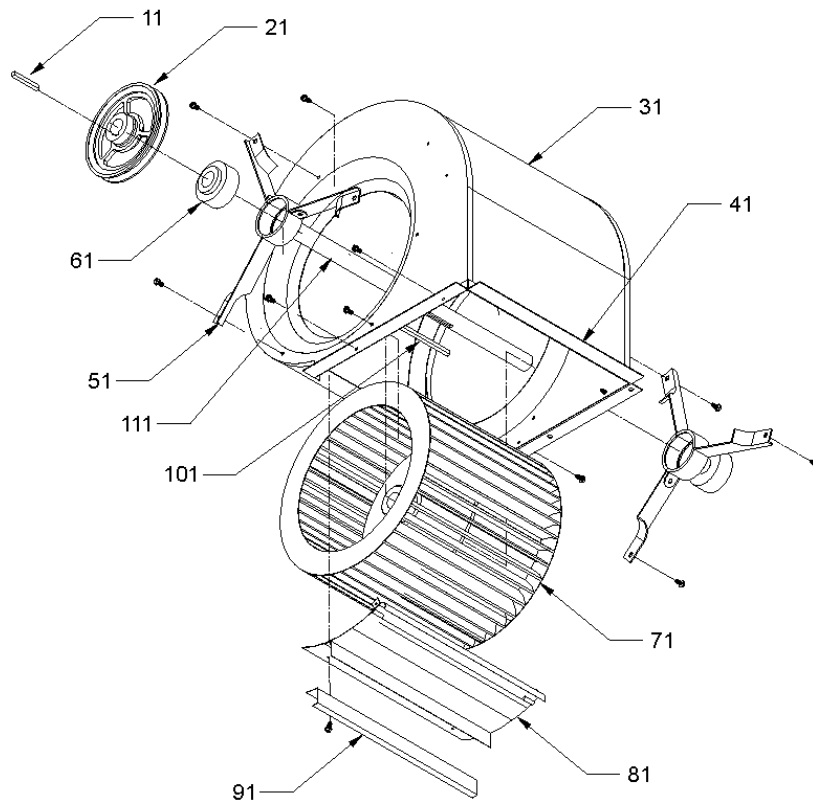
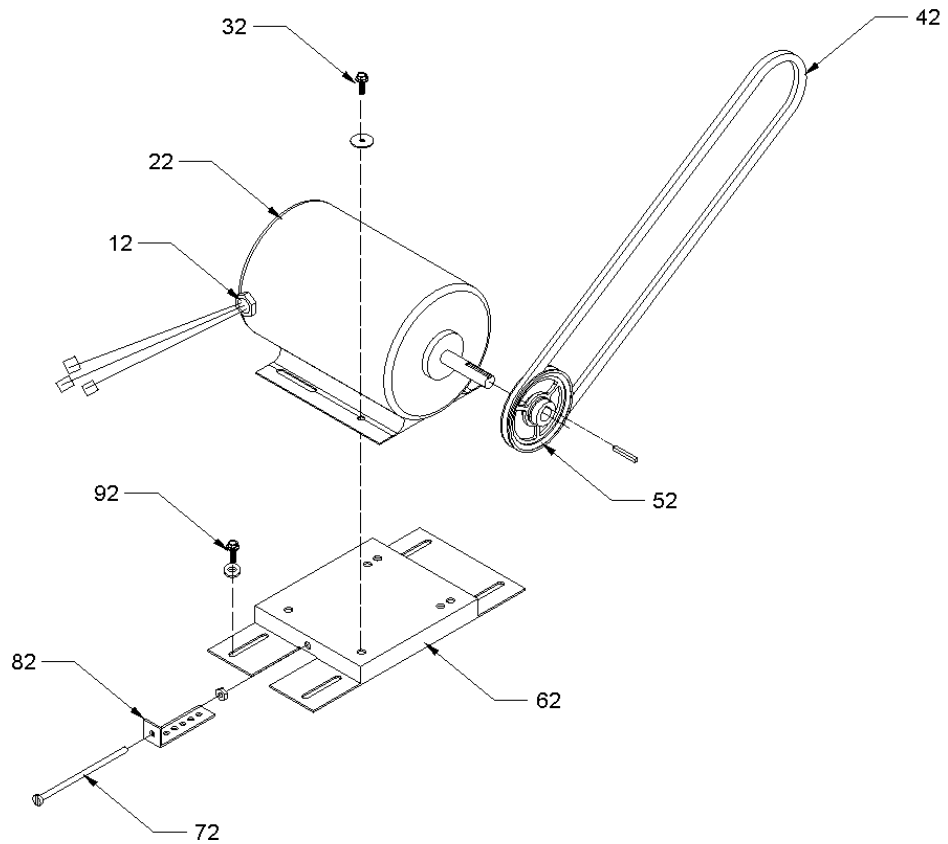


Image 2



Belt Drive Assy

Ref. Part No:	Part No:	Description:	Ref. Part No:	Part No:	Description:
---------------	----------	--------------	---------------	----------	--------------

Image 1:

11	B1398604	STEEL KEY (000158812) 2.0" (M1, M2, M5, M6, M7)
21	B3204303	FIXED SHEAVE AK61 (M1, M2, M5, M6, M7)
31	2539302FS	BLOWER HOUSING 11 X 10 (M1, M2, M5, M6, M7)
41	0121L00022S	BLOWER MOUNTING ANGLE (M1, M2, M5, M6, M7)
51	B3201300	MOUNTING BRACKET BEARING (M1, M2, M5, M6, M7)
61	B1399500	BALL BEARING 1.00" (M1, M2, M5, M6, M7)
71	B1368056	BELT DRIVE BLOWER WHEEL (M1, M2, M5, M6, M7)
81	1864700F	BELT DRIVE BLOWER CUT-OFF (M1, M2, M5, M6, M7)
91	0121L00050	BLOWER MOUNTING BRACKET (M1, M2, M5, M6, M7)
101	B1398603	STEEL KEY (000158812) 4.5" (M1, M2, M5, M6, M7)
111	0163L00005	BELT DRIVE BLOWER SHAFT (M1, M2, M5, M6, M7)
NS	0259L00008	MOTOR HARNESS-BELT DRIVE (M1, M2, M5, M6, M7)

Image 2:

12	B1393726	ELECT. CONNECTING BUSHING (M1, M2, M5, M6, M7)
22	0131L00003S	BELT DRIVE MOTOR 1 HP (M1, M2, M5, M6)
22	0131L00004S	BELT DRIVE MOTOR 1.5 HP 575V (M7)
32	B1393738	BOLT 1/4-20 X 3/4" (M1, M2, M5, M6, M7)
42	B2110005	NOTCHED FAN BELT (M1, M2, M5, M6, M7)
52	B2120001	VARIABLE PITCH SHEAVE 1VL44 X 3/8" (M1, M2, M5, M6, M7)
62	0270L00046S	MOTOR BASE ASSY (M1, M2, M5, M6, M7)
72	0163M00045	BOLT 1/4-20 X 4" (M1, M2, M5, M6, M7)
82	3225000F	BELT TIGHTENER ANGLE (M1, M2, M5, M6, M7)
92	B1446707	SCREW 5/16-18 X 1" (M1, M2, M5, M6, M7)

Expanded Model Nomenclature

M1 - CPC060XXX3BXJXAA
M2 - CPC060XXX3BXXXXAA
M3 - CPC060XXX3DXJXAA
M4 - CPC060XXX3DXXXXAA
M5 - CPC060XXX4BXJXAA
M6 - CPC060XXX4BXXXXAA
M7 - CPC060XXX7BXJXAA

Blower/Control Box Assy

Image 1

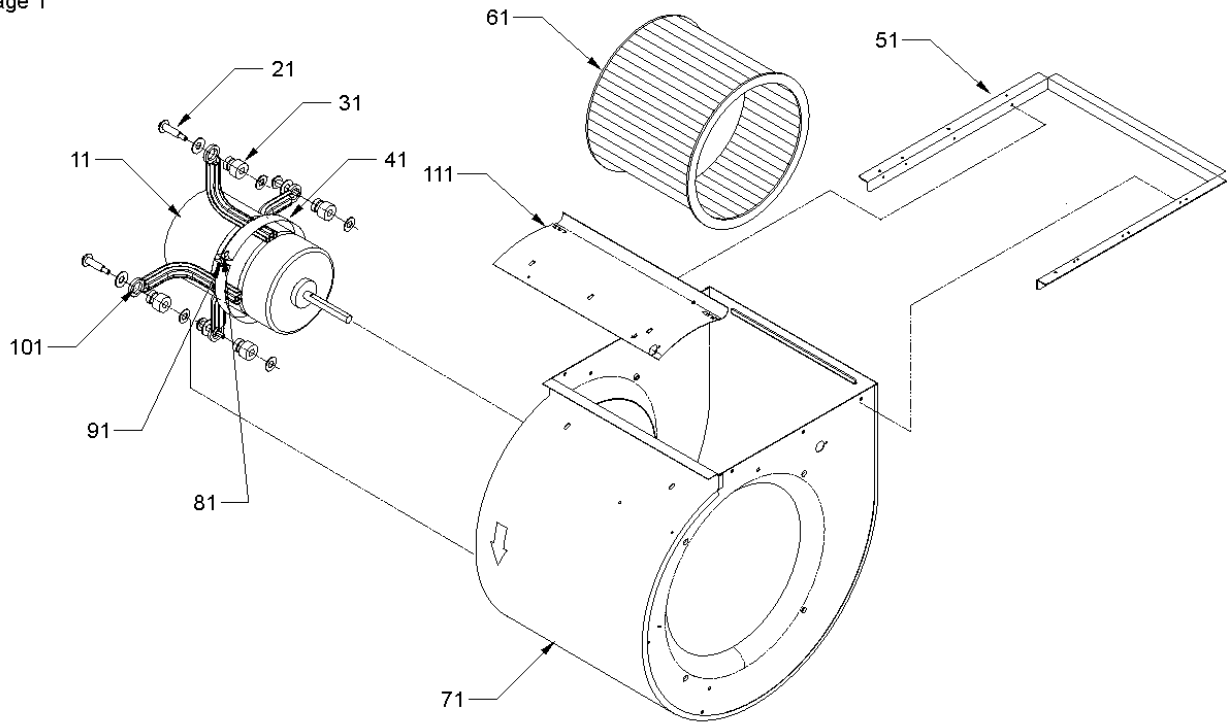
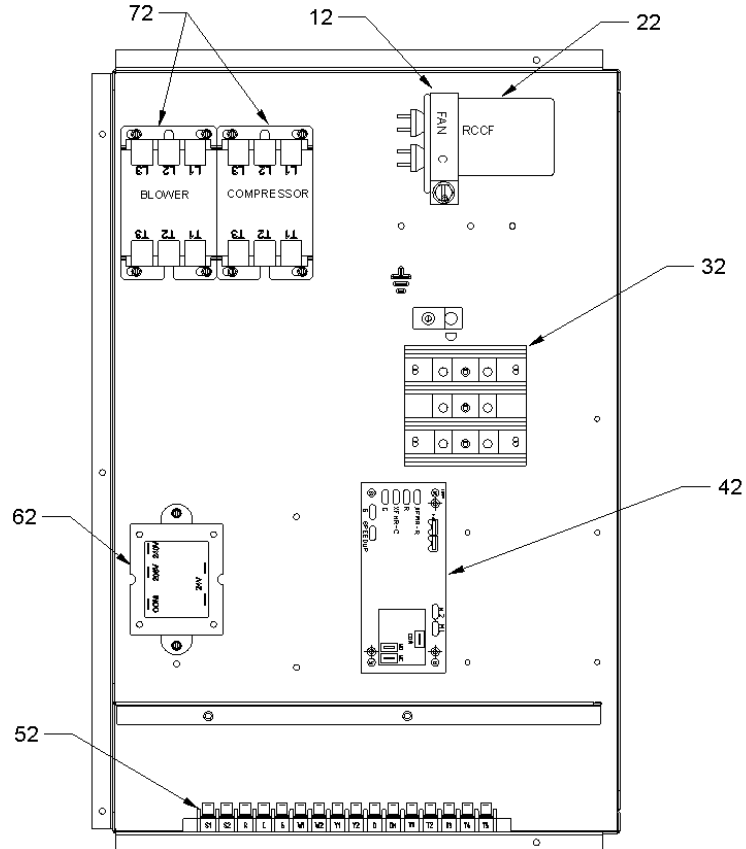


Image 2



Blower/Control Box Assy

Ref. Part No:	Part No:	Description:	Ref. Part No:	Part No:	Description:
---------------	----------	--------------	---------------	----------	--------------

Image 1:

11	0131L00000S	BLOWER MOTOR 1 HP PROGRAMMED X13 (M3, M4)
21	M0221461	TC SCREW (M3, M4)
31	A4002702	BLOWER MOTOR GROMMET (M3, M4)
41	10441601	MOTOR MOUNT BAND (M3, M4)
51	0121L00022S	BLOWER MOUNTING ANGLE (M3, M4)
61	0150L00000S	BLOWER WHEEL (M3, M4)
71	11185811	BLOWER HOUSING 11 X 10 (M3, M4)
81	M0282015	KEPS NUT (M3, M4)
91	M0267144	MACHINE SCREW (M3, M4)
101	10441501	MOTOR MOUNT ARM (M3, M4)
111	C6121807	BLOWER CUT-OFF (M3, M4)

Image 2:

12	20520901	CAPACITOR STRAP
22	CAP050000370VAS	CAPACITOR 5/370V
32	16330-3	POWER BLOCK
42	PCBFM103S	BOARD, ELECTRONIC BLOWER TIME DELAY RELAY (M1, M2, M5, M6, M7)
52	0130M00038S	TERMINAL BOARD
62	B1141643	TRANSFORMER 208/230, 24V (M1, M2, M3, M4)
62	B1141653	TRANSFORMER 480V, 75VA, RESETTABLE (M5, M6)
62	0130M00045S	TRANSFORMER 575/24V (M7)
72	CONT3P025024VS	CONTACTOR 25 AMP, 3P, 24V (M5, M6, M7)
72	CONT3P030024VS	CONTACTOR 30 AMP, 3P, 24V (M1, M2)
72	CONT3P030024VS	CONTACTOR 30 AMP, 3P, 24V (QTY 2) (M3, M4)
NS	0259L00001	CONTROL HARNESS 230V (M3, M4)
NS	0259L00002	CONTROL HARNESS 460V/575V (M1, M2, M5, M6, M7)
NS	0259L00005	ECONOMIZER HARNESS
NS	0259L00032	LCM HARNESS, ELECTRIC HEAT (M1, M2, M5, M6, M7)
NS	0259L00003	POWER HARNESS
NS	0259L00004	WIRE HARNESS, ELECTRIC HEAT (M3, M4)
NS	0130M00021	WIRE HARNESS, X-13 LOW VOLTAGE (M3, M4)
NS	0130M00022	X-13 POWER HARNESS (M3, M4)

Expanded Model Nomenclature

M1 - CPC060XXX3BXJXAA
M2 - CPC060XXX3BXXXAA
M3 - CPC060XXX3DXJXAA
M4 - CPC060XXX3DXXXAA
M5 - CPC060XXX4BXJXAA
M6 - CPC060XXX4BXXXAA
M7 - CPC060XXX7BXJXAA