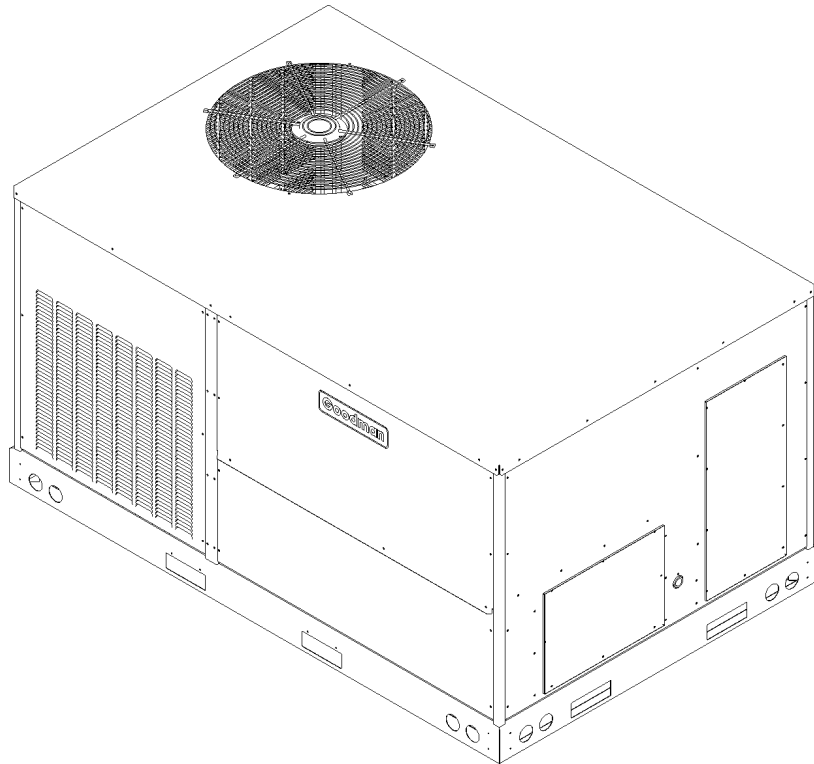


# REPAIR PARTS

---

## Commercial 5 Ton Direct Drive Package Coolers

CPC0600203DJXMCA  
CPC060XXX1DXJXCA  
CPC060XXX1DXXXCA  
CPC060XXX3DXJXCA  
CPC060XXX3DXXXCA



This manual is to be used by qualified technicians only.

This manual replaces RP-711A.

© 2012-2013 Goodman Manufacturing Company, L.P. ♦ 5151 San Felipe, Suite 500 ♦ Houston, TX 77056

# Important Information

---

## Index

Functional Parts List .....	3
Illustration and Parts .....	4 - 15

*Views shown are for parts illustrations only, not servicing procedures.*

This system uses R410A refrigerant. If sealed system work is required, use approved equipment and follow service procedures. Refer to Service Manual or Installation Instructions for service procedures.

### Text Codes:

AR - As Required

NA - Not Available

NS - Not Shown

00000000 - See Note

QTY - Quantity Example (QTY 3) (If Quantity not shown, Quantity = 1)

M - Model Example (M1) (If M Code not shown, then part is used on all Models)

### Expanded Model Nomenclature:

Example M1 - Model#1 M2 - Model#2 M3 - Model#3
---

Goodman Manufacturing Company, L.P. is not responsible for personal injury or property damage resulting from improper service. Review all service information before beginning repairs.

Warranty service must be performed by an authorized technician, using authorized factory parts. If service is required after the warranty expires, Goodman Manufacturing Company, L.P. also recommends contacting an authorized technician and using authorized factory parts.

Goodman Manufacturing Company, L.P. reserves the right to discontinue, or change at any time, specifications or designs without notice or without incurring obligations.

For assistance within the U.S.A. contact:  
Consumer Affairs Department  
Goodman Manufacturing Company, L.P.  
7401 Security Way  
Houston, Texas 77040  
877-254-4729-Telephone  
713-863-2382-Facsimile

For assistance outside the U.S.A. contact:  
International Division  
Goodman Manufacturing Company, L.P.  
7401 Security Way  
Houston, Texas 77040  
713-861-2500-Telephone  
713-863-2382-Facsimile

# Functional Parts

## Part

## No: Description:

---

0131M00305	BLOWER MOTOR - 1 HP PROGRAMMED SELEC
CAP050700440RT	CAP,5/70 MFD/440V/DUAL RD (M1, M2)
CAP050000370VA	CAPACITOR 5/370V (M3, M4, M5)
ZP51K5ETF5130	COMP,51000,208/230/60/3 (M3, M4, M5)
ZP51K5EPFV130	COMPRESSOR 51000, 208/230/60/1 (M1, M2)
0131M00007P	COND MOTOR 1/4 HP, 1 SP, 6 PL
CONT3P030024V	CONTACTOR 30 AMP, 3P, 24V (M3, M4, M5)
CONT2P040024V	CONTACTOR 40 AMP, 2P, 24V (M1, M2)
0150G00001	FAN BLADE
0130M00074	HIGH PRESSURE SWITCH
0130M00087	LOW PRESSURE SWITCH
0130M00038	TERMINAL BOARD
B1141643	TRANSFORMER 208/230, 24V

### Expanded Model Nomenclature

M1 - CPC060XXX1DXJXCA
M2 - CPC060XXX1DXXXCA
M3 - CPC060XXX3DXJXCA
M4 - CPC060XXX3DXXXCA
M5 - CPC0600203DJXMCA

# Top Panel / Tubing Assy

Image 1

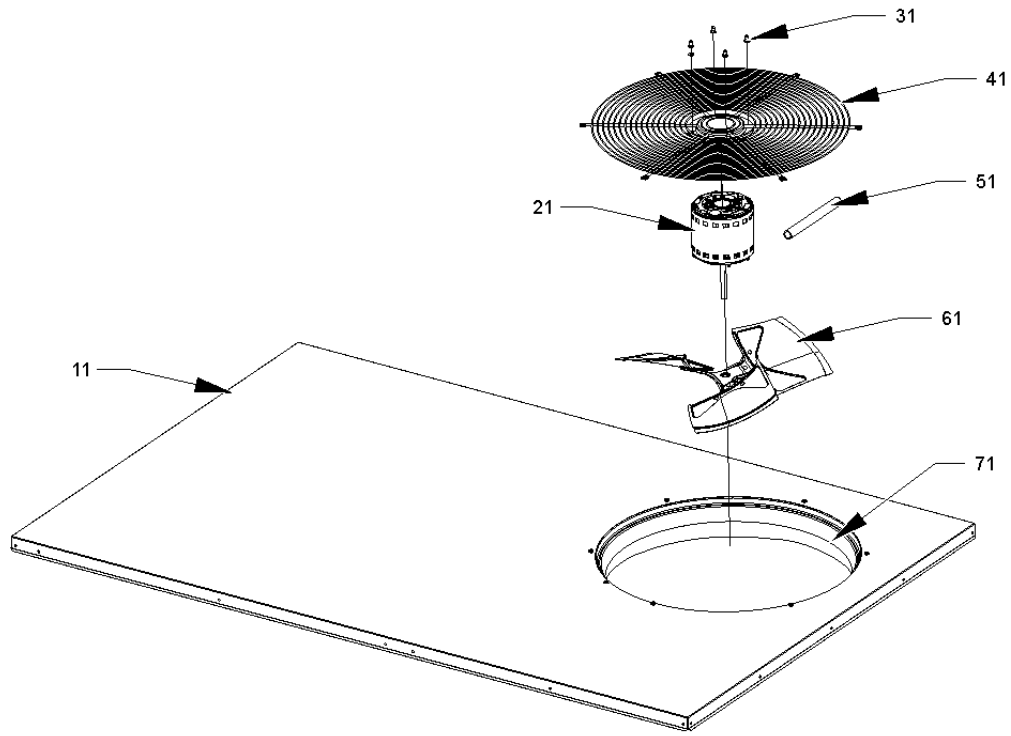
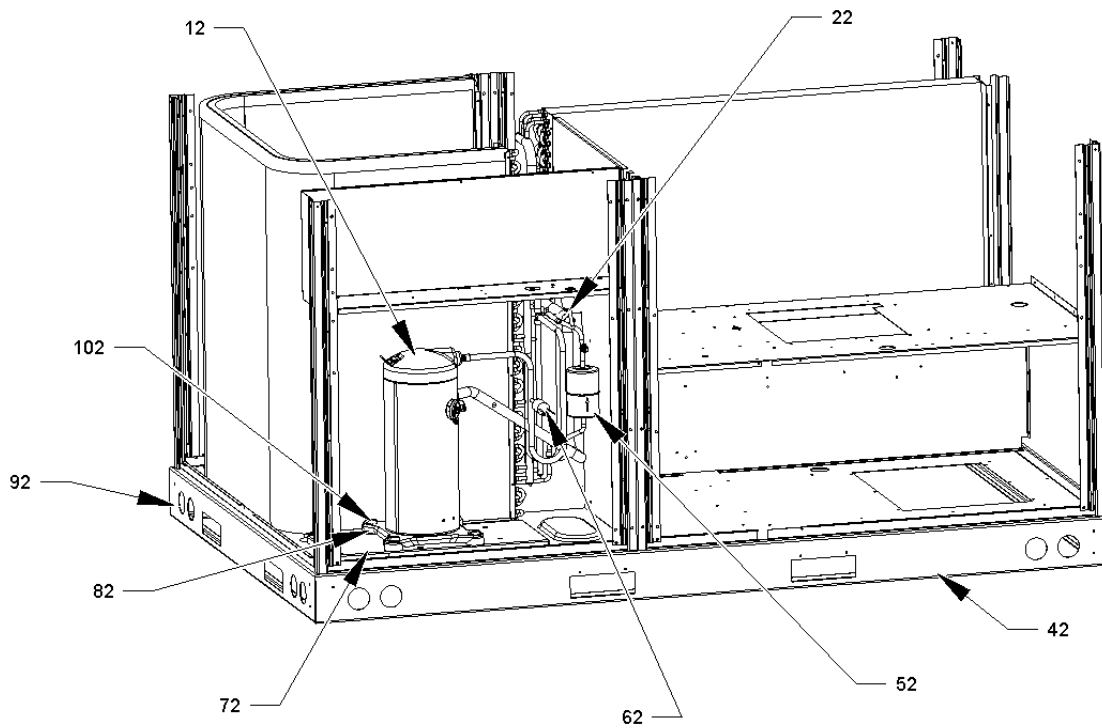


Image 2



# Top Panel / Tubing Assy

Ref. Part No: No:	Description:	Ref. Part No: No:	Description:
-------------------	--------------	-------------------	--------------

*Image 1:*

11	0270L00086	INSULATED ASSY, TOP PANEL
21	0131M00007P	COND MOTOR 1/4 HP, 1 SP, 6 PL
31	0163M00006P	ACORN NUT 5/16 HEX BLACK (QTY 4)
41	0152G00002	FAN GRILLE
51	B1778800	PVC CONDUIT-1/2"
61	0150G00001	FAN BLADE
71	0161L00000	VENTURI RING 22"

*Image 2:*

12	ZP51K5ETF5130	COMP,51000,208/230/60/3 (M3, M4, M5)
12	ZP51K5EPFV130	COMPRESSOR 51000, 208/230/60/1 (M1, M2)
22	0130M00087	LOW PRESSURE SWITCH
42	0121L00244RF	SIDE RAIL (QTY 2)
52	0162R00009	FILTER DRIER
62	0130M00074	HIGH PRESSURE SWITCH
72	0121L00310	COMPRESSOR MOUNTING PLATE
82	B1339533	COMPRESSOR GROMMET (QTY 4)
92	0121L00245	END RAIL (QTY 2)
102	M0221641	TF SHOULDER SCREW (QTY 4)
NS	0159L00027	COMPRESSOR SCROLL HARNESS (M1, M2)
NS	0159L00028	COMPRESSOR SCROLL HARNESS (M3, M4, M5)

Expanded Model Nomenclature

M1 - CPC060XXX1DXJXCA
M2 - CPC060XXX1DXXXCA
M3 - CPC060XXX3DXJXCA
M4 - CPC060XXX3DXXXCA
M5 - CPC0600203DJXMCA

# Cabinet Assy

Image 1

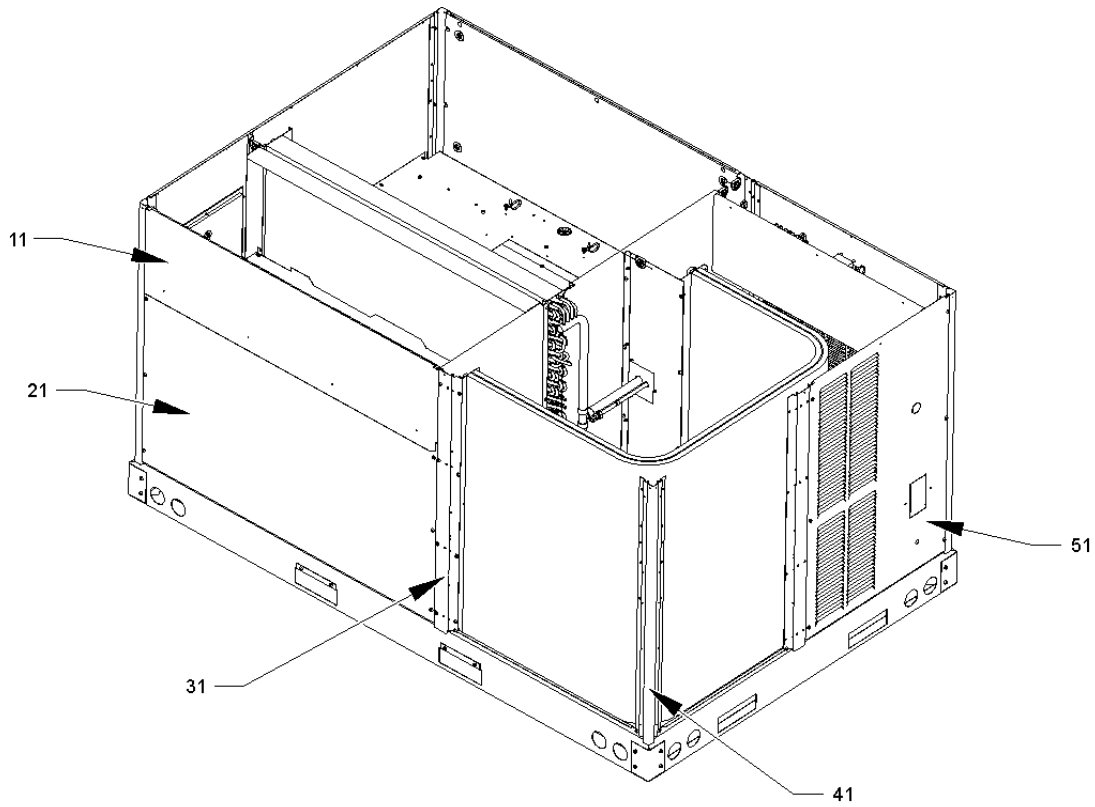
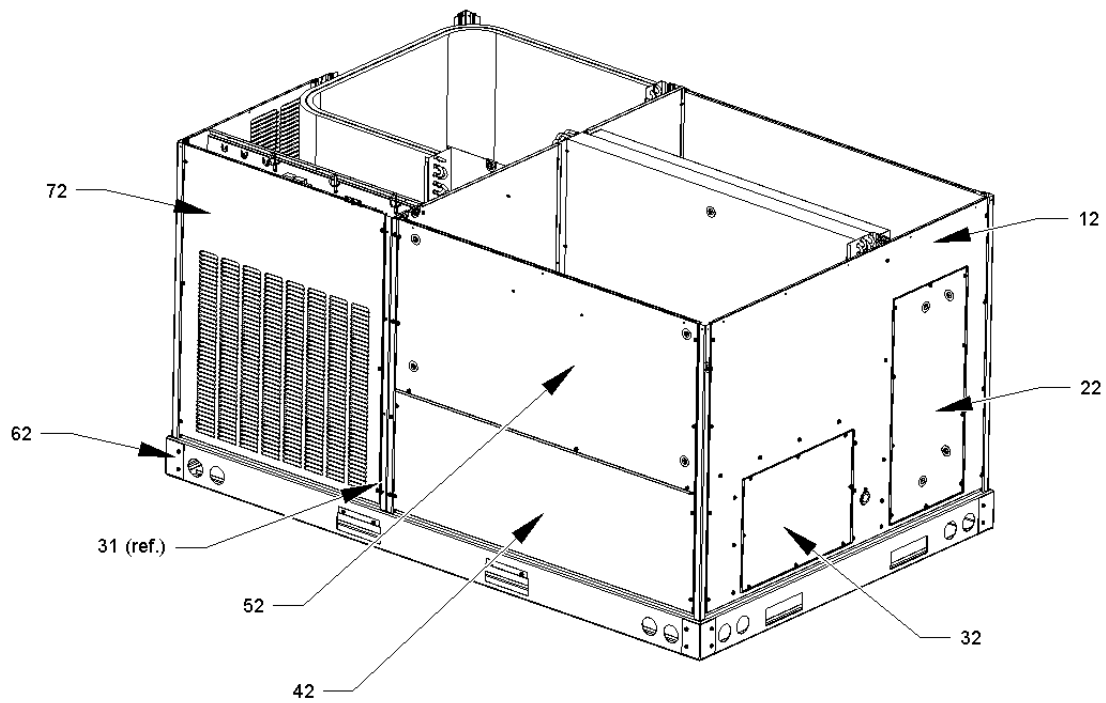


Image 2



# Cabinet Assy

Ref. Part No: No:	Description:	Ref. Part No: No:	Description:
-------------------	--------------	-------------------	--------------

---

*Image 1:*

11	0270L00080	INSULATED ASSY, FILTER DOOR
21	0270L00081	INSULATED ASSY, ECONOMIZER DOOR
31	0121L00233RFDG	POST-SIDE SUPPORT (QTY 3)
41	0121L00237RFDG	CORNER POST (QTY 4)
51	0121L00263DG	LOUVERED COMPRESSOR PANEL

*Image 2:*

12	0270L00079	INSULATED ASSY, DUCT PANEL
22	0270L00011	INSULATED ASSY, RETURN DUCT
32	0270L00012	INSULATED ASSY, SUPPLY DUCT
42	0270L00293	DOOR ELECTRIC HEAT ASSY
52	0270L00084	INSULATED ASSY, BLOWER DOOR
62	0121G00301	RAIL CORNER BRACKET (QTY 4)
72	0121L00262	PANEL-CONTROL LOUVERS

Expanded Model Nomenclature

M1 - CPC060XXX1DXJXCA
M2 - CPC060XXX1DXXXCA
M3 - CPC060XXX3DXJXCA
M4 - CPC060XXX3DXXXCA
M5 - CPC0600203DJXMCA

# Partition Assy

Image 1

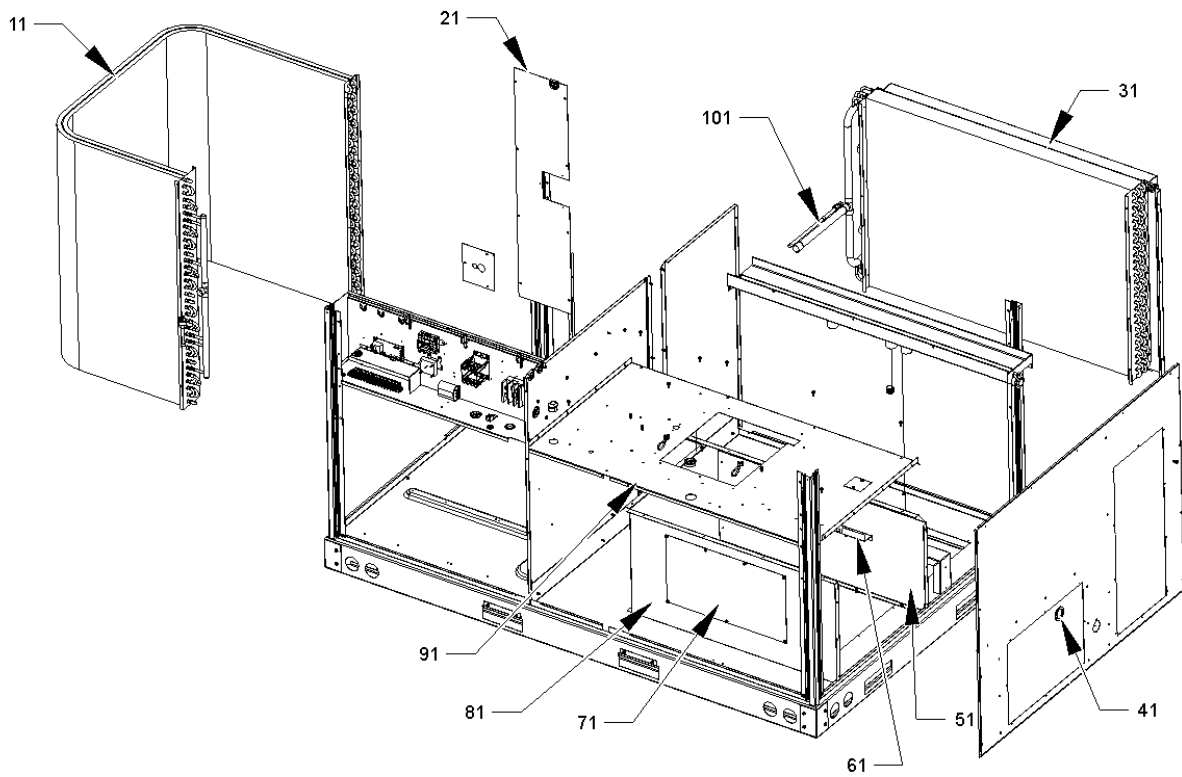
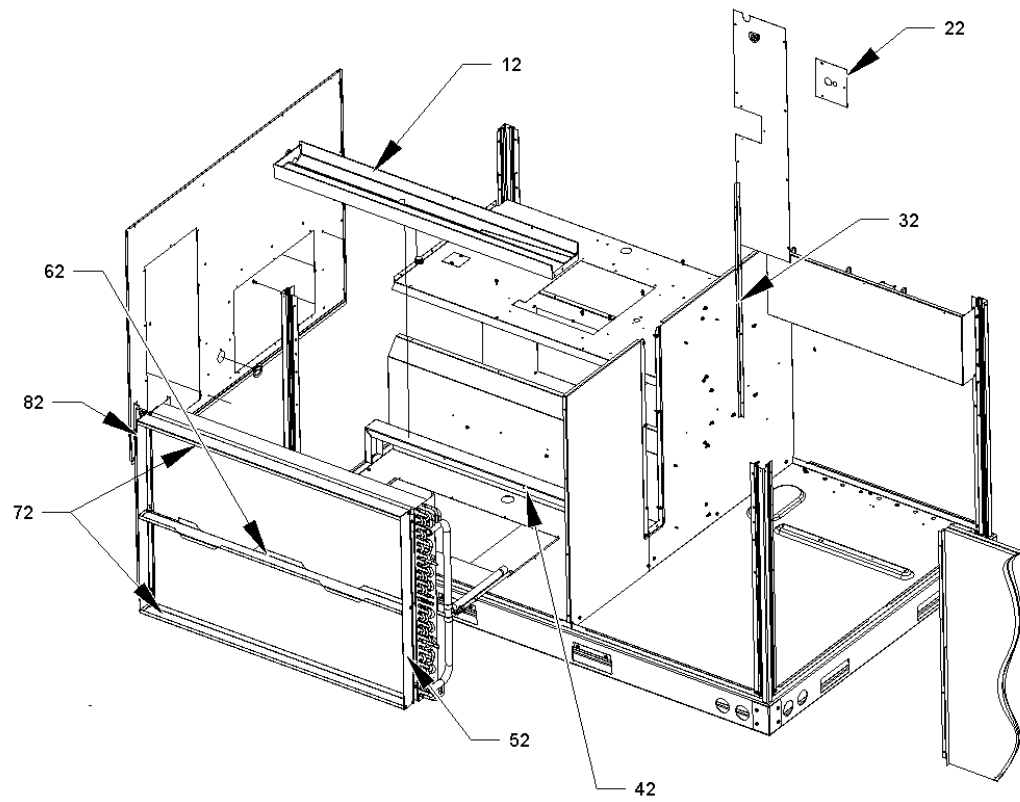


Image 2



# Partition Assy

Ref. Part No: No:	Description:	Ref. Part No: No:	Description:
-------------------	--------------	-------------------	--------------

*Image 1:*

11	0201L00141	CONDENSER COIL ASSY (M2, M4, M5)
11	0201L00160	CONDENSER COIL ASSY (M1, M3)
21	0121L00882	BLOCKOFF-CONDENSER
31	0202L00020	TUBING ASSY, EVAP COIL
41	0154L00009	DRAIN PAN GASKET
51	0121L00243	DECK SIDE CHANNEL
61	0121L00288	ELECTRIC HEAT RETAINER
71	0121L00144	ELECTRIC HEAT COVER
81	0121L00256	ELECTRIC HEAT PANEL
91	0121L00981	DECK BLOWER
101	0162L00012	FLOWRATOR [EVAP]

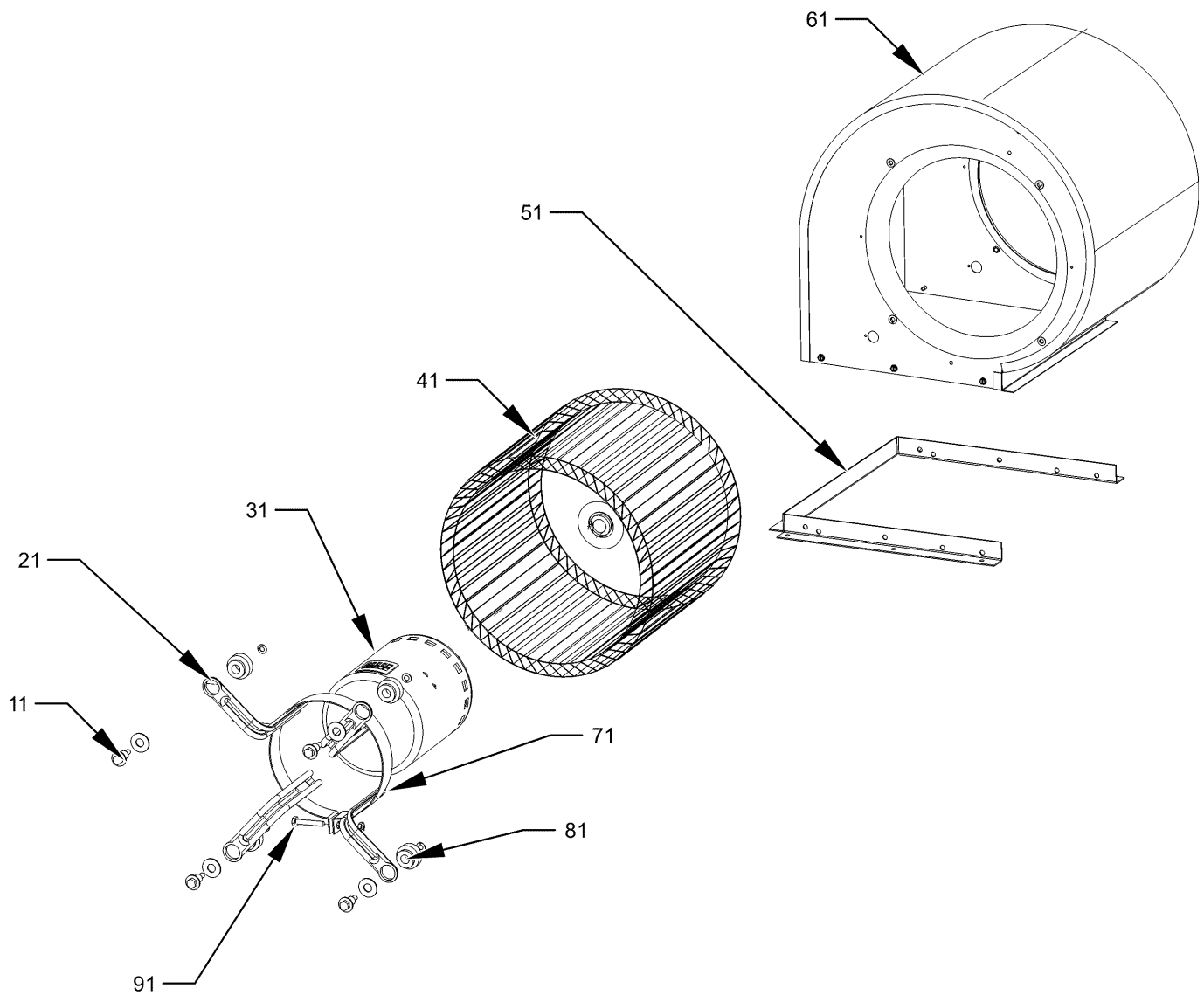
*Image 2:*

12	0161L00005	DRAIN PAN
22	0121L00939	PLATE-CONDENSER BLOCKOFF
32	0121L00254	COND MOUNTING ANGLE
42	0121L00238	DRAIN PAN SUPPORT
52	0121L00287	FILTER ANGLE-VERTICAL (RETURN SIDE)
62	0121L00298	FILTER ANGLE-HORIZONTAL (CENTER)
72	0121L00932	FILTER ANGLE- HORIZONTAL (QTY 2)
82	0121L00303	FILTER ANGLE-VERTICAL (HAIRPIN SIDE)
NS	0160L00008	FILTER 14 X 20 X 2 (QTY 4)

Expanded Model Nomenclature

M1 - CPC060XXX1DXJXCA
M2 - CPC060XXX1DXXXCA
M3 - CPC060XXX3DXJXCA
M4 - CPC060XXX3DXXXCA
M5 - CPC0600203DJXMCA

# Blower Assy



# Blower Assy

Ref. Part No: No:	Description:	Ref. Part No: No:	Description:
-------------------	--------------	-------------------	--------------

---

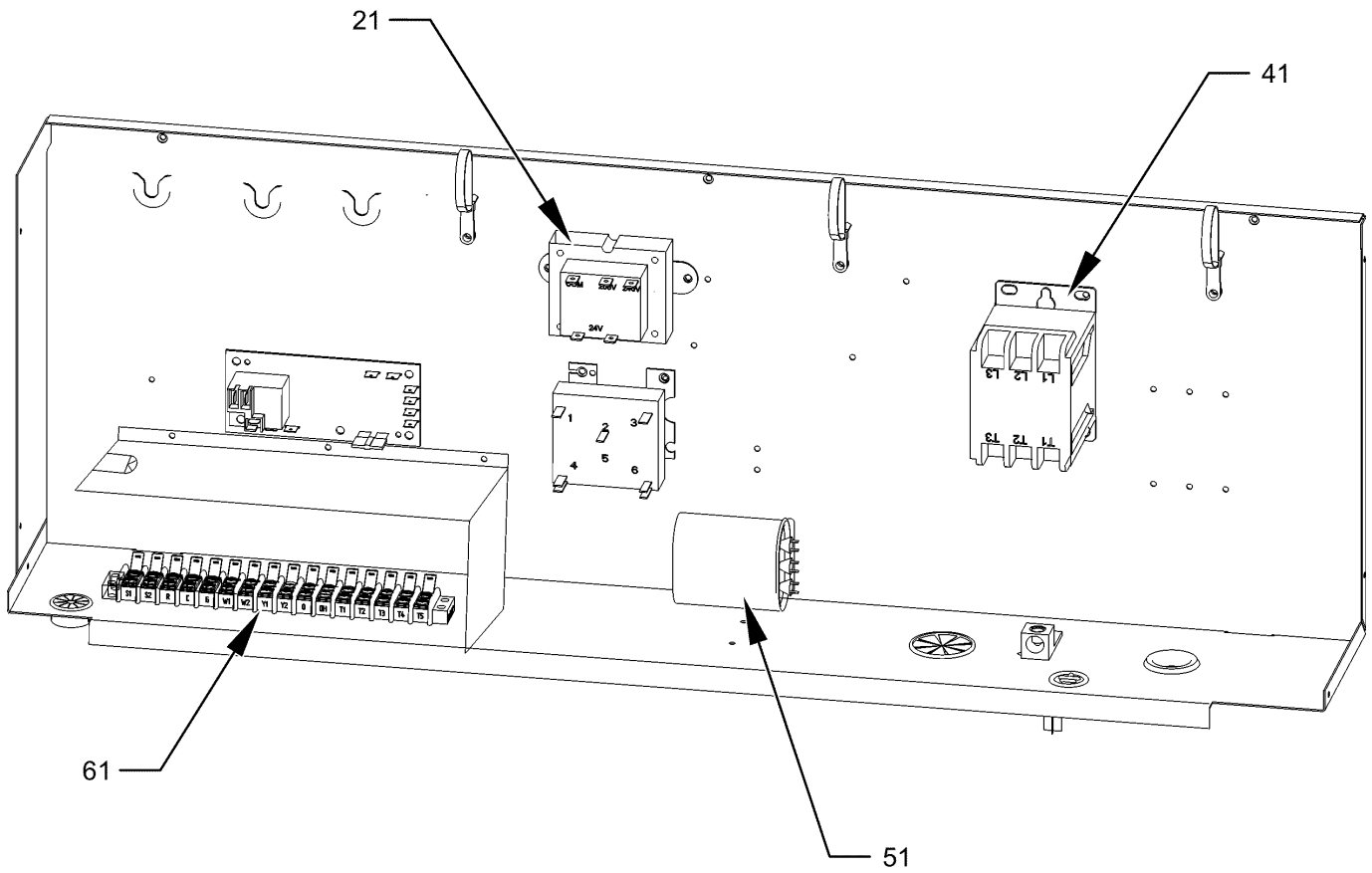
Image 1:

11	M0221461	TC SCREW (QTY 4)
21	10441501	MOTOR MOUNT ARM (QTY 4)
31	0131M00305	BLOWER MOTOR - 1 HP PROGRAMMED SELEC
41	B1368000S	BLOWER WHEEL 11 X 10
51	0121L00281	BLOWER MOUNTING ANGLE
61	11185811	BLOWER HOUSING 11 X 10
71	10441601	MOTOR MOUNT BAND
81	A4002702	BLOWER MOTOR GROMMET (QTY 4)
91	M0267144	MACHINE SCREW
NS	C6121807	BLOWER CUT-OFF

Expanded Model Nomenclature

M1 - CPC060XXX1DXJXCA
M2 - CPC060XXX1DXXXCA
M3 - CPC060XXX3DXJXCA
M4 - CPC060XXX3DXXXCA
M5 - CPC0600203DJXMCA

# Control Box Assy



# Control Box Assy

**Ref. Part  
No: No:**

**Description:**

**Ref. Part  
No: No:**

**Description:**

---

*Image 1:*

21	B1141643	TRANSFORMER 208/230, 24V
41	CONT3P030024V	CONTACTOR 30 AMP, 3P, 24V (M3, M4, M5)
41	CONT2P040024V	CONTACTOR 40 AMP, 2P, 24V (M1, M2)
51	CAP050700440RT	CAP,5/70 MFD/440V/DUAL RD (M1, M2)
51	CAP050000370VA	CAPACITOR 5/370V (M3, M4, M5)
61	0130M00038	TERMINAL BOARD
NS	20520901	CAPACITOR STRAP
NS	0259L00124	HARNESS, WIRING
NS	0259L00054	WIRING HARNESS
NS	0259L00058	WIRING HARNESS
NS	0259L00059	WIRING HARNESS

Expanded Model Nomenclature

M1 - CPC060XXX1DXJXCA
M2 - CPC060XXX1DXXXCA
M3 - CPC060XXX3DXJXCA
M4 - CPC060XXX3DXXXCA
M5 - CPC0600203DJXMCA

# Accessory Parts List

Ref. Part No: No:	Description:	Ref. Part No: No:	Description:
-------------------	--------------	-------------------	--------------

Image 1:

NS 0130M00065	CIRCUIT BREAKER, CONVENIENCE OUTLET (M5)
NS 0270L00107	CONVENIENCE OUTLET ASSEMBLY (M5)
NS DSC100A38Y001FI	DISCONNECT MODULE ASSY (M5)
NS DNECONGS3672B	ECONOMIZER, DOWNFLOW GAS/AC (M5)
NS LAKT01FIAC	LOW AMBIENT KIT (M5)
NS 0130M00061	TRANSFORMER, CONVENIENCE OUTLET (M5)

Expanded Model Nomenclature

- |                       |
|-----------------------|
| M1 - CPC060XXX1DXJXCA |
| M2 - CPC060XXX1DXXXCA |
| M3 - CPC060XXX3DXJXCA |
| M4 - CPC060XXX3DXXXCA |
| M5 - CPC0600203DJXMCA |