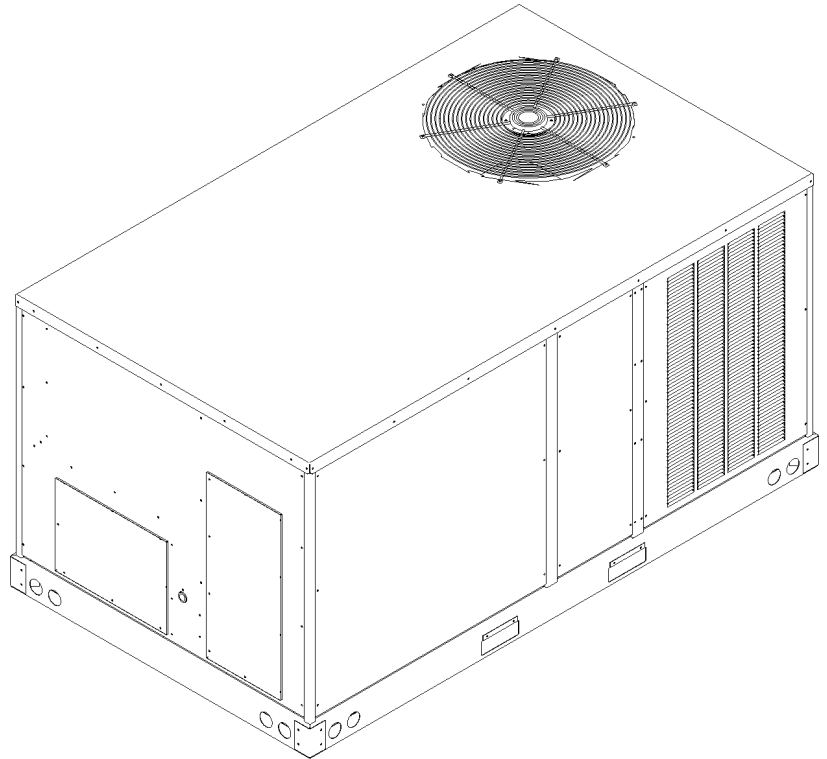


# REPAIR PARTS

---

## Light Commercial Single Phase 3 - 6 Ton Package Coolers

CPC036XXX1DXJXAA  
CPC036XXX1DXXXAA  
CPC036XXX3DXJXAA  
CPC048XXX1DXJXAA  
CPC048XXX1DXXXAA  
CPC060XXX1DXJXAA  
CPC060XXX1DXXXAA  
CPC060XXX3DXJXAA



This manual is to be used by qualified technicians only.

This manual replaces RP-481B.

© 2008-2014 Goodman Manufacturing Company, L.P. ♦ 5151 San Felipe, Suite 500 ♦ Houston, TX 77056

# Important Information

---

## Index

Functional Parts List .....	3
Illustration and Parts .....	4 - 13

*Views shown are for parts illustrations only, not servicing procedures*

Rev. B: Added models CPC036XXX1DXJXAA, CPC036XXX3DXJXAA, CPC048XXX1DXJXAA, CPC060XXX1DXJXAA, and CPC060XXX3DXJXAA.

Rev. C: Updated blower housing part numbers and nomenclature.

### Text Codes:

AR - As Required

NA - Not Available

NS - Not Shown

00000000 - See Note

QTY - Quantity Example (QTY 3) (If Quantity not shown, Quantity = 1)

M - Model Example (M1) (If M Code not shown, then part is used on all Models)

### Expanded Model Nomenclature:

Example M1 - Model#1 M2 - Model#2 M3 - Model#3
---

Goodman Manufacturing Company, L.P. is not responsible for personal injury or property damage resulting from improper service. Review all service information before beginning repairs.

Warranty service must be performed by an authorized technician, using authorized factory parts. If service is required after the warranty expires, Goodman Manufacturing Company, L.P. also recommends contacting an authorized technician and using authorized factory parts.

Goodman Manufacturing Company, L.P. reserves the right to discontinue, or change at any time, specifications or designs without notice or without incurring obligations.

For assistance within the U.S.A. contact:  
Consumer Affairs Department  
Goodman Manufacturing Company, L.P.  
7401 Security Way  
Houston, Texas 77040  
877-254-4729-Telephone  
713-863-2382-Facsimile

For assistance outside the U.S.A. contact:  
International Division  
Goodman Manufacturing Company, L.P.  
7401 Security Way  
Houston, Texas 77040  
713-861-2500-Telephone  
713-863-2382-Facsimile

# Functional Parts

## Part

## No: Description:

---

0130M00025	24V RELAY (M1, M2, M3, M4, M5)
0131L00000	BLOWER MOTOR 1 HP PROGRAMMED X13 (M6, M7, M8)
0131M00094	BLOWER MOTOR 230V (M1, M2, M3)
0131M00091	BLOWER MOTOR 230V (M4, M5)
0150M00014	BLOWER WHEEL (M1, M2, M3, M4, M5)
0150L00000	BLOWER WHEEL (M6, M7, M8)
CAP100000370LA	CAPACITOR 10/370V (M1, M2, M3)
CAP150000370LA	CAPACITOR 15/370V (M4, M5)
CAP050000370LA	CAPACITOR 5/370V (M3, M8)
CAP050450440CT	CAPACITOR 5/45/440V/DUAL RD (M1, M2, M4, M5)
CAP050700440CT	CAPACITOR 5/70/440V/DUAL RD (M6, M7)
ZP31K5EPFV130	COMPRESSOR 31100, 208/230/60/1 (M1, M2)
ZP31K5ETF5130	COMPRESSOR 31200, 200/230/60/3 (M3)
ZP39K5EPFV130	COMPRESSOR 39000, 208/230/60/1 (M4, M5)
ZP51K5EPFV130	COMPRESSOR 51000, 208/230/60/1 (M6, M7)
ZP51K5ETF5130	COMPRESSOR 51000, 208/230/60/3 (M8)
0131M00429	COND MOTOR 1/4 HP, 1 SP,6 PL
CONT3P025024V	CONTACTOR 25 AMP, 3P, 24V (M3)
CONT1P030024V	CONTACTOR 30 AMP, 1P, 24V (M1, M2, M4, M5)
CONT3P030024V	CONTACTOR 30 AMP, 3P, 24V (M8)
CONT2P040024V	CONTACTOR 40 AMP, 2P, 24V (M6, M7)
0130M00030	CUT-OUT SWITCH, HIGH PRESSURE
0130L00002	CUT-OUT SWITCH, LOW PRESSURE
PCBFM103	ELECTRONIC BLOWER TIME DELAY (M1, M2, M3, M4, M5)
0150G00001	FAN BLADE
0162R00009	FILTER DRIER (M6, M7, M8)
16220-2	POWER BLOCK (M1, M2, M4, M5, M6, M7)
0130M00042	POWER BLOCK (M3, M8)
B1219225	SINGLE-FLOW FILTER DRIER, STEEL (M1, M2, M3, M4, M5)
0130M00038	TERMINAL BOARD
0130M00138	TRANSFORMER 208/230, 24V

### Expanded Model Nomenclature

M1 - CPC036XXX1DXJXAA
M2 - CPC036XXX1DXXXAA
M3 - CPC036XXX3DXJXAA
M4 - CPC048XXX1DXJXAA
M5 - CPC048XXX1DXXXAA
M6 - CPC060XXX1DXJXAA
M7 - CPC060XXX1DXXXAA
M8 - CPC060XXX3DXJXAA

# Top Panel/Tubing Assy

Image 1

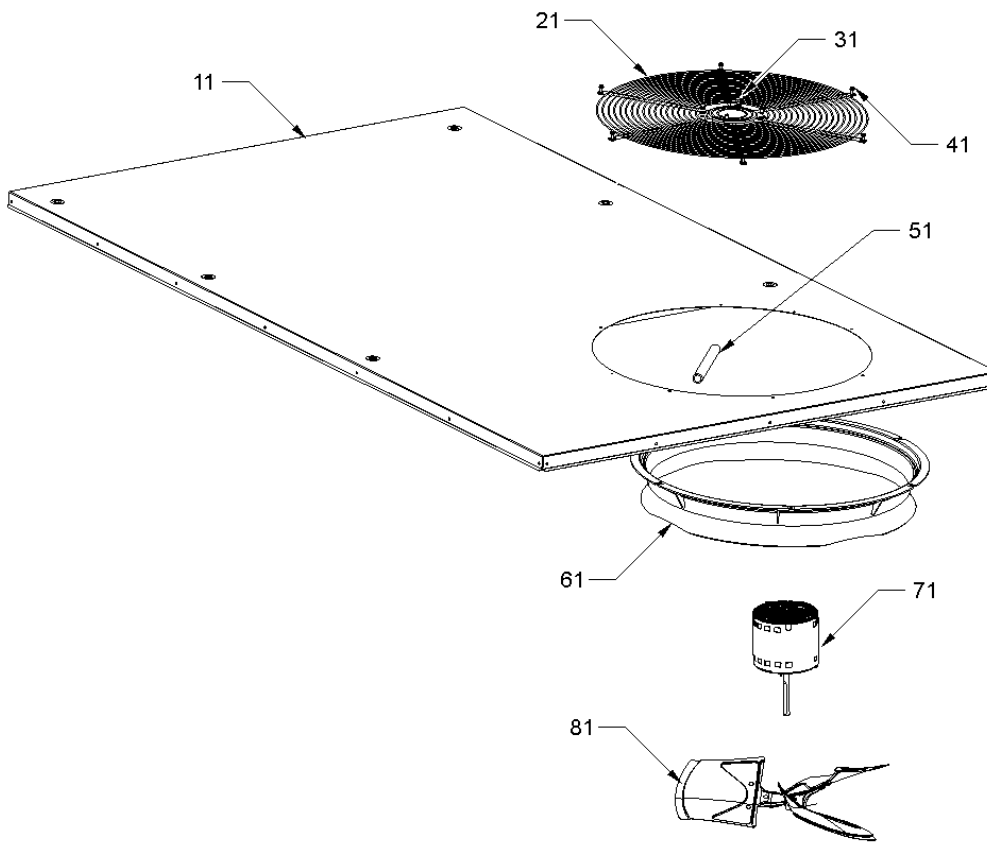
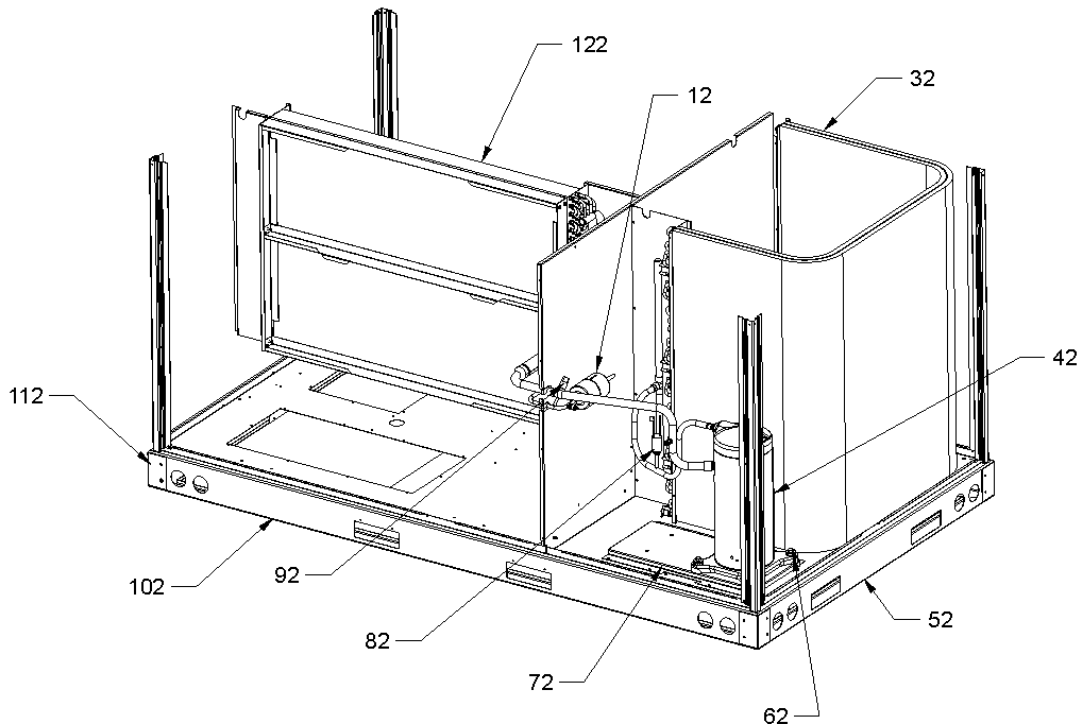


Image 2



# Top Panel/Tubing Assy

Ref. Part No: No:	Description:	Ref. Part No: No:	Description:
-------------------	--------------	-------------------	--------------

**Image 1:**

11	0274L00001	INSULATED ASSY, TOP PANEL
21	0152G00002	FAN GRILLE
31	0163M00006P	ACORN NUT 5/16 HEX BLACK (QTY 4)
41	0163M00004	SCREW #10X3/4", BLACK (QTY 4)
51	17788000083F	PVC CONDUIT 8.25"
61	0161L00000	VENTURI RING 22"
71	0131M00429	COND MOTOR 1/4 HP, 1 SP,6 PL
81	0150G00001	FAN BLADE
NS	0259L00000	COND MOTOR HARNESS

**Image 2:**

12	0162R00009	FILTER DRIER (M6, M7, M8)
12	B1219225	SINGLE-FLOW FILTER DRIER, STEEL (M1, M2, M3, M4, M5)
32	0201L00000	TUBING ASSY, COND COIL (M7)
32	0201L00008	TUBING ASSY, COND COIL (M2, M5)
32	0201L00019	TUBING ASSY, COND COIL (M1, M3, M4)
32	0201L00023	TUBING ASSY, COND COIL (M6, M8)
42	ZP31K5EPFV130	COMPRESSOR 31100, 208/230/60/1 (M1, M2)
42	ZP31K5ETF5130	COMPRESSOR 31200, 200/230/60/3 (M3)
42	ZP39K5EPFV130	COMPRESSOR 39000, 208/230/60/1 (M4, M5)
42	ZP51K5EPFV130	COMPRESSOR 51000, 208/230/60/1 (M6, M7)
42	ZP51K5ETF5130	COMPRESSOR 51000, 208/230/60/3 (M8)
52	0121G00262	BASE PAN RAIL-SHORT (QTY 4)
62	M0221641	TF SHOULDER SCREW (QTY 4)
72	0121L00004	COMPRESSOR MOUNTING PLATE
82	0130M00030	CUT-OUT SWITCH, HIGH PRESSURE
92	0130L00002	CUT-OUT SWITCH, LOW PRESSURE
102	0121G00261	BASE PAN RAIL-LONG (QTY 4)
112	0121G00301	RAIL CORNER BRACKET (QTY 4)
122	0202L00000	TUBING ASSY, EVAP COIL (M6, M7, M8)
122	0202L00009	TUBING ASSY, EVAP COIL (M1, M2, M3)
122	0202L00014	TUBING ASSY, EVAP COIL (M4, M5)
NS	B1339533	COMPRESSOR GROMMET (QTY 4)
NS	0159L00000	COMPRESSOR SCROLL HARNESS (M1, M2, M4, M5, M6, M7)
NS	0159L00009	COMPRESSOR SCROLL HARNESS (M3, M8)
NS	0162M00074	FLOWRATOR .082 [EVAP] (M6, M7, M8)
NS	0162M00073	FLOWRATOR [COND] (M6, M7, M8)
NS	0162M00079	FLOWRATOR [COND] (M1, M2, M3, M4, M5)
NS	0162L00003	FLOWRATOR [EVAP] (M4, M5)
NS	0162M00078	FLOWRATOR [EVAP] (M1, M2, M3)

**Expanded Model Nomenclature**

M1 - CPC036XXX1DXJXAA
M2 - CPC036XXX1DXXXAA
M3 - CPC036XXX3DXJXAA
M4 - CPC048XXX1DXJXAA
M5 - CPC048XXX1DXXXAA
M6 - CPC060XXX1DXJXAA
M7 - CPC060XXX1DXXXAA
M8 - CPC060XXX3DXJXAA

# Cabinet Assy

Image 1

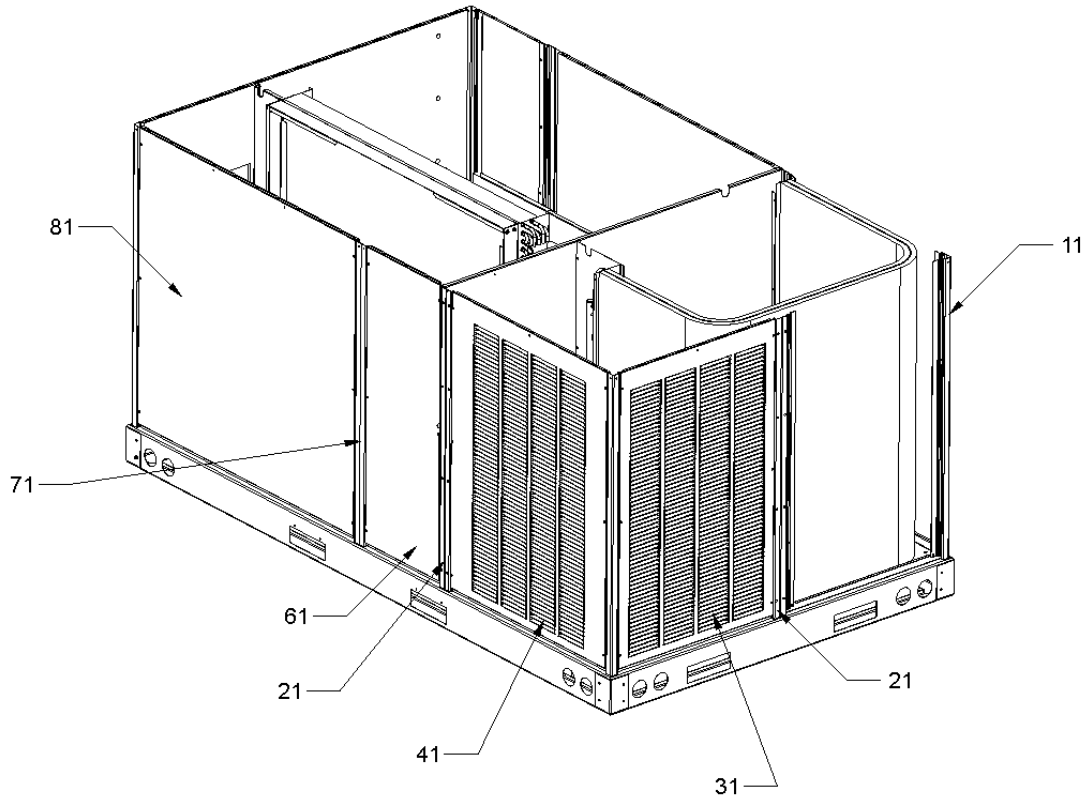
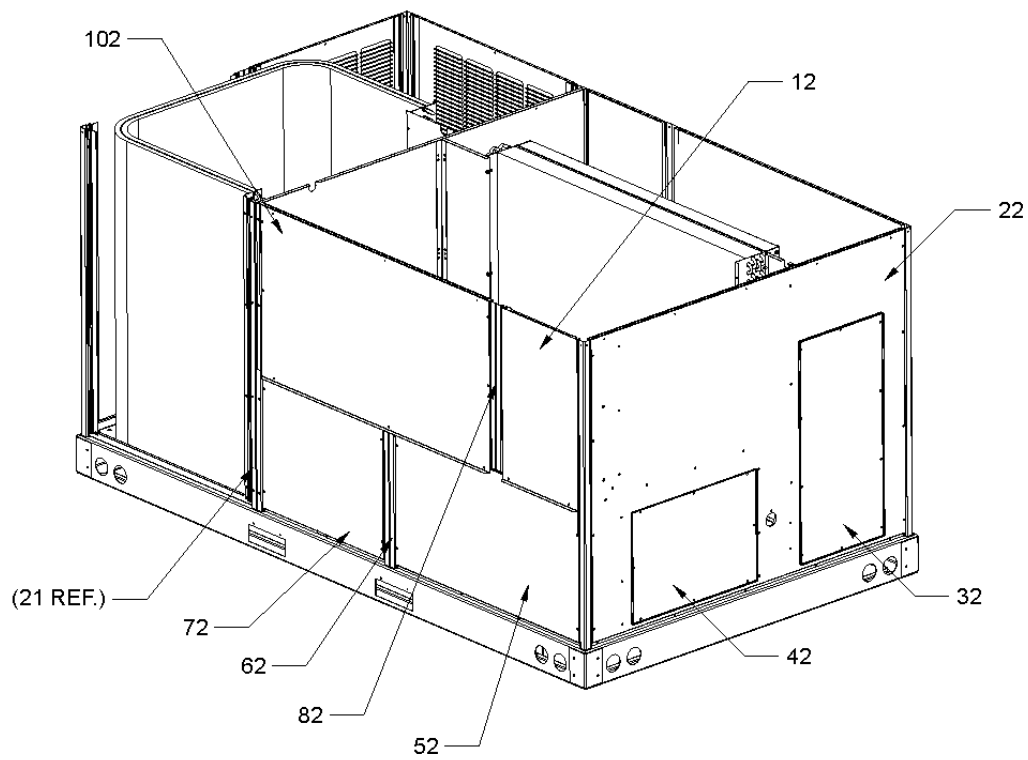


Image 2



# Cabinet Assy

Ref. Part No: No:	Description:	Ref. Part No: No:	Description:
-------------------	--------------	-------------------	--------------

---

**Image 1:**

11	0121G00253RFDG	CORNER POST 36" (QTY 4)
21	0121G00283DG	POST-SIDE SUPPORT (QTY 3)
31	0270L00011	INSULATED ASSY, RETURN DUCT
31	0121L00128DG	LOUVERED END PANEL
41	0270L00012	INSULATED ASSY, SUPPLY DUCT
41	0121L00001DG	LOUVERED SIDE PANEL
51	0270L00018	INSULATED ASSY, HEAT EXCHANGER DOOR
61	0270L00004	INSULATED ASSY, FILTER DOOR
61	0121G00299RFDG	POST-BURNER DOOR
71	0121L00017DG	BURNER DOOR
71	0121L00125RFDG	SIDE POST-FILTER DOOR
81	0121G00298RFDG	CONTROL POST
81	0270L00003	INSULATED ASSY, ECONOMIZER DOOR
81	0160L00003	INSUL-ECONOMISER DOOR
101	0270L00002	INSULATED ASSY, BLOWER DOOR

**Expanded Model Nomenclature**

- M1 - CPC036XXX1DXJXAA
- M2 - CPC036XXX1DXXXAA
- M3 - CPC036XXX3DXJXAA
- M4 - CPC048XXX1DXJXAA
- M5 - CPC048XXX1DXXXAA
- M6 - CPC060XXX1DXJXAA
- M7 - CPC060XXX1DXXXAA
- M8 - CPC060XXX3DXJXAA

# Partition Assy

Image 1

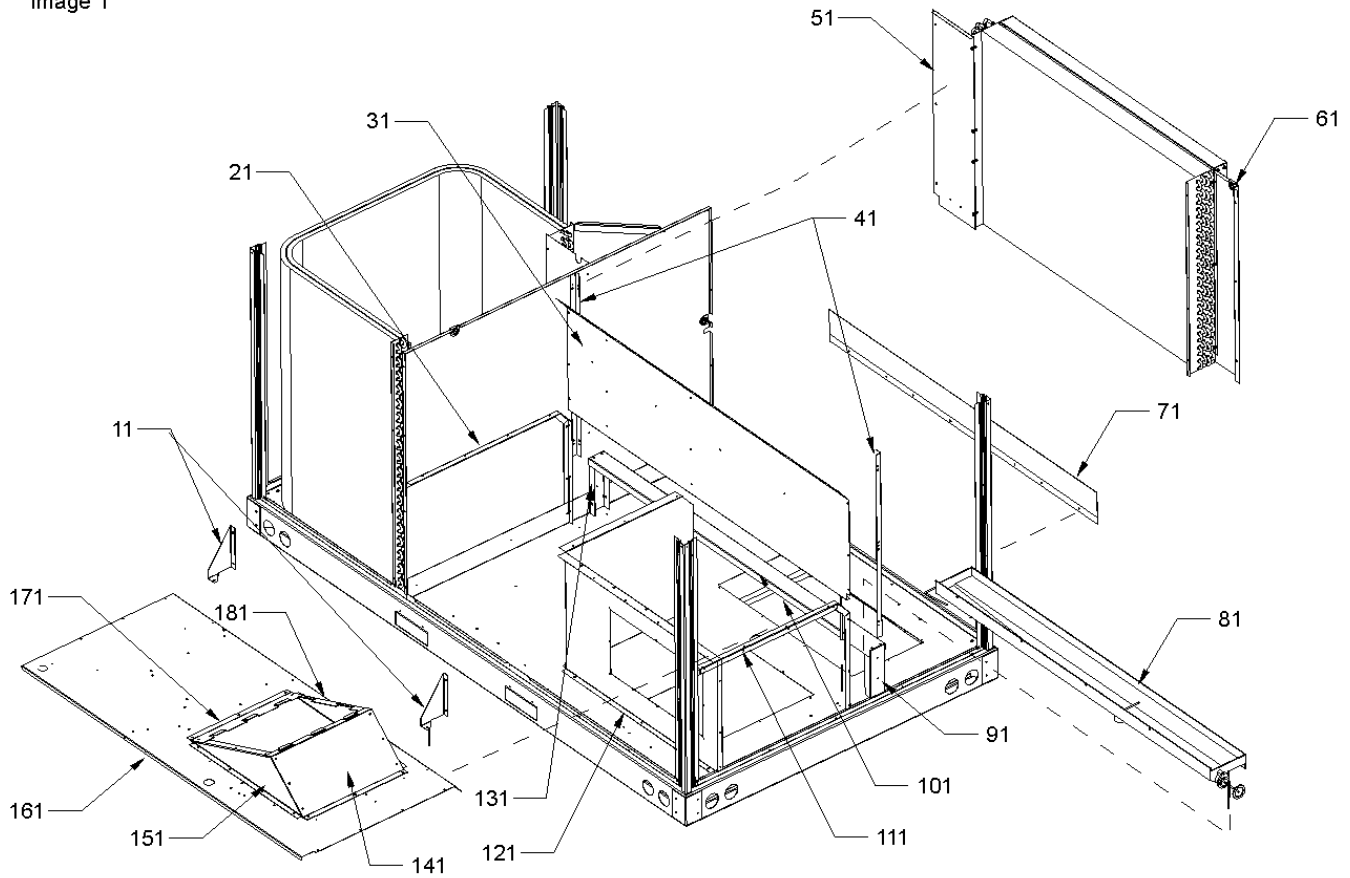
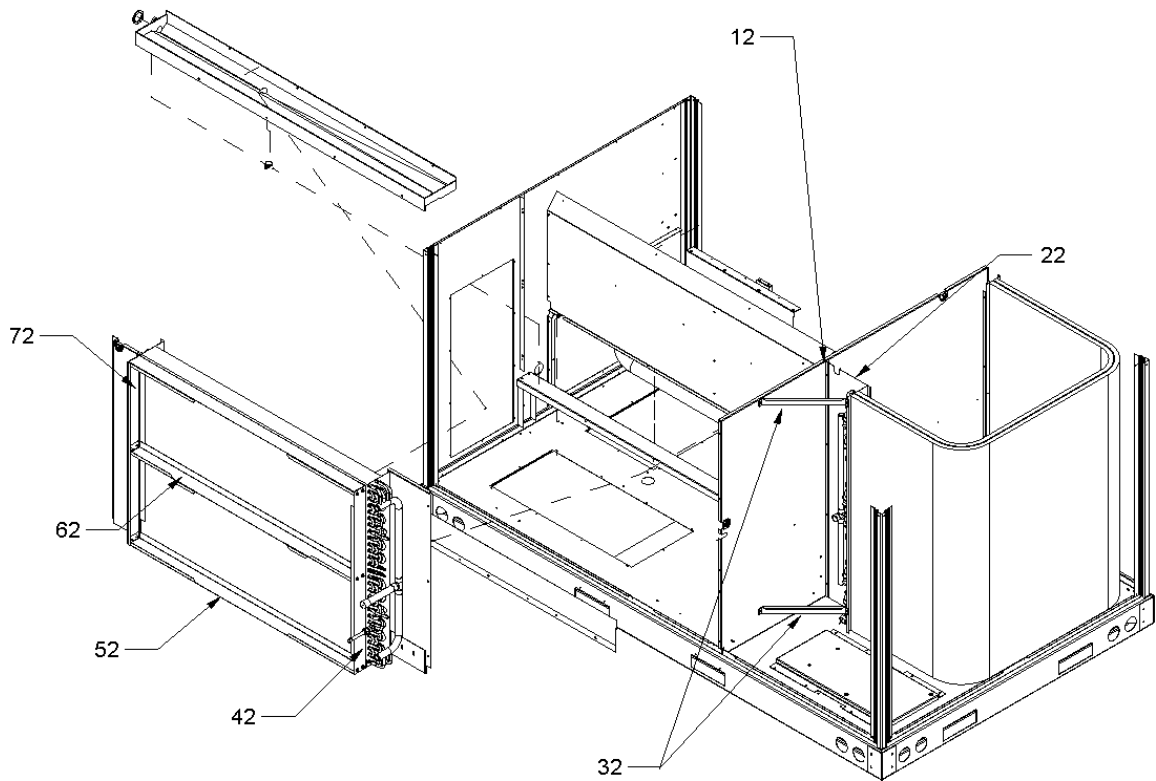


Image 2



# Partition Assy

Ref. Part No: No:	Description:	Ref. Part No: No:	Description:
-------------------	--------------	-------------------	--------------

**Image 1:**

11	0121L00062	EVAP COIL BRACE (QTY 2)
21	0121L00006	MOUNTING ANGLE-DECK, COND END
31	0121L00003	DECK SIDE CHANNEL
41	0121L00005	EVAP MOUNTING ANGLE
61	0121L00212	EVAP EXTENSION-RETURN SIDE (M1, M2, M3, M4, M5)
61	0121L00212	EVAP EXTENSION-RETURN SIDE (M6, M7, M8)
71	0121L00016	EVAP BLOW-OFF SHIELD
81	0161L00001	DRAIN PAN
91	0121L00037	SUPPORT LEG, DRAIN PAN
101	0121L00035	DRAIN PAN SUPPORT
111	0121L00007	MOUNTING ANGLE-DECK, DUCT END
121	0121L00160	ELECTRIC HEAT PANEL (M4, M5, M6, M7, M8)
121	0121L00179	ELECTRIC HEAT PANEL (M1, M2, M3)
131	0121L00036	SUPPORT LEG, DRAIN PAN
141	0121G00264	BLOWER TRANSITION, RH END
151	0121G00265	BLOWER TRANSITION, FRONT
161	0121L00217	BLOWER DECK
171	0121G00267	BLOWER TRANSITION, LH END (M6, M7, M8)
171	0121L00151	BLOWER TRANSITION, LH END (M1, M2, M3, M4, M5)
181	0121G00266	BLOWER TRANSITION, BACK

**Image 2:**

12	0121L00008	COND MOUNTING ANGLE
22	0121G00258	COND BLOCK-OFF
32	0121L00064	COND COIL BRACE (QTY 2)
42	0121L00204	FILTER ANGLE-VERTICAL (RETURN SIDE)
52	0121L00206	FILTER ANGLE-HORIZONTAL (QTY 2)
62	0121L00220	FILTER RACK STRAP (QTY 2)
NS	0160L00133	FILTER-14X20X2 (QTY 4)

**Expanded Model Nomenclature**

M1 - CPC036XXX1DXJXAA
M2 - CPC036XXX1DXXXAA
M3 - CPC036XXX3DXJXAA
M4 - CPC048XXX1DXJXAA
M5 - CPC048XXX1DXXXAA
M6 - CPC060XXX1DXJXAA
M7 - CPC060XXX1DXXXAA
M8 - CPC060XXX3DXJXAA

# Blower Assy

Image 1

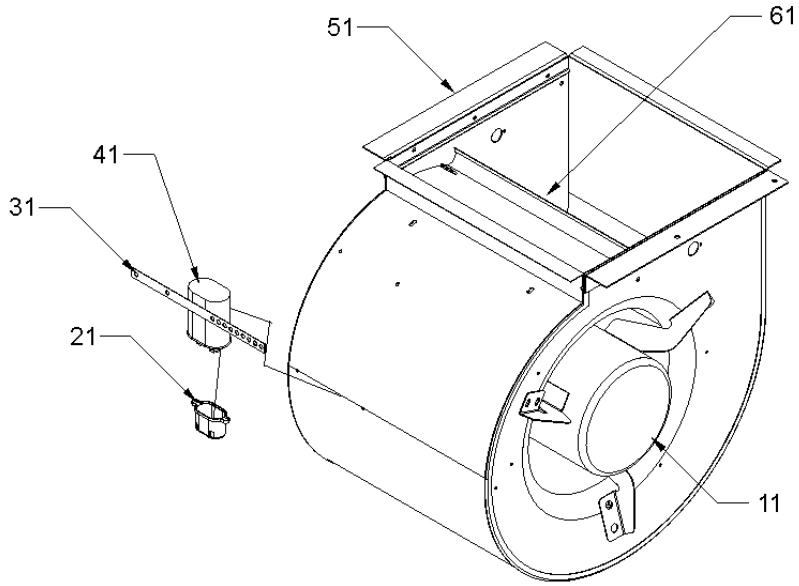
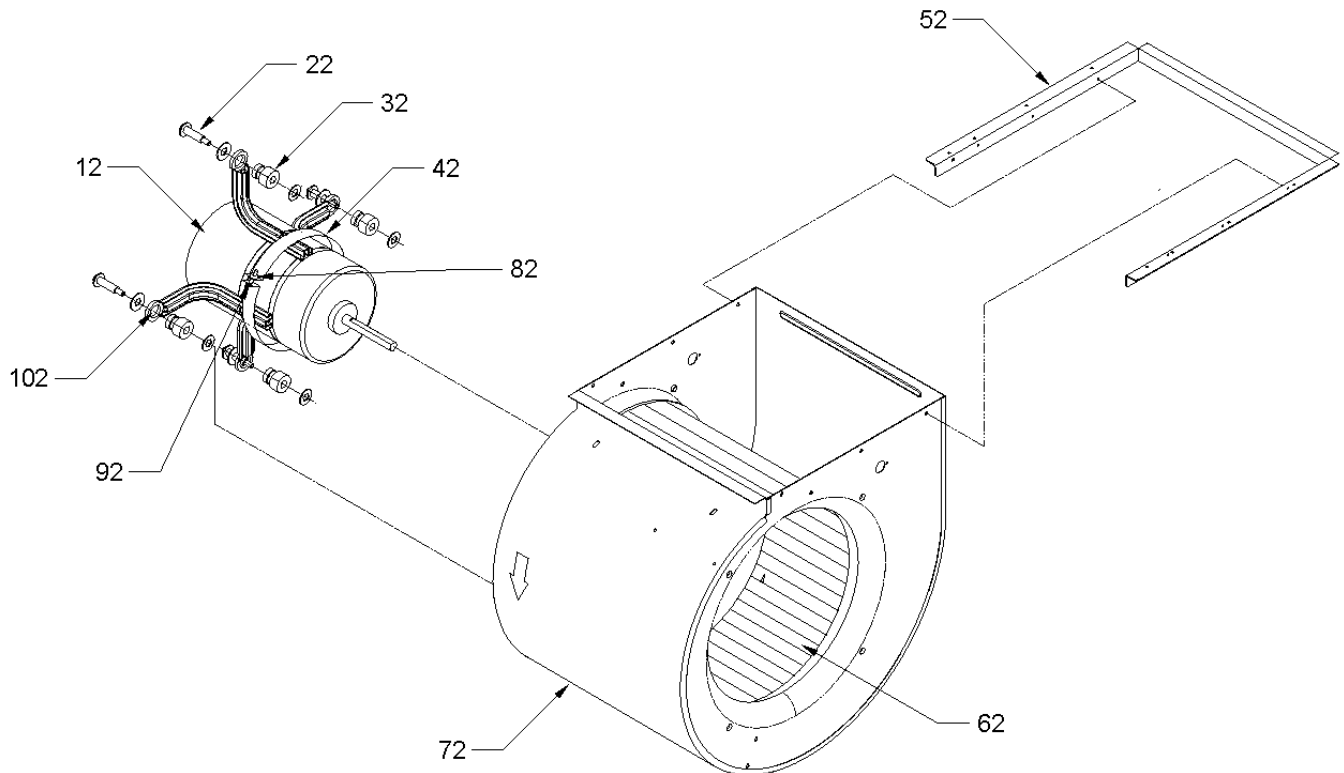


Image 2



# Blower Assy

Ref. Part No: No:	Description:	Ref. Part No: No:	Description:
-------------------	--------------	-------------------	--------------

**Image 1:**

11	0131M00091	BLOWER MOTOR 230V (M4, M5)
11	0131M00094	BLOWER MOTOR 230V (M1, M2, M3)
21	B821700	CAPACITOR BOOT (M1, M2, M3, M4, M5)
31	20520901	CAPACITOR STRAP (M1, M2, M3, M4, M5)
31	20520901	CAPACITOR STRAP
41	CAP100000370LA	CAPACITOR 10/370V (M1, M2, M3)
41	CAP150000370LA	CAPACITOR 15/370V (M4, M5)
51	0121L00308	BLOWER MOUNTING ANGLE (M1, M2, M3, M4, M5)
61	C6121806	BLOWER CUT-OFF (M1, M2, M3, M4, M5)
61	0150M00014	BLOWER WHEEL (M1, M2, M3, M4, M5)
NS	M0250558	TC SCREW (M1, M2, M3, M4, M5)

**Image 2:**

12	0131L00000	BLOWER MOTOR 1 HP PROGRAMMED X13 (M6, M7, M8)
22	M0221461	TC SCREW (M6, M7, M8)
32	A4002702	BLOWER MOTOR GROMMET (M6, M7, M8)
42	10441601	MOTOR MOUNT BAND (M6, M7, M8)
52	0121L00022	BLOWER MOUNTING ANGLE (M6, M7, M8)
62	0150L00000	BLOWER WHEEL (M6, M7, M8)
82	M0282015	KEPS NUT (M6, M7, M8)
92	M0267144	SCREW-MACH (M6, M7, M8)
102	10441501	MOTOR MOUNT ARM (M6, M7, M8)

**Expanded Model Nomenclature**

M1 - CPC036XXX1DXJXAA
M2 - CPC036XXX1DXXXAA
M3 - CPC036XXX3DXJXAA
M4 - CPC048XXX1DXJXAA
M5 - CPC048XXX1DXXXAA
M6 - CPC060XXX1DXJXAA
M7 - CPC060XXX1DXXXAA
M8 - CPC060XXX3DXJXAA



# Control Box Assy

Ref. Part No: No:	Description:	Ref. Part No: No:	Description:
-------------------	--------------	-------------------	--------------

**Image 1:**

11	20520901	CAPACITOR STRAP (M1, M2, M3, M4, M5)
21	CAP050000370LA	CAPACITOR 5/370V (M3, M8)
21	CAP050450440CT	CAPACITOR 5/45/440V/DUAL RD (M1, M2, M4, M5)
21	CAP050700440CT	CAPACITOR 5/70/440V/DUAL RD (M6, M7)
31	0130M00025	24V RELAY (M1, M2, M3, M4, M5)
41	0130M00042	POWER BLOCK (M3, M8)
41	16220-2	POWER BLOCK (M1, M2, M4, M5, M6, M7)
51	PCBFM103	ELECTRONIC BLOWER TIME DELAY (M1, M2, M3, M4, M5)
61	0130M00038	TERMINAL BOARD
71	0130M00138	TRANSFORMER 208/230, 24V
81	CONT3P025024V	CONTACTOR 25 AMP, 3P, 24V (M3)
81	CONT1P030024V	CONTACTOR 30 AMP, 1P, 24V (M1, M2, M4, M5)
81	CONT3P030024V	CONTACTOR 30 AMP, 3P, 24V (M8)
81	CONT2P040024V	CONTACTOR 40 AMP, 2P, 24V (M6, M7)
NS	0259L00001	CONTROL HARNESS 230V (M6, M7, M8)
NS	0259L00034	CONTROL HARNESS 230V (M1, M2, M3, M4, M5)
NS	0259L00005	ECONOMIZER HARNESS
NS	0259L00036	EVAP MOTOR HARNESS, PSC (M1, M2, M3, M4, M5)
NS	0259L00003	POWER HARNESS (M3, M8)
NS	0259L00012	POWER HARNESS-SINGLE PHASE (M1, M2, M4, M5, M6, M7)
NS	0259L00004	WIRE HARNESS, ELECTRIC HEAT (M6, M7, M8)
NS	0259L00035	WIRE HARNESS, ELECTRIC HEAT (M1, M2, M3, M4, M5)
NS	0130M00022	X-13 POWER HARNESS (M6, M7, M8)

**Expanded Model Nomenclature**

M1 - CPC036XXX1DXJXAA
M2 - CPC036XXX1DXXXAA
M3 - CPC036XXX3DXJXAA
M4 - CPC048XXX1DXJXAA
M5 - CPC048XXX1DXXXAA
M6 - CPC060XXX1DXJXAA
M7 - CPC060XXX1DXXXAA
M8 - CPC060XXX3DXJXAA