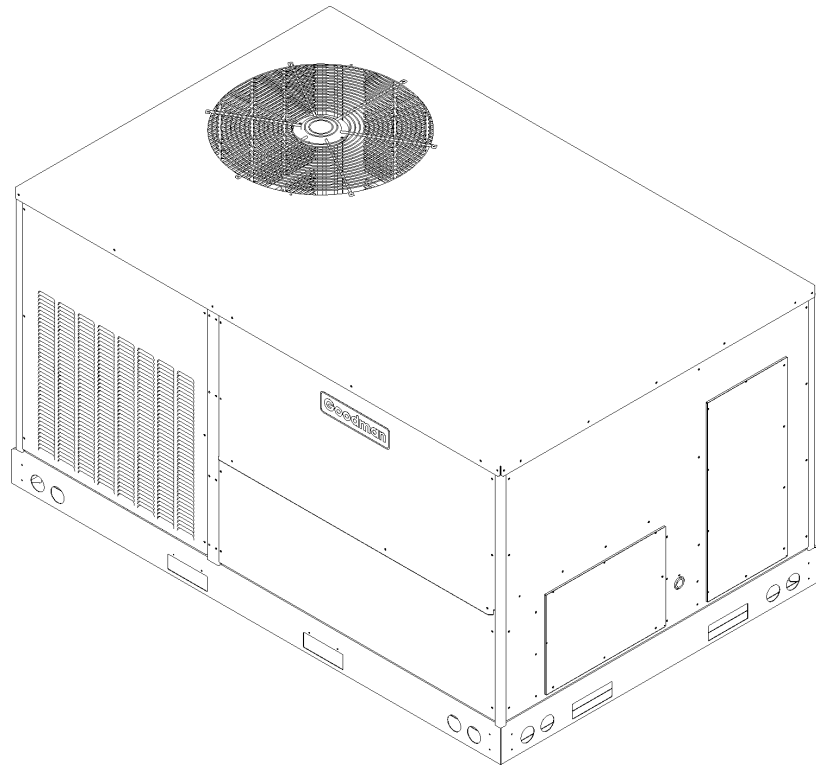


REPAIR PARTS Light Commercial 3 Ton 575V Belt Drive Packaged Coolers

CPC036XXX7BXJXBA
CPC036XXX7BXXXBA



This manual is to be used by qualified technicians only.

© 2009 Goodman Manufacturing Company, L.P. ♦ 5151 San Felipe, Suite 500 ♦ Houston, TX 77056

Important Information

Index

Functional Parts List	3
Illustration and Parts	4 - 13

Views shown are for parts illustrations only, not servicing procedures.

Text Codes:

AR - As Required

NA - Not Available

NS - Not Shown

00000000 - See Note

QTY - Quantity Example (QTY 3) (If Quantity not shown, Quantity = 1)

M - Model Example (M1) (If M Code not shown, then part is used on all Models)

Expanded Model Nomenclature:

Example M1 - Model#1 M2 - Model#2 M3 - Model#3

Goodman Manufacturing Company, L.P. is not responsible for personal injury or property damage resulting from improper service. Review all service information before beginning repairs.

Warranty service must be performed by an authorized technician, using authorized factory parts. If service is required after the warranty expires, Goodman Manufacturing Company, L.P. also recommends contacting an authorized technician and using authorized factory parts.

Goodman Manufacturing Company, L.P. reserves the right to discontinue, or change at any time, specifications or designs without notice or without incurring obligations.

For assistance within the U.S.A. contact:
Consumer Affairs Department
Goodman Manufacturing Company, L.P.
7401 Security Way
Houston, Texas 77040
877-254-4729-Telephone
713-863-2382-Facsimile

For assistance outside the U.S.A. contact:
International Division
Goodman Manufacturing Company, L.P.
7401 Security Way
Houston, Texas 77040
713-861-2500-Telephone
713-863-2382-Facsimile

Functional Parts

Part

No: Description:

0131L00004S	BELT DRIVE MOTOR 1.5 HP 575V
PCBFM103S	BOARD, ELECTRONIC BLOWER TIME DELAY RELAY
ZP31K5ETFE830	COMPRESSOR 31100, 575/60/3
CONT3P025024VS	CONTACTOR 25 AMP, 3P, 24V (QTY 2)
0130M00055	CUT-OUT SWITCH, HIGH PRESSURE
0130L00007	CUT-OUT SWITCH, LOW PRESSURE
0130M00038S	TERMINAL BOARD
0130M00045S	TRANSFORMER 575/24V

SPECIAL PARTS

0140L00058	GOODMAN LABEL
IO-354	INSTALLATION INSTRUCTIONS
RP-501	REPAIR PARTS MANUAL
B1757910	SUPPLEMENTAL INSERT (EBTDR)

Expanded Model Nomenclature

M1 - CPC036XXX7BXJXBA

M2 - CPC036XXX7BXXXBA

Top Panel/Tubing Assy

Image 1

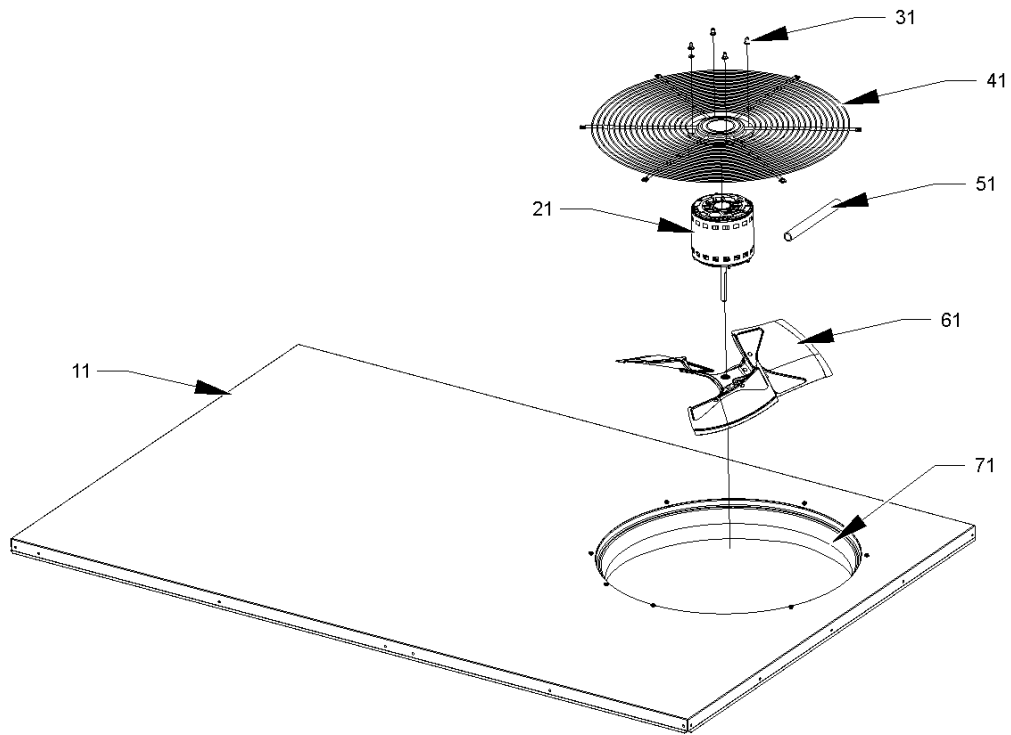
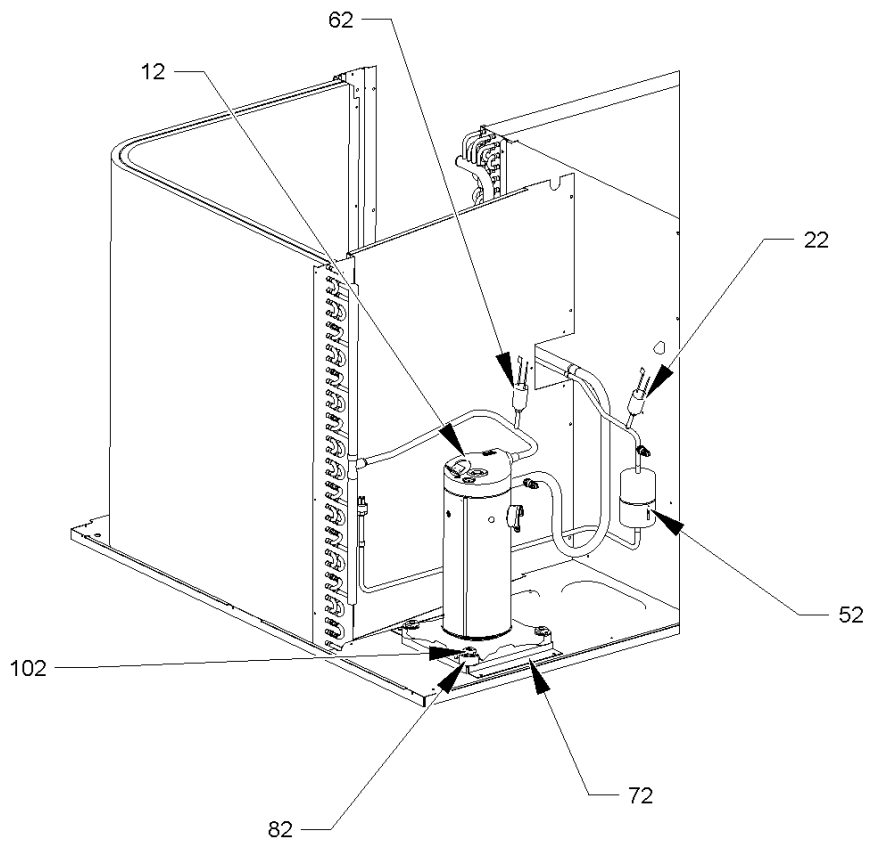


Image 2



Top Panel/Tubing Assy

Ref. Part No: No:	Description:	Ref. Part No: No:	Description:
-------------------	--------------	-------------------	--------------

Image 1:

11	0270L00086S	INSULATED ASSY, TOP PANEL
21	0131M00098S	COND MOTOR 575V
31	0163M00006P	ACORN NUT 5/16 HEX BLACK (QTY 4)
41	0152G00002S	FAN GRILLE
51	B1778800	PVC CONDUIT-1/2"
61	0150G00001S	FAN BLADE
71	0161L00000	VENTURI RING 22"

Image 2:

12	ZP31K5ETFE830	COMPRESSOR 31100, 575/60/3
22	0130L00007	CUT-OUT SWITCH, LOW PRESSURE
52	B1219204	BI-FLOW FILTER DRIER, STEEL
62	0130M00055	CUT-OUT SWITCH, HIGH PRESSURE
72	0121L00310	COMPRESSOR MOUNTING PLATE
82	B1339533	COMPRESSOR GROMMET (QTY 4)
102	M0221641	TF SHOULDER SCREW (QTY 4)
NS	0159L00028	COMPRESSOR SCROLL HARNESS

Expanded Model Nomenclature

M1 - CPC036XXX7BXJXBA

M2 - CPC036XXX7BXXXBA

Cabinet Assy

Image 1

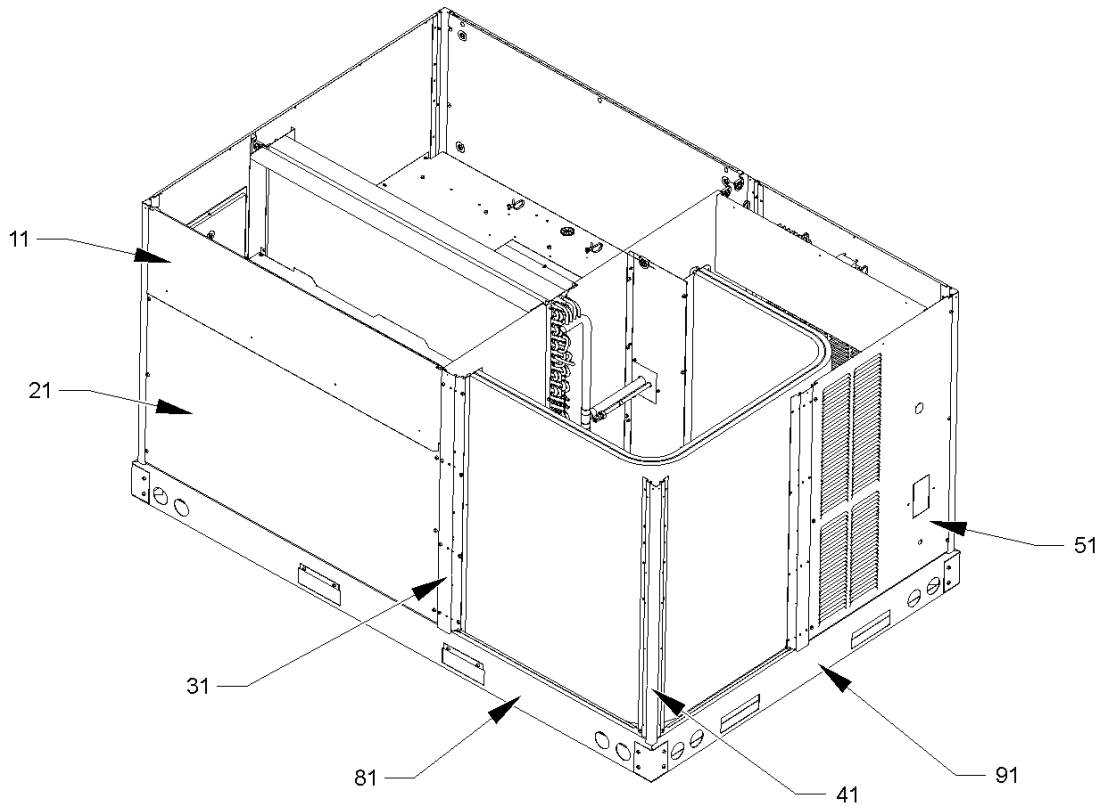
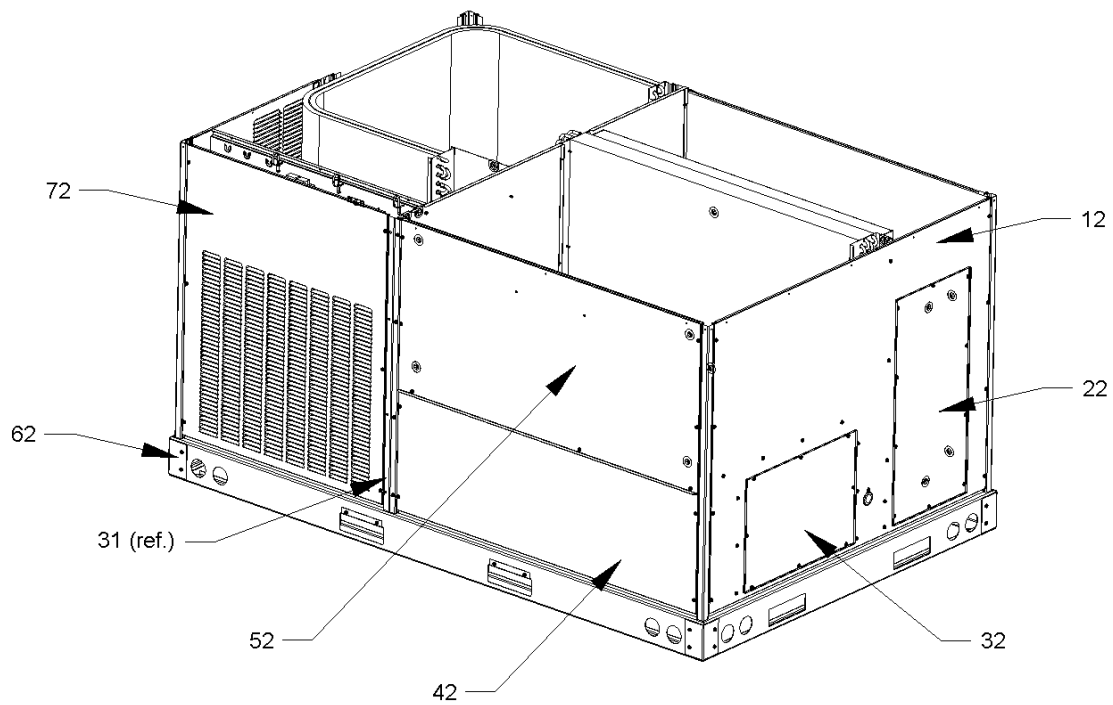


Image 2



Cabinet Assy

Ref. Part No:	No:	Description:	Ref. Part No:	No:	Description:
---------------	-----	--------------	---------------	-----	--------------

Image 1:

11	0270L00080	INSULATED ASSY, FILTER DOOR
21	0270L00081	INSULATED ASSY, ECONOMIZER DOOR
31	0121L00233RFDG	POST-SIDE SUPPORT (QTY 3)
41	0121L00237RFDG	CORNER POST (QTY 4)
51	0121L00263DG	LOUVERED COMPRESSOR PANEL
81	0121L00244	SIDE RAIL (QTY 2)
91	0121L00245	END RAIL (QTY 2)

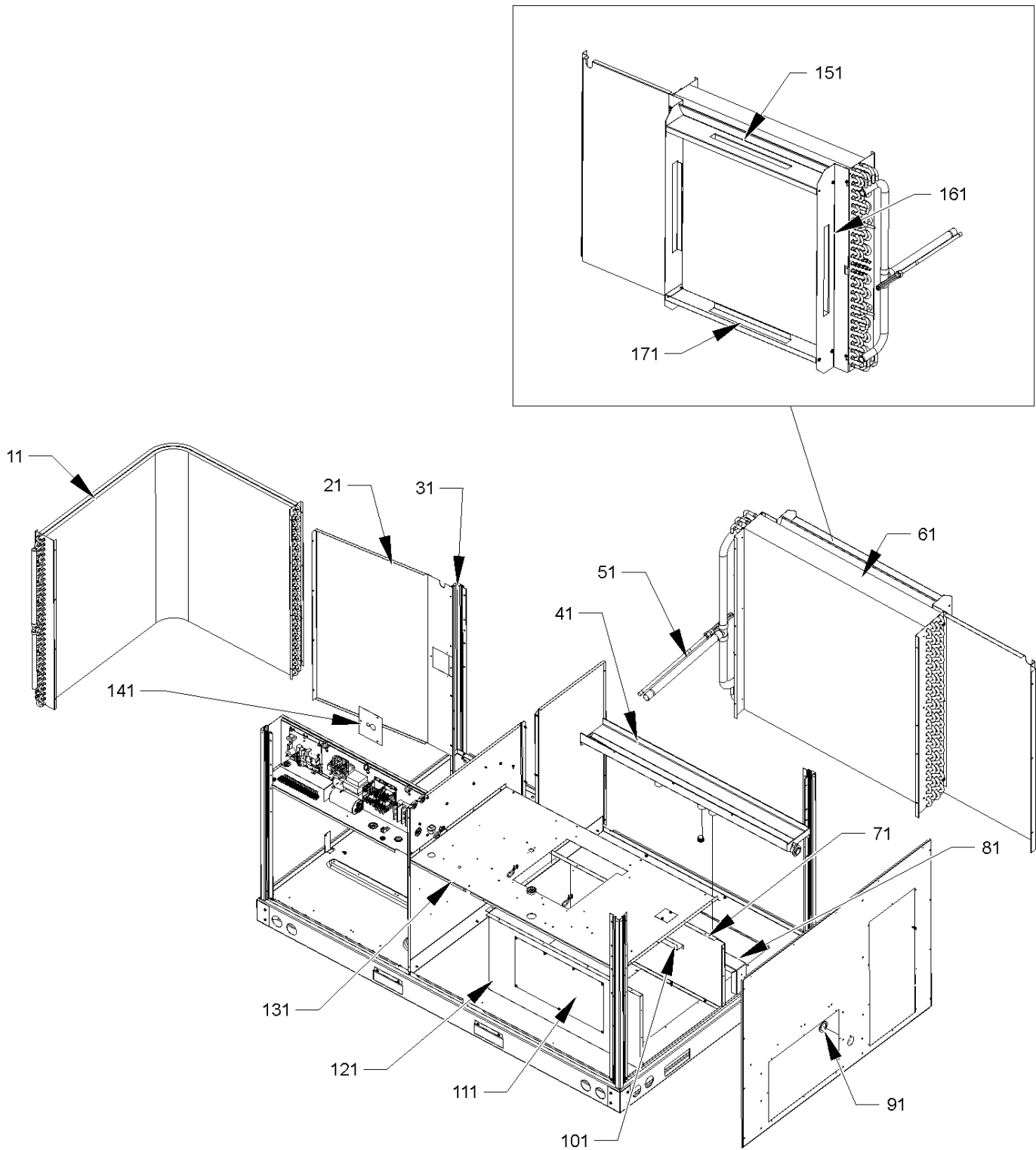
Image 2:

12	0270L00079	INSULATED ASSY, DUCT PANEL
22	0270L00011S	INSULATED ASSY, RETURN DUCT
32	0270L00012S	INSULATED ASSY, SUPPLY DUCT
42	0121L00279DG	ELECTRIC HEAT DOOR
52	0270L00084	INSULATED ASSY, BLOWER DOOR
62	0121G00301	RAIL CORNER BRACKET (QTY 4)
72	0121L00262DG	LOUVERED CONTROL PANEL

Expanded Model Nomenclature

- | |
|-----------------------|
| M1 - CPC036XXX7BXJXBA |
| M2 - CPC036XXX7BXXXBA |

Partition Assy



Partition Assy

Ref. Part No:	No:	Description:	Ref. Part No:	No:	Description:
---------------	-----	--------------	---------------	-----	--------------

Image 1:

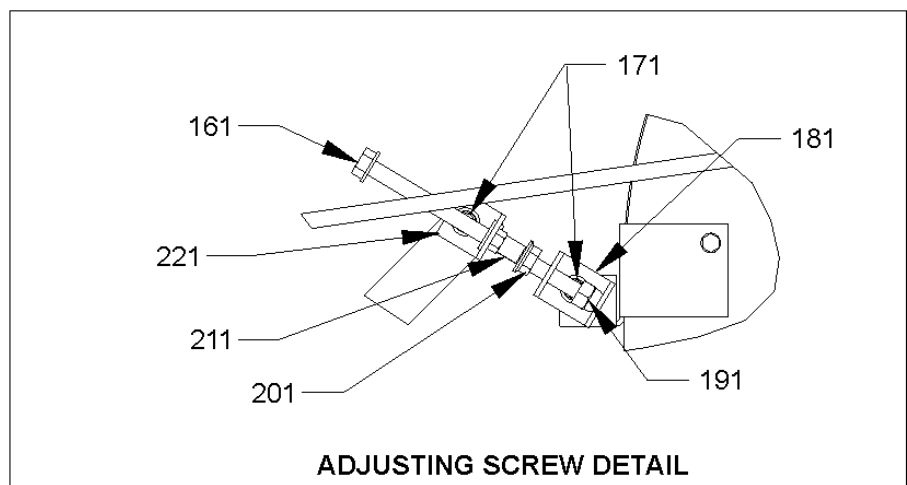
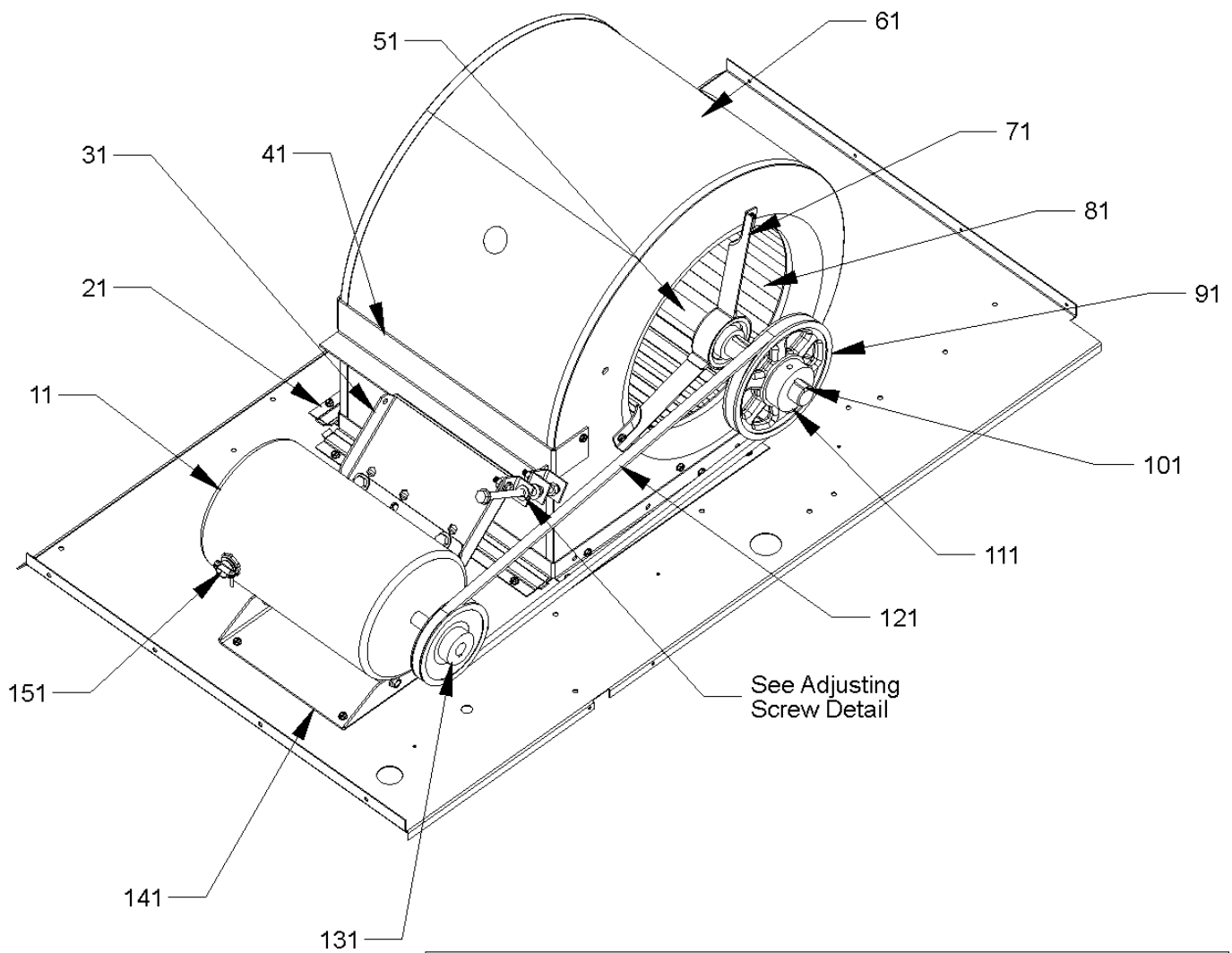
11	0201L00048S	TUBING ASSY, COND COIL 575V (M2)
11	0201L00051S	TUBING ASSY, COND COIL 575V (M1)
21	0121L00319	COND BLOCK-OFF
31	0121L00254	COND MOUNTING ANGLE
41	0161L00005	DRAIN PAN-EVAPORATOR
51	0162M00078S	FLOWRATOR [EVAP]
61	0202L00024S	TUBING ASSY, EVAP COIL
71	0121L00243	DECK SIDE CHANNEL
81	0121L00238	DRAIN PAN SUPPORT
91	0154L00009	DRAIN PAN GASKET
101	0121L00288	ELECTRIC HEAT RETAINER
111	0121L00144	ELECTRIC HEAT COVER
121	0121L00256	ELECTRIC HEAT PANEL
131	0121L00242	BLOWER DECK
141	0121L00324	COND BLOCK-OFF PLATE
151	0121L00290	FILTER ANGLE-TOP
161	0121L00292	FILTER ANGLE-VERTICAL (QTY 2)
171	0121L00291	FILTER ANGLE-BOTTOM
NS	0160L00046	FILTER-24 X 24
NS	0162M00114	FLOWRATOR .053

Expanded Model Nomenclature

M1 - CPC036XXX7BXJXBA

M2 - CPC036XXX7BXXXBA

Belt Drive Assy



Belt Drive Assy

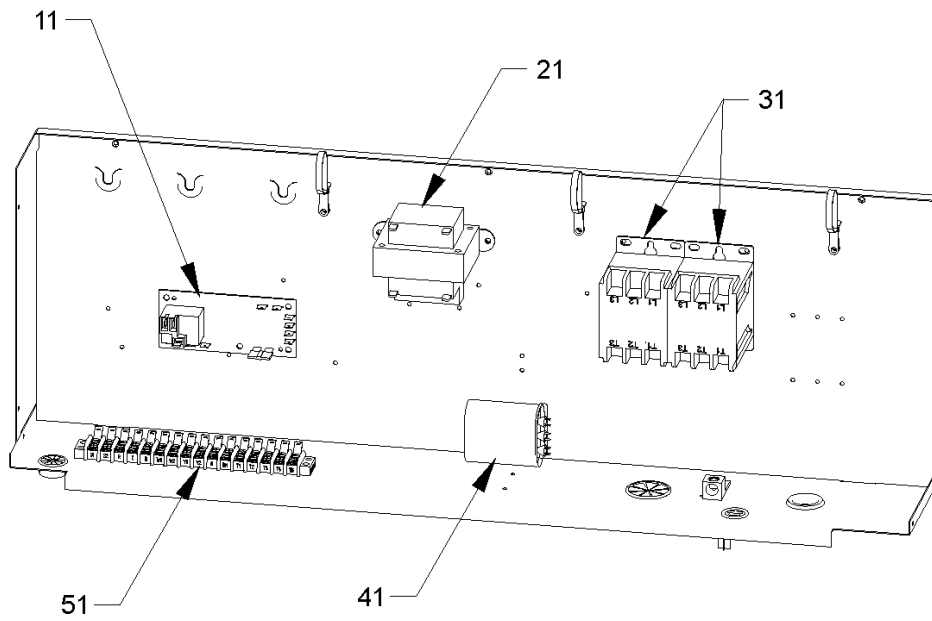
Ref. Part No:	No:	Description:	Ref. Part No:	No:	Description:
<i>Image 1:</i>					
11	0131L00004S	BELT DRIVE MOTOR 1.5 HP 575V			
21	0121L00297	BLOWER SIDE ANGLE (QTY 3)			
31	0121L00271	MOTOR MOUNT PLATE			
41	0121L00272	MOTOR MOUNT ANGLE			
51	0163L00005	BELT DRIVE BLOWER SHAFT			
61	2539302FS	BLOWER HOUSING 11 X 10			
71	B3201300	MOUNTING BRACKET BEARING (QTY 2)			
81	B1368056	BELT DRIVE BLOWER WHEEL			
91	B2120011	FIXED SHEAVE			
101	B1398604	STEEL KEY (000158812) 2.0"			
111	B1399500	BALL BEARING 1.00" (QTY 2)			
121	0164L00003	FAN BELT, NOTCHED			
131	0163L00024	VARIABLE PITCH SHEAVE 1VL40 X 5/8"			
141	0121L00273	MOTOR PIVOT ANGLE			
151	B1393726	ELECT. CONNECTING BUSHING			
161	0163M00054	BOLT			
171	B1393738	BOLT 1/4-20 X 3/4" (QTY 4)			
181	0121L00274	MOTOR ADJUST BRACKET			
191	0163M00055	ACORN NUT 5/16 X 18			
201	B1393020	FLANGED LOCKNUT 5/16-18TPI			
211	B1393027	HEX NUT INSERT 5/16-18 (QTY 5)			
221	0121L00275	MOUNTING BRACKET INSERT			
NS	1864700F	BELT DRIVE BLOWER CUT-OFF			
NS	B1398603	STEEL KEY (000158812) 4.5"			

Expanded Model Nomenclature

M1 - CPC036XXX7BXJXBA

M2 - CPC036XXX7BXXXBA

Control Box Assy



Control Box Assy

**Ref. Part
No: No:**

Description:

**Ref. Part
No: No:**

Description:

Image 1:

11	PCBFM103S	BOARD, ELECTRONIC BLOWER TIME DELAY RELAY
21	CONT3P025024VS	CONTACTOR 25 AMP, 3P, 24V (QTY 2)
31	0130M00045S	TRANSFORMER 575/24V
41	CAP050000370VAS	CAPACITOR 5/370V
51	0130M00038S	TERMINAL BOARD
NS	20520901	CAPACITOR STRAP
NS	0259L00054	WIRING HARNESS
NS	0259L00057	WIRING HARNESS
NS	0259L00061	WIRING HARNESS
NS	0259L00064	WIRING HARNESS
NS	0259L00065	WIRING HARNESS

Expanded Model Nomenclature

M1 - CPC036XXX7BXJXBA

M2 - CPC036XXX7BXXXBA

