

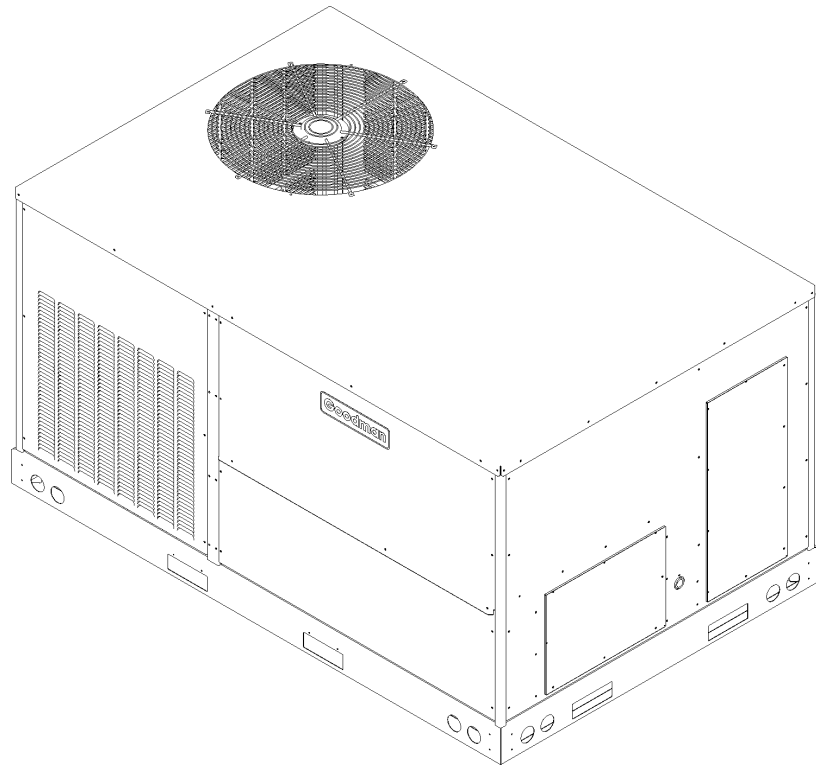
# REPAIR PARTS

---

## CPC Commercial 3 - 6 Ton Package Cooling Units

CPC036XXX4BXXBBA

CPC048XXX4BXXBBA



This manual is to be used by qualified technicians only.

© 2012-2013 Goodman Manufacturing Company, L.P. ♦ 5151 San Felipe, Suite 500 ♦ Houston, TX 77056

# Important Information

---

## Index

Functional Parts List .....	3
Illustration and Parts .....	4 - 15

*Views shown are for parts illustrations only, not servicing procedures.*

Addition of models with various FIOP's

### Text Codes:

AR - As Required

NA - Not Available

NS - Not Shown

00000000 - See Note

QTY - Quantity Example (QTY 3) (If Quantity not shown, Quantity = 1)

M - Model Example (M1) (If M Code not shown, then part is used on all Models)

### Expanded Model Nomenclature:

Example M1 - Model#1 M2 - Model#2 M3 - Model#3
---

Goodman Manufacturing Company, L.P. is not responsible for personal injury or property damage resulting from improper service. Review all service information before beginning repairs.

Warranty service must be performed by an authorized technician, using authorized factory parts. If service is required after the warranty expires, Goodman Manufacturing Company, L.P. also recommends contacting an authorized technician and using authorized factory parts.

Goodman Manufacturing Company, L.P. reserves the right to discontinue, or change at any time, specifications or designs without notice or without incurring obligations.

For assistance within the U.S.A. contact:  
Consumer Affairs Department  
Goodman Manufacturing Company, L.P.  
7401 Security Way  
Houston, Texas 77040  
877-254-4729-Telephone  
713-863-2382-Facsimile

For assistance outside the U.S.A. contact:  
International Division  
Goodman Manufacturing Company, L.P.  
7401 Security Way  
Houston, Texas 77040  
713-861-2500-Telephone  
713-863-2382-Facsimile

# Functional Parts

## Part

## No: Description:

---

B1368056	BELT DRIVE BLOWER WHEEL
0131L00003	BELT DRIVE MOTOR 1 HP
CAP050000370VA	CAPACITOR 5/370V
ZP39K5ETFD130	COMP, 39000, 460/60/3 (M2)
ZP31K5ETFD130	COMPRESSOR 31200, 460/60/3 (M1)
B13400269S	COND MOTOR 380/460 50/60 CYCLE
CONT3P025024V	CONTACTOR 25 AMP, 3P, 24V (QTY 2)
0130M00055	CUT-OUT SWITCH, HIGH PRESSURE
0130L00007	CUT-OUT SWITCH, LOW PRESSURE
PCBFM131	ELECTRONIC BLOWER TIME DELAY RELAY
0164L00010	FAN BELT, NOTCHED
0150G00001	FAN BLADE
0162M00108	FLOWRATOR .076 (M2)
0162M00078	FLOWRATOR [EVAP] (M1)
B1141653	TRANSFORMER 480V, 75VA, RESETTABLE

### Expanded Model Nomenclature

M1 - CPC036XXX4BXXBBA

M2 - CPC048XXX4BXXBBA

# Top Panel/Tubing Assy

Image 1

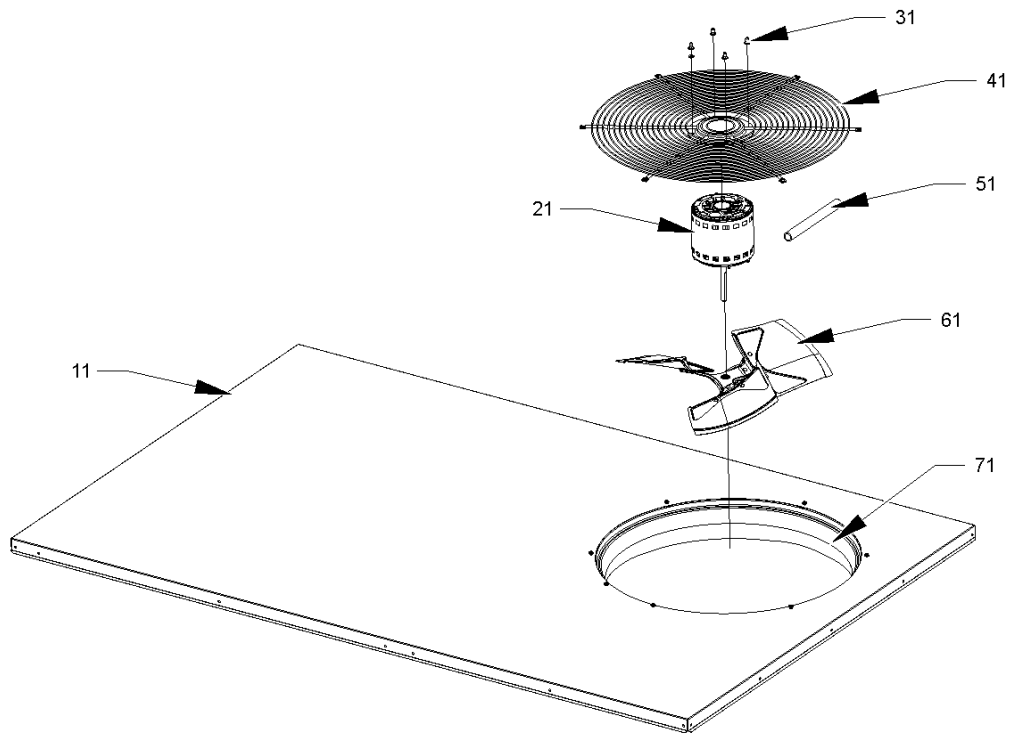
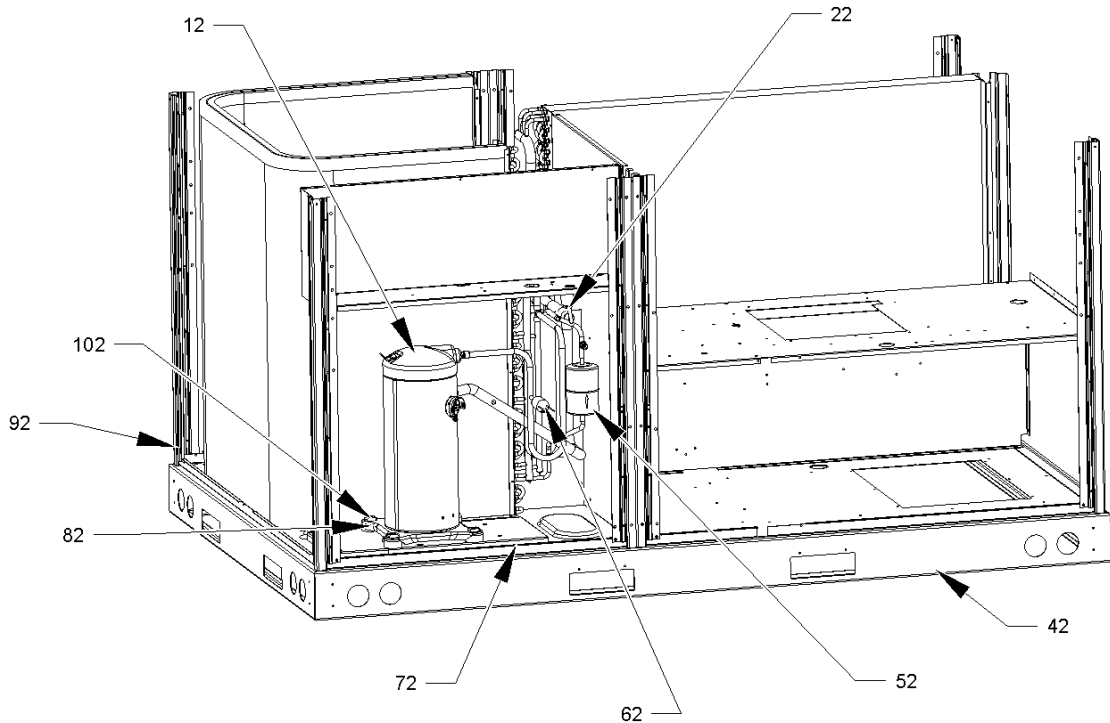


Image 2



# Top Panel/Tubing Assy

Ref. Part No:	No:	Description:	Ref. Part No:	No:	Description:
---------------	-----	--------------	---------------	-----	--------------

---

*Image 1:*

11	0270L00086	INSULATION-TOP ASSY.
21	B13400269S	COND MOTOR 380/460 50/60 CYCLE
31	0163M00006P	ACORN NUT 5/16 HEX BLACK (QTY 4)
41	0152G00002	GRILLE-FAN
51	17788000083F	PVC CONDUIT 8.25"
61	0150G00001	FAN BLADE
71	0161L00000	VENTURI RING 22"

*Image 2:*

12	ZP39K5ETFD130	COMP, 39000, 460/60/3 (M2)
12	ZP31K5ETFD130	COMPRESSOR 31200, 460/60/3 (M1)
22	0130L00007	CUT-OUT SWITCH, LOW PRESSURE
42	0121L00244RF	SIDE RAIL (QTY 2)
52	B1219225	SINGLE-FLOW FILTER DRIER, STEEL
62	0130M00055	CUT-OUT SWITCH, HIGH PRESSURE
72	0121L00310	COMPRESSOR MOUNTING PLATE
82	B1339533	COMPRESSOR GROMMET (QTY 4)
92	0121L00245	RAIL-END (QTY 2)
102	M0221641	TF SHOULDER SCREW (QTY 4)
NS	0159L00028	COMPRESSOR SCROLL HARNESS

Expanded Model Nomenclature

M1 - CPC036XXX4BXXBBA
M2 - CPC048XXX4BXXBBA

# Cabinet Assy

Image 1

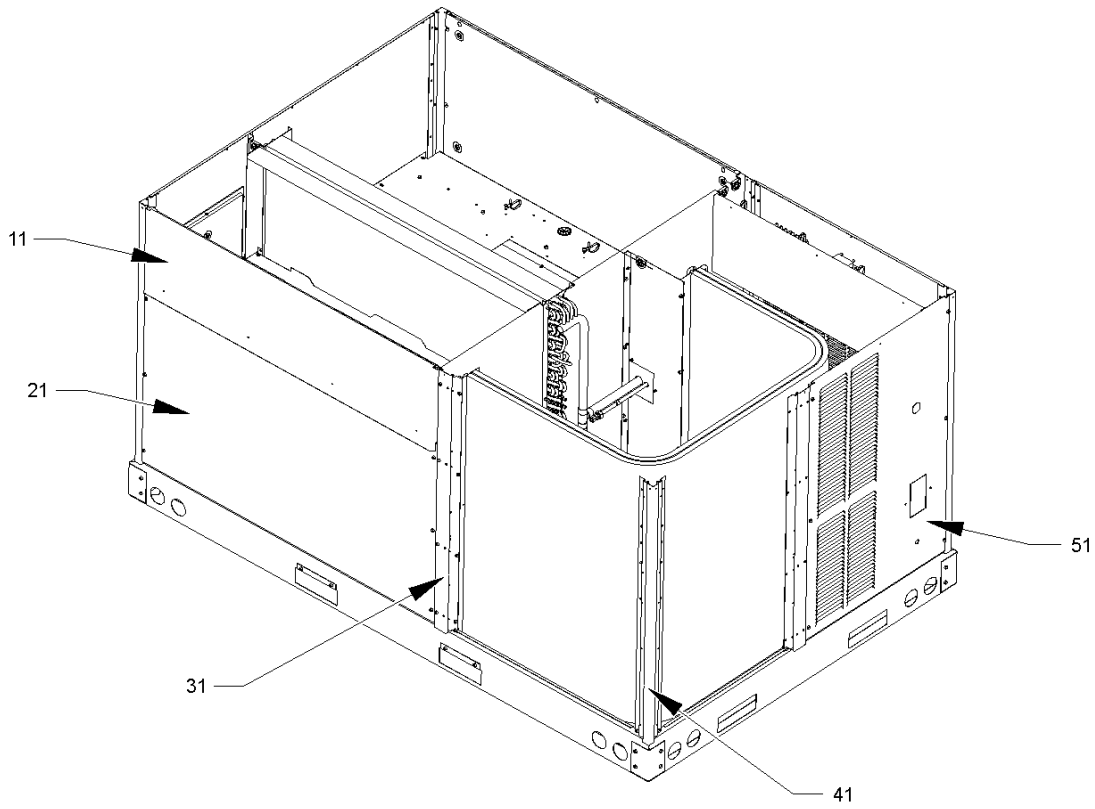
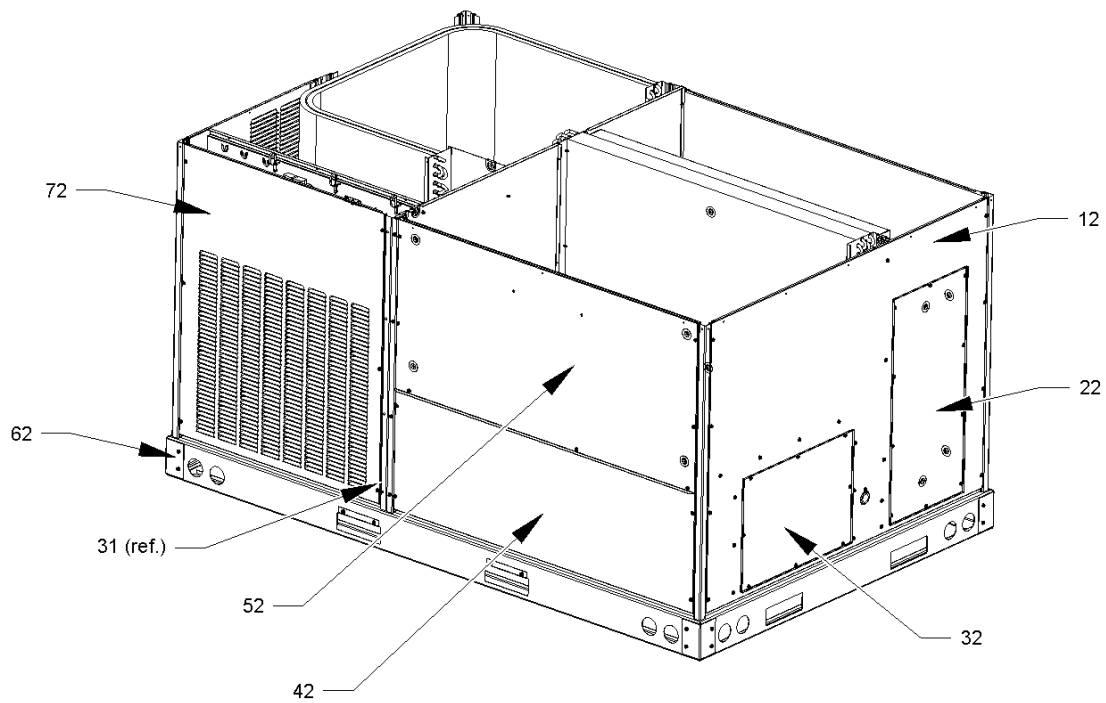


Image 2



# Cabinet Assy

Ref. Part No: No:	Description:	Ref. Part No: No:	Description:
-------------------	--------------	-------------------	--------------

---

*Image 1:*

11	0270L00080	INSULATED ASSY, FILTER DOOR
21	0270L00081	INSULATED ASSY, ECONOMIZER DOOR
31	0121L00233RFDG	POST-SIDE SUPPORT (QTY 3)
41	0121L00237RFDG	CORNER POST (QTY 4)
51	0121L00263DG	LOUVERED COMPRESSOR PANEL
NS	0121L00321	SMOKE DETECTOR COVER

*Image 2:*

12	0270L00079	INSULATED ASSY, DUCT PANEL
22	0270L00011	INSULATED ASSY, RETURN DUCT
32	0270L00012	INSULATED ASSY, SUPPLY DUCT
42	0121L00279DG	ELECTRIC HEAT DOOR
52	0270L00084	INSULATED ASSY, BLOWER DOOR
62	0121G00301	RAIL CORNER BRACKET (QTY 4)
72	0121L00262DG	LOUVERED CONTROL PANEL

Expanded Model Nomenclature

M1 - CPC036XXX4BXXBBA

M2 - CPC048XXX4BXXBBA

# Partition Assy

Image 1

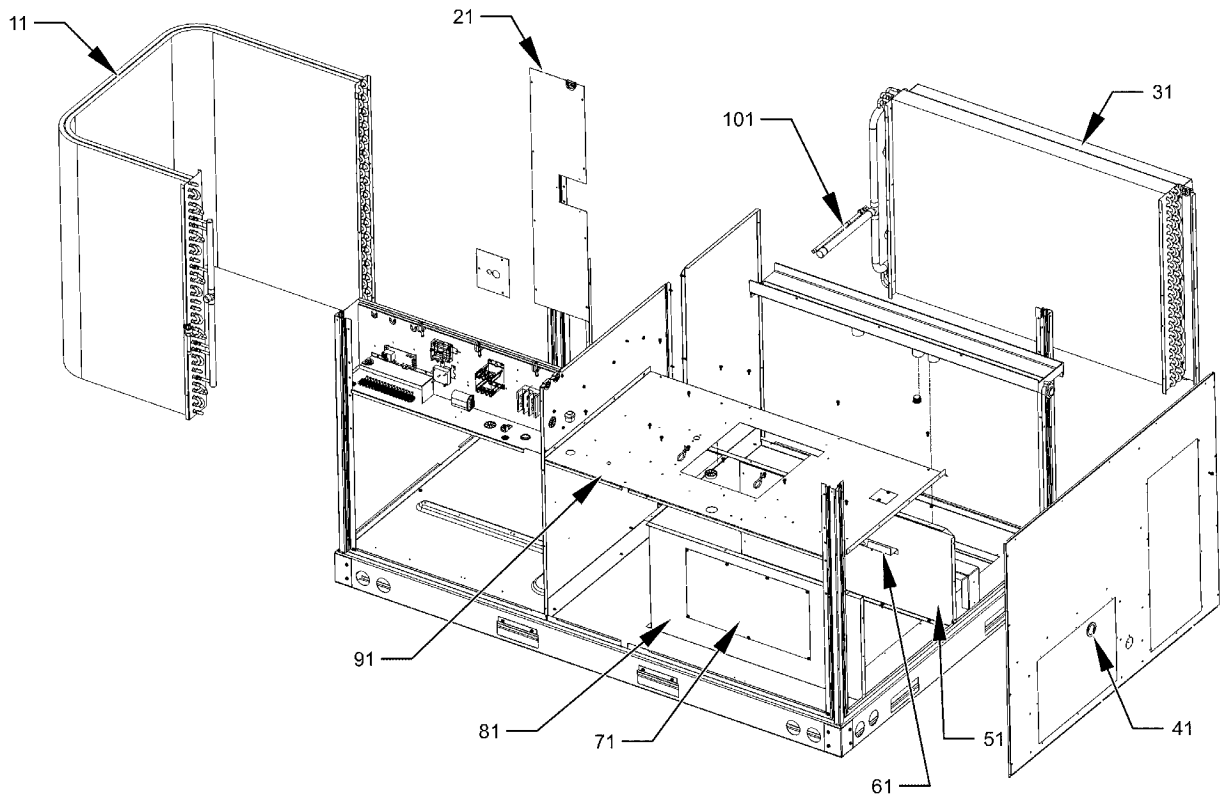
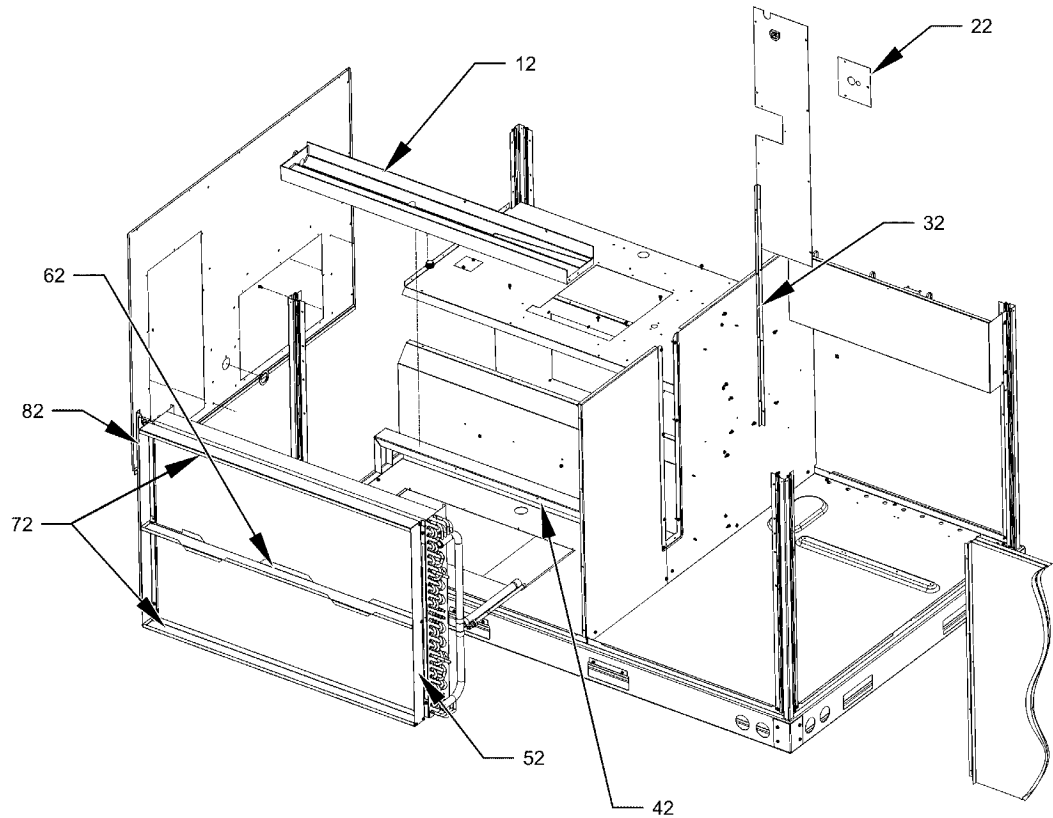


Image 2



# Partition Assy

Ref. Part No: No:	Description:	Ref. Part No: No:	Description:
-------------------	--------------	-------------------	--------------

*Image 1:*

11	0201L00036	TUBING ASSY, COND COIL
21	0121L00311	COND BLOCK-OFF
31	0202L00024	TUBING ASSY, EVAP COIL (M1)
31	0202L00029	TUBING ASSY, EVAP COIL (M2)
41	0154L00009	DRAIN PAN GASKET
51	0121L00243	DECK SIDE CHANNEL
61	0121L00288	ELECTRIC HEAT RETAINER
71	0121L00144	ELECTRIC HEAT COVER
81	0121L00256	ELECTRIC HEAT PANEL
91	0121L00981	DECK BLOWER
101	0162M00108	FLOWRATOR .076 (M2)
101	0162M00078	FLOWRATOR [EVAP] (M1)

*Image 2:*

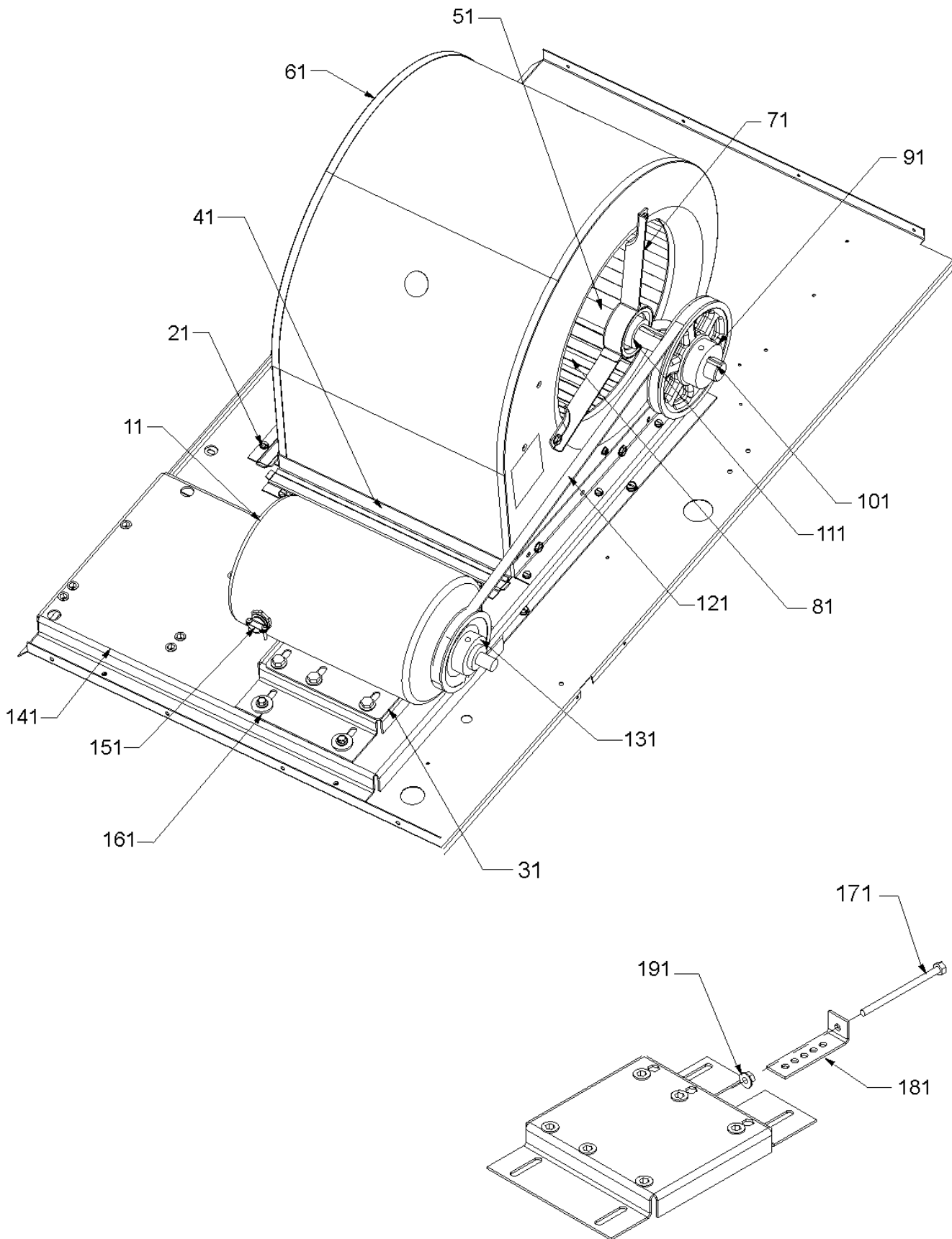
12	0161L00005	DRAIN PAN
22	0121L00324	COND BLOCK-OFF PLATE
32	0121L00254	COND MOUNTING ANGLE
42	0121L00238	DRAIN PAN SUPPORT
52	0121L00291	FILTER ANGLE-BOTTOM (M1)
52	0121L00287	FILTER ANGLE-VERTICAL (RETURN SIDE) (M2)
62	0121L00298	FILTER ANGLE-HORIZONTAL (CENTER) (M2)
72	0121L00932	ANGLE-FILTER HORIZONTAL (M2)
72	0121L00292	FILTER ANGLE-VERTICAL (M1)
82	0121L00290	FILTER ANGLE-TOP (M1)
82	0121L00303	FILTER ANGLE-VERTICAL (HAIRPIN SIDE) (M2)
NS	0160L00008	FILTER 14 X 20 X 2 (M2)
NS	0160L00046	FILTER 24 X 24 (M1)

Expanded Model Nomenclature

M1 - CPC036XXX4BXXBBA

M2 - CPC048XXX4BXXBBA

# Belt Drive Assy



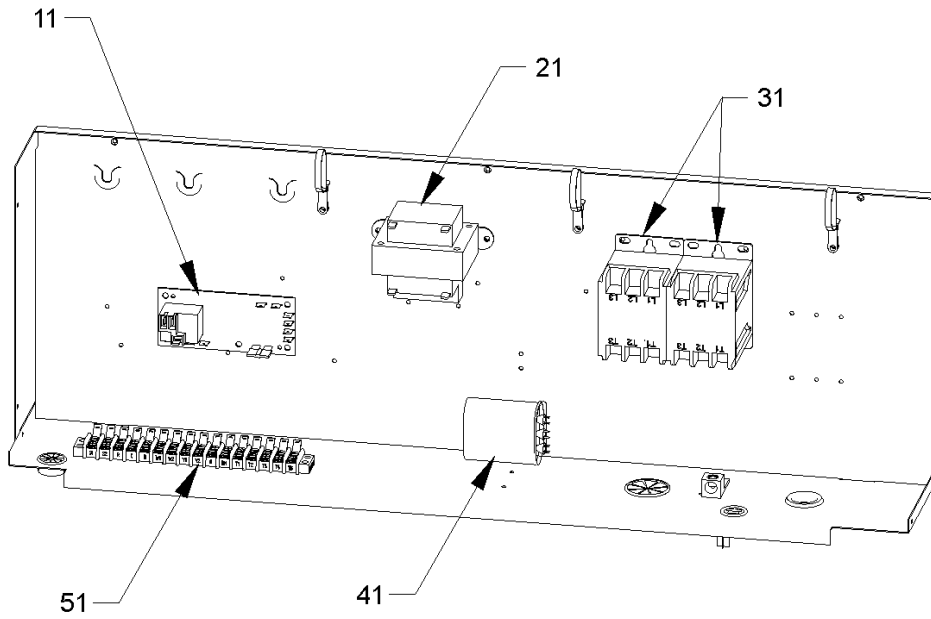
# Belt Drive Assy

Ref. Part No:	No:	Description:	Ref. Part No:	No:	Description:
<i>Image 1:</i>					
11	0131L00003	BELT DRIVE MOTOR 1 HP			
21	0121L00297	BLOWER SIDE ANGLE (QTY 3)			
31	0121L00899	MOTOR BASE			
41	0121L00281	BLOWER MOUNTING ANGLE			
51	0163L00005	BELT DRIVE BLOWER SHAFT			
61	2539302F	BLOWER HOUSING 11 X 10			
71	B3201300	MOUNTING BRACKET BEARING (QTY 2)			
81	B1368056	BELT DRIVE BLOWER WHEEL			
91	B2120011	FIXED SHEAVE (M1)			
91	B3204310	FIXED SHEAVE AK66 (M2)			
101	B1398604	STEEL KEY (000158812) 2.0"			
111	B1399500	BALL BEARING 1.00"			
121	0164L00010	FAN BELT, NOTCHED			
131	0163L00024	VARIABLE PITCH SHEAVE 1VL40 X 5/8" (M1)			
131	B2120001	VARIABLE PITCH SHEAVE 1VL44 X 3/8" (M2)			
141	0121L00966	SUPPORT BLOWER PLATE			
151	B1393726	ELECT. CONNECTING BUSHING			
161	B1393738	BOLT 1/4-20 X 3/4" (QTY 4)			
171	0163M00045	BOLT 1/4-20 X 4"			
181	3225000F	BELT TIGHTENER ANGLE			
191	B1393023	NUT / LOCK .25-20			
NS	1864703F	BLOWER CUT-OFF			
NS	B1398603	STEEL KEY (000158812) 4.5"			

Expanded Model Nomenclature

M1 - CPC036XXX4BXXBBA
M2 - CPC048XXX4BXXBBA

# Control Box Assy



# Control Box Assy

**Ref. Part**

**No: No:**

**Description:**

**Ref. Part**

**No: No:**

**Description:**

---

*Image 1:*

11	PCBFM131	ELECTRONIC BLOWER TIME DELAY RELAY
21	CONT3P025024V	CONTACTOR 25 AMP, 3P, 24V (QTY 2)
31	B1141653	TRANSFORMER 480V, 75VA, RESETTABLE
41	CAP050000370VA	CAPACITOR 5/370V
51	0130M00038	TERMINAL BOARD
NS	20520901	CAPACITOR STRAP
NS	0259L00057	WIRING HARNESS
NS	0259L00060	WIRING HARNESS
NS	0259L00061	WIRING HARNESS
NS	0259L00064	WIRING HARNESS
NS	0259L00065	WIRING HARNESS

Expanded Model Nomenclature

M1 - CPC036XXX4BXXBBA

M2 - CPC048XXX4BXXBBA

# Accessory Parts List

<b>Ref. Part No: No:</b>	<b>Description:</b>	<b>Ref. Part No: No:</b>	<b>Description:</b>
------------------------------	---------------------	------------------------------	---------------------

---

*Image 1:*

NS 0130M00065	CIRCUIT BREAKER, CONVENIENCE OUTLET
NS 0270L00107	CONVENIENCE OUTLET ASSEMBLY
NS 0130M00061	TRANSFORMER, CONVENIENCE OUTLET

Expanded Model Nomenclature

M1 - CPC036XXX4BXXBBA
M2 - CPC048XXX4BXXBBA