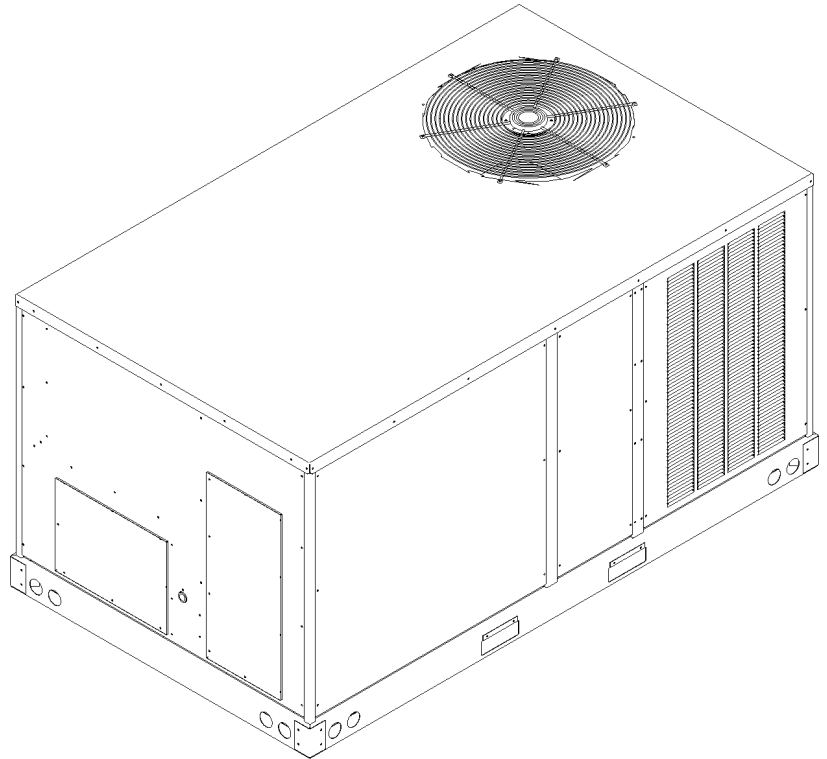


REPAIR PARTS

Light Commercial 3 Phase 3 & 4 Ton Package Coolers

CPC036XXX3BXJXAA
CPC036XXX3BXXXAA
CPC036XXX3DXJXAA
CPC036XXX3DXXXAA
CPC036XXX4BXJXAA
CPC036XXX4BXXXAA
CPC036XXX7BXXXAA
CPC048XXX3BXJXAA
CPC048XXX3BXXXAA
CPC048XXX3DXJXAA
CPC048XXX3DXXXAA
CPC048XXX4BXJXAA
CPC048XXX4BXXXAA
CPC048XXX7BXXXAA



This manual is to be used by qualified technicians only.

This manual replaces RP-511A.

© 2008-2014 Goodman Manufacturing Company, L.P. ♦ 5151 San Felipe, Suite 500 ♦ Houston, TX 77056

Important Information

Index

| | |
|------------------------------|--------|
| Functional Parts List | 3 |
| Illustration and Parts | 4 - 13 |

Views shown are for parts illustrations only, not servicing procedures

Rev. A: Added models CPC036XXX3BXJXAA, CPC036XXX3DXJXAA, CPC036XXX4BXJXAA, CPC048XXX3BXJXAA, CPC048XXX3DXJXAA, and CPC048XXX4BXJXAA.

Rev. B: Changed blower housing part number 0121L00010 to 11185817.

Text Codes:

AR - As Required

NA - Not Available

NS - Not Shown

00000000 - See Note

QTY - Quantity Example (QTY 3) (If Quantity not shown, Quantity = 1)

M - Model Example (M1) (If M Code not shown, then part is used on all Models)

Expanded Model Nomenclature:

| |
|---|
| Example M1 - Model#1 M2 - Model#2 M3 - Model#3 |
|---|

Goodman Manufacturing Company, L.P. is not responsible for personal injury or property damage resulting from improper service. Review all service information before beginning repairs.

Warranty service must be performed by an authorized technician, using authorized factory parts. If service is required after the warranty expires, Goodman Manufacturing Company, L.P. also recommends contacting an authorized technician and using authorized factory parts.

Goodman Manufacturing Company, L.P. reserves the right to discontinue, or change at any time, specifications or designs without notice or without incurring obligations.

For assistance within the U.S.A. contact:
Consumer Affairs Department
Goodman Manufacturing Company, L.P.
7401 Security Way
Houston, Texas 77040
877-254-4729-Telephone
713-863-2382-Facsimile

For assistance outside the U.S.A. contact:
International Division
Goodman Manufacturing Company, L.P.
7401 Security Way
Houston, Texas 77040
713-861-2500-Telephone
713-863-2382-Facsimile

Functional Parts

Part

No: **Description:**

| | |
|----------------|---|
| B1370751 | 24V RELAY (M3, M4, M10, M11) |
| 0131L00003 | BELT DRIVE MOTOR 1 HP (M1, M2, M5, M6, M8, M9, M12, M13) |
| 0131L00004 | BELT DRIVE MOTOR 1.5 HP 575V (M7, M14) |
| 0131M00091 | BLOWER MOTOR 230V (M10, M11) |
| 0131M00094 | BLOWER MOTOR 230V (M3, M4) |
| CAP100000370LA | CAPACITOR 10/370V (M3, M4) |
| CAP150000370LA | CAPACITOR 15/370V (M10, M11) |
| CAP050000370LA | CAPACITOR 5/370V |
| ZP31K5ETFE130 | COMPRESSOR 31100, 575/60/3 (M7) |
| ZP31K5ETF5130 | COMPRESSOR 31200, 200/230/60/3 (M1, M2, M3, M4) |
| ZP31K5ETFD130 | COMPRESSOR 31200, 460/60/3 (M5, M6) |
| ZP39K5ETF5130 | COMPRESSOR 39000, 200/230/60/3 (M8, M9, M10, M11) |
| ZP39K5ETFD130 | COMPRESSOR 39000, 460/60/3 (M12, M13) |
| ZP39K5ETFE130 | COMPRESSOR 39000, 575/60/3 (M14) |
| 0131M00429 | COND MOTOR 1/4 HP, 1 SP,6 PL (M1, M2, M3, M4, M8, M9, M10, M11) |
| B13400269 | COND MOTOR 380/460 50/60 CYCLE (M5, M6, M12, M13) |
| 0131M00098 | COND MOTOR 575V (M7, M14) |
| CONT3P025024V | CONTACTOR 25 AMP, 3P, 24V (M3, M4, M5, M6, M7, M10, M11, M12, M13, M14) |
| CONT3P030024V | CONTACTOR 30 AMP, 3P, 24V (M1, M2, M8, M9) |
| 0130M00030 | CUT-OUT SWITCH, HIGH PRESSURE |
| 0130L00002 | CUT-OUT SWITCH, LOW PRESSURE |
| PCBFM103 | ELECTRONIC BLOWER TIME DELAY |
| 0130M00038 | TERMINAL BOARD |
| 0130M00138 | TRANSFORMER 208/230, 24V (M1, M2, M3, M4, M8, M9, M10, M11) |
| 0130M00145 | TRANSFORMER 480V to 24V, 75VA (M5, M6, M12, M13) |
| 0130M00148 | TRANSFORMER 575V to 24V, 75VA (M7, M14) |

SPECIAL PARTS

0140L00058 GOODMAN LABEL

Expanded Model Nomenclature

| |
|------------------------|
| M1 - CPC036XXX3BXJXAA |
| M2 - CPC036XXX3BXXXAA |
| M3 - CPC036XXX3DXJXAA |
| M4 - CPC036XXX3DXXXAA |
| M5 - CPC036XXX4BXJXAA |
| M6 - CPC036XXX4BXXXAA |
| M7 - CPC036XXX7BXXXAA |
| M8 - CPC048XXX3BXJXAA |
| M9 - CPC048XXX3BXXXAA |
| M10 - CPC048XXX3DXJXAA |
| M11 - CPC048XXX3DXXXAA |
| M12 - CPC048XXX4BXJXAA |
| M13 - CPC048XXX4BXXXAA |
| M14 - CPC048XXX7BXXXAA |

Top Panel/Tubing Assy

Image 1

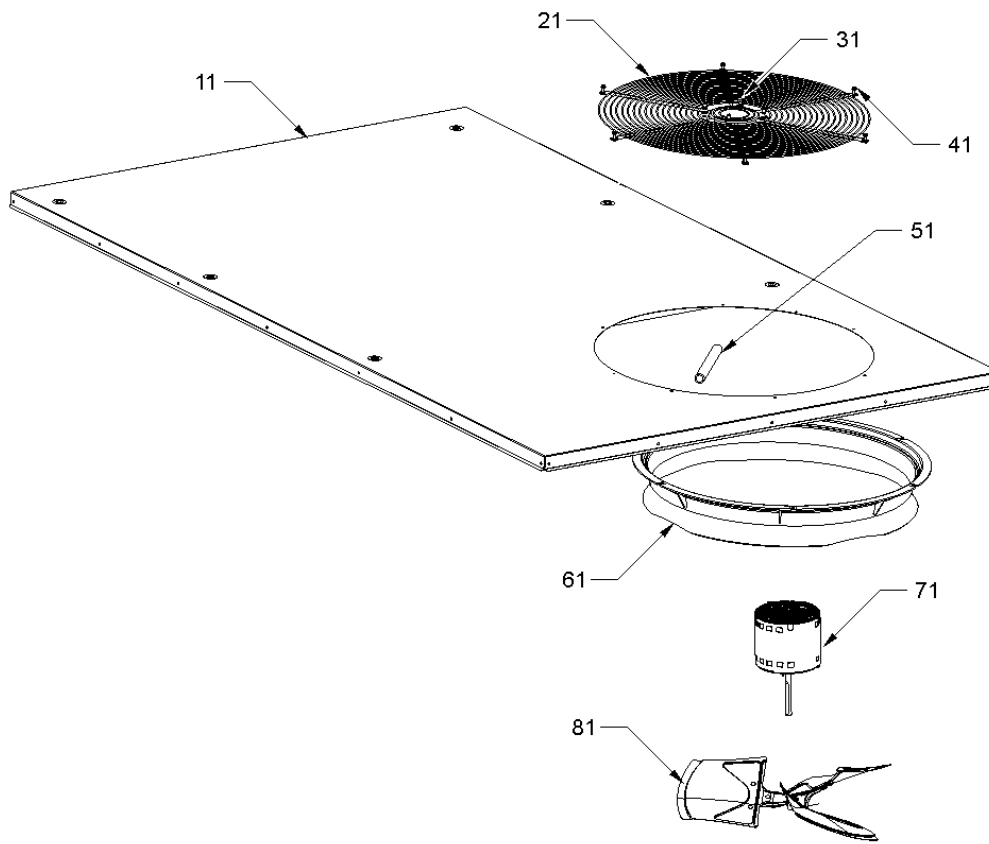
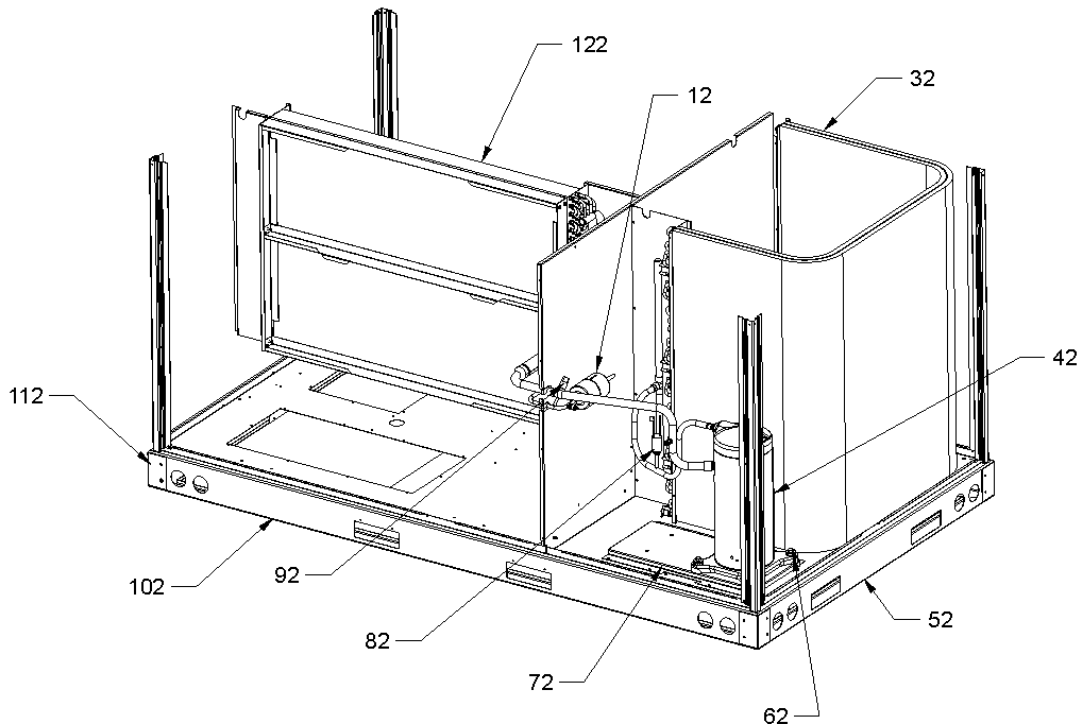


Image 2



Top Panel/Tubing Assy

**Ref. Part
No: No:**

Description:

**Ref. Part
No: No:**

Description:

Image 1:

| | | |
|----|--------------|--|
| 11 | 0274L00001 | INSULATED ASSY, TOP PANEL |
| 21 | 0152G00003 | FAN GRILLE |
| 31 | 0163M00006P | ACORN NUT 5/16 HEX BLACK (QTY 4) |
| 41 | 0163M00004 | SCREW #10X3/4", BLACK (QTY 4) |
| 51 | 17788000083F | PVC CONDUIT 8.25" |
| 61 | 0161L00000 | VENTURI RING 22" |
| 71 | 0131M00429 | COND MOTOR 1/4 HP, 1 SP, 6 PL (M1, M2, M3, M4, M8, M9, M10, M11) |
| 71 | B13400269 | COND MOTOR 380/460 50/60 CYCLE (M5, M6, M12, M13) |
| 71 | 0131M00098 | COND MOTOR 575V (M7, M14) |
| 81 | 0150G00001 | FAN BLADE |
| NS | 0259L00000 | COND MOTOR HARNESS (M1, M2, M3, M4, M7, M8, M9, M10, M11, M14) |
| NS | 0259L00023 | COND MOTOR HARNESS 460V (M5, M6, M12, M13) |

Image 2:

| | | |
|-----|---------------|--|
| 12 | B1219225 | SINGLE-FLOW FILTER DRIER, STEEL |
| 32 | 0201L00008 | TUBING ASSY, COND COIL (M2, M4, M6, M7, M9, M11, M13, M14) |
| 32 | 0201L00019 | TUBING ASSY, COND COIL (M1, M3, M5, M8, M10, M12) |
| 42 | ZP31K5ETFE130 | COMPRESSOR 31100, 575/60/3 (M7) |
| 42 | ZP31K5ETF5130 | COMPRESSOR 31200, 200/230/60/3 (M1, M2, M3, M4) |
| 42 | ZP31K5ETFD130 | COMPRESSOR 31200, 460/60/3 (M5, M6) |
| 42 | ZP39K5ETF5130 | COMPRESSOR 39000, 200/230/60/3 (M8, M9, M10, M11) |
| 42 | ZP39K5ETFD130 | COMPRESSOR 39000, 460/60/3 (M12, M13) |
| 42 | ZP39K5ETFE130 | COMPRESSOR 39000, 575/60/3 (M14) |
| 52 | 0121G00262 | BASE PAN RAIL-SHORT (QTY 4) |
| 62 | M0221641 | TF SHOULDER SCREW (QTY 4) |
| 72 | 0121L00004 | COMPRESSOR MOUNTING PLATE |
| 82 | 0130M00030 | CUT-OUT SWITCH, HIGH PRESSURE |
| 92 | 0130L00002 | CUT-OUT SWITCH, LOW PRESSURE |
| 102 | 0121G00261 | BASE PAN RAIL-LONG (QTY 4) |
| 112 | 0121G00301 | RAIL CORNER BRACKET (QTY 4) |
| 122 | 0202L00009 | TUBING ASSY, EVAP COIL (M1, M2, M3, M4, M5, M6, M7) |
| 122 | 0202L00014 | TUBING ASSY, EVAP COIL (M8, M9, M10, M11, M12, M13, M14) |
| NS | B1339533 | COMPRESSOR GROMMET (QTY 4) |
| NS | 0159L00003 | COMPRESSOR SCROLL HARNESS |
| NS | 0162M00079 | FLOWRATOR [COND] |
| NS | 0162L00003 | FLOWRATOR [EVAP] (M8, M9, M10, M11, M12, M13, M14) |
| NS | 0162M00078 | FLOWRATOR [EVAP] (M1, M2, M3, M4, M5, M6, M7, M8) |

Expanded Model Nomenclature

| |
|------------------------|
| M1 - CPC036XXX3BXJXAA |
| M2 - CPC036XXX3BXXXAA |
| M3 - CPC036XXX3DXJXAA |
| M4 - CPC036XXX3DXXXAA |
| M5 - CPC036XXX4BXJXAA |
| M6 - CPC036XXX4BXXXAA |
| M7 - CPC036XXX7BXXXAA |
| M8 - CPC048XXX3BXJXAA |
| M9 - CPC048XXX3BXXXAA |
| M10 - CPC048XXX3DXJXAA |
| M11 - CPC048XXX3DXXXAA |
| M12 - CPC048XXX4BXJXAA |
| M13 - CPC048XXX4BXXXAA |
| M14 - CPC048XXX7BXXXAA |

Cabinet Assy

Image 1

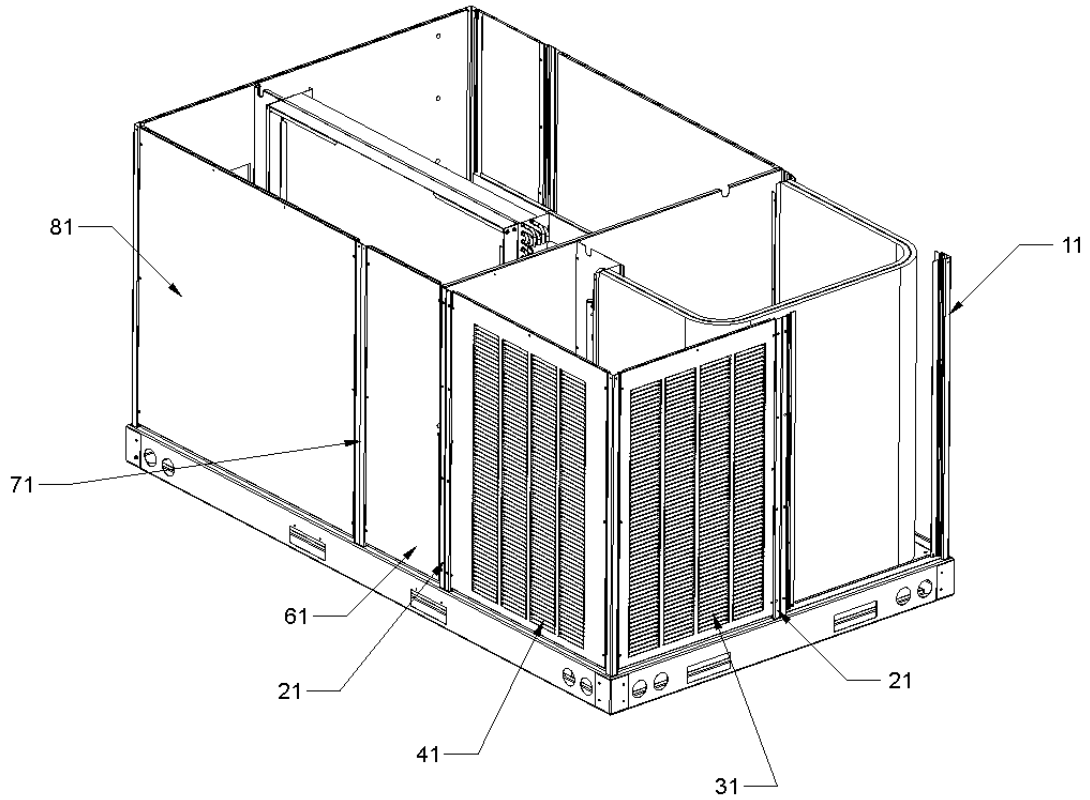
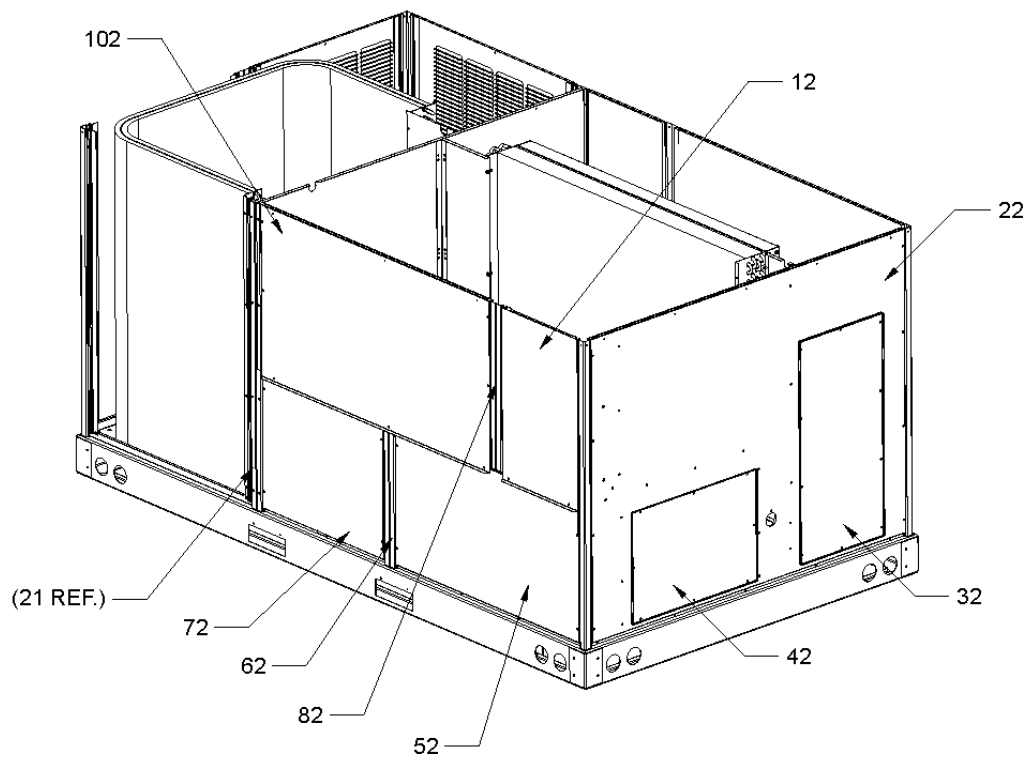


Image 2



Cabinet Assy

| Ref. Part No: No: | Description: | Ref. Part No: No: | Description: |
|-------------------|--------------|-------------------|--------------|
|-------------------|--------------|-------------------|--------------|

Image 1:

| | | |
|----|----------------|---------------------------------|
| 11 | 0121G00253RFDG | CORNER POST 36" (QTY 4) |
| 21 | 0121G00283RFDG | POST-SIDE SUPPORT (QTY 3) |
| 31 | 0121L00128DG | PNT, PANEL-LOUVER END |
| 41 | 0121L00001DG | LOUVERED SIDE PANEL |
| 61 | 0270L00004 | INSULATED ASSY, FILTER DOOR |
| 71 | 0270L00003 | INSULATED ASSY, ECONOMIZER DOOR |
| 81 | 0121L00125RFDG | SIDE POST-FILTER DOOR |
| NS | 0140L00058 | GOODMAN LABEL |

Image 2:

| | | |
|-----|----------------|-------------------------------------|
| 12 | 0121G00294DG | CONTROL DOOR |
| 22 | 0270L00001 | INSULATED ASSY, DUCT PANEL |
| 32 | 0270L00011 | INSULATED ASSY, RETURN DUCT |
| 42 | 0270L00012 | INSULATED ASSY, SUPPLY DUCT |
| 52 | 0270L00018 | INSULATED ASSY, HEAT EXCHANGER DOOR |
| 62 | 0121G00299RFDG | POST-BURNER DOOR |
| 72 | 0121L00017DG | BURNER DOOR |
| 82 | 0121G00298RFDG | CONTROL POST |
| 102 | 0270L00002 | INSULATED ASSY, BLOWER DOOR |

Expanded Model Nomenclature

| |
|------------------------|
| M1 - CPC036XXX3BXJXAA |
| M2 - CPC036XXX3BXXXAA |
| M3 - CPC036XXX3DXJXAA |
| M4 - CPC036XXX3DXXXAA |
| M5 - CPC036XXX4BXJXAA |
| M6 - CPC036XXX4BXXXAA |
| M7 - CPC036XXX7BXXXAA |
| M8 - CPC048XXX3BXJXAA |
| M9 - CPC048XXX3BXXXAA |
| M10 - CPC048XXX3DXJXAA |
| M11 - CPC048XXX3DXXXAA |
| M12 - CPC048XXX4BXJXAA |
| M13 - CPC048XXX4BXXXAA |
| M14 - CPC048XXX7BXXXAA |

Partition Assy

Image 1

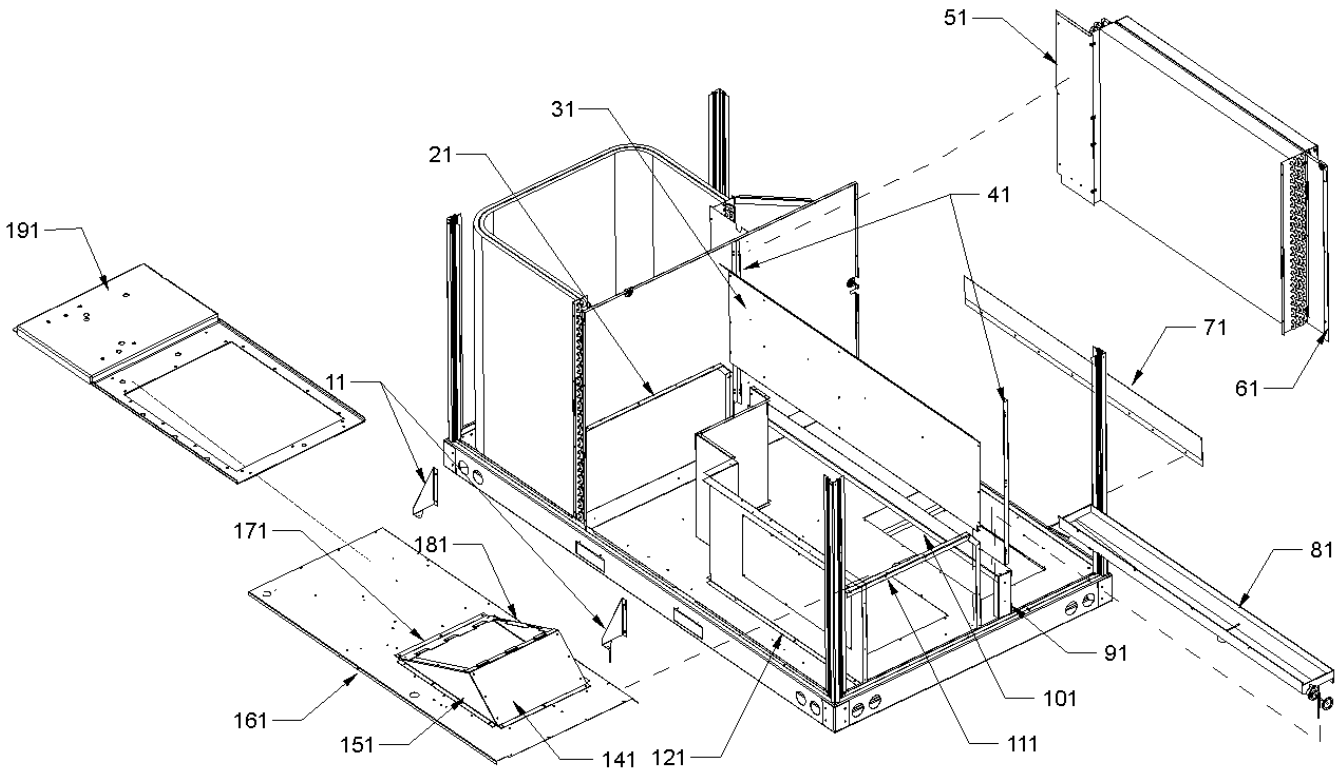
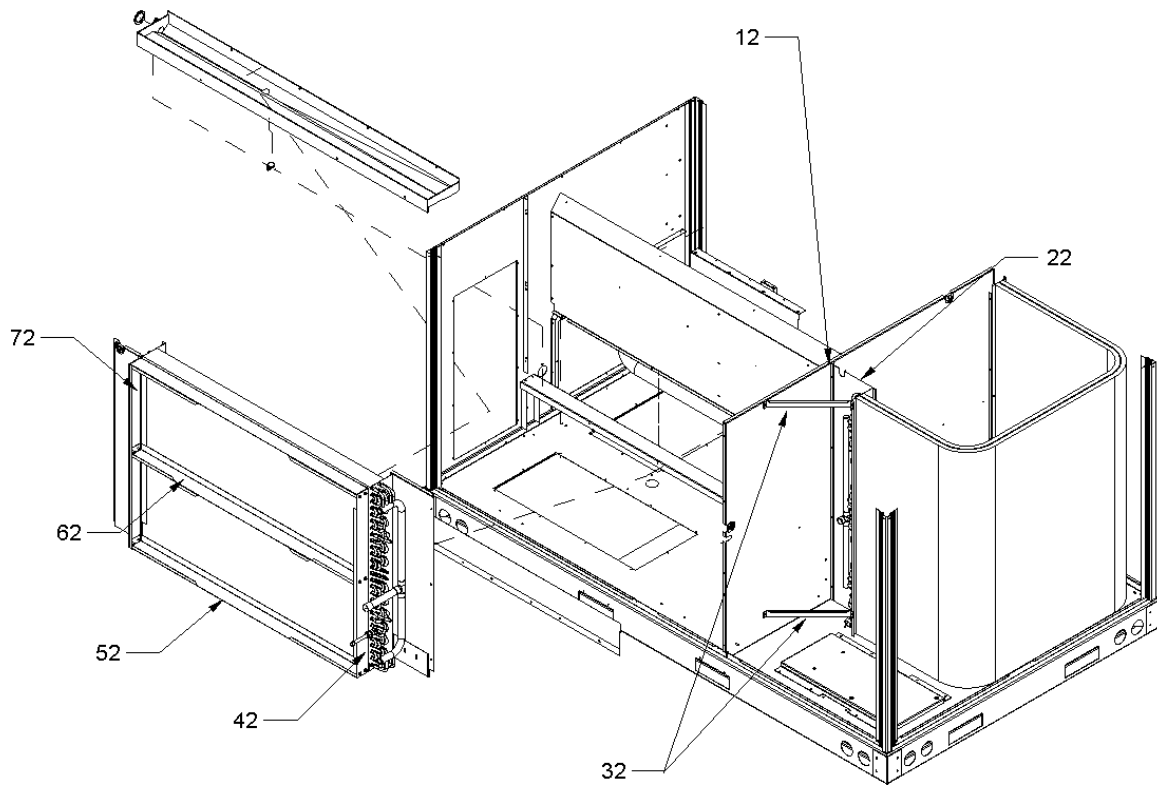


Image 2



Partition Assy

| Ref. Part No: No: | Description: | Ref. Part No: No: | Description: |
|-------------------|--|------------------------------------|------------------|
| Image 1: | | Expanded Model Nomenclature | |
| 11 | 0121L00062 EVAP COIL BRACE (QTY 2) | M1 | CPC036XXX3BXJXAA |
| 21 | 0121L00006 MOUNTING ANGLE-DECK, COND END | M2 | CPC036XXX3BXXXAA |
| 31 | 0121L00003 DECK SIDE CHANNEL | M3 | CPC036XXX3DXJXAA |
| 41 | 0121L00005 EVAP MOUNTING ANGLE | M4 | CPC036XXX3DXXXAA |
| 51 | 0121L00201 EVAP EXTENSION-HAIRPIN SIDE (M8, M9, M10, M11, M12, M13, M14) | M5 | CPC036XXX4BXJXAA |
| 51 | 0121L00202 EVAP EXTENSION-HAIRPIN SIDE (M1, M2, M3, M4, M5, M6, M7) | M6 | CPC036XXX4BXXXAA |
| 61 | 0121L00212 EVAP EXTENSION-RETURN SIDE | M7 | CPC036XXX7BXXXAA |
| 71 | 0121L00016 EVAP BLOW-OFF SHIELD | M8 | CPC048XXX3BXJXAA |
| 81 | 0161L00001 DRAIN PAN | M9 | CPC048XXX3BXXXAA |
| 91 | 0121L00037 SUPPORT LEG, DRAIN PAN | M10 | CPC048XXX3DXJXAA |
| 101 | 0121L00035 DRAIN PAN SUPPORT | M11 | CPC048XXX3DXXXAA |
| 111 | 0121L00007 MOUNTING ANGLE-DECK, DUCT END | M12 | CPC048XXX4BXJXAA |
| 121 | 0121L00160 ELECTRIC HEAT PANEL (M8, M9, M10, M11, M12, M13, M14) | M13 | CPC048XXX4BXXXAA |
| 121 | 0121L00179 ELECTRIC HEAT PANEL (M1, M2, M3, M4, M5, M6, M7) | M14 | CPC048XXX7BXXXAA |
| 141 | 0121G00264 BLOWER TRANSITION, RH END | | |
| 151 | 0121G00265 BLOWER TRANSITION, FRONT | | |
| 161 | 0121L00217 BLOWER DECK | | |
| 171 | 0121G00267 BLOWER TRANSITION, LH END (M1, M2, M5, M6, M7, M8, M9, M12, M13, M14) | | |
| 171 | 0121G00267 BLOWER TRANSITION, LH END (M1, M2, M5, M6, M7, M8, M9, M12, M13, M14) | | |
| 171 | 0121L00151 BLOWER TRANSITION, LH END (M3, M4, M10, M11) | | |
| 181 | 0121G00266 BLOWER TRANSITION, BACK | | |
| 191 | 0270L00014 MOUNTING PLATE ASSY (M1, M2, M5, M6, M7, M8, M9, M12, M13, M14) | | |
| NS | 0121L00036 SUPPORT LEG, DRAIN PAN | | |
| Image 2: | | | |
| 12 | 0121L00008 COND MOUNTING ANGLE | | |
| 22 | 0121G00258 COND BLOCK-OFF | | |
| 32 | 0121L00064 COND COIL BRACE (QTY 2) | | |
| 42 | 0121L00204 FILTER ANGLE-VERTICAL (RETURN SIDE) | | |
| 52 | 0121L00206 FILTER ANGLE-HORIZONTAL (QTY 2) | | |
| 62 | 0121L00220 FILTER RACK STRAP (QTY 2) | | |
| 72 | 0121L00205 FILTER ANGLE-VERTICAL (HAIRPIN SIDE) | | |
| NS | 0160L00008 FILTER 14 X 20 X 2 (QTY 4) | | |

Belt Drive Assy

Image 1

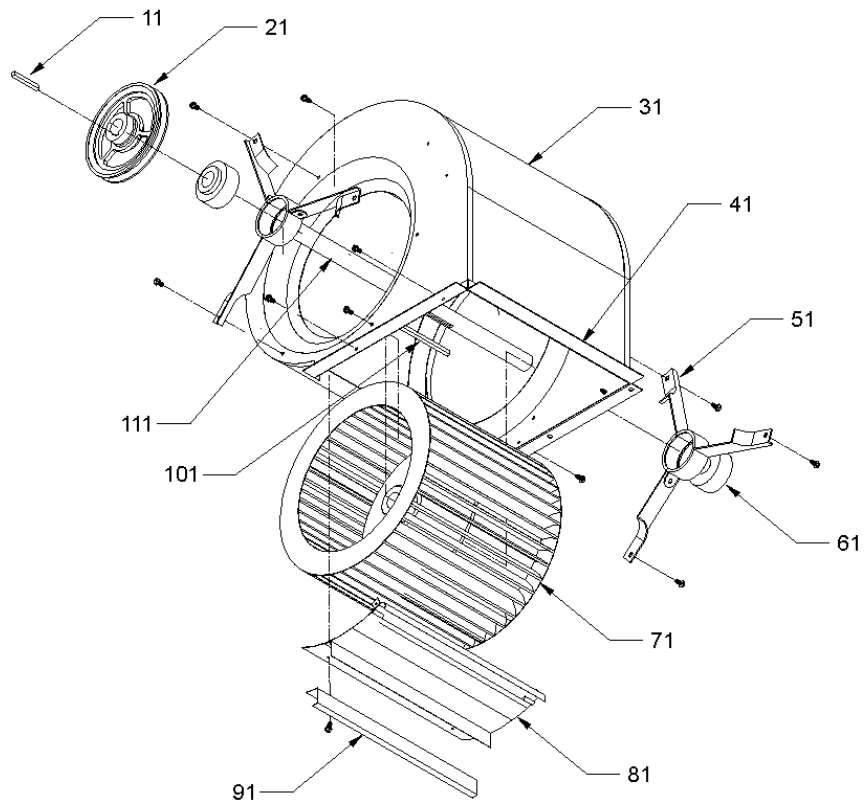
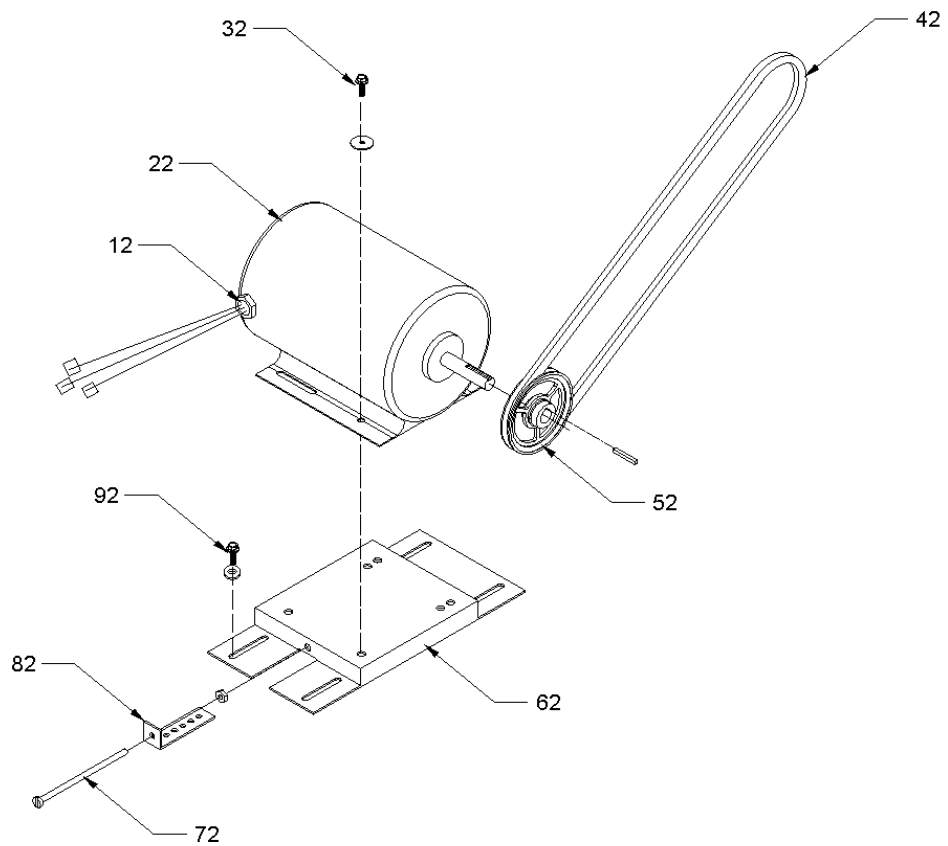


Image 2



Belt Drive Assy

| Ref. Part No: No: | Description: | Ref. Part No: No: | Description: |
|-------------------|--------------|-------------------|--------------|
|-------------------|--------------|-------------------|--------------|

Image 1:

| | | |
|-----|------------|--|
| 11 | B1398604 | STEEL KEY (000158812) 2.0" (M1, M2, M5, M6, M7, M8, M9, M12, M13, M14) |
| 21 | B2120011 | FIXED SHEAVE (M1, M2, M5, M6) |
| 21 | B3204303 | FIXED SHEAVE AK61 (M7, M14) |
| 21 | B3204310 | FIXED SHEAVE AK66 (M8, M9, M12, M13) |
| 31 | 2539302F | BLOWER HOUSING 11 X 10 (M1, M2, M5, M6, M7, M8, M9, M12, M13, M14) |
| 31 | 0271L00010 | BLOWER HOUSING ASSY 10 X 9 (M3, M4, M10, M11) |
| 41 | 0121L00022 | BLOWER MOUNTING ANGLE (M1, M2, M5, M6, M7, M8, M9, M12, M13, M14) |
| 51 | B3201300 | MOUNTING BRACKET BEARING (M1, M2, M5, M6, M7, M8, M9, M12, M13, M14) |
| 61 | B1399500 | BALL BEARING 1.00" (M1, M2, M5, M6, M7, M8, M9, M12, M13, M14) |
| 71 | B1368056 | BELT DRIVE BLOWER WHEEL (M1, M2, M5, M6, M7, M8, M9, M12, M13, M14) |
| 81 | 1864703F | BLOWER CUT-OFF (M1, M2, M5, M6, M7, M8, M9, M12, M13, M14) |
| 91 | 0121L00050 | BLOWER MOUNTING BRACKET (M1, M2, M5, M6, M7, M8, M9, M12, M13, M14) |
| 101 | B1398603 | STEEL KEY (000158812) 4.5" (M1, M2, M5, M6, M7, M8, M9, M12, M13, M14) |
| 111 | 0163L00005 | BELT DRIVE BLOWER SHAFT (M1, M2, M5, M6, M7, M8, M9, M12, M13, M14) |
| NS | 0259L00008 | MOTOR HARNESS-BELT DRIVE (M1, M2, M5, M6, M7, M8, M9, M12, M13, M14) |

Expanded Model Nomenclature

| |
|------------------------|
| M1 - CPC036XXX3BXJXAA |
| M2 - CPC036XXX3BXXXAA |
| M3 - CPC036XXX3DXJXAA |
| M4 - CPC036XXX3DXXXAA |
| M5 - CPC036XXX4BXJXAA |
| M6 - CPC036XXX4BXXXAA |
| M7 - CPC036XXX7BXXXAA |
| M8 - CPC048XXX3BXJXAA |
| M9 - CPC048XXX3BXXXAA |
| M10 - CPC048XXX3DXJXAA |
| M11 - CPC048XXX3DXXXAA |
| M12 - CPC048XXX4BXJXAA |
| M13 - CPC048XXX4BXXXAA |
| M14 - CPC048XXX7BXXXAA |

Image 2:

| | | |
|----|------------|---|
| 12 | B1393726 | ELECT. CONNECTING BUSHING (M1, M2, M5, M6, M7, M8, M9, M12, M13, M14) |
| 22 | 0131L00003 | BELT DRIVE MOTOR 1 HP (M1, M2, M5, M6, M8, M9, M12, M13) |
| 22 | 0131L00004 | BELT DRIVE MOTOR 1.5 HP 575V (M7, M14) |
| 32 | B1393738 | BOLT 1/4-20 X 3/4" (M1, M2, M5, M6, M7, M8, M9, M12, M13, M14) |
| 42 | B2110011 | FAN BELT AX41 (M1, M2, M5, M6) |
| 42 | B2110005 | NOTCHED FAN BELT (M7, M8, M9, M12, M13, M14) |
| 52 | 0163L00024 | VARIABLE PITCH SHEAVE 1VL40 X 5/8" (M1, M2, M5, M6) |
| 52 | B2120001 | VARIABLE PITCH SHEAVE 1VL44 X 3/8" (M7, M8, M9, M12, M13, M14) |
| 62 | 0270L00046 | MOTOR BASE ASSY (M1, M2, M5, M6, M7, M8, M9, M12, M13, M14) |
| 72 | 0163M00045 | BOLT 1/4-20 X 4" (M1, M2, M5, M6, M7, M8, M9, M12, M13, M14) |
| 82 | 3225000F | BELT TIGHTENER ANGLE (M1, M2, M5, M6, M7, M8, M9, M12, M13, M14) |
| 92 | B1446707 | SCREW 5/16-18 X 1" (M1, M2, M5, M6, M7, M8, M9, M12, M13, M14) |

Blower/Control Box Assy

Image 1

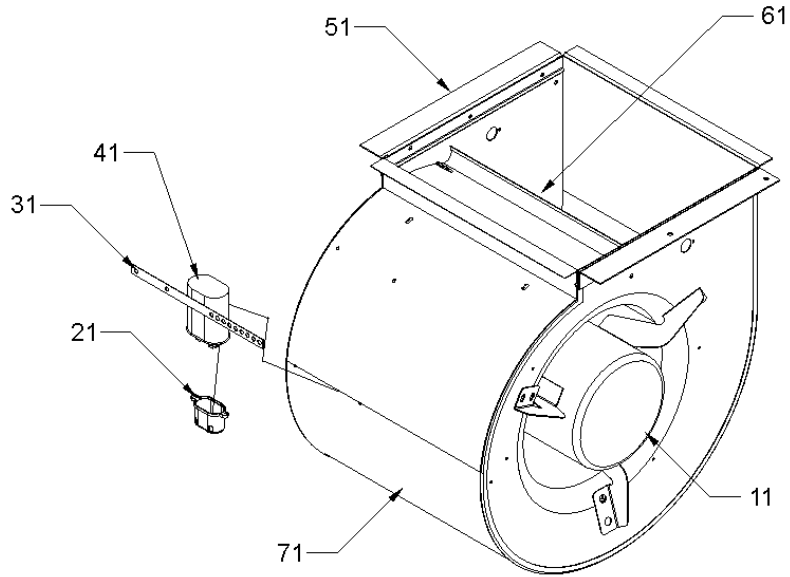
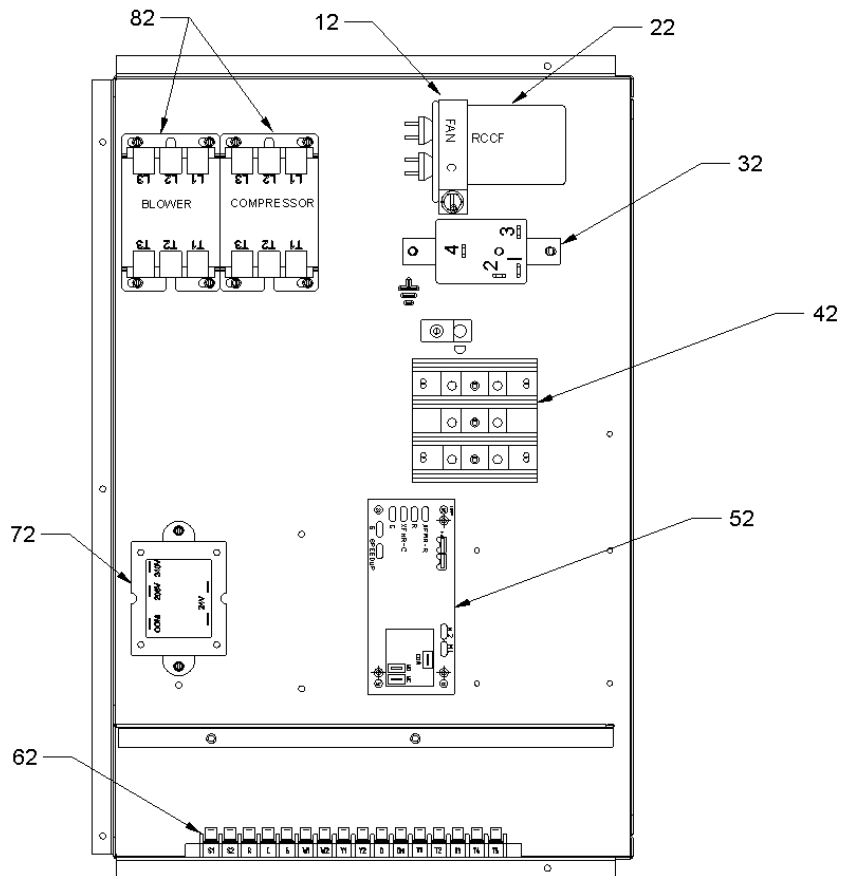


Image 2



Blower/Control Box Assy

| Ref. Part No: | Part No: | Description: | Ref. Part No: | Part No: | Description: |
|---------------|----------|--------------|---------------|----------|--------------|
|---------------|----------|--------------|---------------|----------|--------------|

Image 1:

| | | |
|----|----------------|--|
| 11 | 0131M00091 | BLOWER MOTOR 230V (M10, M11) |
| 11 | 0131M00094 | BLOWER MOTOR 230V (M3, M4) |
| 21 | B821700 | CAPACITOR BOOT (M3, M4, M10, M11) |
| 31 | 20520901 | STRAP-CAPACITOR (M3, M4, M10, M11) |
| 41 | CAP100000370LA | CAPACITOR 10/370V (M3, M4) |
| 41 | CAP150000370LA | CAPACITOR 15/370V (M10, M11) |
| 51 | 0121L00308 | BLOWER MOUNTING ANGLE (M3, M4, M10, M11) |
| 61 | C6121806 | BLOWER CUT-OFF (M3, M4, M10, M11) |
| 71 | 11185817 | BLOWER HOUSING (M3, M4, M10, M11) |
| NS | 0150M00014 | BLOWER WHEEL (M3, M4, M10, M11) |
| NS | 0259L00034 | CONTROL HARNESS 230V (M3, M4, M10, M11) |
| NS | M0250558 | TC SCREW (M3, M4, M10, M11) |

Image 2:

| | | |
|----|----------------|--|
| 12 | 20520901 | CAPACITOR STRAP |
| 22 | CAP050000370LA | CAPACITOR 5/370V |
| 32 | B1370751 | 24V RELAY (M3, M4, M10, M11) |
| 42 | 16330-3 | POWER BLOCK |
| 52 | PCBFM103 | ELECTRONIC BLOWER TIME DELAY |
| 62 | 0130M00038 | TERMINAL BOARD |
| 72 | 0130M00138 | TRANSFORMER 208/230, 24V (M1, M2, M3, M4, M8, M9, M10, M11) |
| 72 | 0130M00145 | TRANSFORMER 480V to 24V, 75VA (M5, M6, M12, M13) |
| 72 | 0130M00148 | TRANSFORMER 575V to 24V, 75VA (M7, M14) |
| 82 | CONT3P025024V | CONTACTOR 25 AMP, 3P, 24V (M3, M4, M10, M11) |
| 82 | CONT3P025024V | CONTACTOR 25 AMP, 3P, 24V (M5, M6, M7, M12, M13, M14) |
| 82 | CONT3P030024V | CONTACTOR 30 AMP, 3P, 24V (M1, M2, M8, M9) |
| NS | 0259L00002 | CONTROL HARNESS 460V/575V (M1, M2, M5, M6, M7, M8, M9, M12, M13, M14) |
| NS | 0259L00005 | ECONOMIZER HARNESS |
| NS | 0259L00036 | EVAP MOTOR HARNESS, PSC (M3, M4, M10, M11) |
| NS | 0259L00032 | LCM HARNESS, ELECTRIC HEAT (M1, M2, M5, M6, M7, M8, M9, M12, M13, M14) |
| NS | 0259L00003 | POWER HARNESS |
| NS | 0259L00035 | WIRE HARNESS, ELECTRIC HEAT (M3, M4, M10, M11) |

Expanded Model Nomenclature

| |
|------------------------|
| M1 - CPC036XXX3BXJXAA |
| M2 - CPC036XXX3BXXXAA |
| M3 - CPC036XXX3DXJXAA |
| M4 - CPC036XXX3DXXXAA |
| M5 - CPC036XXX4BXJXAA |
| M6 - CPC036XXX4BXXXAA |
| M7 - CPC036XXX7BXXXAA |
| M8 - CPC048XXX3BXJXAA |
| M9 - CPC048XXX3BXXXAA |
| M10 - CPC048XXX3DXJXAA |
| M11 - CPC048XXX3DXXXAA |
| M12 - CPC048XXX4BXJXAA |
| M13 - CPC048XXX4BXXXAA |
| M14 - CPC048XXX7BXXXAA |