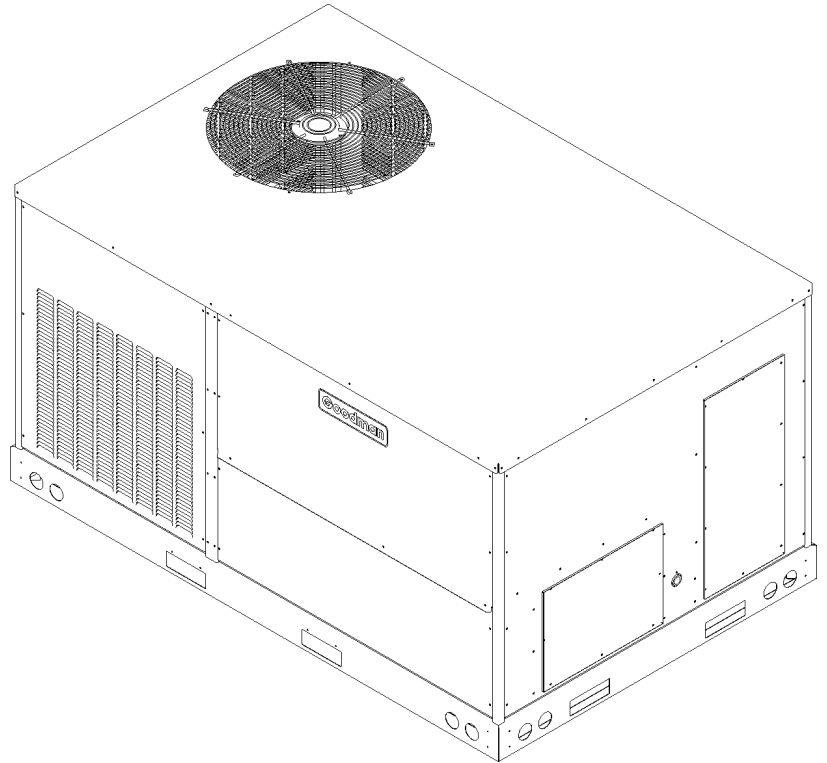


REPAIR PARTS

Commercial 3 - 5 Ton Package Coolers

CPC0360103DHXCBA
CPC036XXX1DXJXBA
CPC036XXX1DXXXBA
CPC036XXX3DXJXBA
CPC036XXX3DXXXBA
CPC048XXX1DXJXBA
CPC048XXX1DXXXBA
CPC048XXX3DXJXBA
CPC048XXX3DXXXBA
CPC060XXX1DXJXBA
CPC060XXX1DXXXBA
CPC060XXX3DXJXBA
CPC060XXX3DXXXBA



This manual is to be used by qualified technicians only.

This manual replaces RP-479A.

© 2009, 2013-2014 Goodman Manufacturing Company, L.P. ♦ 5151 San Felipe, Suite 500 ♦ Houston, TX 77056

Important Information

Index

Functional Parts List	3
Illustration and Parts	4 - 15

Views shown are for parts illustrations only, not servicing procedures

This system uses R410A refrigerant. If sealed system work is required, use approved equipment and follow service procedures. Refer to Service Manual or Installation Instructions for service procedures.

Rev A: addition of models with various FIOP's.

Rev. B: Replaced blower housing assy part numbers and nomenclature with blower housing . Added motor power harness and EHK3-10.

Text Codes:

AR - As Required

NA - Not Available

NS - Not Shown

00000000 - See Note

QTY - Quantity Example (QTY 3) (If Quantity not shown, Quantity = 1)

M - Model Example (M1) (If M Code not shown, then part is used on all Models)

Expanded Model Nomenclature:

Example
M1 - Model#1
M2 - Model#2
M3 - Model#3

Goodman Manufacturing Company, L.P. is not responsible for personal injury or property damage resulting from improper service. Review all service information before beginning repairs.

Warranty service must be performed by an authorized technician, using authorized factory parts. If service is required after the warranty expires, Goodman Manufacturing Company, L.P. also recommends contacting an authorized technician and using authorized factory parts.

Goodman Manufacturing Company, L.P. reserves the right to discontinue, or change at any time, specifications or designs without notice or without incurring obligations.

For assistance within the U.S.A. contact:
Consumer Affairs Department
Goodman Manufacturing Company, L.P.
7401 Security Way
Houston, Texas 77040
877-254-4729-Telephone
713-863-2382-Facsimile

For assistance outside the U.S.A. contact:
International Division
Goodman Manufacturing Company, L.P.
7401 Security Way
Houston, Texas 77040
713-861-2500-Telephone
713-863-2382-Facsimile

Functional Parts

Part

No: Description:

0130M00025	24V RELAY (M1, M2, M3, M4, M5, M6, M7, M8, M9)
0131M00126	BLOWER MOTOR (M1, M2, M3, M4, M5)
0131M00127	BLOWER MOTOR (M6, M7, M8, M9)
0131M00521	BLOWER MOTOR 1 HP (M10, M11, M12, M13)
D6723303	BLOWER WHEEL (M1, M2, M3, M4, M5, M6, M7, M8, M9)
B1368000	BLOWER WHEEL 11 X 10 (M10, M11, M12, M13)
CAP100000370LA	CAPACITOR 10/370V (M1, M2, M3, M4, M5)
CAP150000370LA	CAPACITOR 15/370V (M6, M7, M8, M9)
CAP050000370LA	CAPACITOR 5/370V (M3, M4, M5, M8, M9, M12, M13)
CAP050450440CT	CAPACITOR 5/45/440V (M1, M2, M6, M7)
CAP050700440CT	CAPACITOR 5/70/440V (M10, M11)
ZP31K5EPFV130	COMPRESSOR 31100, 208/230/60/1 (M1, M2)
ZP31K5ETF5130	COMPRESSOR 31200, 200/230/60/3 (M3, M4, M5)
ZP39K5ETF5130	COMPRESSOR 39000, 200/230/60/3 (M8, M9)
ZP39K5EPFV130	COMPRESSOR 39000, 208/230/60/1 (M6, M7)
ZP51K5EPFV130	COMPRESSOR 51000, 208/230/60/1 (M10, M11)
ZP51K5ETF5130	COMPRESSOR 51000, 208/230/60/3 (M12, M13)
0131M00429	COND MOTOR 1/4 HP, 1 SP, 6 PL
CONT3P025024V	CONTACTOR 25 AMP, 3P, 24V (M3, M4, M5, M8, M9)
CONT1P030024V	CONTACTOR 30 AMP, 1P, 24V (M1, M2, M6, M7)
CONT3P030024V	CONTACTOR 30 AMP, 3P, 24V (M12, M13)
CONT2P040024V	CONTACTOR 40 AMP, 2P, 24V (M10, M11)
0130M00055	CUT-OUT SWITCH, HIGH PRESSURE (M10, M11, M12, M13)
0130M00209	CUT-OUT SWITCH, HIGH PRESSURE (M1, M2, M3, M4, M5, M6, M7, M8, M9)
0130L00007	CUT-OUT SWITCH, LOW PRESSURE
PCBFM103	ELECTRONIC BLOWER TIME DELAY (M1, M2, M3, M4, M5, M6, M7, M8, M9)
0150G00001	FAN BLADE
0162R00009	FILTER DRIER (M10, M11, M12, M13)
B1219225	SINGLE-FLOW FILTER DRIER, STEEL (M1, M2, M3, M4, M5, M6, M7, M8, M9)
0130M00038	TERMINAL BOARD
0130M00138	TRANSFORMER 208/230, 24V

Expanded Model Nomenclature

M1 - CPC036XXX1DXJXBA
M2 - CPC036XXX1DXXXBA
M3 - CPC036XXX3DXJXBA
M4 - CPC036XXX3DXXXBA
M5 - CPC0360103DHXCBA
M6 - CPC048XXX1DXJXBA
M7 - CPC048XXX1DXXXBA
M8 - CPC048XXX3DXJXBA
M9 - CPC048XXX3DXXXBA
M10 - CPC060XXX1DXJXBA
M11 - CPC060XXX1DXXXBA
M12 - CPC060XXX3DXJXBA
M13 - CPC060XXX3DXXXBA

Top Panel / Compressor / Tubing Assy

Image 1

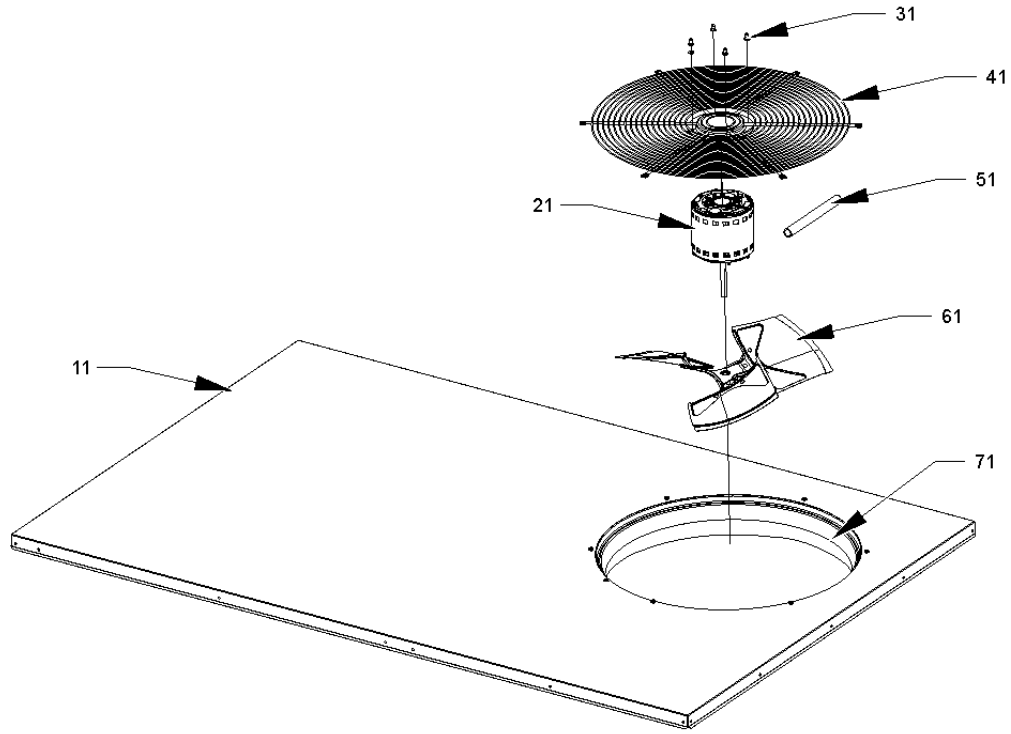
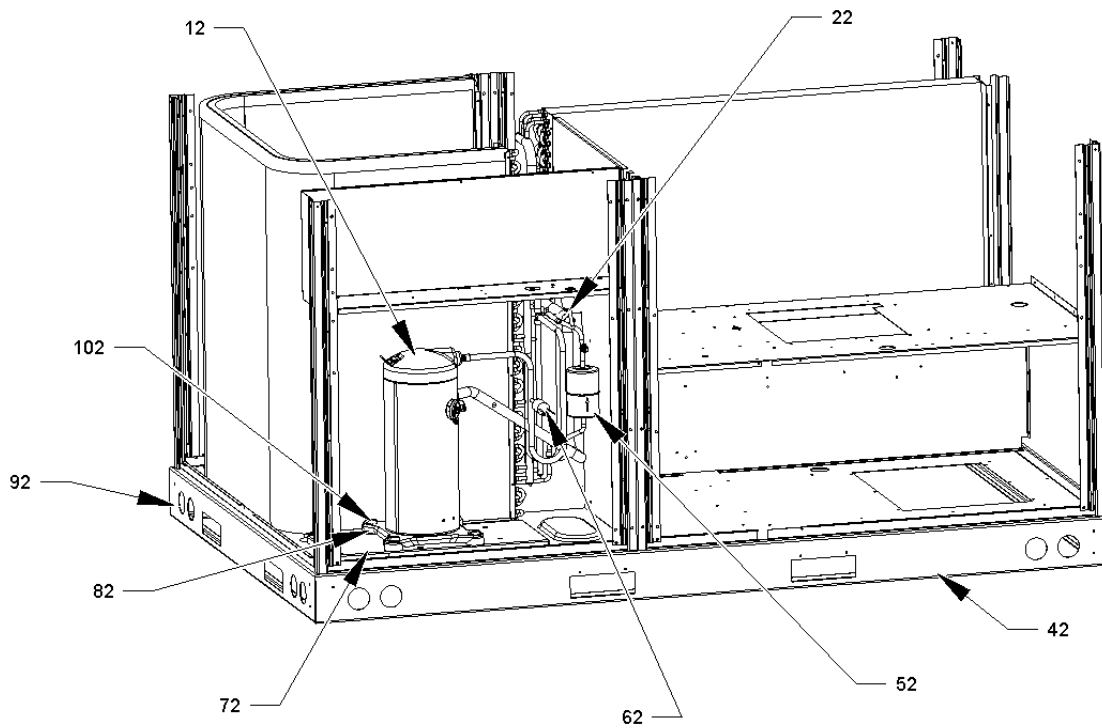


Image 2



Top Panel / Compressor / Tubing Assy

Ref. Part No: No:	Description:	Ref. Part No: No:	Description:
-------------------	--------------	-------------------	--------------

Image 1:

11	0270L00086	INSULATED ASSY, TOP PANEL
21	0131M00429	COND MOTOR 1/4 HP, 1 SP, 6 PL
31	0163M00006P	ACORN NUT 5/16 HEX BLACK (QTY 4)
41	0152G00003	FAN GRILLE
51	B1778800	PVC CONDUIT-1/2"
61	0150G00001	FAN BLADE
71	0161L00000	VENTURI RING 22"

Image 2:

12	ZP31K5EPFV130	COMPRESSOR 31100, 208/230/60/1 (M1, M2)
12	ZP31K5ETF5130	COMPRESSOR 31200, 200/230/60/3 (M3, M4, M5)
12	ZP39K5ETF5130	COMPRESSOR 39000, 200/230/60/3 (M8, M9)
12	ZP39K5EPFV130	COMPRESSOR 39000, 208/230/60/1 (M6, M7)
12	ZP51K5EPFV130	COMPRESSOR 51000, 208/230/60/1 (M10, M11)
12	ZP51K5ETF5130	COMPRESSOR 51000, 208/230/60/3 (M12, M13)
22	0130L00007	CUT-OUT SWITCH, LOW PRESSURE
42	0121L00244	SIDE RAIL (QTY 4)
52	0162R00009	FILTER DRIER (M10, M11, M12, M13)
52	B1219225	SINGLE-FLOW FILTER DRIER, STEEL (M1, M2, M3, M4, M5, M6, M7, M8, M9)
62	0130M00055	CUT-OUT SWITCH, HIGH PRESSURE (M10, M11, M12, M13)
62	0130M00209	CUT-OUT SWITCH, HIGH PRESSURE (M1, M2, M3, M4, M5, M6, M7, M8, M9)
72	0121L00310	COMPRESSOR MOUNTING PLATE
82	B1339533	COMPRESSOR GROMMET (QTY 4)
92	0121L00245	END RAIL (QTY 2)
102	M0221641	TF SHOULDER SCREW (QTY 4)
NS	0159L00027	COMPRESSOR SCROLL HARNESS (M1, M2, M6, M7, M10, M11)
NS	0159L00028	COMPRESSOR SCROLL HARNESS (M3, M4, M5, M8, M9, M12, M13)

Expanded Model Nomenclature

M1 - CPC036XXX1DXJXBA
M2 - CPC036XXX1DXXXBA
M3 - CPC036XXX3DXJXBA
M4 - CPC036XXX3DXXXBA
M5 - CPC0360103DHXCBA
M6 - CPC048XXX1DXJXBA
M7 - CPC048XXX1DXXXBA
M8 - CPC048XXX3DXJXBA
M9 - CPC048XXX3DXXXBA
M10 - CPC060XXX1DXJXBA
M11 - CPC060XXX1DXXXBA
M12 - CPC060XXX3DXJXBA
M13 - CPC060XXX3DXXXBA

Cabinet Assy

Image 1

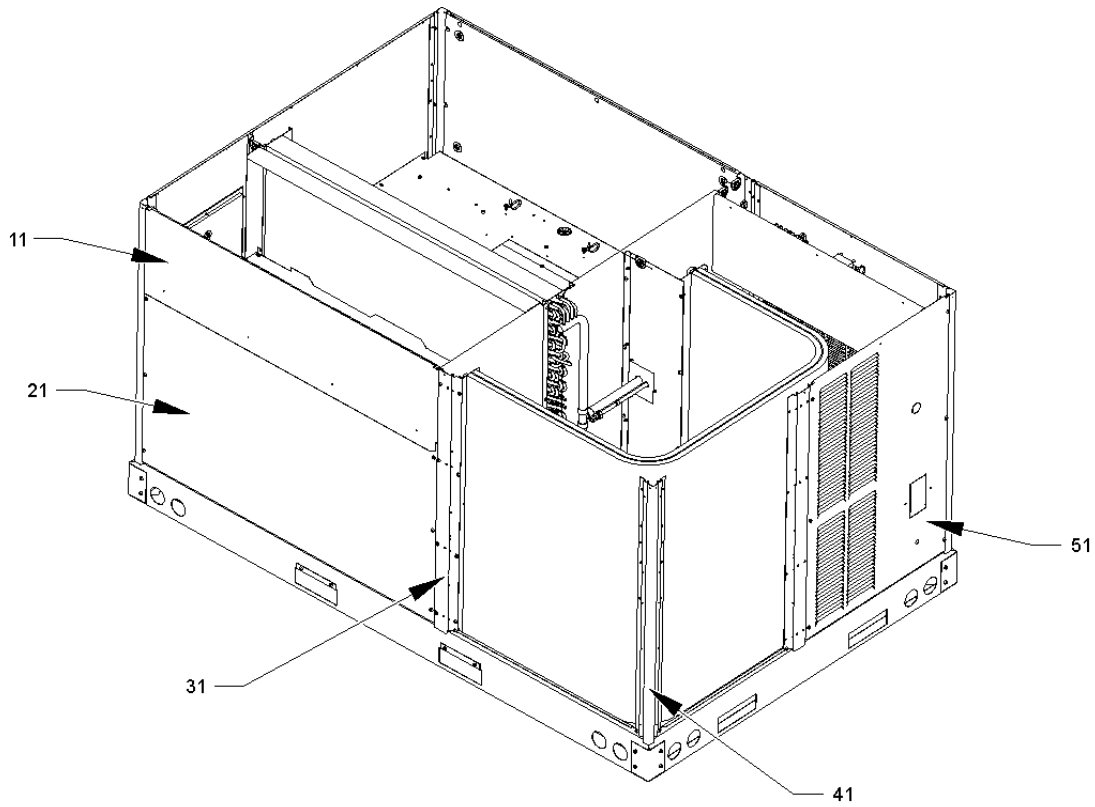
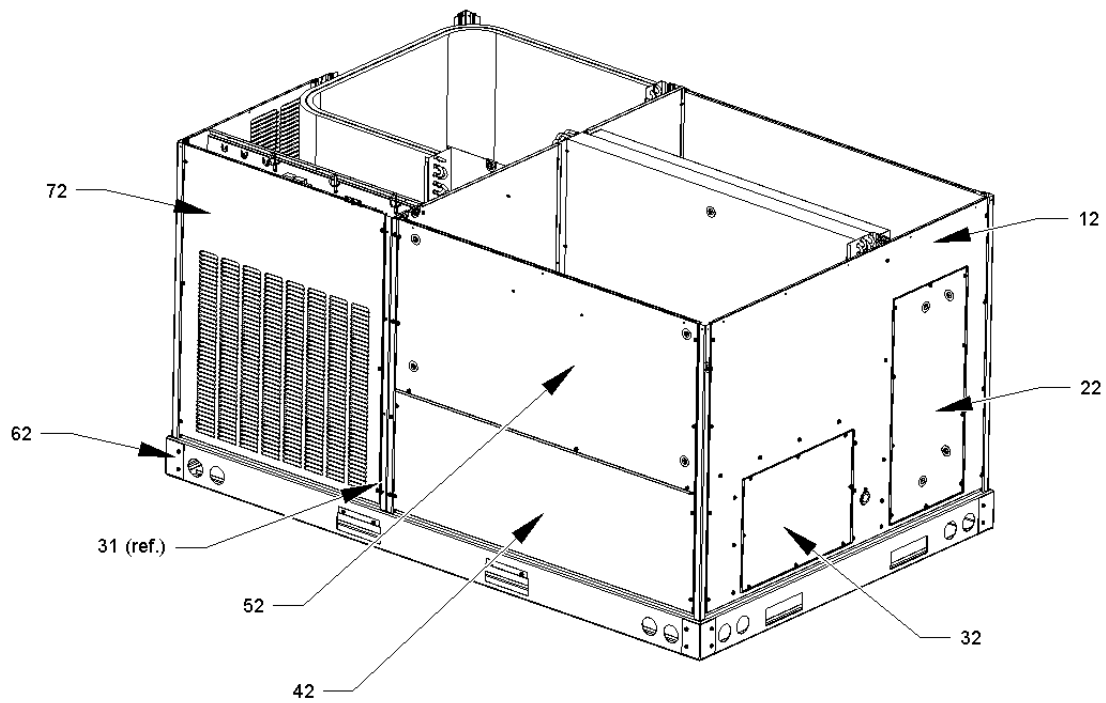


Image 2



Cabinet Assy

Ref. Part No: No:	Description:	Ref. Part No: No:	Description:
-------------------	--------------	-------------------	--------------

Image 1:

11	0270L00080	INSULATED ASSY, FILTER DOOR
21	0270L00081	INSULATED ASSY, ECONOMIZER DOOR
31	0121L00233RFDG	POST-SIDE SUPPORT (QTY 3)
41	0121L00237RFDG	CORNER POST (QTY 4)
51	0121L00263DG	LOUVERED COMPRESSOR PANEL

Image 2:

12	0270L00079	INSULATED ASSY, DUCT PANEL
22	0270L00011	INSULATED ASSY, RETURN DUCT
32	0270L00012	INSULATED ASSY, SUPPLY DUCT
42	0121L00279DG	ELECTRIC HEAT DOOR
52	0270L00084	INSULATED ASSY, BLOWER DOOR
62	0121G00301	RAIL CORNER BRACKET (QTY 4)
72	0121L00262DG	LOUVERED CONTROL PANEL

Expanded Model Nomenclature

- M1 - CPC036XXX1DXJXBA
- M2 - CPC036XXX1DXXXBA
- M3 - CPC036XXX3DXJXBA
- M4 - CPC036XXX3DXXXBA
- M5 - CPC0360103DHXCBA
- M6 - CPC048XXX1DXJXBA
- M7 - CPC048XXX1DXXXBA
- M8 - CPC048XXX3DXJXBA
- M9 - CPC048XXX3DXXXBA
- M10 - CPC060XXX1DXJXBA
- M11 - CPC060XXX1DXXXBA
- M12 - CPC060XXX3DXJXBA
- M13 - CPC060XXX3DXXXBA

Partion Assy / Condenser / Evaporator

Image 1

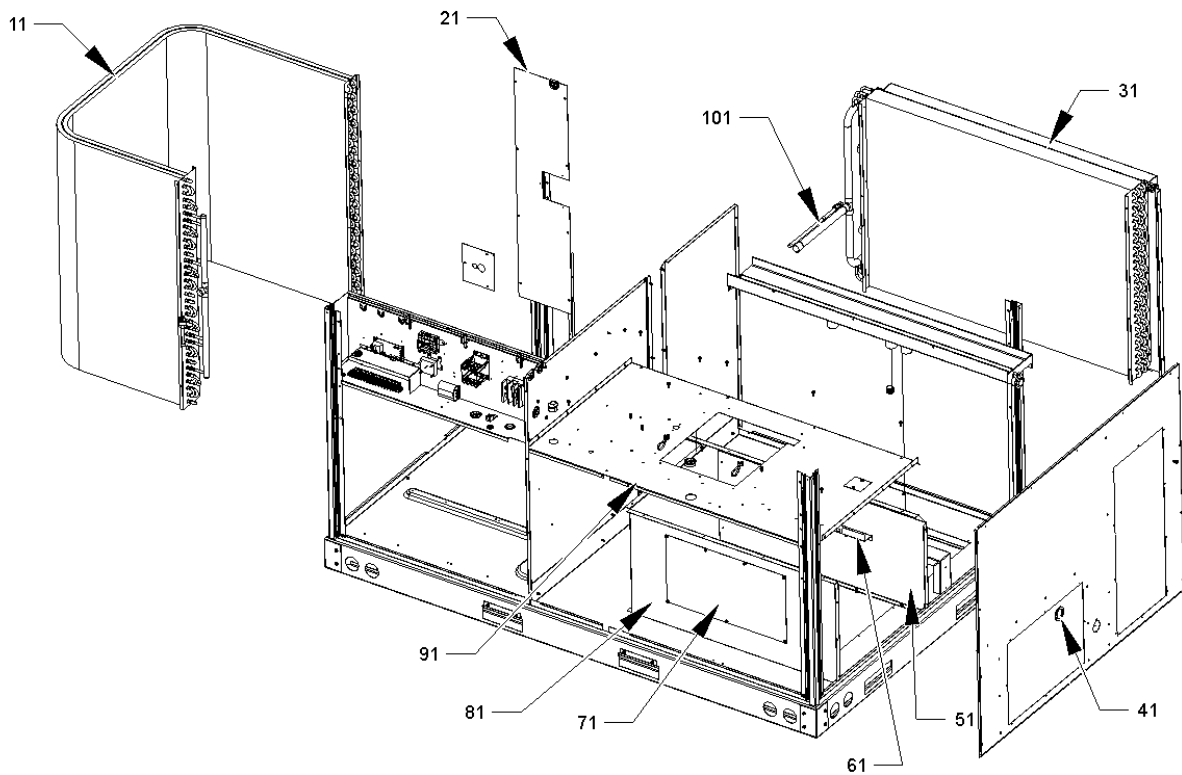
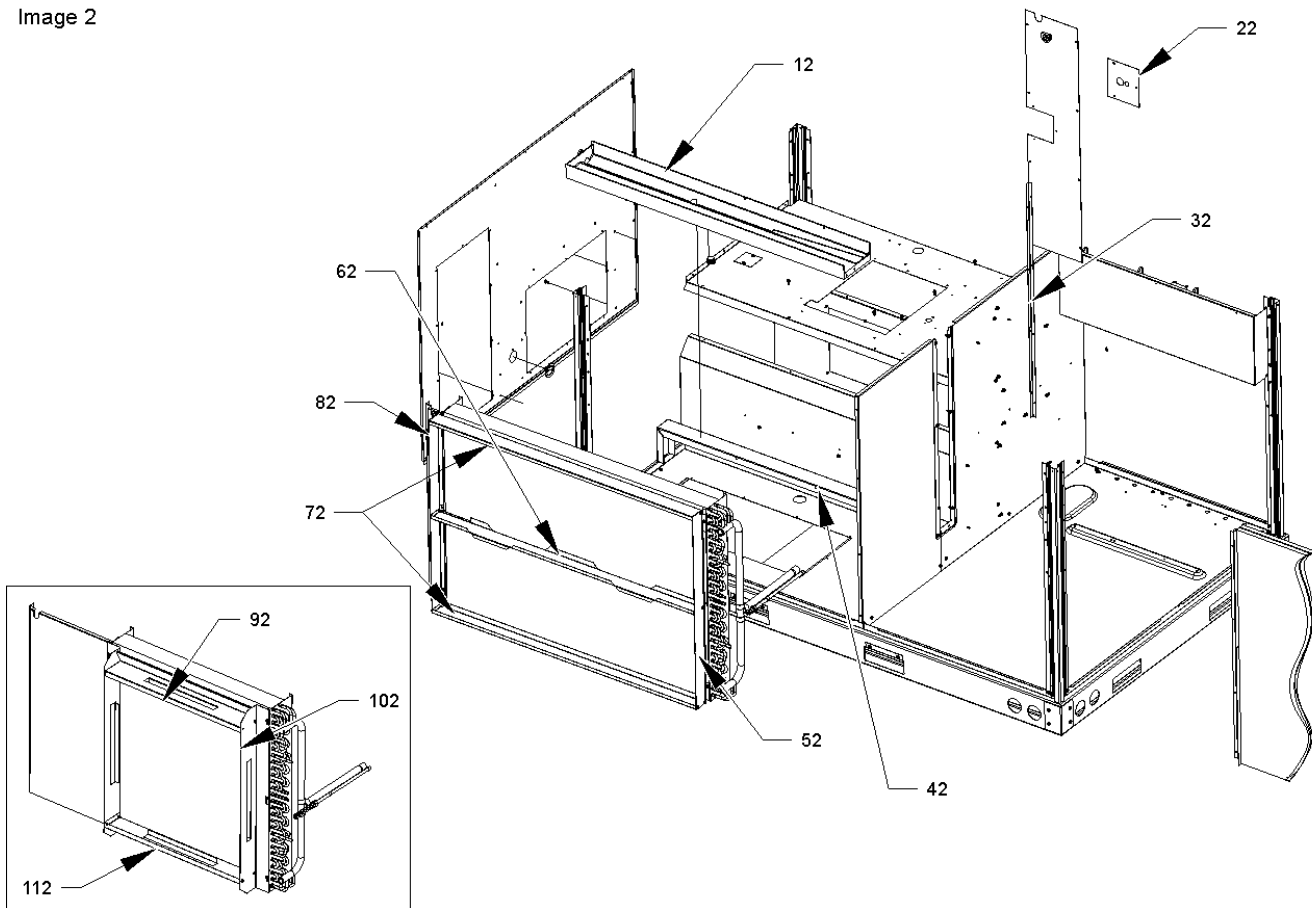


Image 2



Partion Assy / Condenser / Evaporator

Ref. Part No: No:	Description:	Ref. Part No: No:	Description:
-------------------	--------------	-------------------	--------------

Image 1:

11	0201L00034	TUBING ASSY, COND COIL (M11, M13)
11	0201L00036	TUBING ASSY, COND COIL (M2, M4, M5, M7, M9)
11	0201L00041	TUBING ASSY, COND COIL (M10, M12)
11	0201L00045	TUBING ASSY, COND COIL (M1, M3, M6, M8)
21	0121L00311	COND BLOCK-OFF
31	0202L00020	TUBING ASSY, EVAP COIL (M10, M11, M12, M13)
31	0202L00024	TUBING ASSY, EVAP COIL (M1, M2, M3, M4, M5)
31	0202L00029	TUBING ASSY, EVAP COIL (M6, M7, M8, M9)
41	0154L00009	DRAIN PAN GASKET
51	0121L00243	DECK SIDE CHANNEL
61	0121L00288	ELECTRIC HEAT RETAINER
71	0121L00144	ELECTRIC HEAT COVER (M5)
81	0121L00256	ELECTRIC HEAT PANEL
91	0121L00981	DECK BLOWER
101	0162M00108	FLOWRATOR .076 (M6, M7, M8, M9)
101	0162L00012	FLOWRATOR [EVAP] (M10, M11, M12, M13)
101	0162M00078	FLOWRATOR [EVAP] (M1, M2, M3, M4, M5)

Image 2:

12	0161L00005	DRAIN PAN
22	0121L00939	PLATE-CONDENSER BLOCKOFF
32	0121L00254	COND MOUNTING ANGLE
42	0121L00238	DRAIN PAN SUPPORT
52	0121L00287	FILTER ANGLE-VERTICAL (RETURN SIDE) (M6, M7, M8, M9, M10, M11, M12, M13)
62	0121L00298	FILTER ANGLE-HORIZONTAL (CENTER) (M6, M7, M8, M9, M10, M11, M12, M13)
72	0121L00932	FILTER ANGLE-HORIZONTAL (M6, M7, M8, M9, M10, M11, M12, M13)
92	0121L00290	FILTER ANGLE-TOP (M1, M2, M3, M4, M5)
102	0121L00292	FILTER ANGLE-VERTICAL (M1, M2, M3, M4, M5)
112	0121L00291	FILTER ANGLE-BOTTOM (M1, M2, M3, M4, M5)
NS	0160L00008	FILTER 14 X 20 X 2 (M6, M7, M8, M9, M10, M11, M12, M13)
NS	0160L00046	FILTER 24 X 24 (M1, M2, M3, M4, M5)

Expanded Model Nomenclature

M1 - CPC036XXX1DXJXBA
M2 - CPC036XXX1DXXXBA
M3 - CPC036XXX3DXJXBA
M4 - CPC036XXX3DXXXBA
M5 - CPC0360103DHXCBA
M6 - CPC048XXX1DXJXBA
M7 - CPC048XXX1DXXXBA
M8 - CPC048XXX3DXJXBA
M9 - CPC048XXX3DXXXBA
M10 - CPC060XXX1DXJXBA
M11 - CPC060XXX1DXXXBA
M12 - CPC060XXX3DXJXBA
M13 - CPC060XXX3DXXXBA

Blower Assy

Image 1

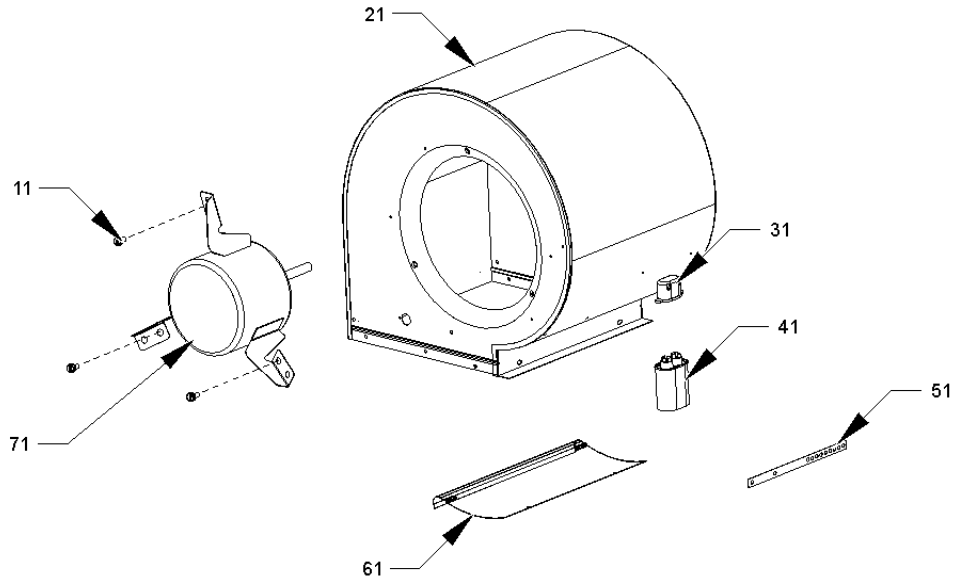
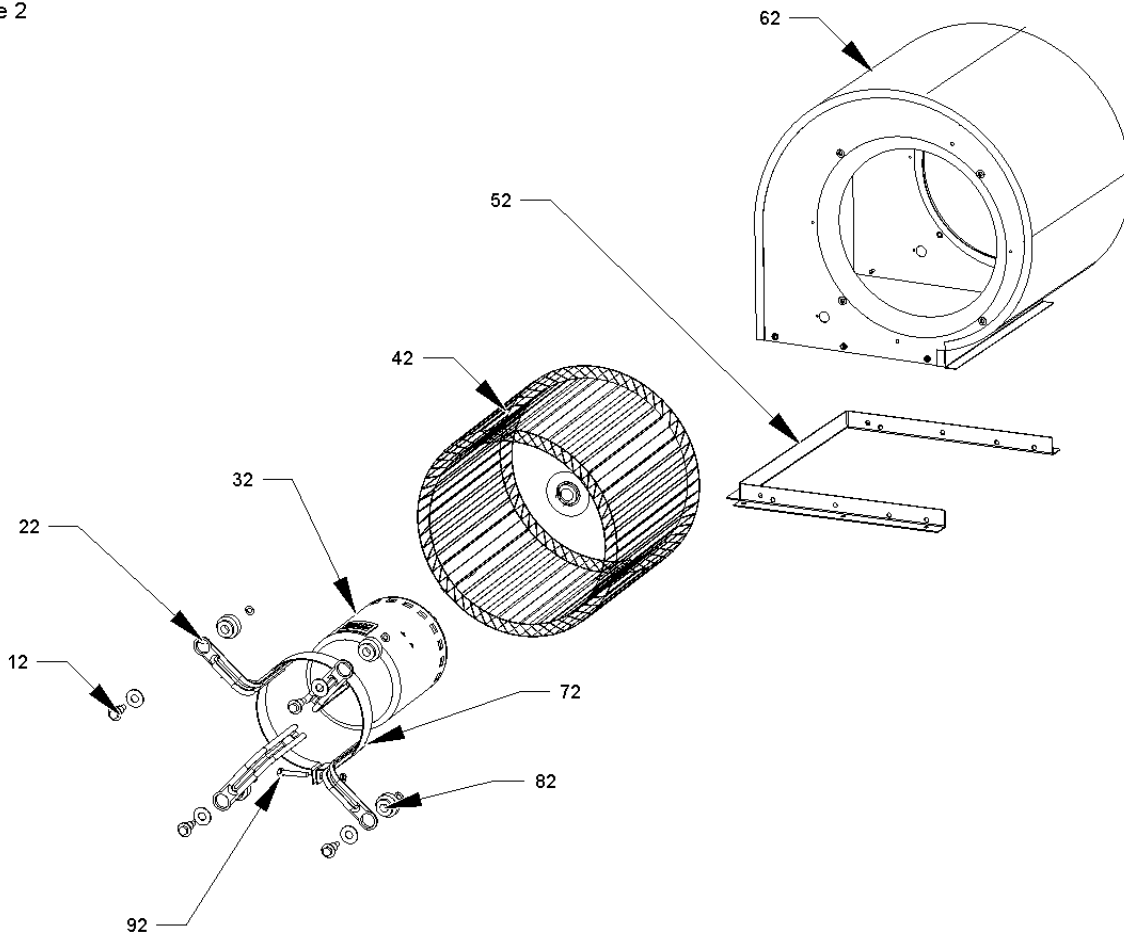


Image 2



Blower Assy

Ref. Part No: No:	Description:	Ref. Part No: No:	Description:
-------------------	--------------	-------------------	--------------

Image 1:

11	M0250558	TC SCREW (M1, M2, M3, M4, M5, M6, M7, M8, M9)
21	11185817	BLOWER HOUSING (M1, M2, M3, M4, M5, M6, M7, M8, M9)
31	B821700	CAPACITOR BOOT (M1, M2, M3, M4, M5, M6, M7, M8, M9)
41	CAP100000370LA	CAPACITOR 10/370V (M1, M2, M3, M4, M5)
41	CAP150000370LA	CAPACITOR 15/370V (M6, M7, M8, M9)
51	20520901	CAPACITOR STRAP (QTY 4)
61	C6121806	BLOWER CUT-OFF (M1, M2, M3, M4, M5, M6, M7, M8, M9)
71	0131M00126	BLOWER MOTOR (M1, M2, M3, M4, M5)
71	0131M00127	BLOWER MOTOR (M6, M7, M8, M9)

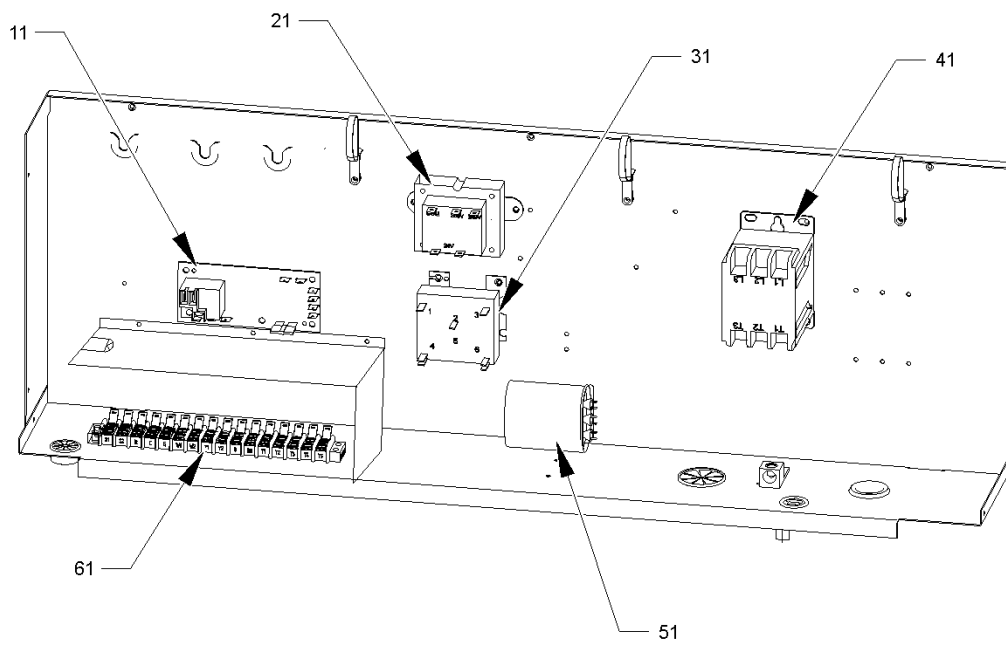
Image 2:

12	M0221461	TC SCREW (M10, M11, M12, M13)
22	10441501	MOTOR MOUNT ARM (M10, M11, M12, M13)
32	0131M00521	BLOWER MOTOR 1 HP (M10, M11, M12, M13)
42	D6723303	BLOWER WHEEL (M1, M2, M3, M4, M5, M6, M7, M8, M9)
42	B1368000	BLOWER WHEEL 11 X 10 (M10, M11, M12, M13)
52	0121L00281	BLOWER MOUNTING ANGLE (M10, M11, M12, M13)
52	0121L00308	BLOWER MOUNTING ANGLE (M1, M2, M3, M4, M5, M6, M7, M8, M9)
62	11185811	BLOWER HOUSING 11 X 10 (M10, M11, M12, M13)
72	10441601	MOTOR MOUNT BAND (M10, M11, M12, M13)
82	A4002702	BLOWER MOTOR GROMMET (M10, M11, M12, M13)
92	M0267144	MACHINE SCREW (M10, M11, M12, M13)

Expanded Model Nomenclature

M1 - CPC036XXX1DXJXBA
M2 - CPC036XXX1DXXXBA
M3 - CPC036XXX3DXJXBA
M4 - CPC036XXX3DXXXBA
M5 - CPC0360103DHXCBA
M6 - CPC048XXX1DXJXBA
M7 - CPC048XXX1DXXXBA
M8 - CPC048XXX3DXJXBA
M9 - CPC048XXX3DXXXBA
M10 - CPC060XXX1DXJXBA
M11 - CPC060XXX1DXXXBA
M12 - CPC060XXX3DXJXBA
M13 - CPC060XXX3DXXXBA

Control Box Assy



Control Box Assy

Ref. Part No:	No:	Description:	Ref. Part No:	No:	Description:
Image 1:					
11	PCBFM103	ELECTRONIC BLOWER TIME DELAY (M1, M2, M3, M4, M5, M6, M7, M8, M9)			
21	0130M00138	TRANSFORMER 208/230, 24V			
31	0130M00025	24V RELAY (M1, M2, M3, M4, M5, M6, M7, M8, M9)			
41	CONT3P025024V	CONTACTOR 25 AMP, 3P, 24V (M3, M4, M5, M8, M9)			
41	CONT1P030024V	CONTACTOR 30 AMP, 1P, 24V (M1, M2, M6, M7)			
41	CONT3P030024V	CONTACTOR 30 AMP, 3P, 24V (M12, M13)			
41	CONT2P040024V	CONTACTOR 40 AMP, 2P, 24V (M10, M11)			
51	CAP050000370LA	CAPACITOR 5/370V (M3, M4, M5, M8, M9, M12, M13)			
51	CAP050450440CT	CAPACITOR 5/45/440V (M1, M2, M6, M7)			
51	CAP050700440CT	CAPACITOR 5/70/440V (M10, M11)			
61	0130M00038	TERMINAL BOARD			
NS	20520901	CAPACITOR STRAP			
NS	0130M00127	MOTOR POWER HARNESS (M10, M11, M12, M13)			
NS	0259L00079	WIRE HARNESS, EVAP MOTOR (M1, M2, M3, M4, M5, M6, M7, M8, M9)			
NS	0259L00080	WIRE HARNESS-CONTROL (M1, M2, M3, M4, M5, M6, M7, M8, M9)			
NS	0259L00054	WIRING HARNESS			
NS	0259L00057	WIRING HARNESS			
NS	0259L00058	WIRING HARNESS (M10, M11, M12, M13)			
NS	0259L00059	WIRING HARNESS (M10, M11, M12, M13)			
NS	0259L00061	WIRING HARNESS (M1, M2, M3, M4, M5, M6, M7, M8, M9)			
NS	0130M00126	X-13 LOW VOLTAGE WIRE HARNESS (M10, M11, M12, M13)			

Expanded Model Nomenclature

M1 - CPC036XXX1DXJXBA
M2 - CPC036XXX1DXXXBA
M3 - CPC036XXX3DXJXBA
M4 - CPC036XXX3DXXXBA
M5 - CPC0360103DHXCBA
M6 - CPC048XXX1DXJXBA
M7 - CPC048XXX1DXXXBA
M8 - CPC048XXX3DXJXBA
M9 - CPC048XXX3DXXXBA
M10 - CPC060XXX1DXJXBA
M11 - CPC060XXX1DXXXBA
M12 - CPC060XXX3DXJXBA
M13 - CPC060XXX3DXXXBA

Accessory Parts List

Ref. Part No:	Part No:	Description:	Ref. Part No:	Part No:	Description:
---------------	----------	--------------	---------------	----------	--------------

Image 1:

NS	EHK3-10	10 KW 203-230/3 (M5)
NS	DSC060A38Y001FI	DISCONNECT MODULE ASSY (M5)
NS	LAKT01FIAC	LOW AMBIENT KIT (M5)

Expanded Model Nomenclature

M1 - CPC036XXX1DXJXBA
M2 - CPC036XXX1DXXXBA
M3 - CPC036XXX3DXJXBA
M4 - CPC036XXX3DXXXBA
M5 - CPC0360103DHXCBA
M6 - CPC048XXX1DXJXBA
M7 - CPC048XXX1DXXXBA
M8 - CPC048XXX3DXJXBA
M9 - CPC048XXX3DXXXBA
M10 - CPC060XXX1DXJXBA
M11 - CPC060XXX1DXXXBA
M12 - CPC060XXX3DXJXBA
M13 - CPC060XXX3DXXXBA