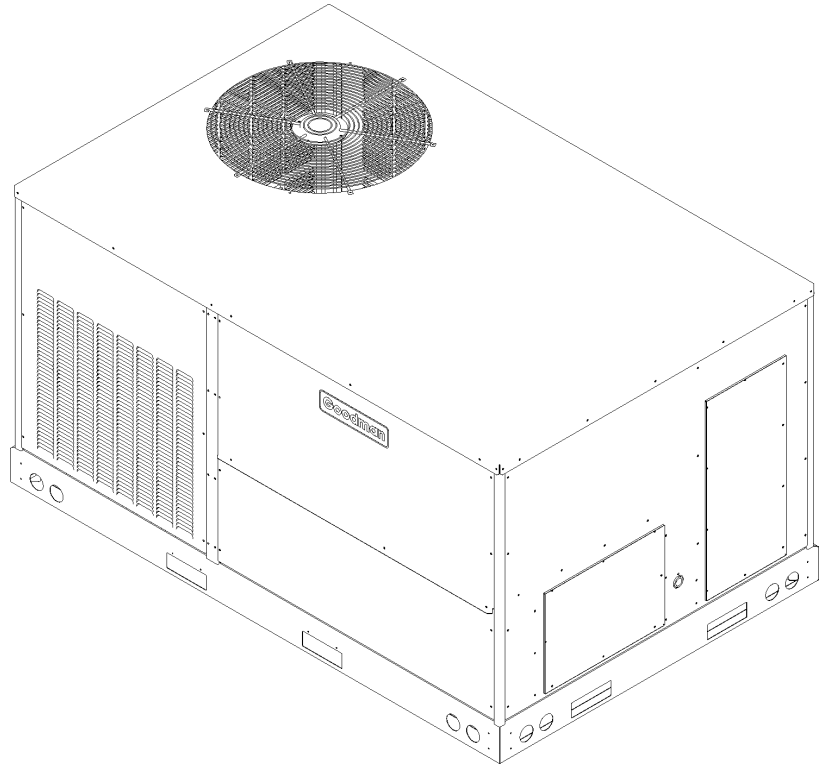


REPAIR PARTS

Commercial 3 - 6 Ton Package Cooling Units

CPC0360104BAXCBA
CPC0360104BXXABA
CPC036XXX3BXJXBA
CPC036XXX3BXXXBA
CPC036XXX4BXJXBA
CPC036XXX4BXXXBA
CPC036XXX4HXXXBA
CPC0480104BXXABA
CPC048XXX3BXJXBA
CPC048XXX3BXXXBA
CPC048XXX3HXXXBA
CPC048XXX4BXJXBA
CPC048XXX4BXXXBA
CPC048XXX7BXJXBA
CPC048XXX7BXXXBA
CPC060XXX3BXJXBA
CPC060XXX3BXXXBA
CPC060XXX4BXJXBA
CPC060XXX4BXXXBA
CPC060XXX7BXJXBA
CPC060XXX7BXXXBA
CPC0720104BAXCBA
CPC072XXX3BXJXBA
CPC072XXX3BXXXBA
CPC072XXX4BXJXBA
CPC072XXX4BXXXBA
CPC072XXX7BXJXBA
CPC072XXX7BXXXBA
CPC072XXX7HXXXBA



This manual is to be used by qualified technicians only.

This manual replaces RP-480D.

© 2008-2009,2012-2013, 2016 Goodman Manufacturing Company, L.P. ♦ 5151 San Felipe St., Suite 500 ♦ Houston, TX 77056

Important Information

Index

Functional Parts List	3
Illustration and Parts	4 - 15

Views shown are for parts illustrations only, not servicing procedures

Text Codes:

AR - As Required

NA - Not Available

NS - Not Shown

00000000 - See Note

QTY - Quantity Example (QTY 3) (If Quantity not shown, Quantity = 1)

M - Model Example (M1) (If M Code not shown, then part is used on all Models)

Expanded Model Nomenclature:

Example M1 - Model#1 M2 - Model#2 M3 - Model#3

Goodman Manufacturing Company, L.P. is not responsible for personal injury or property damage resulting from improper service. Review all service information before beginning repairs.

Warranty service must be performed by an authorized technician, using authorized factory parts. If service is required after the warranty expires, Goodman Manufacturing Company, L.P. also recommends contacting an authorized technician and using authorized factory parts.

Goodman Manufacturing Company, L.P. reserves the right to discontinue, or change at any time, specifications or designs without notice or without incurring obligations.

For assistance within the U.S.A. contact:
Consumer Affairs Department
Goodman Manufacturing Company, L.P.
7401 Security Way
Houston, Texas 77040
877-254-4729-Telephone
713-863-2382-Facsimile

For assistance outside the U.S.A. contact:
International Division
Goodman Manufacturing Company, L.P.
7401 Security Way
Houston, Texas 77040
713-861-2500-Telephone
713-863-2382-Facsimile

Functional Parts

Part

No: Description:

0131L00003	BELT DRIVE MOTOR 1 HP (M1, M2, M3, M4, M6, M7, M8, M9, M11, M12, M15, M16, M17, M18, M19)
B3240007	BELT DRIVE MOTOR 1.5 HP (M5, M10, M22, M23, M24, M25, M29)
0131L00005	BELT DRIVE MOTOR 2 HP 575 V (M28)
0131L00004	BELT DRIVE MOTOR-1.5 HP 575 (M13, M14, M20, M21, M26, M27)
CAP050000370VA	CAPACITOR 5/370V
ZP31K5ETF5130	COMPRESSOR 31200, 200/230/60/3 (M1, M2)
ZP31K5ETFD130	COMPRESSOR 31200, 460/60/3 (M3, M4, M5, M6, M7)
ZP39K5ETF5130	COMPRESSOR 39000, 200/230/60/3 (M8, M9, M10)
ZP39K5ETFD130	COMPRESSOR 39000, 460/60/3 (M11, M12, M15)
ZP39K5ETFE130	COMPRESSOR 39000, 575/60/3 (M13, M14)
ZP51K5ETF5130	COMPRESSOR 51000, 208/230/60/3 (M16, M17)
ZP51K5ETFD130	COMPRESSOR 51000, 460/60/3 (M18, M19)
ZP51K5ETFE130	COMPRESSOR 51000, 575/60/3 (M20, M21)
ZP61KCETF5130	COMPRESSOR 61500, 200/230/60/3 (M22, M23)
ZP61KCEFD130	COMPRESSOR 61500, 460/60/3 (M24, M25, M29)
ZP61KCETFE130	COMPRESSOR 61500, 575/60/3 (M26, M27, M28)
0131M00008P	COND MOTOR 1/3 HP, 1 SP, 6 PL (M22, M23)
B13400249	COND MOTOR 1/3 HP, 460V (M24, M25, M29)
0131M00179	COND MOTOR 1/3 HP, 6 PL, 575V (M26, M27, M28)
0131M00007P	COND MOTOR 1/4 HP, 1 SP, 6 PL (M1, M2, M8, M9, M10, M16, M17)
B13400269	COND MOTOR 380/460 50/60 CYCLE (M3, M4, M5, M6, M7, M11, M12, M15, M18, M19)
0131M00098	COND MOTOR 575V (M13, M14, M20, M21)
CONT3P025024V	CONTACTOR 25 AMP, 3P, 24V (M3, M4, M5, M6, M7, M11, M12, M13, M14, M15, M18, M19, M20, M21, M24, M25, M26, M27, M28, M29)
CONT3P030024V	CONTACTOR 30 AMP, 3P, 24V (M1, M2, M8, M9, M10, M16, M17, M22, M23)
0130M00055	CUT-OUT SWITCH, HIGH PRESSURE
0130L00007	CUT-OUT SWITCH, LOW PRESSURE
0164L00010	FAN BELT, NOTCHED
0150G00001	FAN BLADE (M1, M2, M3, M4, M5, M6, M7, M8, M9, M10, M11, M12, M13, M14, M15, M16, M17, M18, M19, M20, M21, M26, M27, M28)
B1086765	FAN BLADE TYPE 3 (M22, M23, M24, M25, M29)
B2120011	FIXED SHEAVE (M1, M2, M3, M4, M6, M7)
0163L00031	FIXED SHEAVE AK59 (M22, M23, M24, M25, M26, M27, M28, M29)
B3204303	FIXED SHEAVE AK61 (M5, M16, M17, M18, M19, M20, M21)
B3204310	FIXED SHEAVE AK66 (M8, M9, M10, M11, M12, M13, M14, M15)
PCBFM131	PCB, TIME DELAY
B1141643	TRANSFORMER 208/230, 24V (M1, M2, M8, M9, M10, M16, M17, M22, M23)
B1141653	TRANSFORMER 480V, 75VA, RESETTABLE (M3, M4, M5, M6, M7, M11, M12, M15, M18, M19, M24, M25, M29)
0163L00024	VARIABLE PITCH SHEAVE 1VL40 X 5/8" (M1, M2, M3, M4, M6, M7)

B2120001	VARIABLE PITCH SHEAVE 1VL44 X 3/8" (M8, M9, M10, M11, M12, M13, M14, M15, M16, M17, M18, M19, M20, M21, M26, M27, M28)
B2120014	VARIABLE PITCH SHEAVE 1VL44 X 7/8" (M5, M22, M23, M24, M25, M29)

SPECIAL PARTS

B1369608	AIR FILTER 20 X 16 X 2 (M22, M23, M24, M25, M26, M27, M28, M29)
0160L00008	FILTER 14 X 20 X 2 (M8, M9, M10, M11, M12, M13, M14, M15, M16, M17, M18, M19, M20, M21)
0160L00046	FILTER 24 X 24 (M1, M2, M3, M4, M5, M6, M7)

Expanded Model Nomenclature

M1 - CPC036XXX3BXJXBA
M2 - CPC036XXX3BXXBA
M3 - CPC036XXX4BXJXBA
M4 - CPC036XXX4BXXBA
M5 - CPC036XXX4HXXBA
M6 - CPC0360104BAXCBA
M7 - CPC0360104BXXABA
M8 - CPC048XXX3BXJXBA
M9 - CPC048XXX3BXXBA
M10 - CPC048XXX3HXXBA
M11 - CPC048XXX4BXJXBA
M12 - CPC048XXX4BXXBA
M13 - CPC048XXX7BXJXBA
M14 - CPC048XXX7BXXBA
M15 - CPC0480104BXXABA
M16 - CPC060XXX3BXJXBA
M17 - CPC060XXX3BXXBA
M18 - CPC060XXX4BXJXBA
M19 - CPC060XXX4BXXBA
M20 - CPC060XXX7BXJXBA
M21 - CPC060XXX7BXXBA
M22 - CPC072XXX3BXJXBA
M23 - CPC072XXX3BXXBA
M24 - CPC072XXX4BXJXBA
M25 - CPC072XXX4BXXBA
M26 - CPC072XXX7BXJXBA
M27 - CPC072XXX7BXXBA
M28 - CPC072XXX7HXXBA
M29 - CPC0720104BAXCBA

Top Panel/Tubing Assy

Image 1

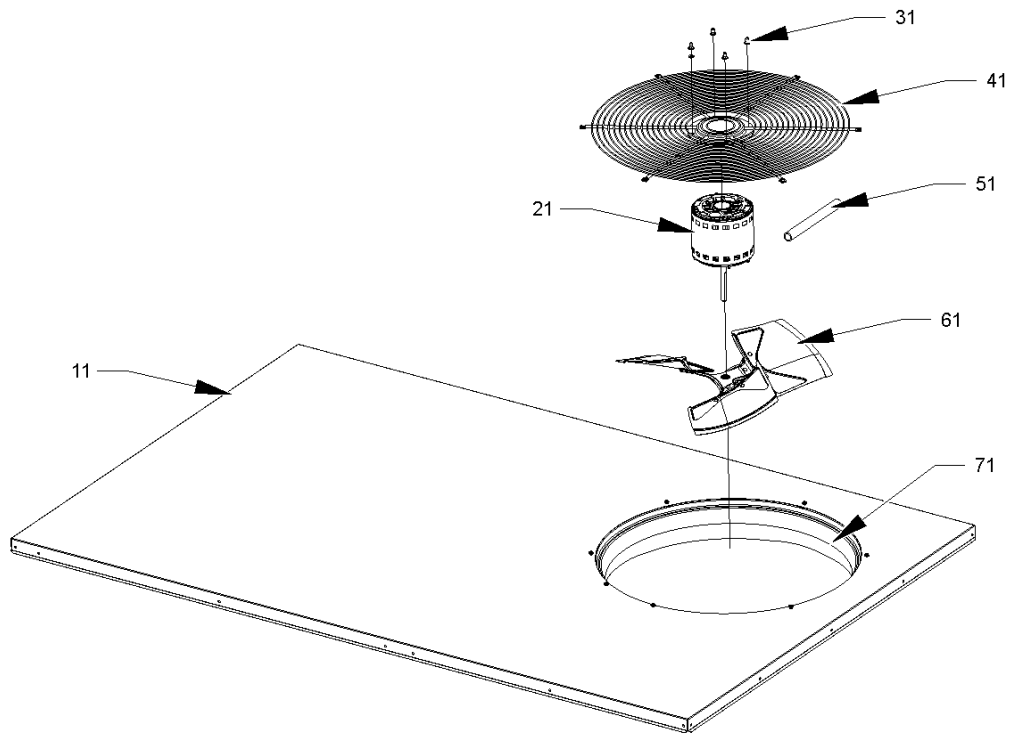
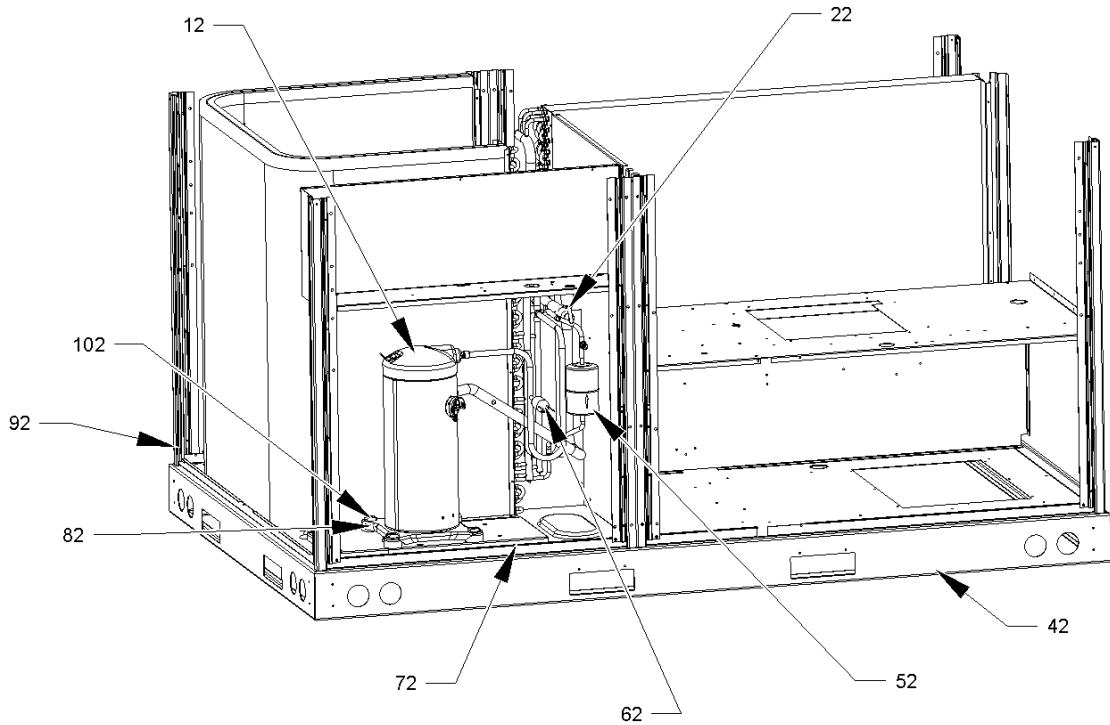


Image 2



Top Panel/Tubing Assy

Ref. Part No: No:	Description:	Ref. Part No: No:	Description:
Image 1:		Expanded Model Nomenclature	
11	0270L00086 INSULATED ASSY, TOP PANEL	M1	- CPC036XXX3BXJXBA
21	0131M00008P COND MOTOR 1/3 HP, 1 SP, 6 PL (M22, M23)	M2	- CPC036XXX3BXXXBA
21	B13400249 COND MOTOR 1/3 HP, 460V (M24, M25, M29)	M3	- CPC036XXX4BXJXBA
21	0131M00179 COND MOTOR 1/3 HP, 6 PL, 575V (M26, M27, M28)	M4	- CPC036XXX4BXXXBA
21	0131M00007P COND MOTOR 1/4 HP, 1 SP, 6 PL (M1, M2, M8, M9, M10, M16, M17)	M5	- CPC036XXX4HXXXBA
21	B13400269 COND MOTOR 380/460 50/60 CYCLE (M3, M4, M5, M6, M7, M11, M12, M15, M18, M19)	M6	- CPC0360104BAXCBA
21	0131M00098 COND MOTOR 575V (M13, M14, M20, M21)	M7	- CPC0360104BXXABA
31	0163M00006P ACORN NUT 5/16 HEX BLACK (QTY 4)	M8	- CPC048XXX3BXJXBA
41	0152G00002 GRILLE-FAN	M9	- CPC048XXX3BXXXBA
51	17788000083F PVC CONDUIT 8.25"	M10	- CPC048XXX3HXXXBA
61	0150G00001 FAN BLADE (M1, M2, M3, M4, M5, M6, M7, M8, M9, M10, M11, M12, M13, M14, M15, M16, M17, M18, M19, M20, M21, M26, M27, M28)	M11	- CPC048XXX4BXJXBA
61	B1086765 FAN BLADE TYPE 3 (M22, M23, M24, M25, M29)	M12	- CPC048XXX4BXXXBA
71	0161L00000 VENTURI RING 22"	M13	- CPC048XXX7BXJXBA
Image 2:		M14	- CPC048XXX7BXXXBA
12	ZP31K5ETF5130 COMPRESSOR 31200, 200/230/60/3 (M1, M2)	M15	- CPC0480104BXXABA
12	ZP31K5ETFD130 COMPRESSOR 31200, 460/60/3 (M3, M4, M5, M6, M7)	M16	- CPC060XXX3BXJXBA
12	ZP39K5ETF5130 COMPRESSOR 39000, 200/230/60/3 (M8, M9, M10)	M17	- CPC060XXX3BXXXBA
12	ZP39K5ETFD130 COMPRESSOR 39000, 460/60/3 (M11, M12, M15)	M18	- CPC060XXX4BXJXBA
12	ZP39K5ETFE130 COMPRESSOR 39000, 575/60/3 (M13, M14)	M19	- CPC060XXX4BXXXBA
12	ZP51K5ETF5130 COMPRESSOR 51000, 208/230/60/3 (M16, M17)	M20	- CPC060XXX7BXJXBA
12	ZP51K5ETFD130 COMPRESSOR 51000, 460/60/3 (M18, M19)	M21	- CPC060XXX7BXXXBA
12	ZP51K5ETFE130 COMPRESSOR 51000, 575/60/3 (M20, M21)	M22	- CPC072XXX3BXJXBA
12	ZP61KCETF5130 COMPRESSOR 61500, 200/230/60/3 (M22, M23)	M23	- CPC072XXX3BXXXBA
12	ZP61KETF5130 COMPRESSOR 61500, 460/60/3 (M24, M25, M29)	M24	- CPC072XXX4BXJXBA
12	ZP61KETF5130 COMPRESSOR 61500, 575/60/3 (M26, M27, M28)	M25	- CPC072XXX4BXXXBA
22	0130L00007 CUT-OUT SWITCH, LOW PRESSURE	M26	- CPC072XXX7BXJXBA
42	0121L00244RF SIDE RAIL (QTY 2)	M27	- CPC072XXX7BXXXBA
52	20485201 BI-FLOW FILTER DRIER (M22, M23, M24, M25, M26, M27, M28, M29)	M28	- CPC072XXX7HXXXBA
52	0162R00009 FILTER DRIER (M16, M17, M18, M19, M20, M21)	M29	- CPC0720104BAXCBA
52	B1219225 SINGLE-FLOW FILTER DRIER, STEEL (M1, M2, M3, M4, M5, M6, M7, M8, M9, M10, M11, M12, M13, M14, M15)		
62	0130M00055 CUT-OUT SWITCH, HIGH PRESSURE		
72	0121L00310 COMPRESSOR MOUNTING PLATE		
82	B1339533 COMPRESSOR GROMMET (QTY 4)		
92	0121L00245 END RAIL (QTY 2)		
102	M0221641 TF SHOULDER SCREW (QTY 4)		
NS	0159L00028 COMPRESSOR SCROLL HARNESS		

Cabinet Assy

Image 1

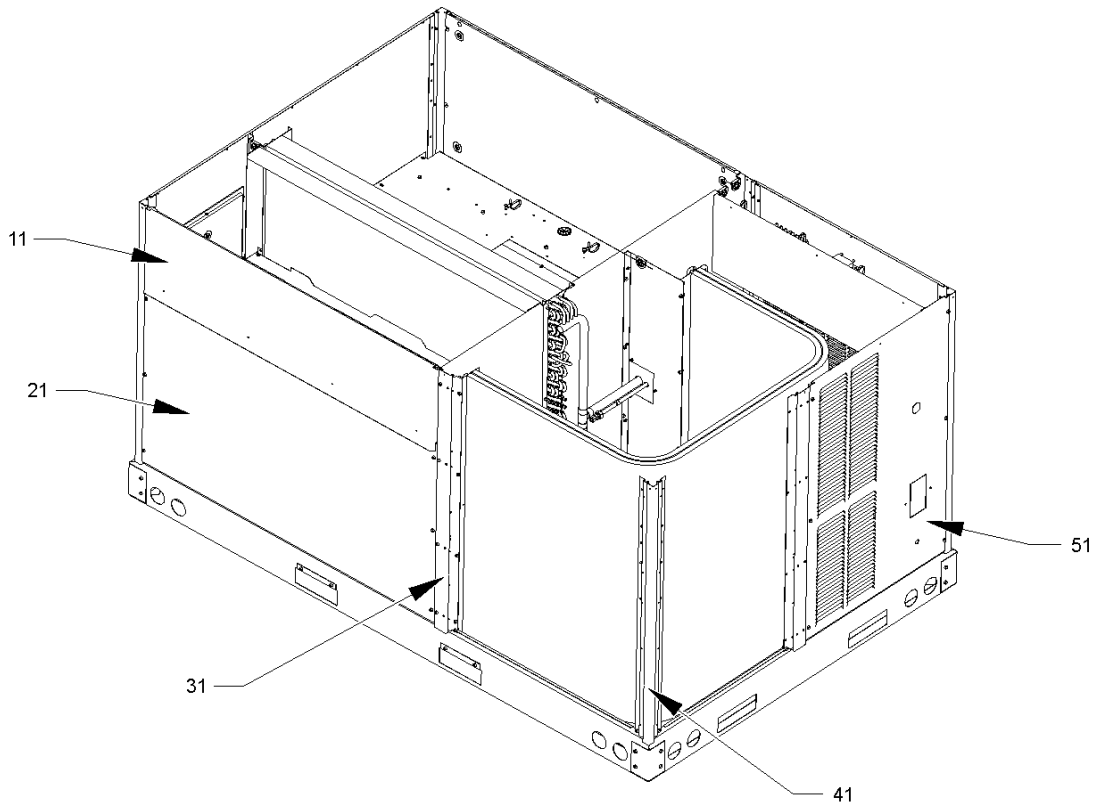
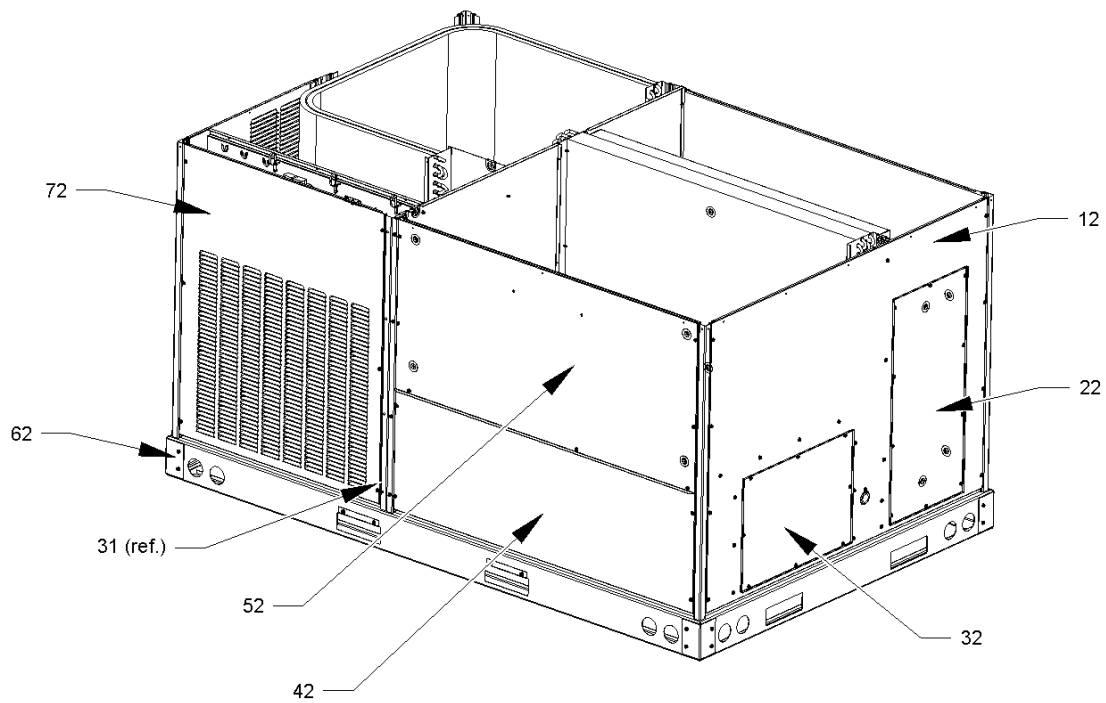


Image 2



Cabinet Assy

Ref. Part No: No:	Description:	Ref. Part No: No:	Description:
Image 1:		Expanded Model Nomenclature	
11	0270L00080 INSULATED ASSY, FILTER DOOR (M1, M2, M3, M4, M5, M6, M7, M8, M9, M10, M11, M12, M13, M14, M15, M16, M17, M18, M19, M20, M21)	M1 - CPC036XXX3BXJXBA	
11	0270L00139 INSULATED ASSY, FILTER DOOR (M22, M23, M24, M25, M26, M27, M28, M29)	M2 - CPC036XXX3BXXXBA	
21	0270L00081 INSULATED ASSY, ECONOMIZER DOOR	M3 - CPC036XXX4BXJXBA	
31	0121L00233RFDG POST-SIDE SUPPORT (M1, M2, M3, M4, M5, M6, M7, M8, M9, M10, M11, M12, M13, M14, M15, M16, M17, M18, M19, M20, M21)	M4 - CPC036XXX4BXXXBA	
31	0121L00343RFDG POST-SIDE SUPPORT (M22, M23, M24, M25, M26, M27, M28, M29)	M5 - CPC036XXX4HXXXBA	
41	0121L00237RFDG CORNER POST (M1, M2, M3, M4, M5, M6, M7, M8, M9, M10, M11, M12, M13, M14, M15, M16, M17, M18, M19, M20, M21)	M6 - CPC0360104BAXCBA	
41	0121L00344RFDG CORNER POST (M22, M23, M24, M25, M26, M27, M28, M29)	M7 - CPC0360104BXXABA	
51	0121L00263DG LOUVERED COMPRESSOR PANEL (M1, M2, M3, M4, M5, M6, M7, M8, M9, M10, M11, M12, M13, M14, M15, M16, M17, M18, M19, M20, M21)	M8 - CPC048XXX3BXJXBA	
51	0121L00354DG LOUVERED COMPRESSOR PANEL (M22, M23, M24, M25, M26, M27, M28, M29)	M9 - CPC048XXX3BXXXBA	
NS	0121L00321 SMOKE DETECTOR COVER	M10 - CPC048XXX3HXXXBA	
Image 2:		M11 - CPC048XXX4BXJXBA	
12	0270L00079 INSULATED ASSY, DUCT PANEL (M1, M2, M3, M4, M5, M6, M7, M8, M9, M10, M11, M12, M13, M14, M15, M16, M17, M18, M19, M20, M21)	M12 - CPC048XXX4BXXXBA	
12	0270L00145 INSULATED ASSY, DUCT PANEL (M22, M23, M24, M25, M26, M27, M28, M29)	M13 - CPC048XXX7BXJXBA	
22	0270L00011 INSULATED ASSY, RETURN DUCT	M14 - CPC048XXX7BXXXBA	
32	0270L00012 INSULATED ASSY, SUPPLY DUCT	M15 - CPC0480104BXXABA	
42	0121L00279DG ELECTRIC HEAT DOOR	M16 - CPC060XXX3BXJXBA	
52	0270L00084 INSULATED ASSY, BLOWER DOOR (M1, M2, M3, M4, M5, M6, M7, M8, M9, M10, M11, M12, M13, M14, M15, M16, M17, M18, M19, M20, M21)	M17 - CPC060XXX3BXXXBA	
52	0270L00146 INSULATED ASSY, BLOWER DOOR (M22, M23, M24, M25, M26, M27, M28, M29)	M18 - CPC060XXX4BXJXBA	
62	0121G00301 RAIL CORNER BRACKET (QTY 4)	M19 - CPC060XXX4BXXXBA	
72	0121L00262DG LOUVERED CONTROL PANEL (M1, M2, M3, M4, M5, M6, M7, M8, M9, M10, M11, M12, M13, M14, M15, M16, M17, M18, M19, M20, M21)	M20 - CPC060XXX7BXJXBA	
72	0121L00353DG LOUVERED CONTROL PANEL (M22, M23, M24, M25, M26, M27, M28, M29)	M21 - CPC060XXX7BXXXBA	
		M22 - CPC072XXX3BXJXBA	
		M23 - CPC072XXX3BXXXBA	
		M24 - CPC072XXX4BXJXBA	
		M25 - CPC072XXX4BXXXBA	
		M26 - CPC072XXX7BXJXBA	
		M27 - CPC072XXX7BXXXBA	
		M28 - CPC072XXX7HXXXBA	
		M29 - CPC0720104BAXCBA	

Partition Assy

Image 1

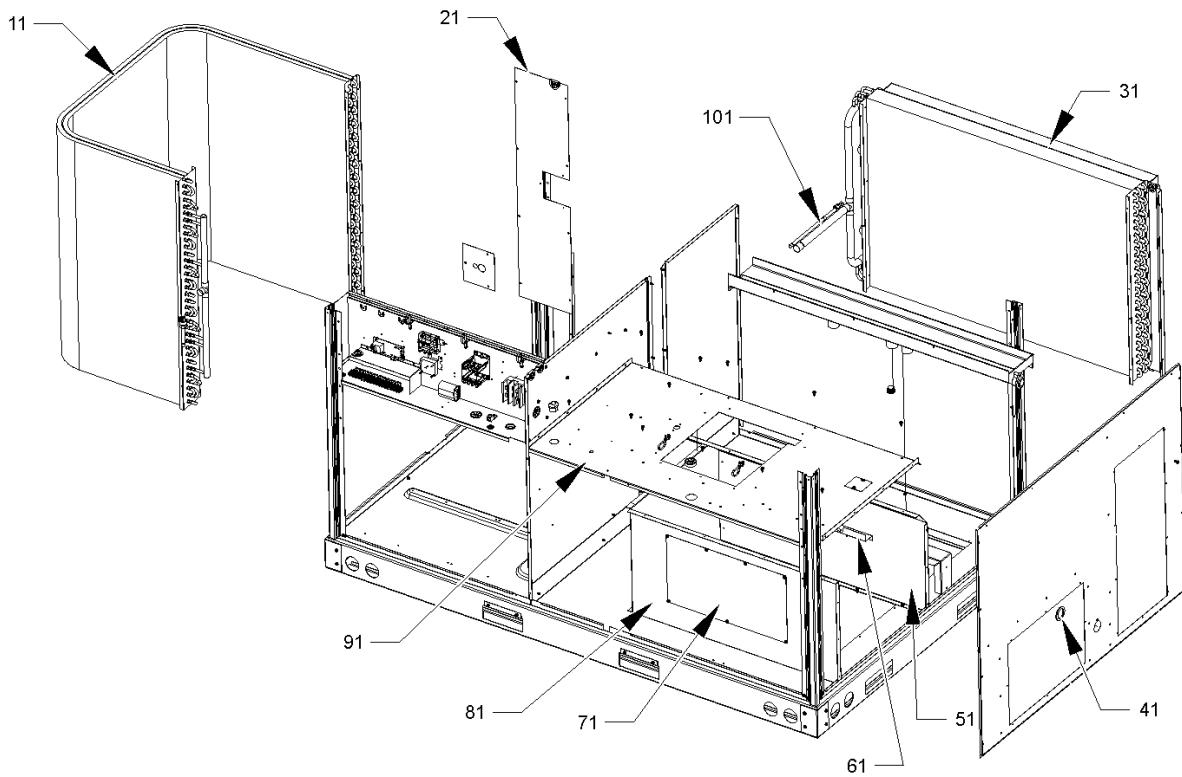
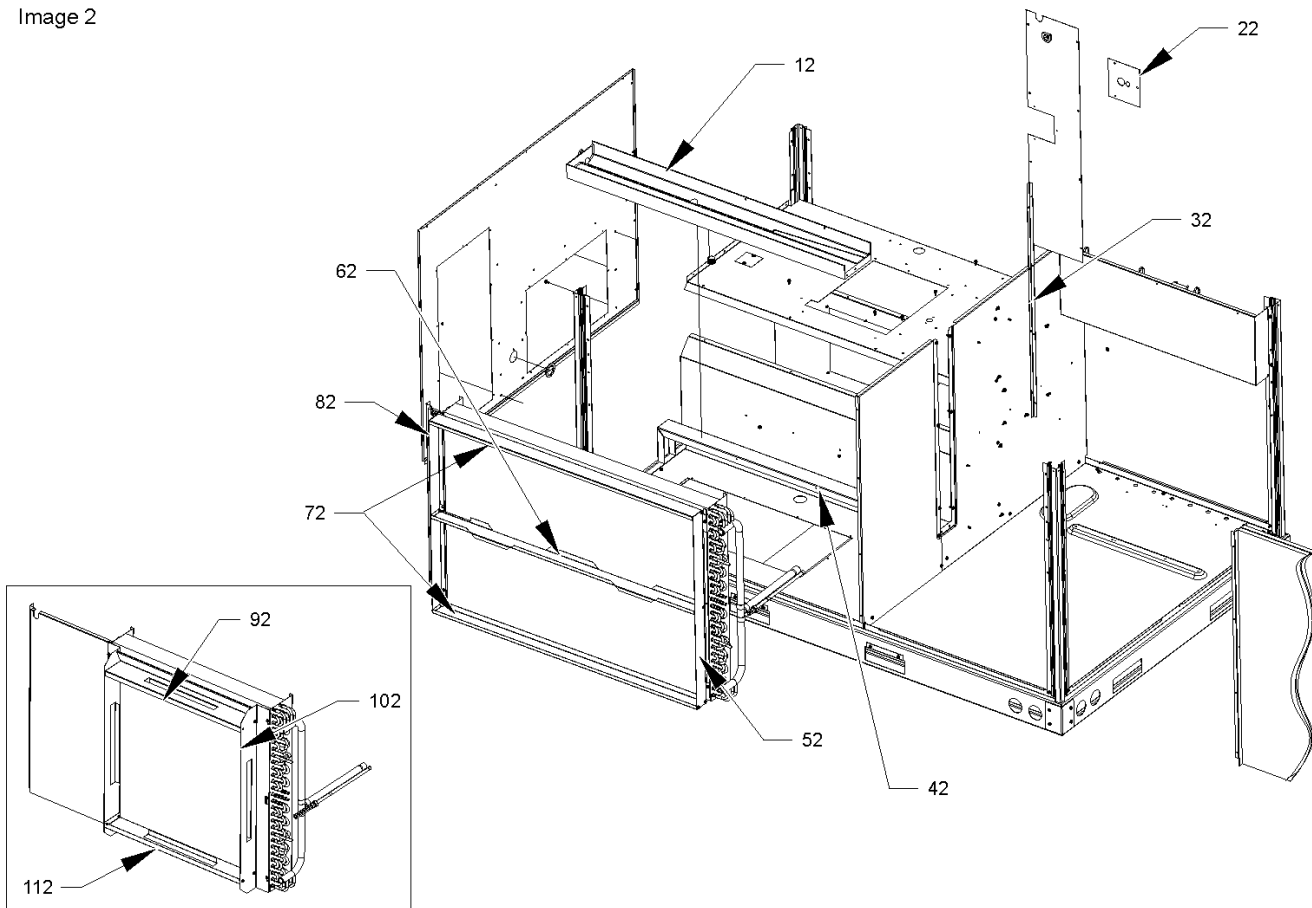


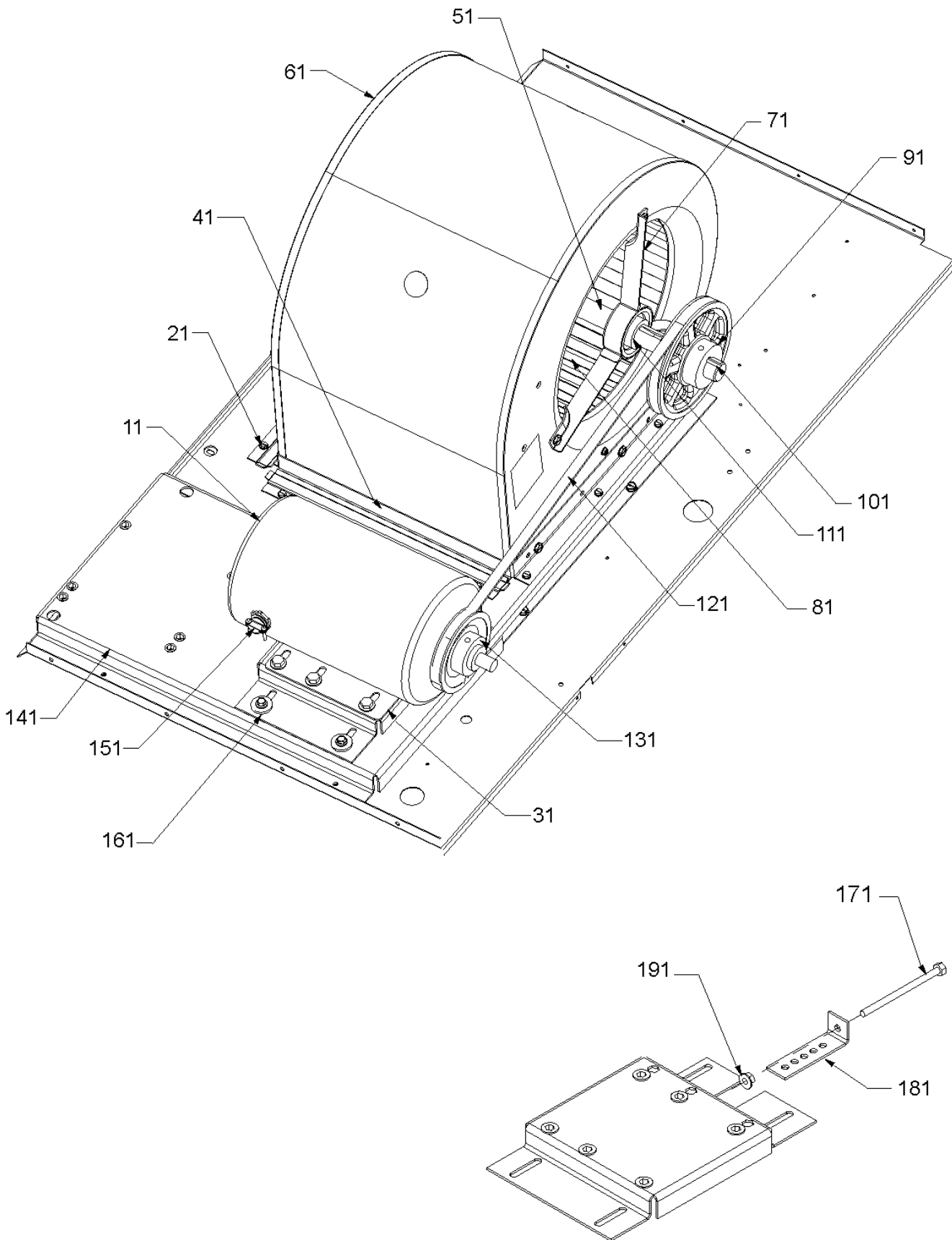
Image 2



Partition Assy

Ref. Part No: No:	Description:	Ref. Part No: No:	Description:																													
Image 1:		Image 2:																														
11	0201L00034 TUBING ASSY, COND COIL (M17, M19, M21)	NS	B1369608 AIR FILTER 20 X 16 X 2 (M22, M23, M24, M25, M26, M27, M28, M29)																													
11	0201L00036 TUBING ASSY, COND COIL (M2, M4, M5, M6, M7, M9, M10, M12, M14, M15)	NS	0160L00008 FILTER 14 X 20 X 2 (M8, M9, M10, M11, M12, M13, M14, M15, M16, M17, M18, M19, M20, M21)																													
11	0201L00041 TUBING ASSY, COND COIL (M16, M18, M20)	NS	0160L00046 FILTER 24 X 24 (M1, M2, M3, M4, M5, M6, M7)																													
11	0201L00045 TUBING ASSY, COND COIL (M1, M3, M8, M11, M13)	Expanded Model Nomenclature																														
11	0201L00053 TUBING ASSY, COND COIL (M23, M25, M27, M28, M29)	<table border="1"> <tr><td>M1 - CPC036XXX3BXJXBA</td></tr> <tr><td>M2 - CPC036XXX3BXXXBA</td></tr> <tr><td>M3 - CPC036XXX4BXJXBA</td></tr> <tr><td>M4 - CPC036XXX4BXXXBA</td></tr> <tr><td>M5 - CPC036XXX4HXXXBA</td></tr> <tr><td>M6 - CPC0360104BAXCBA</td></tr> <tr><td>M7 - CPC0360104BXXABA</td></tr> <tr><td>M8 - CPC048XXX3BXJXBA</td></tr> <tr><td>M9 - CPC048XXX3BXXXBA</td></tr> <tr><td>M10 - CPC048XXX3HXXXBA</td></tr> <tr><td>M11 - CPC048XXX4BXJXBA</td></tr> <tr><td>M12 - CPC048XXX4BXXXBA</td></tr> <tr><td>M13 - CPC048XXX7BXJXBA</td></tr> <tr><td>M14 - CPC048XXX7BXXXBA</td></tr> <tr><td>M15 - CPC0480104BXXABA</td></tr> <tr><td>M16 - CPC060XXX3BXJXBA</td></tr> <tr><td>M17 - CPC060XXX3BXXXBA</td></tr> <tr><td>M18 - CPC060XXX4BXJXBA</td></tr> <tr><td>M19 - CPC060XXX4BXXXBA</td></tr> <tr><td>M20 - CPC060XXX7BXJXBA</td></tr> <tr><td>M21 - CPC060XXX7BXXXBA</td></tr> <tr><td>M22 - CPC072XXX3BXJXBA</td></tr> <tr><td>M23 - CPC072XXX3BXXXBA</td></tr> <tr><td>M24 - CPC072XXX4BXJXBA</td></tr> <tr><td>M25 - CPC072XXX4BXXXBA</td></tr> <tr><td>M26 - CPC072XXX7BXJXBA</td></tr> <tr><td>M27 - CPC072XXX7BXXXBA</td></tr> <tr><td>M28 - CPC072XXX7HXXXBA</td></tr> <tr><td>M29 - CPC0720104BAXCBA</td></tr> </table>		M1 - CPC036XXX3BXJXBA	M2 - CPC036XXX3BXXXBA	M3 - CPC036XXX4BXJXBA	M4 - CPC036XXX4BXXXBA	M5 - CPC036XXX4HXXXBA	M6 - CPC0360104BAXCBA	M7 - CPC0360104BXXABA	M8 - CPC048XXX3BXJXBA	M9 - CPC048XXX3BXXXBA	M10 - CPC048XXX3HXXXBA	M11 - CPC048XXX4BXJXBA	M12 - CPC048XXX4BXXXBA	M13 - CPC048XXX7BXJXBA	M14 - CPC048XXX7BXXXBA	M15 - CPC0480104BXXABA	M16 - CPC060XXX3BXJXBA	M17 - CPC060XXX3BXXXBA	M18 - CPC060XXX4BXJXBA	M19 - CPC060XXX4BXXXBA	M20 - CPC060XXX7BXJXBA	M21 - CPC060XXX7BXXXBA	M22 - CPC072XXX3BXJXBA	M23 - CPC072XXX3BXXXBA	M24 - CPC072XXX4BXJXBA	M25 - CPC072XXX4BXXXBA	M26 - CPC072XXX7BXJXBA	M27 - CPC072XXX7BXXXBA	M28 - CPC072XXX7HXXXBA	M29 - CPC0720104BAXCBA
M1 - CPC036XXX3BXJXBA																																
M2 - CPC036XXX3BXXXBA																																
M3 - CPC036XXX4BXJXBA																																
M4 - CPC036XXX4BXXXBA																																
M5 - CPC036XXX4HXXXBA																																
M6 - CPC0360104BAXCBA																																
M7 - CPC0360104BXXABA																																
M8 - CPC048XXX3BXJXBA																																
M9 - CPC048XXX3BXXXBA																																
M10 - CPC048XXX3HXXXBA																																
M11 - CPC048XXX4BXJXBA																																
M12 - CPC048XXX4BXXXBA																																
M13 - CPC048XXX7BXJXBA																																
M14 - CPC048XXX7BXXXBA																																
M15 - CPC0480104BXXABA																																
M16 - CPC060XXX3BXJXBA																																
M17 - CPC060XXX3BXXXBA																																
M18 - CPC060XXX4BXJXBA																																
M19 - CPC060XXX4BXXXBA																																
M20 - CPC060XXX7BXJXBA																																
M21 - CPC060XXX7BXXXBA																																
M22 - CPC072XXX3BXJXBA																																
M23 - CPC072XXX3BXXXBA																																
M24 - CPC072XXX4BXJXBA																																
M25 - CPC072XXX4BXXXBA																																
M26 - CPC072XXX7BXJXBA																																
M27 - CPC072XXX7BXXXBA																																
M28 - CPC072XXX7HXXXBA																																
M29 - CPC0720104BAXCBA																																
11	0201L00055 TUBING ASSY, COND COIL (M22, M24, M26)																															
21	0121L00311 COND BLOCK-OFF (M1, M2, M3, M4, M5, M6, M7, M8, M9, M10, M11, M12, M13, M14, M15, M16, M17, M18, M19, M20, M21)																															
21	0121L00348 COND BLOCK-OFF (M22, M23, M24, M25, M26, M27, M28, M29)																															
31	0202L00020 TUBING ASSY, EVAP COIL (M16, M17, M18, M19, M20, M21)																															
31	0202L00024 TUBING ASSY, EVAP COIL (M1, M2, M3, M4, M5, M6, M7)																															
31	0202L00029 TUBING ASSY, EVAP COIL (M8, M9, M10, M11, M12, M13, M14, M15)																															
31	0202L00032 TUBING ASSY, EVAP COIL (M22, M23, M24, M25, M26, M27, M28, M29)																															
41	0154L00009 DRAIN PAN GASKET																															
51	0121L00243 DECK SIDE CHANNEL																															
61	0121L00288 ELECTRIC HEAT RETAINER																															
71	0121L00144 ELECTRIC HEAT COVER																															
81	0121L00256 ELECTRIC HEAT PANEL																															
91	0121L00981 DECK BLOWER																															
Image 2:																																
12	0161L00005 DRAIN PAN																															
22	0121L00324 COND BLOCK-OFF PLATE																															
32	0121L00254 COND MOUNTING ANGLE (M1, M2, M3, M4, M5, M6, M7, M8, M9, M10, M11, M12, M13, M14, M15, M16, M17, M18, M19, M20, M21)																															
32	0121L00349 COND MOUNTING ANGLE (M22, M23, M24, M25, M26, M27, M28, M29)																															
42	0121L00238 DRAIN PAN SUPPORT																															
52	0121L00287 FILTER ANGLE-VERTICAL (RETURN SIDE) (M8, M9, M10, M11, M12, M13, M14, M15, M16, M17, M18, M19, M20, M21)																															
52	0121L00357 FILTER ANGLE-VERTICAL (RETURN SIDE) (M22, M23, M24, M25, M26, M27, M28, M29)																															
62	0121L00298 FILTER ANGLE-HORIZONTAL (CENTER) (M8, M9, M10, M11, M12, M13, M14, M15, M16, M17, M18, M19, M20, M21, M22, M23, M24, M25, M26, M27, M28, M29)																															
72	0121L00932 ANGLE-FILTER HORIZONTAL (M8, M9, M10, M11, M12, M13, M14, M15, M16, M17, M18, M19, M20, M21, M22, M23, M24, M25, M26, M27, M28, M29)																															
82	0121L00303 FILTER ANGLE-VERTICAL (HAIRPIN SIDE) (M8, M9, M10, M11, M12, M13, M14, M15, M16, M17, M18, M19, M20, M21)																															
82	0121L00358 FILTER ANGLE-VERTICAL (HAIRPIN SIDE) (M22, M23, M24, M25, M26, M27, M28, M29)																															
92	0121L00290 FILTER ANGLE-TOP (M1, M2, M3, M4, M5, M6, M7)																															
102	0121L00292 FILTER ANGLE-VERTICAL (M1, M2, M3, M4, M5, M6, M7)																															
112	0121L00291 FILTER ANGLE-BOTTOM (M1, M2, M3, M4, M5, M6, M7)																															

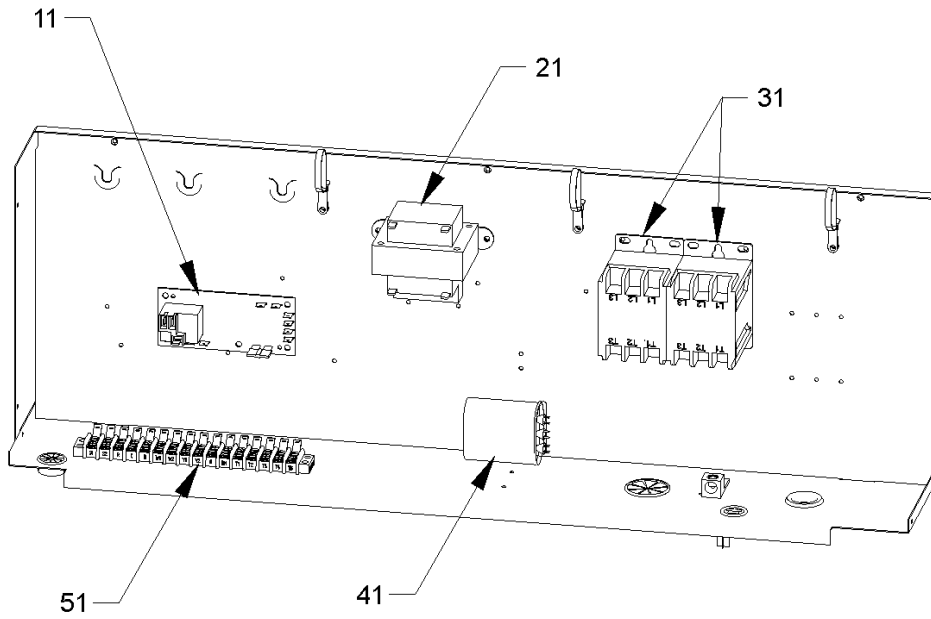
Belt Drive Assy



Belt Drive Assy

Ref. Part No: No:	Description:	Ref. Part No: No:	Description:
Image 1:		Expanded Model Nomenclature	
11	0131L00003 BELT DRIVE MOTOR 1 HP (M1, M2, M3, M4, M6, M7, M8, M9, M11, M12, M15, M16, M17, M18, M19)	M1 - CPC036XXX3BXJXBA	
11	B3240007 BELT DRIVE MOTOR 1.5 HP (M5,M10,M22, M23, M24, M25, M29)	M2 - CPC036XXX3BXXXBA	
11	0131L00005 BELT DRIVE MOTOR 2 HP 575 V (M28)	M3 - CPC036XXX4BXJXBA	
11	0131L00004 BELT DRIVE MOTOR-1.5 HP 575 (M13, M14, M20, M21, M26, M27)	M4 - CPC036XXX4BXXXBA	
21	0121L00297 BLOWER SIDE ANGLE (QTY 3)	M5 - CPC036XXX4HXXXBA	
31	0270L00334 MOTOR BASE ASSY (M1, M2, M3, M4, M5, M6, M7, M8, M9, M10, M11, M12, M15, M16, M17, M18, M19)	M6 - CPC0360104BAXCBA	
31	0270L00364 MOTOR BASE ASSY (M13, M14, M20, M21, M22, M23, M24, M25, M26, M27, M28, M29)	M7 - CPC0360104BXXABA	
41	0121L00281 BLOWER MOUNTING ANGLE	M8 - CPC048XXX3BXJXBA	
51	0163L00005 BELT DRIVE BLOWER SHAFT	M9 - CPC048XXX3BXXXBA	
61	2539302F BLOWER HOUSING 11 X 10	M10 - CPC048XXX3HXXXBA	
71	B3201300 MOUNTING BRACKET BEARING (QTY 2)	M11 - CPC048XXX4BXJXBA	
81	B1368056 BELT DRIVE BLOWER WHEEL	M12 - CPC048XXX4BXXXBA	
91	B2120011 FIXED SHEAVE (M1, M2, M3, M4, M6, M7)	M13 - CPC048XXX7BXJXBA	
91	0163L00031 FIXED SHEAVE AK59 (M22, M23, M24, M25, M26, M27, M28, M29)	M14 - CPC048XXX7BXXXBA	
91	B3204303 FIXED SHEAVE AK61 (M5, M16, M17, M18, M19, M20, M21)	M15 - CPC0480104BXXABA	
91	B3204310 FIXED SHEAVE AK66 (M8, M9, M10, M11, M12, M13, M14, M15)	M16 - CPC060XXX3BXJXBA	
101	B1398604 STEEL KEY (000158812) 2.0"	M17 - CPC060XXX3BXXXBA	
111	B1399500 BALL BEARING 1.00" (QTY 2)	M18 - CPC060XXX4BXJXBA	
121	0164L00010 FAN BELT, NOTCHED	M19 - CPC060XXX4BXXXBA	
131	0163L00024 VARIABLE PITCH SHEAVE 1VL40 X 5/8" (M1, M2, M3, M4, M6, M7)	M20 - CPC060XXX7BXJXBA	
131	B2120001 VARIABLE PITCH SHEAVE 1VL44 X 3/8" (M8, M9, M10, M11, M12, M13, M14, M15, M16, M17, M18, M19, M20, M21, M26, M27, M28)	M21 - CPC060XXX7BXXXBA	
131	B2120014 VARIABLE PITCH SHEAVE 1VL44 X 7/8" (M5, M22, M23, M24, M25, M29)	M22 - CPC072XXX3BXJXBA	
141	0270L00365 MOUNTING PLATE ASSY	M23 - CPC072XXX3BXXXBA	
151	B1393726 ELECT. CONNECTING BUSHING	M24 - CPC072XXX4BXJXBA	
161	B1393738 BOLT 1/4-20 X 3/4" (QTY 5)	M25 - CPC072XXX4BXXXBA	
171	0163M00045 BOLT 1/4-20 X 4"	M26 - CPC072XXX7BXJXBA	
181	3225000F BELT TIGHTENER ANGLE	M27 - CPC072XXX7BXXXBA	
191	B1393023 NUT / LOCK .25-20	M28 - CPC072XXX7HXXXBA	
NS	1864703F BLOWER CUT-OFF	M29 - CPC0720104BAXCBA	
NS	B1398603 STEEL KEY (000158812) 4.5"		

Control Box Assy



Control Box Assy

**Ref. Part
No: No:**

Description:

**Ref. Part
No: No:**

Description:

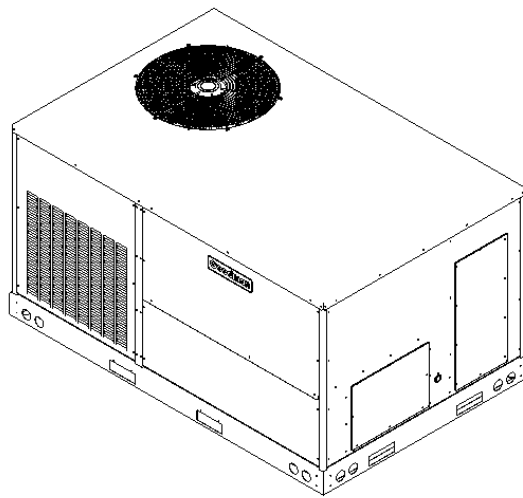
Image 1:

11	PCBFM131	PCB, TIME DELAY
21	CONT3P025024V	CONTACTOR 25 AMP, 3P, 24V (M3, M4, M5, M6, M7, M11, M12, M13, M14, M15, M18, M19, M20, M21, M24, M25, M26, M27, M28, M29)
21	CONT3P030024V	CONTACTOR 30 AMP, 3P, 24V (M1, M2, M8, M9, M10, M16, M17, M22, M23)
31	B1141643	TRANSFORMER 208/230, 24V (M1, M2, M8, M9, M10, M16, M17, M22, M23)
31	B1141653	TRANSFORMER 480V, 75VA, RESETTABLE (M3, M4, M5, M6, M7, M11, M12, M15, M18, M19, M24, M25, M29)
31	0130M00045	TRANSFORMER 575/24V (M13, M14, M20, M21, M26, M27, M28)
41	CAP050000370VA	CAPACITOR 5/370V
51	0130M00038	TERMINAL BOARD
NS	20520901	CAPACITOR STRAP
NS	0259L00054	WIRING HARNESS (M1, M2, M8, M9, M10, M13, M14, M16, M17, M20, M21, M22, M23, M26, M27, M28)
NS	0259L00057	WIRING HARNESS
NS	0259L00060	WIRING HARNESS (M3, M4, M5, M6, M7, M11, M12, M15, M18, M19, M24, M25, M29)
NS	0259L00061	WIRING HARNESS
NS	0259L00064	WIRING HARNESS
NS	0259L00065	WIRING HARNESS (M1, M2, M3, M4, M5, M6, M7, M8, M9, M10, M11, M12, M13, M14, M15, M16, M17, M18, M19, M20, M21)
NS	0259L00094	WIRING HARNESS (M22, M23, M24, M25, M26, M27, M28, M29)

Expanded Model Nomenclature

M1 - CPC036XXX3BXJXBA
M2 - CPC036XXX3BXXXBA
M3 - CPC036XXX4BXJXBA
M4 - CPC036XXX4BXXXBA
M5 - CPC036XXX4HXXXBA
M6 - CPC0360104BAXCBA
M7 - CPC0360104BXXABA
M8 - CPC048XXX3BXJXBA
M9 - CPC048XXX3BXXXBA
M10 - CPC048XXX3HXXXBA
M11 - CPC048XXX4BXJXBA
M12 - CPC048XXX4BXXXBA
M13 - CPC048XXX7BXJXBA
M14 - CPC048XXX7BXXXBA
M15 - CPC0480104BXXABA
M16 - CPC060XXX3BXJXBA
M17 - CPC060XXX3BXXXBA
M18 - CPC060XXX4BXJXBA
M19 - CPC060XXX4BXXXBA
M20 - CPC060XXX7BXJXBA
M21 - CPC060XXX7BXXXBA
M22 - CPC072XXX3BXJXBA
M23 - CPC072XXX3BXXXBA
M24 - CPC072XXX4BXJXBA
M25 - CPC072XXX4BXXXBA
M26 - CPC072XXX7BXJXBA
M27 - CPC072XXX7BXXXBA
M28 - CPC072XXX7HXXXBA
M29 - CPC0720104BAXCBA

Accessory Parts List



Accessory Parts

Ref. Part No:	Description:	Ref. Part No:	Description:
---------------	--------------	---------------	--------------

Image 1:

NS 0270L00107	CONVENIENCE OUTLET ASSEMBLY (M7, M15)
NS DNECONGS3672B	ECONOMIZER, DOWNFLOW GAS/AC (M6, M29)
NS LAKT01FIAC	LOW AMBIENT KIT (M6, M29)

Expanded Model Nomenclature

- M1 - CPC036XXX3BXJXBA
- M2 - CPC036XXX3BXXXBA
- M3 - CPC036XXX4BXJXBA
- M4 - CPC036XXX4BXXXBA
- M5 - CPC036XXX4HXXXBA
- M6 - CPC0360104BAXCBA
- M7 - CPC0360104BXXABA
- M8 - CPC048XXX3BXJXBA
- M9 - CPC048XXX3BXXXBA
- M10 - CPC048XXX3HXXXBA
- M11 - CPC048XXX4BXJXBA
- M12 - CPC048XXX4BXXXBA
- M13 - CPC048XXX7BXJXBA
- M14 - CPC048XXX7BXXXBA
- M15 - CPC0480104BXXABA
- M16 - CPC060XXX3BXJXBA
- M17 - CPC060XXX3BXXXBA
- M18 - CPC060XXX4BXJXBA
- M19 - CPC060XXX4BXXXBA
- M20 - CPC060XXX7BXJXBA
- M21 - CPC060XXX7BXXXBA
- M22 - CPC072XXX3BXJXBA
- M23 - CPC072XXX3BXXXBA
- M24 - CPC072XXX4BXJXBA
- M25 - CPC072XXX4BXXXBA
- M26 - CPC072XXX7BXJXBA
- M27 - CPC072XXX7BXXXBA
- M28 - CPC072XXX7HXXXBA
- M29 - CPC0720104BAXCBA