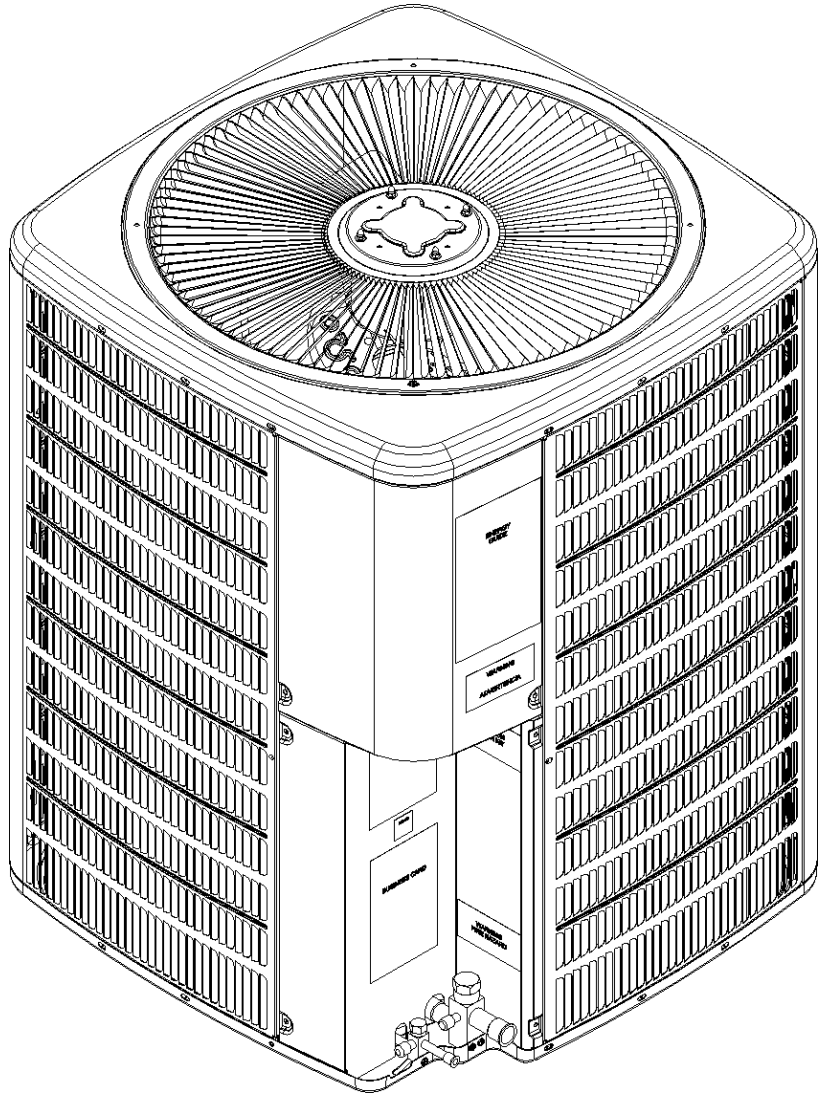


REPAIR PARTS

CKF* 50 Hz Remote Air Conditioner

CKF24-2M
CKF24-2N
CKF24-2PB
CKF36-2M
CKF36-2N
CKF36-2PB
CKF36-5M
CKF36-5N
CKF36-5PB
CKF48-5M
CKF48-5N
CKF60-5M
CKF60-5N
CKF70-5M
CKF70-5N
CKF70-5PB



This manual is to be used by qualified technicians only.

This manual replaces RP-424C.

© 2006, 2008, 2012, 2017 Goodman Manufacturing Company, L.P. ♦ 5151 San Felipe St., Suite 500 ♦ Houston, TX 77056

Important Information

Index

Functional Parts List	3
Illustration and Parts	4 - 9

Views shown are for parts illustrations only, not servicing procedures.

Text Codes:

AR - As Required

NA - Not Available

NS - Not Shown

00000000 - See Note

QTY - Quantity Example (QTY 3) (If Quantity not shown, Quantity = 1)

M - Model Example (M1) (If M Code not shown, then part is used on all Models)

Expanded Model Nomenclature:

Example M1 - Model#1 M2 - Model#2 M3 - Model#3

Goodman Manufacturing Company, L.P. is not responsible for personal injury or property damage resulting from improper service. Review all service information before beginning repairs.

Warranty service must be performed by an authorized technician, using authorized factory parts. If service is required after the warranty expires, Goodman Manufacturing Company, L.P. also recommends contacting an authorized technician and using authorized factory parts.

Goodman Manufacturing Company, L.P. reserves the right to discontinue, or change at any time, specifications or designs without notice or without incurring obligations.

For assistance within the U.S.A. contact:
Homeowner Support
Goodman Manufacturing Company, L.P.
19001 Kermier Road
Waller, Texas 77484
877-254-4729-Telephone
713-863-2382-Facsimile

For assistance outside the U.S.A. contact:
International Division
Goodman Manufacturing Company, L.P.
19001 Kermier Road
Waller, Texas 77484
713-861-2500-Telephone
713-863-2382-Facsimile

Functional Parts

Part

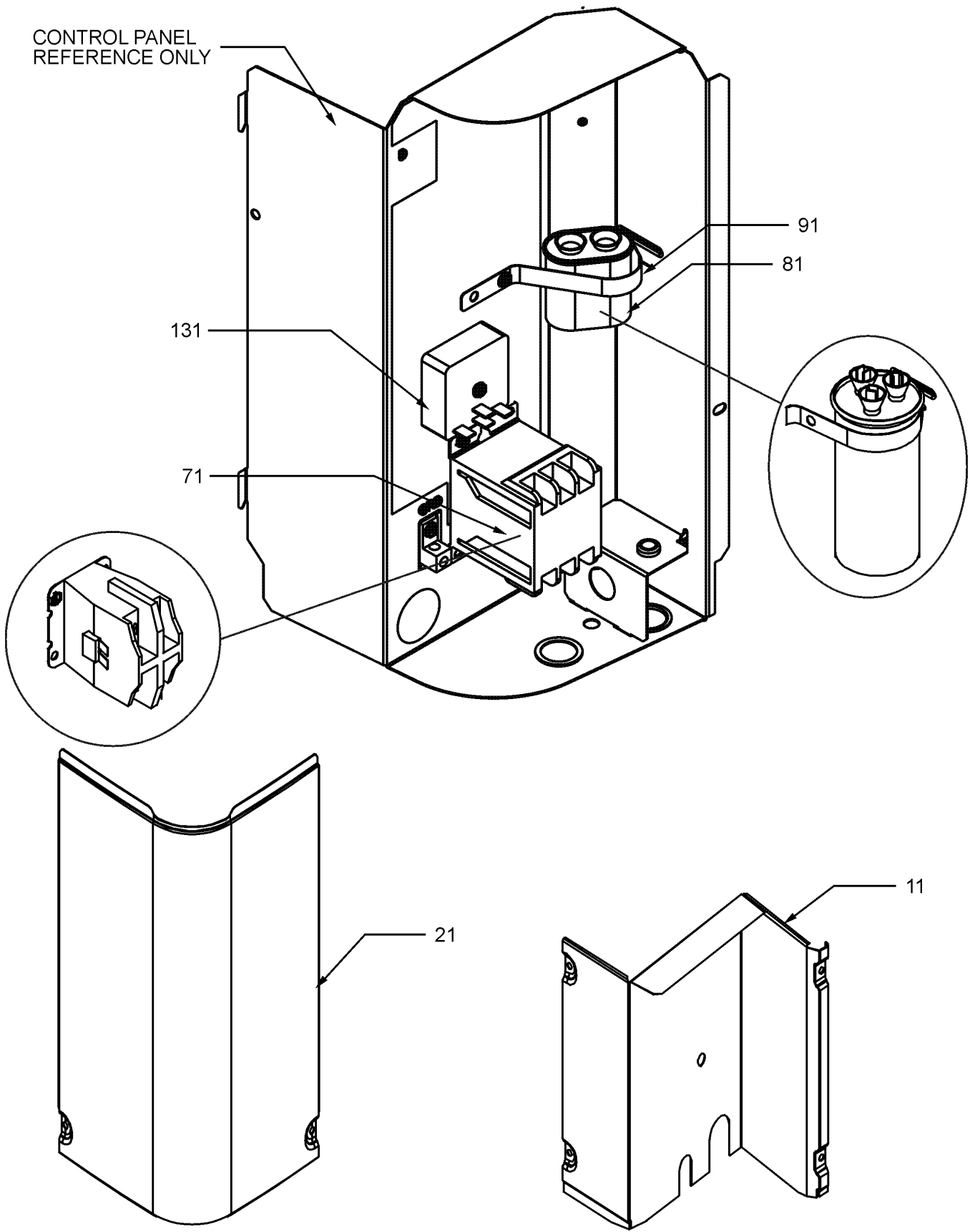
No: Description:

CAP050000370LAE	CAP, 5 MFD/370V/OVAL (M9, M16)
CAP050400440CTE	CAP, 5/40 MFD/440V/DUAL RD (M3)
CAP050500440CT	CAP, 5/50 MFD/440V/DUAL RD (M4, M5)
CAP050500440CTE	CAP, 5/50 MFD/440V/DUAL RD (M6)
CAP050000370LA	CAPACITOR 5/370V (M7, M8, M10, M11, M12, M13, M14, M15)
CAP050400440CT	CAPACITOR 5/40/440V/DUAL RD (M1, M2)
CR30K6PFJ125	COMP, 24300,220/240/50/1 (M3)
CR42K6TFD125	COMP, 34800,380/420/50/3 (M9)
CR42K6PFZ125	COMP, 35200,220/240/50/1 (M6)
ZR81KCTFD622	COMP, 68000,380/420/50/3 (M16)
CR30KQPFZ240AA	COMP,24800,220/240/50/1 (M1, M2)
CR41KQTFD240AA	COMP,34700,380/420/50/3 (M7, M8)
ZR72KCTFD230	COMP,73500,380/460/60/3 (M12, M13)
ZR81KCTFD230	COMP,82000,460/60/3 (M14, M15)
CR41KQPFT240AA	COMPRESSOR 32100, 220/240/50/1 (M4, M5)
CR47KQTFD240AA	COMPRESSOR 39700, 380/420/50/3 (M10, M11)
B13400249	COND MOTOR 1/3 HP, 460V (M14, M15, M16)
B13400500	COND MOTOR 1/4 HP, 220-240V 50HZ (M1, M2, M3, M4, M5, M6)
B13400269	COND MOTOR 380/460 50/60 CYCLE (M7, M8, M9, M10, M11, M12, M13)
CONT1P025024V	CONTACTOR 25 AMP, 1P, 24V (M1, M2, M3, M4, M5, M6)
CONT3P025024V	CONTACTOR 25 AMP, 3P, 24V (M7, M8, M9, M10, M11, M12, M13, M14, M15, M16)
0130R00057	SW-CUTOUT HI PRESS
B1370772	TIME DELAY (ICM) 180 SEC DELAY

Expanded Model Nomenclature

M1 - CKF24-2M
M2 - CKF24-2N
M3 - CKF24-2PB
M4 - CKF36-2M
M5 - CKF36-2N
M6 - CKF36-2PB
M7 - CKF36-5M
M8 - CKF36-5N
M9 - CKF36-5PB
M10 - CKF48-5M
M11 - CKF48-5N
M12 - CKF60-5M
M13 - CKF60-5N
M14 - CKF70-5M
M15 - CKF70-5N
M16 - CKF70-5PB

Control Cover/Control Box Assembly



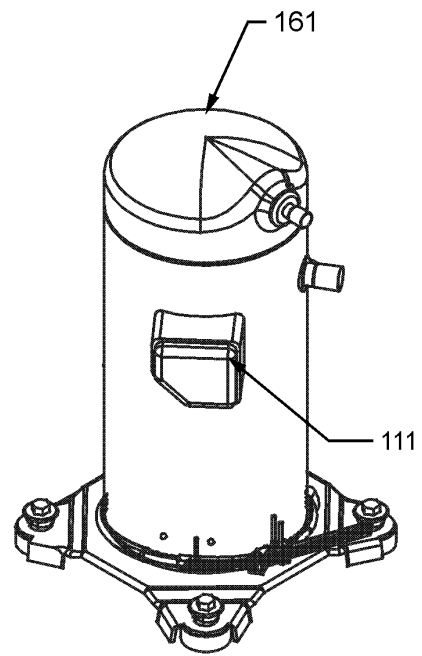
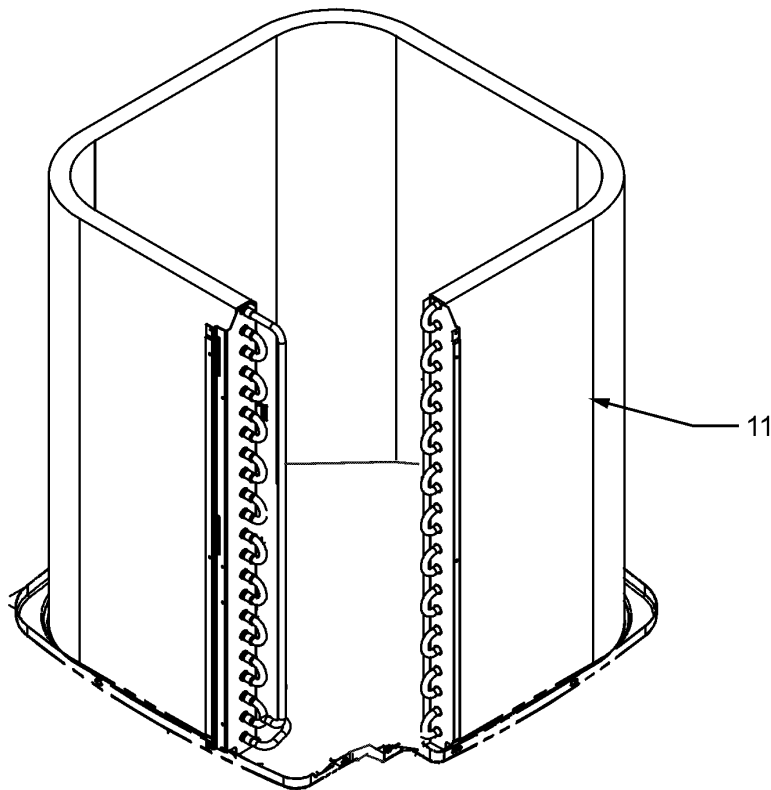
Control Cover/Control Box Assembly

Ref. Part No:	Ref. Part No:	Description:	Description:
Image 1:			
11	0121R00663PDG	LOWER ACCESS PANEL (M12, M13)	
11	0121R00318PDG	PANEL, LOWER ACCESS PNT (M14, M15, M16)	
11	0121R00324PDG	PANEL, LOWER ACCESS PNT (M1, M2, M3, M4, M5, M6, M7, M8, M9, M10, M11)	
21	0121R00053PDG	CONTROL COVER (M2, M3, M5, M6, M8, M9, M11, M13, M15, M16)	
21	4400064PDG	CONTROL COVER (M1, M4, M7, M10, M12, M14)	
71	CONT1P025024V	CONTACTOR 25 AMP, 1P, 24V (M1, M2, M3, M4, M5, M6)	
71	CONT3P025024V	CONTACTOR 25 AMP, 3P, 24V (M7, M8, M9, M10, M11, M12, M13, M14, M15, M16)	
81	CAP050000370LAE	CAP, 5 MFD/370V/OVAL (M9, M16)	
81	CAP050400440CTE	CAP, 5/40 MFD/440V/DUAL RD (M3)	
81	CAP050500440CT	CAP, 5/50 MFD/440V/DUAL RD (M4, M5)	
81	CAP050500440CTE	CAP, 5/50 MFD/440V/DUAL RD (M6)	
81	CAP050000370LA	CAPACITOR 5/370V (M7, M8, M10, M11, M12, M13, M14, M15)	
81	CAP050400440CT	CAPACITOR 5/40/440V/DUAL RD (M1, M2)	
91	4400065	CAPACITOR STRAP	
131	B1370772	TIME DELAY (ICM) 180 SEC DELAY	
NS	0161R00009P	NAMEPLATE	

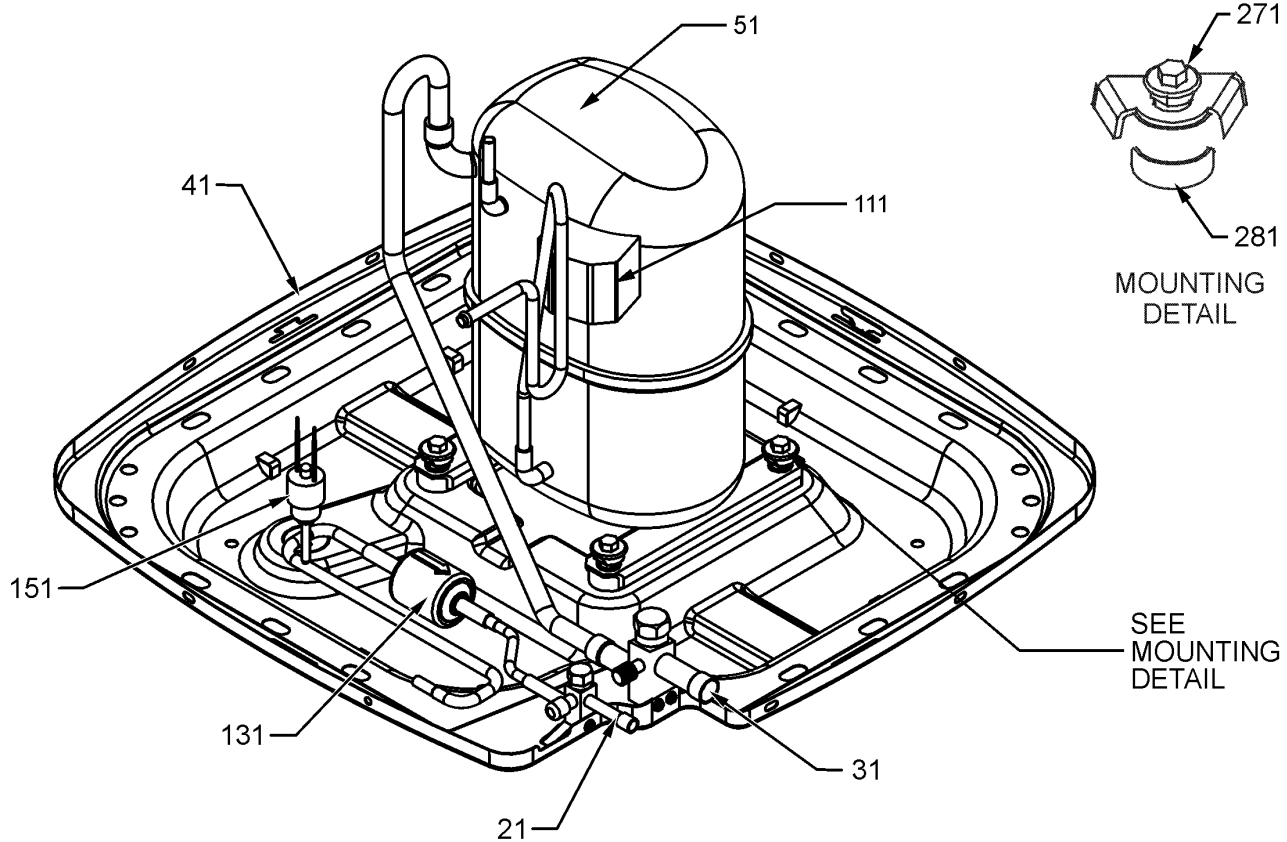
Expanded Model Nomenclature

M1 - CKF24-2M
M2 - CKF24-2N
M3 - CKF24-2PB
M4 - CKF36-2M
M5 - CKF36-2N
M6 - CKF36-2PB
M7 - CKF36-5M
M8 - CKF36-5N
M9 - CKF36-5PB
M10 - CKF48-5M
M11 - CKF48-5N
M12 - CKF60-5M
M13 - CKF60-5N
M14 - CKF70-5M
M15 - CKF70-5N
M16 - CKF70-5PB

Compressor/Tubing Assembly



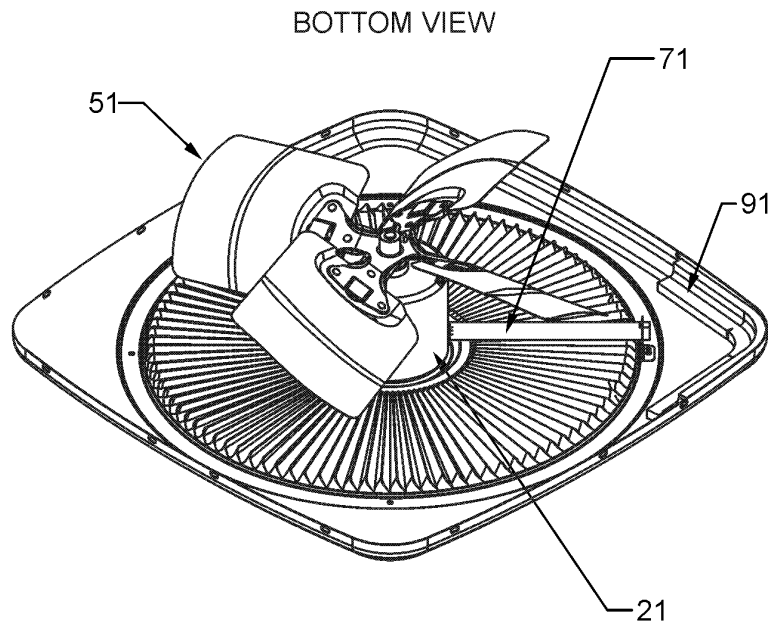
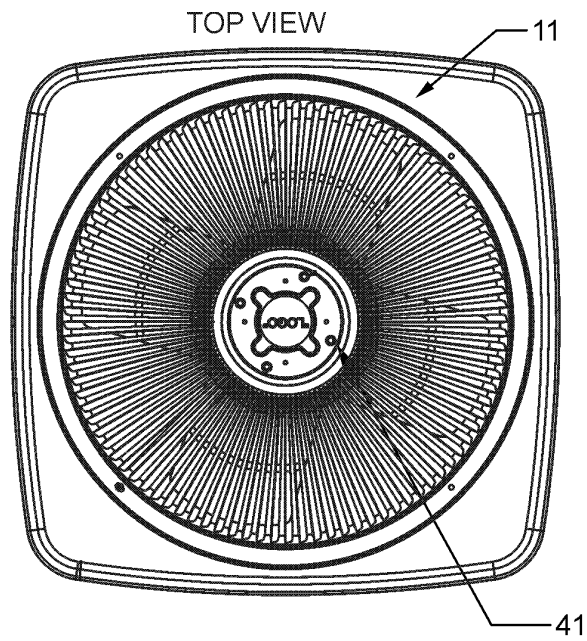
COMPRESSOR OPTION 1
DETAIL



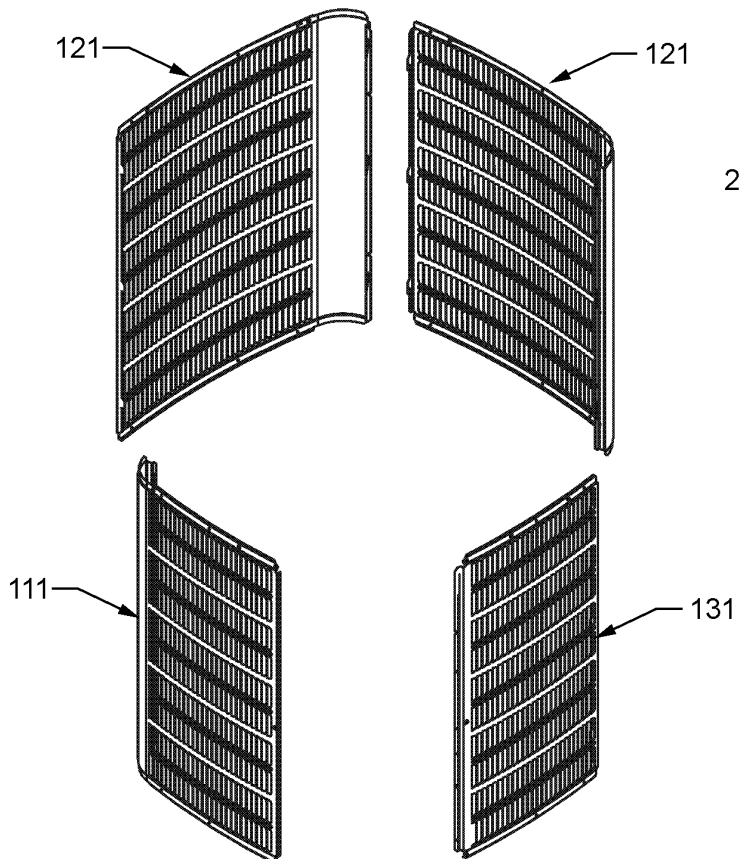
Compressor/Tubing Assembly

Ref. Part No: No:	Description:	Ref. Part No: No:	Description:
Image 1:		Expanded Model Nomenclature	
11	0201R00000P	COIL TBG 27.5XS 2CR 1.25CTC (M1, M2, M3)	M1 - CKF24-2M
11	0201R00002P	TUBING ASSY, COND COIL (M12, M13)	M2 - CKF24-2N
11	0201R00020P	TUBING ASSY, COND COIL (M14, M15, M16)	M3 - CKF24-2PB
11	0201R00089S	TUBING ASSY, COND COIL (M4, M5, M6, M7, M8, M9)	M4 - CKF36-2M
11	0201R00098S	TUBING ASSY, COND COIL (M10, M11)	M5 - CKF36-2N
21	0151R00078	BASE VALVE 3/8"	M6 - CKF36-2PB
31	0151R00079	BASE VALVE 3/4" (M1, M2, M3, M4, M5, M6, M7, M8, M9)	M7 - CKF36-5M
31	0151R00080	BASE VALVE 7/8" (M10, M11, M12, M13, M14, M15, M16)	M8 - CKF36-5N
41	0121R00005PDG	BASE PAN 26" (M2, M3, M5, M6, M8, M9)	M9 - CKF36-5PB
41	4400010PDG	BASE PAN 26" PNT (M1, M4, M7)	M10 - CKF48-5M
41	0121R00006PDG	BASE PAN 29" (M11, M13, M15, M16)	M11 - CKF48-5N
41	4400011PDG	BASE PAN 29" (M10, M12, M14)	M12 - CKF60-5M
51	CR30K6PFJ125	COMP, 24300,220/240/50/1 (M3)	M13 - CKF60-5N
51	CR42K6TFD125	COMP, 34800,380/420/50/3 (M9)	M14 - CKF70-5M
51	CR42K6PFZ125	COMP, 35200,220/240/50/1 (M6)	M15 - CKF70-5N
51	CR30KQPFZ240AA	COMP,24800,220/240/50/1 (M1, M2)	M16 - CKF70-5PB
51	CR41KQTFD240AA	COMP,34700,380/420/50/3 (M7, M8)	
51	CR41KQPFT240AA	COMPRESSOR 32100, 220/240/50/1 (M4, M5)	
51	CR47KQTFD240AA	COMPRESSOR 39700, 380/420/50/3 (M10, M11)	
111	0159R00008	COMPRESSOR SCROLL HARNESS (M3, M6)	
111	0159R00009	COMPRESSOR SCROLL HARNESS (M9, M16)	
131	B1219212	SINGLE-FLOW FILTER DRIER, STEEL (M1, M2, M3, M4, M5, M6, M7, M8, M9)	
131	B1219225	SINGLE-FLOW FILTER DRIER, STEEL (M10, M11, M12, M13, M14, M15, M16)	
151	0130R00057	SW-CUTOUT HI PRESS	
161	ZR81KCTFD622	COMP, 68000,380/420/50/3 (M16)	
161	ZR72KCTFD230	COMP,73500,380/460/60/3 (M12, M13)	
161	ZR81KCTFD230	COMP,82000,460/60/3 (M14, M15)	
271	M0221641	TF SHOULDER SCREW (QTY 4)	
281	B1339530	COMPRESSOR GROMMET (M1, M2, M3, M4, M5, M6, M7, M8, M9, M10, M11)	
281	B1339533	COMPRESSOR GROMMET (M12, M13, M14, M15, M16)	
NS	B1789896	FLOW CHECK PISTON KIT (M14, M15, M16)	
NS	B1789859	FLOW CHECK PISTON KIT .059 (M1, M2, M3)	
NS	B1789868	FLOW CHECK PISTON KIT .068 (M4, M5, M6, M7, M8, M9)	
NS	B1789878	FLOW CHECK PISTON KIT .078 (M10)	
NS	B1789880	FLOW CHECK PISTON KIT .080 (M11)	
NS	B1789893	FLOW CHECK PISTON KIT .093 (M12, M13)	

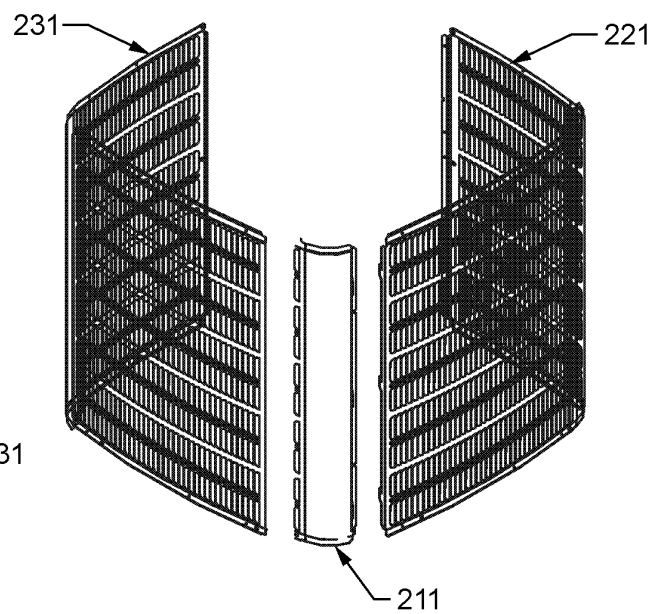
Top / Side Panel Assembly



LOUVER ASSEMBLY 1



LOUVER ASSEMBLY 2



Top / Side Panel Assembly

Ref. Part No:	No:	Description:	Ref. Part No:	No:	Description:
<i>Image 1:</i>			Expanded Model Nomenclature		
11	4400049PDG	PANEL, LOUVER TOP 26" PNT (M1, M4, M7)	M1	-	CKF24-2M
11	4400067PDG	PANEL, LOUVER TOP PNT (M10, M12, M14)	M2	-	CKF24-2N
11	0121R00008PDG	TOP PANEL 26" (M2, M3, M5, M6, M8, M9)	M3	-	CKF24-2PB
11	0121R00010PDG	TOP PANEL 29" (M11, M13, M15, M16)	M4	-	CKF36-2M
21	B13400249	COND MOTOR 1/3 HP, 460V (M14, M15, M16)	M5	-	CKF36-2N
21	B13400500	COND MOTOR 1/4 HP, 220-240V 50HZ (M1, M2, M3, M4, M5, M6)	M6	-	CKF36-2PB
21	B13400269	COND MOTOR 380/460 50/60 CYCLE (M7, M8, M9, M10, M11, M12, M13)	M7	-	CKF36-5M
41	0163M00006P	ACORN NUT 5/16 HEX BLACK (M2, M3, M5, M6, M8, M9, M11, M13, M15, M16)	M8	-	CKF36-5N
41	B1783803	ACORN NUT 5/16 HEX YELLOW ZINC (M1, M4, M7, M10, M12, M14)	M9	-	CKF36-5PB
51	B1086775	FAN BLADE (M10, M12)	M10	-	CKF48-5M
51	0150M00001P	FAN BLADE 20 INCH (M1, M2, M3, M4, M5, M6, M7, M8, M9)	M11	-	CKF48-5N
51	B1086748	FAN BLADE 22", 3 BLADE, 30° (M14)	M12	-	CKF60-5M
51	0150M00006	FAN BLADE, 22" (M11, M13)	M13	-	CKF60-5N
51	0150M00051	FAN BLADE, 22" (M15, M16)	M14	-	CKF70-5M
71	0161R00001P	CONDUIT (M1, M2, M3, M4, M5, M6, M7, M8, M9)	M15	-	CKF70-5N
71	0161R00003P	CONDUIT (M10, M11, M12, M13, M14, M15, M16)	M16	-	CKF70-5PB
91	0154R00006	GASKET, CONTROL PANEL			
111	0121R00014PDGB	LOUVERED SIDE PANEL (M2, M3, M5, M6, M8, M9)			
111	0121R00023PDGB	LOUVERED SIDE PANEL (M11)			
111	4400159PDG	LOUVERED SIDE PANEL (M10)			
111	0121R00024PDGB	LOUVERED SIDE PANEL [LT OF CNTL PNL] (M13)			
111	0121R00027PDGB	LOUVERED SIDE PANEL [LT OF CNTL PNL] (M15)			
111	4400144PDG	PANEL, LOUVER SIDE PNT (M1, M4, M7)			
111	4400160PDG	PANEL, LOUVER SIDE, PNT (M12)			
121	0121R00017PDGB	LOUVERED SIDE PANEL (M2, M3, M5, M6, M8, M9)			
121	0121R00029PDGB	LOUVERED SIDE PANEL (M11)			
121	0121R00030PDGB	LOUVERED SIDE PANEL (M13)			
121	0121R00033PDGB	LOUVERED SIDE PANEL (M15)			
121	4400166PDG	LOUVERED SIDE PANEL (M10)			
121	4400149PDG	PANEL, LOUVER SIDE PNT (M1, M4, M7)			
121	4400167PDG	PANEL, LOUVER SIDE, PNT (M12)			
131	0121R00020PDG	LOUVERED SIDE PANEL (M2, M3, M5, M6, M8, M9)			
131	0121R00035PDG	LOUVERED SIDE PANEL (M11)			
131	4400173PDG	LOUVERED SIDE PANEL (M10)			
131	0121R00036PDG	LOUVERED SIDE PANEL [RT OF CNTL PNL] (M13)			
131	0121R00039PDG	LOUVERED SIDE PANEL [RT OF CNTL PNL] (M15)			
131	4400154PDG	PANEL, LOUVER SIDE PNT (M1, M4, M7)			
131	4400174PDG	PANEL, LOUVER SIDE, PNT (M12)			
211	0121R00353PDG	LOUVER POST 34.49 (M16)			
221	0121R00345PDGRS	LOUVER PANEL 29"_34.49 (M16)			
231	0121R00345PDGLS	LOUVER PANEL 29"_34.49 (M16)			
NS	0163M00005P	WASHER, BLACK (.50 OD .218ID) (QTY 4)			