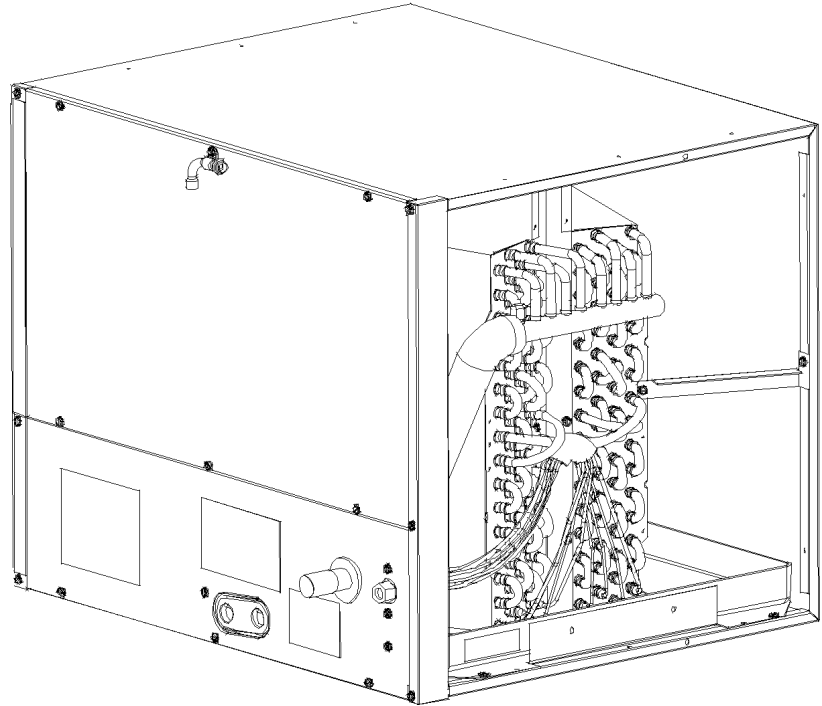


REPAIR PARTS

CHPF 13 SEER Horizontal Coils

CHPF1824A6CA
CHPF1824A6CB
CHPF2430B6CA
CHPF2430B6CB
CHPF3636B6CA
CHPF3636B6CB
CHPF3642C6CA
CHPF3642C6CB
CHPF3642D6CA
CHPF3642D6CB
CHPF3743C6BA
CHPF3743C6BB
CHPF3743D6BA
CHPF3743D6BB
CHPF4860D6DA
CHPF4860D6DB



This manual is to be used by qualified technicians only.

This manual replaces RP-534A.

© 2008 - 2009, 2012 Goodman Manufacturing Company, L.P. ♦ 5151 San Felipe St, Suite 500 ♦ Houston, TX 77056

Important Information

Index

Functional Parts List	3
Illustration and Parts	4 - 5

Views shown are for parts illustrations only, not servicing procedures.

Text Codes:

AR - As Required

NA - Not Available

NS - Not Shown

00000000 - See Note

QTY - Quantity Example (QTY 3) (If Quantity not shown, Quantity = 1)

M - Model Example (M1) (If M Code not shown, then part is used on all Models)

Expanded Model Nomenclature:

Example M1 - Model#1 M2 - Model#2 M3 - Model#3

Goodman Manufacturing Company, L.P. is not responsible for personal injury or property damage resulting from improper service. Review all service information before beginning repairs.

Warranty service must be performed by an authorized technician, using authorized factory parts. If service is required after the warranty expires, Goodman Manufacturing Company, L.P. also recommends contacting an authorized technician and using authorized factory parts.

Goodman Manufacturing Company, L.P. reserves the right to discontinue, or change at any time, specifications or designs without notice or without incurring obligations.

For assistance within the U.S.A. contact:
Homeowner Support
Goodman Manufacturing Company, L.P.
19001 Kermier Road
Waller, Texas 77484
877-254-4729-Telephone
713-863-2382-Facsimile

For assistance outside the U.S.A. contact:
International Division
Goodman Manufacturing Company, L.P.
19001 Kermier Road
Waller, Texas 77484
713-861-2500-Telephone
713-863-2382-Facsimile

Functional Parts

Part

No:

Description:

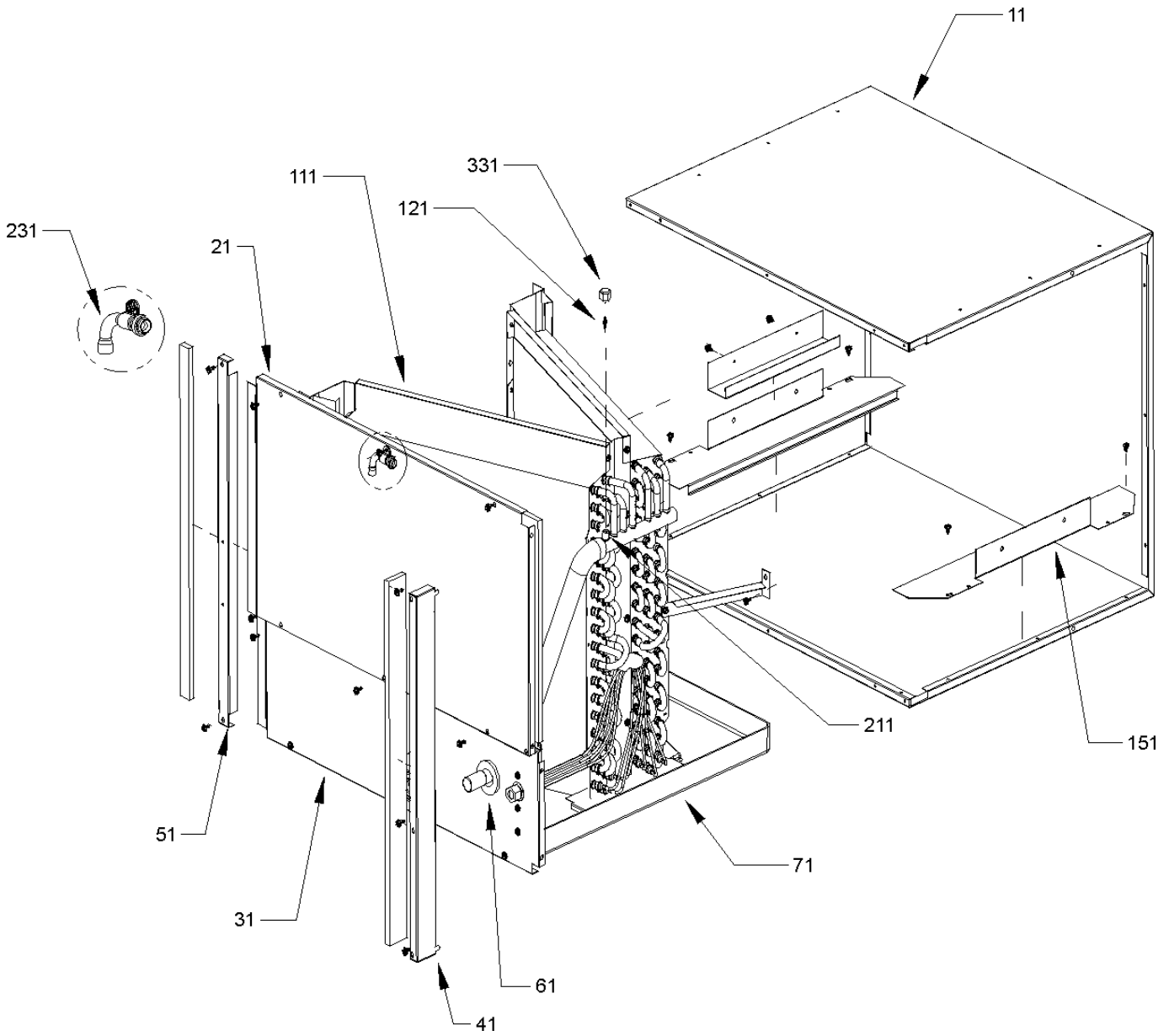
PKC-02A

PISTON KIT CHART

Expanded Model Nomenclature

M1 - CHPF1824A6CA
M2 - CHPF1824A6CB
M3 - CHPF2430B6CA
M4 - CHPF2430B6CB
M5 - CHPF3636B6CA
M6 - CHPF3636B6CB
M7 - CHPF3642C6CA
M8 - CHPF3642C6CB
M9 - CHPF3642D6CA
M10 - CHPF3642D6CB
M11 - CHPF3743C6BA
M12 - CHPF3743C6BB
M13 - CHPF3743D6BA
M14 - CHPF3743D6BB
M15 - CHPF4860D6DA
M16 - CHPF4860D6DB

Coil Assembly



Coil Assembly

Ref. Part No:	No:	Description:	Ref. Part No:	No:	Description:
Image 1:			Expanded Model Nomenclature		
11	5550829	HOR LG.CASE 24.5" X 26" PAINT (M9, M10, M13, M14, M15, M16)	M1	-	CHPF1824A6CA
11	5550828	HOR.MED.CASE 17.5" X 26" PAINT (M3, M4, M5, M6)	M2	-	CHPF1824A6CB
11	5550830	HORIZONTAL CASE LRG 21" X 26" (M7, M8, M11, M12)	M3	-	CHPF2430B6CA
11	5550827	HORIZONTAL CASE SML 14" X 26" (M1, M2)	M4	-	CHPF2430B6CB
21	5001504PDG	ACCESS DOOR LFT 17.5" X 26" (M3, M4, M5, M6)	M5	-	CHPF3636B6CA
21	5001513PDG	ACCESS DOOR LFT 21" X 26" (M7, M8, M11, M12)	M6	-	CHPF3636B6CB
21	5001515PDG	ACCESS DOOR LFT SM. HT ACCESS (M1, M2)	M7	-	CHPF3642C6CA
21	5001514PDG	ACCESS DOOR-LEFT 24.5" X 26" (M9, M10, M13, M14, M15, M16)	M8	-	CHPF3642C6CB
21	5001514PDG	ACCESSDOOR LFT 24.5" X 26" (M9, M10, M13, M14, M15, M16)	M9	-	CHPF3642D6CA
31	5001516PDG	ACCESS DOOR-RIGHT	M10	-	CHPF3642D6CB
41	5001200PDG	TOP RAIL 14" (M1, M2)	M11	-	CHPF3743C6BA
41	5001204PDG	TOP RAIL 17.5" (M3, M4, M5, M6)	M12	-	CHPF3743C6BB
41	5001207PDG	TOP RAIL 21" (M7, M8, M11, M12)	M13	-	CHPF3743D6BA
41	5001208PDG	TOP RAIL 24.5" (M9, M10, M13, M14, M15, M16)	M14	-	CHPF3743D6BB
51	5001201PDG	BOTTOM RAIL 14" (M1, M2)	M15	-	CHPF4860D6DA
51	5001205PDG	BOTTOM RAIL 17.5" (M3, M4, M5, M6)	M16	-	CHPF4860D6DB
51	5001209PDG	BOTTOM RAIL 21" (M7, M8, M11, M12)			
51	5001210PDG	BOTTOM RAIL 24.5" (M9, M10, M13, M14, M15, M16)			
61	B1392630	GROMMET			
71	B1755943DF	SM & MD DRAIN PAN (HT)			
111	0270D00270	TUBING ASSY, EVAP COIL (M1)			
111	0270D00271	TUBING ASSY, EVAP COIL (M3)			
111	0270D00272	TUBING ASSY, EVAP COIL (M5)			
111	0270D00273	TUBING ASSY, EVAP COIL (M7)			
111	0270D00274	TUBING ASSY, EVAP COIL (M9)			
111	0270D00275	TUBING ASSY, EVAP COIL (M11)			
111	0270D00276	TUBING ASSY, EVAP COIL (M13)			
111	0270D00277	TUBING ASSY, EVAP COIL (M15)			
111	0270D00494	TUBING ASSY, EVAP COIL (M2)			
111	0270D00495	TUBING ASSY, EVAP COIL (M4)			
111	0270D00496	TUBING ASSY, EVAP COIL (M6)			
111	0270D00497	TUBING ASSY, EVAP COIL (M8)			
111	0270D00498	TUBING ASSY, EVAP COIL (M10)			
111	0270D00499	TUBING ASSY, EVAP COIL (M12)			
111	0270D00500	TUBING ASSY, EVAP COIL (M14)			
111	0270D00501	TUBING ASSY, EVAP COIL (M16)			
121	BT1787000	VALVE CORE			
151	3810022D	BOTTOM RAIL BRACKET (QTY 2)			
211	B1373311	ACCESS VALVE FITTING			
231	BT1369063	90 DEGREE STUB			
331	B9102097	CAP W/O-RING			
NS	0162D00049	FLOWRATOR (M1, M2)			
NS	0162D00050	FLOWRATOR (M3, M4)			
NS	0162D00051	FLOWRATOR (M5, M6)			
NS	0162D00052	FLOWRATOR (M7, M8)			
NS	0162D00053	FLOWRATOR (M9, M10)			
NS	0162D00054	FLOWRATOR (M11, M12)			
NS	0162D00055	FLOWRATOR (M13, M14)			
NS	0162D00056	FLOWRATOR (M15, M16)			