

REPAIR PARTS

CAUFA Indoor Uncased Coil

CAUFA1714A6AA
CAUFA1714B6AA
CAUFA1818A6BA
CAUFA1818B6BA
CAUFA1818C6AA
CAUFA1818C6BA
CAUFA2318A6AA
CAUFA2318B6AA
CAUFA2318C6AA
CAUFA2418A6AA
CAUFA2418B6AA
CAUFA2418C6AA
CAUFA2422A6AA
CAUFA2422B6AA
CAUFA2422C6AA
CAUFA2922A6AA
CAUFA2922B6AA
CAUFA2922C6AA
CAUFA3022A6AA
CAUFA3022B6AA
CAUFA3022C6AA
CAUFA3022D6AA
CAUFA3526B6AA
CAUFA3526C6AA
CAUFA3626B6AA
CAUFA3626C6AA
CAUFA3626D6AA
CAUFA4226B6AA
CAUFA4226C6AA
CAUFA4226D6AA



This manual is to be used by qualified technicians only.

This manual replaces RP-4326G.

© 2018 - 2020, 2021 Goodman Manufacturing Company, L.P. ♦ 5151 San Felipe St, Suite 500 ♦ Houston, TX 77056

Important Information

Index

Functional Parts List	3
Illustration and Parts	4 - 5

Views shown are for parts illustrations only, not servicing procedures

Text Codes:

AR - As Required

NA - Not Available

NS - Not Shown

00000000 - See Note

QTY - Quantity Example (QTY 3) (If Quantity not shown, Quantity = 1)

M - Model Example (M1) (If M Code not shown, then part is used on all Models)

Expanded Model Nomenclature:

Example M1 - Model#1 M2 - Model#2 M3 - Model#3

Goodman Manufacturing Company, L.P. is not responsible for personal injury or property damage resulting from improper service. Review all service information before beginning repairs.

Warranty service must be performed by an authorized technician, using authorized factory parts. If service is required after the warranty expires, Goodman Manufacturing Company, L.P. also recommends contacting an authorized technician and using authorized factory parts.

Goodman Manufacturing Company, L.P. reserves the right to discontinue, or change at any time, specifications or designs without notice or without incurring obligations.

For assistance within the U.S.A. contact:
Homeowner Support
Goodman Manufacturing Company, L.P.
19001 Kermier Road
Waller, Texas 77484
877-254-4729-Telephone
713-863-2382-Facsimile

For assistance outside the U.S.A. contact:
International Division
Goodman Manufacturing Company, L.P.
19001 Kermier Road
Waller, Texas 77484
713-861-2500-Telephone
713-863-2382-Facsimile

Functional Parts

Part No: **Description:**

0270D01040 TUBING ASSY, E COIL (M1)
 0270D01053 TUBING ASSY, E COIL (M21)
 0270D01037 TUBING ASSY, E COIL (M3, M10)
 0270D01051 TUBING ASSY, E COIL (M27)
 0270D01050 TUBING ASSY, E COIL (M26)
 0270D01049 TUBING ASSY, E COIL (M25)
 0270D01052 TUBING ASSY, E COIL (M20)
 0270D01041 TUBING ASSY, E COIL (M2)
 0270D01054 TUBING ASSY, E COIL (M22)
 0270D01055 TUBING ASSY, E COIL (M28)
 0270D01056 TUBING ASSY, E COIL (M29)
 0270D01057 TUBING ASSY, E COIL (M30)
 0270D01176 TUBING ASSY, E COIL (M23)
 0270D01177 TUBING ASSY, E COIL (M24)
 0270D01039 TUBING ASSY, E COIL (M5, M12)
 0270D01038 TUBING ASSY, E COIL (M4, M11)
 0270D01043 TUBING ASSY, E COIL (M13)
 0270D01044 TUBING ASSY, EVAP COIL (M14)
 0270D01045 TUBING ASSY, EVAP COIL (M15)
 0270D01079 TUBING ASSY, EVAP COIL (M8)
 0270D01080 TUBING ASSY, EVAP COIL (M9)
 0270D01085 TUBING ASSY, EVAP COIL (M6)
 0270D01122 TUBING ASSY, EVAP COIL (M19)
 0270D01087 TUBING ASSY, EVAP COIL (M17)
 0270D01088 TUBING ASSY, EVAP COIL (M18)
 0270D01147 TUBING ASSY, EVAP COIL (M16)
 0270D01078 TUBING ASSY, EVAP COIL (M7)

SPECIAL PARTS

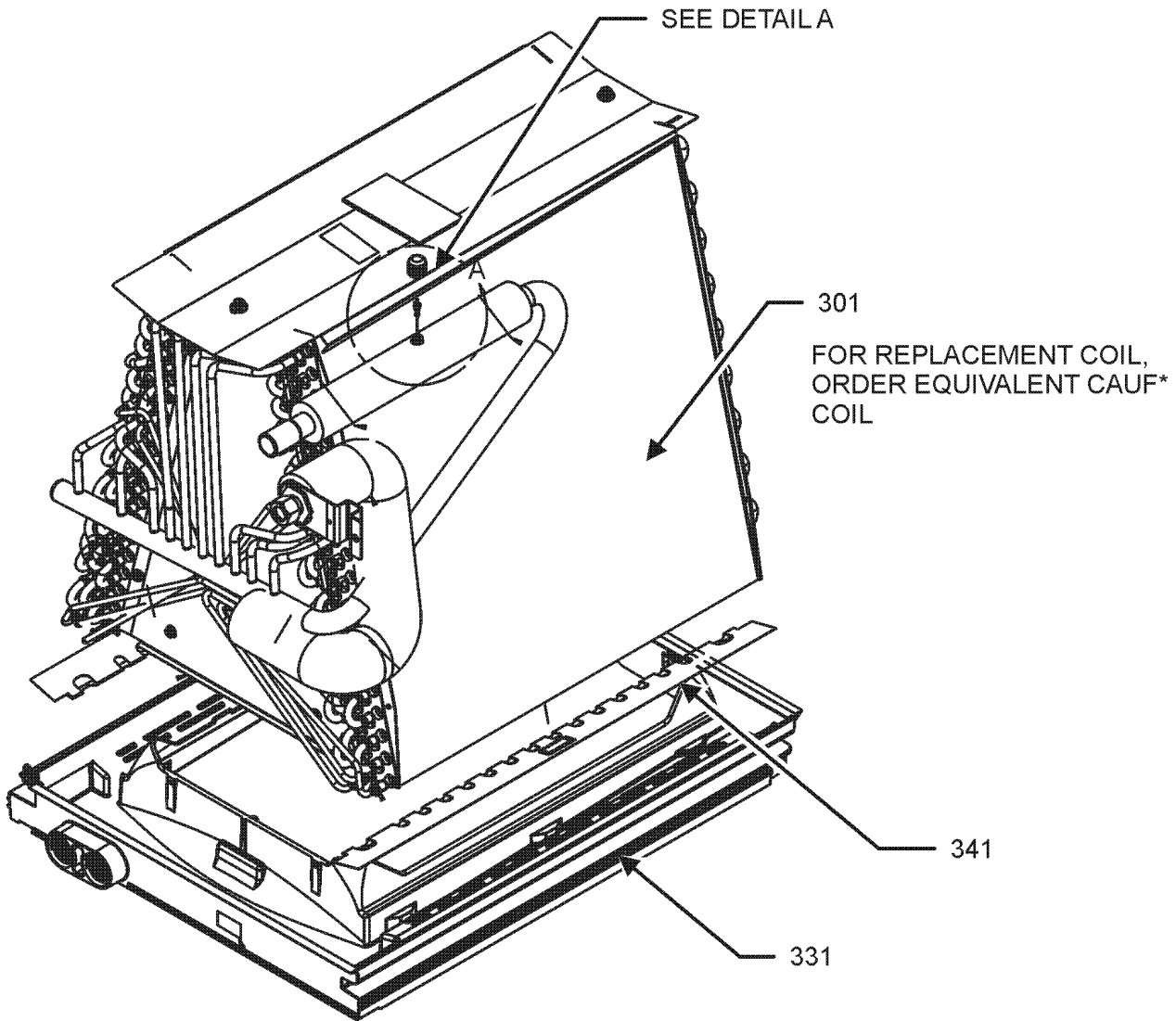
BT1369063 90 DEGREE STUB
 B1373311 ACCESS VALVE FITTING
 PKCG-4001ZB PISTON KIT CHART

Expanded Model Nomenclature

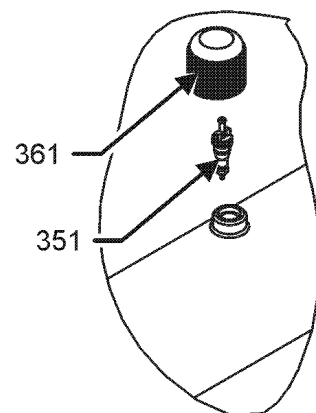
M1 - CAUFA1714A6AA
 M2 - CAUFA1714B6AA
 M3 - CAUFA1818A6BA
 M4 - CAUFA1818B6BA
 M5 - CAUFA1818C6AA
 M6 - CAUFA1818C6BA
 M7 - CAUFA2318A6AA
 M8 - CAUFA2318B6AA
 M9 - CAUFA2318C6AA
 M10 - CAUFA2418A6AA
 M11 - CAUFA2418B6AA
 M12 - CAUFA2418C6AA
 M13 - CAUFA2422A6AA
 M14 - CAUFA2422B6AA
 M15 - CAUFA2422C6AA
 M16 - CAUFA2922A6AA
 M17 - CAUFA2922B6AA
 M18 - CAUFA2922C6AA
 M19 - CAUFA3022A6AA
 M20 - CAUFA3022B6AA
 M21 - CAUFA3022C6AA
 M22 - CAUFA3022D6AA
 M23 - CAUFA3526B6AA
 M24 - CAUFA3526C6AA
 M25 - CAUFA3626B6AA
 M26 - CAUFA3626C6AA
 M27 - CAUFA3626D6AA
 M28 - CAUFA4226B6AA
 M29 - CAUFA4226C6AA
 M30 - CAUFA4226D6AA

COIL ASSEMBLY

COIL ASSEMBLY



TUBING ASSEMBLY MAY DIFFER
FROM WHAT IS SHOWN



COIL ASSEMBLY

Ref. Part No: No:	Description:	Ref. Part No: No:	Description:
Image 1:		Expanded Model Nomenclature	
301	0270D01037 TUBING ASSY, E COIL (M3, M10)	M1	CA UFA 1714A6AA
301	0270D01038 TUBING ASSY, E COIL (M4, M11)	M2	CA UFA 1714B6AA
301	0270D01039 TUBING ASSY, E COIL (M5, M12)	M3	CA UFA 1818A6BA
301	0270D01040 TUBING ASSY, E COIL (M1)	M4	CA UFA 1818B6BA
301	0270D01041 TUBING ASSY, E COIL (M2)	M5	CA UFA 1818C6AA
301	0270D01043 TUBING ASSY, E COIL (M13)	M6	CA UFA 1818C6BA
301	0270D01049 TUBING ASSY, E COIL (M25)	M7	CA UFA 2318A6AA
301	0270D01050 TUBING ASSY, E COIL (M26)	M8	CA UFA 2318B6AA
301	0270D01051 TUBING ASSY, E COIL (M27)	M9	CA UFA 2318C6AA
301	0270D01052 TUBING ASSY, E COIL (M20)	M10	CA UFA 2418A6AA
301	0270D01053 TUBING ASSY, E COIL (M21)	M11	CA UFA 2418B6AA
301	0270D01054 TUBING ASSY, E COIL (M22)	M12	CA UFA 2418C6AA
301	0270D01055 TUBING ASSY, E COIL (M28)	M13	CA UFA 2422A6AA
301	0270D01056 TUBING ASSY, E COIL (M29)	M14	CA UFA 2422B6AA
301	0270D01057 TUBING ASSY, E COIL (M30)	M15	CA UFA 2422C6AA
301	0270D01176 TUBING ASSY, E COIL (M23)	M16	CA UFA 2922A6AA
301	0270D01177 TUBING ASSY, E COIL (M24)	M17	CA UFA 2922B6AA
301	0270D01044 TUBING ASSY, EVAP COIL (M14)	M18	CA UFA 2922C6AA
301	0270D01045 TUBING ASSY, EVAP COIL (M15)	M19	CA UFA 3022A6AA
301	0270D01078 TUBING ASSY, EVAP COIL (M7)	M20	CA UFA 3022B6AA
301	0270D01079 TUBING ASSY, EVAP COIL (M8)	M21	CA UFA 3022C6AA
301	0270D01080 TUBING ASSY, EVAP COIL (M9)	M22	CA UFA 3022D6AA
301	0270D01085 TUBING ASSY, EVAP COIL (M6)	M23	CA UFA 3526B6AA
301	0270D01087 TUBING ASSY, EVAP COIL (M17)	M24	CA UFA 3526C6AA
301	0270D01088 TUBING ASSY, EVAP COIL (M18)	M25	CA UFA 3626B6AA
301	0270D01122 TUBING ASSY, EVAP COIL (M19)	M26	CA UFA 3626C6AA
301	0270D01147 TUBING ASSY, EVAP COIL (M16)	M27	CA UFA 3626D6AA
331	0161D00048 DRAIN PAN MAIN, E COIL (M1, M3, M7, M10, M13, M16, M19)	M28	CA UFA 4226B6AA
331	0161D00049 DRAIN PAN MAIN, E COIL (M2, M4, M8, M11, M14, M17, M20, M23, M25, M28)	M29	CA UFA 4226C6AA
331	0161D00050 DRAIN PAN MAIN, E COIL (M5, M6, M9, M12, M15, M18, M21, M24, M26, M29)	M30	CA UFA 4226D6AA
331	0161D00051 DRAIN PAN MAIN, E COIL (M22, M27, M30)		
351	B1787000 VALVE CORE		
361	0163M00175 CAP W/O-RING		
NS	BT1369063 90 DEGREE STUB		
NS	B1373311 ACCESS VALVE FITTING		
NS	PKCG-4001ZB PISTON KIT CHART		
NS	0163M00097 SCREW-WASHERED (QTY 2)		

FOR REPLACEMENT COIL, ORDER EQUIVALENT CAUF* COIL.