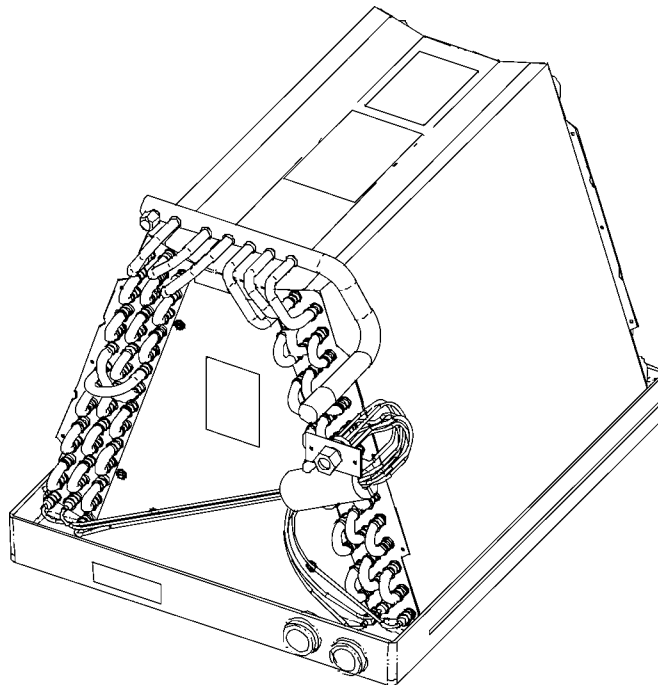


REPAIR PARTS

CAUF 13 SEER Uncased Evaporator Coils

CAUF1824A6BA
CAUF1824B6CA
CAUF1824C6BA
CAUF3030A6BA
CAUF3030B6BA
CAUF3030C6BA
CAUF3030D6BA
CAUF3131B6BA
CAUF3131C6CA
CAUF3636A6BA
CAUF3636B6BA
CAUF3636C6BA
CAUF3636D6BA
CAUF3642C6BA
CAUF3642D6BA
CAUF3743C6AA
CAUF3743D6AA
CAUF4860C6BA
CAUF4860D6BA
CAUF4961C6AA
CAUF4961D6AA



Goodman Manufacturing Company, L.P.
5151 San Felipe, Suite 500
Houston, TX 77056

www.goodmanmfg.com www.amana-hac.com

RP-472
August 2007

Important Information

Index

Functional Parts List	3
Illustration and Parts	4 - 5

Views shown are for parts illustrations only, not servicing procedures

Text Codes:

AR - As Required

NA - Not Available

NS - Not Shown

00000000 - See Note

QTY - Quantity Example (QTY 3) (If Quantity not shown, Quantity = 1)

M - Model Example (M1) (If M Code not shown, then part is used on all Models)

Expanded Model Nomenclature:

Example

M1 - Model#1

M2 - Model#2

M3 - Model#3

Goodman Manufacturing Company, L.P. is not responsible for personal injury or property damage resulting from improper service. Review all service information before beginning repairs.

Warranty service must be performed by an authorized technician, using authorized factory parts. If service is required after the warranty expires, Goodman Manufacturing Company, L.P. also recommends contacting an authorized technician and using authorized factory parts.

Goodman Manufacturing Company, L.P. reserves the right to discontinue, or change at any time, specifications or designs without notice or without incurring obligations.

For assistance within the U.S.A. contact:

Consumer Affairs Department

Goodman Manufacturing Company, L.P.

7401 Security Way

Houston, Texas 77040

877-254-4729-Telephone

713-863-2382-Facsimile

For assistance outside the U.S.A. contact:

International Division

Goodman Manufacturing Company, L.P.

7401 Security Way

Houston, Texas 77040

713-861-2500-Telephone

713-863-2382-Facsimile

Functional Parts

Part

No: Description:

0162D00018	FLOWRATOR W/BRACKET (M14, M15, M16, M17)
0162D00028	FLOWRATOR W/BRACKET (M1, M2, M3)
0162D00015	FLOWRATOR W/BRACKET (M4, M5, M6, M7)
0162D00016	FLOWRATOR W/BRACKET (M8, M9)
0162D00017	FLOWRATOR W/BRACKET (M10, M11, M12, M13)
0162D00019	FLOWRATOR W/BRACKET (M18, M19, M20, M21)

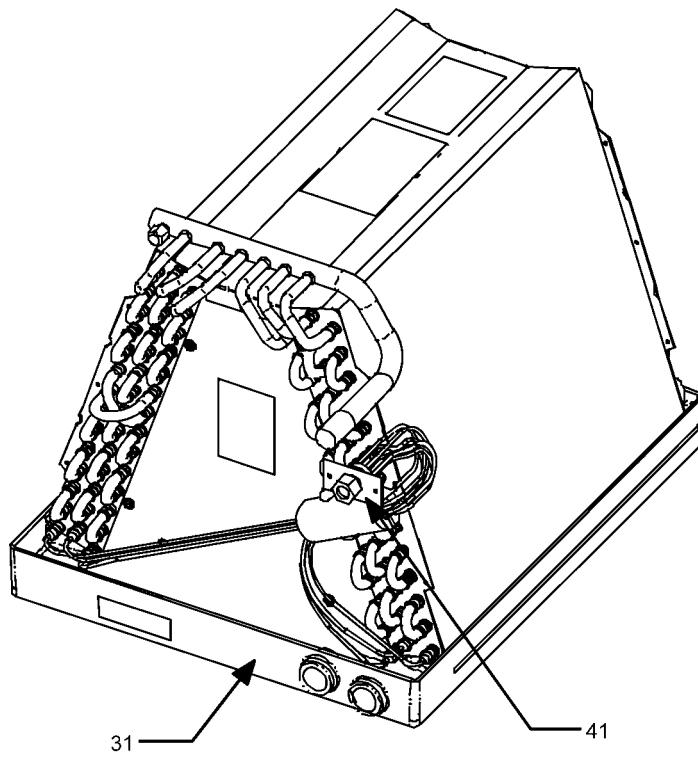
SPECIAL PARTS

IO-284B	INSTALLATION INSTRUCTIONS
PKC-00X	PISTON KIT CHART
RP-472	REPAIR PARTS MANUAL

Expanded Model Nomenclature

M1 - CAUF1824A6BA
M2 - CAUF1824B6CA
M3 - CAUF1824C6BA
M4 - CAUF3030A6BA
M5 - CAUF3030B6BA
M6 - CAUF3030C6BA
M7 - CAUF3030D6BA
M8 - CAUF3131B6BA
M9 - CAUF3131C6CA
M10 - CAUF3636A6BA
M11 - CAUF3636B6BA
M12 - CAUF3636C6BA
M13 - CAUF3636D6BA
M14 - CAUF3642C6BA
M15 - CAUF3642D6BA
M16 - CAUF3743C6AA
M17 - CAUF3743D6AA
M18 - CAUF4860C6BA
M19 - CAUF4860D6BA
M20 - CAUF4961C6AA
M21 - CAUF4961D6AA

ASSEMBLY



ASSEMBLY

Ref Part No:	Description:	Ref. Part No:	Description:
--------------	--------------	---------------	--------------

Image 1:

31	BT5076502	DRAIN PAN LRG (M3, M6, M9, M12, M14, M16, M18, M20)
31	BT5076501	DRAIN PAN MED (M2, M5, M8, M11)
31	BT5076500	DRAIN PAN SML (M1, M4, M10)
31	BT5076503	DRAIN PAN XLG (M7, M13, M15, M17, M19, M21)
41	0162D00015	FLOWRATOR W/BRACKET (M4, M5, M6, M7)
41	0162D00016	FLOWRATOR W/BRACKET (M8, M9)
41	0162D00017	FLOWRATOR W/BRACKET (M10, M11, M12, M13)
41	0162D00018	FLOWRATOR W/BRACKET (M14, M15, M16, M17)
41	0162D00019	FLOWRATOR W/BRACKET (M18, M19, M20, M21)
41	0162D00028	FLOWRATOR W/BRACKET (M1, M2, M3)

Expanded Model Nomenclature

M1 - CAUF1824A6BA
M2 - CAUF1824B6CA
M3 - CAUF1824C6BA
M4 - CAUF3030A6BA
M5 - CAUF3030B6BA
M6 - CAUF3030C6BA
M7 - CAUF3030D6BA
M8 - CAUF3131B6BA
M9 - CAUF3131C6CA
M10 - CAUF3636A6BA
M11 - CAUF3636B6BA
M12 - CAUF3636C6BA
M13 - CAUF3636D6BA
M14 - CAUF3642C6BA
M15 - CAUF3642D6BA
M16 - CAUF3743C6AA
M17 - CAUF3743D6AA
M18 - CAUF4860C6BA
M19 - CAUF4860D6BA
M20 - CAUF4961C6AA
M21 - CAUF4961D6AA

IF A REPLACEMENT COIL IS NEEDED, PLEASE REFER TO THE CORRESPONDING UNCASSED COIL (CAUF).