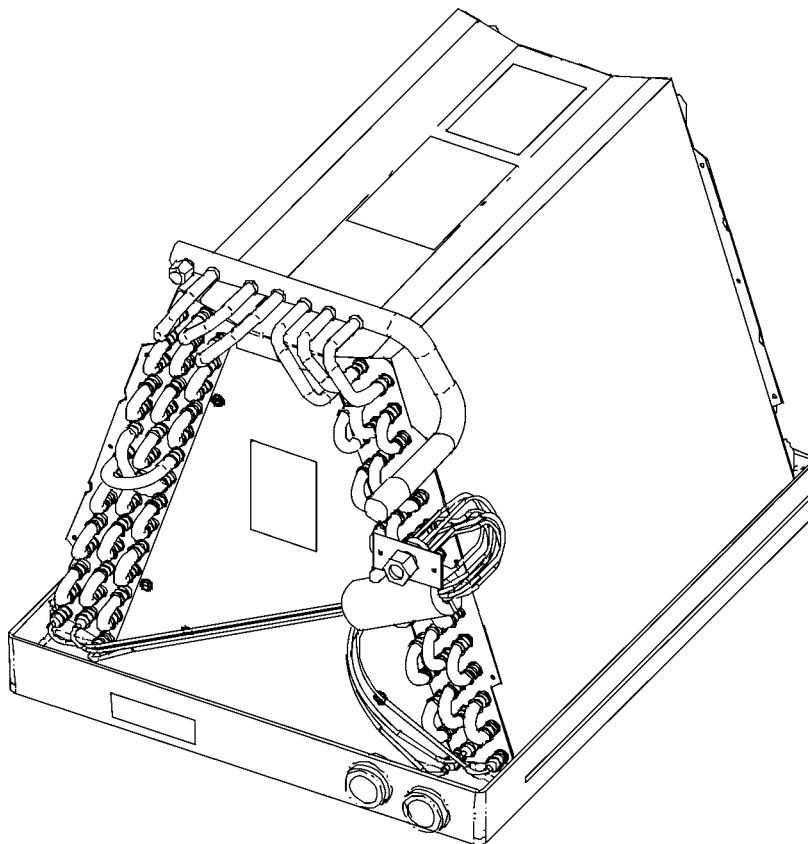


# REPAIR PARTS

## CAUF 13 SEER Uncased Evaporator Coils

---

CAUF3636A6CA  
CAUF3636B6CA  
CAUF3636C6CA  
CAUF3636D6CA  
CAUF3642C6CA  
CAUF3642D6CA



This manual is to be used by qualified technicians only.

© 2009 Goodman Manufacturing Company, L.P. ♦ 5151 San Felipe, Suite 500 ♦ Houston, TX 77056

# Important Information

---

## Index

Functional Parts List .....	3
Illustration and Parts .....	4 - 5

*Views shown are for parts illustrations only, not servicing procedures.*

### Text Codes:

AR - As Required

NA - Not Available

NS - Not Shown

00000000 - See Note

QTY - Quantity Example (QTY 3) (If Quantity not shown, Quantity = 1)

M - Model Example (M1) (If M Code not shown, then part is used on all Models)

### Expanded Model Nomenclature:

Example M1 - Model#1 M2 - Model#2 M3 - Model#3
---

Goodman Manufacturing Company, L.P. is not responsible for personal injury or property damage resulting from improper service. Review all service information before beginning repairs.

Warranty service must be performed by an authorized technician, using authorized factory parts. If service is required after the warranty expires, Goodman Manufacturing Company, L.P. also recommends contacting an authorized technician and using authorized factory parts.

Goodman Manufacturing Company, L.P. reserves the right to discontinue, or change at any time, specifications or designs without notice or without incurring obligations.

For assistance within the U.S.A. contact:  
Consumer Affairs Department  
Goodman Manufacturing Company, L.P.  
7401 Security Way  
Houston, Texas 77040  
877-254-4729-Telephone  
713-863-2382-Facsimile

For assistance outside the U.S.A. contact:  
International Division  
Goodman Manufacturing Company, L.P.  
7401 Security Way  
Houston, Texas 77040  
713-861-2500-Telephone  
713-863-2382-Facsimile

# Functional Parts

**Part**

**No: Description:**

---

**SPECIAL PARTS**

IO-284B INSTALLATION INSTRUCTIONS

PKC-0AC PISTON KIT CHART

RP-553 REPAIR PARTS MANUAL

Expanded Model Nomenclature

M1 - CAUF3636A6CA

M2 - CAUF3636B6CA

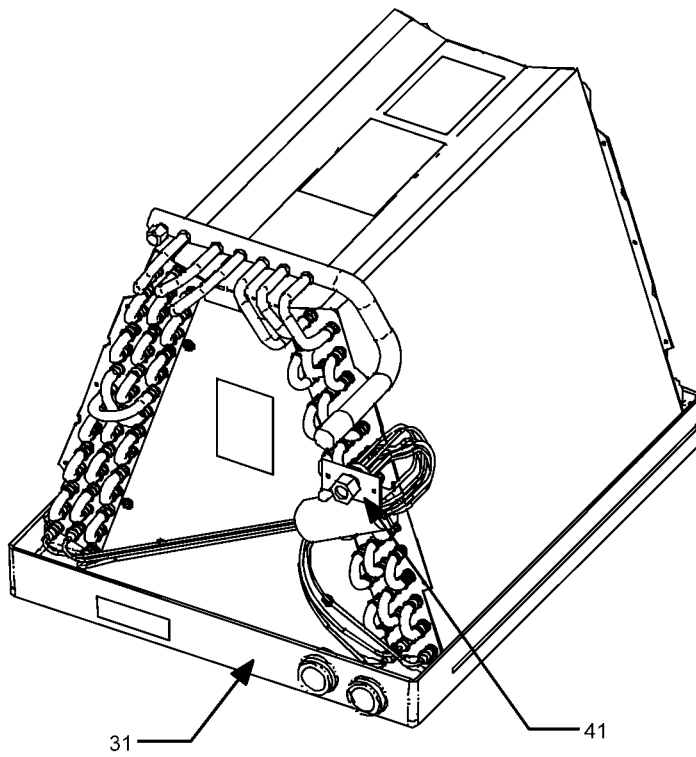
M3 - CAUF3636C6CA

M4 - CAUF3636D6CA

M5 - CAUF3642C6CA

M6 - CAUF3642D6CA

# ASSEMBLY



# ASSEMBLY

Ref. Part No:	No:	Description:	Ref. Part No:	No:	Description:
---------------	-----	--------------	---------------	-----	--------------

Image 1:

31	BT5076502	DRAIN PAN LRG (M3, M5)
31	BT5076501	DRAIN PAN MED (M2)
31	BT5076500	DRAIN PAN SML (M1)
31	BT5076503	DRAIN PAN XLRG (M4, M6)
41	0162D00017	FLOWRATOR W/BRKT (M1, M2, M3, M4)
41	0162D00018	FLOWRATOR W/BRKT. (M5, M6)

Expanded Model Nomenclature

M1 - CAUF3636A6CA
M2 - CAUF3636B6CA
M3 - CAUF3636C6CA
M4 - CAUF3636D6CA
M5 - CAUF3642C6CA
M6 - CAUF3642D6CA

WHEN REQUESTING A REPLACEMENT COIL, PLEASE REFERENCE THE PRODUCTION A-COIL (CAUF) FOR SERVICE.

