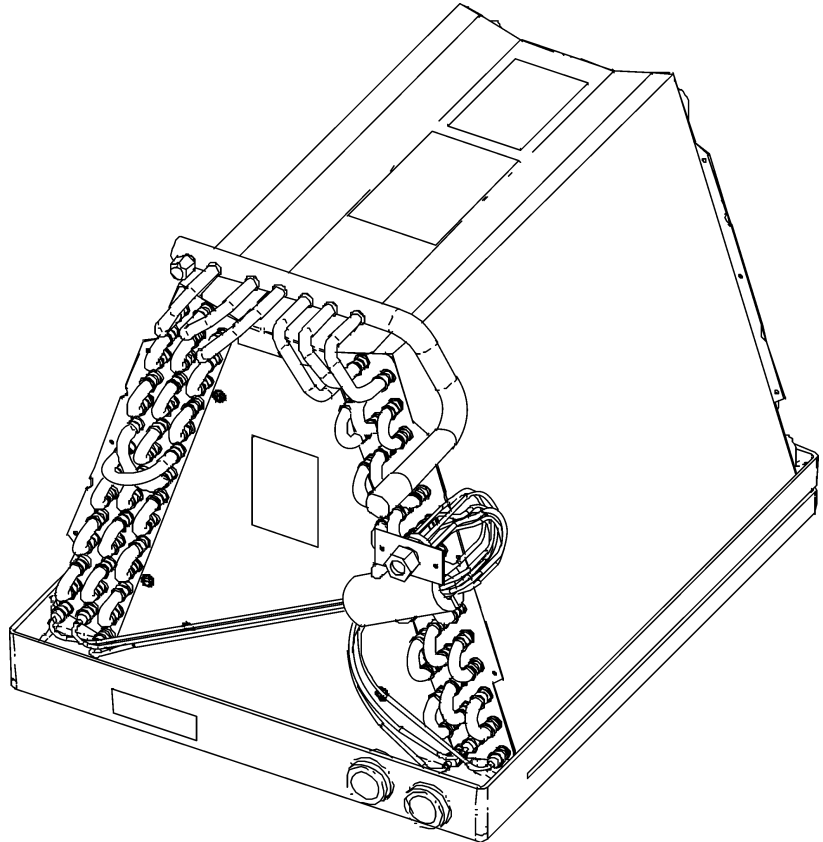


# REPAIR PARTS

---

## CAUF Uncased Aluminum Evaporator Coil

CAUF1824A6DB  
CAUF1824A6RDB  
CAUF1824B6DB  
CAUF1824B6RDB  
CAUF1824C6DB  
CAUF3030A6DB  
CAUF3030A6RDB  
CAUF3030B6DB  
CAUF3030B6RDB  
CAUF3030C6DB  
CAUF3030C6RDB  
CAUF3030D6DB  
CAUF3030D6RDB  
CAUF3131B6DB  
CAUF3131B6RDB  
CAUF3131C6DB  
CAUF3131C6RDB  
CAUF3636A6DB  
CAUF3636B6DB  
CAUF3636C6DB  
CAUF3636D6DB  
CAUF3642C6DB  
CAUF3642D6DB  
CAUF3743C6DB  
CAUF3743D6DB  
CAUF4860C6DB  
CAUF4860D6DB  
CAUF4961C6DB  
CAUF4961D6DB



This manual is to be used by qualified technicians only.

This manual replaces RP-721A.

© 2012,2015 Goodman Manufacturing Company, L.P. ♦ 5151 San Felipe St., Suite 500 ♦ Houston, TX 77056

# Important Information

---

## Index

Functional Parts List .....	3
Illustration and Parts .....	4 - 5

*Views shown are for parts illustrations only, not servicing procedures*

### Text Codes:

AR - As Required

NA - Not Available

NS - Not Shown

00000000 - See Note

QTY - Quantity Example (QTY 3) (If Quantity not shown, Quantity = 1)

M - Model Example (M1) (If M Code not shown, then part is used on all Models)

### Expanded Model Nomenclature:

Example M1 - Model#1 M2 - Model#2 M3 - Model#3
---

Goodman Manufacturing Company, L.P. is not responsible for personal injury or property damage resulting from improper service. Review all service information before beginning repairs.

Warranty service must be performed by an authorized technician, using authorized factory parts. If service is required after the warranty expires, Goodman Manufacturing Company, L.P. also recommends contacting an authorized technician and using authorized factory parts.

Goodman Manufacturing Company, L.P. reserves the right to discontinue, or change at any time, specifications or designs without notice or without incurring obligations.

For assistance within the U.S.A. contact:  
Consumer Affairs Department  
Goodman Manufacturing Company, L.P.  
7401 Security Way  
Houston, Texas 77040  
877-254-4729-Telephone  
713-863-2382-Facsimile

For assistance outside the U.S.A. contact:  
International Division  
Goodman Manufacturing Company, L.P.  
7401 Security Way  
Houston, Texas 77040  
713-861-2500-Telephone  
713-863-2382-Facsimile

# Functional Parts

Part

No:            Description:

---

## SPECIAL PARTS

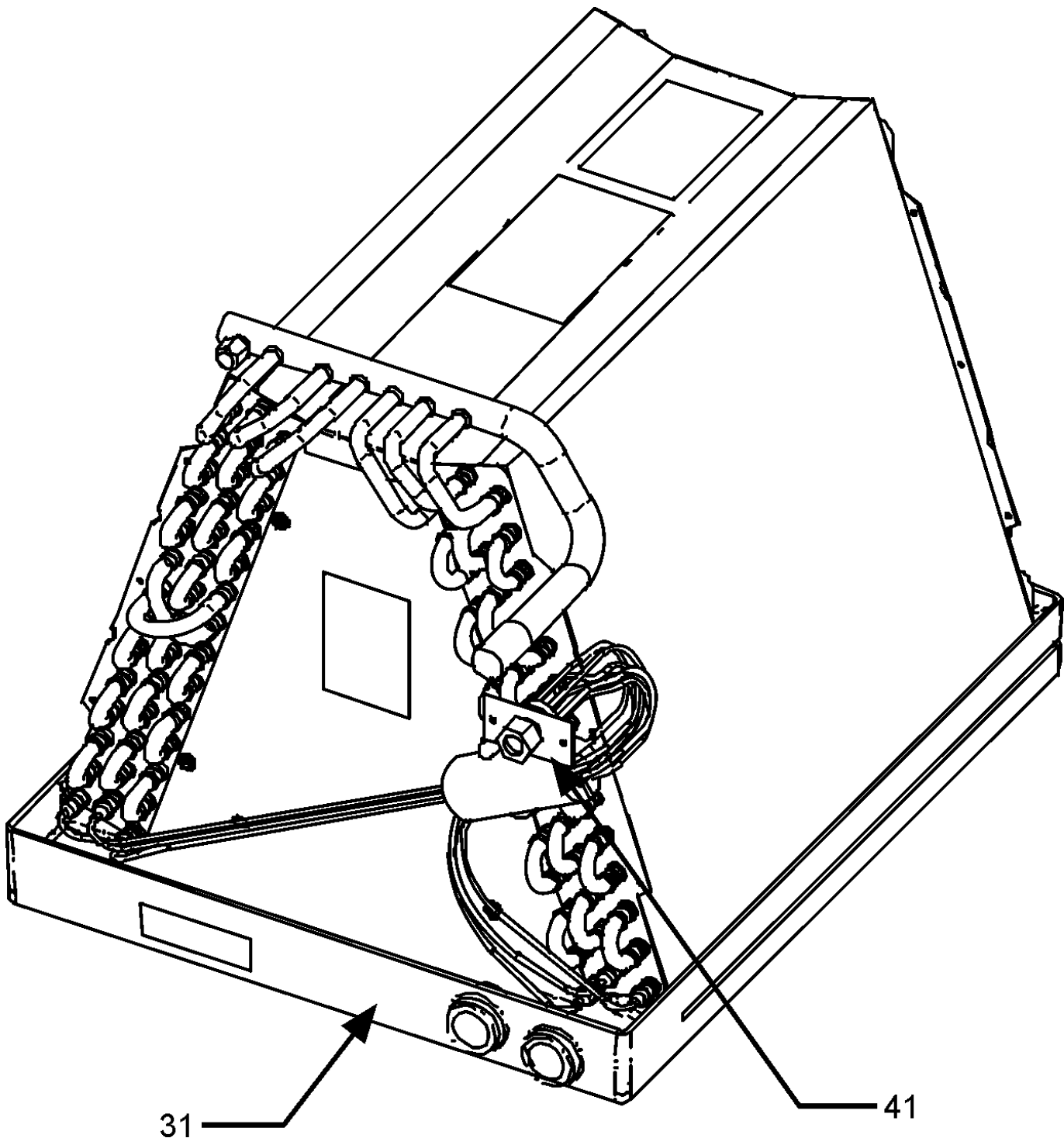
PKCG-4001J

PISTON KIT CHART

### Expanded Model Nomenclature

M1 - CAUF1824A6DB
M2 - CAUF1824A6RDB
M3 - CAUF1824B6DB
M4 - CAUF1824B6RDB
M5 - CAUF1824C6DB
M6 - CAUF3030A6DB
M7 - CAUF3030A6RDB
M8 - CAUF3030B6DB
M9 - CAUF3030B6RDB
M10 - CAUF3030C6DB
M11 - CAUF3030C6RDB
M12 - CAUF3030D6DB
M13 - CAUF3030D6RDB
M14 - CAUF3131B6DB
M15 - CAUF3131B6RDB
M16 - CAUF3131C6DB
M17 - CAUF3131C6RDB
M18 - CAUF3636A6DB
M19 - CAUF3636B6DB
M20 - CAUF3636C6DB
M21 - CAUF3636D6DB
M22 - CAUF3642C6DB
M23 - CAUF3642D6DB
M24 - CAUF3743C6DB
M25 - CAUF3743D6DB
M26 - CAUF4860C6DB
M27 - CAUF4860D6DB
M28 - CAUF4961C6DB
M29 - CAUF4961D6DB

# Assembly



# Assembly

Ref. Part No:	No:	Description:	Ref. Part No:	No:	Description:
<i>Image 1:</i>					
31	BT5076502DF	DRAIN PAN LARGE (M5, M10, M11, M16, M17, M20, M22, M24, M26, M28)			
31	BT5076501DF	DRAIN PAN MEDIUM (M3, M4, M8, M9, M14, M15, M19)			
31	BT5076500DF	DRAIN PAN SMALL (M1, M2, M6, M7, M18)			
31	BT5076503DF	DRAIN PAN XLARGE (M12, M13, M21, M23, M25, M27, M29)			
NS	0163M00175	CAP WITH O-RING			
NS	B1787000	VALVE CORE			

## Expanded Model Nomenclature

M1 - CAUF1824A6DB
M2 - CAUF1824A6RDB
M3 - CAUF1824B6DB
M4 - CAUF1824B6RDB
M5 - CAUF1824C6DB
M6 - CAUF3030A6DB
M7 - CAUF3030A6RDB
M8 - CAUF3030B6DB
M9 - CAUF3030B6RDB
M10 - CAUF3030C6DB
M11 - CAUF3030C6RDB
M12 - CAUF3030D6DB
M13 - CAUF3030D6RDB
M14 - CAUF3131B6DB
M15 - CAUF3131B6RDB
M16 - CAUF3131C6DB
M17 - CAUF3131C6RDB
M18 - CAUF3636A6DB
M19 - CAUF3636B6DB
M20 - CAUF3636C6DB
M21 - CAUF3636D6DB
M22 - CAUF3642C6DB
M23 - CAUF3642D6DB
M24 - CAUF3743C6DB
M25 - CAUF3743D6DB
M26 - CAUF4860C6DB
M27 - CAUF4860D6DB
M28 - CAUF4961C6DB
M29 - CAUF4961D6DB