

# REPAIR PARTS

---

## CAPFA Indoor Cased Coil

CAPFA1714A6AA  
CAPFA1714B6AA  
CAPFA1818A6BA  
CAPFA1818B6BA  
CAPFA1818C6AA  
CAPFA1818C6BA  
CAPFA2318A6AA  
CAPFA2318B6AA  
CAPFA2318C6AA  
CAPFA2418A6AA  
CAPFA2418B6AA  
CAPFA2418C6AA  
CAPFA2422A6AA  
CAPFA2422B6AA  
CAPFA2422C6AA  
CAPFA2922A6AA  
CAPFA2922B6AA  
CAPFA2922C6AA  
CAPFA3022A6AA  
CAPFA3022B6AA  
CAPFA3022C6AA  
CAPFA3022D6AA  
CAPFA3526B6AA  
CAPFA3526C6AA  
CAPFA3626B6AA  
CAPFA3626C6AA  
CAPFA3626D6AA  
CAPFA4226B6AA  
CAPFA4226C6AA  
CAPFA4226D6AA



This manual is to be used by qualified technicians only.

This manual replaces RP-4328G.

© 2018 - 2020, 2021 Goodman Manufacturing Company, L.P. ♦ 5151 San Felipe St, Suite 500 ♦ Houston, TX 77056

# Important Information

---

## Index

Functional Parts List .....	3
Illustration and Parts .....	4 - 5

*Views shown are for parts illustrations only, not servicing procedures*

### Text Codes:

AR - As Required

NA - Not Available

NS - Not Shown

00000000 - See Note

QTY - Quantity Example (QTY 3) (If Quantity not shown, Quantity = 1)

M - Model Example (M1) (If M Code not shown, then part is used on all Models)

### Expanded Model Nomenclature:

Example M1 - Model#1 M2 - Model#2 M3 - Model#3
---

Goodman Manufacturing Company, L.P. is not responsible for personal injury or property damage resulting from improper service. Review all service information before beginning repairs.

Warranty service must be performed by an authorized technician, using authorized factory parts. If service is required after the warranty expires, Goodman Manufacturing Company, L.P. also recommends contacting an authorized technician and using authorized factory parts.

Goodman Manufacturing Company, L.P. reserves the right to discontinue, or change at any time, specifications or designs without notice or without incurring obligations.

For assistance within the U.S.A. contact:  
Homeowner Support  
Goodman Manufacturing Company, L.P.  
19001 Kermier Road  
Waller, Texas 77484  
877-254-4729-Telephone  
713-863-2382-Facsimile

For assistance outside the U.S.A. contact:  
International Division  
Goodman Manufacturing Company, L.P.  
19001 Kermier Road  
Waller, Texas 77484  
713-861-2500-Telephone  
713-863-2382-Facsimile

# Functional Parts

**Part  
No:**

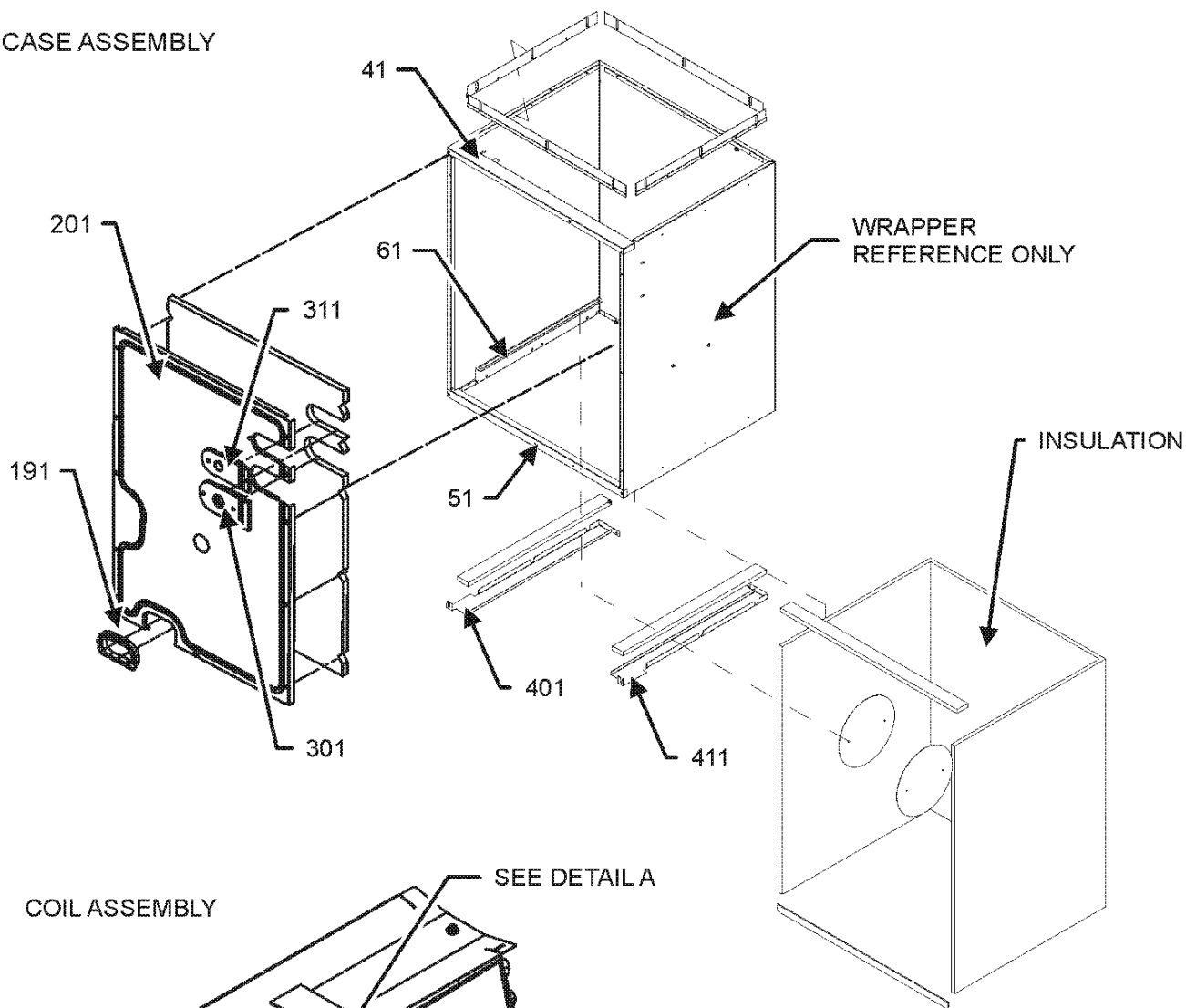
**Description:**

---

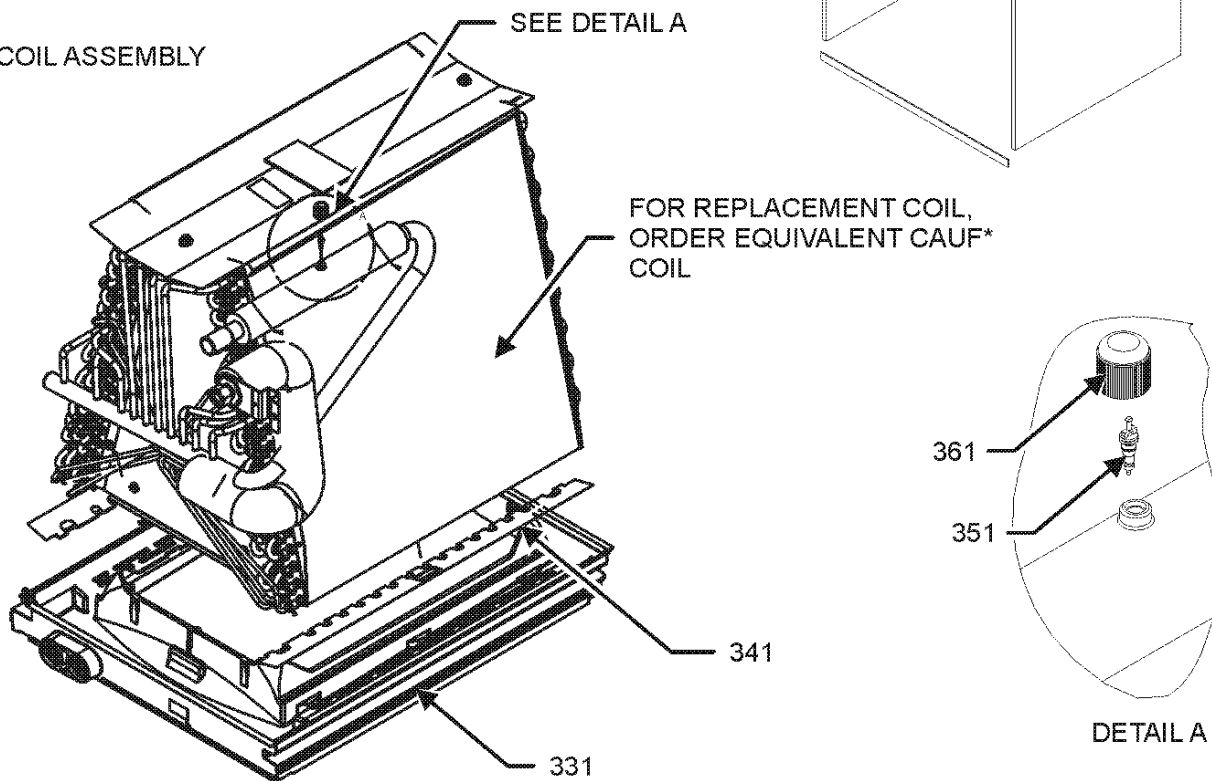
BT1369063	90 DEGREE STUB
B1373311	ACCESS VALVE FITTING
TP-109B	AL COIL-APPROVED CLEANING LIST
PKCG-4001ZB	PISTON KIT CHART

# CABINET AND COIL ASSEMBLY

## CASE ASSEMBLY



## COIL ASSEMBLY



# CABINET AND COIL ASSEMBLY

Ref. Part No:	Ref. Part No:	Description:	Description:
<b>Image 1:</b>		<b>Image 1:</b>	
41	0121D00304PDG	RAIL TOP, CASED E COIL,PAINTED (M1, M3, M7, M10, M13, M16, M19)	401 5001010 PLATE, LEFT BLOCK OFF (M2, M4, M5, M6, M8, M9, M11, M12, M14, M15, M17, M18, M20, M21, M22, M23, M24, M25, M26, M27, M28, M29, M30)
41	0121D00305PDG	RAIL TOP, CASED E COIL,PAINTED (M2, M4, M8, M11, M14, M17, M20)	411 5001011 PLATE, RIGHT BLOCK OFF (M2, M4, M5, M6, M8, M9, M11, M12, M14, M15, M17, M18, M20, M21, M22, M23, M24, M25, M26, M27, M28, M29, M30)
41	0121D00306PDG	RAIL TOP, CASED E COIL,PAINTED (M5, M6, M9, M12, M15, M18, M21, M24, M26, M29)	NS BT1369063 90 DEGREE STUB
41	0121D00307PDG	RAIL TOP, CASED E COIL,PAINTED (M22, M27, M30)	NS B1373311 ACCESS VALVE FITTING
41	0121D00756PDG	RAIL TOP, CASED E COIL,PAINTED (M23, M25, M28)	NS TP-109B AL COIL-APPROVED CLEANING LIST
51	0121D00502PDG	RAIL BOTTOM,CASED COIL,PAINTED (M1, M3, M7, M10, M13, M16, M19)	NS 5001213 FLANGE FRONT-REAR MED (M2, M4, M8, M11, M14, M17, M20, M23, M25)
51	0121D00503PDG	RAIL BOTTOM,CASED COIL,PAINTED (M2, M4, M8, M11, M14, M17, M20, M23, M25, M28)	NS 5001212 FLANGE FRONT-REAR SM (M1, M3, M7, M10, M13, M16, M19)
51	0121D00504PDG	RAIL BOTTOM,CASED COIL,PAINTED (M5, M6, M9, M12, M15, M18, M21, M24, M26, M29)	NS 5001215 FLANGE FRONT-REAR XLG (M22, M27, M30)
51	0121D00505PDG	RAIL BOTTOM,CASED COIL,PAINTED (M22, M27, M30)	NS 5001211 FLANGE SIDE (QTY 2)
191	0154A00047	GASKET, DRAIN PAN	NS PKCG-4001ZB PISTON KIT CHART
201	0121D00539PDG	PNL ACCESS PNT, CASED E COIL (M3, M7, M10)	NS B1393530 SCREW, HWH, 10X1/2A,YZD,SLOT SR (M28, M29, M30)
201	0121D00540PDG	PNL ACCESS PNT, CASED E COIL (M4, M8, M11)	
201	0121D00541PDG	PNL ACCESS PNT, CASED E COIL (M5, M6, M9, M12)	
201	0121D00565PDG	PNL ACCESS PNT, CASED E COIL (M1)	
201	0121D00566PDG	PNL ACCESS PNT, CASED E COIL (M2)	
201	0121D00717PDG	PNL ACCESS PNT, CASED E COIL (M13, M16, M19)	
201	0121D00543PDG	PNL ACCESS, PAINTED (M15, M18, M21)	
201	0121D00544PDG	PNL ACCESS, PAINTED (M22)	
201	0121D00545PDG	PNL ACCESS, PAINTED (M14, M17, M20)	
201	0121D00597PDG	PNL ACCESS, PAINTED (M24, M26, M29)	
201	0121D00600PDG	PNL ACCESS, PAINTED (M27, M30)	
201	0121D00758PDG	PNL ACCESS, PAINTED (M23, M25, M28)	
301	0154D00004	GROMMET, LIQUID (M1, M2, M3, M4, M5, M6, M7, M8, M9, M10, M11, M12, M13, M14, M15, M16, M17, M18, M19, M20, M21, M22, M23, M25, M28)	
301	0154D00013	GROMMET, LIQUID (M24, M26, M27, M29, M30)	
311	0154D00005	GROMMET, SUCTION (M1, M2, M3, M4, M5, M6, M7, M8, M9, M10, M11, M12, M13, M14, M15, M16, M17, M18, M19, M20, M21, M22)	
311	0154D00014	GROMMET, SUCTION (M23, M24, M25, M26, M27, M28, M29, M30)	
331	0161D00048	DRAIN PAN MAIN, E COIL (M1, M3, M7, M10, M13, M16, M19)	
331	0161D00049	DRAIN PAN MAIN, E COIL (M2, M4, M8, M11, M14, M17, M20, M23, M25, M28)	
331	0161D00050	DRAIN PAN MAIN, E COIL (M5, M6, M9, M12, M15, M18, M21, M24, M26, M29)	
331	0161D00051	DRAIN PAN MAIN, E COIL (M22, M27, M30)	
341	0121D00497	BLOCKOFF DOWNFLOW (QTY 2)	
351	B1787000	VALVE CORE	
361	0163M00175	CAP W/O-RING	

# CABINET AND COIL ASSEMBLY

Ref. Part

No: No:

Description:

Ref. Part

No: No:

Description:

Expanded Model Nomenclature

M1 - CAPFA1714A6AA  
M2 - CAPFA1714B6AA  
M3 - CAPFA1818A6BA  
M4 - CAPFA1818B6BA  
M5 - CAPFA1818C6AA  
M6 - CAPFA1818C6BA  
M7 - CAPFA2318A6AA  
M8 - CAPFA2318B6AA  
M9 - CAPFA2318C6AA  
M10 - CAPFA2418A6AA  
M11 - CAPFA2418B6AA  
M12 - CAPFA2418C6AA  
M13 - CAPFA2422A6AA  
M14 - CAPFA2422B6AA  
M15 - CAPFA2422C6AA  
M16 - CAPFA2922A6AA  
M17 - CAPFA2922B6AA  
M18 - CAPFA2922C6AA  
M19 - CAPFA3022A6AA  
M20 - CAPFA3022B6AA  
M21 - CAPFA3022C6AA  
M22 - CAPFA3022D6AA  
M23 - CAPFA3526B6AA  
M24 - CAPFA3526C6AA  
M25 - CAPFA3626B6AA  
M26 - CAPFA3626C6AA  
M27 - CAPFA3626D6AA  
M28 - CAPFA4226B6AA  
M29 - CAPFA4226C6AA  
M30 - CAPFA4226D6AA

FOR REPLACEMENT COIL, ORDER EQUIVALENT CAUF\*  
COIL.