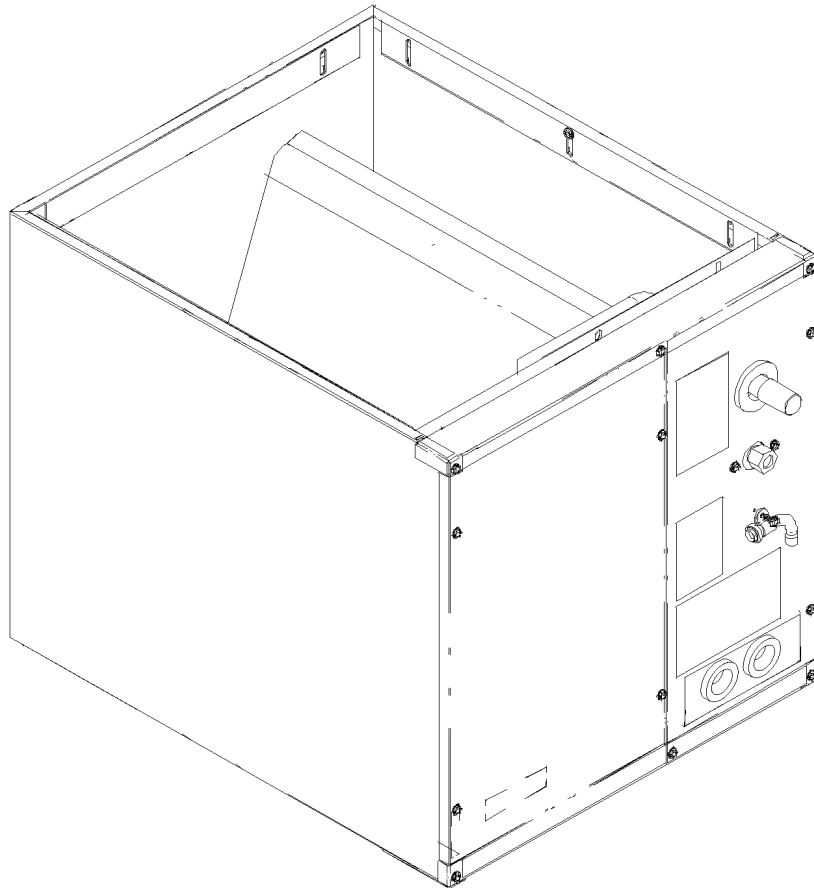


REPAIR PARTS

CAPF Cased Coils

CAPF3636A6CA
CAPF3636B6CA
CAPF3636C6CA
CAPF3636D6CA
CAPF3642C6CA
CAPF3642D6CA



This manual is to be used by qualified technicians only.

This manual replaces RP-552.

© 2008-2009 Goodman Manufacturing Company, L.P. ♦ 5151 San Felipe, Suite 500 ♦ Houston, TX 77056

Important Information

Index

Functional Parts List	3
Illustration and Parts	4 - 5

Views shown are for parts illustrations only, not servicing procedures.

Rev. A: Added model CAPF3636CB.

NOTE: If a replacement coil is needed, please refer to the corresponding uncased coil.

Text Codes:

AR - As Required

NA - Not Available

NS - Not Shown

00000000 - See Note

QTY - Quantity Example (QTY 3) (If Quantity not shown, Quantity = 1)

M - Model Example (M1) (If M Code not shown, then part is used on all Models)

Expanded Model Nomenclature:

Example M1 - Model#1 M2 - Model#2 M3 - Model#3

Goodman Manufacturing Company, L.P. is not responsible for personal injury or property damage resulting from improper service. Review all service information before beginning repairs.

Warranty service must be performed by an authorized technician, using authorized factory parts. If service is required after the warranty expires, Goodman Manufacturing Company, L.P. also recommends contacting an authorized technician and using authorized factory parts.

Goodman Manufacturing Company, L.P. reserves the right to discontinue, or change at any time, specifications or designs without notice or without incurring obligations.

For assistance within the U.S.A. contact:
Consumer Affairs Department
Goodman Manufacturing Company, L.P.
7401 Security Way
Houston, Texas 77040
877-254-4729-Telephone
713-863-2382-Facsimile

For assistance outside the U.S.A. contact:
International Division
Goodman Manufacturing Company, L.P.
7401 Security Way
Houston, Texas 77040
713-861-2500-Telephone
713-863-2382-Facsimile

Functional Parts

Part

No: Description:

SPECIAL PARTS

IO-284B INSTALLATION INSTRUCTIONS

PKC-01A PISTON KIT CHART

RP-552A REPAIR PARTS MANUAL

Expanded Model Nomenclature

M1 - CAPF3636A6CA

M2 - CAPF3636B6CA

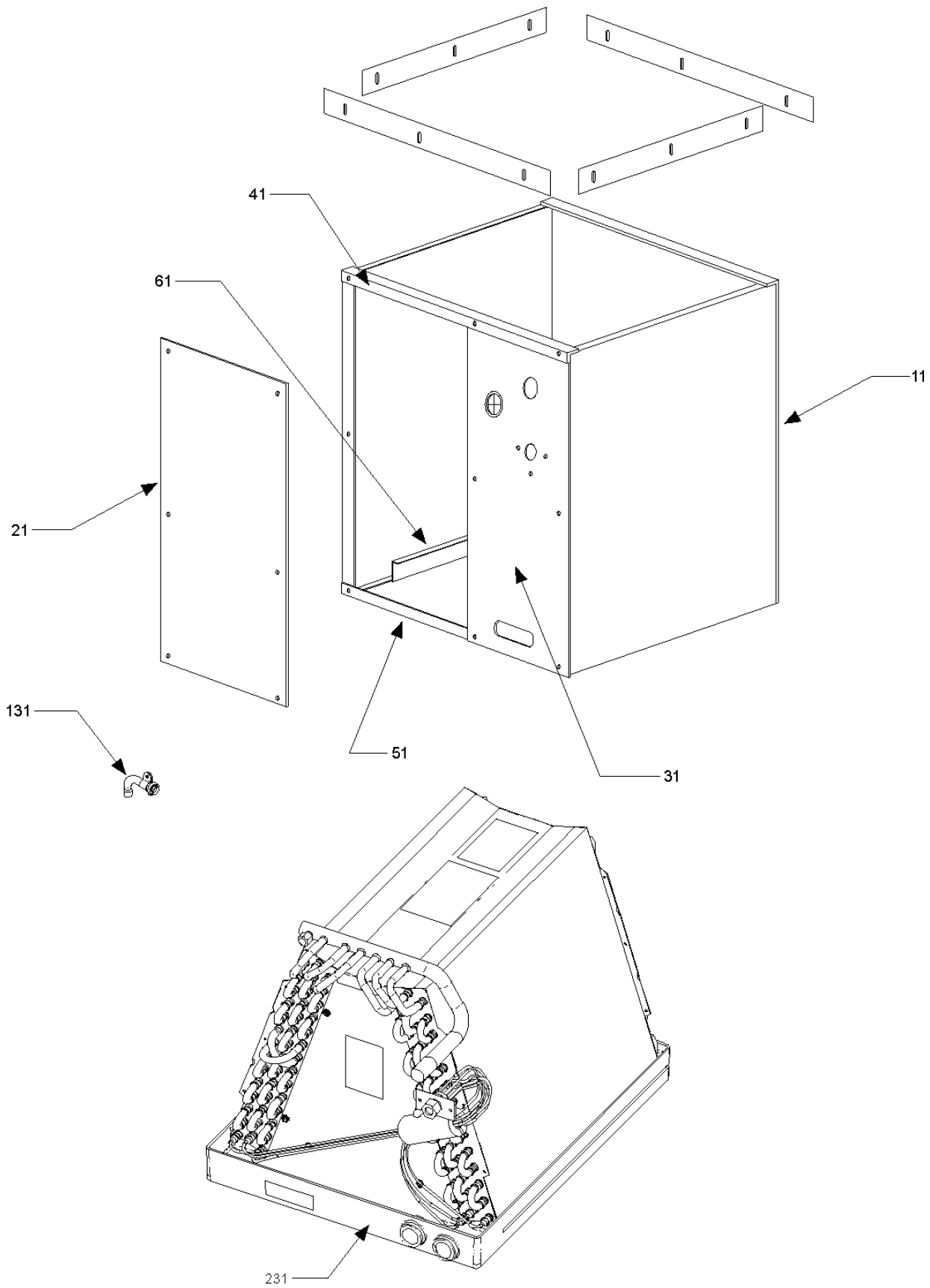
M3 - CAPF3636C6CA

M4 - CAPF3636D6CA

M5 - CAPF3642C6CA

M6 - CAPF3642D6CA

Case Assembly



Case Assembly

Ref. Part No:	Ref. Part No:	Description:	Description:
<i>Image 1:</i>			
11	5002000PDG	WRAPPER 14" X 22" SML (M1)	
11	5550823S	WRAPPER 17.5" X 22" MED (M2)	
11	5550823S	WRAPPER 17.5" X 22" MED. (M2)	
11	5002014PDG	WRAPPER 21" X 22" LRG (M3, M5)	
11	5002013PDG	WRAPPER 24.5" X 22" LRG (M4, M6)	
21	5001509PDG	DOOR LEFT 14" X 22" (M1)	
21	5001503PDG	DOOR LEFT 17.5" X 22" (M2)	
21	5001519PDG	DOOR LEFT 21" X 22" (M3, M5)	
21	5001518PDG	DOOR LEFT 24.5" X 22" (M4, M6)	
31	5001502PDG	DOOR RIGHT 22"	
41	5001200PDG	TOP RAIL 14" (M1)	
41	5001204PDG	TOP RAIL 17.5" (M2)	
41	5001207PDG	TOP RAIL 21" (M3, M5)	
41	5001208PDG	TOP RAIL 24.5" (M4, M6)	
51	5001201PDG	BOTTOM RAIL 14" (M1)	
51	5001205PDG	BOTTOM RAIL 17.5" (M2)	
51	5001209PDG	BOTTOM RAIL 21" (M3, M5)	
51	5001210PDG	BOTTOM RAIL 24.5" (M4, M6)	
61	5001206	DRAIN PAN RAIL (QTY 2)	
131	BT1369063	90 DEGREE STUB	
231	BT5076502	DRAIN PAN LRG (M3, M5)	
231	BT5076501	DRAIN PAN MED (M2)	
231	BT5076500	DRAIN PAN SML (M1)	
231	BT5076503	DRAIN PAN XLRG (M4, M6)	

Expanded Model Nomenclature

- M1 - CAPF3636A6CA
- M2 - CAPF3636B6CA
- M3 - CAPF3636C6CA
- M4 - CAPF3636D6CA
- M5 - CAPF3642C6CA
- M6 - CAPF3642D6CA

IF A REPLACEMENT COIL IS NEEDED, PLEASE REFER TO THE CORRESPONDING UNCASSED COIL (CAUF).

