

AWUT Electric Heat Air Handler

AWUT310516AD
AWUT310816AC
AWUT321016AC
AWUT370516AC
AWUT370816AC
AWUT371016AC



This manual is to be used by qualified technicians only.

Important Information

Index

Functional Parts List	3
Illustration and Parts	4 - 11

Views shown are for parts illustrations only, not servicing procedures.

New revisions for production site 004 {SLP}

Text Codes:

AR - As Required

NA - Not Available

NS - Not Shown

00000000 - See Note

QTY - Quantity Example (QTY 3) (If Quantity not shown, Quantity = 1)

M - Model Example (M1) (If M Code not shown, then part is used on all Models)

Expanded Model Nomenclature:

Example
M1 - Model#1
M2 - Model#2
M3 - Model#3

Daikin Comfort Technologies Manufacturing , L.P. is not responsible for personal injury or property damage resulting from improper service. Review all service information before beginning repairs.

Warranty service must be performed by an authorized technician, using authorized factory parts. If service is required after the warranty expires, Daikin Comfort Technologies Manufacturing , L.P. also recommends contacting an authorized technician and using authorized factory parts.

Daikin Comfort Technologies Manufacturing , L.P. reserves the right to discontinue, or change at any time, specifications or designs without notice or without incurring obligations.

For assistance within the U.S.A. contact:
Homeowner Support
Daikin Comfort Technologies Manufacturing , L.P.
19001 Kermier Road
Waller, Texas 77484
855-770-5678-Telephone
713-863-2382-Facsimile

For assistance outside the U.S.A. contact:
International Division
Daikin Comfort Technologies Manufacturing , L.P.
19001 Kermier Road
Waller, Texas 77484
713-861-2500-Telephone
713-863-2382-Facsimile

Functional Parts

Part

No: Description:

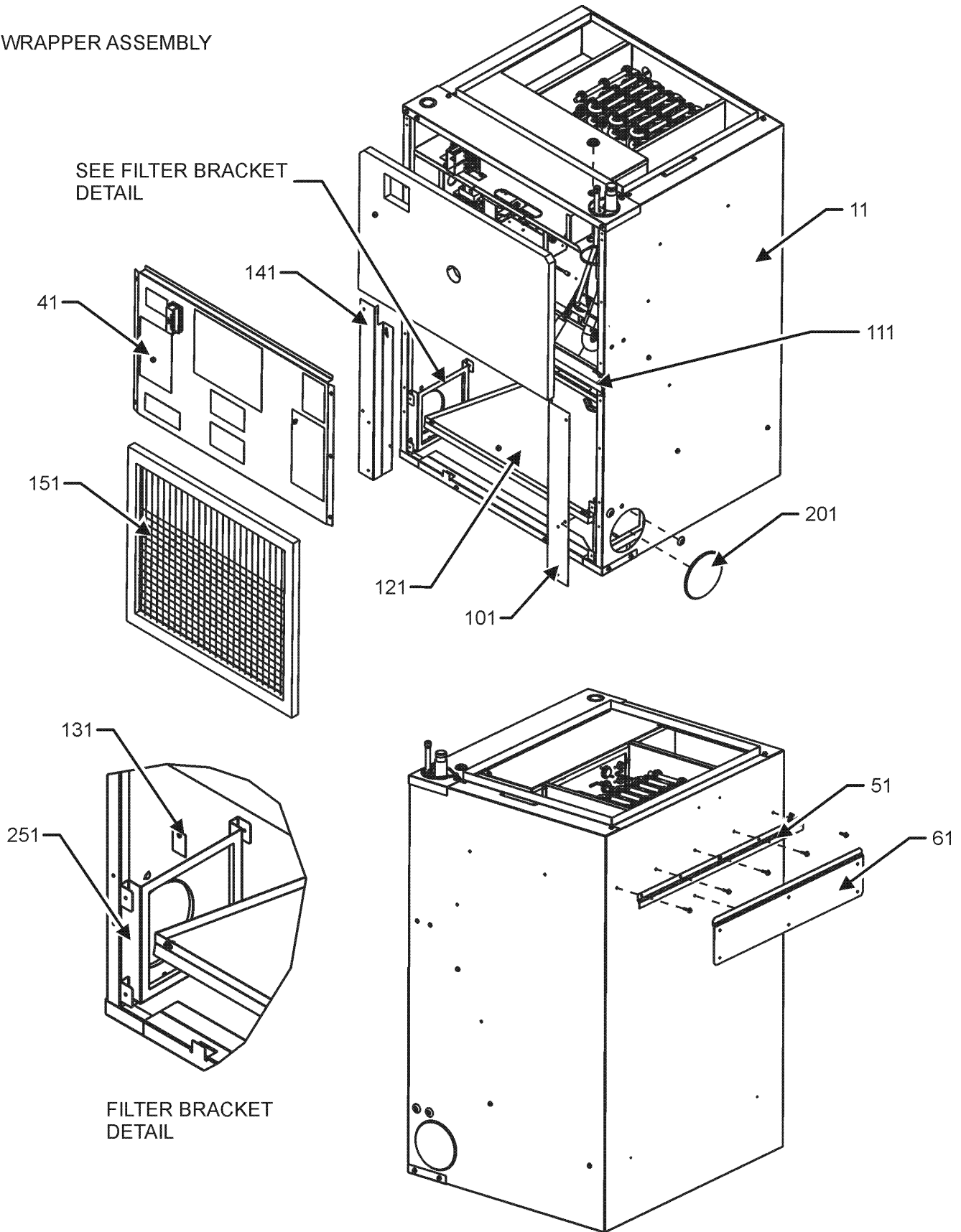
CONT2P040024V	CONT, 2 POLE, 40 AMP, 24 VAC
BT1420032	ELEMENT, 4.8 KW LARGE HEATER (M1, M4)
BT1420040	ELEMENT, 7.3KW HEATER (M2, M5)
BT1420039	ELEMENT, 9.8KW HEATER (M3, M6)
0131M01020	MOTOR PROGRAMMED (M1)
0131M01021	MOTOR PROGRAMMED (M2, M3)
0131M01022	MOTOR PROGRAMMED (M4, M5, M6)
0130M00138	TRANSFORMER, 208/230, 24V
0151M00066	VALVE, TXV R-410A BOOSTER CHG

Expanded Model Nomenclature

M1 - AWUT310516AD
M2 - AWUT310816AC
M3 - AWUT321016AC
M4 - AWUT370516AC
M5 - AWUT370816AC
M6 - AWUT371016AC

WRAPPER ASSEMBLY

WRAPPER ASSEMBLY



WRAPPER ASSEMBLY

Ref. Part No: No:	Description:	Ref. Part No: No:	Description:
----------------------	--------------	----------------------	--------------

Image 1:

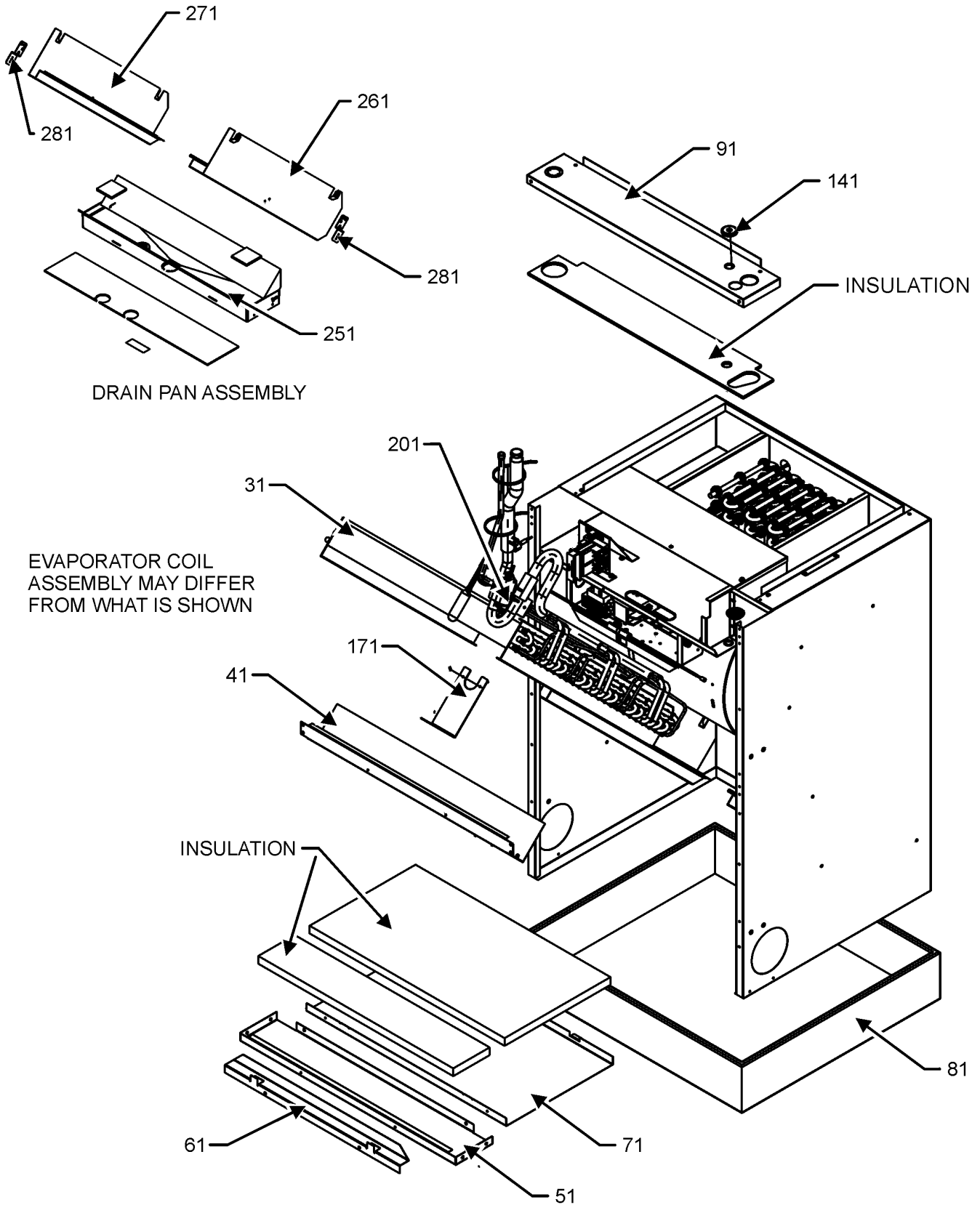
11	3702005	WRAPPER, LARGE
41	3701535	FRONT ACCESS PANEL LRG
51	3702500	BRACKET; HANGING
61	3702800	BRACKET; FIELD HANGING
101	0121A01301	BRKT, LEFT FILTER LRG
111	0121A00042	BRKT, LRG TOP FILTER
121	3701242	DRIP SHIELD LRG
131	3701243	BKT, LRG RETAINER
141	0121A01302	BRKT, RIGHT FILTER
151	0160L00388	AIR FILTER 18X20X1
201	0161A00068	PLUG-BUTTON (QTY 2)
251	0121A01163	FILTER BRACKET (QTY 2)

Expanded Model Nomenclature

M1 - AWUT310516AD
M2 - AWUT310816AC
M3 - AWUT321016AC
M4 - AWUT370516AC
M5 - AWUT370816AC
M6 - AWUT371016AC

EVAPORATOR COIL ASSEMBLY

EVAPORATOR COIL ASSEMBLY



EVAPORATOR COIL ASSEMBLY

Ref. Part No:	No:	Description:	Ref. Part No:	No:	Description:
---------------	-----	--------------	---------------	-----	--------------

Image 1:

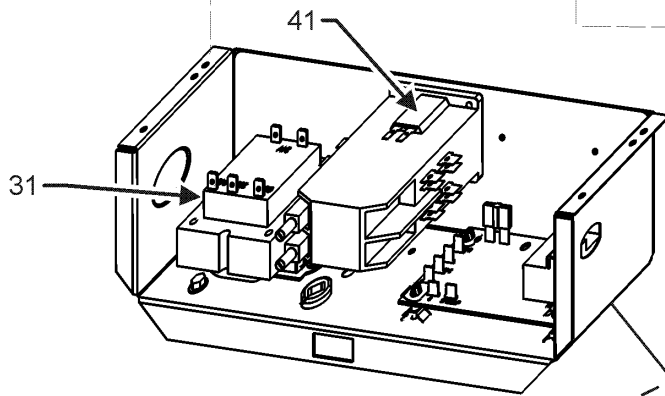
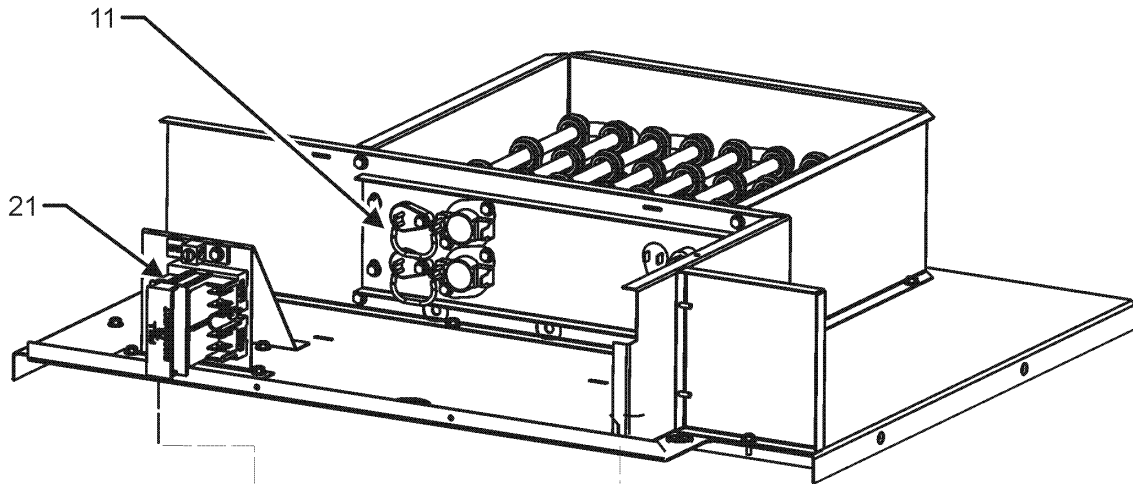
31	0270A01286	COIL TUBING ASSY (M1, M2, M3)
31	0270A01287	COIL TUBING ASSY (M4, M5, M6)
51	0121A01223	PLATE, BOTTOM TIE
61	3701243	BKT, LRG RETAINER
71	3701500	ACCESS PANEL, DRAIN LRG
81	BT1700051	CAP; LG. AIR HANDLER BOTTOM
91	3702105	TOP WRAPPER LRG
141	0164A00002	GROMMET
171	0121A01164	TXV BRACKET
201	0151M00066	VALVE, TXV R-410A BOOSTER CHG
251	0161R00021	DRAIN PAN LARGE
281	3701805	BRACKET, OFFSET (QTY 2)
NS	0128R00007	DRAINPAN SHIELD
NS	B1787000	VALVE CORE

Expanded Model Nomenclature

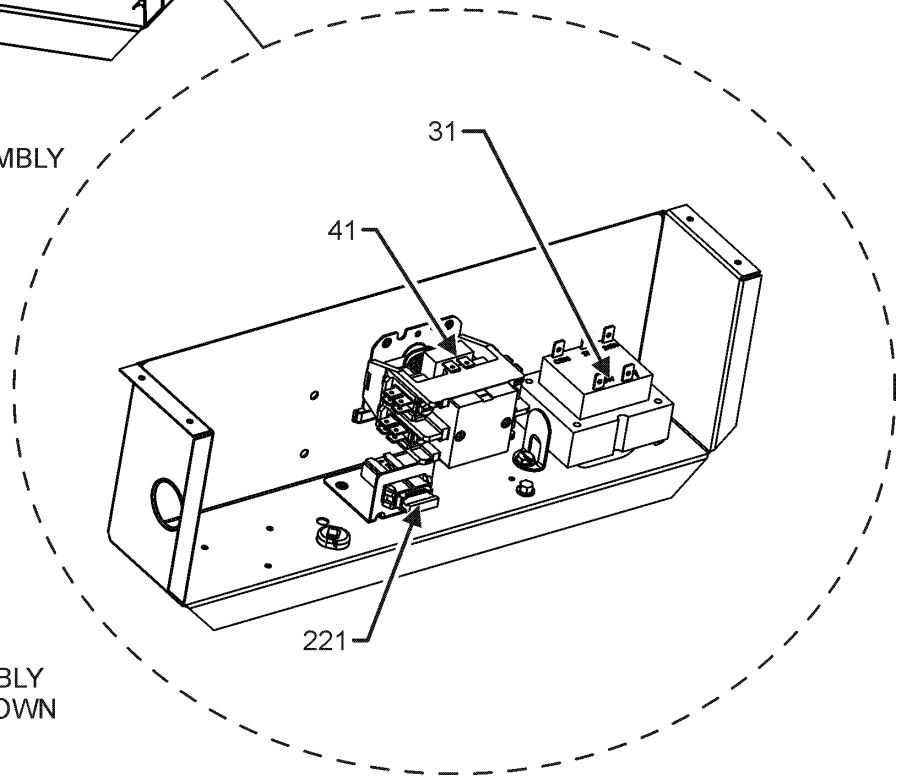
M1 - AWUT310516AD
M2 - AWUT310816AC
M3 - AWUT321016AC
M4 - AWUT370516AC
M5 - AWUT370816AC
M6 - AWUT371016AC

HEATER PANEL ASSEMBLY

HEATER PANEL ASSEMBLY



CONTROL PANEL ASSEMBLY



NOTE: CONTROL PANEL ASSEMBLY
MAY DIFFER FROM WHAT IS SHOWN

HEATER PANEL ASSEMBLY

Ref. Part No:	No:	Description:	Ref. Part No:	No:	Description:
---------------	-----	--------------	---------------	-----	--------------

Image 1:

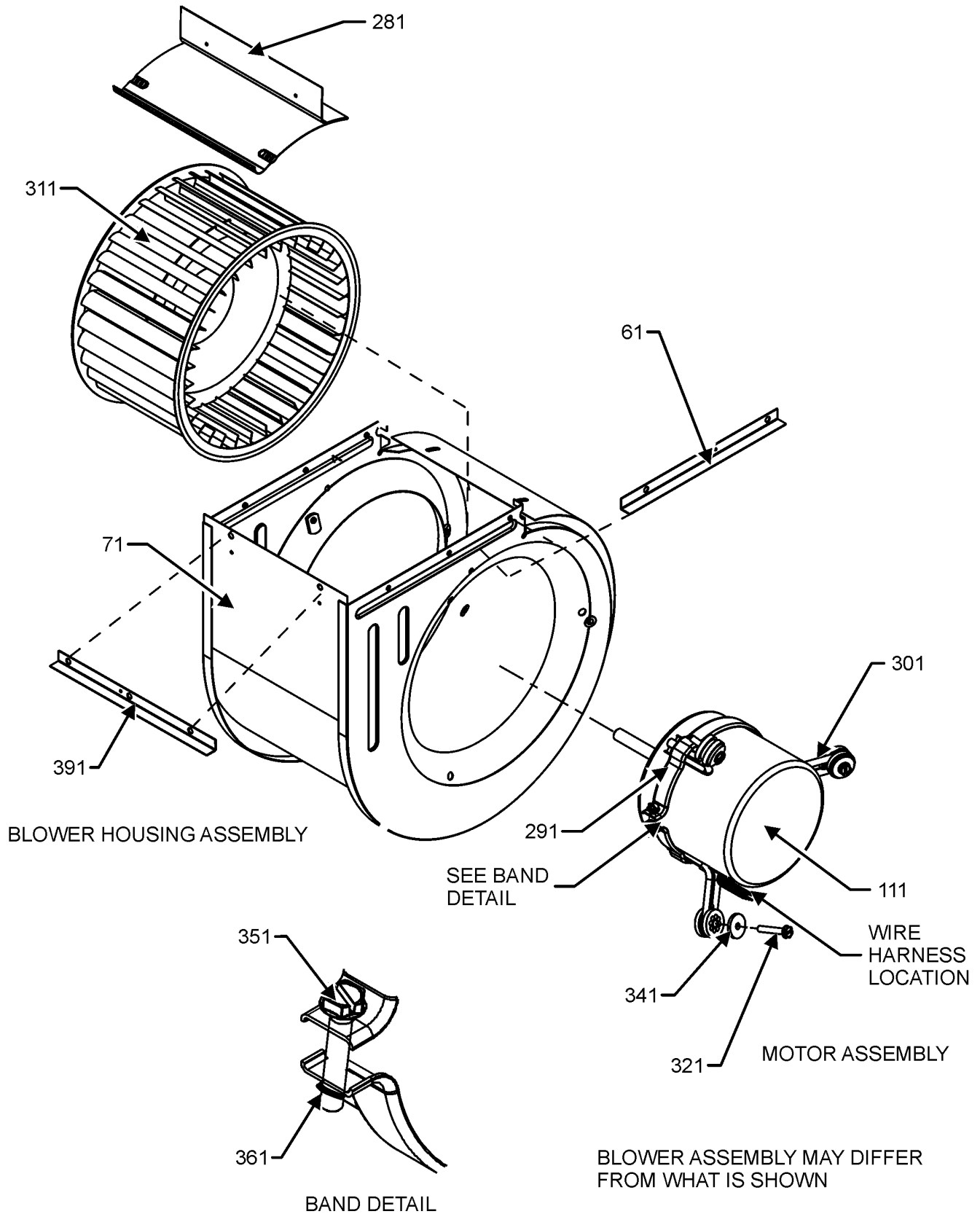
11	BT1420032	ELEMENT, 4.8 KW LARGE HEATER (M1, M4)
11	BT1420040	ELEMENT, 7.3KW HEATER (M2, M5)
11	BT1420039	ELEMENT, 9.8KW HEATER (M3, M6)
21	0130A00167	DISCONNECT, PULLOUT
31	0130M00138	TRANSFORMER, 208/230, 24V
41	CONT2P040024V	CONT, 2 POLE, 40 AMP, 24 VAC
221	0130M00488	FUSE HOLDER
NS	3700804	PANEL, TOP HEATER

Expanded Model Nomenclature

- | |
|-------------------|
| M1 - AWUT310516AD |
| M2 - AWUT310816AC |
| M3 - AWUT321016AC |
| M4 - AWUT370516AC |
| M5 - AWUT370816AC |
| M6 - AWUT371016AC |

BLOWER ASSEMBLY

BLOWER ASSEMBLY



BLOWER ASSEMBLY

Ref. Part No:	No:	Description:	Ref. Part No:	No:	Description:
---------------	-----	--------------	---------------	-----	--------------

Image 1:

61	3702701	ANGLE, 8.531" BLOWER (M1, M6)
71	3760202	BLOWER HOUSING
111	0131M01020	MOTOR PROGRAMMED (M1)
111	0131M01021	MOTOR PROGRAMMED (M2, M3)
111	0131M01022	MOTOR PROGRAMMED (M4, M5, M6)
281	3739002	BLOWER CUT-OFF LRG
291	0121M00038	MOTOR MOUNT BAND
301	0171M00011	MOTOR MOUNT ARM (QTY 3)
311	0150M00058	WHEEL, BLOWER
321	M0250565	TC SCREW 1.25" (QTY 3)
341	B1392918	WASHER, FLAT 1/4 ID X 1 OD (QTY 3)
351	B1393323	MACHINE SCREW HWH 1/4-20 X 1-1/2 BZ
361	B1393800	LOCKNUT, NYLON, INSERT 1/4
391	3702705	BLOWER ANGLE 10"
NS	0130A00021	X-13 LOW VOLTAGE WIRE HARNESS
NS	0130M00022	X-13 POWER HARNESS

Expanded Model Nomenclature

M1 - AWUT310516AD
M2 - AWUT310816AC
M3 - AWUT321016AC
M4 - AWUT370516AC
M5 - AWUT370816AC
M6 - AWUT371016AC