

REPAIR PARTS

AWST LU Wall Mounted Electric Heat Air Handler

AWST30LU1405AB
AWST30LU1405AC
AWST30LU1405AD
AWST30LU1408AB
AWST30LU1408AC
AWST30LU1408AD
AWST30LU1410AB
AWST30LU1410AC
AWST30LU1410AD
AWST36LU1405AB
AWST36LU1405AC
AWST36LU1405AD
AWST36LU1408AB
AWST36LU1408AC
AWST36LU1408AD
AWST36LU1410AB
AWST36LU1410AC
AWST36LU1410AD



This manual is to be used by qualified technicians only.

This manual replaces RP-4347

© 2022 - 2023 Goodman Manufacturing Company, L.P. ♦ 19001 Kermier Rd. ♦ Waller, TX 77484

Important Information

Index

Functional Parts List	3
Illustration and Parts	4 - 11

Views shown are for parts illustrations only, not servicing procedures.

Text Codes:

AR - As Required

NA - Not Available

NS - Not Shown

00000000 - See Note

QTY - Quantity Example (QTY 3) (If Quantity not shown, Quantity = 1)

M - Model Example (M1) (If M Code not shown, then part is used on all Models)

Expanded Model Nomenclature:

Example M1 - Model#1 M2 - Model#2 M3 - Model#3

Goodman Manufacturing Company, L.P. is not responsible for personal injury or property damage resulting from improper service. Review all service information before beginning repairs.

Warranty service must be performed by an authorized technician, using authorized factory parts. If service is required after the warranty expires, Goodman Manufacturing Company, L.P. also recommends contacting an authorized technician and using authorized factory parts.

Goodman Manufacturing Company, L.P. reserves the right to discontinue, or change at any time, specifications or designs without notice or without incurring obligations.

For assistance within the U.S.A. contact:
Homeowner Support
Goodman Manufacturing Company, L.P.
19001 Kermier Road
Waller, Texas 77484
877-254-4729-Telephone
713-863-2382-Facsimile

For assistance outside the U.S.A. contact:
International Division
Goodman Manufacturing Company, L.P.
19001 Kermier Road
Waller, Texas 77484
713-861-2500-Telephone
713-863-2382-Facsimile

Functional Parts

Part

No: **Description:**

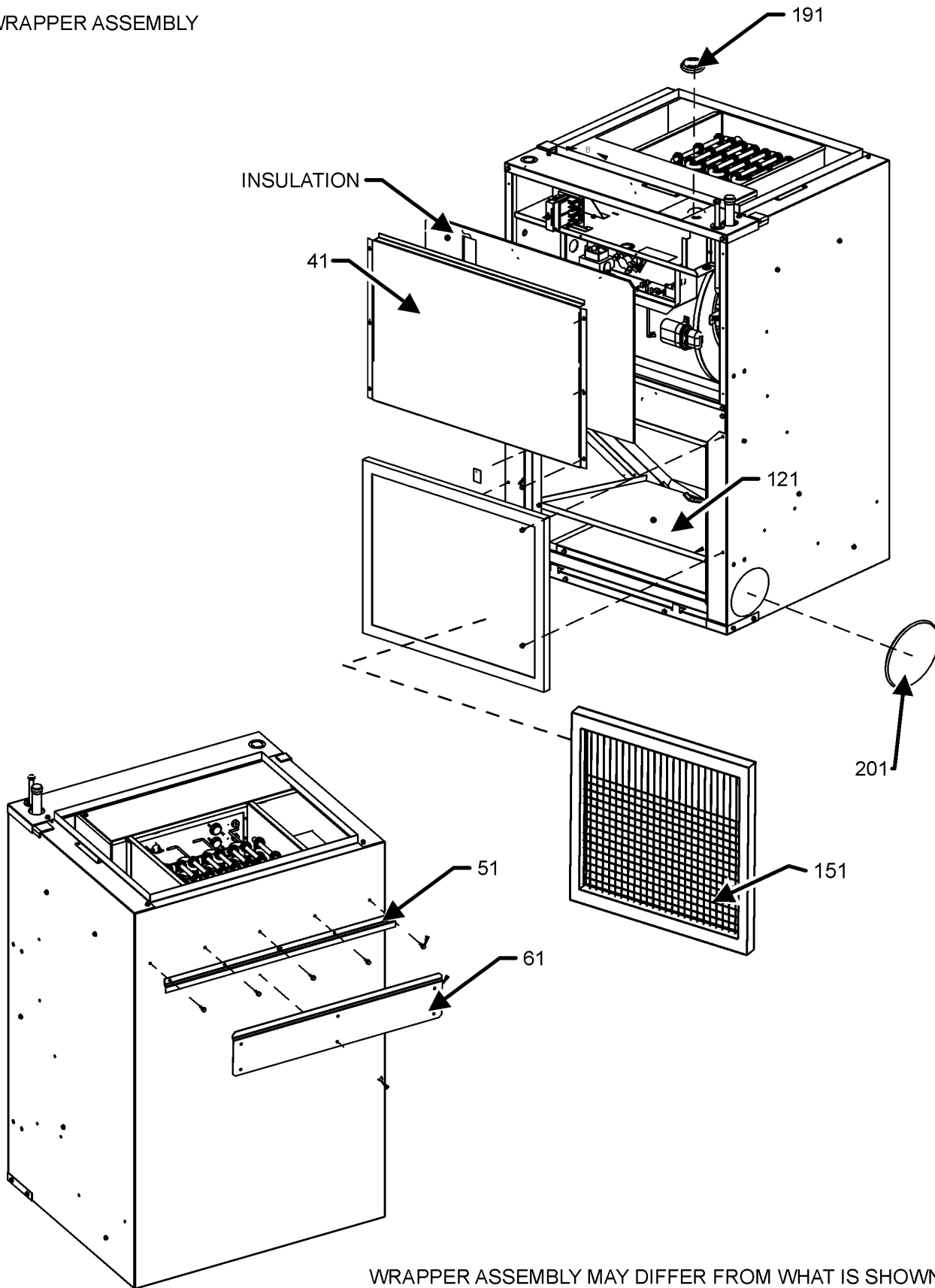
CONT2P040024V	CONTACTOR 40 AMP, 2P, 24V
0175A00024	ELEMENT, 4.8 KW LARGE HEATER (M2, M3, M11, M12)
BT1420032	ELEMENT, 4.8 KW LARGE HEATER (M1, M10)
0175A00026	ELEMENT, 7.3 KW LARGE HEATER (M5, M6, M14, M15)
BT1420040	ELEMENT, 7.3KW HEATER (M4, M13)
0175A00025	ELEMENT, 9.6 KW LARGE HEATER (M8, M9, M17, M18)
BT1420039	ELEMENT, 9.8KW HEATER (M7, M16)
0131M01036	MOTOR (M10, M11, M12, M13, M14, M15, M16, M17, M18)
0131M01035	MOTOR (M1, M2, M3, M4, M5, M6, M7, M8, M9)
0130M00138	TRANSFORMER, 208/230, 24V
0151R00210	TXV-FX-3T-ADJ VALVE

Expanded Model Nomenclature

M1 - AWST30LU1405AB
M2 - AWST30LU1405AC
M3 - AWST30LU1405AD
M4 - AWST30LU1408AB
M5 - AWST30LU1408AC
M6 - AWST30LU1408AD
M7 - AWST30LU1410AB
M8 - AWST30LU1410AC
M9 - AWST30LU1410AD
M10 - AWST36LU1405AB
M11 - AWST36LU1405AC
M12 - AWST36LU1405AD
M13 - AWST36LU1408AB
M14 - AWST36LU1408AC
M15 - AWST36LU1408AD
M16 - AWST36LU1410AB
M17 - AWST36LU1410AC
M18 - AWST36LU1410AD

WRAPPER ASSEMBLY

WRAPPER ASSEMBLY



WRAPPER ASSEMBLY MAY DIFFER FROM WHAT IS SHOWN

WRAPPER ASSEMBLY

Ref. Part No:	Description:	Ref. Part No:	Description:
---------------	--------------	---------------	--------------

Image 1:

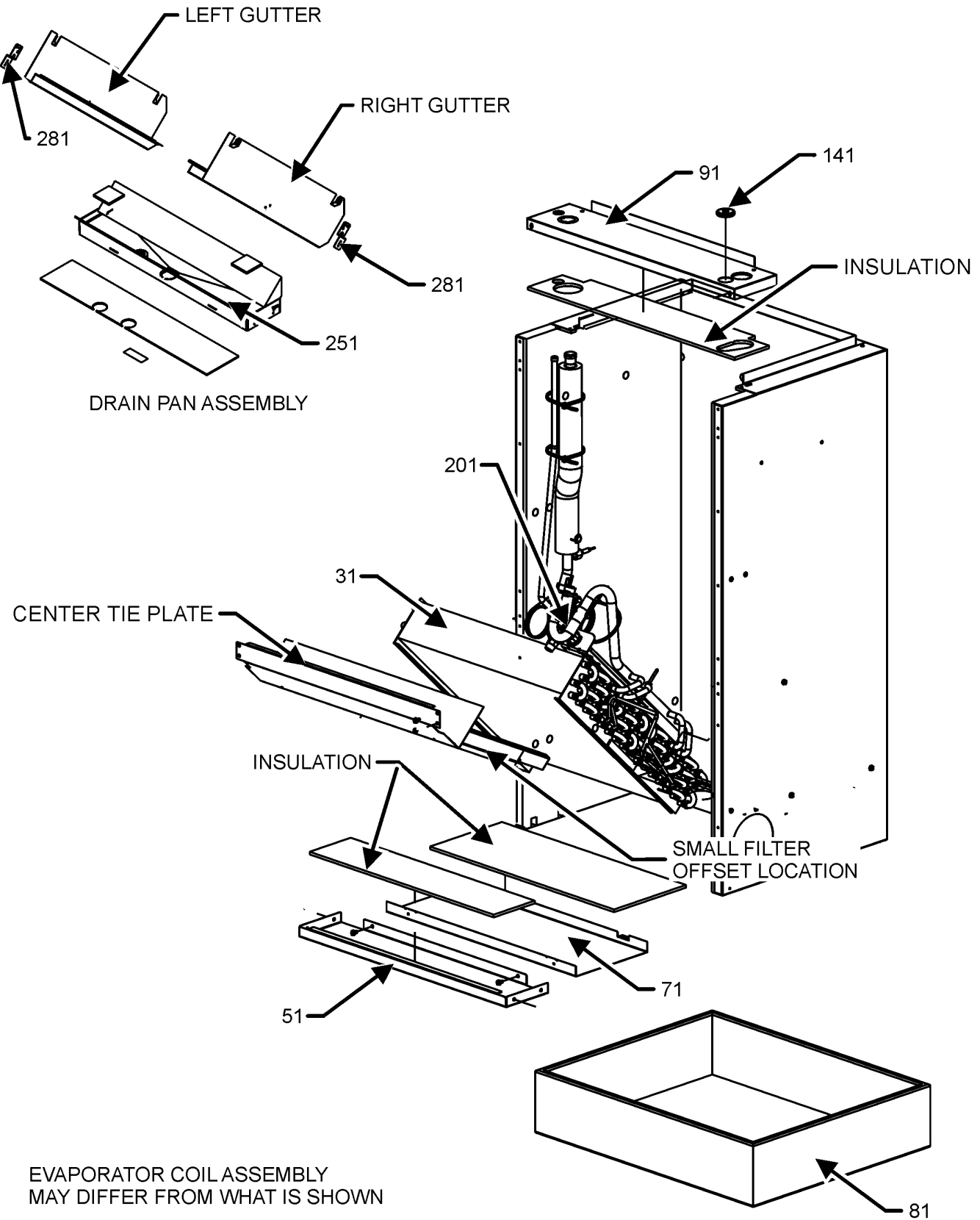
41	3701535	PANEL, LARGE FRONT ACCESS
51	3702500	BRACKET; HANGING
61	3702800	BRACKET; FIELD HANGING
121	3701242	SHIELD, LRG DRIP
151	0160L00388	AIR FILTER 18X20X1
191	0161A00067	FLUSH PLUG
201	0161A00068	PLUG-BUTTON (QTY 2)
NS	0154A00040	GASKET

Expanded Model Nomenclature

- M1 - AWST30LU1405AB
- M2 - AWST30LU1405AC
- M3 - AWST30LU1405AD
- M4 - AWST30LU1408AB
- M5 - AWST30LU1408AC
- M6 - AWST30LU1408AD
- M7 - AWST30LU1410AB
- M8 - AWST30LU1410AC
- M9 - AWST30LU1410AD
- M10 - AWST36LU1405AB
- M11 - AWST36LU1405AC
- M12 - AWST36LU1405AD
- M13 - AWST36LU1408AB
- M14 - AWST36LU1408AC
- M15 - AWST36LU1408AD
- M16 - AWST36LU1410AB
- M17 - AWST36LU1410AC
- M18 - AWST36LU1410AD

EVAPORATOR COIL ASSEMBLY

EVAPORATOR COIL ASSEMBLY



EVAPORATOR COIL ASSEMBLY

Ref. Part No: No:	Description:	Ref. Part No: No:	Description:
-------------------	--------------	-------------------	--------------

Image 1:

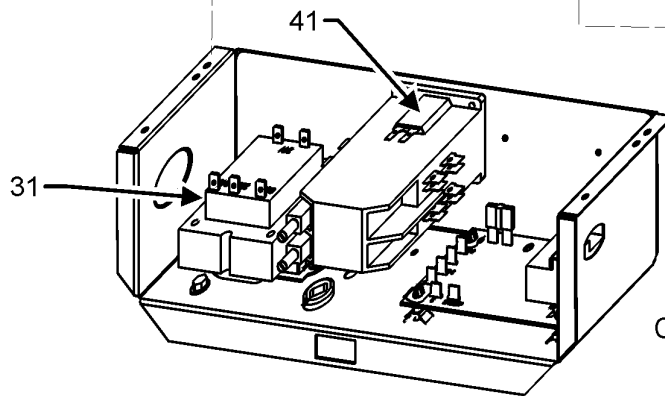
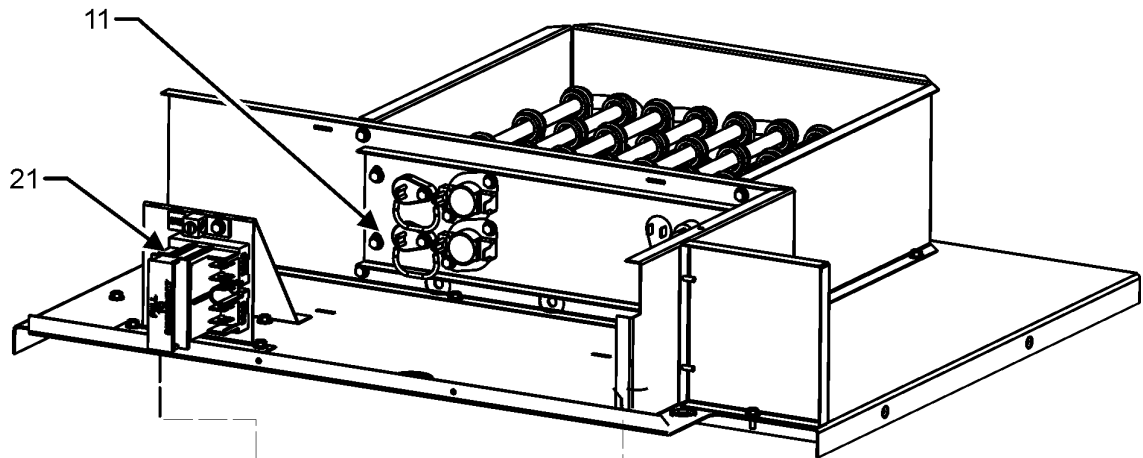
31	0270A01704	COIL TUBING ASSY
51	0121A01223	PLATE, BOTTOM TIE
71	3701500	PANEL; DRAIN ACCESS
81	BT1700051	CAP; LG. AIR HANDLER BOTTOM
91	3702105	WRAPPER, TOP (LARGE)
141	0164A00002	GROMMET
201	0151R00210	TXV-FX-3T-ADJ VALVE
251	0161R00021	DRAIN PAN LARGE
281	3701805	BRACKET, OFFSET (QTY 2)
NS	0163M00175	CAP WITH O-RING
NS	0128R00007	DRAINPAN SHIELD
NS	0151M00104	VALVE CORE

Expanded Model Nomenclature

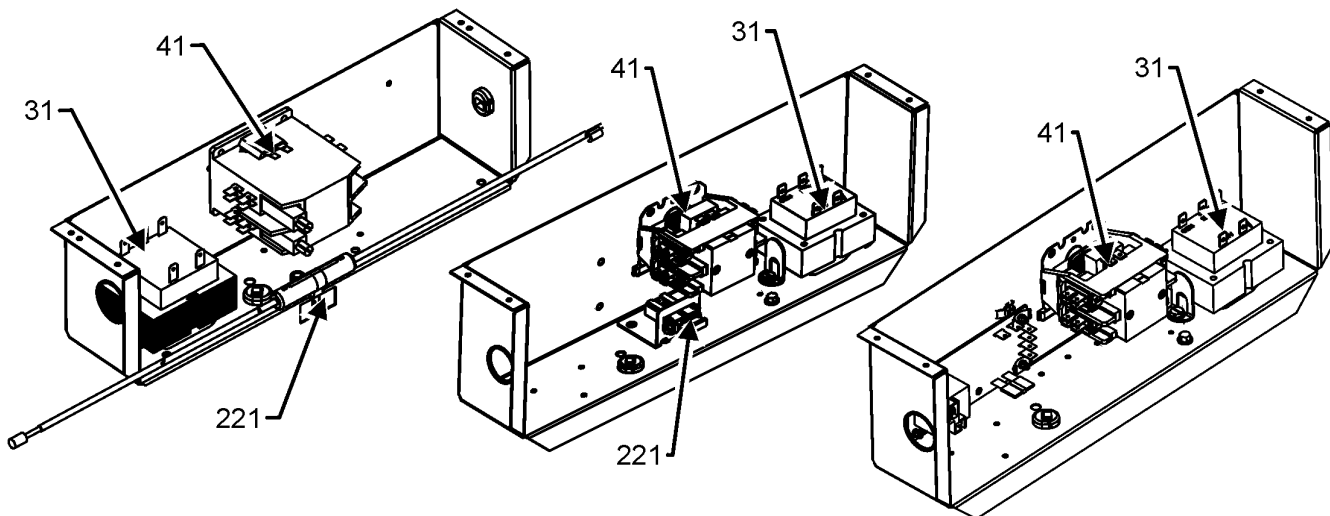
M1 - AWST30LU1405AB
M2 - AWST30LU1405AC
M3 - AWST30LU1405AD
M4 - AWST30LU1408AB
M5 - AWST30LU1408AC
M6 - AWST30LU1408AD
M7 - AWST30LU1410AB
M8 - AWST30LU1410AC
M9 - AWST30LU1410AD
M10 - AWST36LU1405AB
M11 - AWST36LU1405AC
M12 - AWST36LU1405AD
M13 - AWST36LU1408AB
M14 - AWST36LU1408AC
M15 - AWST36LU1408AD
M16 - AWST36LU1410AB
M17 - AWST36LU1410AC
M18 - AWST36LU1410AD

HEATER PANEL ASSEMBLY

HEATER PANEL ASSEMBLY



CONTROL PANEL ASSEMBLY



ALTERNATE CONTROL PANEL ASSEMBLIES

CONTROL PANEL AND HEATER PANEL ASSEMBLY MAY DIFFER FROM WHAT IS SHOWN

HEATER PANEL ASSEMBLY

Ref. Part No:	No:	Description:	Ref. Part No:	No:	Description:
---------------	-----	--------------	---------------	-----	--------------

Image 1:

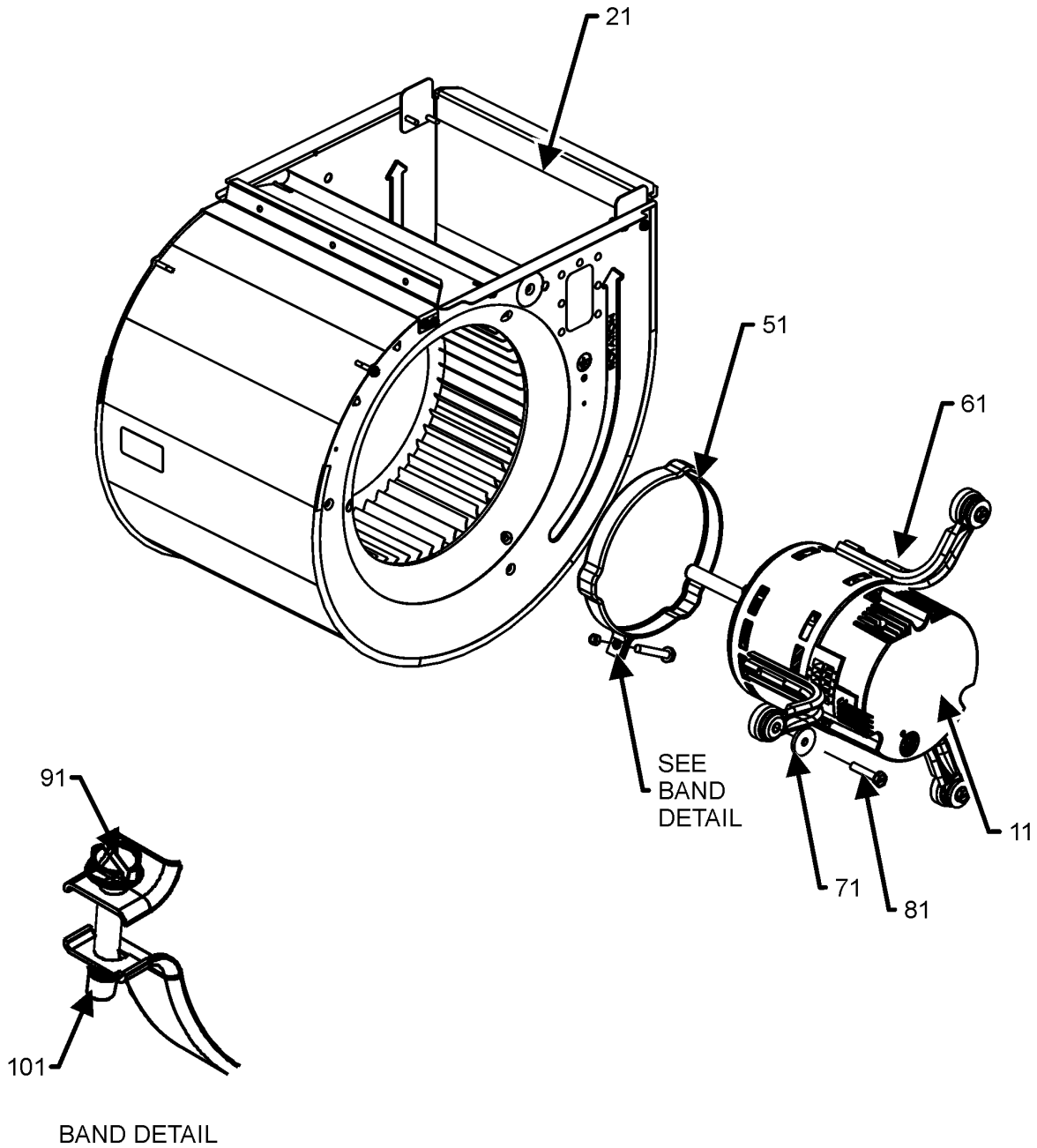
11	0175A00024	ELEMENT, 4.8 KW LARGE HEATER (M2, M3, M11, M12)
11	BT1420032	ELEMENT, 4.8 KW LARGE HEATER (M1, M10)
11	0175A00026	ELEMENT, 7.3 KW LARGE HEATER (M5, M6, M14, M15)
11	BT1420040	ELEMENT, 7.3KW HEATER (M4, M13)
11	0175A00025	ELEMENT, 9.6 KW LARGE HEATER (M8, M9, M17, M18)
11	BT1420039	ELEMENT, 9.8KW HEATER (M7, M16)
21	0130A00091	DISCONNECT, PULL OUT
31	0130M00138	TRANSFORMER, 208/230, 24V
41	CONT2P040024V	CONTACTOR 40 AMP, 2P, 24V
221	0130M00488	FUSE HOLDER
NS	3702704	ANGLE, 22.5" BLOWER DECK
NS	0121A01591	BKT, LRG DISCONNECT MTG
NS	3701507	COLLAR, HTR. LG

Expanded Model Nomenclature

M1 - AWST30LU1405AB
M2 - AWST30LU1405AC
M3 - AWST30LU1405AD
M4 - AWST30LU1408AB
M5 - AWST30LU1408AC
M6 - AWST30LU1408AD
M7 - AWST30LU1410AB
M8 - AWST30LU1410AC
M9 - AWST30LU1410AD
M10 - AWST36LU1405AB
M11 - AWST36LU1405AC
M12 - AWST36LU1405AD
M13 - AWST36LU1408AB
M14 - AWST36LU1408AC
M15 - AWST36LU1408AD
M16 - AWST36LU1410AB
M17 - AWST36LU1410AC
M18 - AWST36LU1410AD

BLOWER ASSEMBLY

BLOWER ASSEMBLY



BLOWER ASSEMBLY MAY DIFFER FROM WHAT IS SHOWN

BLOWER ASSEMBLY

Ref. Part No:	Part No:	Description:	Ref. Part No:	Part No:	Description:
---------------	----------	--------------	---------------	----------	--------------

Image 1:

11	0131M01035	MOTOR (M1, M2, M3, M4, M5, M6, M7, M8, M9)
11	0131M01036	MOTOR (M10, M11, M12, M13, M14, M15, M16, M17, M18)
21	0271A00564	BLOWER SHELL ASSY (M1, M4, M7, M10, M13, M16)
21	0271A00695	BLOWER SHELL ASSY (M2, M3, M5, M6, M8, M9, M11, M12, M14, M15, M17, M18)
51	0121M00039	MOUNT BAND, MOTOR (HEAVY DUTY)
61	0163M00537	MOTOR MOUNT ARM (QTY 3)
71	B1392918	WASHER, FLAT 1/4 ID X 1 OD (QTY 3)
81	M0250565	SCREW-TC 1.25" (QTY 3)
91	B1393323	MACHINE SCREW HWH 1/4-20 X 1-1/2 BZ
101	B1393800	LOCKNUT, NYLON, INSERT 1/4
NS	0130A00021	X-13 LOW VOLTAGE WIRE HARNESS
NS	0130M00022	X-13 POWER HARNESS

Expanded Model Nomenclature

M1 - AWST30LU1405AB
M2 - AWST30LU1405AC
M3 - AWST30LU1405AD
M4 - AWST30LU1408AB
M5 - AWST30LU1408AC
M6 - AWST30LU1408AD
M7 - AWST30LU1410AB
M8 - AWST30LU1410AC
M9 - AWST30LU1410AD
M10 - AWST36LU1405AB
M11 - AWST36LU1405AC
M12 - AWST36LU1405AD
M13 - AWST36LU1408AB
M14 - AWST36LU1408AC
M15 - AWST36LU1408AD
M16 - AWST36LU1410AB
M17 - AWST36LU1410AC
M18 - AWST36LU1410AD