

# REPAIR PARTS

---

## AWST SU Wall Mounted Electric Heat Air Handler

AWST18SU1403AB  
AWST18SU1403AC  
AWST18SU1403AD  
AWST18SU1405AB  
AWST18SU1405AC  
AWST18SU1405AD  
AWST18SU1408AB  
AWST18SU1408AC  
AWST18SU1408AD  
AWST24SU1405AB  
AWST24SU1405AC  
AWST24SU1405AD  
AWST24SU1408AB  
AWST24SU1408AC  
AWST24SU1408AD  
AWST24SU1410AB  
AWST24SU1410AC  
AWST24SU1410AD



This manual is to be used by qualified technicians only.

© 2022 - 2023 Goodman Manufacturing Company, L.P. ♦ 19001 Kermier Rd. ♦ Waller, TX 77484

# Important Information

---

## Index

Functional Parts List .....	3
Illustration and Parts .....	4 - 11

*Views shown are for parts illustrations only, not servicing procedures.*

### Text Codes:

AR - As Required

NA - Not Available

NS - Not Shown

00000000 - See Note

QTY - Quantity Example (QTY 3) (If Quantity not shown, Quantity = 1)

M - Model Example (M1) (If M Code not shown, then part is used on all Models)

### Expanded Model Nomenclature:

Example M1 - Model#1 M2 - Model#2 M3 - Model#3
---

Goodman Manufacturing Company, L.P. is not responsible for personal injury or property damage resulting from improper service. Review all service information before beginning repairs.

Warranty service must be performed by an authorized technician, using authorized factory parts. If service is required after the warranty expires, Goodman Manufacturing Company, L.P. also recommends contacting an authorized technician and using authorized factory parts.

Goodman Manufacturing Company, L.P. reserves the right to discontinue, or change at any time, specifications or designs without notice or without incurring obligations.

For assistance within the U.S.A. contact:  
Homeowner Support  
Goodman Manufacturing Company, L.P.  
19001 Kermier Road  
Waller, Texas 77484  
877-254-4729-Telephone  
713-863-2382-Facsimile

For assistance outside the U.S.A. contact:  
International Division  
Goodman Manufacturing Company, L.P.  
19001 Kermier Road  
Waller, Texas 77484  
713-861-2500-Telephone  
713-863-2382-Facsimile

# Functional Parts

## Part

## No: Description:

---

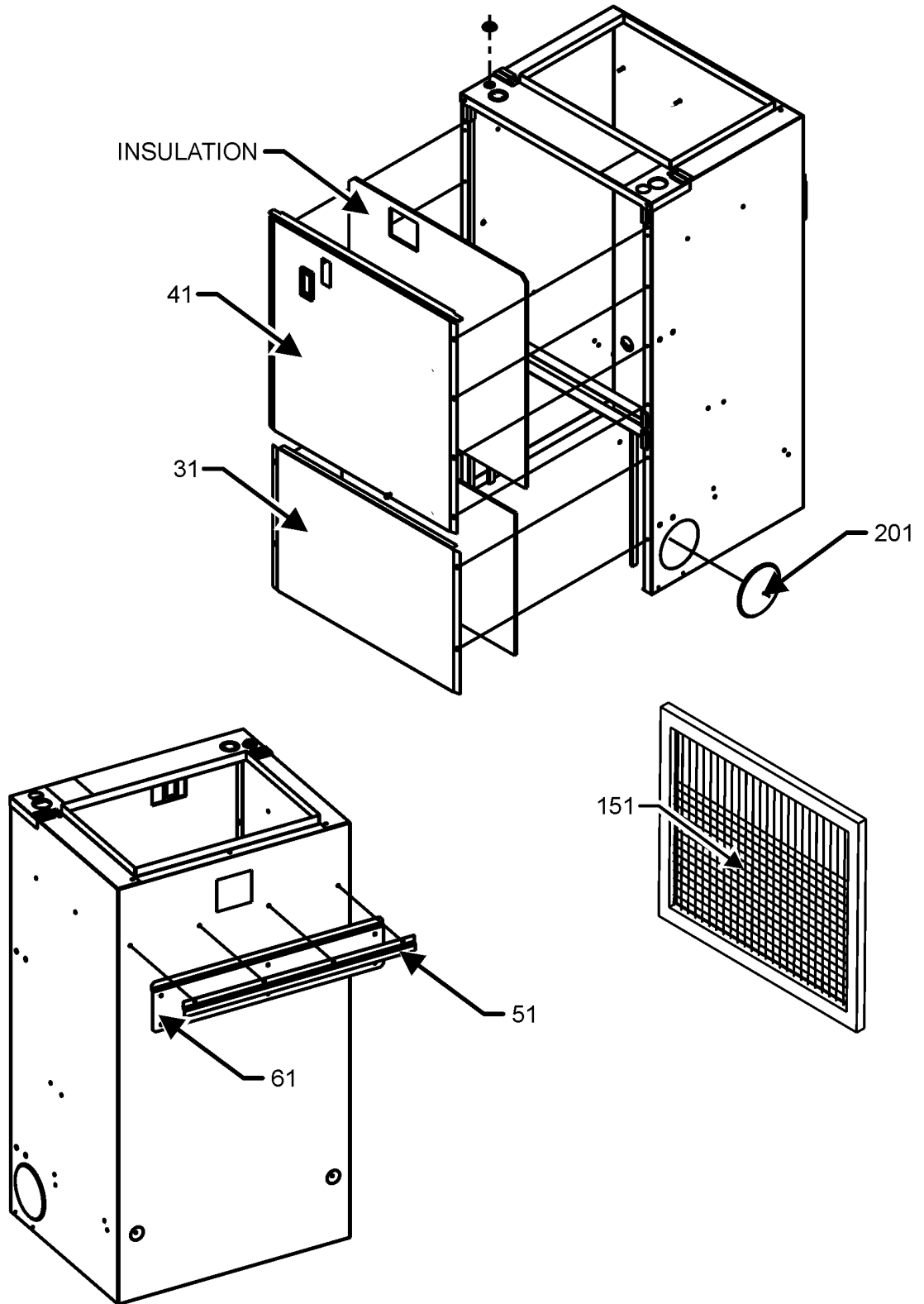
BT1420028	ASM, HEATER(SMALL 3KW) (M1)
CONT2P040024V	CONTACTOR 40 AMP, 2P, 24V
0175A00020	ELEMENT, 3.0 KW SMALL HEATER (M2, M3)
0175A00021	ELEMENT, 4.8 KW SMALL HEATER (M5, M6, M11, M12)
BT1420029	ELEMENT, 4.8 KW SMALL HEATER (M4, M10)
0175A00022	ELEMENT, 7.3 KW SMALL HEATER (M8, M9, M14, M15)
BT1420030	ELEMENT, 7.3 KW SMALL HEATER (M7, M13)
0175A00023	ELEMENT, 9.6 KW SMALL HEATER (M17, M18)
BT1420031	ELEMENT, 9.8 KW SMALL HEATER (M16)
0131M01034	MOTOR (M10, M11, M12, M13, M14, M15, M16, M17, M18)
0131M01033	MOTOR (M1, M2, M3, M4, M5, M6, M7, M8, M9)
0130M00138	TRANSFORMER, 208/230, 24V
0151R00209	TXV FX 2T ADJ VALVE

### Expanded Model Nomenclature

M1 - AWST18SU1403AB
M2 - AWST18SU1403AC
M3 - AWST18SU1403AD
M4 - AWST18SU1405AB
M5 - AWST18SU1405AC
M6 - AWST18SU1405AD
M7 - AWST18SU1408AB
M8 - AWST18SU1408AC
M9 - AWST18SU1408AD
M10 - AWST24SU1405AB
M11 - AWST24SU1405AC
M12 - AWST24SU1405AD
M13 - AWST24SU1408AB
M14 - AWST24SU1408AC
M15 - AWST24SU1408AD
M16 - AWST24SU1410AB
M17 - AWST24SU1410AC
M18 - AWST24SU1410AD

# WRAPPER ASSEMBLY

## WRAPPER ASSEMBLY



WRAPPER ASSEMBLY MAY DIFFER FROM WHAT IS SHOWN

# WRAPPER ASSEMBLY

Ref. Part No:	No:	Description:	Ref. Part No:	No:	Description:
---------------	-----	--------------	---------------	-----	--------------

---

**Image 1:**

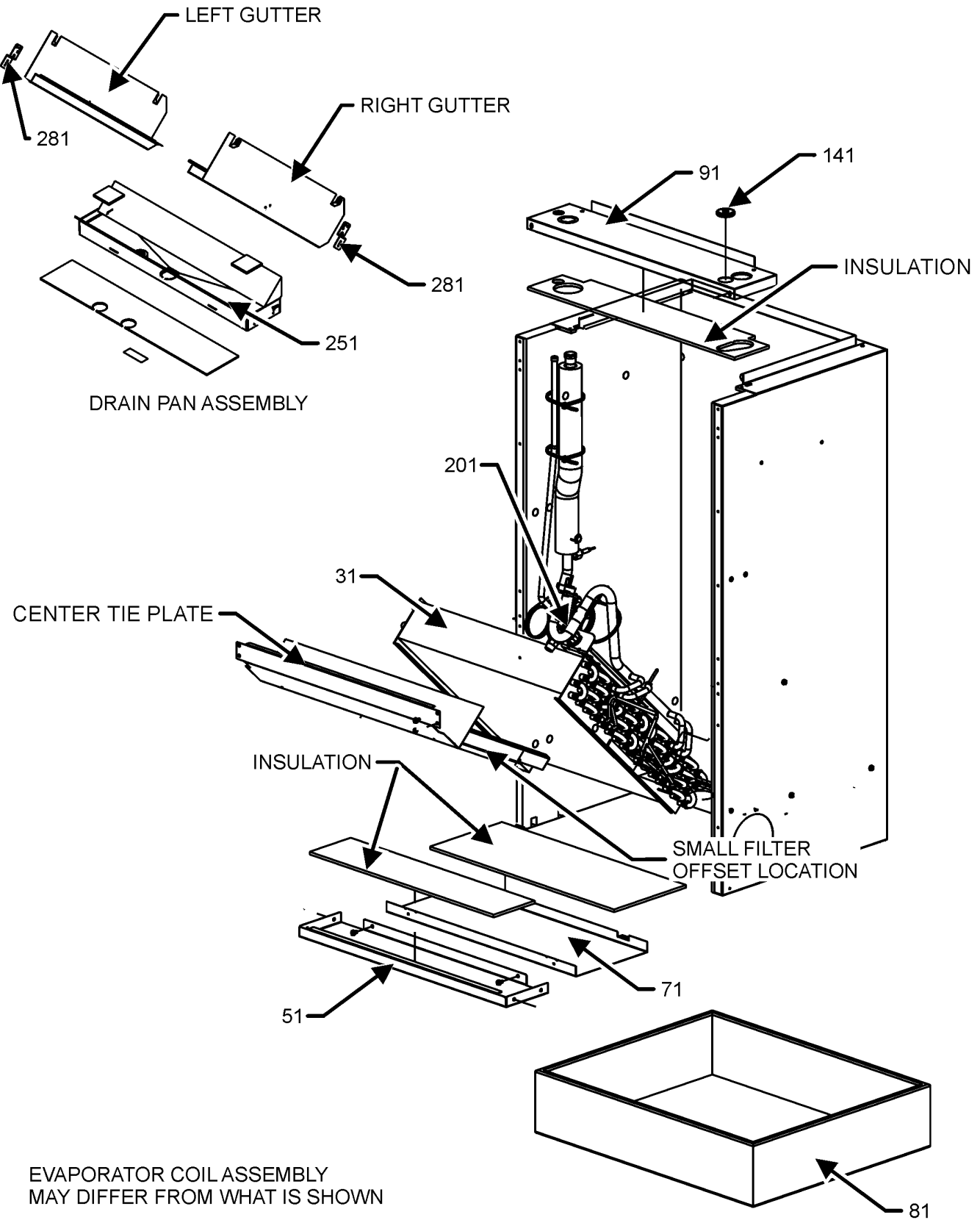
31	3701505	PANEL; LOWER FRONT ACCESS
41	0121A00450	PANEL, SMALL FRONT ACCESS
51	3702501	BRACKET; SMALL HANGING
61	3702800	BRACKET; FIELD HANGING
151	0160L00139	Air Filter 14x18x1
201	0161A00068	PLUG-BUTTON (QTY 2)
NS	0161A00067	FLUSH PLUG
NS	0154A00041	GASKET

**Expanded Model Nomenclature**

M1 - AWST18SU1403AB
M2 - AWST18SU1403AC
M3 - AWST18SU1403AD
M4 - AWST18SU1405AB
M5 - AWST18SU1405AC
M6 - AWST18SU1405AD
M7 - AWST18SU1408AB
M8 - AWST18SU1408AC
M9 - AWST18SU1408AD
M10 - AWST24SU1405AB
M11 - AWST24SU1405AC
M12 - AWST24SU1405AD
M13 - AWST24SU1408AB
M14 - AWST24SU1408AC
M15 - AWST24SU1408AD
M16 - AWST24SU1410AB
M17 - AWST24SU1410AC
M18 - AWST24SU1410AD

# EVAPORATOR COIL ASSEMBLY

## EVAPORATOR COIL ASSEMBLY



# EVAPORATOR COIL ASSEMBLY

Ref. Part No:	No:	Description:	Ref. Part No:	No:	Description:
---------------	-----	--------------	---------------	-----	--------------

---

## Image 1:

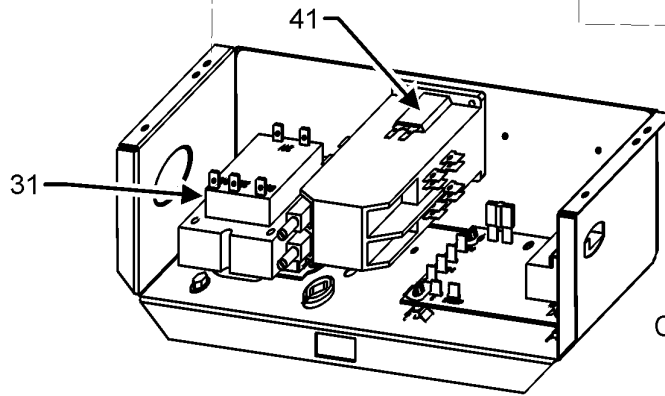
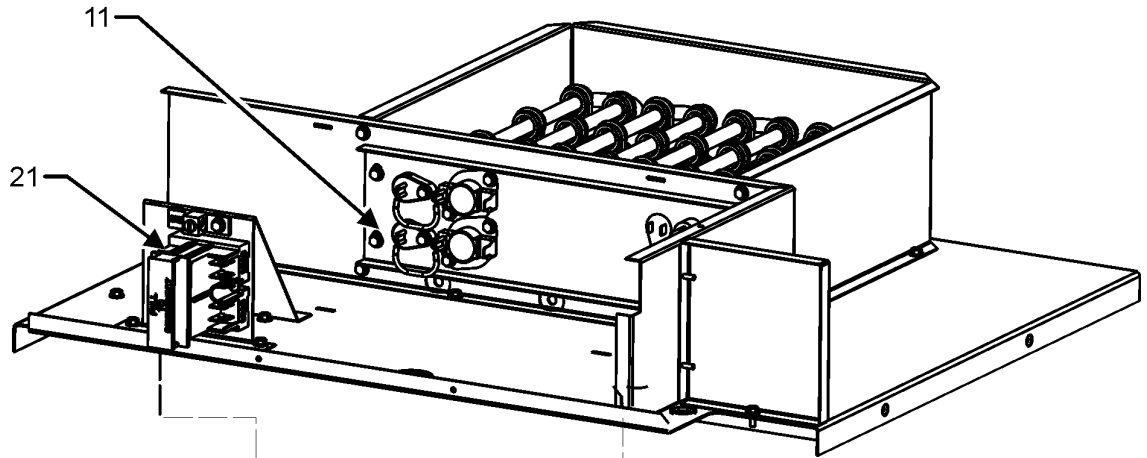
31	0270A01698	COIL TUBING ASSY
51	0121A01224	PLATE, BOTTOM TIE
71	3701502	PANEL; SMALL DRAIN ACCESS
81	BT1700050	CAP; SM. AIR HANDLER BOTTOM
91	3702104	WRAPPER, TOP (SMALL)
141	0164A00002	GROMMET
201	0151R00209	TXV FX 2T ADJ VALVE
251	0161R00022	DRAIN PAN SMALL
281	3701805	BRACKET, OFFSET (QTY 2)
NS	0163M00175	CAP WITH O-RING
NS	0128R00007	SHIELD, DRAINPAN
NS	0151M00104	VALVE CORE

## Expanded Model Nomenclature

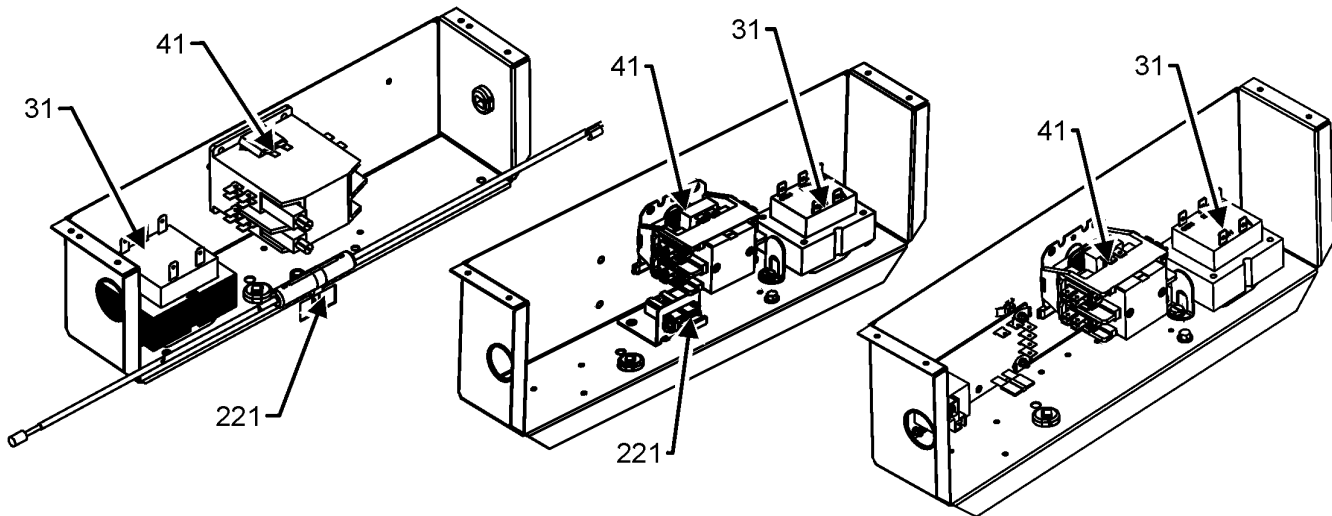
M1 - AWST18SU1403AB
M2 - AWST18SU1403AC
M3 - AWST18SU1403AD
M4 - AWST18SU1405AB
M5 - AWST18SU1405AC
M6 - AWST18SU1405AD
M7 - AWST18SU1408AB
M8 - AWST18SU1408AC
M9 - AWST18SU1408AD
M10 - AWST24SU1405AB
M11 - AWST24SU1405AC
M12 - AWST24SU1405AD
M13 - AWST24SU1408AB
M14 - AWST24SU1408AC
M15 - AWST24SU1408AD
M16 - AWST24SU1410AB
M17 - AWST24SU1410AC
M18 - AWST24SU1410AD

# HEATER PANEL ASSEMBLY

## HEATER PANEL ASSEMBLY



CONTROL PANEL ASSEMBLY



ALTERNATE CONTROL PANEL ASSEMBLIES

CONTROL PANEL AND HEATER PANEL ASSEMBLY MAY DIFFER FROM WHAT IS SHOWN

# HEATER PANEL ASSEMBLY

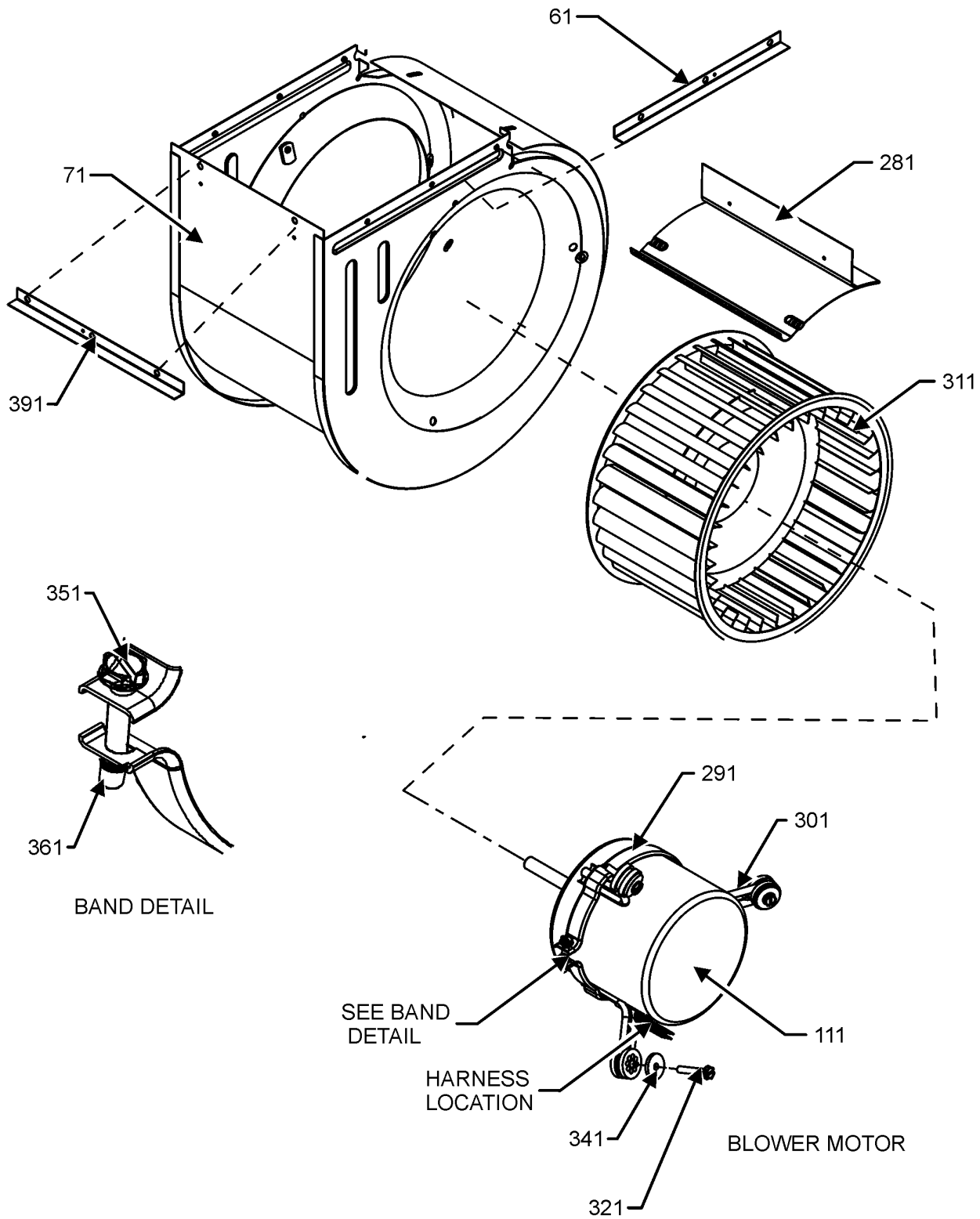
Ref. Part No:	Part No:	Description:	Ref. Part No:	Part No:	Description:
<b>Image 1:</b>					
11	BT1420028	ASM, HEATER(SMALL 3KW) (M1)			
11	0175A00020	ELEMENT, 3.0 KW SMALL HEATER (M2, M3)			
11	0175A00021	ELEMENT, 4.8 KW SMALL HEATER (M5, M6, M11, M12)			
11	BT1420029	ELEMENT, 4.8 KW SMALL HEATER (M4, M10)			
11	0175A00022	ELEMENT, 7.3 KW SMALL HEATER (M8, M9, M14, M15)			
11	BT1420030	ELEMENT, 7.3 KW SMALL HEATER (M7, M13)			
11	0175A00023	ELEMENT, 9.6 KW SMALL HEATER (M17, M18)			
11	BT1420031	ELEMENT, 9.8 KW SMALL HEATER (M16)			
21	0130A00091	DISCONNECT, PULLOUT (M2, M3, M5, M6, M8, M9, M11, M12, M14, M15, M17, M18)			
21	0130A00167	DISCONNECT, PULLOUT (M1, M4, M7, M10, M13, M16)			
31	0130M00138	TRANSFORMER, 208/230, 24V			
41	CONT2P040024V	CONTACTOR 40 AMP, 2P, 24V			
221	0130M00488	FUSE HOLDER			
NS	3701537	BKT, SML DSCNCT MTG			
NS	3701522	COLLAR, HEATER			

## Expanded Model Nomenclature

M1 - AWST18SU1403AB
M2 - AWST18SU1403AC
M3 - AWST18SU1403AD
M4 - AWST18SU1405AB
M5 - AWST18SU1405AC
M6 - AWST18SU1405AD
M7 - AWST18SU1408AB
M8 - AWST18SU1408AC
M9 - AWST18SU1408AD
M10 - AWST24SU1405AB
M11 - AWST24SU1405AC
M12 - AWST24SU1405AD
M13 - AWST24SU1408AB
M14 - AWST24SU1408AC
M15 - AWST24SU1408AD
M16 - AWST24SU1410AB
M17 - AWST24SU1410AC
M18 - AWST24SU1410AD

# BLOWER ASSEMBLY

## BLOWER ASSEMBLY



BLOWER ASSEMBLY MAY DIFFER FROM WHAT IS SHOWN

# BLOWER ASSEMBLY

Ref. Part No:	No:	Description:	Ref. Part No:	No:	Description:
<b>Image 1:</b>					
61	3702700	BLOWER ANGLE 9" (M1, M16)			
71	0271A00694	BLOWER SHELL ASSY (M2, M3, M5, M6, M8, M9, M11, M12, M14, M15, M17, M18)			
71	3760200	WELDMENT, BLWR HSG. (M1, M4, M7, M10, M13, M16)			
111	0131M01033	MOTOR (M1, M2, M3, M4, M5, M6, M7, M8, M9)			
111	0131M01034	MOTOR (M10, M11, M12, M13, M14, M15, M16, M17, M18)			
281	3739000	BLOWER CUT-OFF 6" (M1, M4, M7, M10, M13, M16)			
291	0121M00038	MOUNT BAND, MOTOR (M1, M4, M7, M10, M13, M16)			
291	0121M00039	MOUNT BAND, MOTOR (HEAVY DUTY) (M2, M3, M5, M6, M8, M9, M11, M12, M14, M15, M17, M18)			
301	0163M00537	MOTOR MOUNT ARM (M2, M3, M5, M6, M8, M9, M11, M12, M14, M15, M17, M18)			
301	0171M00012	MOTOR MOUNT ARM (M1, M4, M7, M10, M13, M16)			
311	0150M00061	WHEEL,BLOWER (M1, M4, M7, M10, M13, M16)			
321	M0250565	SCREW-TC 1.25" (QTY 3)			
341	B1392918	WASHER, FLAT 1/4 ID X 1 OD (QTY 3)			
351	B1393323	MACHINE SCREW HWH 1/4-20 X 1-1/2 BZ			
361	B1393800	LOCKNUT, NYLON, INSERT 1/4			
391	3702702	BLOWER ANGLE 6.063" (M1, M4, M7, M10, M13, M16)			
NS	0130M00022	X-13 POWER HARNESS			

## Expanded Model Nomenclature

M1 - AWST18SU1403AB
M2 - AWST18SU1403AC
M3 - AWST18SU1403AD
M4 - AWST18SU1405AB
M5 - AWST18SU1405AC
M6 - AWST18SU1405AD
M7 - AWST18SU1408AB
M8 - AWST18SU1408AC
M9 - AWST18SU1408AD
M10 - AWST24SU1405AB
M11 - AWST24SU1405AC
M12 - AWST24SU1405AD
M13 - AWST24SU1408AB
M14 - AWST24SU1408AC
M15 - AWST24SU1408AD
M16 - AWST24SU1410AB
M17 - AWST24SU1410AC
M18 - AWST24SU1410AD