



REPAIR PARTS

AW SERIES Air Handlers

AW18-05C
AW18-08C
AW24-05C
AW24-08C
AW24-10C
AW30-05C
AW30-08C
AW30-10C

This manual is to be used by qualified technicians only.

© 1998-2008 Goodman Manufacturing Company, L.P. ♦ 5151 San Felipe, Suite 500 ♦ Houston, TX 77056



Important Information

Index

Functional Parts List	3
Illustration and Parts	4 - 5

Views shown are for parts illustrations only, not servicing procedures.

Text Codes:

AR - As Required

NA - Not Available

NS - Not Shown

00000000 - See Note

QTY - Quantity Example (QTY 3) (If Quantity not shown, Quantity = 1)

M - Model Example (M1) (If M Code not shown, then part is used on all Models)

Expanded Model Nomenclature:

Example M1 - Model#1 M2 - Model#2 M3 - Model#3

Goodman Manufacturing Company, L.P. is not responsible for personal injury or property damage resulting from improper service. Review all service information before beginning repairs.

Warranty service must be performed by an authorized technician, using authorized factory parts. If service is required after the warranty expires, Goodman Manufacturing Company, L.P. also recommends contacting an authorized technician and using authorized factory parts.

Goodman Manufacturing Company, L.P. reserves the right to discontinue, or change at any time, specifications or designs without notice or without incurring obligations.

For assistance within the U.S.A. contact:
Consumer Affairs Department
Goodman Manufacturing Company, L.P.
7401 Security Way
Houston, Texas 77040
877-254-4729-Telephone
713-863-2382-Facsimile

For assistance outside the U.S.A. contact:
International Division
Goodman Manufacturing Company, L.P.
7401 Security Way
Houston, Texas 77040
713-861-2500-Telephone
713-863-2382-Facsimile

Functional Parts

Part

No: Description:

B1370738	24V TIME DELAY RELAY
CBK2PD240VA030S	30 AMP BREAKER (GE) (M1, M3, M6)
CBK2PD240VA040S	40 AMP BREAKER (GE) (M2, M4, M7)
CBK2PD240VA060S	60 AMP BREAKER (GE) (M5, M8)
CAP050000370VAS	CAPACITOR 5/370V (M1, M2, M3, M4, M5)
CAP075000370VAS	CAPACITOR 7.5/370V (M6, M7, M8)
B1037488S	HEAT ELEMENT W/SWITCH 10KW (M5, M8)
B1037485S	HEAT ELEMENT W/SWITCH 5KW (M1, M3, M6)
B1037487S	HEAT ELEMENT W/SWITCH 8KW (M2, M4, M7)
B13400312S	MOTOR 1/3 HP, 2 BOLT CIRCLE F (M6, M7, M8)
B13400313S	MOTOR 1/5 HP, 1.25 FLA (FLEX) (M1, M2, M3, M4, M5)
B1256551	SEQUENCER 5 KW (M1, M3, M6)
B1256552	SEQUENCER 8 - 10 KW (M2, M4, M5, M7, M8)
B1141643	TRANSFORMER 208/230, 24V
2085006S	TUBING ASSY, COIL (M1, M2)
2085007S	TUBING ASSY, COIL (M3, M4, M5)
2085008S	TUBING ASSY, COIL (M6, M7, M8)

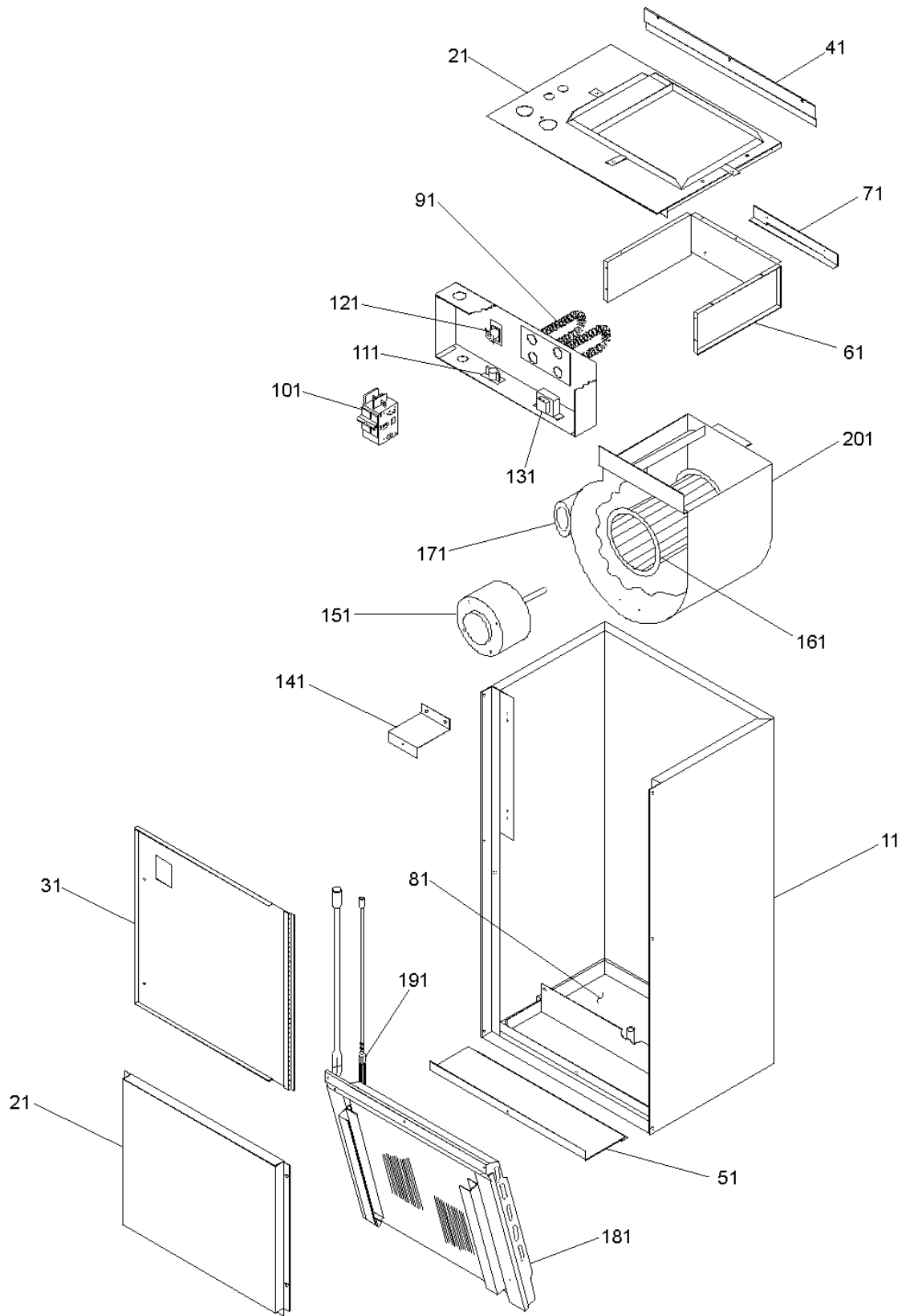
SPECIAL PARTS

IO-112E	INSTALLATION INSTRUCTIONS
PKC-0AB	PISTON KIT CHART
RP-139D	REPAIR PARTS MANUAL

Expanded Model Nomenclature

M1 - AW18-05C
M2 - AW18-08C
M3 - AW24-05C
M4 - AW24-08C
M5 - AW24-10C
M6 - AW30-05C
M7 - AW30-08C
M8 - AW30-10C

Replacement Parts List



Replacement Parts List

Ref. Part No:	No:	Description:	Ref. Part No:	No:	Description:
<i>Image 1:</i>					
11	2000105	WRAPPER ASSY			
21	2000204	TOP PANEL			
31	2000412P	ACCESS PANEL			
41	2000814	OFFSET BRACKET (QTY 3)			
51	2000407	DRAIN ACCESS PANEL			
61	2000607	HEATER ELEM. SHIELD			
71	2000710	BLOWER SUPPORT BRACKET			
81	B2055902L	PLASTIC DRAIN PAN			
91	B1037488S	HEAT ELEMENT W/SWITCH 10KW (M5, M8)			
91	B1037485S	HEAT ELEMENT W/SWITCH 5KW (M1, M3, M6)			
91	B1037487S	HEAT ELEMENT W/SWITCH 8KW (M2, M4, M7)			
101	CBK2PD240VA030S	30 AMP BREAKER (GE) (M1, M3, M6)			
101	CBK2PD240VA040S	40 AMP BREAKER (GE) (M2, M4, M7)			
101	CBK2PD240VA060S	60 AMP BREAKER (GE) (M5, M8)			
111	B1256551	SEQUENCER 5 KW (M1, M3, M6)			
111	B1256552	SEQUENCER 8 - 10 KW (M2, M4, M5, M7, M8)			
121	B1370738	24V TIME DELAY RELAY			
131	B1141643	TRANSFORMER 208/230, 24V			
141	2000711	BLOWER BRACKET			
151	B13400312S	MOTOR 1/3 HP, 2 BOLT CIRCLE F (M6, M7, M8)			
151	B13400313S	MOTOR 1/5 HP, 1.25 FLA (FLEX) (M1, M2, M3, M4, M5)			
161	B1368042S	BLOWER WHEEL 9 X 6			
171	CAP050000370VAS	CAPACITOR 5/370V (M1, M2, M3, M4, M5)			
171	CAP075000370VAS	CAPACITOR 7.5/370V (M6, M7, M8)			
181	2085006S	TUBING ASSY, COIL (M1, M2)			
181	2085007S	TUBING ASSY, COIL (M3, M4, M5)			
181	2085008S	TUBING ASSY, COIL (M6, M7, M8)			
191	B1313365	FLOWRATOR (M6, M7, M8)			
191	B1314252	FLOWRATOR (M1, M2)			
191	B1314359	FLOWRATOR (M3, M4, M5)			
201	1439389S	BLOWER HOUSING ASSY 9 X 6			
201	2000413P	FRONT ACCESS PANEL			
NS	764733F	BLOWER CUT-OFF 9 X 6			
NS	B821700	CAPACITOR BOOT			
NS	1284835	CAPACITOR STRAP			

Expanded Model Nomenclature

- | |
|---------------|
| M1 - AW18-05C |
| M2 - AW18-08C |
| M3 - AW24-05C |
| M4 - AW24-08C |
| M5 - AW24-10C |
| M6 - AW30-05C |
| M7 - AW30-08C |
| M8 - AW30-10C |