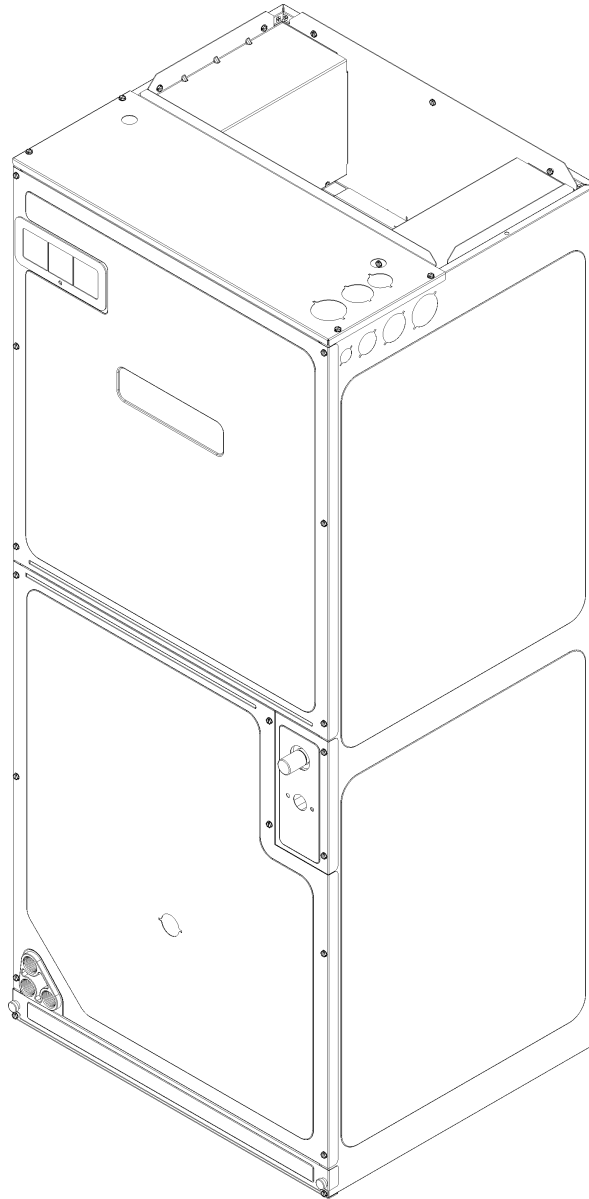


AVPVC Inverter Air Handler

AVPVC24C14AA
AVPVC36D14AA
AVPVC48D14AA
AVPVC60D14AA



Amana® is a registered trademark of Maytag Corporation or its related companies and is used under license to Goodman Company, L.P., Houston, TX, USA. All rights reserved.

This manual is to be used by qualified technicians only.

Important Information

Index

Functional Parts List	3
Illustration and Parts	4 - 9

Views shown are for parts illustrations only, not servicing procedures

Text Codes:

AR - As Required

NA - Not Available

NS - Not Shown

00000000 - See Note

QTY - Quantity Example (QTY 3) (If Quantity not shown, Quantity = 1)

M - Model Example (M1) (If M Code not shown, then part is used on all Models)

Expanded Model Nomenclature:

Example M1 - Model#1 M2 - Model#2 M3 - Model#3

Goodman Manufacturing Company, L.P. is not responsible for personal injury or property damage resulting from improper service. Review all service information before beginning repairs.

Warranty service must be performed by an authorized technician, using authorized factory parts. If service is required after the warranty expires, Goodman Manufacturing Company, L.P. also recommends contacting an authorized technician and using authorized factory parts.

Goodman Manufacturing Company, L.P. reserves the right to discontinue, or change at any time, specifications or designs without notice or without incurring obligations.

For assistance within the U.S.A. contact:
Consumer Affairs Department
Goodman Manufacturing Company, L.P.
7401 Security Way
Houston, Texas 77040
877-254-4729-Telephone
713-863-2382-Facsimile

For assistance outside the U.S.A. contact:
International Division
Goodman Manufacturing Company, L.P.
7401 Security Way
Houston, Texas 77040
713-861-2500-Telephone
713-863-2382-Facsimile

Functional Parts

Part

No:

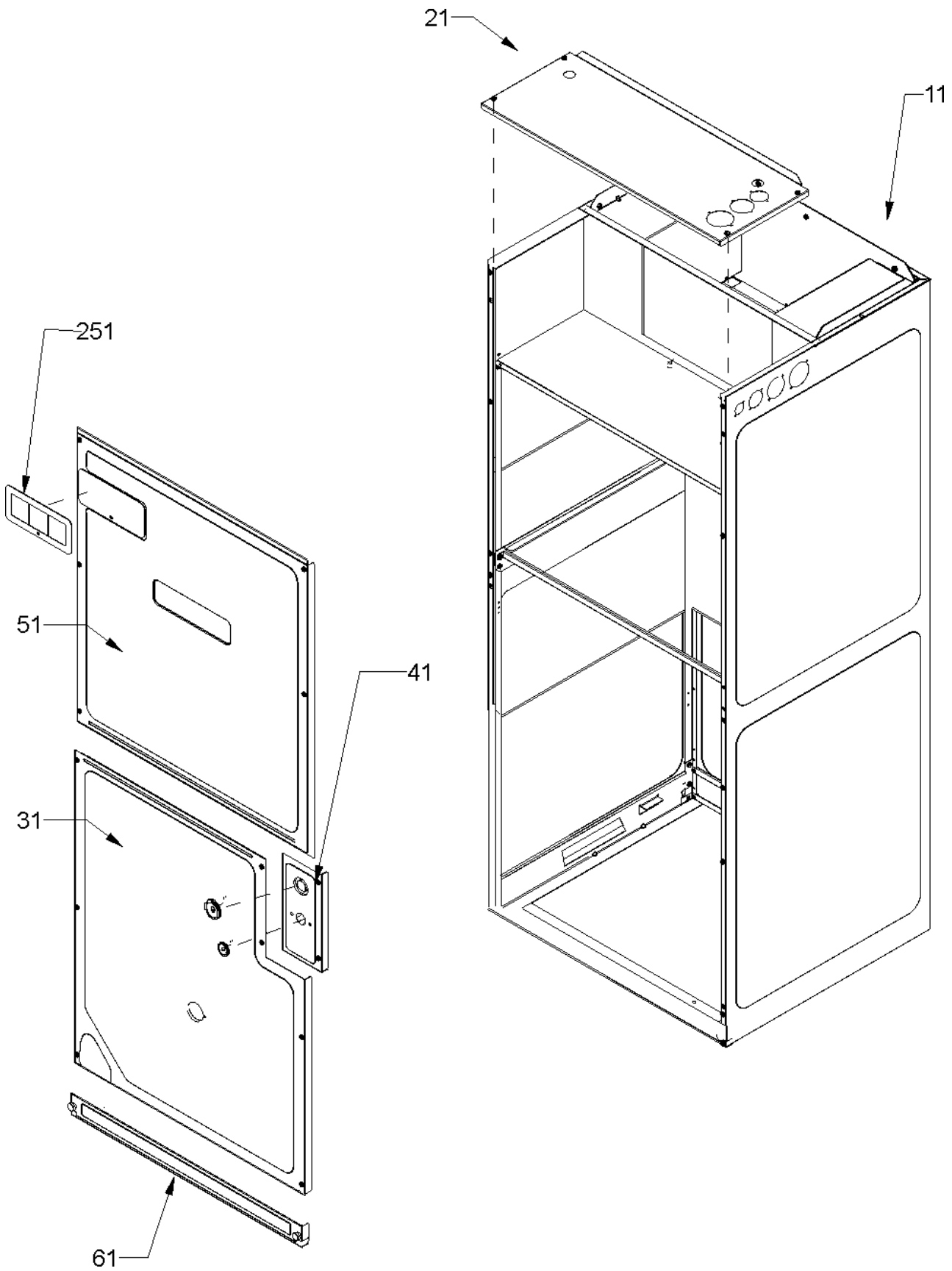
Description:

D6723306	BLOWER WHEEL (M2, M3)
D6723311	BLOWER WHEEL (M4)
B1368058	BLOWER WHEEL 10 X 8 (M1)
0130A00068	DATA AIRHANDLER PCB (M1)
0130A00071	DATA AIRHANDLER PCB (M4)
0130A00070	DATA AIRHANDLER PCB (M3)
0130A00069	DATA AIRHANDLER PCB (M2)
0131M00272	MOTOR, 1 HP, SERIAL ECM (M4)
0131M00270	MOTOR, 1/2 HP, SERIAL ECM (M1)
0131M00271	MOTOR, 3/4 HP, SERIAL ECM (M2, M3)
PCBJA103	PCB, CONTROL, AIR HANDLER
0130M00138	TRANSFORMER 208/230, 24V
B1787000	VALVE CORE
0151R00089	VALVE, ADJUSTABLE (M4)
0151R00086	VALVE, ADJUSTABLE (M1)
0151R00088	VALVE, ADJUSTABLE (M3)
0151R00087	VALVE, ADJUSTABLE (M2)

Expanded Model Nomenclature

M1 - AVPVC24C14AA
M2 - AVPVC36D14AA
M3 - AVPVC48D14AA
M4 - AVPVC60D14AA

Cabinet Assy



Cabinet Assy

Ref. Part No: No:	Description:	Ref. Part No: No:	Description:
-------------------	--------------	-------------------	--------------

Image 1:

11	0121A00276PDG	WRAPPER, LARGE, PAINTED (M2, M3, M4)
11	0121A00280PDG	WRAPPER, MED, PAINTED (M1)
21	0121A00374PDG	Plate, Upper tie, Painted (M1)
21	0121A00375PDG	Plate, Upper tie, Painted (M2, M3, M4)
31	0121A00656PDG	LOWER ACCESS PANEL (M1)
31	0121A00657PDG	LOWER ACCESS PANEL (M2, M3, M4)
41	0121A00661PDG	REFRIGERATION TUBING PANEL
51	0121A00651PDG	UPPER ACCESS PANEL (M2, M3, M4)
51	0121A00652PDG	UPPER ACCESS PANEL (M1)
61	0121A00243PDG	Panel, Filter Access, Ptd (M1)
61	0121A00244PDG	Panel, Filter Access, Ptd (M2, M3, M4)
251	0161A00034	PLASTIC BREAKER INSERT
NS	BT1369063	90 DEGREE STUB (M3, M4)
NS	0164A00002	GROMMET
NS	B1392630	GROMMET
NS	0163M00036	SCREW,#10X1/2,B,BZ,SLOT,SR,BLK
NS	0163A00026	THUMB SCREW (QTY 2)

Expanded Model Nomenclature

M1 - AVPVC24C14AA
M2 - AVPVC36D14AA
M3 - AVPVC48D14AA
M4 - AVPVC60D14AA

Control Panel / Coil Tubing

IMAGE 1

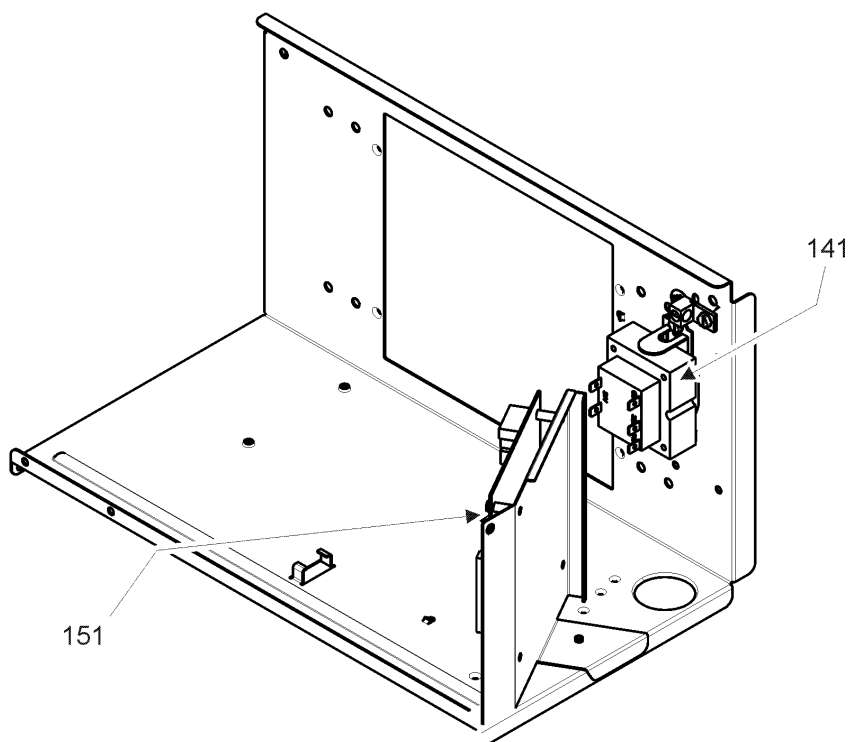
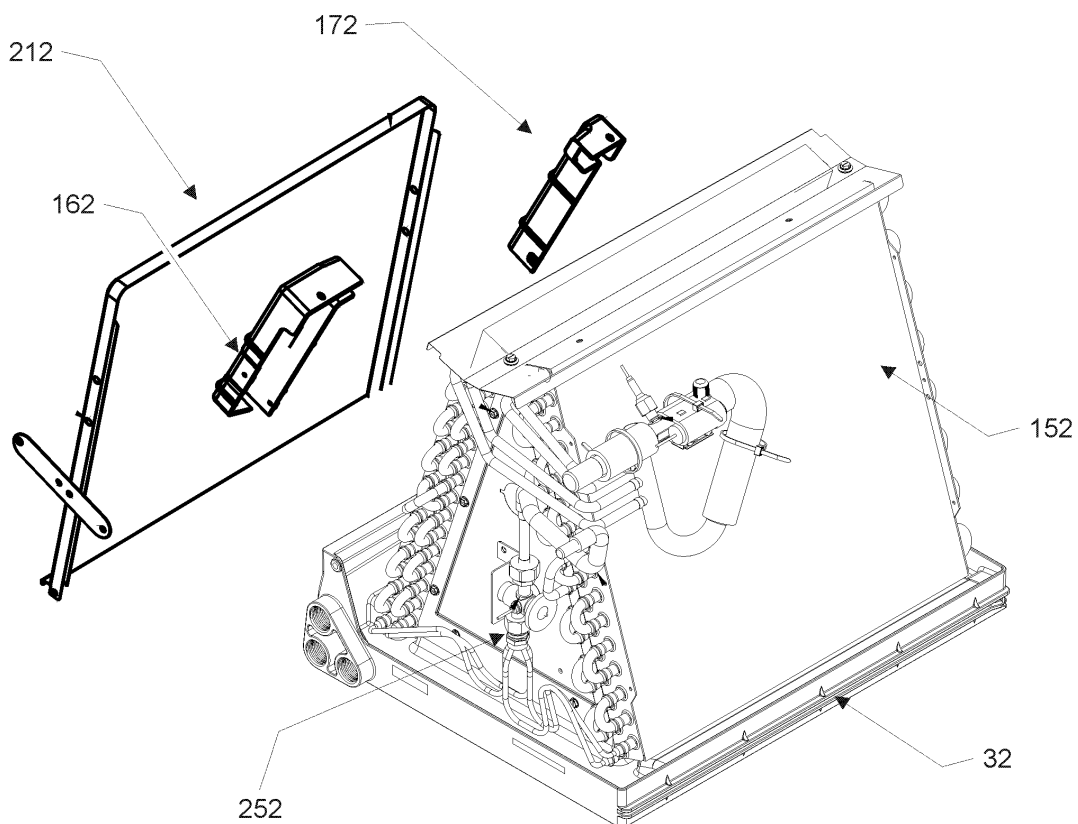


IMAGE 2



Control Panel / Coil Tubing

Ref. Part No: No:	Description:	Ref. Part No: No:	Description:
-------------------	--------------	-------------------	--------------

Image 1:

141	0130M00138	TRANSFORMER 208/230, 24V
151	PCBJA103	PCB, CONTROL, AIR HANDLER
NS	0130A00068	DATA AIRHANDLER PCB (M1)
NS	0130A00069	DATA AIRHANDLER PCB (M2)
NS	0130A00070	DATA AIRHANDLER PCB (M3)
NS	0130A00071	DATA AIRHANDLER PCB (M4)
NS	0259A00012P	WIRE ASSY, 9 PIN FEMALE CONN.
NS	0259A00016	WIRE HARNESS

Image 2:

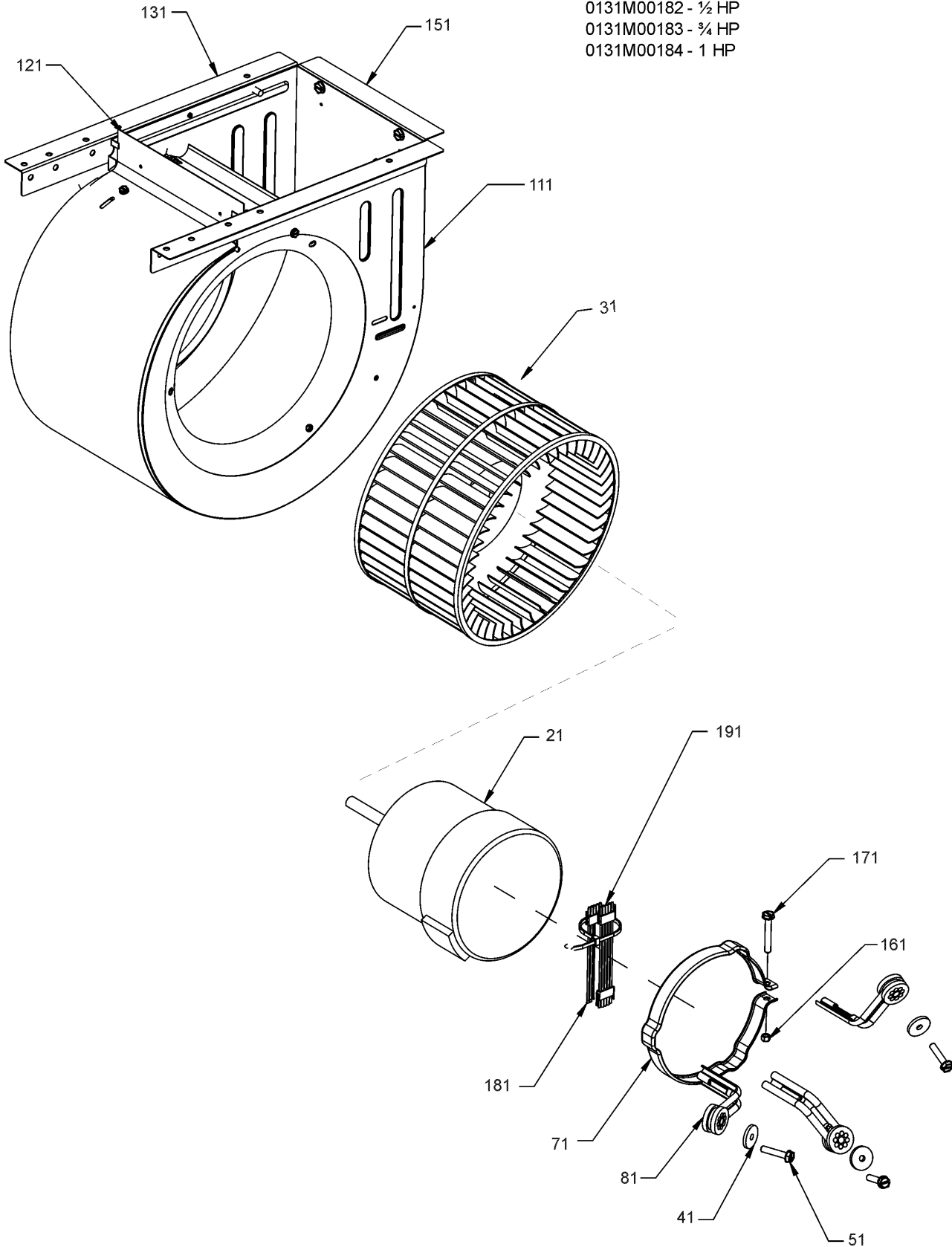
32	0161A00027	DRAIN PAN (M1)
32	0161A00028	DRAIN PAN (M2, M3, M4)
152	0270A00889	COIL TUBING ASSY (M1)
152	0270A00890	COIL TUBING ASSY (M2)
152	0270A00891	COIL TUBING ASSY (M3)
152	0270A00892	COIL TUBING ASSY (M4)
162	0161A00047	Plastic Condensate Collector
172	0161A00048	Plastic Condensate Collector
212	0121A00305PDG	Drip Shield, Ptd (M1)
212	0121A00306PDG	Drip Shield, Ptd (M2, M3, M4)
252	0151R00086	VALVE, ADJUSTABLE (M1)
252	0151R00087	VALVE, ADJUSTABLE (M2)
252	0151R00088	VALVE, ADJUSTABLE (M3)
252	0151R00089	VALVE, ADJUSTABLE (M4)
NS	0163M00175	CAP WITH O-RING
NS	0154A00003BL	Gasket, Drain Pan
NS	B1787000	VALVE CORE

Expanded Model Nomenclature

M1 - AVPVC24C14AA
M2 - AVPVC36D14AA
M3 - AVPVC48D14AA
M4 - AVPVC60D14AA

Blower Components

*If end bells are needed please order the following:
0131M00182 - 1/2 HP
0131M00183 - 3/4 HP
0131M00184 - 1 HP



Blower Components

Ref. Part No: No:	Description:	Ref. Part No: No:	Description:
<i>Image 1:</i>			
21	0131M00272		MOTOR, 1 HP, SERIAL ECM (M4)
21	0131M00270		MOTOR, 1/2 HP, SERIAL ECM (M1)
21	0131M00271		MOTOR, 3/4 HP, SERIAL ECM (M2, M3)
31	D6723306		BLOWER WHEEL (M2, M3)
31	D6723311		BLOWER WHEEL (M4)
31	B1368058		BLOWER WHEEL 10 X 8 (M1)
41	B1392918		WASHER, FLAT 1/4 ID X 1 OD (QTY 3)
51	M0250565		TC SCREW 1.25" (QTY 3)
71	0121M00038		MOTOR MOUNT BAND (M1)
71	0121M00039		MOTOR MOUNT BAND (HEAVY DUTY) (M2, M3, M4)
81	B1376853		MOTOR MOUNT ARM (M1)
81	B1376863		MOTOR MOUNT ARM (HEAVY DUTY) (M2, M3, M4)
111	0271A00016		BLOWER HOUSING ASSY 10 X 10 (M2, M3)
111	0271A00029		BLOWER HOUSING ASSY 10 X 8 (M1)
111	0271A00013		BLOWER HOUSING ASSY 11 X 10 (M4)
121	764741		BLOWER BLOCK-OFF 10 X 10 (M2, M3)
121	764740		BLOWER BLOCK-OFF 10 X 8 (M1)
121	1864700		BLOWER CUT-OFF 10 X 10 (M4)
131	0121A00275		Rail, Blower (M4)
151	0121A00353		Angle, Blower Mounting (M4)
161	B1393800		LOCKNUT, NYLON, INSERT 1/4, 20
171	B1393323		MACHINE SCREW HWH 1/4-20 X 1-1/2 BZ
181	0259A00020		HIGH VOLTAGE WIRE HARNESS
191	0259A00019		WIRE HARNESS

Expanded Model Nomenclature

- | |
|-------------------|
| M1 - AVPVC24C14AA |
| M2 - AVPVC36D14AA |
| M3 - AVPVC48D14AA |
| M4 - AVPVC60D14AA |

*If end bells are needed please order the following:

- 0131M00182 - 1/2 HP
- 0131M00183 - 3/4 HP
- 0131M00184 - 1 HP