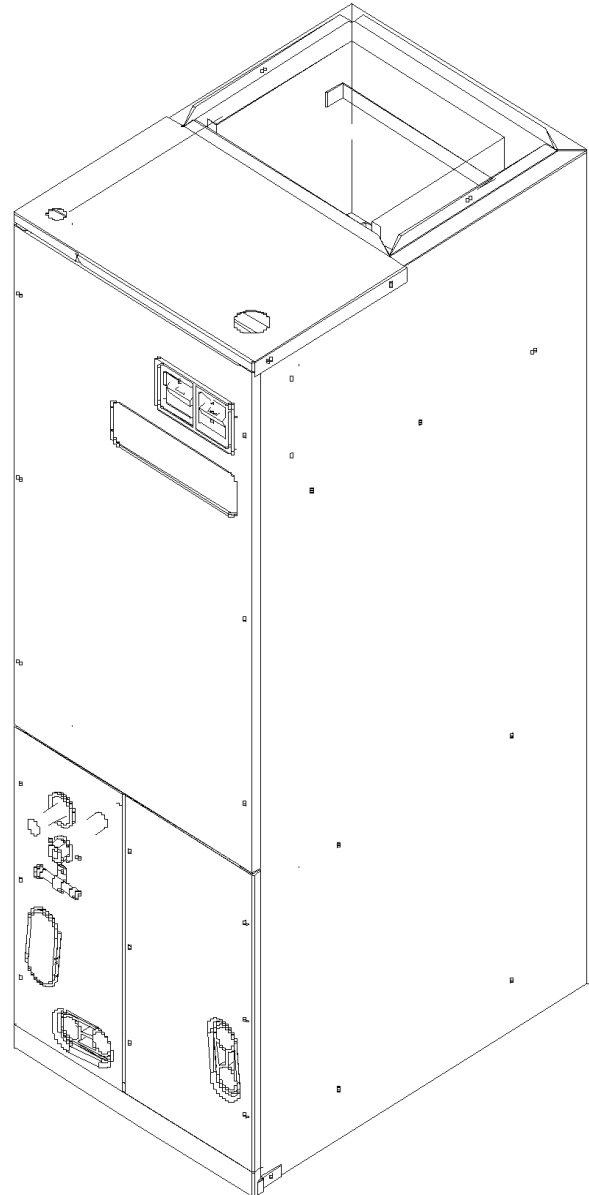


# REPAIR PARTS

---

## AVPTC Air Handler

AVPTC183014AA  
AVPTC313714AA  
AVPTC426014AA



This manual is to be used by qualified technicians only.

This manual replaces RP-566.

© 2013, 2018 Goodman Manufacturing Company, L.P. ♦ 5151 San Felipe St, Suite 500 ♦ Houston, TX 77056

# Important Information

---

## Index

Functional Parts List .....	3
Illustration and Parts .....	4 - 5

*Views shown are for parts illustrations only, not servicing procedures.*

### Text Codes:

AR - As Required

NA - Not Available

NS - Not Shown

00000000 - See Note

QTY - Quantity Example (QTY 3) (If Quantity not shown, Quantity = 1)

M - Model Example (M1) (If M Code not shown, then part is used on all Models)

### Expanded Model Nomenclature:

Example M1 - Model#1 M2 - Model#2 M3 - Model#3
---

Goodman Manufacturing Company, L.P. is not responsible for personal injury or property damage resulting from improper service. Review all service information before beginning repairs.

Warranty service must be performed by an authorized technician, using authorized factory parts. If service is required after the warranty expires, Goodman Manufacturing Company, L.P. also recommends contacting an authorized technician and using authorized factory parts.

Goodman Manufacturing Company, L.P. reserves the right to discontinue, or change at any time, specifications or designs without notice or without incurring obligations.

For assistance within the U.S.A. contact:  
Homeowner Support  
Goodman Manufacturing Company, L.P.  
19001 Kermier Road  
Waller, Texas 77484  
877-254-4729-Telephone  
713-863-2382-Facsimile

For assistance outside the U.S.A. contact:  
International Division  
Goodman Manufacturing Company, L.P.  
19001 Kermier Road  
Waller, Texas 77484  
713-861-2500-Telephone  
713-863-2382-Facsimile

# Functional Parts

## Part

## No: Description:

---

0131M00272	BLOWER MOTOR 1 HP SERIAL ECM (M3)
0131M00270	BLOWER MOTOR 1/2 HP, SERIAL ECM (M1)
0131M00271	BLOWER MOTOR 3/4 HP SERIAL ECM (M2)
0150M00036	BLOWER WHEEL 10 X 10 (M2, M3)
B1368037	BLOWER WHEEL 9 X 8 (M1)
0130A00023	DATA AIR HANDLER PCB (M2)
0130A00022	DATA AIR HANDLER PCB (M1)
0130A00024	DATA AIR HANDLER PCB (M3)
0259A00009	MOTOR CONTROL HARNESS
PCBJA101	PCB, CONTROL, AIR HANDLER
0130M00138	TRANSFORMER, 208/230, 24V
0151R00035	VALVE, TXV R-410A (M3)
0151R00036	VALVE, TXV R-410A (M2)
0151R00019	VALVE, TXV R-410A (M1)
0259A00002P	WIRE ASSY, 9-PIN MALE CONNECTOR
0259A00011	WIRE HARNESS
B1378701	WIRE HARNESS, HIGH VOLTAGE (5-PIN ECM)

### Expanded Model Nomenclature

M1 - AVPTC183014AA

M2 - AVPTC313714AA

M3 - AVPTC426014AA

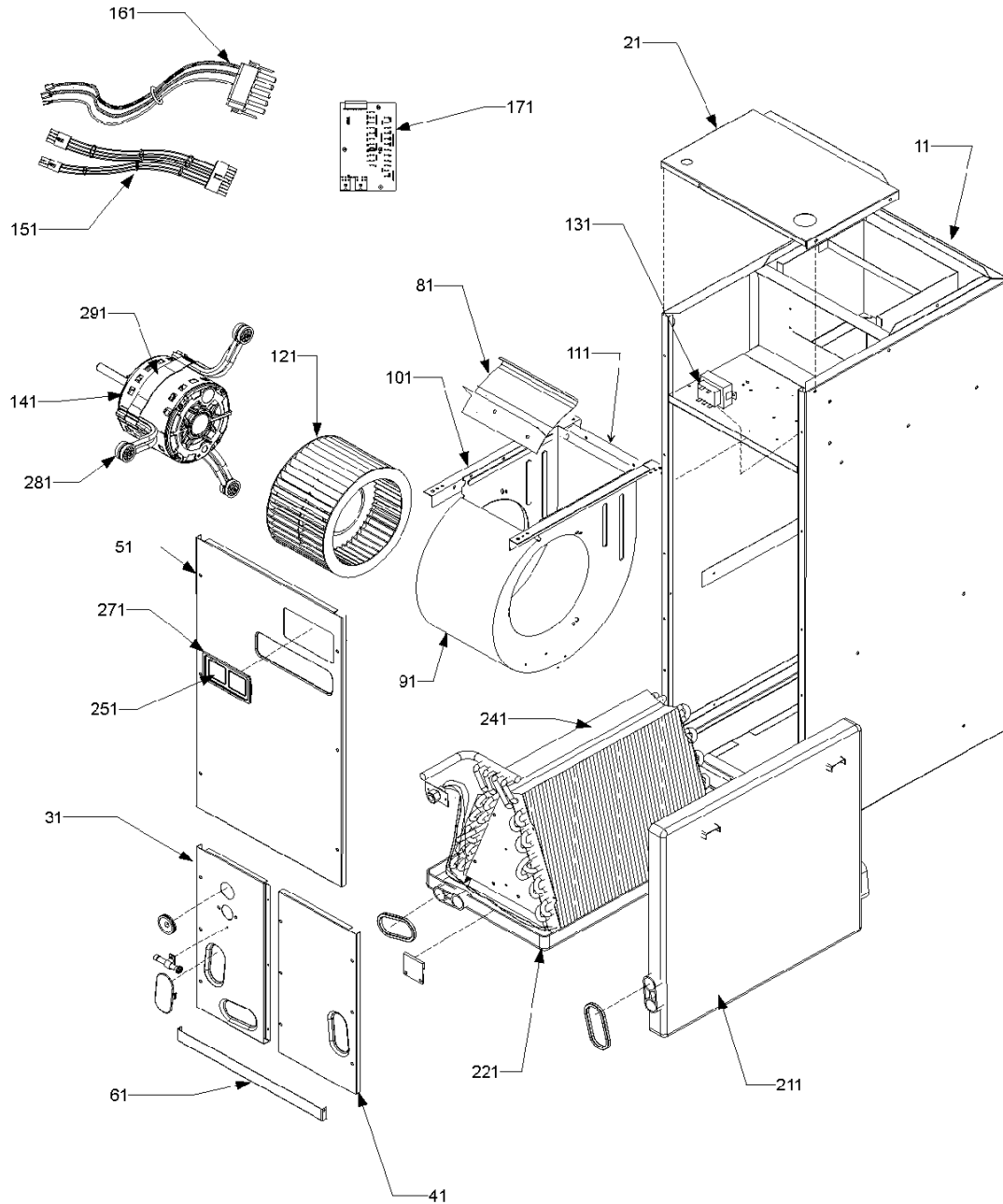
# Unit Assembly

\*If end bells are needed please order the following:

0131M00182 - 1/2 HP

0131M00183 - 3/4 HP

0131M00184 - 1 HP



# Unit Assembly

Ref. Part No:	Ref. Part No:	Description:	Description:
<b>Image 1:</b>		<b>Expanded Model Nomenclature</b>	
11	1721122PDG	WRAPPER (M1)	M1 - AVPTC183014AA
11	1721123PDG	WRAPPER (M2, M3)	M2 - AVPTC313714AA
21	0121A00114PDG	PAINTED UPPER TIE PLATE (M1)	M3 - AVPTC426014AA
21	0121A00115PDG	PAINTED UPPER TIE PLATE (M2, M3)	
31	0121A00117PDG	LOWER ACCESS PNL, W/PAINT (M1)	
31	0121A00118PDG	LOWER ACCESS PNL, W/PAINT (M2, M3)	
41	1722080PDG	LOWER SERVICE PANEL (M1)	
41	1722081PDG	LOWER SERVICE PANEL (M2, M3)	
51	1722083PDG	UPPER ACCESS PANEL (M1)	
51	1722084PDG	UPPER ACCESS PANEL (M2, M3)	
61	1722087PDG	FILTER COVER LRG (M2, M3)	
61	1722086PDG	FILTER COVER MED (M1)	
81	764741F	BLOWER BLOCK-OFF 10 X 10 (M2, M3)	
81	C6121810	BLOWER CUT-OFF (M1)	
91	0271A00016	BLOWER HOUSING ASSY 10 X 10 (M2, M3)	
91	1439392	BLOWER HOUSING ASSY 9 X 8 (M1)	
101	0121A00027	BLOWER MOUNTING ANGLE (M1)	
111	1717109	BLOWER MOUNTING ANGLE (M1)	
121	0150M00036	BLOWER WHEEL 10 X 10 (M2, M3)	
121	B1368037	BLOWER WHEEL 9 X 8 (M1)	
131	0130M00138	TRANSFORMER, 208/230, 24V	
141	0131M00272	BLOWER MOTOR 1 HP SERIAL ECM (M3)	
141	0131M00270	BLOWER MOTOR 1/2 HP, SERIAL ECM (M1)	
141	0131M00271	BLOWER MOTOR 3/4 HP SERIAL ECM (M2)	
151	0259A00002P	WIRE ASSY, 9-PIN MALE CONNECTOR	
161	0259A00009	MOTOR CONTROL HARNESS	
171	PCBJA101	PCB, CONTROL, AIR HANDLER	
211	B1756022L	PLASTIC DRAIN PAN (HORIZONTAL) (M1)	
211	B1756028L	PLASTIC DRAIN PAN (HORIZONTAL) (M2, M3)	
221	B1756017L	PLASTIC DRAIN PAN (VERTICAL) (M1)	
221	B1756020L	PLASTIC DRAIN PAN (VERTICAL) (M2, M3)	
241	0270A00491	Coil Tubing Assy (M1)	
241	0270A00498	COIL TUBING ASSY (M2)	
241	0270A00499	COIL TUBING ASSY (M3)	
251	0161A00034	PLASTIC CIRCUIT BREAKER INSERT	
271	B13926122	CIRCUIT BREAKER INSERT GASKET	
281	B1376853	MOTOR MOUNT ARM (M2, M3)	
281	B1376861	MOTOR MOUNT ARM (M1)	
291	0121M00038	MOTOR MOUNT BAND	
NS	BT1369063	90 DEGREE STUB	
NS	1721921	BOTTOM BRACKET, LARGE (AR) (M2, M3)	
NS	1721920	BOTTOM BRACKET, MEDIUM (AR) (M1)	
NS	1721918	BOTTOM TIE LRG (M2, M3)	
NS	1721917	BOTTOM TIE MED (M1)	
NS	0163M00175	CAP WITH O-RING	
NS	0130A00022	DATA AIR HANDLER PCB (M1)	
NS	0130A00023	DATA AIR HANDLER PCB (M2)	
NS	0130A00024	DATA AIR HANDLER PCB (M3)	
NS	B1392640	PLASTIC DRAIN COVER (QTY 2)	
NS	B1787000	VALVE CORE	
NS	0151R00019	VALVE, TXV R-410A (M1)	
NS	0151R00035	VALVE, TXV R-410A (M3)	
NS	0151R00036	VALVE, TXV R-410A (M2)	
NS	0259A00011	WIRE HARNESS	
NS	B1378701	WIRE HARNESS, HIGH VOLTAGE (5-PIN ECM)	

\*If end bells are needed please order the following:  
 0131M00182 - 1/2 HP  
 0131M00183 - 3/4 HP  
 0131M00184 - 1 HP