



REPAIR PARTS

AVH VTAC Units

AVH093H25AXXXAA
AVH093H35AXXXAA
AVH093H50AXXXAA
AVH094H25AXXXAA
AVH094H35AXXXAA
AVH094H50AXXXAA
AVH123H25AXXXAA
AVH123H35AXXXAA
AVH123H50AXXXAA
AVH124H25AXXXAA
AVH124H35AXXXAA
AVH124H50AXXXAA
AVH183H25AXXXAA
AVH183H35AXXXAA
AVH183H50AXXXAA
AVH184H25AXXXAA
AVH184H35AXXXAA
AVH184H50AXXXAA
AVH243H10AXXXAA
AVH243H25AXXXAA
AVH243H35AXXXAA
AVH243H50AXXXAA
AVH243H75AXXXAA
AVH244H10AXXXAA
AVH244H25AXXXAA
AVH244H35AXXXAA
AVH244H50AXXXAA
AVH244H75AXXXAA

Amana® is a registered trademark of Maytag Corporation or its related companies and is used under license. All rights reserved.

This manual is to be used by qualified technicians only.

This manual replaces RP-A5358.

© 2020 - 2021 Goodman Company, L.P. ♦ 5151 San Felipe St, Suite 500 ♦ Houston, TX 77056

Important Information

Index

Functional Parts List	3 - 4
Illustration and Parts	4 - 27

Views shown are for parts illustrations only, not servicing procedures

Text Codes:

AR - As Required

NA - Not Available

NS - Not Shown

00000000 - See Note

QTY - Quantity Example (QTY 3) (If Quantity not shown, Quantity = 1)

M - Model Example (M1) (If M Code not shown, then part is used on all Models)

Expanded Model Nomenclature:

Example M1 - Model#1 M2 - Model#2 M3 - Model#3

Goodman Company, L.P. is not responsible for personal injury or property damage resulting from improper service. Review all service information before beginning repairs.

Warranty service must be performed by an authorized technician, using authorized factory parts. If service is required after the warranty expires, Goodman Company, L.P. also recommends contacting an authorized technician and using authorized factory parts.

Goodman Company, L.P. reserves the right to discontinue, or change at any time, specifications or designs without notice or without incurring obligations.

For assistance within the U.S.A. contact:

Homeowner Support
Goodman Company, L.P.
19001 Kermier Road
Waller, Texas 77484
877-254-4729-Telephone
713-863-2382-Facsimile

For assistance outside the U.S.A. contact:

International Division
Goodman Company, L.P.
19001 Kermier Road
Waller, Texas 77484
713-861-2500-Telephone
713-863-2382-Facsimile

Functional Parts

Part

No: Description:

Part No:	Description:	Part No:	Description:
AMA61080702	CAPCTR 25 MF 450V 2.0 (M1, M2, M3, M4, M5, M6, M7, M8, M9, M10, M11, M12)	AMA61643311	RELAY 230V COIL DPDT 30A 208/240VAC (M24, M25, M26, M27, M28)
AMA61080702	CAPCTR 25 MF 450V 2.0 (M1, M2, M3, M4, M5, M6, M7, M8, M9, M10, M11, M12)	AMA61643311	RELAY 230V COIL DPDT 30A 208/240VAC (M4, M5, M6, M10, M11, M12)
AMA61080700	CAPCTR 35 MF 370V 2.0 (M13, M14, M15, M16, M17, M18)	AMA61643311	RELAY 230V COIL DPDT 30A 208/240VAC (M16, M17, M18)
AMA61080703	CAPCTR 40 MF 450V 2.0" X 3.75" (M24, M25, M26, M27, M28)	AMA61643311	RELAY 230V COIL DPDT 30A 208/240VAC (M24, M28)
AMA61080703	CAPCTR 40 MF 450V 2.0" X 3.75" (M19, M20, M21, M22, M23)	AMA62600205	SENSOR ID COIL TEMPERATURE (GREEN) (M1, M2, M3, M4, M5, M6, M7, M8, M9, M10, M11, M12)
AMA80118601	CONTACTOR 240VAC HCL- 1NU01AAC (M19, M20, M21, M22, M23)	AMA62600205	SENSOR ID COIL TEMPERATURE (GREEN) (M16, M17, M18)
AMA80118601	CONTACTOR 240VAC HCL-1NU01AAC (M13, M14, M15)	AMA62600205	SENSOR ID COIL TEMPERATURE (GREEN) (M1, M2, M3, M4, M5, M6, M7, M8, M9, M10, M11, M12)
AMA80118601	CONTACTOR 240VAC HCL-1NU01AAC (M16, M17, M18)	AMA62600205	SENSOR ID COIL TEMPERATURE (GREEN) (M24, M25, M26, M27, M28)
AMA80118601	CONTACTOR 240VAC HCL-1NU01AAC (M24, M25, M26, M27, M28)	AMA62600205	SENSOR ID COIL TEMPERATURE (GREEN) (M13, M14, M15)
AMA61773319	FUSE 600V 15A CC TD (M24, M25, M26, M27, M28)	AMA62600205	SENSOR ID COIL TEMPERATURE (GREEN) (M19, M20, M21, M22, M23)
AMA61773319	FUSE 600V 15A CC TD (M16, M17, M18)	AMA62600203	SENSOR ID R/A TEMPERATURE (WHITE) (M19, M20, M21, M22, M23)
AMA61773319	FUSE 600V 15A CC TD (M4, M5, M6)	AMA62600203	SENSOR ID R/A TEMPERATURE (WHITE) (M24, M25, M26, M27, M28)
AMA61773317	FUSE 600V 20A CC TD (M24, M25, M26, M27, M28)	AMA62600203	SENSOR ID R/A TEMPERATURE (WHITE) (M16, M17, M18)
AMA61773317	FUSE 600V 20A CC TD (M4, M5, M6)	AMA62600203	SENSOR ID R/A TEMPERATURE (WHITE) (M13, M14, M15)
AMA61773317	FUSE 600V 20A CC TD (M16, M17, M18)	AMA62600203	SENSOR ID RIA TEMPERATURE(WHITE) (M1, M2, M3, M4, M5, M6, M7, M8, M9, M10, M11, M12)
AMA80017090	HEATER VPAK-A NXT 2.5KW 230V (M1, M7)	AMA62600203	SENSOR ID RIA TEMPERATURE(WHITE) (M1, M2, M3, M4, M5, M6, M7, M8, M9, M10, M11, M12)
AMA80017102	HEATER VPAK-A NXT 2.5KW 265V (M4, M10)	AMA62600206	SENSOR OD COIL TEMPERATURE (BLUE) (M16, M17, M18)
AMA80102295	HEATER VPAK-A NXT 2.5KW 265V (M20)	AMA62600206	SENSOR OD COIL TEMPERATURE (BLUE) (M19, M20, M21, M22, M23)
AMA80102295	HEATER VPAK-A NXT 2.5KW 265V (M13)	AMA62600206	SENSOR OD COIL TEMPERATURE (BLUE) (M13, M14, M15)
AMA80017091	HEATER VPAK-A NXT 3.4KW 230V (M2, M8)	AMA62600206	SENSOR OD COIL TEMPERATURE (BLUE) (M24, M25, M26, M27, M28)
AMA80017101	HEATER VPAK-A NXT 3.4KW 265V (M5, M11)	AMA62600206	SENSOR OD COIL TEMPERATURE (BLUE) (M1, M2, M3, M4, M5, M6, M7, M8, M9, M10, M11, M12)
AMA80102296	HEATER VPAK-A NXT 3.4KW 265V (M21)	AMA61773324	SWITCH CIRCUIT BRKR 20A 230V (M1, M2, M3, M4, M5, M6, M7, M8, M9, M10, M11, M12)
AMA80017092	HEATER VPAK-A NXT 5.0KW 230V (M3, M9)	AMA61773324	SWITCH CIRCUIT BRKR 20A 230V CITR220Q2NS (M13, M14, M15)
AMA80102297	HEATER VPAK-A NXT 5.0KW 265V (M15)	AMA61773324	SWITCH CIRCUIT BRKR 20A 230V CITR220Q2NS (M24, M25, M26, M27, M28)
AMA80102297	HEATER VPAK-A NXT 5.0KW 265V (M22)	AMA61773324	SWITCH CIRCUIT BRKR 20A 230V CITR220Q2NS (M16, M17, M18)
AMA80017100	HEATER VPAK-A NXT 5.0KW 265V (M6, M12)	AMA61773324	SWITCH CIRCUIT BRKR 20A 230V CITR220Q2NS (M19, M20, M21, M22, M23)
AMA80102294	HEATER VPAK-A24 NXT 10.0KW 230V (M19)	AMA61670803	TRANSFORMER IN 265V OUT235V (M4, M5, M6, M10, M11, M12)
AMA80102304	HEATER VPAK-A24 NXT 10.0KW265V (M19)	AMA61670803	TRANSFORMER IN 265V OUT235V (M16, M17, M18)
AMA80102290	HEATER VPAK-A24 NXT 2.5KW230V (M20)	AMA61670803	TRANSFORMER IN 265V OUT235V (M24, M25, M26, M27, M28)
AMA80102290	HEATER VPAK-A24 NXT 2.5KW230V (M13)		
AMA80102291	HEATER VPAK-A24 NXT 3.4KW230V (M21)		
AMA80102291	HEATER VPAK-A24 NXT 3.4KW230V (M14)		
AMA80102292	HEATER VPAK-A24 NXT 5.0KW230V (M22)		
AMA80102292	HEATER VPAK-A24 NXT 5.0KW230V (M15)		
AMA80102305	HEATER VPAK-A24 NXT 7.5KW230V (M23)		
AMA80102303	HEATER VPAK-A24 NXT 7.5KW265V (M23)		
AMA80006873	MTR 1/4 4 10P CW 2 BLDC VPAK (M1, M2, M3, M4, M5, M6, M7, M8, M9, M10, M11, M12)		
AMA80007600	NONFUSED DISCONNECT (M1, M2, M3, M4, M5, M6, M7, M8, M9, M10, M11, M12)		
AMA80007600	NONFUSED DISCONNECT (M1, M2, M3, M4, M5, M6, M7, M8, M9, M10, M11, M12)		
AMA80007600	NONFUSED DISCONNECT (M24, M25, M26, M27, M28)		
AMA80007600	NONFUSED DISCONNECT (M13, M14, M15)		
AMA80007600	NONFUSED DISCONNECT (M16, M17, M18)		
AMA80007600	NONFUSED DISCONNECT (M19, M20, M21, M22, M23)		

Functional Parts

Part

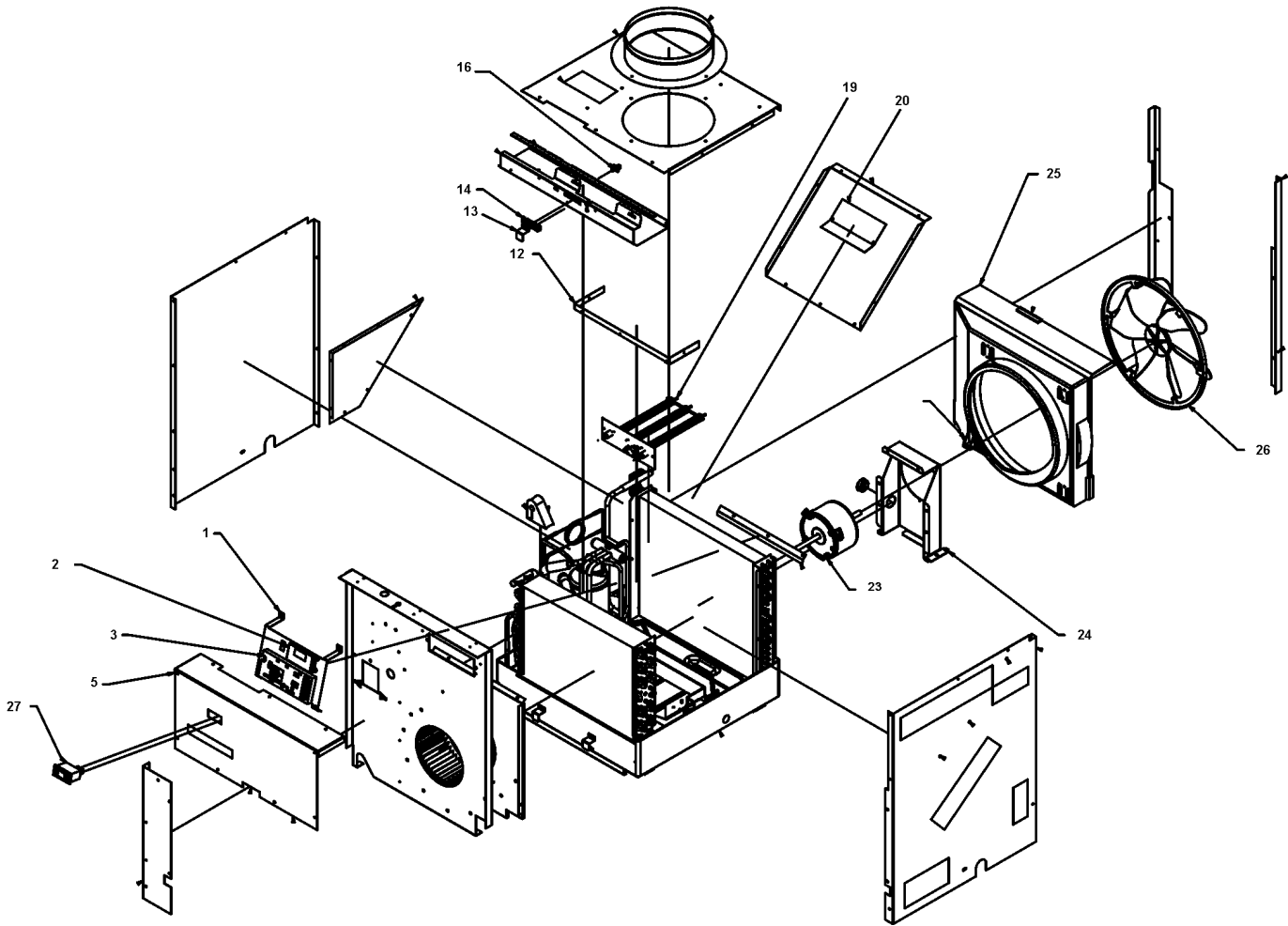
No:

Description:

Expanded Model Nomenclature

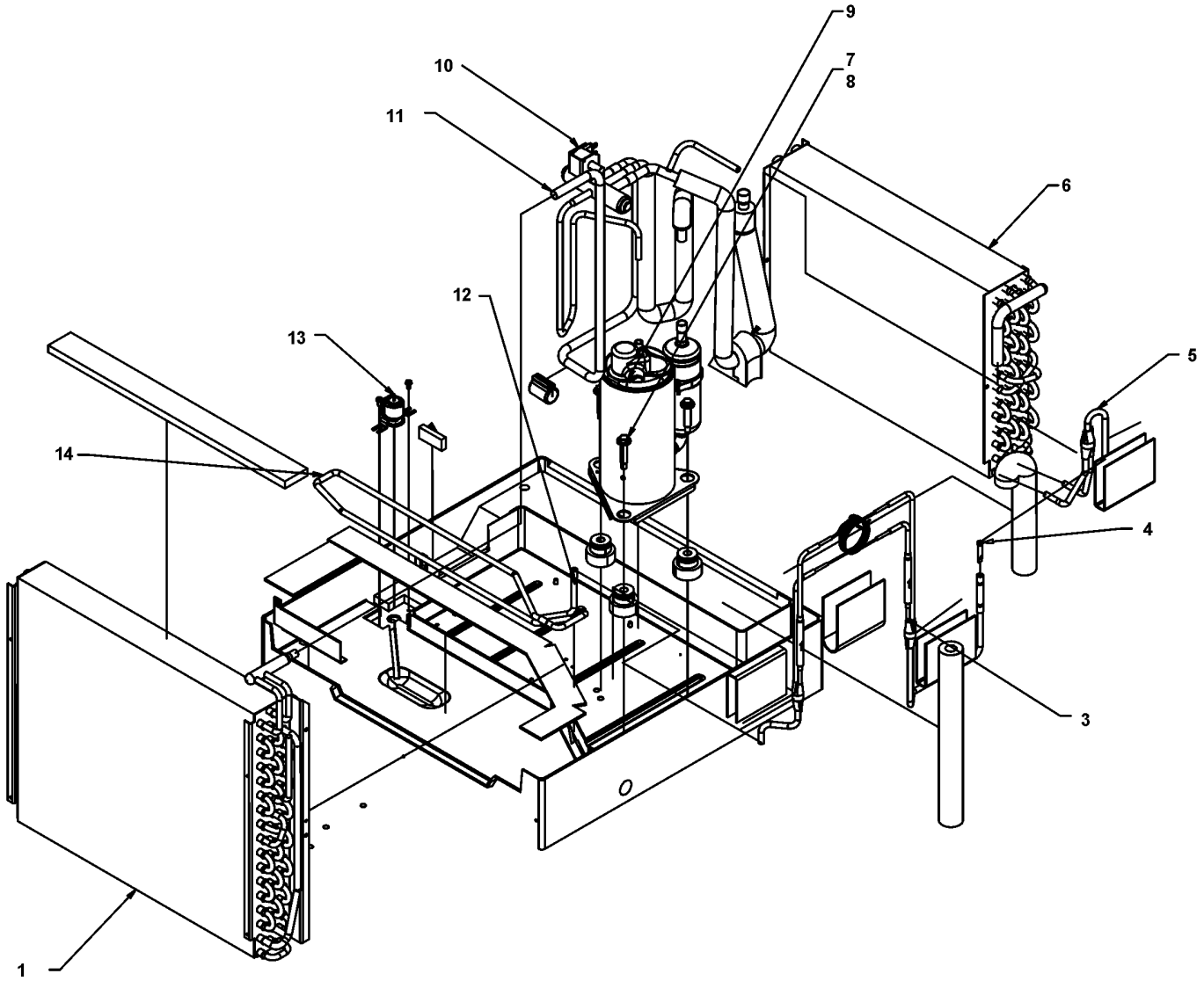
M1 - AVH093H25AXXXAA
M2 - AVH093H35AXXXAA
M3 - AVH093H50AXXXAA
M4 - AVH094H25AXXXAA
M5 - AVH094H35AXXXAA
M6 - AVH094H50AXXXAA
M7 - AVH123H25AXXXAA
M8 - AVH123H35AXXXAA
M9 - AVH123H50AXXXAA
M10 - AVH124H25AXXXAA
M11 - AVH124H35AXXXAA
M12 - AVH124H50AXXXAA
M13 - AVH183H25AXXXAA
M14 - AVH183H35AXXXAA
M15 - AVH183H50AXXXAA
M16 - AVH184H25AXXXAA
M17 - AVH184H35AXXXAA
M18 - AVH184H50AXXXAA
M19 - AVH243H10AXXXAA
M20 - AVH243H25AXXXAA
M21 - AVH243H35AXXXAA
M22 - AVH243H50AXXXAA
M23 - AVH243H75AXXXAA
M24 - AVH244H10AXXXAA
M25 - AVH244H25AXXXAA
M26 - AVH244H35AXXXAA
M27 - AVH244H50AXXXAA
M28 - AVH244H75AXXXAA

AVH09* & AVH12*
UNIT ASSEMBLY



Ref. Part No: No:	Description:	Ref. Part No: No:	Description:
Image 1:		Expanded Model Nomenclature	
1	AMA80050636 BRACKET ELECT CNTRL VPAK SMALL CIRC-BK (M1, M2, M3, M4, M5, M6, M7, M8, M9, M10, M11, M12)	M1 - AVH093H25AXXXAA	
2	AMA62600601 DISPLAY SERVICE VPAK GE (M1, M2, M3, M4, M5, M6, M7, M8, M9, M10, M11, M12)	M2 - AVH093H35AXXXAA	
3	AMA62601009 KIT E-CNTL SERV COOL HP VHA (M1, M2, M3, M4, M5, M6, M7, M8, M9, M10, M11, M12)	M3 - AVH093H50AXXXAA	
4	AMA62600118 ASSY E-CNTRL COOL/EH AMP JMPR (M1, M2, M3, M4, M5, M6, M7, M8, M9, M10, M11, M12)	M4 - AVH094H25AXXXAA	
5	AMA80015705 PANEL CONTROL BOX PREPNTD (M1, M2, M3, M4, M5, M6, M7, M8, M9, M10, M11, M12)	M5 - AVH094H35AXXXAA	
5	AMA80015706 PANEL CONTROL BOX PREPNTD 18K265 (M1, M2, M3, M4, M5, M6, M7, M8, M9, M10, M11, M12)	M6 - AVH094H50AXXXAA	
12	AMA80049000 INSULATION RETAINER (M1, M2, M3, M4, M5, M6, M7, M8, M9, M10, M11, M12)	M7 - AVH123H25AXXXAA	
13	AMA80037403 CLIP FILTER CHAMFERED (M1, M2, M3, M4, M5, M6, M7, M8, M9, M10, M11, M12)	M8 - AVH123H35AXXXAA	
14	AMA61656200 CHANNEL EXHAUST DOOR (M1, M2, M3, M4, M5, M6, M7, M8, M9, M10, M11, M12)	M9 - AVH123H50AXXXAA	
16	AMA61656201 SLIDE EXHAUST DOOR (M1, M2, M3, M4, M5, M6, M7, M8, M9, M10, M11, M12)	M10 - AVH124H25AXXXAA	
19	AMA80017090 HEATER VPAK-A NXT 2.5KW 230V (M1, M7)	M11 - AVH124H35AXXXAA	
19	AMA80017102 HEATER VPAK-A NXT 2.5KW 265V (M4, M10)	M12 - AVH124H50AXXXAA	
19	AMA80017091 HEATER VPAK-A NXT 3.4KW 230V (M2, M8)	M13 - AVH183H25AXXXAA	
19	AMA80017101 HEATER VPAK-A NXT 3.4KW 265V (M5, M11)	M14 - AVH183H35AXXXAA	
19	AMA80017092 HEATER VPAK-A NXT 5.0KW 230V (M3, M9)	M15 - AVH183H50AXXXAA	
19	AMA80017100 HEATER VPAK-A NXT 5.0KW 265V (M6, M12)	M16 - AVH184H25AXXXAA	
20	AMA80023401 SUPPORT HEATER (M1, M2, M3, M4, M5, M6, M7, M8, M9, M10, M11, M12)	M17 - AVH184H35AXXXAA	
23	AMA80006873 MTR 1/4 4 10P C W 2 BLDC VPAK (M1, M2, M3, M4, M5, M6, M7, M8, M9, M10, M11, M12)	M18 - AVH184H50AXXXAA	
24	AMA61776906 MOTOR MOUNT (M1, M2, M3, M4, M5, M6, M7, M8, M9, M10, M11, M12)	M19 - AVH243H10AXXXAA	
25	AMA61804901 SHROUD MED W/FD RESTRAINT (M1, M2, M3, M4, M5, M6, M7, M8, M9, M10, M11, M12)	M20 - AVH243H25AXXXAA	
26	AMA60542004 FAN PLASTIC 14.5" TA1004 (M1, M2, M3, M4, M5, M6, M7, M8, M9, M10, M11, M12)	M21 - AVH243H35AXXXAA	
27	AMA61773324 SWITCH CIRCUIT BRKR 20A 230V (M1, M2, M3, M4, M5, M6, M7, M8, M9, M10, M11, M12)	M22 - AVH243H50AXXXAA	
		M23 - AVH243H75AXXXAA	
		M24 - AVH244H10AXXXAA	
		M25 - AVH244H25AXXXAA	
		M26 - AVH244H35AXXXAA	
		M27 - AVH244H50AXXXAA	
		M28 - AVH244H75AXXXAA	

AVH09* & AVH12*
REFRIGERATION ASSEMBLY



**Ref. Part
No: No:**

Description:

**Ref. Part
No: No:**

Description:

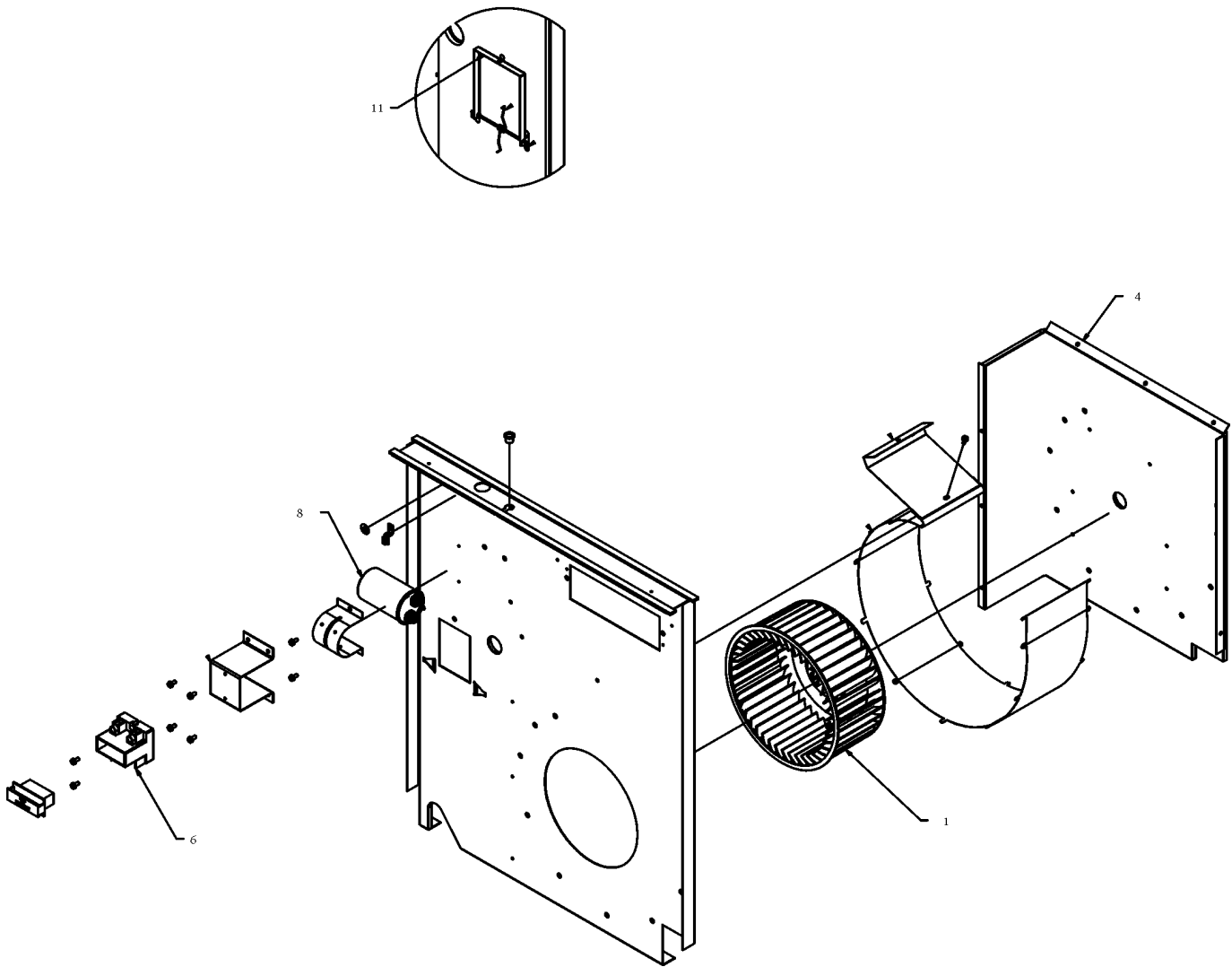
Image 1:

1	AMA80048057	CONDENSER COIL COIL VCS.375 (M1, M2, M3, M4, M5, M6)
1	AMA80101265	CONDENSER COIL VCS .250 (M7, M8, M9, M10, M11, M12)
3	AMA80044909	ASSY TUBE CHECK VALVE (M1, M2, M3, M4, M5, M6)
3	AMA80042925	ASSY TUBE CHECK VALVE VHA12K (M7, M8, M9, M10, M11, M12)
4	AMA61834800	STRAINER .312 COIL (M1, M2, M3, M4, M5, M6, M7, M8, M9, M10, M11, M12)
5	AMA80044903	ASSY TUBE CHECK VALVE TO EVAP (M1, M2, M3, M4, M5, M6)
5	AMA80042954	ASSY TUBE EVAP TO CHECK VALVE (M7, M8, M9, M10, M11, M12)
6	AMA80041761	EVAPORATOR COIL VES.312 13H5 (M1, M2, M3, M4, M5, M6, M7, M8, M9, M10, M11, M12)
7	AMA91400402	STUD COMPR MTG (M1, M2, M3, M4, M5, M6, M7, M8, M9, M10, M11, M12)
8	AMA61028904	GROMMET COMP LOW DENSITY (M1, M2, M3, M4, M5, M6, M7, M8, M9, M10, M11, M12)
9	AMA61717190	KIT COMPR REPLACMNT 62200509 (M7, M8, M9, M10, M11, M12)
9	AMA61718146	KIT COMPR REPLMT 62200507 (M1, M2, M3, M4, M5, M6)
10	AMA25063605	COIL SOLENOID 208/230VAC DUNAN (M1, M2, M3, M4, M5, M6, M7, M8, M9, M10, M11, M12)
11	AMA80043213	ASSY TUBE REV VALVE VHA12K (M7, M8, M9, M10, M11, M12)
11	AMA80043209	ASSY VALVE REVERSING (M1, M2, M3, M4, M5, M6)
12	AMA61834800	STRAINER .312 COIL (M1, M2, M3, M4, M5, M6, M7, M8, M9, M10, M11, M12)
13	AMA60179904	CONDENSATE DRAIN VALVE (M1, M2, M3, M4, M5, M6, M7, M8, M9, M10, M11, M12)
14	AMA80042938	TUBE SUMP VPAK 09-12K (M1, M2, M3, M4, M5, M6, M7, M8, M9, M10, M11, M12)

Expanded Model Nomenclature

M1 - AVH093H25AXXXAA
M2 - AVH093H35AXXXAA
M3 - AVH093H50AXXXAA
M4 - AVH094H25AXXXAA
M5 - AVH094H35AXXXAA
M6 - AVH094H50AXXXAA
M7 - AVH123H25AXXXAA
M8 - AVH123H35AXXXAA
M9 - AVH123H50AXXXAA
M10 - AVH124H25AXXXAA
M11 - AVH124H35AXXXAA
M12 - AVH124H50AXXXAA
M13 - AVH183H25AXXXAA
M14 - AVH183H35AXXXAA
M15 - AVH183H50AXXXAA
M16 - AVH184H25AXXXAA
M17 - AVH184H35AXXXAA
M18 - AVH184H50AXXXAA
M19 - AVH243H10AXXXAA
M20 - AVH243H25AXXXAA
M21 - AVH243H35AXXXAA
M22 - AVH243H50AXXXAA
M23 - AVH243H75AXXXAA
M24 - AVH244H10AXXXAA
M25 - AVH244H25AXXXAA
M26 - AVH244H35AXXXAA
M27 - AVH244H50AXXXAA
M28 - AVH244H75AXXXAA

AVH09* & AVH12*



Ref. Part No:	Part No:	Description:	Ref. Part No:	Part No:	Description:
---------------	----------	--------------	---------------	----------	--------------

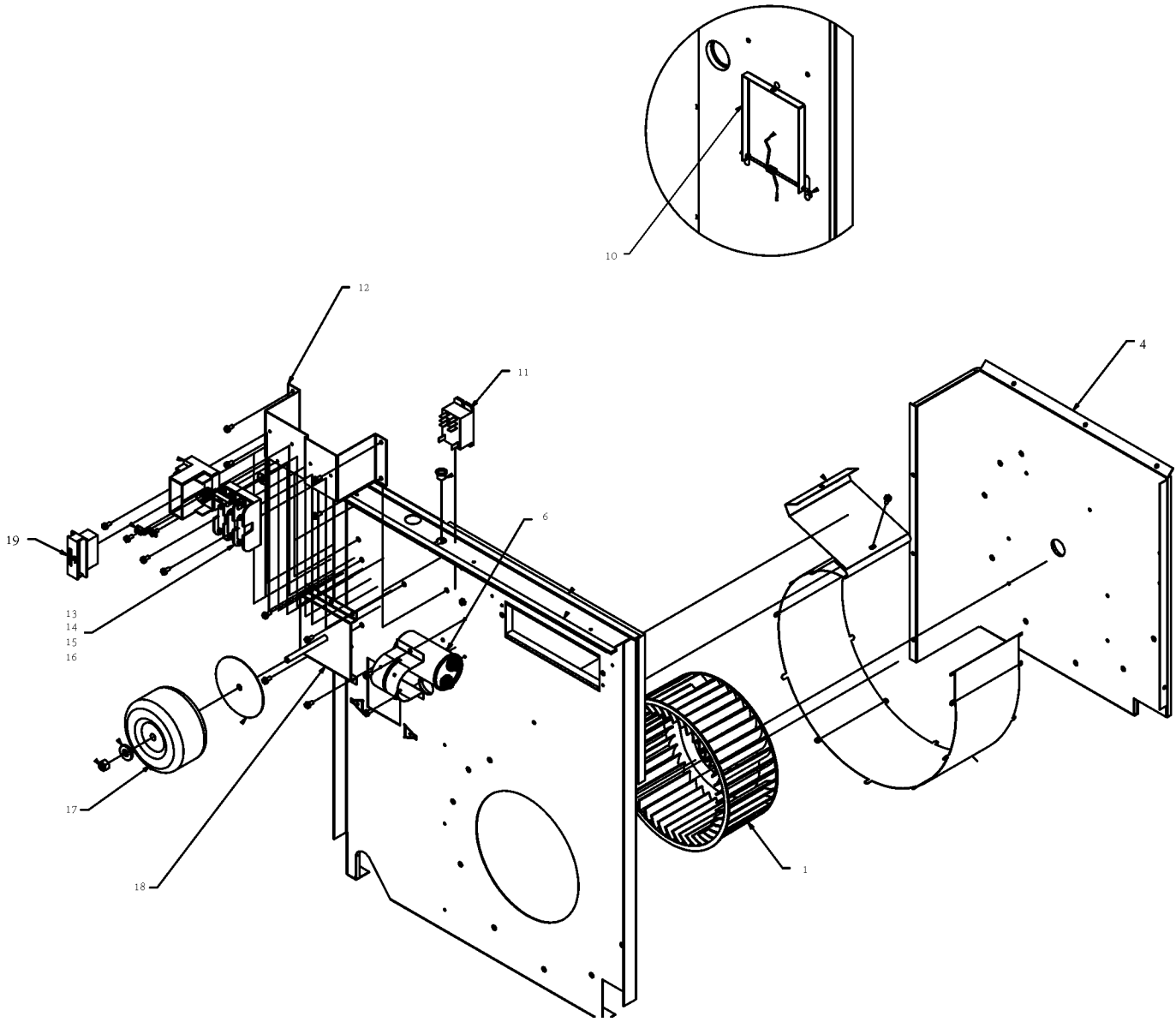
Image 1:

1	AMA60610616	WHEEL BLOWER TA0755 (M1, M2, M3, M4, M5, M6, M7, M8, M9, M10, M11, M12)
4	AMA80019002	ASSY INSUL INNERWALL BLOWER 144mm (M1, M2, M3, M4, M5, M6, M7, M8, M9, M10, M11, M12)
6	AMA80007600	NONFUSED DISCONNECT (M1, M2, M3, M4, M5, M6, M7, M8, M9, M10, M11, M12)
8	AMA61080702	CAPCTR 25 MF 450V 2.0 (M1, M2, M3, M4, M5, M6, M7, M8, M9, M10, M11, M12)
11	AMA61610300	EXHAUST AIR DOOR (M1, M2, M3, M4, M5, M6, M7, M8, M9, M10, M11, M12)
16	AMA61814800	CONNECTOR FRESH AIR S/M (M1, M2, M3, M4, M5, M6, M7, M8, M9, M10, M11, M12)
17	AMA61764607	OLP B180-140B-241C 60343539 (M1, M2, M3, M4, M5, M6, M7, M8, M9, M10, M11, M12)
18	AMA62600203	SENSOR ID RIA TEMPERATURE(WHITE) (M1, M2, M3, M4, M5, M6, M7, M8, M9, M10, M11, M12)
19	AMA62600205	SENSOR ID COIL TEMPERATURE (GREEN) (M1, M2, M3, M4, M5, M6, M7, M8, M9, M10, M11, M12)

Expanded Model Nomenclature

M1 - AVH093H25A XXXAA
M2 - AVH093H35A XXXAA
M3 - AVH093H50A XXXAA
M4 - AVH094H25A XXXAA
M5 - AVH094H35A XXXAA
M6 - AVH094H50A XXXAA
M7 - AVH123H25A XXXAA
M8 - AVH123H35A XXXAA
M9 - AVH123H50A XXXAA
M10 - AVH124H25A XXXAA
M11 - AVH124H35A XXXAA
M12 - AVH124H50A XXXAA
M13 - AVH183H25A XXXAA
M14 - AVH183H35A XXXAA
M15 - AVH183H50A XXXAA
M16 - AVH184H25A XXXAA
M17 - AVH184H35A XXXAA
M18 - AVH184H50A XXXAA
M19 - AVH243H10A XXXAA
M20 - AVH243H25A XXXAA
M21 - AVH243H35A XXXAA
M22 - AVH243H50A XXXAA
M23 - AVH243H75A XXXAA
M24 - AVH244H10A XXXAA
M25 - AVH244H25A XXXAA
M26 - AVH244H35A XXXAA
M27 - AVH244H50A XXXAA
M28 - AVH244H75A XXXAA

AVH09* & AVH12*



**Ref. Part
No: No:**

Description:

**Ref. Part
No: No:**

Description:

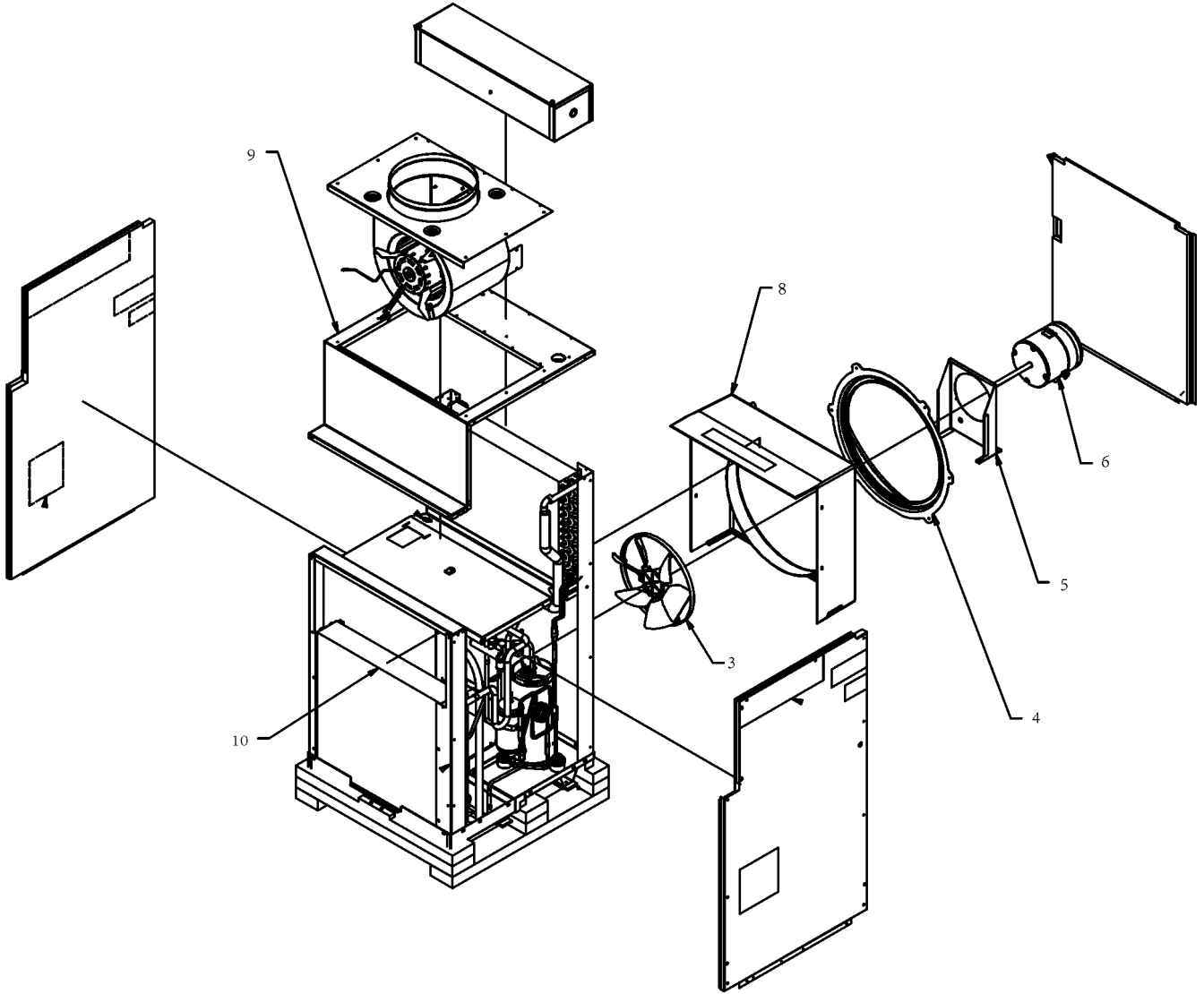
Image 1:

1	AMA60610616	WHEEL BLOWER TA0755 (M1, M2, M3, M4, M5, M6, M7, M8, M9, M10, M11, M12)
4	AMA80019002	ASSY INSUL INNERWALL BLOWER 144mm (M1, M2, M3, M4, M5, M6, M7, M8, M9, M10, M11, M12)
7	AMA61080702	CAPCTR 25 MF 450V 2.0 (M1, M2, M3, M4, M5, M6, M7, M8, M9, M10, M11, M12)
10	AMA61610300	EXHAUST AIR DOOR (M1, M2, M3, M4, M5, M6, M7, M8, M9, M10, M11, M12)
11	AMA61643311	RELAY 230V COIL DPDT 30A 208/240VAC (M4, M5, M6, M10, M11, M12)
13	AMA61776111	FUSE BLOCK 3 POLES 30 AMP (M4, M5, M6, M10, M11, M12)
14	AMA21058443	FUSE HOLDER 20A HPF 13/32 X 1-1/2 (M4, M5, M6)
15	AMA61773319	FUSE 600V 15A CC TD (M4, M5, M6)
16	AMA61773317	FUSE 600V 20A CC TD (M4, M5, M6)
17	AMA61670803	TRANSFORMER IN 265V OUT 235V (M4, M5, M6, M10, M11, M12)
19	AMA80007600	NONFUSED DISCONNECT (M1, M2, M3, M4, M5, M6, M7, M8, M9, M10, M11, M12)
74	AMA61814800	CONNECTOR FRESH AIR S/M (M1, M2, M3, M4, M5, M6, M7, M8, M9, M10, M11, M12)
75	AMA61764607	OLP B180-140B-241C 60343539 (M1, M2, M3, M4, M5, M6, M7, M8, M9, M10, M11, M12)
76	AMA62600203	SENSOR ID RIA TEMPERATURE(WHITE) (M1, M2, M3, M4, M5, M6, M7, M8, M9, M10, M11, M12)
77	AMA62600205	SENSOR ID COIL TEMPERATURE (GREEN) (M1, M2, M3, M4, M5, M6, M7, M8, M9, M10, M11, M12)
78	AMA62600206	SENSOR OD COIL TEMPERATURE (BLUE) (M1, M2, M3, M4, M5, M6, M7, M8, M9, M10, M11, M12)

Expanded Model Nomenclature

M1 - AVH093H25A XXXAA
M2 - AVH093H35A XXXAA
M3 - AVH093H50A XXXAA
M4 - AVH094H25A XXXAA
M5 - AVH094H35A XXXAA
M6 - AVH094H50A XXXAA
M7 - AVH123H25A XXXAA
M8 - AVH123H35A XXXAA
M9 - AVH123H50A XXXAA
M10 - AVH124H25A XXXAA
M11 - AVH124H35A XXXAA
M12 - AVH124H50A XXXAA
M13 - AVH183H25A XXXAA
M14 - AVH183H35A XXXAA
M15 - AVH183H50A XXXAA
M16 - AVH184H25A XXXAA
M17 - AVH184H35A XXXAA
M18 - AVH184H50A XXXAA
M19 - AVH243H10A XXXAA
M20 - AVH243H25A XXXAA
M21 - AVH243H35A XXXAA
M22 - AVH243H50A XXXAA
M23 - AVH243H75A XXXAA
M24 - AVH244H10A XXXAA
M25 - AVH244H25A XXXAA
M26 - AVH244H35A XXXAA
M27 - AVH244H50A XXXAA
M28 - AVH244H75A XXXAA

AVH18* & AVH24*
UNIT ASSEMBLY



**Ref. Part
No: No:**

Description:

**Ref. Part
No: No:**

Description:

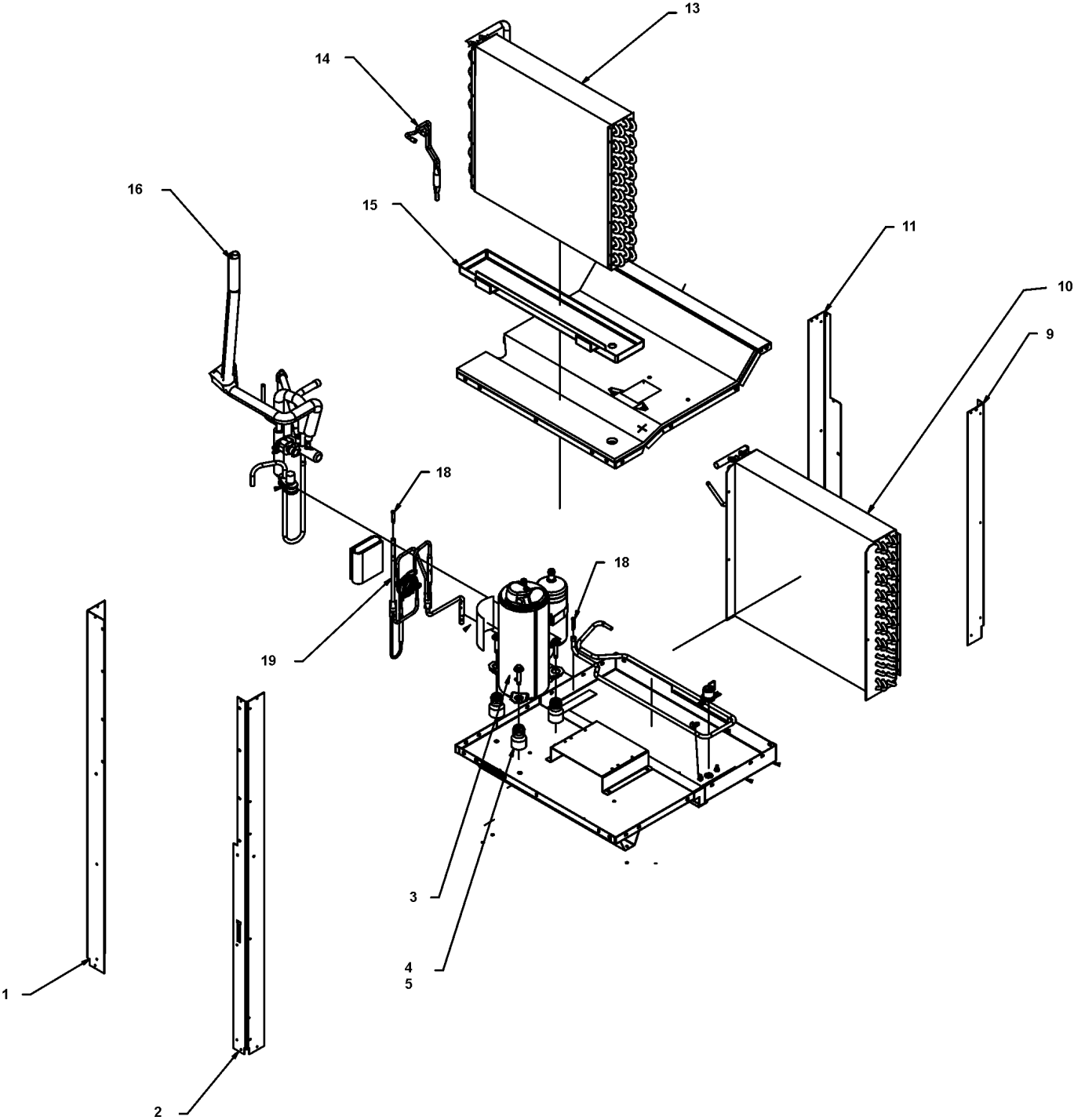
Image 1:

3	AMA60542007	FAN PLASTIC 16" LRG; VPAC (M13, M14, M15, M16, M17, M18, M19, M20, M21, M22, M23, M24, M25, M26, M27, M28)
4	AMA80101011	SHROUD RING WATER TRAP (M13, M14, M15, M16, M17, M18, M19, M20, M21, M22, M23, M24, M25, M26, M27, M28)
5	AMA61776907	BRACKET MOTOR MOUNT VPAK LARGE (M19, M20, M21, M22, M23, M24, M25, M26, M27, M28)
5	AMA25014400	MOTOR MOUNT (M13, M14, M15, M16, M17, M18)
6	AMA80102172	MTR 1/4 10P CCW FAN BLCDNAN-FENG (M13, M14, M15, M16, M17, M18)
6	AMA80102173	MTR 1/4 6P CCW FAN BLCDNAN-FENG S-1250 VHA24 (M19, M20, M21, M22, M23, M24, M25, M26, M27, M28)
8	AMA80114102	SHROUD, VPAK LARGE FOR RING (M13, M14, M15, M16, M17, M18, M19, M20, M21, M22, M23, M24, M25, M26, M27, M28)
11	AMA61814801	CONNECTOR FRESH AIR LRG (M13, M14, M15, M16, M17, M18, M19, M20, M21, M22, M23, M24, M25, M26, M27, M28)
12	AMA61656200	CHANNEL EXHAUST DOOR (M13, M14, M15, M16, M17, M18, M19, M20, M21, M22, M23, M24, M25, M26, M27, M28)
13	AMA61656201	SLIDE EXHAUST DOOR (M13, M14, M15, M16, M17, M18, M19, M20, M21, M22, M23, M24, M25, M26, M27, M28)

Expanded Model Nomenclature

M1 - AVH093H25AXXXAA
M2 - AVH093H35AXXXAA
M3 - AVH093H50AXXXAA
M4 - AVH094H25AXXXAA
M5 - AVH094H35AXXXAA
M6 - AVH094H50AXXXAA
M7 - AVH123H25AXXXAA
M8 - AVH123H35AXXXAA
M9 - AVH123H50AXXXAA
M10 - AVH124H25AXXXAA
M11 - AVH124H35AXXXAA
M12 - AVH124H50AXXXAA
M13 - AVH183H25AXXXAA
M14 - AVH183H35AXXXAA
M15 - AVH183H50AXXXAA
M16 - AVH184H25AXXXAA
M17 - AVH184H35AXXXAA
M18 - AVH184H50AXXXAA
M19 - AVH243H10AXXXAA
M20 - AVH243H25AXXXAA
M21 - AVH243H35AXXXAA
M22 - AVH243H50AXXXAA
M23 - AVH243H75AXXXAA
M24 - AVH244H10AXXXAA
M25 - AVH244H25AXXXAA
M26 - AVH244H35AXXXAA
M27 - AVH244H50AXXXAA
M28 - AVH244H75AXXXAA

AVH18* & AVH24*
REFRIGERATION ASSEMBLY



**Ref. Part
No: No:**

Description:

**Ref. Part
No: No:**

Description:

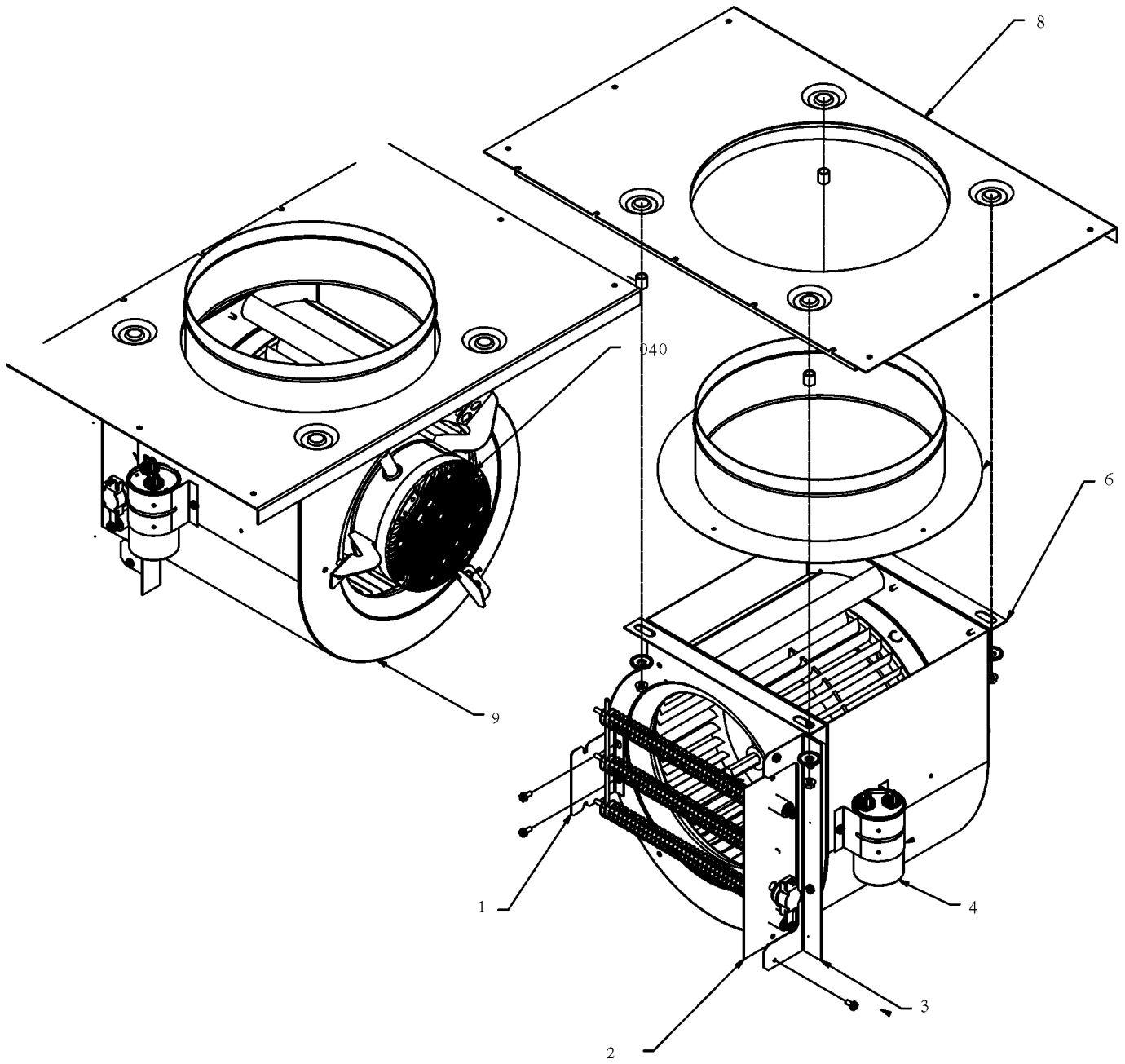
Image 1:

3	AMA61717191	KIT COMPR REPLACMNT62200512 (M19, M20, M21, M22, M23, M24, M25, M26, M27, M28)
3	AMA61718132	KIT COMPR REPLMT 62200316 (M13, M14, M15, M16, M17, M18)
4	AMA91400402	STUD COMPR MTG (M13, M14, M15, M16, M17, M18)
4	AMA91400403	STUD COMPR MTG (M19, M20, M21, M22, M23, M24, M25, M26, M27, M28)
5	AMA61028905	GROMMET COMP 3/8" X 60.5MM RAC (M19, M20, M21, M22, M23, M24, M25, M26, M27, M28)
5	AMA01150941	GROMMET COMP HI DENSITY (M13, M14, M15, M16, M17, M18)
10	AMA80101261	COIL, CONDENSOR VCS.312X4X14R C2V45A20X19H6 (M13, M14, M15, M16, M17, M18, M19, M20, M21, M22, M23, M24, M25, M26, M27, M28)
13	AMA62050004	COIL, EVAPORATOR LES.375X4X14RC 2V45A20X14H6 (M13, M14, M15, M16, M17, M18)
13	AMA62050007	COIL, EVAPORATOR VES.375X4X14R C2V45A20X18H6 (M19, M20, M21, M22, M23, M24, M25, M26, M27, M28)
14	AMA80042958	ASSY TUBE CHECK VALVE TO EVAP (M13, M14, M15, M16, M17, M18, M19, M20, M21, M22, M23, M24, M25, M26, M27, M28)
15	AMA80100301	EVAP DRAINPAN, VPAK LARGE (M13, M14, M15, M16, M17, M18, M19, M20, M21, M22, M23, M24, M25, M26, M27, M28)
16	AMA80109905	ASSY REVERSING VALVE (M19, M20, M21, M22, M23, M24, M25, M26, M27, M28)
16	AMA80109908	ASSY REVERSING VALVE (M13, M14, M15, M16, M17, M18)
17	AMA25063605	COIL SOLENOID 208/230VACDUNAN (M13, M14, M15, M16, M17, M18, M19, M20, M21, M22, M23, M24, M25, M26, M27, M28)
18	AMA61834800	STRAINER .312 COIL (M13, M14, M15, M16, M17, M18, M19, M20, M21, M22, M23, M24, M25, M26, M27, M28)
19	AMA80109323	ASSY TUBE CAPILLARY VHA24K (M19, M20, M21, M22, M23, M24, M25, M26, M27, M28)
19	AMA80109309	ASSY TUBE CHECK VALVE (M13, M14, M15, M16, M17, M18)

Expanded Model Nomenclature

M1 - AVH093H25AXXXAA
M2 - AVH093H35AXXXAA
M3 - AVH093H50AXXXAA
M4 - AVH094H25AXXXAA
M5 - AVH094H35AXXXAA
M6 - AVH094H50AXXXAA
M7 - AVH123H25AXXXAA
M8 - AVH123H35AXXXAA
M9 - AVH123H50AXXXAA
M10 - AVH124H25AXXXAA
M11 - AVH124H35AXXXAA
M12 - AVH124H50AXXXAA
M13 - AVH183H25AXXXAA
M14 - AVH183H35AXXXAA
M15 - AVH183H50AXXXAA
M16 - AVH184H25AXXXAA
M17 - AVH184H35AXXXAA
M18 - AVH184H50AXXXAA
M19 - AVH243H10AXXXAA
M20 - AVH243H25AXXXAA
M21 - AVH243H35AXXXAA
M22 - AVH243H50AXXXAA
M23 - AVH243H75AXXXAA
M24 - AVH244H10AXXXAA
M25 - AVH244H25AXXXAA
M26 - AVH244H35AXXXAA
M27 - AVH244H50AXXXAA
M28 - AVH244H75AXXXAA

AVH18*
BLOWER ASSEMBLY



Ref. Part No:	Part No:	Description:	Ref. Part No:	Part No:	Description:
---------------	----------	--------------	---------------	----------	--------------

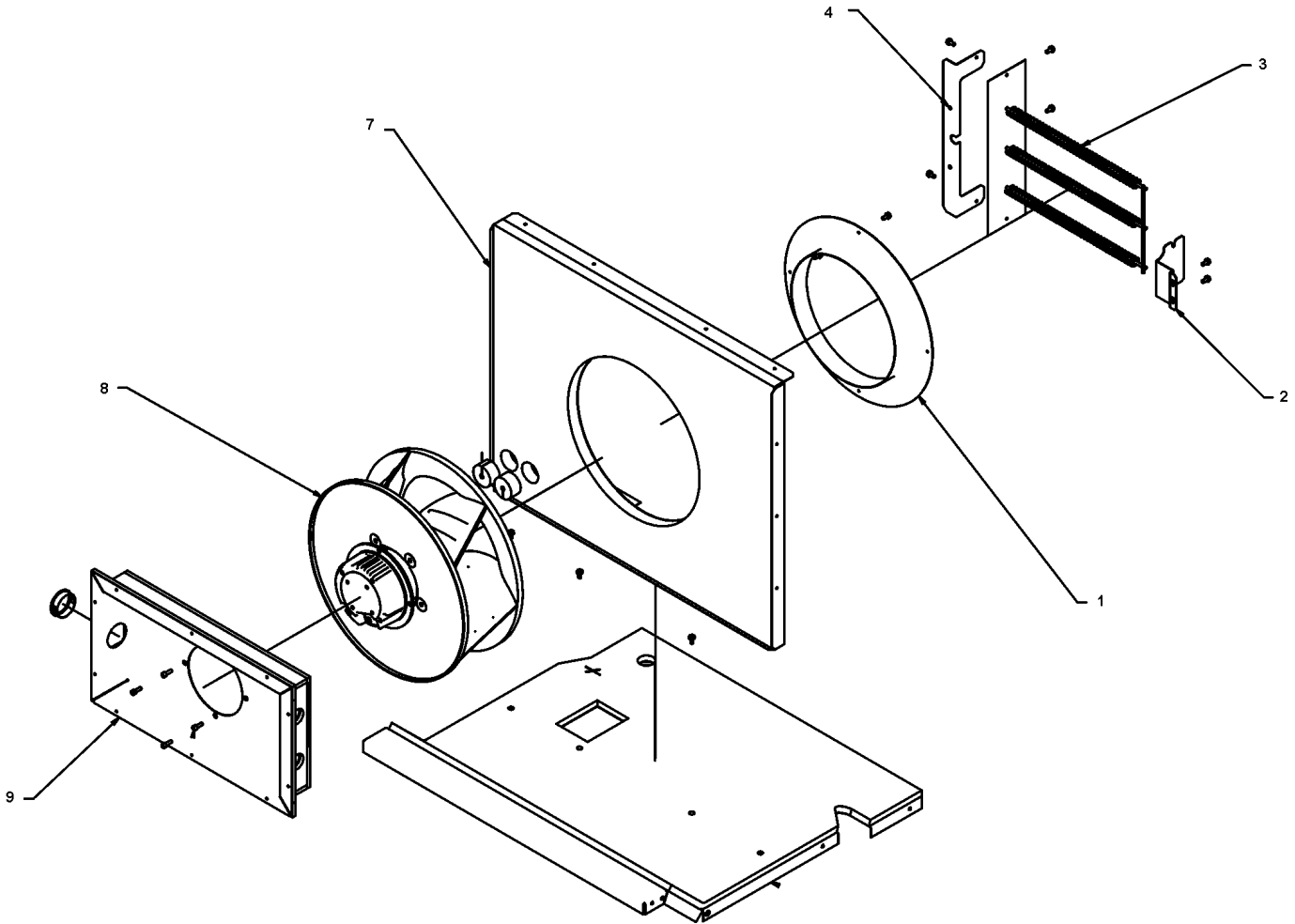
Image 1:

2	AMA80102295	HEATER VPAK-A NXT 2.5KW 265V (M13)
2	AMA80102297	HEATER VPAK-A NXT 5.0KW 265V (M15)
2	AMA80102290	HEATER VPAK-A24 NXT 2.5KW230V (M13)
2	AMA80102291	HEATER VPAK-A24 NXT 3.4KW230V (M14)
2	AMA80102292	HEATER VPAK-A24 NXT 5.0KW230V (M15)
4	AMA61080700	CAPCTR 35 MF 370V 2.0 (M13, M14, M15, M16, M17, M18)
9	AMA80103200	BLOWER HOUSING (M13, M14, M15, M16, M17, M18)
10	AMA80106973	MTR 1/4 4 10P CW 1 BLDC VPAK LRG (M13, M14, M15, M16, M17, M18)

Expanded Model Nomenclature

M1 - AVH093H25A XXXAA
M2 - AVH093H35A XXXAA
M3 - AVH093H50A XXXAA
M4 - AVH094H25A XXXAA
M5 - AVH094H35A XXXAA
M6 - AVH094H50A XXXAA
M7 - AVH123H25A XXXAA
M8 - AVH123H35A XXXAA
M9 - AVH123H50A XXXAA
M10 - AVH124H25A XXXAA
M11 - AVH124H35A XXXAA
M12 - AVH124H50A XXXAA
M13 - AVH183H25A XXXAA
M14 - AVH183H35A XXXAA
M15 - AVH183H50A XXXAA
M16 - AVH184H25A XXXAA
M17 - AVH184H35A XXXAA
M18 - AVH184H50A XXXAA
M19 - AVH243H10A XXXAA
M20 - AVH243H25A XXXAA
M21 - AVH243H35A XXXAA
M22 - AVH243H50A XXXAA
M23 - AVH243H75A XXXAA
M24 - AVH244H10A XXXAA
M25 - AVH244H25A XXXAA
M26 - AVH244H35A XXXAA
M27 - AVH244H50A XXXAA
M28 - AVH244H75A XXXAA

AVH24*
BLOWER ASSEMBLY



**Ref. Part
No: No:**

Description:

**Ref. Part
No: No:**

Description:

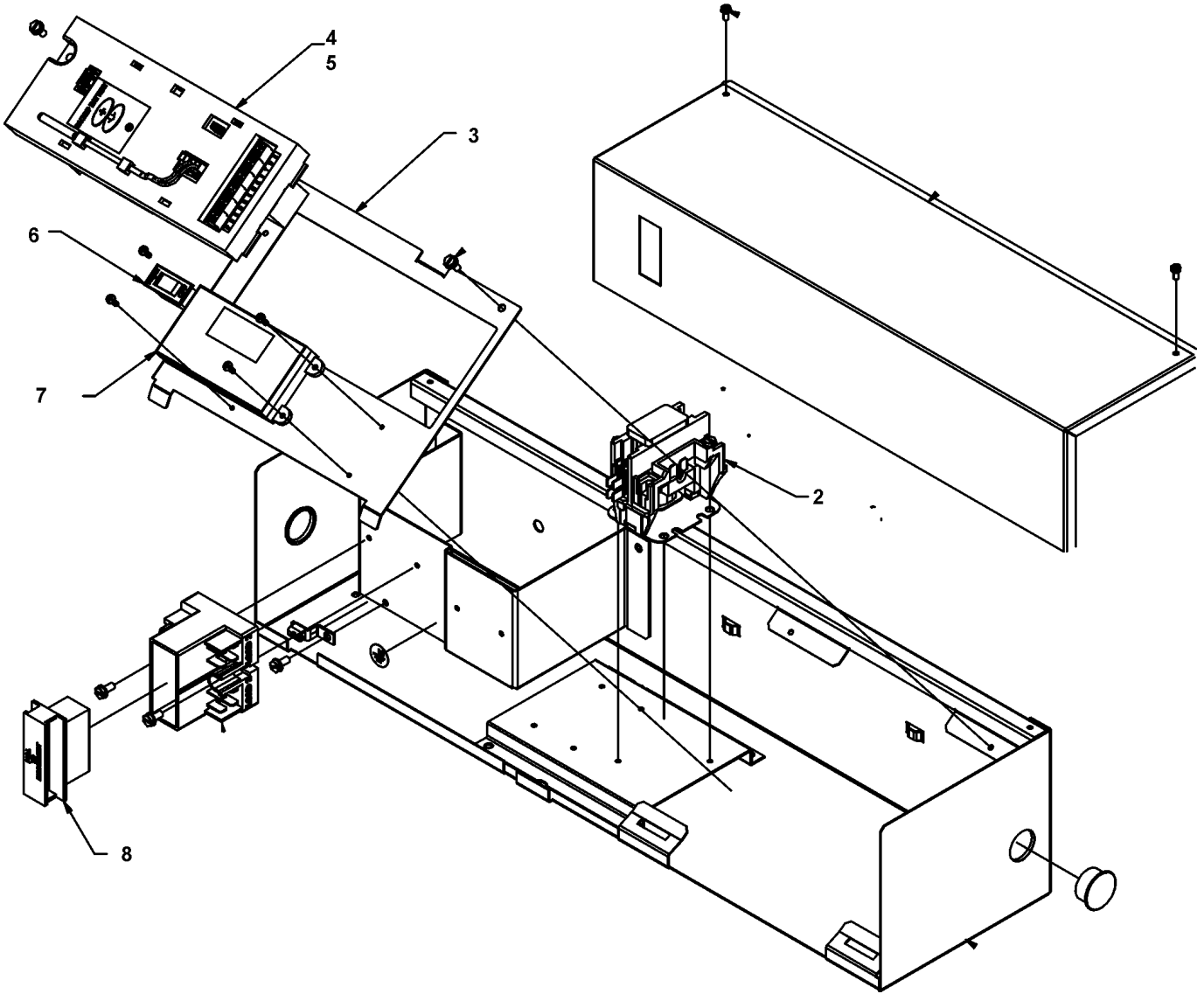
Image 1:

1	AMA80080171	IR-310 INLET RING EVAP BLOWER PSC DIA 12" (M19, M20, M21, M22, M23, M24, M25, M26, M27, M28)
3	AMA80102295	HEATER VPAK-A NXT 2.5KW 265V (M20)
3	AMA80102296	HEATER VPAK-A NXT 3.4KW 265V (M21)
3	AMA80102297	HEATER VPAK-A NXT 5.0KW 265V (M22)
3	AMA80102294	HEATER VPAK-A24 NXT 10.0KW 230V (M19)
3	AMA80102304	HEATER VPAK-A24 NXT 10.0KW265V (M19)
3	AMA80102290	HEATER VPAK-A24 NXT 2.5KW230V (M20)
3	AMA80102291	HEATER VPAK-A24 NXT 3.4KW230V (M21)
3	AMA80102292	HEATER VPAK-A24 NXT 5.0KW230V (M22)
3	AMA80102305	HEATER VPAK-A24 NXT 7.5KW230V (M23)
3	AMA80102303	HEATER VPAK-A24 NXT 7.5KW265V (M23)
7	AMA80081517	ASSY BLOWER FRONT BL-24 (M19, M20, M21, M22, M23, M24, M25, M26, M27, M28)
8	AMA80083150	BLOWER MOTOR 310X140 PI2E310140MB2M (M19, M20, M21, M22, M23, M24, M25, M26, M27, M28)
9	AMA80081024	ASSY INSUL BLOWER MOUNT VPAK24 (M19, M20, M21, M22, M23, M24, M25, M26, M27, M28)

Expanded Model Nomenclature

M1 - AVH093H25AXXXAA
M2 - AVH093H35AXXXAA
M3 - AVH093H50AXXXAA
M4 - AVH094H25AXXXAA
M5 - AVH094H35AXXXAA
M6 - AVH094H50AXXXAA
M7 - AVH123H25AXXXAA
M8 - AVH123H35AXXXAA
M9 - AVH123H50AXXXAA
M10 - AVH124H25AXXXAA
M11 - AVH124H35AXXXAA
M12 - AVH124H50AXXXAA
M13 - AVH183H25AXXXAA
M14 - AVH183H35AXXXAA
M15 - AVH183H50AXXXAA
M16 - AVH184H25AXXXAA
M17 - AVH184H35AXXXAA
M18 - AVH184H50AXXXAA
M19 - AVH243H10AXXXAA
M20 - AVH243H25AXXXAA
M21 - AVH243H35AXXXAA
M22 - AVH243H50AXXXAA
M23 - AVH243H75AXXXAA
M24 - AVH244H10AXXXAA
M25 - AVH244H25AXXXAA
M26 - AVH244H35AXXXAA
M27 - AVH244H50AXXXAA
M28 - AVH244H75AXXXAA

AVH183*
CONTROL BOX ASSEMBLY



Ref. Part No:	Part No:	Description:	Ref. Part No:	Part No:	Description:
---------------	----------	--------------	---------------	----------	--------------

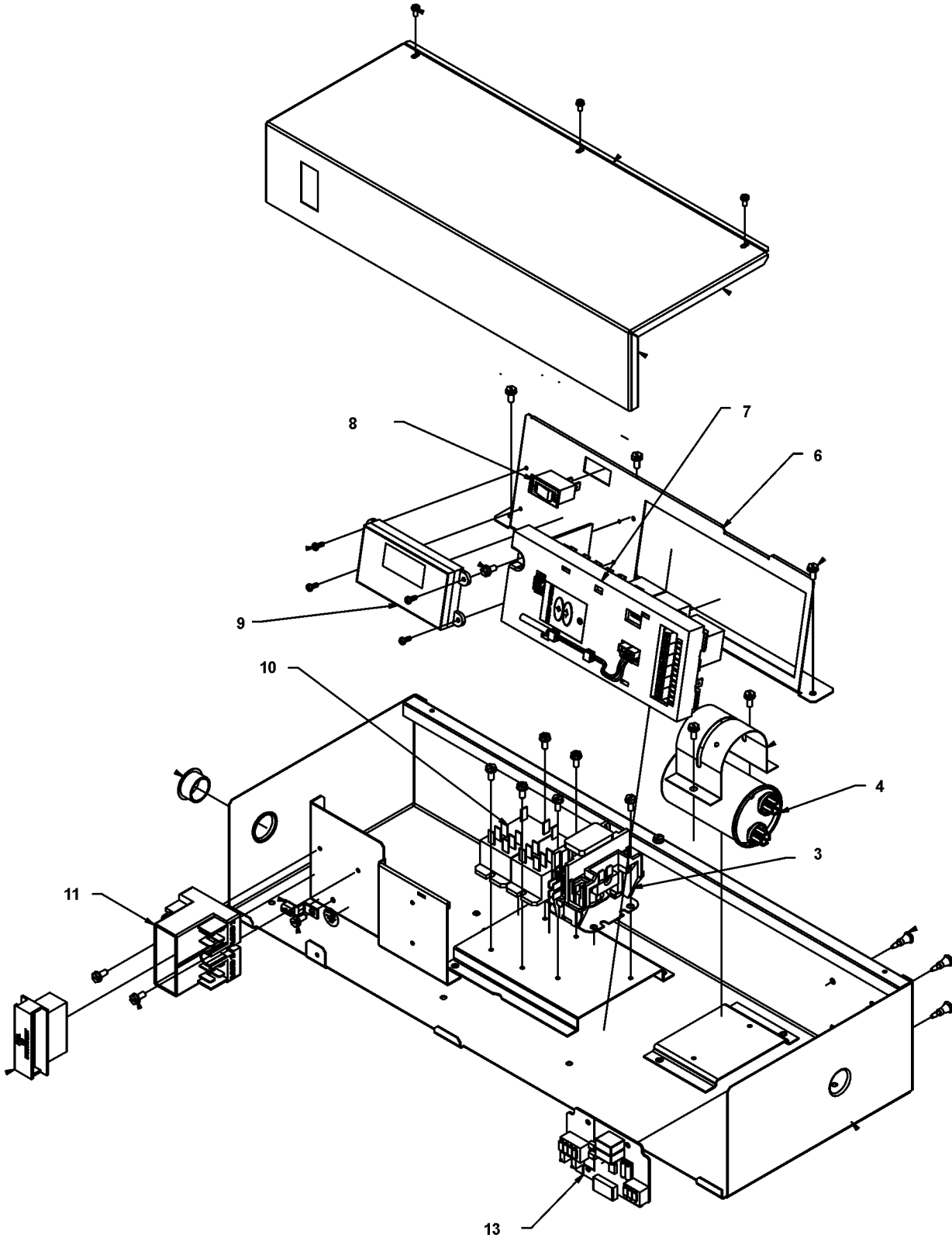
Image 1:

2	AMA80118601	CONTACTOR 240VAC HCL-1NU01AAC (M13, M14, M15)
3	AMA80116907	BRACKET ELECT CNTRL VPAK LARGE CIRC-BREAKER (M13, M14, M15)
4	AMA62601009	KIT E-CNTL SER V COOL HP VHA (M13, M14, M15)
5	AMA62600118	ASSY E-CNTRL COOL/EH AMPJMPR (M13, M14, M15)
6	AMA61773324	SWITCH CIRCUIT BRKR 20A 230V CITR220Q2NS (M13, M14, M15)
7	AMA62600601	DISPLAY SERVICE VPAC KUHL (M13, M14, M15)
8	AMA80007600	NONFUSED DISCONNECT (M13, M14, M15)
10	AMA62600203	SENSOR ID R/A TEMPERATURE (WHITE) (M13, M14, M15)
11	AMA62600205	SENSOR ID COIL TEMPERATURE (GREEN) (M13, M14, M15)
12	AMA62600206	SENSOR OD COIL TEMPERATURE (BLUE) (M13, M14, M15)

Expanded Model Nomenclature

M1 - AVH093H25A XXXAA
M2 - AVH093H35A XXXAA
M3 - AVH093H50A XXXAA
M4 - AVH094H25A XXXAA
M5 - AVH094H35A XXXAA
M6 - AVH094H50A XXXAA
M7 - AVH123H25A XXXAA
M8 - AVH123H35A XXXAA
M9 - AVH123H50A XXXAA
M10 - AVH124H25A XXXAA
M11 - AVH124H35A XXXAA
M12 - AVH124H50A XXXAA
M13 - AVH183H25A XXXAA
M14 - AVH183H35A XXXAA
M15 - AVH183H50A XXXAA
M16 - AVH184H25A XXXAA
M17 - AVH184H35A XXXAA
M18 - AVH184H50A XXXAA
M19 - AVH243H10A XXXAA
M20 - AVH243H25A XXXAA
M21 - AVH243H35A XXXAA
M22 - AVH243H50A XXXAA
M23 - AVH243H75A XXXAA
M24 - AVH244H10A XXXAA
M25 - AVH244H25A XXXAA
M26 - AVH244H35A XXXAA
M27 - AVH244H50A XXXAA
M28 - AVH244H75A XXXAA

AVH243*
CONTROL BOX ASSEMBLY



**Ref. Part
No: No:**

Description:

**Ref. Part
No: No:**

Description:

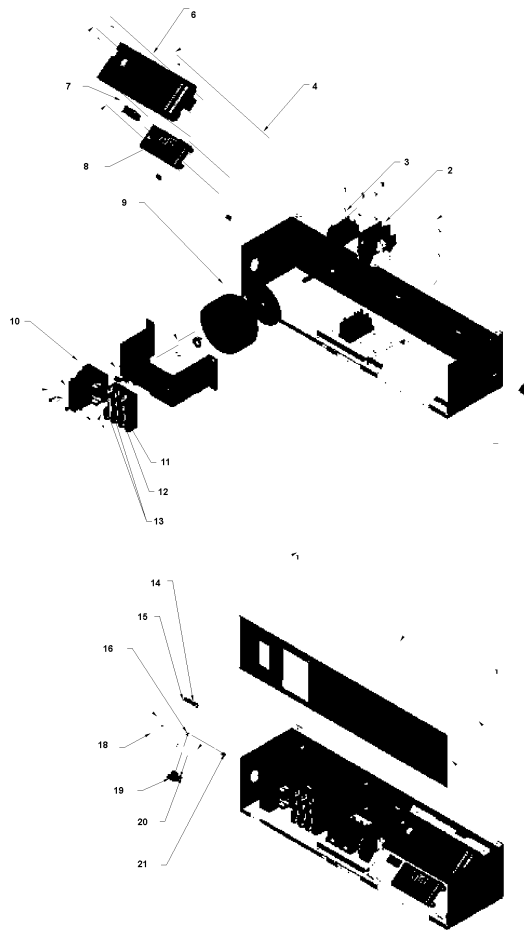
Image 1:

3	AMA80118601	CONTACTOR 240VAC HCL- 1NU01AAC (M19, M20, M21, M22, M23)
4	AMA61080703	CAPCTR 40 MF 450V 2.0" X 3.75" (M19, M20, M21, M22, M23)
6	AMA80032805	BRACKET E-CTRL VPAK 24 XL (M19, M20, M21, M22, M23)
7	AMA62601009	KIT E-CNTL SERV COOL HP VHA (M19, M20, M21, M22, M23)
8	AMA61773324	SWITCH CIRCUIT BRKR 20A 230V CITR220Q2NS (M19, M20, M21, M22, M23)
9	AMA62600601	DISPLAY SERVICE VPAC KUHL (M19, M20, M21, M22, M23)
10	AMA61643311	RELAY 230V COIL DPDT 30A 208/240VAC (M24, M28)
11	AMA80007600	NONFUSED DISCONNECT (M19, M20, M21, M22, M23)
13	AMA80106975	CONTROL BLOWER MTR PSC ESM14165 (M19, M20, M21, M22, M23)
14	AMA62600203	SENSOR ID R/A TEMPERATURE (WHITE) (M19, M20, M21, M22, M23)
15	AMA62600205	SENSOR ID COIL TEMPERATURE (GREEN) (M19, M20, M21, M22, M23)
16	AMA62600206	SENSOR OD COIL TEMPERATURE (BLUE) (M19, M20, M21, M22, M23)

Expanded Model Nomenclature

M1 - AVH093H25AXXXAA
M2 - AVH093H35AXXXAA
M3 - AVH093H50AXXXAA
M4 - AVH094H25AXXXAA
M5 - AVH094H35AXXXAA
M6 - AVH094H50AXXXAA
M7 - AVH123H25AXXXAA
M8 - AVH123H35AXXXAA
M9 - AVH123H50AXXXAA
M10 - AVH124H25AXXXAA
M11 - AVH124H35AXXXAA
M12 - AVH124H50AXXXAA
M13 - AVH183H25AXXXAA
M14 - AVH183H35AXXXAA
M15 - AVH183H50AXXXAA
M16 - AVH184H25AXXXAA
M17 - AVH184H35AXXXAA
M18 - AVH184H50AXXXAA
M19 - AVH243H10AXXXAA
M20 - AVH243H25AXXXAA
M21 - AVH243H35AXXXAA
M22 - AVH243H50AXXXAA
M23 - AVH243H75AXXXAA
M24 - AVH244H10AXXXAA
M25 - AVH244H25AXXXAA
M26 - AVH244H35AXXXAA
M27 - AVH244H50AXXXAA
M28 - AVH244H75AXXXAA

AVH184*
CONTROL BOX ASSEMBLY



Ref. Part
No: No: Description:

Ref. Part
No: No: Description:

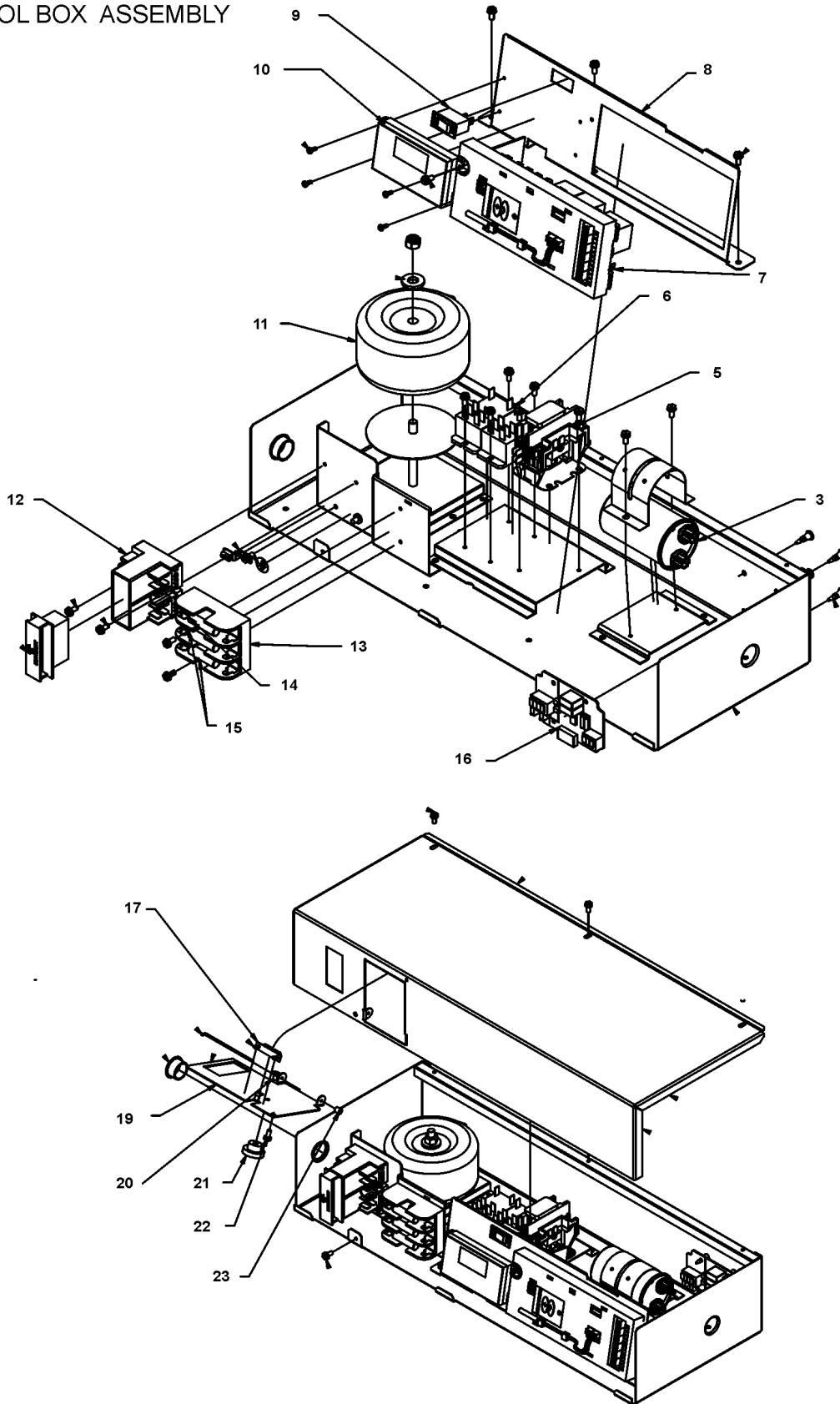
Image 1:

2	AMA80118601	CONTACTOR 240VAC HCL1NU01AAC (M16, M17, M18)
3	AMA61643311	RELAY 230V COIL DPDT 30A 208/240VAC (M16, M17, M18)
4	AMA80032805	BRACKET E-CTRL VPAK 24 XL (M16, M17, M18)
5	AMA62601009	KIT E-CNTL SERV COOL HP VHA (M16, M17, M18)
6	AMA62600118	ASSY E-CNTRL COOL/EH AMPJMPR (M16, M17, M18)
7	AMA61773324	SWITCH CIRCUIT BRKR 20A 230V CITR220Q2NS (M16, M17, M18)
8	AMA62600601	DISPLAY SERVICE VPAC KUHL (M16, M17, M18)
9	AMA61670803	TRANSFORMER IN 265V OUT235V (M16, M17, M18)
10	AMA80007600	NONFUSED DISCONNECT (M16, M17, M18)
11	AMA61776111	FUSE BLOCK 3 POLES 30 AMP (M16, M17, M18)
12	AMA61773317	FUSE 600V 20A CC TD (M16, M17, M18)
13	AMA61773319	FUSE 600V 15A CC TD (M16, M17, M18)
18	AMA80015707	COVER CONTROL BOX DOOR (M16, M17, M18)
19	AMA80086100	KNOB KNURLED (M16, M17, M18)
23	AMA62600203	SENSOR ID R/A TEMPERATURE (WHITE) (M16, M17, M18)
24	AMA62600205	SENSOR ID COIL TEMPERATURE (GREEN) (M16, M17, M18)
25	AMA62600206	SENSOR OD COIL TEMPERATURE (BLUE) (M16, M17, M18)

Expanded Model Nomenclature

M1 - AVH093H25AXXXAA
M2 - AVH093H35AXXXAA
M3 - AVH093H50AXXXAA
M4 - AVH094H25AXXXAA
M5 - AVH094H35AXXXAA
M6 - AVH094H50AXXXAA
M7 - AVH123H25AXXXAA
M8 - AVH123H35AXXXAA
M9 - AVH123H50AXXXAA
M10 - AVH124H25AXXXAA
M11 - AVH124H35AXXXAA
M12 - AVH124H50AXXXAA
M13 - AVH183H25AXXXAA
M14 - AVH183H35AXXXAA
M15 - AVH183H50AXXXAA
M16 - AVH184H25AXXXAA
M17 - AVH184H35AXXXAA
M18 - AVH184H50AXXXAA
M19 - AVH243H10AXXXAA
M20 - AVH243H25AXXXAA
M21 - AVH243H35AXXXAA
M22 - AVH243H50AXXXAA
M23 - AVH243H75AXXXAA
M24 - AVH244H10AXXXAA
M25 - AVH244H25AXXXAA
M26 - AVH244H35AXXXAA
M27 - AVH244H50AXXXAA
M28 - AVH244H75AXXXAA

AVH244*
CONTROL BOX ASSEMBLY



**Ref. Part
No: No:**

Description:

**Ref. Part
No: No:**

Description:

Image 1:

3	AMA61080703	CAPCTR 40 MF 450V 2.0" X 3.75" (M24, M25, M26, M27, M28)
5	AMA80118601	CONTACTOR 240VAC HCL1NU01AAC (M24, M25, M26, M27, M28)
6	AMA61643311	RELAY 230V COIL DPDT 30A 208/240VAC (M24, M25, M26, M27, M28)
7	AMA62601009	KIT E-CNTL SERV COOL HP VHA (M24, M25, M26, M27, M28)
8	AMA80032805	BRACKET E-CTRL VPAK 24 XL (M24, M25, M26, M27, M28)
9	AMA61773324	SWITCH CIRCUIT BRKR 20A 230V CITR220Q2NS (M24, M25, M26, M27, M28)
10	AMA62600601	DISPLAY SERVICE VPAC KUHL (M24, M25, M26, M27, M28)
11	AMA61670803	TRANSFORMER IN 265V OUT235V (M24, M25, M26, M27, M28)
12	AMA80007600	NONFUSED DISCONNECT (M24, M25, M26, M27, M28)
13	AMA61776111	FUSE BLOCK 3 POLES 30 AMP (M24, M25, M26, M27, M28)
14	AMA61773317	FUSE 600V 20A CC TD (M24, M25, M26, M27, M28)
15	AMA61773319	FUSE 600V 15A CC TD (M24, M25, M26, M27, M28)
16	AMA80106975	CONTROL BLOWER MTR PSC ESM14165 (M24, M25, M26, M27, M28)
19	AMA80015707	COVER CONTROL BOX DOOR (M24, M25, M26, M27, M28)
21	AMA80086100	KNOB KNURLED (M24, M25, M26, M27, M28)
26	AMA62600203	SENSOR ID R/A TEMPERATURE (WHITE) (M24, M25, M26, M27, M28)
27	AMA62600205	SENSOR ID COIL TEMPERATURE (GREEN) (M24, M25, M26, M27, M28)
28	AMA62600206	SENSOR OD COIL TEMPERATURE (BLUE) (M24, M25, M26, M27, M28)

Expanded Model Nomenclature

M1 - AVH093H25AXXXAA
M2 - AVH093H35AXXXAA
M3 - AVH093H50AXXXAA
M4 - AVH094H25AXXXAA
M5 - AVH094H35AXXXAA
M6 - AVH094H50AXXXAA
M7 - AVH123H25AXXXAA
M8 - AVH123H35AXXXAA
M9 - AVH123H50AXXXAA
M10 - AVH124H25AXXXAA
M11 - AVH124H35AXXXAA
M12 - AVH124H50AXXXAA
M13 - AVH183H25AXXXAA
M14 - AVH183H35AXXXAA
M15 - AVH183H50AXXXAA
M16 - AVH184H25AXXXAA
M17 - AVH184H35AXXXAA
M18 - AVH184H50AXXXAA
M19 - AVH243H10AXXXAA
M20 - AVH243H25AXXXAA
M21 - AVH243H35AXXXAA
M22 - AVH243H50AXXXAA
M23 - AVH243H75AXXXAA
M24 - AVH244H10AXXXAA
M25 - AVH244H25AXXXAA
M26 - AVH244H35AXXXAA
M27 - AVH244H50AXXXAA
M28 - AVH244H75AXXXAA