



REPAIR PARTS

AV SERIES Air Handler w/Coils

AV18-30-05
AV18-30-08
AV18-30-10
AV18-30-15
AV36-60-06
AV36-60-10
AV36-60-15
AV36-60-20

This manual is to be used by qualified technicians only.

© 2009 Goodman Manufacturing Company, L.P. ♦ 5151 San Felipe, Suite 500 ♦ Houston, TX 77056

Important Information

Index

Functional Parts List	3
Illustration and Parts	4 - 5

Views shown are for parts illustrations only, not servicing procedures.

Text Codes:

AR - As Required

NA - Not Available

NS - Not Shown

00000000 - See Note

QTY - Quantity Example (QTY 3) (If Quantity not shown, Quantity = 1)

M - Model Example (M1) (If M Code not shown, then part is used on all Models)

Expanded Model Nomenclature:

Example M1 - Model#1 M2 - Model#2 M3 - Model#3

Goodman Manufacturing Company, L.P. is not responsible for personal injury or property damage resulting from improper service. Review all service information before beginning repairs.

Warranty service must be performed by an authorized technician, using authorized factory parts. If service is required after the warranty expires, Goodman Manufacturing Company, L.P. also recommends contacting an authorized technician and using authorized factory parts.

Goodman Manufacturing Company, L.P. reserves the right to discontinue, or change at any time, specifications or designs without notice or without incurring obligations.

For assistance within the U.S.A. contact:
Consumer Affairs Department
Goodman Manufacturing Company, L.P.
7401 Security Way
Houston, Texas 77040
877-254-4729-Telephone
713-863-2382-Facsimile

For assistance outside the U.S.A. contact:
International Division
Goodman Manufacturing Company, L.P.
7401 Security Way
Houston, Texas 77040
713-861-2500-Telephone
713-863-2382-Facsimile

Functional Parts

Part

No: Description:

CBK2PD240VA030S	CIRCUIT BREAKER 30 AMP (GE) (M1, M4, M7)
CBK2PD240VA060S	CIRCUIT BREAKER 60 AMP (GE) (M2, M3, M4, M5, M6, M7)
CBK2PD240VA060S	CIRCUIT BREAKER 60 AMP (GE) [QTY 2] (M8)
B1370115	LIMIT CONTROL OPEN 150°, CLOSE 105° (QTY AR)
B13400702ABS	MOTOR, VARIABLE SPEED 1/2 HP (M1, M2, M3, M4)
B13400704ABS	MOTOR, VARIABLE SPEED 3/4 HP (M5, M6, M7, M8)
B1368259	TERMINAL BOARD (LOW VOLTAGE)
B1141643	TRANSFORMER 208/230, 24V

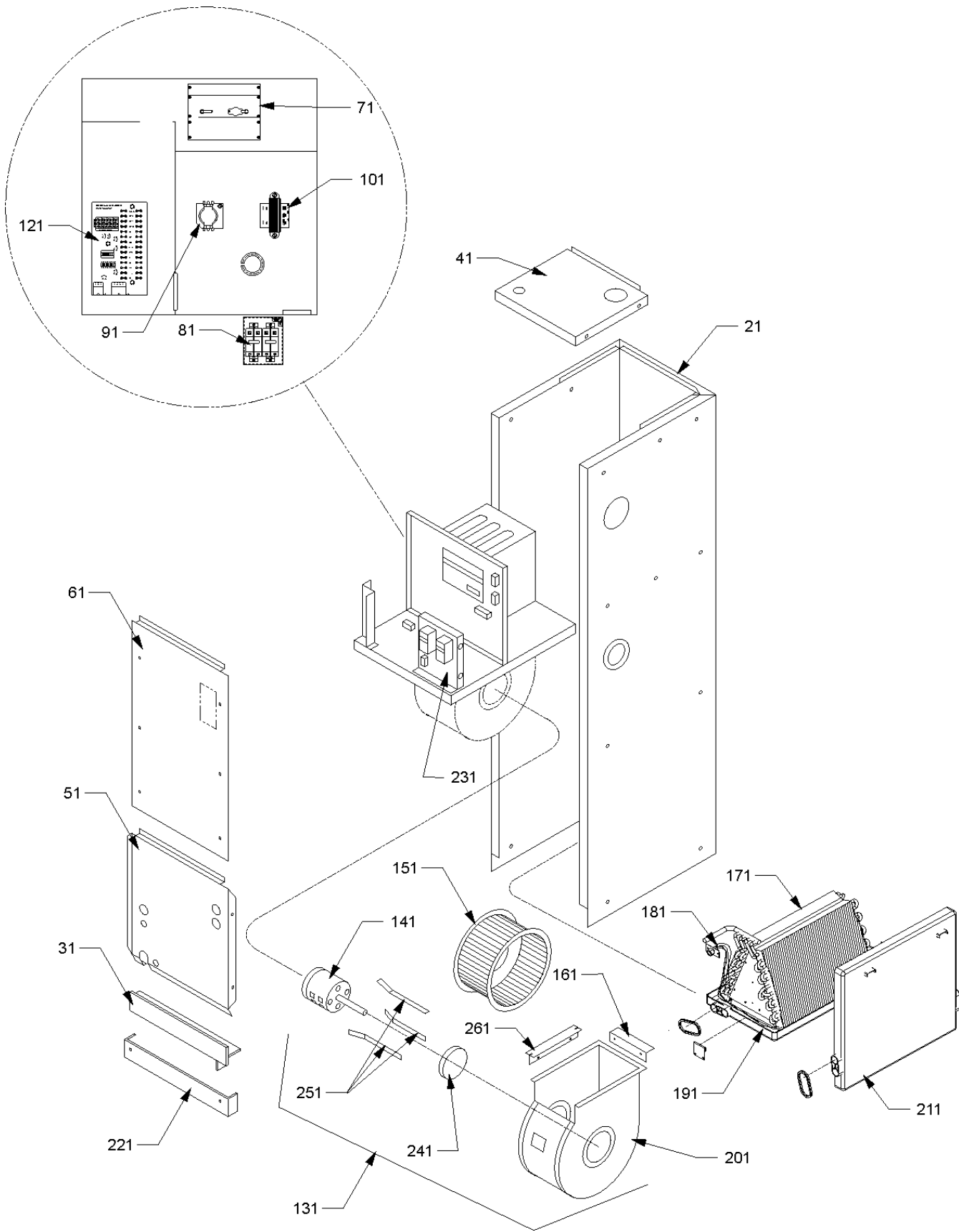
SPECIAL PARTS

RP-172A REPAIR PARTS MANUAL

Expanded Model Nomenclature

M1 - AV18-30-05
M2 - AV18-30-08
M3 - AV18-30-10
M4 - AV18-30-15
M5 - AV36-60-06
M6 - AV36-60-10
M7 - AV36-60-15
M8 - AV36-60-20

Replacement Parts Manual



Replacement Parts Manual

Ref. Part No:	No:	Description:	Ref. Part No:	No:	Description:
<i>Image 1:</i>			<i>Image 1:</i>		
21	1721117	WRAPPER (M5, M6, M7, M8)	181	B1313893	FLOWRATOR .093 (M5, M6, M7, M8)
21	1721116	WRAPPER [OBSOLETE] (M1, M2, M3, M4)	191	B1755917H	VERTICAL DRAIN PAN ASSY (M1, M2, M3, M4)
31	1721913	BOTTOM TIE CHANNEL [OBSOLETE] (M1, M2, M3, M4)	191	B1755920H	VERTICAL/DOWNFLOW DRAIN PAN ASSY (M5, M6, M7, M8)
31	1721914	BOTTOM TIE CHANNEL [OBSOLETE] (M5, M6, M7, M8)			Use this Plastic Drain Pan in place of 1526319 if air handler is a downflow application.
41	1721908	UPPER TIE PLATE (M1, M2, M3, M4)	201	1439393	BLOWER HOUSING ASSY (M5, M6, M7, M8)
41	1721909	UPPER TIE PLATE (M5, M6, M7, M8)	201	1439392S	BLOWER HOUSING ASSY 9 X 8 (M1, M2, M3, M4)
51	1722056P	LOWER ACCESS PANEL (M1, M2, M3, M4)	211	B1755930L	HORIZONTAL DRAIN PAN ASSY (M1, M2, M3, M4)
51	1722057P	LOWER ACCESS PANEL (M5, M6, M7, M8)	211	B1755931L	HORIZONTAL DRAIN PAN ASSY (M5, M6, M7, M8)
61	1722021P	UPPER ACCESS PANEL (M4)	221	1722041	FILTER COVER [OBSOLETE] (M1, M2, M3, M4)
61	1722021P	UPPER ACCESS PANEL (M5, M6)	221	1722042	FILTER COVER [OBSOLETE] (M5, M6, M7, M8)
61	1722038P	UPPER ACCESS PANEL (M7, M8)	231	1495206	CIRCUIT BREAKER PLATE
61	1722034	UPPER ACCESS PANEL [OBSOLETE] (M1, M2, M3)	241	B1376851	MOTOR MOUNT BAND
71	B1037488S	HEAT ELEMENT W/SWITCH 10 KW (M3, M6)	251	B1376861	MOTOR MOUNT ARM (QTY 3)
71	B1037489S	HEAT ELEMENT W/SWITCH 15 KW (M4, M7, M8)	261	0121A00027	BLOWER MOUNTING ANGLE (QTY 2)
71	B1037485S	HEAT ELEMENT W/SWITCH 5 KW (M1, M8)	Expanded Model Nomenclature		
71	B1037487S	HEAT ELEMENT W/SWITCH 8 KW (M2)	M1 - AV18-30-05		
71	B1037486S	HEATER ELEMENT 6.0 KW 230V* (M5)	M2 - AV18-30-08		
81	CBK2PD240VA030S	CIRCUIT BREAKER 30 AMP (GE) (M1, M4, M7)	M3 - AV18-30-10		
81	CBK2PD240VA060S	CIRCUIT BREAKER 60 AMP (GE) (M2, M3, M4, M5, M6, M7)	M4 - AV18-30-15		
81	CBK2PD240VA060S	CIRCUIT BREAKER 60 AMP (GE) [QTY 2] (M8)	M5 - AV36-60-06		
91	B1256553	SEQUENCER 12 -15 KW (M4, M7)	M6 - AV36-60-10		
91	B1256551	SEQUENCER 5 KW (M1)	M7 - AV36-60-15		
91	B1256552	SEQUENCER 8 - 10 KW (M2, M3, M5, M6)	M8 - AV36-60-20		
91	B1256554	SEQUENCER A48/60 20 KW (M8)	*DO NOT USE ON COOL ONLY (-00) MODELS.		
101	B1370115	LIMIT CONTROL OPEN 150°, CLOSE 105° (QTY AR)			
111	B1141643	TRANSFORMER 208/230, 24V			
121	B1368259	TERMINAL BOARD (LOW VOLTAGE)			
131	7682144S	SERVICE BLOWER ASSY (M1, M2, M3, M4)			
		Consists of motor, housing, wheel, motor bracket, capacitor, low and high voltage harnesses.			
131	7682145S	SERVICE BLOWER ASSY (M5, M6, M7, M8)			
		Consists of motor, housing, wheel, motor bracket, capacitor, low and high voltage harnesses.			
141	B13400702ABS	MOTOR, VARIABLE SPEED 1/2 HP (M1, M2, M3, M4)			
141	B13400704ABS	MOTOR, VARIABLE SPEED 3/4 HP (M5, M6, M7, M8)			
151	B1368048S	BLOWER WHEEL 10 X 10 (M5, M6, M7, M8)			
151	B1368037S	BLOWER WHEEL 9 X 8 (M1, M2, M3, M4)			
161	1717103	BLOWER MOUNTING ANGLE			
171	158541761BS	SERVICE COIL ASSY (M5, M6, M7, M8)			
171	158542724NS	SERVICE COIL ASSY (COMPLETE) (M1, M2, M3, M4)			
		0.093 piston size used for some 5 ton outdoor units. For other outdoor apps refer to the unit spec sheets.			
181	B1313674	FLOWRATOR .074 (M1, M2, M3, M4)			

