

ASZS6 Side Discharge Split System Heat Pump

ASZS601810AA
ASZS602410AA
ASZS603010AA
ASZS603610AA
ASZS604210AA
ASZS604810AA
ASZS606010AA



Amana® is a registered trademark of Maytag Corporation or its related companies and is used under license. All rights reserved.

This manual is to be used by qualified technicians only.

Important Information

Index

Functional Parts List	3
Illustration and Parts	4 - 13

Views shown are for parts illustrations only, not servicing procedures.

Text Codes:

AR - As Required

NA - Not Available

NS - Not Shown

00000000 - See Note

QTY - Quantity Example (QTY 3) (If Quantity not shown, Quantity = 1)

M - Model Example (M1) (If M Code not shown, then part is used on all Models)

Expanded Model Nomenclature:

Example
M1 - Model#1
M2 - Model#2
M3 - Model#3

Goodman Company, L.P. is not responsible for personal injury or property damage resulting from improper service. Review all service information before beginning repairs.

Warranty service must be performed by an authorized technician, using authorized factory parts. If service is required after the warranty expires, Goodman Company, L.P. also recommends contacting an authorized technician and using authorized factory parts.

Goodman Company, L.P. reserves the right to discontinue, or change at any time, specifications or designs without notice or without incurring obligations.

For assistance within the U.S.A. contact:

Homeowner Support
Goodman Company, L.P.
19001 Kermier Road
Waller, Texas 77484
877-254-4729-Telephone
713-863-2382-Facsimile

For assistance outside the U.S.A. contact:

International Division
Goodman Company, L.P.
19001 Kermier Road
Waller, Texas 77484
713-861-2500-Telephone
713-863-2382-Facsimile

Functional Parts

Part

No: Description:

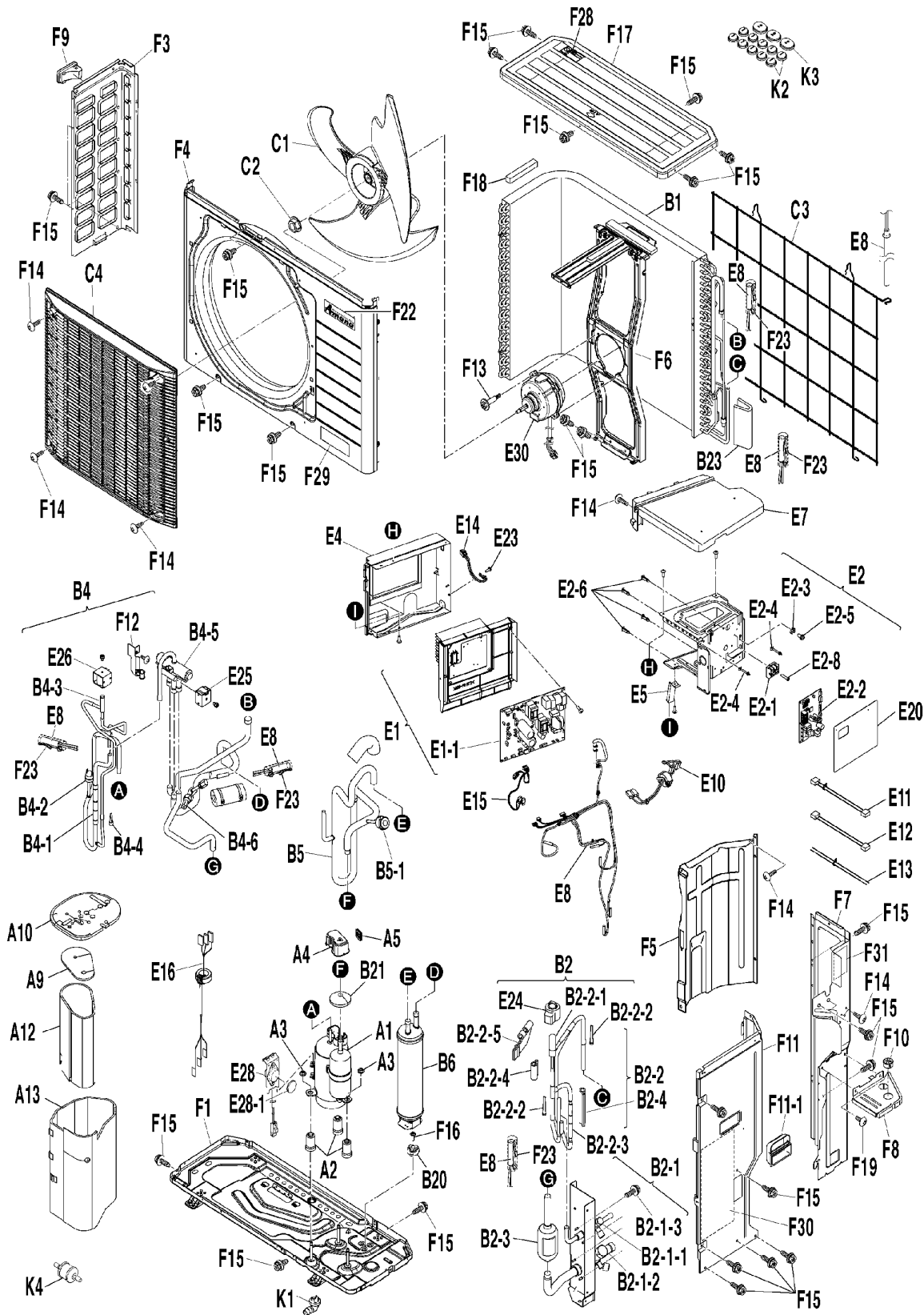
107638J	CHECK VALVE (M3, M4, M5, M6, M7)
151188J	CHECK VALVE (M1, M2, M3, M4)
038621J	CHECK VALVE (M1, M2, M5, M6, M7)
4025333	COMPRESSOR ASSY. (M5, M6)
4025334	COMPRESSOR ASSY. (M7)
2545130	COMPRESSOR ASSY. (M1, M2)
2545131	COMPRESSOR ASSY. (M3, M4)
4022882	DC FAN MOTOR (M5, M6, M7)
2545649	DC FAN MOTOR (M3, M4)
2545639	DC FAN MOTOR (M1, M2)
1721122	FUSIBLE PLUG
2534448	HIGH PRESSURE SWITCH
4022182	PRESSURE SENSOR (M5, M6, M7)
2545134	PRESSURE SENSOR (M1, M2, M3, M4)
2545138	PRINTED CIRCUIT BOARD ASSY. (M3, M4)
2545135	PRINTED CIRCUIT BOARD ASSY. (M1, M2)
2545136	PRINTED CIRCUIT BOARD ASSY. (M3, M4)
2546828	PRINTED CIRCUIT BOARD ASSY. (M5, M6)
2546830	PRINTED CIRCUIT BOARD ASSY. (M7)
2545137	PRINTED CIRCUIT BOARD ASSY. (CT) (M1, M2)
4022880	STOP VALVE (M5, M6, M7)

Expanded Model Nomenclature

M1 - ASZS601810AA
M2 - ASZS602410AA
M3 - ASZS603010AA
M4 - ASZS603610AA
M5 - ASZS604210AA
M6 - ASZS604810AA
M7 - ASZS606010AA

ASZS60[18-24]10

ASZS601810AA / ASZS602410AA



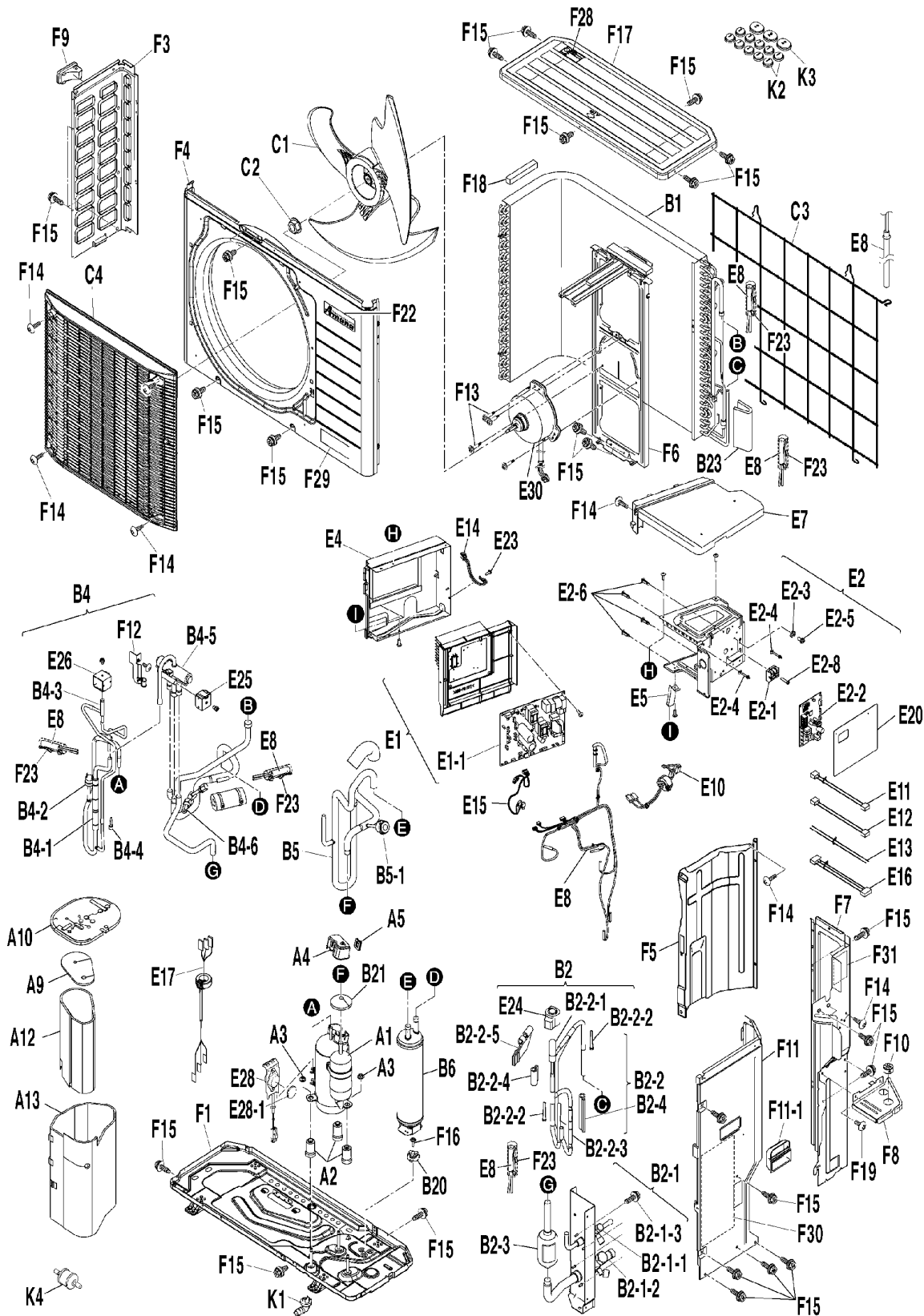
Ref No	Drawing No.
1	A1
2	A2
3	A3
4	A4
5	A5
6	A9
7	A10
8	A12
9	A13
10	B1
11	B2
12	B2-1
13	B2-1-1
14	B2-1-2
15	B2-1-3
16	B2-2
17	B2-2-1
18	B2-2-2
19	B2-2-3
20	B2-2-4
21	B2-2-5
22	B2-3
23	B2-4
24	B4
25	B4-1
26	B4-2
27	B4-3
28	B4-4
29	B4-5
30	B4-6
31	B5
32	B5-1
33	B6
34	B20
35	B21
36	B23
37	C1
38	C2
39	C3
40	C4
41	E1
42	E1-1
43	E2
44	E2-1
45	E2-2
46	E2-3
47	E2-4
48	E2-5
49	E2-6
50	E2-8
51	E4
52	E5
53	E7
54	E8
55	E10
56	E11
57	E12
58	E13
59	E14
60	E15
61	E16
62	E20
63	E23
64	E24
65	E25
66	E26
67	E28
68	E28-1
69	E30
70	F1
71	F3
72	F4
73	F5
74	F6
75	F7
76	F8
77	F9
78	F10
79	F11
80	F11-1
81	F12
82	F13
83	F14
84	F15
85	F16
86	F17
87	F18
88	F19
89	F22
90	F23
91	F28
92	F29
93	F30
94	F31
95	K1
96	K2
97	K3
98	K4

ASZS60[18-24]10

Ref. Part No: No:	Description:	Ref. Part No: No:	Description:							
Image 1:		Image 1:								
1	2545130 COMPRESSOR ASSY. (M1, M2)	55	2545140 WIRE HARNESS ASSY. (POWER) (M1, M2)							
2	128989J VIBRATION ABSORBER (M1, M2)	56	2545141 WIRE HARNESS ASSY. (CT POWER) (M1, M2)							
3	4010410 WASHER (NUT WITH WASHER) (M1, M2)	57	2545635 WIRE HARNESS ASSY. (ACS) (M1, M2)							
4	2425597 TERMINAL COVER (M1, M2)	58	2545636 WIRE HARNESS ASSY. (COMMUNICATION) (M1, M2)							
5	040139J RUBBER BUSH/ LEAD WIRE (M1, M2)	59	2545637 EARTH WIRE (M1, M2)							
6	2493893 SOUND INSULATION (INNER TOP) (M1, M2)	60	2545638 WIRE HARNESS ASSY. (HPS/OL) (M1, M2)							
7	2546974 SOUND INSULATION (OUTER TOP) (M1, M2)	61	2545142 WIRE HARNESS ASSY. (COMP.) (M1, M2)							
8	2493747 SOUND INSULATION (INNER BODY) (M1, M2)	62	2545657 INSULATION SHEET (M1, M2)							
9	2535322 SOUND INSULATION (OUTER BODY) (M1, M2)	63	113783J TAPPING SCREW (M1, M2)							
10	4025335 HEAT EXCHANGER ASSY. (M1, M2)	64	2545147 COIL / ELECTRONIC EXP. VALVE (M1, M2)							
11	NA STOP VALVE ASSY. (M1, M2)	65	2545148 FOUR WAY VALVE COIL (M1, M2)							
12	NA STOP VALVE ASSY. (M1, M2)	66	2534509 COIL/ SOLENOID VALVE (M1, M2)							
13	2493754 LIQUID STOP VALVE ASSY. (M1, M2)	67	2428510 OVERLOAD PROTECTOR (M1, M2)							
14	2545144 GAS STOP VALVE ASSY. (M1, M2)	68	2428527 RADIATION SHEET (M1, M2)							
15	109224J HEX. HEAD TAPPING SCREW (M1, M2)	69	2545639 DC FAN MOTOR (M1, M2)							
16	NA ELECTRONIC EXP. VALVE ASSY. (M1, M2)	70	2545642 BOTTOM FRAME ASSY. (M1, M2)							
17	2204606 BODY/ ELECTRONIC EXP. VALVE (SUBCOOL HEAT EXC.) (M1, M2)	71	4015619 SIDE PLATE (LEFT) (M1, M2)							
18	008529J STRAINER (FOR REF.) (M1, M2)	72	4015620 FRONT PLATE (M1, M2)							
19	151188J CHECK VALVE (M1, M2)	73	4015722 PARTITION PLATE (M1, M2)							
20	2535324 SOUNDPROOF PUTTY (M1, M2)	74	4020024 FAN MOTOR STAND ASSY. (M1, M2)							
21	2546975 SOUNDPROOF PUTTY (M1, M2)	75	2540384 REAR PLATE ASSY. (M1, M2)							
22	NA MUFFLER ASSY. (M1, M2)	76	2425681 CONDUIT MOUNTING PLATE ASSY. (M1, M2)							
23	2535318 SOUNDPROOF PUTTY (M1, M2)	77	4015625 HANDLE (LEFT) (M1, M2)							
24	NA FOUR WAY VALVE ASSY. (M1, M2)	78	2494098 WIRING PROTECTION BUSH (M1, M2)							
25	038621J CHECK VALVE (M1, M2)	79	2545153 RIGHT SIDE PLATE ASSY. (M1, M2)							
26	2534448 HIGH PRESSURE SWITCH (M1, M2)	80	2548908 HANDLE ASSY. (M1, M2)							
27	2165965 BODY/ SOLENOID VALVE (GAS RECEIVER) (M1, M2)	81	2535320 PIPING FIXTURE ASSY. (M1, M2)							
28	111167J STRAINER (M1, M2)	82	2120405 HEX TAPPING SCREW (3) (M1, M2)							
29	2455992 BODY/ FOUR WAY VALVE (M1, M2)	83	008203J TRUSS HEAD TAPPING SCREW (M1, M2)							
30	1721122 FUSIBLE PLUG (M1, M2)	84	109224J HEX HEAD TAPPING SCREW (M1, M2)							
31	NA SUCTION PIPE ASSY. (M1, M2)	85	1821022 TAPPING SCREW (M1, M2)							
32	2545134 PRESSURE SENSOR (M1, M2)	86	4015623 TOP PLATE ASSY. (M1, M2)							
33	2548907 ACCUMULATOR ASSY. (M1, M2)	87	4015634 CUSHION MATERIAL (HEAT EXCHANGER) (M1, M2)							
34	380116J CUSHION RUBBER/ ACCUMULATOR (M1, M2)	88	030990J TRUSS TAPPING SCREW (M1, M2)							
35	112853J VIBRATION ISOLATOR PUTTY (M1, M2)	89	2548909 BRAND NAME LABEL (M1, M2)							
36	1666085 SOUNDPROOF PUTTY (M1, M2)	90	042396J FITTING SPRING/ THERMISTOR (M1, M2)							
37	4016827 PROPELLER FAN ASSY. (M1, M2)	91	2534034 LABEL (M1, M2)							
38	847003J LOCK NUT/ FAN (M1, M2)	92	4023075 CAUTION LABEL (ROTATING) (M1, M2)							
39	2425643 PROTECTION NET (M1, M2)	93	NA COLLECTIVE INDICATIONS LABEL (M1, M2)							
40	4022196 DISCHARGE GRILLE ASSY. (M1, M2)	94	NA CAUTION LABEL (ELECTRIC SHOCK) (M1, M2)							
41	2545630 EL. COMPO. MOUNTING PLATE ASSY. (M1, M2)	95	058956J DRAIN JOINT (M1, M2)							
42	2545135 PRINTED CIRCUIT BOARD ASSY. (M1, M2)	96	2253709 CAP 1 (DRAIN) (M1, M2)							
43	NA EL. COMPO. BOX ASSY. (M1, M2)	97	2253716 CAP 2 (DRAIN) (M1, M2)							
44	4022185 TERMINAL BLOCK (M1, M2)	98	2545851 FILTER DRIER (M1, M2)							
45	2545137 PRINTED CIRCUIT BOARD ASSY. (CT) (M1, M2)	Expanded Model Nomenclature								
46	071124J CUP WASHER (M1, M2)	<table border="1"> <tr> <td>M1 - ASZS601810AA</td> </tr> <tr> <td>M2 - ASZS602410AA</td> </tr> <tr> <td>M3 - ASZS603010AA</td> </tr> <tr> <td>M4 - ASZS603610AA</td> </tr> <tr> <td>M5 - ASZS604210AA</td> </tr> <tr> <td>M6 - ASZS604810AA</td> </tr> <tr> <td>M7 - ASZS606010AA</td> </tr> </table>		M1 - ASZS601810AA	M2 - ASZS602410AA	M3 - ASZS603010AA	M4 - ASZS603610AA	M5 - ASZS604210AA	M6 - ASZS604810AA	M7 - ASZS606010AA
M1 - ASZS601810AA										
M2 - ASZS602410AA										
M3 - ASZS603010AA										
M4 - ASZS603610AA										
M5 - ASZS604210AA										
M6 - ASZS604810AA										
M7 - ASZS606010AA										
47	1233757 LOCKING CARD SPACER (M1, M2)									
48	119839J TAPPING SCREW (M1, M2)									
49	1728464 SPACER (PCB) (M1, M2)									
50	1796234 PAN HEAD TAPPING SCREW (M1, M2)									
51	NA EL. COMPO. BOX ASSY. (1) (M1, M2)									
52	2545634 STAY (M1, M2)									
53	2545643 EL. COMPO. BOX COVER ASSY. (M1, M2)									
54	2545146 THERMISTOR ASSY. (M1, M2)									

ASZS603010

ASZS603010AA



Ref No	Drawing No.
1	A1
2	A2
3	A3
4	A4
5	A5
6	A9
7	A10
8	A12
9	A13
10	B1
11	B2
12	B2-1
13	B2-1-1
14	B2-1-2
15	B2-1-3
16	B2-2
17	B2-2-1
18	B2-2-2
19	B2-2-3
20	B2-2-4
21	B2-2-5
22	B2-3
23	B2-4
24	B4
25	B4-1
26	B4-2
27	B4-3
28	B4-4
29	B4-5
30	B4-6
31	B5
32	B5-1
33	B6
34	B20
35	B21
36	B23
37	C1
38	C2
39	C3
40	C4
41	E1
42	E1-1
43	E2
44	E2-1
45	E2-2
46	E2-3
47	E2-4
48	E2-5
49	E2-6
50	E2-8
51	E4
52	E5
53	E7
54	E8
55	E10
56	E11
57	E12
58	E13
59	E14
60	E15
61	E16
62	E17
63	E20
64	E23
65	E24
66	E25
67	E26
68	E28
69	E28-1
70	E30
71	F1
72	F3
73	F4
74	F5
75	F6
76	F7
77	F8
78	F9
79	F10
80	F11
81	F11-1
82	F12
83	F13
84	F14
85	F15
86	F16
87	F17
88	F18
89	F19
90	F22
91	F23
92	F28
93	F29
94	F30
95	F31
96	K1
97	K2
98	K3
99	K4

ASZS603010

Ref. Part No:	Part No:	Description:	Ref. Part No:	Part No:	Description:
Image 1:			Image 1:		
1	2545131	COMPRESSOR ASSY. (M3)	56	2545141	WIRE HARNESS ASSY. (CT POWER) (M3)
2	128989J	VIBRATION ABSORBER (M3)	57	2545635	WIRE HARNESS ASSY. (ACS) (M3)
3	4010410	WASHER (NUT WITH WASHER) (M3)	58	2545636	WIRE HARNESS ASSY. (COMMUNICATION) (M3)
4	2425597	TERMINAL COVER (M3)	59	2545637	EARTH WIRE (M3)
5	040139J	RUBBER BUSH/ LEAD WIRE (M3)	60	2545638	WIRE HARNESS ASSY. (HPS/OL) (M3)
6	2493893	SOUND INSULATION (INNER TOP) (M3)	61	2545648	WIRE HARNESS ASSY. (FAN MOTOR RELAY) (M3)
7	2546974	SOUND INSULATION (OUTER TOP) (M3)			
8	2493747	SOUND INSULATION (INNER BODY) (M3)	62	2545142	WIRE HARNESS ASSY. (COMP.) (M3)
9	2535322	SOUND INSULATION (OUTER BODY) (M3)	63	2545657	INSULATION SHEET (M3)
10	4025335	HEAT EXCHANGER ASSY. (M3)	64	113783J	TAPPING SCREW (M3)
11	NA	STOP VALVE ASSY. (M3)	65	2545147	COIL / ELECTRONIC EXP. VALVE (M3)
12	NA	STOP VALVE ASSY. (M3)	66	2545148	FOUR WAY VALVE COIL (M3)
13	2493754	LIQUID STOP VALVE ASSY. (M3)	67	2534509	COIL/ SOLENOID VALVE (M3)
14	2545145	GAS STOP VALVE ASSY. (M3)	68	2428510	OVERLOAD PROTECTOR (M3)
15	109224J	HEX. HEAD TAPPING SCREW (M3)	69	2428527	RADIATION SHEET (M3)
16	NA	ELECTRONIC EXP. VALVE ASSY. (M3)	70	2545649	DC FAN MOTOR (M3)
17	2204606	BODY/ ELECTRONIC EXP. VALVE (SUBCOOL HEAT EXC.) (M3)	71	2545642	BOTTOM FRAME ASSY. (M3)
			72	4015619	SIDE PLATE (LEFT) (M3)
18	008529J	STRAINER (FOR REF.) (M3)	73	4015620	FRONT PLATE (M3)
19	151188J	CHECK VALVE (M3)	74	4015722	PARTITION PLATE (M3)
20	2535324	SOUNDPROOF PUTTY (M3)	75	2545650	FAN MOTOR STAND ASSY. (M3)
21	2546975	SOUNDPROOF PUTTY (M3)	76	2540384	REAR PLATE ASSY. (M3)
22	NA	MUFFLER ASSY. (M3)	77	2425681	CONDUIT MOUNTING PLATE ASSY. (M3)
23	2535318	SOUNDPROOF PUTTY (M3)	78	4015625	HANDLE (LEFT) (M3)
24	NA	FOUR WAY VALVE ASSY. (M3)	79	2494098	WIRING PROTECTION BUSH (M3)
25	107638J	CHECK VALVE (M3)	80	2545153	RIGHT SIDE PLATE ASSY. (M3)
26	2534448	HIGH PRESSURE SWITCH (M3)	81	2548908	HANDLE ASSY. (M3)
27	2165965	BODY/ SOLENOID VALVE (GAS RECEIVER) (M3)	82	2535320	PIPING FIXTURE ASSY. (M3)
28	111167J	STRAINER (M3)	83	2120405	HEX TAPPING SCREW (3) (M3)
29	2455992	BODY/ FOUR WAY VALVE (M3)	84	008203J	TRUSS HEAD TAPPING SCREW (M3)
30	1721122	FUSIBLE PLUG (M3)	85	109224J	HEX HEAD TAPPING SCREW (M3)
31	NA	SUCTION PIPE ASSY. (M3)	86	1821022	TAPPING SCREW (M3)
32	2545134	PRESSURE SENSOR (M3)	87	4015623	TOP PLATE ASSY. (M3)
33	2548907	ACCUMULATOR ASSY. (M3)	88	4015634	CUSHION MATERIAL (HEAT EXCHANGER) (M3)
34	380116J	CUSHION RUBBER/ ACCUMULATOR (M3)	89	030990J	TRUSS TAPPING SCREW (M3)
35	112853J	VIBRATION ISOLATOR PUTTY (M3)	90	2548909	BRAND NAME LABEL (M3)
36	1666085	SOUNDPROOF PUTTY (M3)	91	042396J	FITTING SPRING/ THERMISTOR (M3)
37	4016827	PROPELLER FAN ASSY. (M3)	92	2534034	LABEL (M3)
38	847003J	LOCK NUT/ FAN (M3)	93	4023075	CAUTION LABEL (ROTATING) (M3)
39	2425643	PROTECTION NET (M3)	94	NA	COLLECTIVE INDICATIONS LABEL (M3)
40	4022196	DISCHARGE GRILLE ASSY. (M3)	95	NA	CAUTION LABEL (ELECTRIC SHOCK) (M3)
41	2545645	EL. COMPO. MOUNTING PLATE ASSY. (M3)	96	058956J	DRAIN JOINT (M3)
42	2545136	PRINTED CIRCUIT BOARD ASSY. (M3)	97	2253709	CAP 1 (DRAIN) (M3)
43	NA	EL. COMPO. BOX ASSY. (M3)	98	2253716	CAP 2 (DRAIN) (M3)
44	4022185	TERMINAL BLOCK (M3)	99	2545851	FILTER DRIER (M3)
45	2545138	PRINTED CIRCUIT BOARD ASSY. (M3)			
46	071124J	CUP WASHER (M3)			
47	1233757	LOCKING CARD SPACER (M3)			
48	119839J	TAPPING SCREW (M3)			
49	1728464	SPACER (PCB) (M3)			
50	1796234	PAN HEAD TAPPING SCREW (M3)			
51	NA	EL. COMPO. BOX ASSY. (1) (M3)			
52	2545634	STAY (M3)			
53	2545643	EL. COMPO. BOX COVER ASSY. (M3)			
54	2545146	THERMISTOR ASSY. (M3)			
55	2545140	WIRE HARNESS ASSY. (POWER) (M3)			

Expanded Model Nomenclature

M1 - ASZS601810AA
M2 - ASZS602410AA
M3 - ASZS603010AA
M4 - ASZS603610AA
M5 - ASZS604210AA
M6 - ASZS604810AA
M7 - ASZS606010AA

ASZS603610

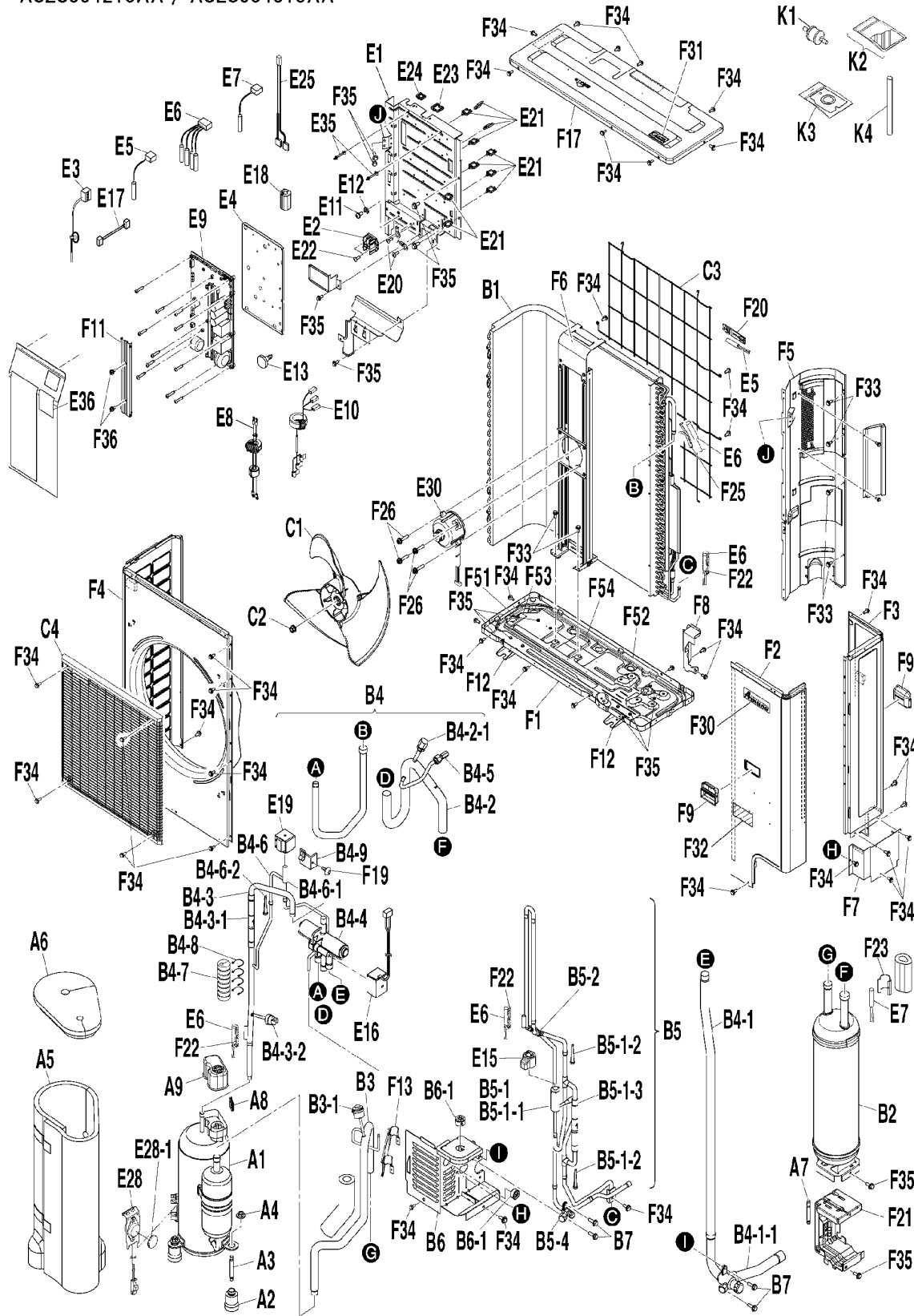
Ref. Part No:	Part No:	Description:	Ref. Part No:	Part No:	Description:
Image 1:			Image 1:		
1	2545131	COMPRESSOR ASSY. (M4)	56	2545141	WIRE HARNESS ASSY. (CT POWER) (M4)
2	128989J	VIBRATION ABSORBER (M4)	57	2545635	WIRE HARNESS ASSY. (ACS) (M4)
3	4010410	WASHER (NUT WITH WASHER) (M4)	58	2545636	WIRE HARNESS ASSY. (COMMUNICATION) (M4)
4	2425597	TERMINAL COVER (M4)	59	2545637	EARTH WIRE (M4)
5	040139J	RUBBER BUSH/ LEAD WIRE (M4)	60	2545638	WIRE HARNESS ASSY. (HPS/OL) (M4)
6	2493893	SOUND INSULATION (INNER TOP) (M4)	61	2545648	WIRE HARNESS ASSY. (FAN MOTOR RELAY) (M4)
7	2546974	SOUND INSULATION (OUTER TOP) (M4)			
8	2493747	SOUND INSULATION (INNER BODY) (M4)	62	2545142	WIRE HARNESS ASSY. (COMP.) (M4)
9	2535322	SOUND INSULATION (OUTER BODY) (M4)	63	2545657	INSULATION SHEET (M4)
10	2545132	HEAT EXCHANGER ASSY. (M4)	64	113783J	TAPPING SCREW (M4)
11	NA	STOP VALVE ASSY. (M4)	65	2545147	COIL / ELECTRONIC EXP. VALVE (M4)
12	NA	STOP VALVE ASSY. (M4)	66	2545148	FOUR WAY VALVE COIL (M4)
13	2493754	LIQUID STOP VALVE ASSY. (M4)	67	2534509	COIL/ SOLENOID VALVE (M4)
14	2545145	GAS STOP VALVE ASSY. (M4)	68	2428510	OVERLOAD PROTECTOR (M4)
15	109224J	HEX. HEAD TAPPING SCREW (M4)	69	2428527	RADIATION SHEET (M4)
16	NA	ELECTRONIC EXP. VALVE ASSY. (M4)	70	2545649	DC FAN MOTOR (M4)
17	2204606	BODY/ ELECTRONIC EXP. VALVE (SUBCOOL HEAT EXC.) (M4)	71	2545642	BOTTOM FRAME ASSY. (M4)
			72	4015619	SIDE PLATE (LEFT) (M4)
18	008529J	STRAINER (FOR REF.) (M4)	73	4015620	FRONT PLATE (M4)
19	151188J	CHECK VALVE (M4)	74	4015722	PARTITION PLATE (M4)
20	2535324	SOUNDPROOF PUTTY (M4)	75	2545658	FAN MOTOR STAND ASSY. (M4)
21	2546975	SOUNDPROOF PUTTY (M4)	76	2540384	REAR PLATE ASSY. (M4)
22	NA	MUFFLER ASSY. (M4)	77	2425681	CONDUIT MOUNTING PLATE ASSY. (M4)
23	2535318	SOUNDPROOF PUTTY (M4)	78	4015625	HANDLE (LEFT) (M4)
24	NA	FOUR WAY VALVE ASSY. (M4)	79	2494098	WIRING PROTECTION BUSH (M4)
25	107638J	CHECK VALVE (M4)	80	2545153	RIGHT SIDE PLATE ASSY. (M4)
26	2534448	HIGH PRESSURE SWITCH (M4)	81	2548908	HANDLE ASSY. (M4)
27	2165965	BODY/ SOLENOID VALVE (GAS RECEIVER) (M4)	82	2535320	PIPING FIXTURE ASSY. (M4)
28	111167J	STRAINER (M4)	83	2120405	HEX TAPPING SCREW (3) (M4)
29	2455992	BODY/ FOUR WAY VALVE (M4)	84	008203J	TRUSS HEAD TAPPING SCREW (M4)
30	1721122	FUSIBLE PLUG (M4)	85	109224J	HEX HEAD TAPPING SCREW (M4)
31	NA	SUCTION PIPE ASSY. (M4)	86	1821022	TAPPING SCREW (M4)
32	2545134	PRESSURE SENSOR (M4)	87	4015623	TOP PLATE ASSY. (M4)
33	2548907	ACCUMULATOR ASSY. (M4)	88	4015634	CUSHION MATERIAL (HEAT EXCHANGER) (M4)
34	380116J	CUSHION RUBBER/ ACCUMULATOR (M4)	89	030990J	TRUSS TAPPING SCREW (M4)
35	112853J	VIBRATION ISOLATOR PUTTY (M4)	90	2548909	BRAND NAME LABEL (M4)
36	1666085	SOUNDPROOF PUTTY (M4)	91	042396J	FITTING SPRING/ THERMISTOR (M4)
37	4016827	PROPELLER FAN ASSY. (M4)	92	2534034	LABEL (M4)
38	847003J	LOCK NUT/ FAN (M4)	93	4023075	CAUTION LABEL (ROTATING) (M4)
39	2425643	PROTECTION NET (M4)	94	NA	COLLECTIVE INDICATIONS LABEL (M4)
40	4022196	DISCHARGE GRILLE ASSY. (M4)	95	NA	CAUTION LABEL (ELECTRIC SHOCK) (M4)
41	2545645	EL. COMPO. MOUNTING PLATE ASSY. (M4)	96	058956J	DRAIN JOINT (M4)
42	2545136	PRINTED CIRCUIT BOARD ASSY. (M4)	97	2253709	CAP 1 (DRAIN) (M4)
43	NA	EL. COMPO. BOX ASSY. (M4)	98	2253716	CAP 2 (DRAIN) (M4)
44	4022185	TERMINAL BLOCK (M4)	99	2545851	FILTER DRIER (M4)
45	2545138	PRINTED CIRCUIT BOARD ASSY. (M4)			
46	071124J	CUP WASHER (M4)			
47	1233757	LOCKING CARD SPACER (M4)			
48	119839J	TAPPING SCREW (M4)			
49	1728464	SPACER (PCB) (M4)			
50	1796234	PAN HEAD TAPPING SCREW (M4)			
51	NA	EL. COMPO. BOX ASSY. (1) (M4)			
52	2545634	STAY (M4)			
53	2545643	EL. COMPO. BOX COVER ASSY. (M4)			
54	2545146	THERMISTOR ASSY. (M4)			
55	2545140	WIRE HARNESS ASSY. (POWER) (M4)			

Expanded Model Nomenclature

M1 - ASZS601810AA
M2 - ASZS602410AA
M3 - ASZS603010AA
M4 - ASZS603610AA
M5 - ASZS604210AA
M6 - ASZS604810AA
M7 - ASZS606010AA

ASZS60[42-48]10

ASZS604210AA / ASZS604810AA



Ref No	Drawing No.
1	A1
2	A2
3	A3
4	A4
5	A5
6	A6
7	A7
8	A8
9	A9
10	B1
11	B2
12	B3
13	B3-1
14	B4
15	B4-1
16	B4-1-1
17	B4-2
18	B4-2-1
19	B4-3
20	B4-3-1
21	B4-3-2
22	B4-4
23	B4-5
24	B4-6
25	B4-6-1
26	B4-6-2
27	B4-7
28	B4-8
29	B4-9
30	B5
31	B5-1
32	B5-1-1
33	B5-1-2
34	B5-1-3
35	B5-2
36	B5-4
37	B6
38	B6-1
39	B7
40	C1
41	C2
42	C3
43	C4
44	E1
45	E2
46	E3
47	E4
48	E5
49	E6
50	E7
51	E8
52	E9
53	E10
54	E11
55	E12
56	E13
57	E14
58	E15
59	E16
60	E17
61	E18
62	E19
63	E20
64	E21
65	E22
66	E23
67	E24
68	E25
69	E26-1
70	E27
71	E28
72	E28-1
73	F1
74	F2
75	F3
76	F4
77	F5
78	F6
79	F7
80	F8
81	F9
82	F10
83	F11
84	F12
85	F13
86	F14
87	F15
88	F16
89	F17
90	F18
91	F19
92	F20
93	F21
94	F22
95	F23
96	F24
97	F25
98	F26
99	F27
100	F28
101	F29
102	F30
103	F31
104	F32
105	F33
106	F34
107	F35
	K1
	K2
	K3
	K4

ASZS60[42-48]10

Ref. Part No: No:	Description:	Ref. Part No: No:	Description:
Image 1:		Image 1:	
1	4025333 COMPRESSOR ASSY. (M5, M6)	54	119839J TAPPING SCREW (M5, M6)
2	2274364 RUBBER VIBRATION ISOLATOR ASSY. (M5, M6)	55	071124J CUP WASHER (M5, M6)
3	2119809 COMPRESSOR MOUNTING BOLT (M5, M6)	56	2494687 RIVET (M5, M6)
4	4010410 WASHER (NUT WITH WASHER) (M5, M6)	57	2493956 COIL/ ELECTRONIC EXP. VALVE (M5, M6)
5	2493918 COMPRESSOR SOUNDPROOF (M5, M6)	58	2493855 COIL/ FOUR WAY VALVE (M5, M6)
6	4024830 SOUND ABSORBING MATERIAL (M5, M6)	59	2493963 WIRE HARNESS ASSY. (PCB-OL CONNECTION) (M5, M6)
7	076850J SET BOLT/ COMPRESSOR (M5, M6)		
8	040139J RUBBER BUSH/ LEAD WIRE (M5, M6)	60	5009491 FERRITE CORE (M5, M6)
9	2425597 TERMINAL COVER (M5, M6)	61	2534509 COIL/ SOLENOID VALVE (M5, M6)
10	2534505 HEAT EXCHANGER ASSY. (M5, M6)	62	113783J TAPPING SCREW (M5, M6)
11	2425737 ACCUMULATOR ASSY. (M5, M6)	63	352004 WIRE CLIP (M5, M6)
12	NA SUCTION PIPE ASSY. (M5, M6)	64	827920J TAPPING SCREW (M5, M6)
13	4022182 PRESSURE SENSOR (M5, M6)	65	099951J EDGE SADDLE (M5, M6)
14	NA FOUR WAY VALVE ASSY. (M5, M6)	66	094708J EDGE SADDLE (M5, M6)
15	NA GAS STOP VALVE ASSY. (M5, M6)	67	2534508 WIRE HARNESS ASSY. (HPS) (M5, M6)
16	4022880 STOP VALVE (M5, M6)	68	2433017 RETAINER ASSY. (M5, M6)
17	NA SUCTION PIPE ASSY. (1) (M5, M6)	69	2428527 RADIATION SHEET (M5, M6)
18	094867J SERVICING PORT ASSY. (M5, M6)	70	4022882 DC FAN MOTOR (M5, M6)
19	NA DISCHARGE PIPE ASSY. (M5, M6)	71	1233757 LOCKING CARD SPACER (M5, M6)
20	107638J CHECK VALVE (M5, M6)	72	NA CAUTION LABEL (ELECTRIC SHOCK) (M5, M6)
21	2534448 HIGH PRESSURE SWITCH (M5, M6)	73	2549711 BOTTOM FRAME (M5, M6)
22	1858062 BODY/ FOUR WAY VALVE (M5, M6)	74	2493970 FRONT PLATE (2) (M5, M6)
23	1721122 FUSIBLE PLUG (M5, M6)	75	2493987 SIDE PLATE (RIGHT) (M5, M6)
24	NA REFRIGERANT PIPE ASSY. (HOT GAS) (M5, M6)	76	2493994 FRONT PLATE (1) (M5, M6)
25	2165965 BODY/ SOLENOID VALVE (GAS RECEIVER) (M5, M6)	77	2425814 PARTITION PLATE ASSY. (M5, M6)
		78	4020063 FAN MOTOR STAND ASSY. (M5, M6)
26	111167J STRAINER (M5, M6)	79	2494005 SIDE COVER (M5, M6)
27	980752J PIPING WEIGHT (M5, M6)	80	2425845 REAR COVER (M5, M6)
28	980761J WEIGHT CLIP (M5, M6)	81	092045J HANDLE (M5, M6)
29	2535326 PIPING FIXTURE ASSY. (M5, M6)	82	4020038 COVER (M5, M6)
30	NA ELECTRONIC EXP. VALVE ASSY. (M5, M6)	83	4009049 ANCHOR PLATE (M5, M6)
31	NA ELECTRONIC EXP. VALVE ASSY. (2) (M5, M6)	84	2535327 PIPING FIXTURE ASSY. (M5, M6)
32	2204606 BODY/ ELECTRONIC EXP. VALVE (SUBCOOL HEAT EXC.) (M5, M6)	85	2494012 TOP PLATE (M5, M6)
		86	NA HEAD MACHINE SCREW (M5, M6)
33	008529J STRAINER (FOR REF.) (M5, M6)	87	157132J THERMISTOR FIXING PLATE (M5, M6)
34	038621J CHECK VALVE (M5, M6)	88	4008212 MOUNTING PLATE (M5, M6)
35	2433132 PIPING FIXTURE (M5, M6)	89	042396J FITTING SPRING/ THERMISTOR (M5, M6)
36	2494649 LIQUID STOP VALVE ASSY. (M5, M6)	90	2031411 FEELER BULB CLAMP (M5, M6)
37	2494656 STOP VALVE MOUNTING PLATE (M5, M6)	91	007432J RETAINER/ THERMISTOR CLAMP (M5, M6)
38	2494098 WIRING PROTECTION BUSH (M5, M6)	92	2120405 HEX TAPPING SCREW (3) (M5, M6)
39	162753J SCREW/ C TIGHT CUP (M5, M6)	93	2548909 BRAND NAME LABEL (M5, M6)
40	1864005 FAN BLADE (M5, M6)	94	2534034 LABEL (M5, M6)
41	847003J LOCK NUT/ FAN (M5, M6)	95	4023075 CAUTION LABEL (ROTATING) (M5, M6)
42	2425744 SUCTION GRILLE ASSY. (M5, M6)	96	1905191 HEX HEAD TAPPING (M5, M6)
43	2545655 DISCHARGE GRILLE ASSY. (M5, M6)	97	049594J HEX HEAD TAPPING SCREW (M5, M6)
44	2546825 EL. COMPO. MOUNTING PLATE (M5, M6)	98	131453J TRUSS HEAD TAPPING SCREW (M5, M6)
45	2425751 TERMINAL BLOCK (M5, M6)	99	4016867 HEX BOLT (M5, M6)
46	2425768 WIRE HARNESS ASSY. (FOR COMMUNICATION) (M5, M6)	100	2494029 CUSHION RUBBER (1) (M5, M6)
		101	2494036 CUSHION RUBBER (2) (M5, M6)
47	2534582 INSULATION SHEET (M5, M6)	102	2494043 CUSHION RUBBER (3) (M5, M6)
48	2425775 THERMISTOR (AIR) (M5, M6)	103	2494050 CUSHION RUBBER (5) (M5, M6)
49	2493932 THERMISTOR ASSY. (M5, M6)	104	2545851 FILTER DRIER (M5, M6)
50	2425799 THERMISTOR (SUCTION) (M5, M6)	105	2494067 GREASE ASSY. (M5, M6)
51	2493949 WIRE HARNESS ASSY. (POWER) (M5, M6)	106	NA PATCH PLATE ASSY. (M5, M6)
52	2546828 PRINTED CIRCUIT BOARD ASSY. (M5, M6)	107	2223506 ELECTRIC INSULATION (M5, M6)
53	2545654 WIRE HARNESS ASSY. (COMP.) (M5, M6)		

ASZS60[42-48]10

Ref. Part

No: No:

Description:

Ref. Part

No: No:

Description:

Expanded Model Nomenclature

M1 - ASZS601810AA

M2 - ASZS602410AA

M3 - ASZS603010AA

M4 - ASZS603610AA

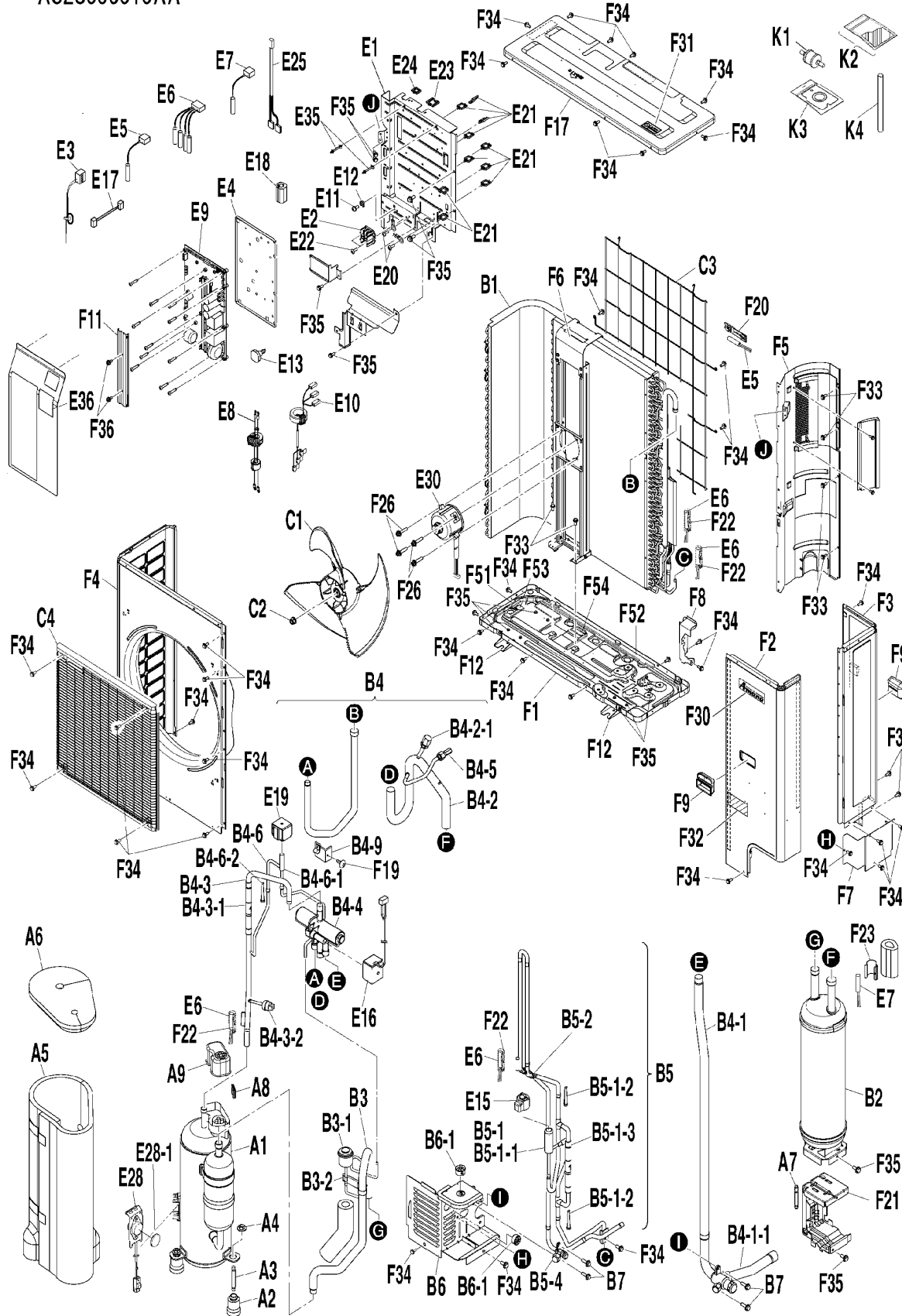
M5 - ASZS604210AA

M6 - ASZS604810AA

M7 - ASZS606010AA

ASZS606010

ASZS606010AA



Ref No	Drawing No.
1	A1
2	A2
3	A3
4	A4
5	A5
6	A6
7	A7
8	A8
9	A9
10	B1
11	B2
12	B3
13	B3-1
14	B3-2
15	B4
16	B4-1
17	B4-1-1
18	B4-2
19	B4-2-1
20	B4-3
21	B4-3-1
22	B4-3-2
23	B4-4
24	B4-5
25	B4-6
26	B4-6-1
27	B4-6-2
28	B4-9
29	B5
30	B5-1
31	B5-1-1
32	B5-1-2
33	B5-1-3
34	B5-2
35	B5-4
36	B6
37	B6-1
38	B7
39	C1
40	C2
41	C3
42	C4
43	E1
44	E2
45	E3
46	E4
47	E5
48	E6
49	E7
50	E8
51	E9
52	E10
53	E11
54	E12
55	E13
56	E15
57	E16
58	E17
59	E18
60	E19
61	E20
62	E21
63	E22
64	E23
65	E24
66	E25
67	E28
68	E28-1
69	E30
70	E35
71	E36
72	F1
73	F2
74	F3
75	F4
76	F5
77	F6
78	F7
79	F8
80	F9
81	F11
82	F12
83	F17
84	F19
85	F20
86	F21
87	F22
88	F23
89	F26
90	F30
91	F31
92	F32
93	F33
94	F34
95	F35
96	F36
97	F51
98	F52
99	F53
100	F54
101	K1
102	K2
103	K3
104	K4

ASZS606010

Ref. Part No:	Ref. Part No:	Description:	Description:
Image 1:		Image 1:	
1	4025334	COMPRESSOR ASSY. (M7)	55 2494687 RIVET (M7)
2	2274364	RUBBER VIBRATION ISOLATOR ASSY. (M7)	56 2493956 COIL/ ELECTRONIC EXP. VALVE (M7)
3	2119809	COMPRESSOR MOUNTING BOLT (M7)	57 2493855 COIL/ FOUR WAY VALVE (M7)
4	4010410	WASHER (NUT WITH WASHER) (M7)	58 2493963 WIRE HARNESS ASSY. (PCB-OL CONNECTION) (M7)
5	2493918	COMPRESSOR SOUNDPROOF (M7)	
6	4024830	SOUND ABSORBING MATERIAL (M7)	59 5009491 FERRITE CORE (M7)
7	076850J	SET BOLT/ COMPRESSOR (M7)	60 2534509 COIL/ SOLENOID VALVE (M7)
8	040139J	RUBBER BUSH/ LEAD WIRE (M7)	61 113783J TAPPING SCREW (M7)
9	2425597	TERMINAL COVER (M7)	62 352004 WIRE CLIP (M7)
10	4025338	HEAT EXCHANGER ASSY. (M7)	63 827920J TAPPING SCREW (M7)
11	2425737	ACCUMULATOR ASSY. (M7)	64 099951J EDGE SADDLE (M7)
12	NA	SUCTION PIPE ASSY. (M7)	65 094708J EDGE SADDLE (M7)
13	4022182	PRESSURE SENSOR (M7)	66 2534508 WIRE HARNESS ASSY. (HPS) (M7)
14	2535329	PIPING FIXTURE ASSY. (M7)	67 2433017 RETAINER ASSY. (M7)
15	NA	FOUR WAY VALVE ASSY. (M7)	68 2428527 RADIATION SHEET (M7)
16	NA	GAS STOP VALVE ASSY. (M7)	69 4022882 DC FAN MOTOR (M7)
17	4022880	STOP VALVE (M7)	70 1233757 LOCKING CARD SPACER (M7)
18	NA	SUCTION PIPE ASSY. (1) (M7)	71 NA CAUTION LABEL (ELECTRIC SHOCK) (M7)
19	094867J	SERVICING PORT ASSY. (M7)	72 2549710 BOTTOM FRAME (M7)
20	NA	DISCHARGE PIPE ASSY. (M7)	73 2493970 FRONT PLATE (2) (M7)
21	107638J	CHECK VALVE (M7)	74 2493987 SIDE PLATE (RIGHT) (M7)
22	2534448	HIGH PRESSURE SWITCH (M7)	75 2493994 FRONT PLATE (1) (M7)
23	1858062	BODY/ FOUR WAY VALVE (M7)	76 2425814 PARTITION PLATE ASSY. (M7)
24	1721122	FUSIBLE PLUG (M7)	77 2425852 FAN MOTOR STAND ASSY. (M7)
25	NA	REFRIGERANT PIPE ASSY. (HOT GAS) (M7)	78 2494005 SIDE COVER (M7)
26	2165965	BODY/ SOLENOID VALVE (GAS RECEIVER) (M7)	79 2425845 REAR COVER (M7)
27	111167J	STRAINER (M7)	80 092045J HANDLE (M7)
28	2535326	PIPING FIXTURE ASSY. (M7)	81 4020038 COVER (M7)
29	NA	ELECTRONIC EXP. VALVE ASSY. (M7)	82 4009049 ANCHOR PLATE (M7)
30	NA	ELECTRONIC EXP. VALVE ASSY. (2) (M7)	83 2494012 TOP PLATE (M7)
31	2204606	BODY/ ELECTRONIC EXP. VALVE (SUBCOOL HEAT EXC.) (M7)	84 NA HEAD MACHINE SCREW (M7)
			85 157132J THERMISTOR FIXING PLATE (M7)
32	008529J	STRAINER (FOR REF.) (M7)	86 4008212 MOUNTING PLATE (M7)
33	038621J	CHECK VALVE (M7)	87 042396J FITTING SPRING/ THERMISTOR (M7)
34	2433132	PIPING FIXTURE (M7)	88 2031411 FEELER BULB CLAMP (M7)
35	2494649	LIQUID STOP VALVE ASSY. (M7)	89 2120405 HEX TAPPING SCREW (3) (M7)
36	2494656	STOP VALVE MOUNTING PLATE (M7)	90 2548909 BRAND NAME LABEL (M7)
37	2494098	WIRING PROTECTION BUSH (M7)	91 2534034 LABEL (M7)
38	162753J	SCREW/ C TIGHT CUP (M7)	92 4023075 CAUTION LABEL (ROTATING) (M7)
39	1864005	FAN BLADE (M7)	93 1905191 HEX HEAD TAPPING (M7)
40	847003J	LOCK NUT/ FAN (M7)	94 049594J HEX HEAD TAPPING SCREW (M7)
41	2425744	SUCTION GRILLE ASSY. (M7)	95 131453J TRUSS HEAD TAPPING SCREW (M7)
42	2545655	DISCHARGE GRILLE ASSY. (M7)	96 4016867 HEX BOLT (M7)
43	2546825	EL. COMPO. MOUNTING PLATE (M7)	97 2494029 CUSHION RUBBER (1) (M7)
44	2425751	TERMINAL BLOCK (M7)	98 2494036 CUSHION RUBBER (2) (M7)
45	2425768	WIRE HARNESS ASSY. (FOR COMMUNICATION) (M7)	99 2494043 CUSHION RUBBER (3) (M7)
			100 2494081 CUSHION RUBBER (4) (M7)
46	2534582	INSULATION SHEET (M7)	101 2545851 FILTER DRIER (M7)
47	2425775	THERMISTOR (AIR) (M7)	102 2494067 GREASE ASSY. (M7)
48	2493932	THERMISTOR ASSY. (M7)	103 NA PATCH PLATE ASSY. (M7)
49	2425799	THERMISTOR (SUCTION) (M7)	104 2223506 ELECTRIC INSULATION (M7)
50	2493949	WIRE HARNESS ASSY. (POWER) (M7)	
51	2546830	PRINTED CIRCUIT BOARD ASSY. (M7)	
52	2545654	WIRE HARNESS ASSY. (COMP.) (M7)	
53	119839J	TAPPING SCREW (M7)	
54	071124J	CUP WASHER (M7)	

ASZS606010

Ref. Part

No: No:

Description:

Ref. Part

No: No:

Description:

Expanded Model Nomenclature

M1 - ASZS601810AA

M2 - ASZS602410AA

M3 - ASZS603010AA

M4 - ASZS603610AA

M5 - ASZS604210AA

M6 - ASZS604810AA

M7 - ASZS606010AA